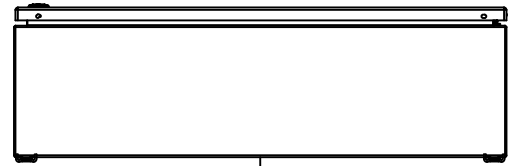
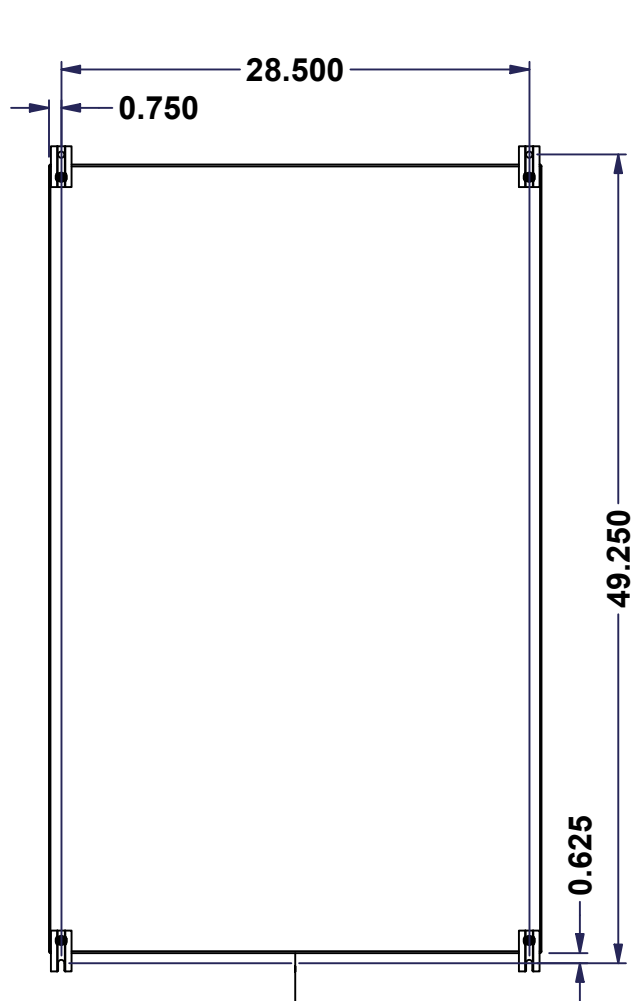


This drawing is confidential and must not be reproduced or used without the consent of EXM

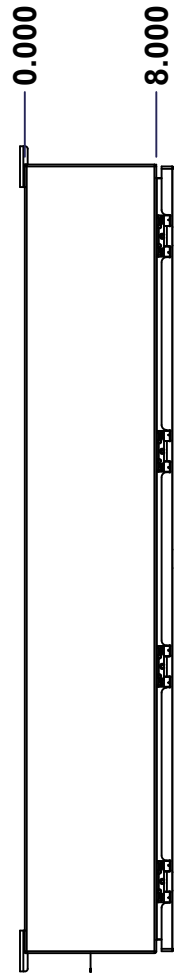
Ce dessin est confidentiel et ne doit pas être reproduit ou utilisé sans le consentement de EXM



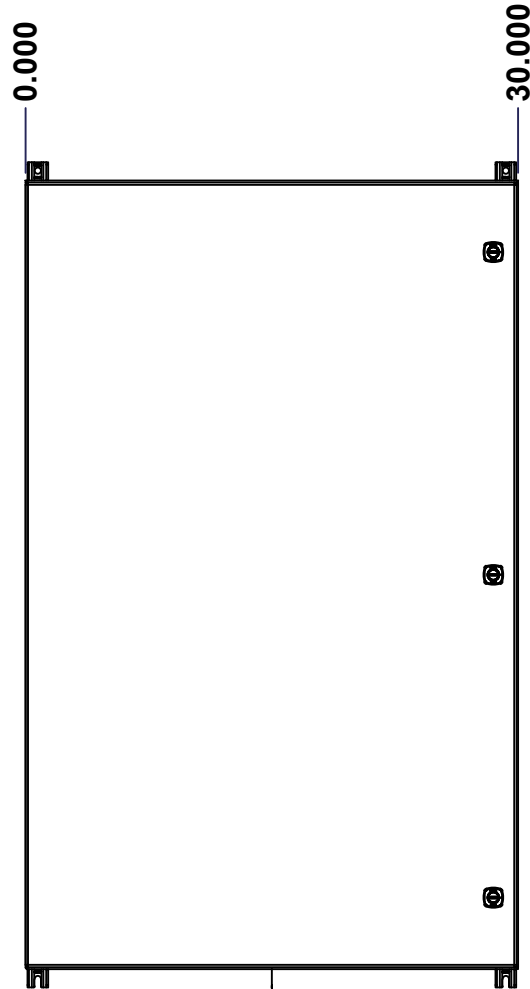
TOP



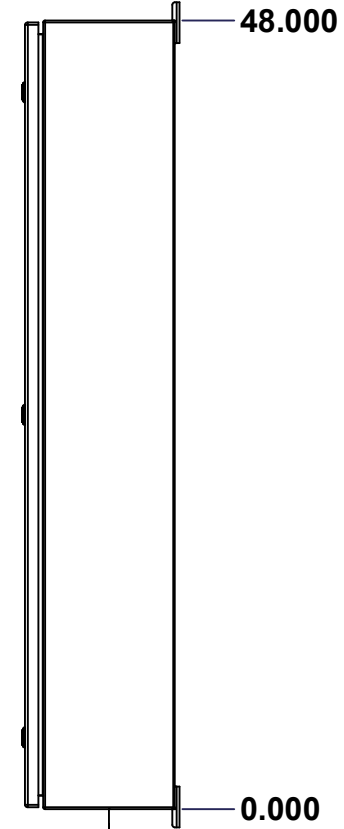
BACK



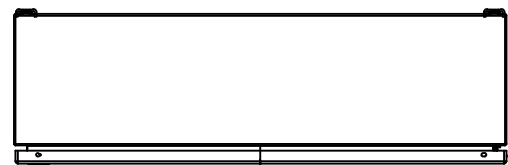
LEFT



FRONT

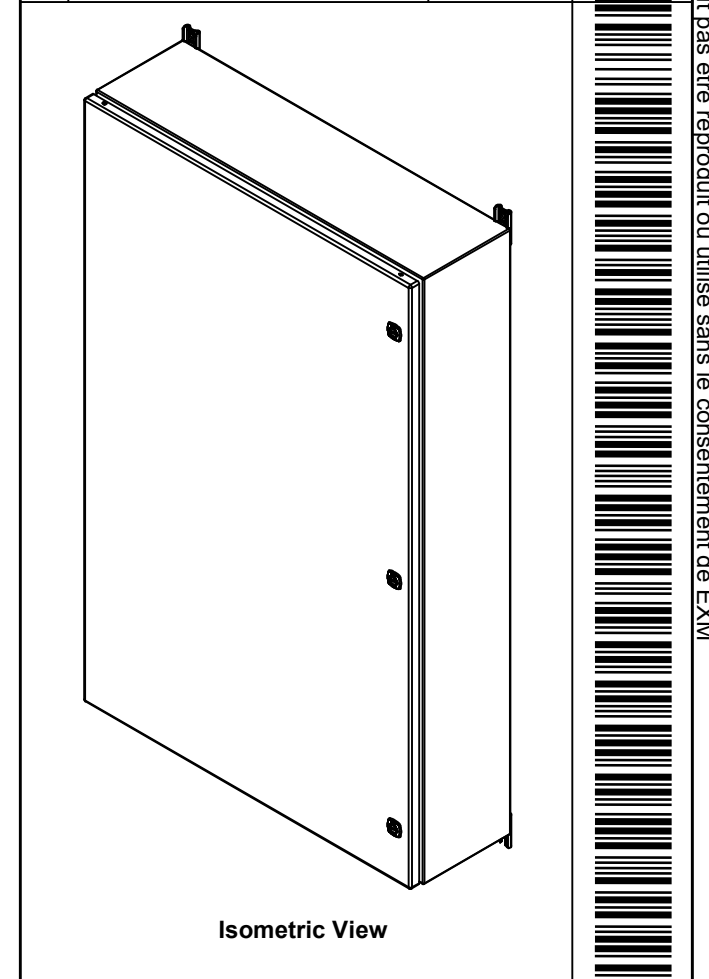


RIGHT



BOTTOM

| No. | Revisions | Date | By/Par |
|-----|-----------|------|--------|
| | | | |
| | | | |
| | | | |
| | | | |



Isometric View



| | | |
|--|-----------------------------------|--|
| Tél: (450) 979-4373 Fax: (450) 979-4626 www.exmweb.com | | Flatness Aplatissement Max 3.0mm Projection |
| Customer Client | Date | |
| Drawn By Dessiné Par | BoxCad: BoxCad | Date 04-May-23 |
| Material Matière | 14 Ga Stainless Steel 316 (1.7mm) | |
| Color Couleur | Asa-61 Grey | Finish Fini Smooth |
| Description | Detail Rev. | |
| 5412ESSP 48" x 30" x 8" Assembly | | |
| Part Number Numéro Pièce | Rev. 0 | 1 / 16 |

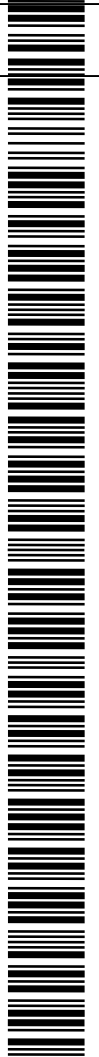
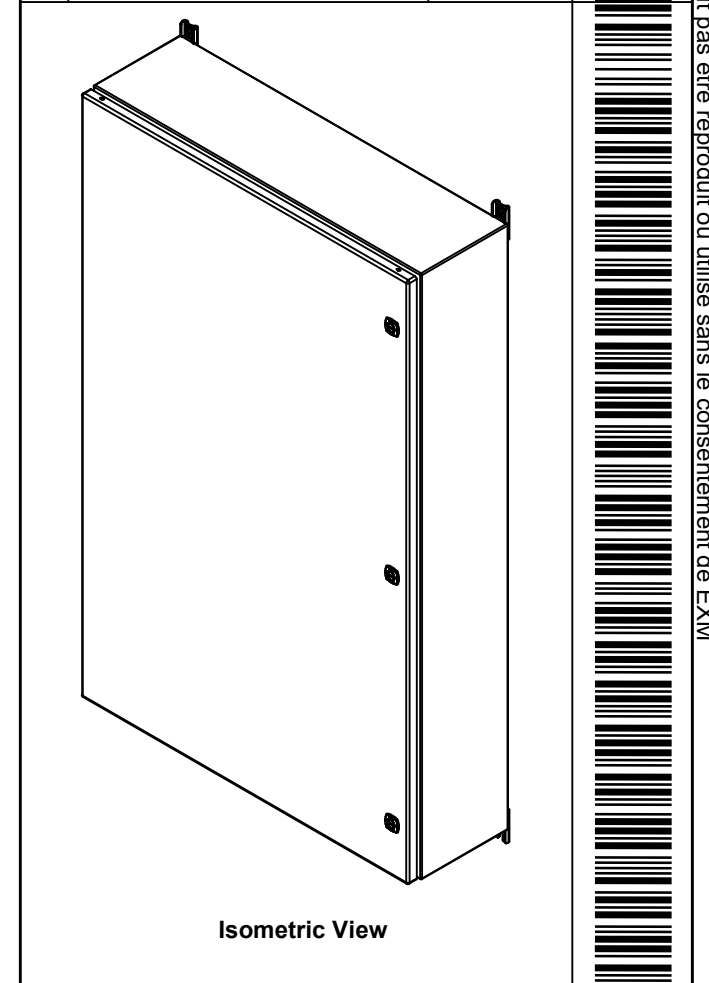
SEE BILL OF MATERIAL ON LAST PAGE 5412ESSP4830086THNOIP

This drawing is confidential and must not be reproduced or used without the consent of EXM

Ce dessin est confidentiel et ne doit pas être reproduit ou utilisé sans le consentement de EXM


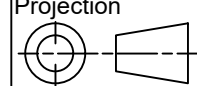
| NOTE | |
|------|---|
| ITEM | DESCRIPTION |
| 1 | NEMA 4X Enclosure |
| 2 | C/W Standard ground studs on box and cover |
| 3 | C/W Standard door stiffener |
| 4 | W/O Inner panel |
| 5 | C/W Standard inner panel mounting studs |
| 6 | C/W 885 ESMF4_CLOSE Sold separately (Installed) |
| 7 | C/W Special locks sold separately (Installed) |
| 8 | C/W 885 ESMF4_OPEN Sold separately (Installed) |
| 9 | C/W R5 Insulation (Installed by EXM) |

| No. | Revisions | Date | By/Par |
|-----|-----------|------|--------|
| | | | |
| | | | |
| | | | |
| | | | |
| | | | |



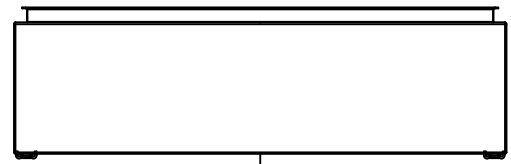
| PACKING | | |
|-----------------------|-----|--|
| ITEM | QTY | DESCRIPTION |
| Cardboard sleeve | 2 | Top and Bottom |
| Cardboard strip | 2 | Between back of enclosure and inner panel |
| Plastic bag | 1 | To protect cover surface and inside gasket |
| Cardboard corner | 4 | To reinforced for the plastic strap tightening |
| Plastic strap - Black | 2 | To Squeeze the 2 cardboard sleeve together |
| Packaging label | 3 | White label with PN |
| Plastic strap- Green | 2 | To secure the enclosure to the wood pallet |
| Wood Pallet | 1 | 2" deeper and 3" larger than enclosure size |

| | | | |
|------------|----------------------------|-----|---|
| 6 | STK-Q-00600 | 2 | M12 to M8 Adaptor |
| 1 | STK-K-01800 | 5 | 5412 ES Accessory Kit |
| 1 | 5412ESSP4830086THNOI PC | 0 | 5412ESSP 48" x 30" Cover |
| 1 | 5412ESSP4830086THNOI PB | 0 | 5412ESSP 48" x 30" x 8" Body |
| 4 | STK-Q-04051-08 | 1 | M6 x 8mm Stainless Steel Hexagon Socket Head Machine Screw with Nyseal |
| Qty | Part Number | Rev | Description |
| Parts List | | | |

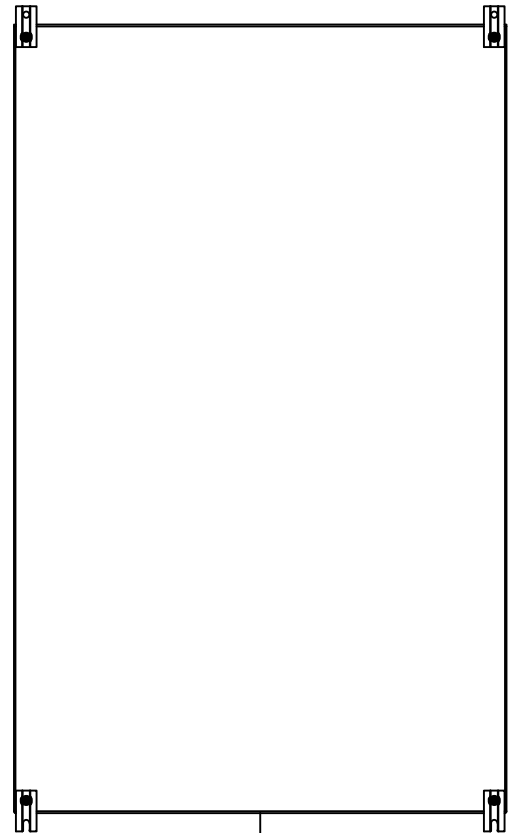
| | | |
|--|-----------------------------------|---|
|  Tél: (450) 979-4373 Fax: (450) 979-4626 www.exmweb.com | | Flatness Aplatissement Max 3.0mm Projection  |
| Customer Client | Date | |
| Drawn By Dessiné Par | BoxCad: BoxCad | Date 04-May-23 |
| Material Matière | 14 Ga Stainless Steel 316 (1.7mm) | |
| Color Couleur | Asa-61 Grey | Finish Fini Smooth |
| Description | Detail Rev. | |
| 5412ESSP 48" x 30" x 8" Assembly | | |
| Part Number Numéro Pièce | Rev. | 2 |
| 5412ESSP4830086THNOIP | 0 | 16 |

This drawing is confidential and must not be reproduced or used without the consent of EXM

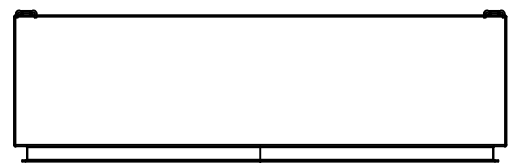
Ce dessin est confidentiel et ne doit pas être reproduit ou utilisé sans le consentement de EXM



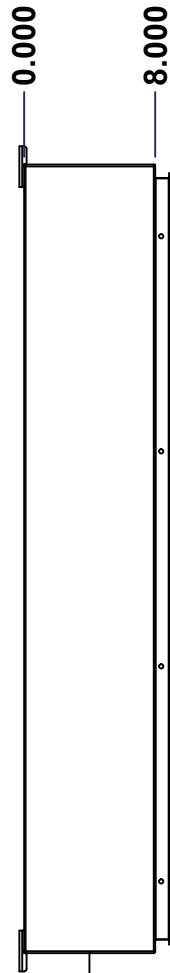
TOP



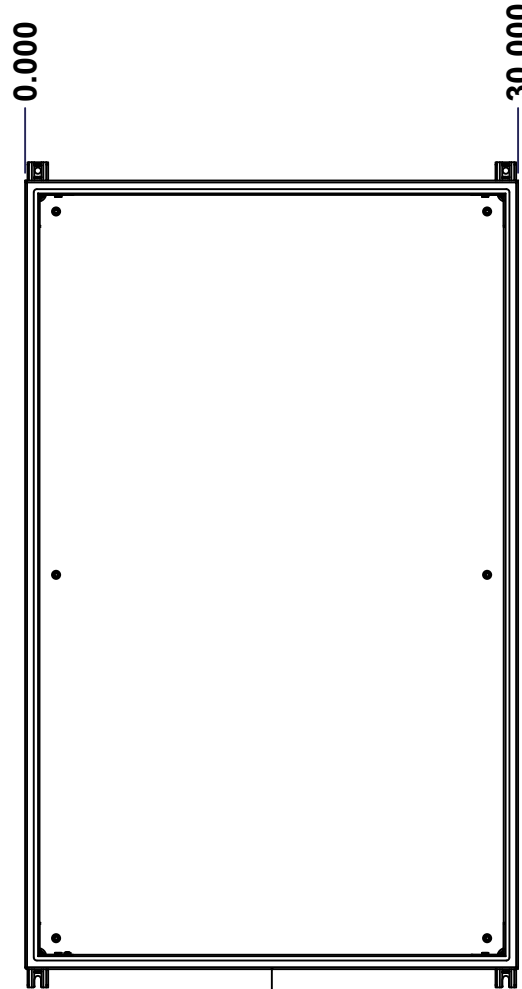
BACK



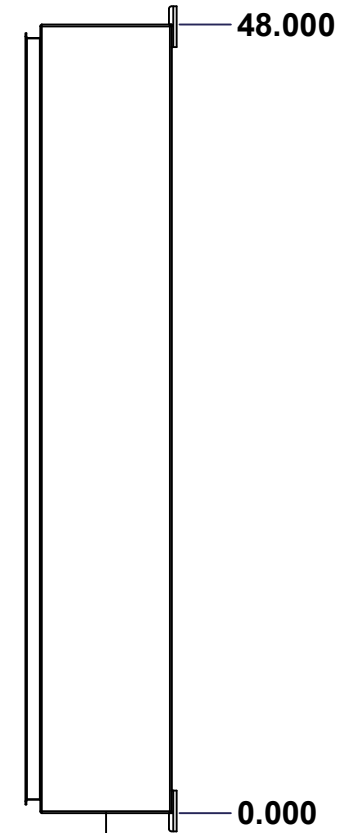
BOTTOM



LEFT

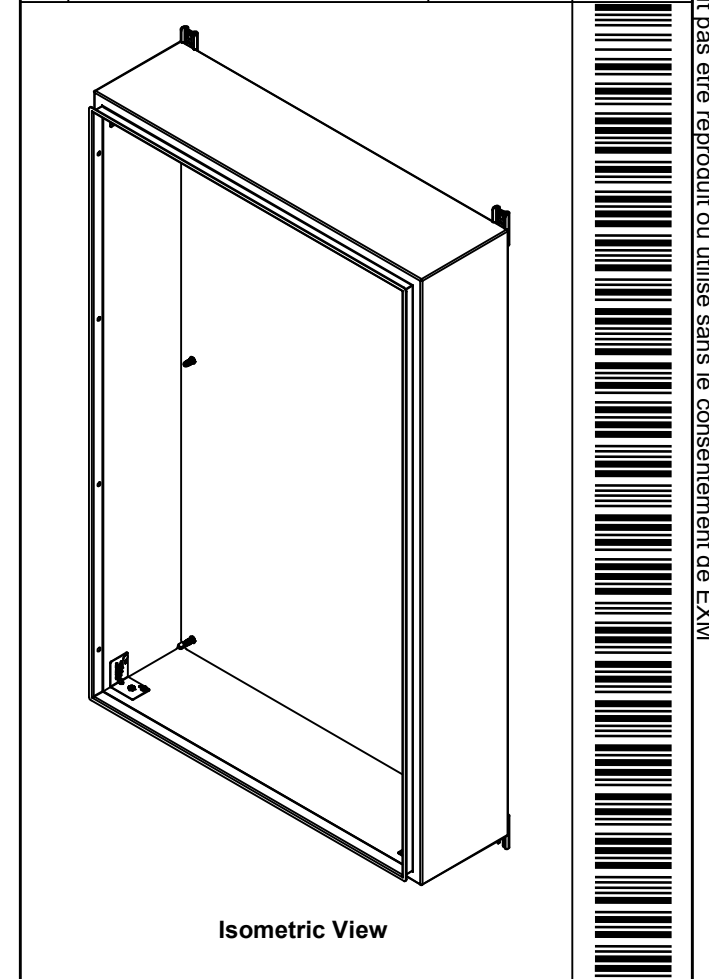


FRONT



RIGHT

| No. | Revisions | Date | By/Par |
|-----|-----------|------|--------|
| | | | |
| | | | |
| | | | |
| | | | |



Isometric View



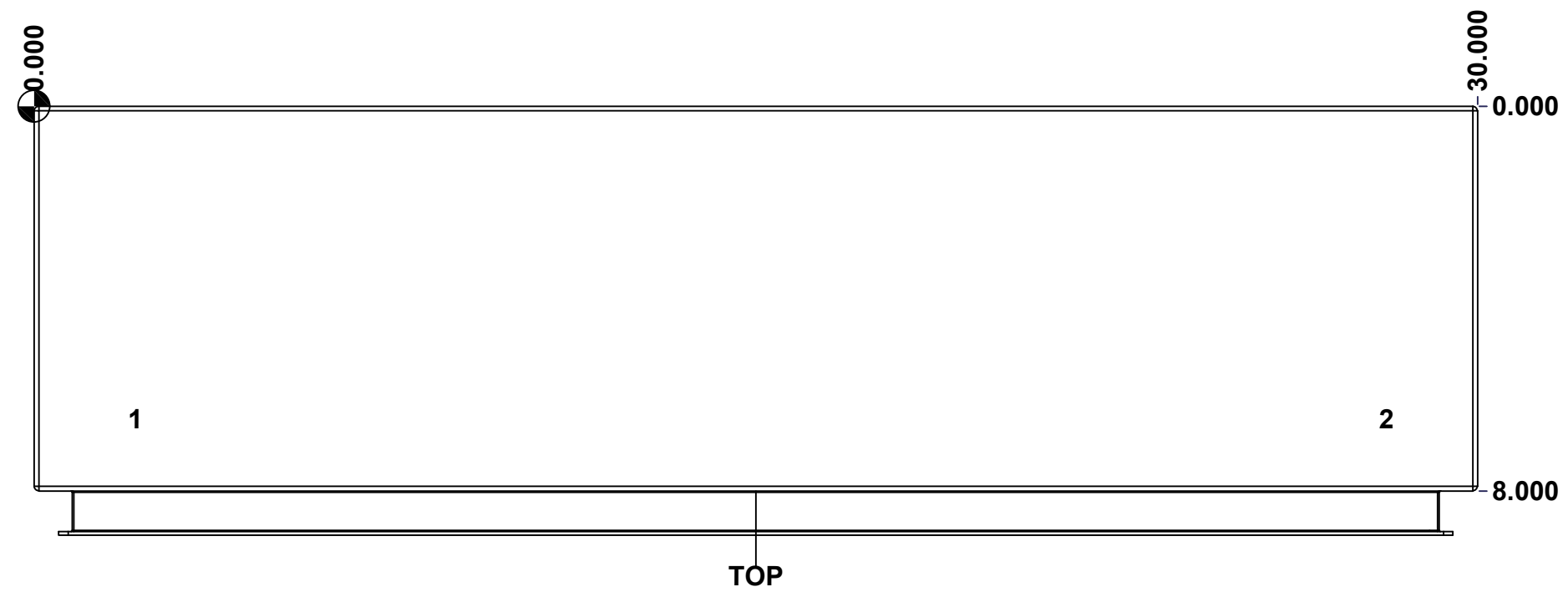
| | | | |
|---|--|--|--|
| | | Flatness Aplatissement Max 5.0mm Projection | |
| Customer Client Drawn By / Dessiné Par: BoxCad: BoxCad Material / Matière: 14 Ga Stainless Steel 316 (1.7mm) Color / Couleur: Asa-61 Grey Finish / Fini: Smooth Description: 5412ESSP 48" x 30" x 8" Body Part Number / Numéro Pièce: 5412ESSP4830086THNOIP | | Date Date: 04-May-23 Detail Rev. Rev. 3 | |
| Tél: (450) 979-4373 Fax: (450) 979-4626 www.exmweb.com | | 0 | |

SEE BILL OF MATERIAL ON LAST PAGE 5412ESSP4830086THNOIP

This drawing is confidential and must not be reproduced or used without the consent of EXM

Ce dessin est confidentiel et ne doit pas être reproduit ou utilisé sans le consentement de EXM

| STANDARD FEATURES ARE NOT LISTED IN THIS HOLE TABLE | | | |
|--|--------|-------|--------------------------------|
| HOLE TABLE - TOP VIEW (CUSTOM FEATURE ONLY) | | | |
| CUT-OUT | XDIM | YDIM | DESCRIPTION |
| 1 | 2.000 | 6.500 | INSUL. STUD M6 x 18mm (Inside) |
| 2 | 28.000 | 6.500 | INSUL. STUD M6 x 18mm (Inside) |



| | | |
|--|---------------------------------|--------|
| | Description | Status |
| | 5412ESSP 48" x 30" x 8" Body | (NULL) |
| | Part Number Numéro Pièce | Rev. |
| | 5412ESSP4830086THNOIPB 0 | 4 |
| | | 16 |

This drawing is confidential and must not be reproduced or used without the consent of EXM

Ce dessin est confidentiel et ne doit pas être reproduit ou utilisé sans le consentement de EXM

| STANDARD FEATURES ARE NOT LISTED IN THIS HOLE TABLE | | | |
|--|--------|-------|--------------------------------|
| HOLE TABLE - BOTTOM VIEW (CUSTOM FEATURE ONLY) | | | |
| CUT-OUT | XDIM | YDIM | DESCRIPTION |
| 1 | 2.000 | 6.500 | INSUL. STUD M6 x 18mm (Inside) |
| 2 | 28.000 | 6.500 | INSUL. STUD M6 x 18mm (Inside) |



| | | |
|--|---------------------------------|--------|
| | Description | Status |
| | 5412ESSP 48" x 30" x 8" Body | (NULL) |
| | Part Number Numéro Pièce | Rev. 5 |
| | 5412ESSP4830086THNOIPB 0 | 16 |

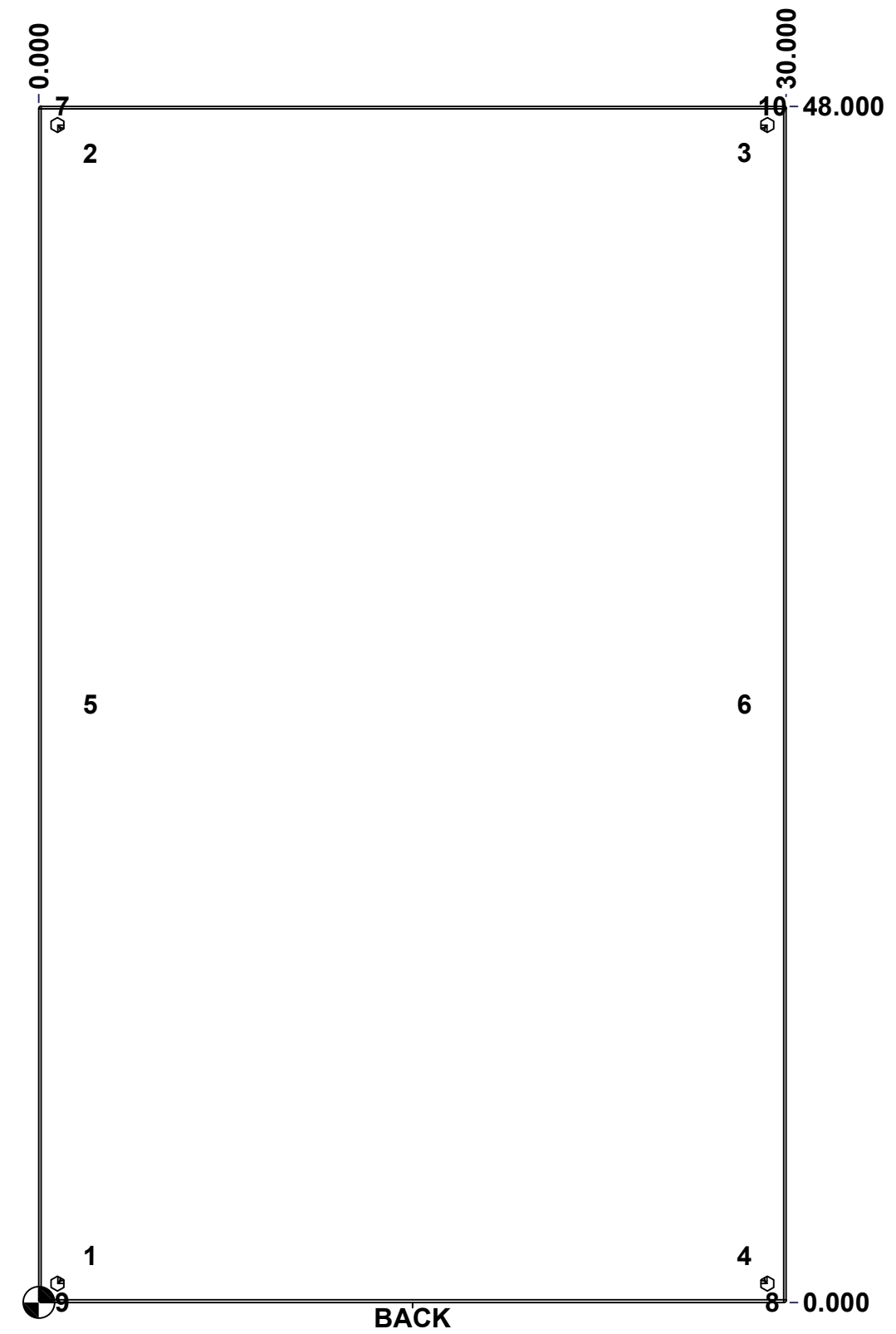
This drawing is confidential and must not be reproduced or used without the consent of EXM

Ce dessin est confidentiel et ne doit pas être reproduit ou utilisé sans le consentement de EXM

STANDARD FEATURES ARE NOT LISTED IN THIS HOLE TABLE

HOLE TABLE - BACK VIEW (CUSTOM FEATURE ONLY)

| CUT-OUT | XDIM | YDIM | DESCRIPTION |
|---------|--------|--------|----------------------------|
| 1 | 1.875 | 1.875 | IP STUD M8 x 35mm (Inside) |
| 2 | 1.875 | 46.125 | IP STUD M8 x 35mm (Inside) |
| 3 | 28.125 | 46.125 | IP STUD M8 x 35mm (Inside) |
| 4 | 28.125 | 1.875 | IP STUD M8 x 35mm (Inside) |
| 5 | 1.875 | 24.000 | IP STUD M8 x 35mm (Inside) |
| 6 | 28.125 | 24.000 | IP STUD M8 x 35mm (Inside) |
| ----- | | | |
| 7 | 0.750 | 48.000 | FOOT 885 ESMF4_CLOSE |
| 8 | 29.250 | 0.000 | FOOT 885 ESMF4_OPEN |
| 9 | 0.750 | 0.000 | FOOT 885 ESMF4_OPEN |
| 10 | 29.250 | 48.000 | FOOT 885 ESMF4_CLOSE |

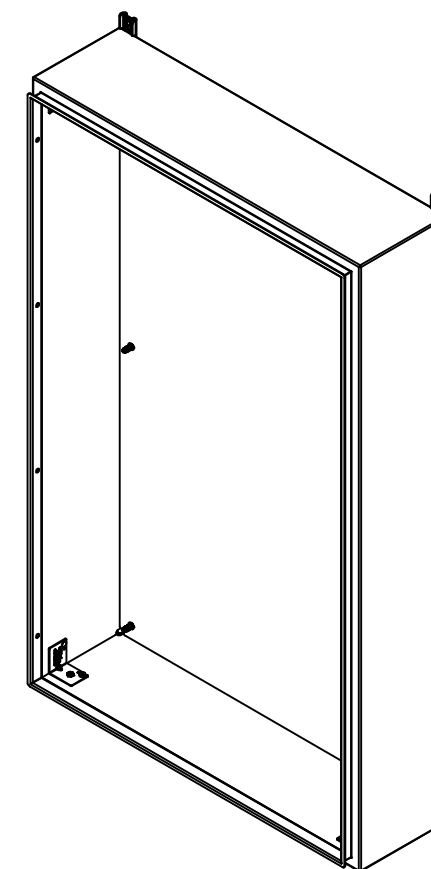


| | | |
|--|-------------------------------|----------|
| | Description | Status |
| | 5412ESSP 48" x 30" x 8" Body | (NULL) |
| | Part Number Numéro Pièce | Rev. |
| | 5412ESSP4830086THNOIPB | 6 |
| | | 0 |
| | | 16 |

This drawing is confidential and must not be reproduced or used without the consent of EXM

Ce dessin est confidentiel et ne doit pas être reproduit ou utilisé sans le consentement de EXM

| No. | Revisions | Date | By/Par |
|-----|-----------|------|--------|
| | | | |
| | | | |
| | | | |
| | | | |
| | | | |



Isometric View



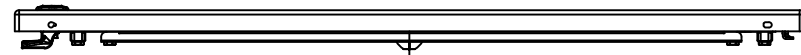
| | | | |
|---|----------------------------|---|---|
| 2 | 885ESMF4-FEET-A | 0 | 885 ESMF4 Stainless Steel Mounting Foot (Opened Slot) |
| 4 | RIVET_NUT_SS_M10_FH_CE | 0 | Stainless Steel Rivet Nut M10 (Low Profile Close End) |
| 4 | STK-Q-06670 | 2 | M10 x 16mm Stainless Steel Machine Screw |
| 2 | 885ESMF4-FEET | 0 | 885 ESMF4 Stainless Steel Mounting Foot |
| 1 | STK-K-70554 | 3 | 5412 ESTH Accessory Kit |
| 1 | 5412ESSP4830086THNOI-PI-RS | 0 | 5412ESSP 48" x 30" Right Insulation |
| 1 | 5412ESSP4830086THNOI-PI-LS | 0 | 5412ESSP 48" x 30" Left Insulation |
| 1 | 5412ESSP4830086THNOI-PI-BT | 0 | 5412ESSP 48" x 30" Top and Bottom Insulation |
| 1 | 5412ESSP4830086THNOI-PI-TP | 0 | 5412ESSP 48" x 30" Top and Bottom Insulation |
| 1 | 5412ESSP4830086THNOI-PI-B | 0 | 5412ESSP 48" x 30" Back Insulation |
| 4 | STK-Q-16070 | 1 | Stud M6 x 18mm Stainless steel |
| 1 | STK-P-02400S | 0 | Powder Paint (Asa-61 Grey / Smooth) |
| 6 | STK-Q-16020 | 1 | Stud M8 x 35mm Stainless Steel |
| 1 | 5412ESSP4830086THNOI-PB-P | 0 | 5412ESSP 48" x 30" x 8" Body Part |

| Qty | Part Number | Rev | Description |
|------------|-------------|-----|-------------|
| Parts List | | | |

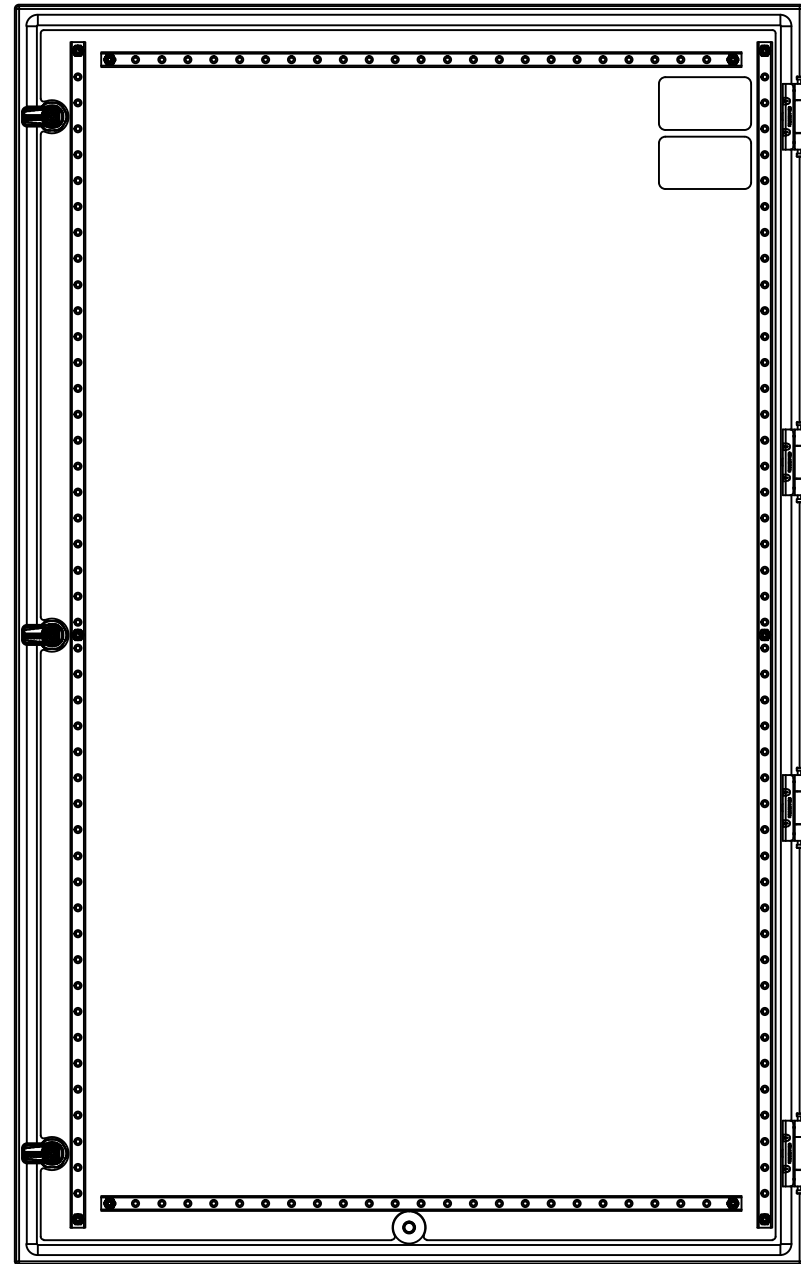
| | | |
|--|-----------------------|--|
|  Tél: (450) 979-4373 Fax: (450) 979-4626 www.exmweb.com | | Flatness Aplatissement  Max 5.0mm |
| Customer Client | | Projection  |
| Drawn By Dessiné Par BoxCad: BoxCad | | Date 04-May-23 |
| Material Matière 14 Ga Stainless Steel 316 (1.7mm) | | |
| Color Couleur Asa-61 Grey | Finish Fini Smooth | |
| Description 5412ESSP 48" x 30" x 8" Body | | Detail Rev. |
| Part Number Numéro Pièce 5412ESSP4830086THNOIPB | | Rev. 0 |

This drawing is confidential and must not be reproduced or used without the consent of EXM

Ce dessin est confidentiel et ne doit pas être reproduit ou utilisé sans le consentement de EXM



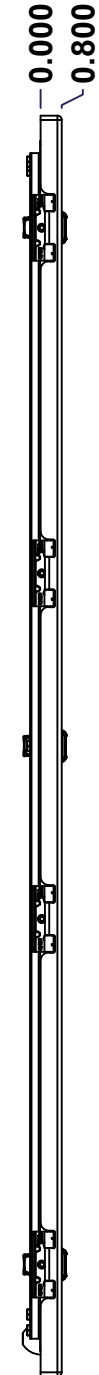
TOP



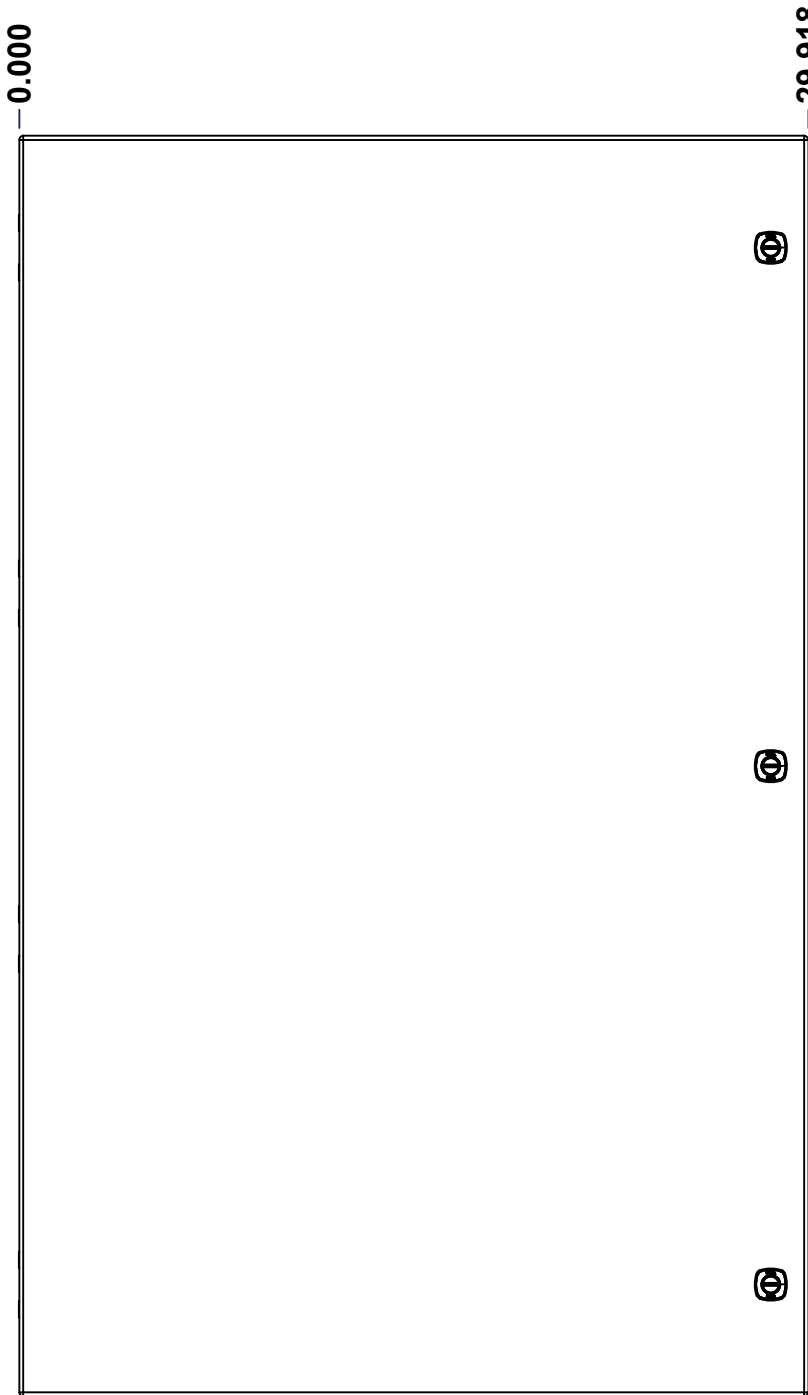
BACK



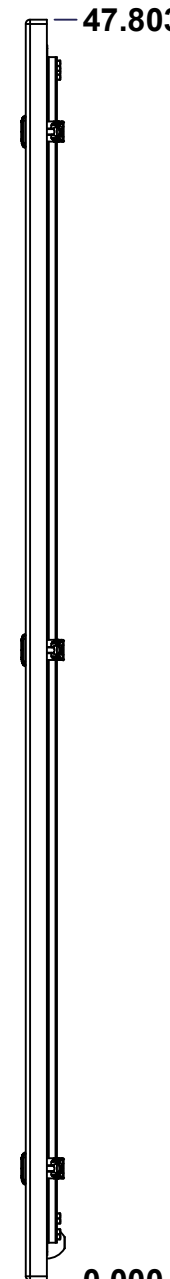
BOTTOM



LEFT

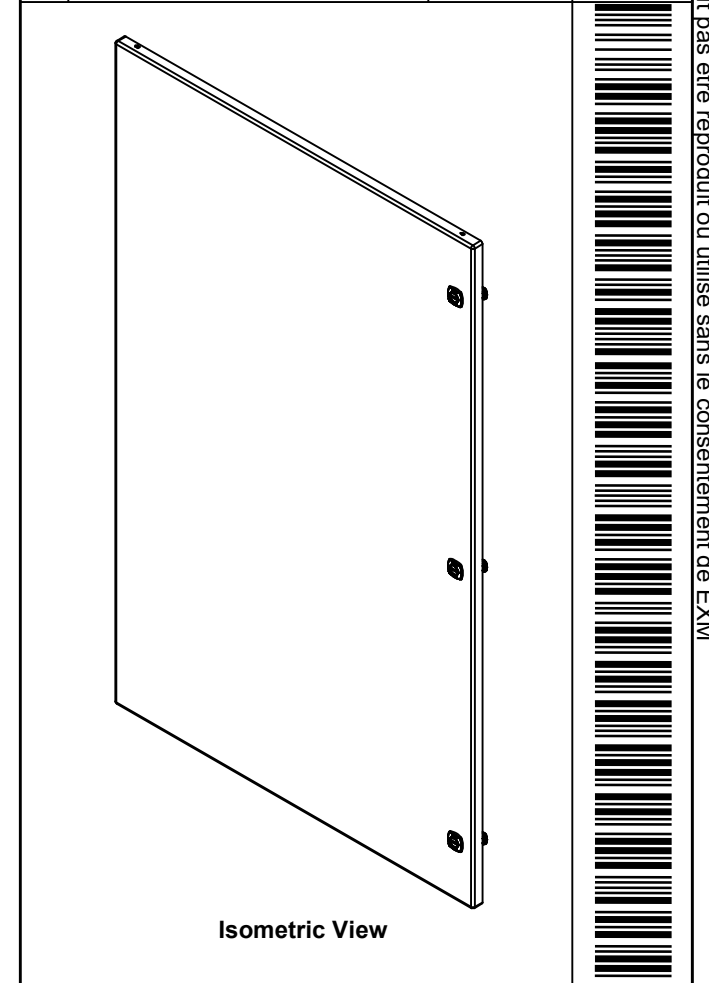


FRONT




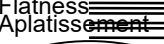
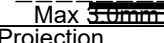
RIGHT

| No. | Revisions | Date | By/Par |
|-----|-----------|------|--------|
| | | | |
| | | | |
| | | | |
| | | | |



Isometric View



| | | |
|--|-----------------------------------|---|
|  Tél: (450) 979-4373 Fax: (450) 979-4626 www.exmweb.com | | Flatness Aplatissement  Max 3.0mm Projection  |
| Customer Client | Date | |
| Drawn By Dessiné Par | BoxCad: BoxCad | Date 04-May-23 |
| Material Matière | 14 Ga Stainless Steel 316 (1.7mm) | |
| Color Couleur | Asa-61 Grey | Finish Fini Smooth |
| Description | 5412ESSP 48" x 30" Cover | |
| Part Number Numéro Pièce | Rev. 8 | 0 |

SEE BILL OF MATERIAL ON LAST PAGE 5412ESSP4830086THNOIPC

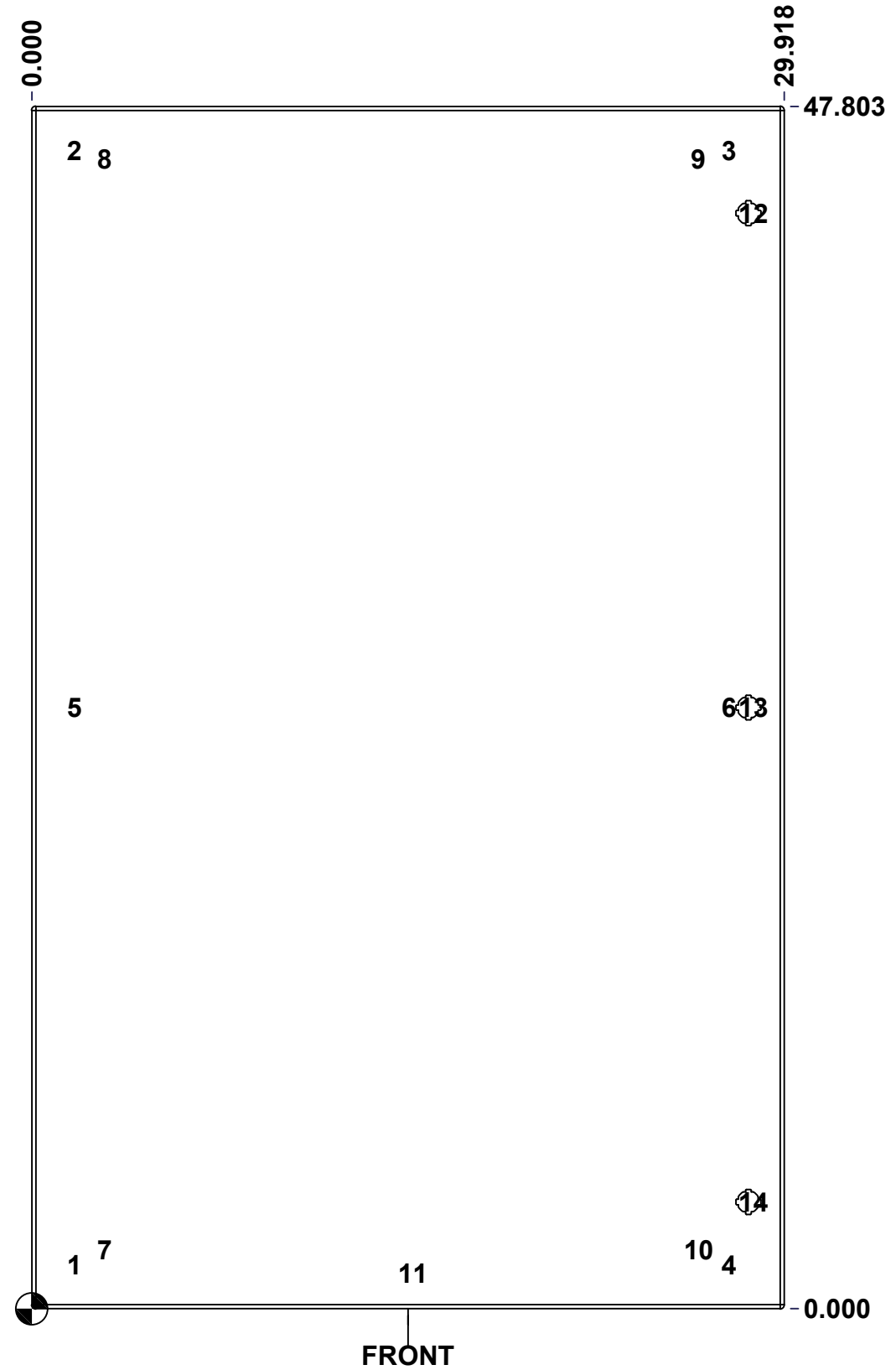
This drawing is confidential and must not be reproduced or used without the consent of EXM

Ce dessin est confidentiel et ne doit pas être reproduit ou utilisé sans le consentement de EXM

STANDARD FEATURES ARE NOT LISTED IN THIS HOLE TABLE

HOLE TABLE - FRONT VIEW (CUSTOM FEATURE ONLY)

| CUT-OUT | XDIM | YDIM | DESCRIPTION |
|---------|--------|--------|-------------------------|
| 1 | 1.486 | 1.756 | STUD M6 x 18mm (Inside) |
| 2 | 1.486 | 46.047 | STUD M6 x 18mm (Inside) |
| 3 | 27.517 | 46.047 | STUD M6 x 18mm (Inside) |
| 4 | 27.517 | 1.756 | STUD M6 x 18mm (Inside) |
| 5 | 1.486 | 23.902 | STUD M6 x 18mm (Inside) |
| 6 | 27.517 | 23.902 | STUD M6 x 18mm (Inside) |
| 7 | 2.690 | 2.350 | STUD M6 x 18mm (Inside) |
| 8 | 2.690 | 45.713 | STUD M6 x 18mm (Inside) |
| 9 | 26.313 | 45.713 | STUD M6 x 18mm (Inside) |
| 10 | 26.313 | 2.350 | STUD M6 x 18mm (Inside) |
| 11 | 14.959 | 1.435 | STUD M6 x 18mm (Inside) |
| ----- | | | |
| 12 | 28.494 | 43.553 | 880 SCQ4-SLSS6 |
| 13 | 28.494 | 23.902 | 880 SCQ4-SLSS6 |
| 14 | 28.494 | 4.250 | 880 SCQ4-SLSS6 |

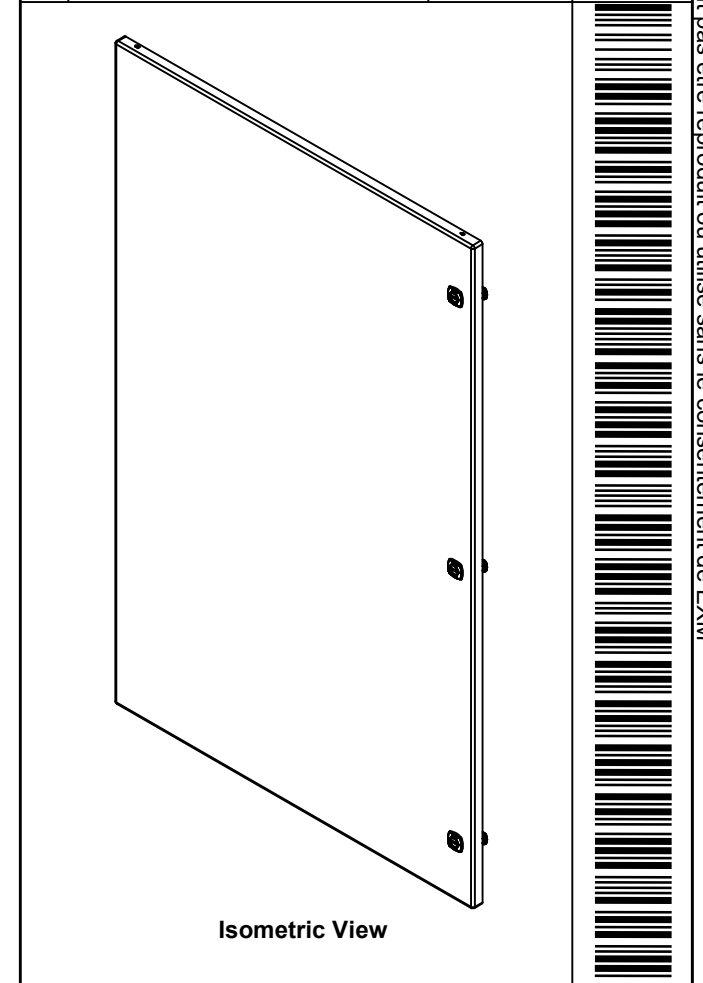


| | | |
|--|--|--------------------|
| | Description 5412ESSP 48" x 30" Cover | Status (NULL) |
| | Part Number Numéro Pièce 5412ESSP4830086THNOIPC | Rev. 9 0 |

This drawing is confidential and must not be reproduced or used without the consent of EXM

Ce dessin est confidentiel et ne doit pas être reproduit ou utilisé sans le consentement de EXM

| No. | Revisions | Date | By/Par |
|-----|-----------|------|--------|
| | | | |
| | | | |
| | | | |
| | | | |
| | | | |



| | | | |
|----|------------------------------|---|--|
| 2 | STK-S-00100 | 0 | 3.5" x 2" Silver Milar Flexcon Sticker |
| 10 | STK-Q-07250 | 2 | M6 x 16mm Collar Nut |
| 2 | STK-Q-46025-30-3 | 4 | 5412 ES Horizontal Door Stiffener 30" (3Pts) |
| 2 | STK-Q-46020-48 | 5 | 5412 ES Vertical Door Stiffener 48" |
| 1 | 5412ESSP4830086THNOI PI-C | 0 | 5412ESSP 48" x 30" Cover Insulation |
| 1 | STK-P-02400S | 0 | Powder Paint (Asa-61 Grey / Smooth) |
| 1 | STK-Q-46515 | 3 | 5412 ES Door Support with Brass Insert |
| 11 | STK-Q-16070 | 1 | Stud M6 x 18mm Stainless steel |
| 1 | 5412ESSP4830086THNOI PG | 0 | 5412ESSP 48" x 30" Cover Gasket Part |
| 1 | 5412ESSP4830086THNOI PC-P | 0 | 5412ESSP 48" x 30" Cover Part |
| 3 | 880 SCQ4-SLSS6 | 7 | 5412 ESS 1/4 Turn Lock |
| 4 | STK-A-33016 | 0 | 5412 ESS Bended Hinge (Body Part) |

| QTY | Part Number | Rev | Description |
|------------|-------------|-----|-------------|
| Parts List | | | |



Tél: (450) 979-4373
Fax: (450) 979-4626
www.exmweb.com

Flatness
Aplatissement
Max 5.0mm

Projection

Customer Client

Drawn By
Dessiné Par BoxCad: BoxCad

Material
Matière 14 Ga Stainless Steel 316 (1.7mm)

Color
Couleur Asa-61 Grey

Finish
Fini Smooth

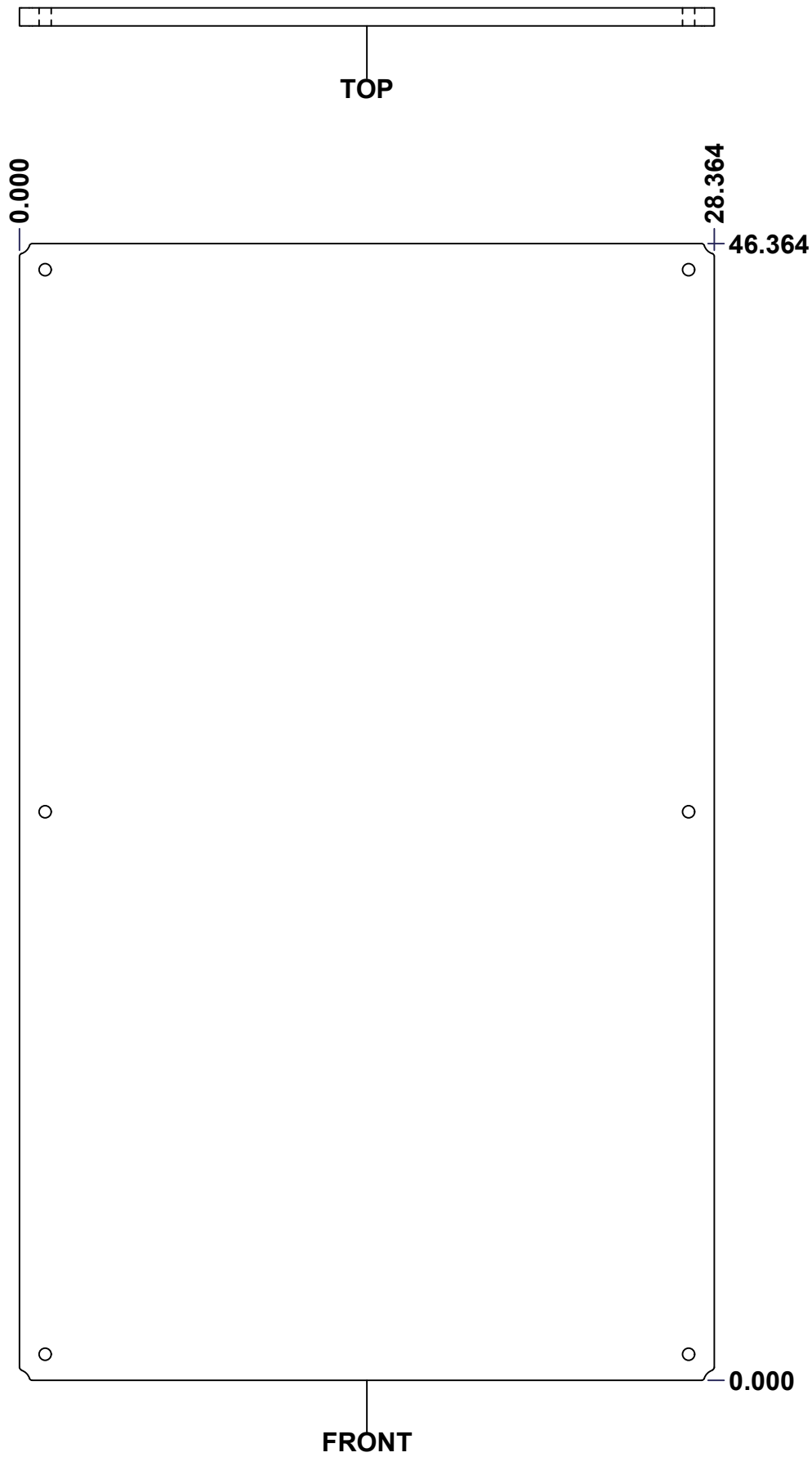
Description
5412ESSP 48" x 30" Cover

Part Number
Numéro Pièce **5412ESSP4830086THNOIPC**

| | |
|-------------|-----------|
| Date | 04-May-23 |
| Detail Rev. | 10 |
| Rev. | 0 |

This drawing is confidential and must not be reproduced or used without the consent of EXM

Ce dessin est confidentiel et ne doit pas être reproduit ou utilisé sans le consentement de EXM



| No. | Revisions | Date | By/Par |
|-----|-----------|------|--------|
| | | | |
| | | | |
| | | | |
| | | | |

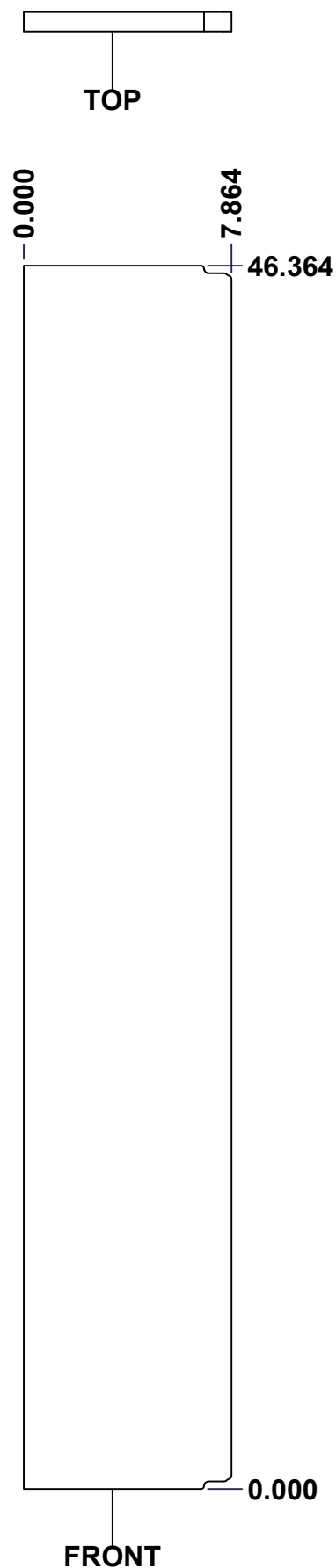
Isometric View

| | | | |
|---|--|---------------------------|-------------|
| <p>Tél: (450) 979-4373 Fax: (450) 979-4626 www.exmweb.com</p> | | Flatness Aplatissement | |
| | | Max 3.0mm | |
| Customer Client | | Date | |
| Drawn By Dessiné Par | | Date | |
| Material Matière | | Polyisocyanurate | |
| Color Couleur | | Finish Fini | |
| Aluminum | | N/A | |
| Description | | | Detail Rev. |
| 5412ESSP 48" x 30" Back Insulation | | | |
| Part Number Numéro Pièce | | Rev. | 11 |
| 5412ESSP4830086THNOIP-B | | 0 | 16 |

SEE BILL OF MATERIAL ON LAST PAGE

This drawing is confidential and must not be reproduced or used without the consent of EXM

Ce dessin est confidentiel et ne doit pas être reproduit ou utilisé sans le consentement de EXM



| No. | Revisions | Date | By/Par |
|-----|-----------|------|--------|
| | | | |
| | | | |
| | | | |
| | | | |
| | | | |

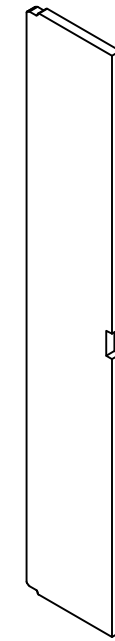
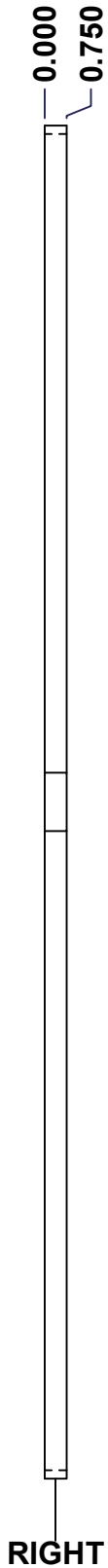
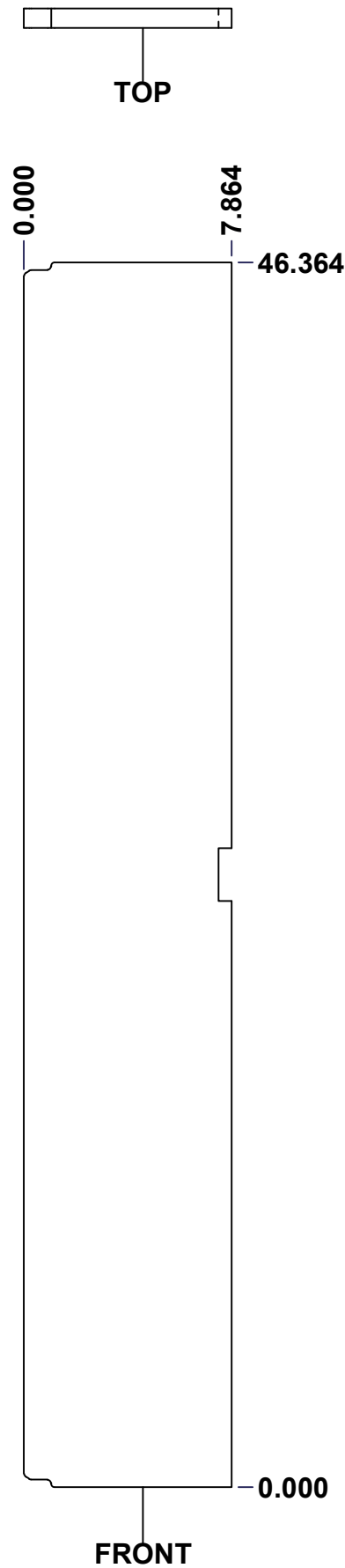
Isometric View

| | | | |
|--|----------|---------------------------|-----|
| Tél: (450) 979-4373 Fax: (450) 979-4626 www.exmweb.com | | Flatness Aplatissement | |
| | | Max 3.0mm | |
| Customer Client | | Date | |
| Drawn By Dessiné Par | | Date 23-Jan-07 | |
| Material Matière | | Polyisocyanurate | |
| Color Couleur | Aluminum | Finish Fini | N/A |
| Description | | Detail Rev. | |
| 5412ESSP 48" x 30" Left Insulation | | | |
| Part Number Numéro Pièce | | Rev. | 12 |
| 5412ESSP4830086THNOIPI-LS 0 | | | 16 |

SEE BILL OF MATERIAL ON LAST PAGE

This drawing is confidential and must not be reproduced or used without the consent of EXM


Ce dessin est confidentiel et ne doit pas être reproduit ou utilisé sans le consentement de EXM



Isometric View



| No. | Revisions | Date | By/Par |
|-----|-----------|------|--------|
| | | | |
| | | | |
| | | | |
| | | | |

| | | |
|--|---------------------------|--|
|  Tél: (450) 979-4373 Fax: (450) 979-4626 www.exmweb.com | | Flatness Aplatissement Max 3.0mm |
| Customer Client | | Date |
| Drawn By Dessiné Par | BoxCad: Patrick Deschenes | Date 23-Jan-07 |
| Material Matière Polyisocyanurate | | |
| Color Couleur Aluminum | Finish Fini N/A | |
| Description 5412ESSP 48" x 30" Right Insulation | | Detail Rev. |
| Part Number Numéro Pièce 5412ESSP4830086THNOIP-RS 0 | | Rev. 13 |

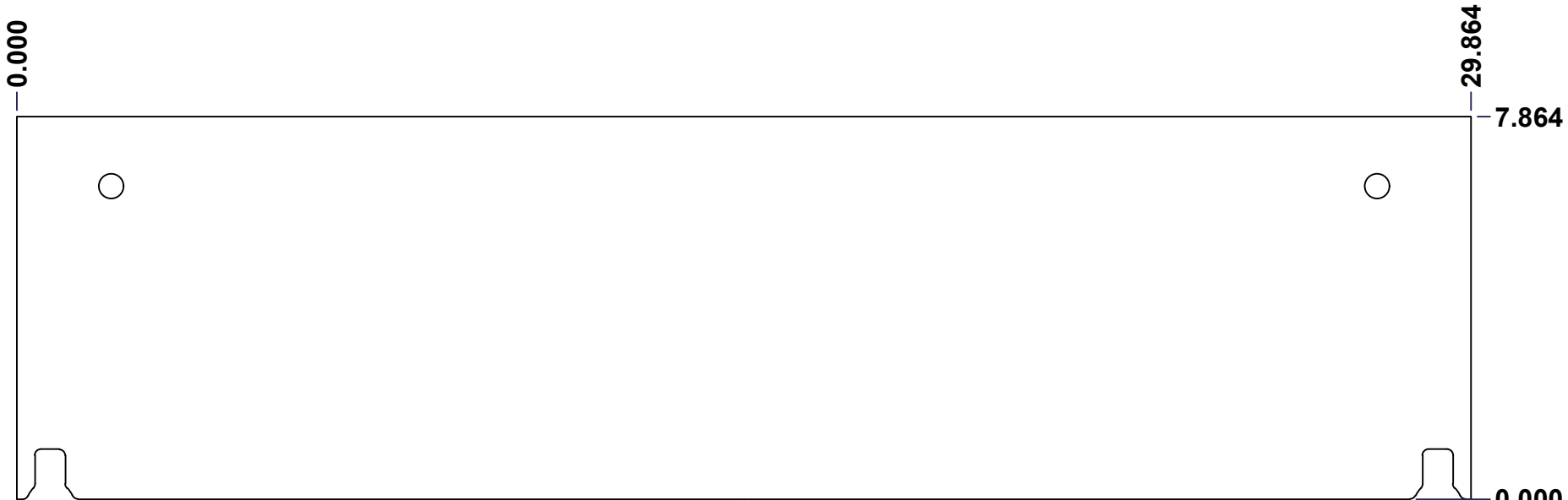
SEE BILL OF MATERIAL ON LAST PAGE

This drawing is confidential and must not be reproduced or used without the consent of EXM

Ce dessin est confidentiel et ne doit pas être reproduit ou utilisé sans le consentement de EXM



TOP

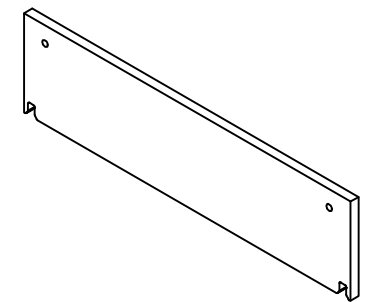


FRONT



RIGHT

| No. | Revisions | Date | By/Par |
|-----|-----------|------|--------|
| | | | |
| | | | |
| | | | |
| | | | |



Isometric View

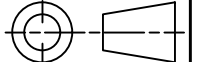


Tél: (450) 979-4373
 Fax: (450) 979-4626
www.exmweb.com

Flatness
Aplatissement

Max 3.0mm

Projection



| | |
|---|--------------------|
| Customer Client | Date |
| Drawn By / Dessiné Par: BoxCad: Patrick Deschenes | Date: 23-Jan-07 |
| Material / Matière: Polyisocyanurate | |
| Color / Couleur: Aluminum | Finish / Fini: N/A |
| Description: 5412ESSP 48" x 30" Top and Bottom Insulation | Detail Rev. |

| | |
|---|---------|
| Part Number / Numéro Pièce: 5412ESSP4830086THNOIPI-TP 0 | Rev. 14 |
|---|---------|

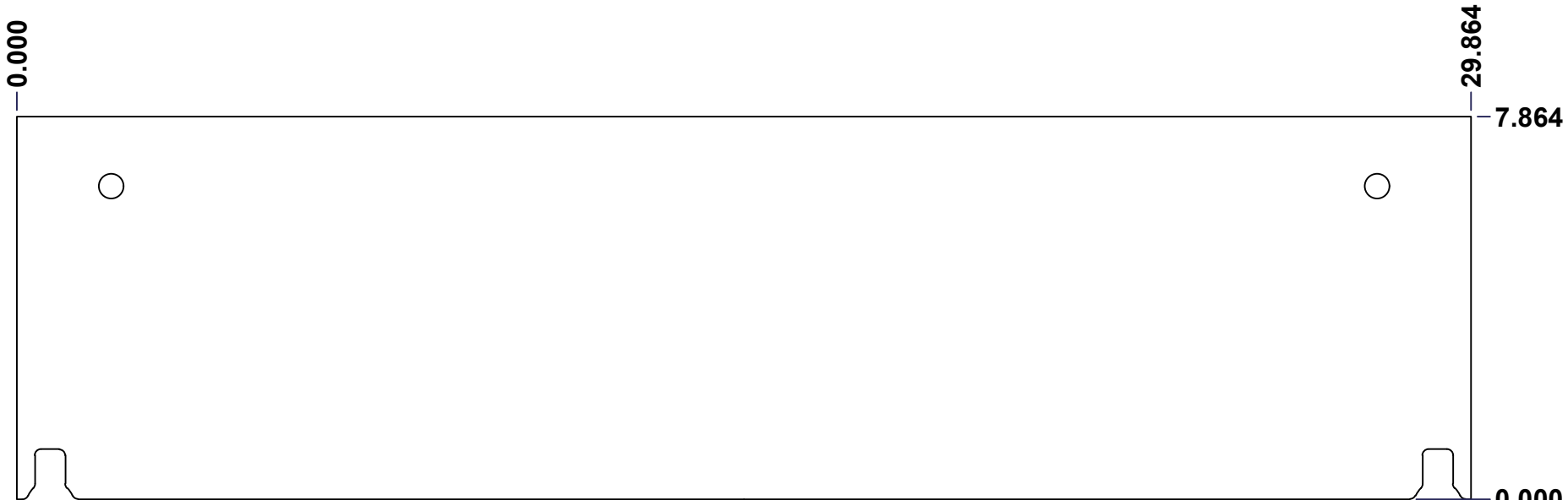
SEE BILL OF MATERIAL ON LAST PAGE

This drawing is confidential and must not be reproduced or used without the consent of EXM

Ce dessin est confidentiel et ne doit pas être reproduit ou utilisé sans le consentement de EXM



TOP

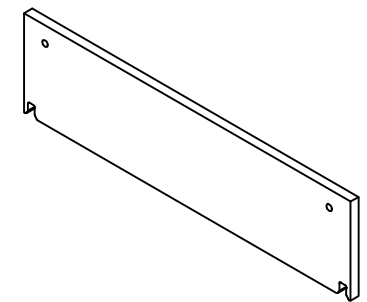


FRONT



RIGHT

| No. | Revisions | Date | By/Par |
|-----|-----------|------|--------|
| | | | |
| | | | |
| | | | |
| | | | |



Isometric View

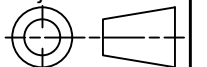


Tél: (450) 979-4373
 Fax: (450) 979-4626
www.exmweb.com

Flatness
Aplatissement

Max 3.0mm

Projection

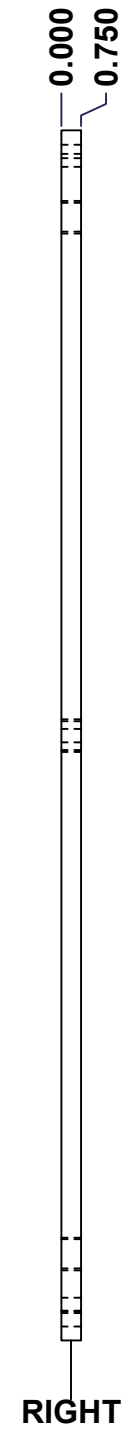
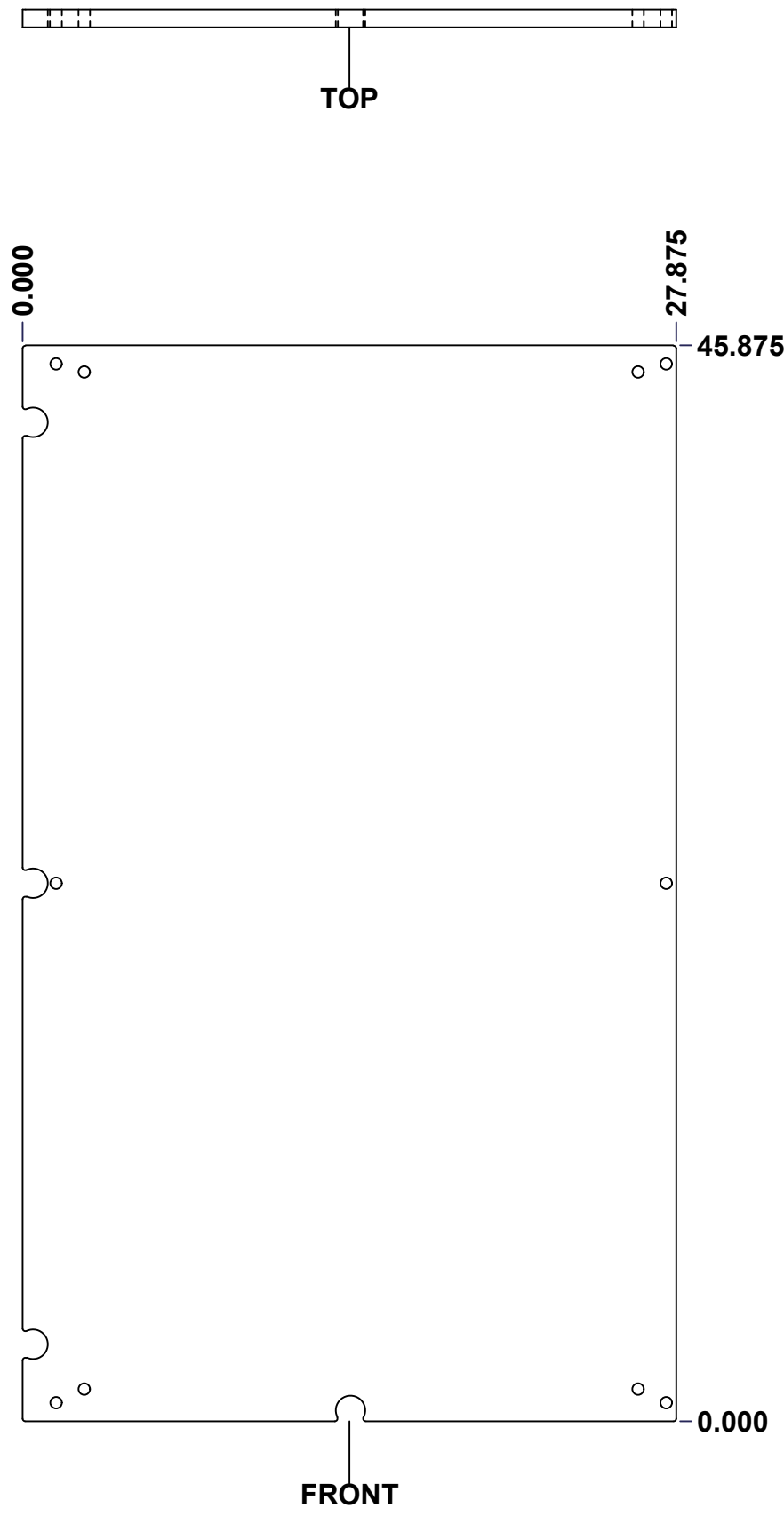


| | |
|---|--------------------|
| Customer Client | Date |
| Drawn By / Dessiné Par: BoxCad: Patrick Deschenes | Date: 23-Jan-07 |
| Material / Matière: Polyisocyanurate | |
| Color / Couleur: Aluminum | Finish / Fini: N/A |
| Description: 5412ESSP 48" x 30" Top and Bottom Insulation | Detail Rev. |
| Part Number / Numéro Pièce: 5412ESSP4830086THNOIPI-BT 0 | Rev. 15 |

SEE BILL OF MATERIAL ON LAST PAGE

This drawing is confidential and must not be reproduced or used without the consent of EXM

Ce dessin est confidentiel et ne doit pas être reproduit ou utilisé sans le consentement de EXM



| No. | Revisions | Date | By/Par |
|-----|-----------|------|--------|
| | | | |
| | | | |
| | | | |
| | | | |

Isometric View

| | | | |
|--|----------|---------------------------|-------------|
| Tél: (450) 979-4373 Fax: (450) 979-4626 www.exmweb.com | | Flatness Aplatissement | |
| | | Max 3.0mm | |
| Customer Client | | Date | |
| Drawn By Dessiné Par | | Date 23-Jan-07 | |
| Material Matière | | Polyisocyanurate | |
| Color Couleur | Aluminum | Finish Fini | N/A |
| Description | | | Detail Rev. |
| 5412ESSP 48" x 30" Cover Insulation | | | |
| Part Number Numéro Pièce | | Rev. | 16 |
| 5412ESSP4830086THNOIP-C | | 0 | 16 |

SEE BILL OF MATERIAL ON LAST PAGE