

This drawing is confidential and must not be reproduced or used without the consent of EXM

Ce dessin est confidentiel et ne doit pas être reproduit ou utilisé sans le consentement de EXM



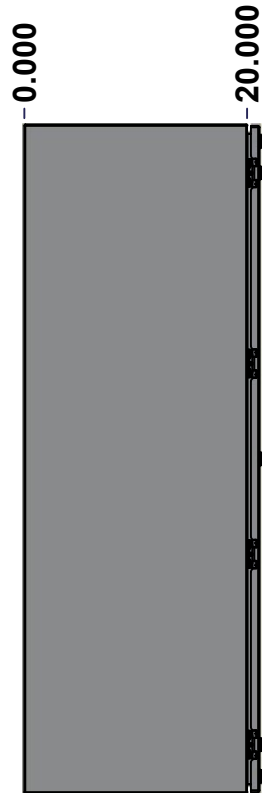
TOP



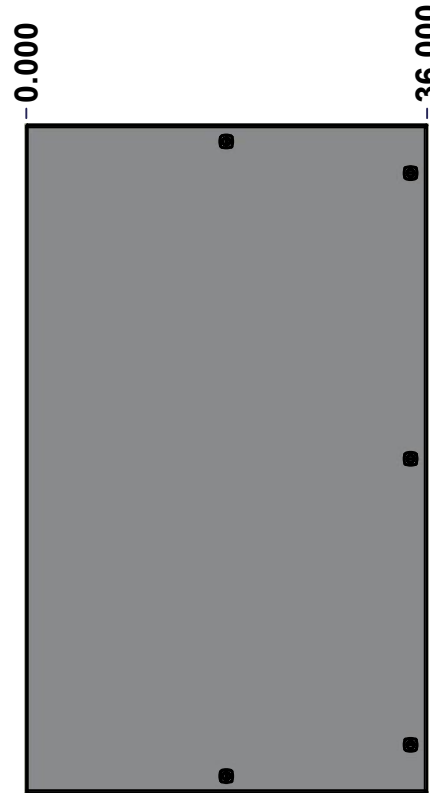
BACK



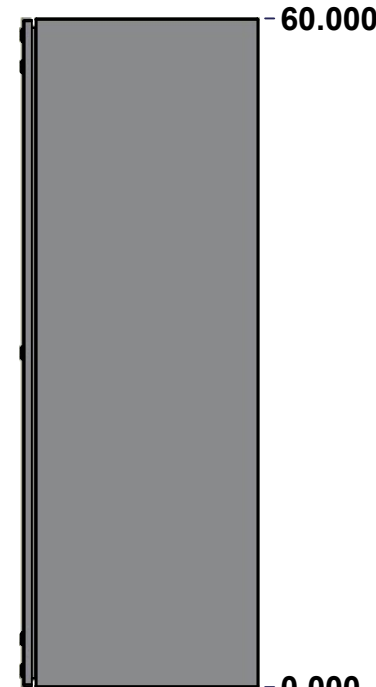
BOTTOM



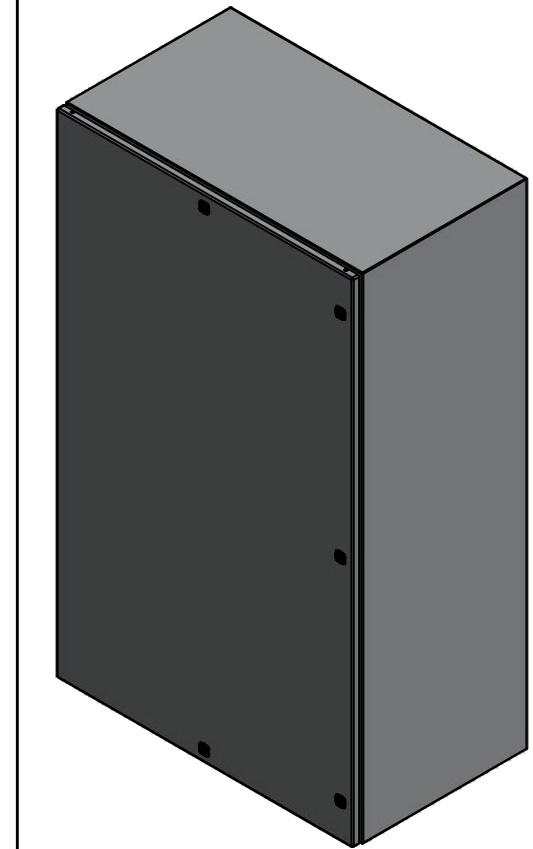
LEFT



FRONT




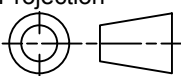
RIGHT



Isometric View



| No. | Revisions | Date | By/Par |
|-----|-----------|------|--------|
| | | | |
| | | | |
| | | | |
| | | | |
| | | | |

| | | |
|--|-----------------------------------|---|
|  Tél: (450) 979-4373 Fax: (450) 979-4626 www.exmweb.com | | Flatness Aplatissement Max 3.0mm Projection  |
| Customer Client | Date | |
| Drawn By Dessiné Par | BoxCad: BoxCad | Date 22-Jun-22 |
| Material Matière | 14 Ga Stainless Steel 304 (1.7mm) | |
| Color Couleur | Asa-61 Grey | Finish Fini Smooth |
| Description | Detail Rev. | |
| 5412ESSP 60" x 36" x 20" Assembly | | |
| Part Number Numéro Pièce | Rev. | 1 |
| 5412ESSP603620NOIP | 0 | 9 |

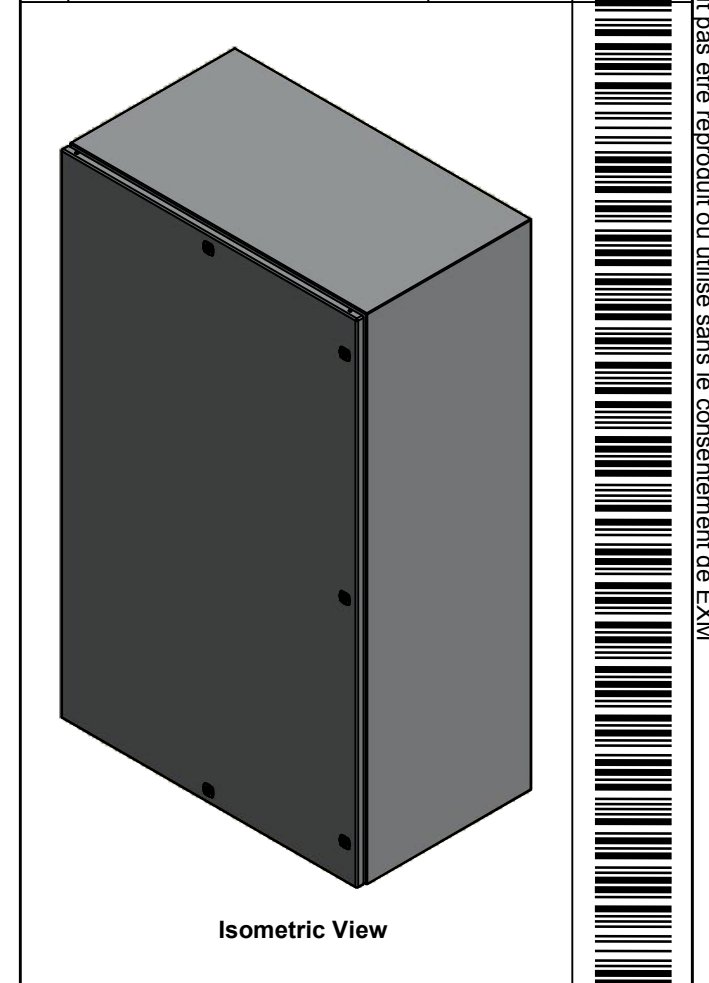
SEE BILL OF MATERIAL ON LAST PAGE

This drawing is confidential and must not be reproduced or used without the consent of EXM

Ce dessin est confidentiel et ne doit pas être reproduit ou utilisé sans le consentement de EXM


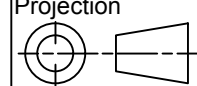
| NOTE | |
|------|---|
| ITEM | DESCRIPTION |
| 1 | NEMA 4X Enclosure |
| 2 | C/W Standard ground studs on box and cover |
| 3 | C/W Standard door stiffener |
| 4 | W/O Inner panel |
| 5 | C/W Standard inner panel mounting studs |
| 6 | C/W Special locks sold separately (Installed) |

| No. | Revisions | Date | By/Par |
|-----|-----------|------|--------|
| | | | |
| | | | |
| | | | |
| | | | |
| | | | |
| | | | |



| PACKING | | |
|-----------------------|-----|--|
| ITEM | QTY | DESCRIPTION |
| Cardboard sleeve | 2 | Top and Bottom |
| Cardboard strip | 2 | Between back of enclosure and inner panel |
| Plastic bag | 1 | To protect cover surface and inside gasket |
| Cardboard corner | 4 | To reinforced for the plastic strap tightening |
| Plastic strap - Black | 2 | To Squeeze the 2 cardboard sleeve together |
| Packaging label | 3 | White label with PN |
| Plastic strap- Green | 2 | To secure the enclosure to the wood pallet |
| Wood Pallet | 1 | 2" deeper and 3" larger than enclosure size |

| | | | |
|------------|---------------------|-----|--|
| 1 | 880 PP | 6 | Self Adhesive Print Pocket |
| 1 | STK-K-01800 | 5 | 5412 ES Accessory Kit |
| 1 | 5412ESSP603620NOIPC | 0 | 5412ESSP 60" x 36" Cover |
| 1 | 5412ESSP603620NOIPB | 0 | 5412ESSP 60" x 36" x 20" Body |
| 4 | STK-Q-04051-07 | 8 | M6 x 7mm Stainless Steel Hexagon Socket Head Machine Screw with Nyseal |
| Qty | Part Number | Rev | Description |
| Parts List | | | |

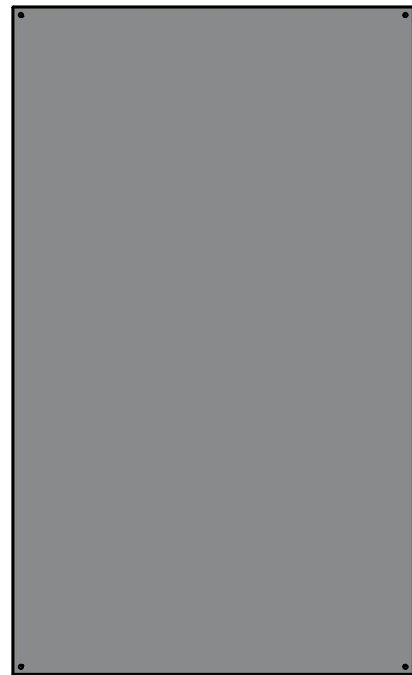
| | | |
|--|-----------------------------------|---|
|  Tél: (450) 979-4373 Fax: (450) 979-4626 www.exmweb.com | | Flatness Aplatissement Max 3.0mm Projection  |
| Customer Client | Date | |
| Drawn By Dessiné Par | BoxCad: BoxCad | Date 22-Jun-22 |
| Material Matière | 14 Ga Stainless Steel 304 (1.7mm) | |
| Color Couleur | Asa-61 Grey | Finish Fini Smooth |
| Description | | Detail Rev. |
| 5412ESSP 60" x 36" x 20" Assembly | | |
| Part Number Numéro Pièce | 5412ESSP603620NOIP | Rev. 0 |
| | | 2 9 |

This drawing is confidential and must not be reproduced or used without the consent of EXM

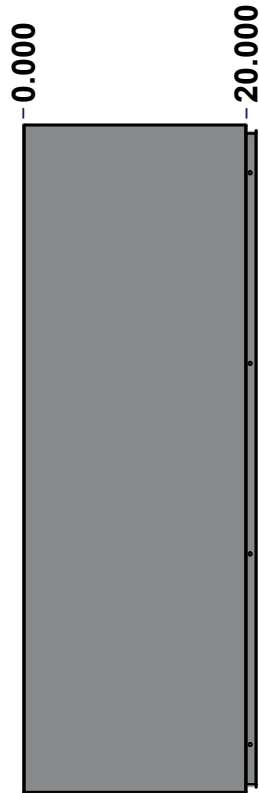
Ce dessin est confidentiel et ne doit pas être reproduit ou utilisé sans le consentement de EXM



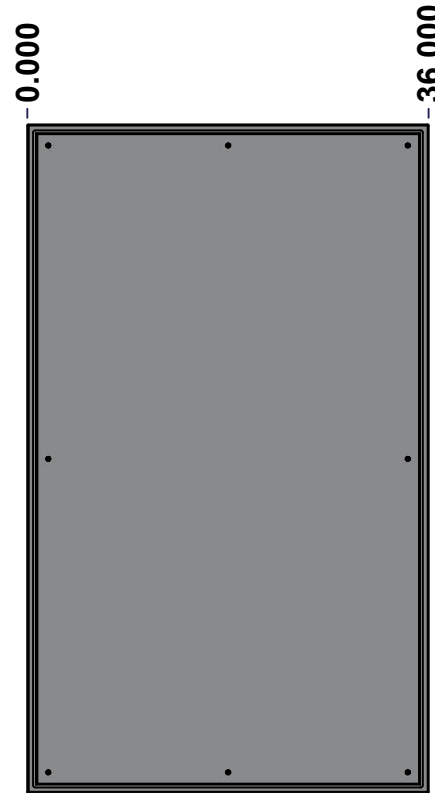
TOP



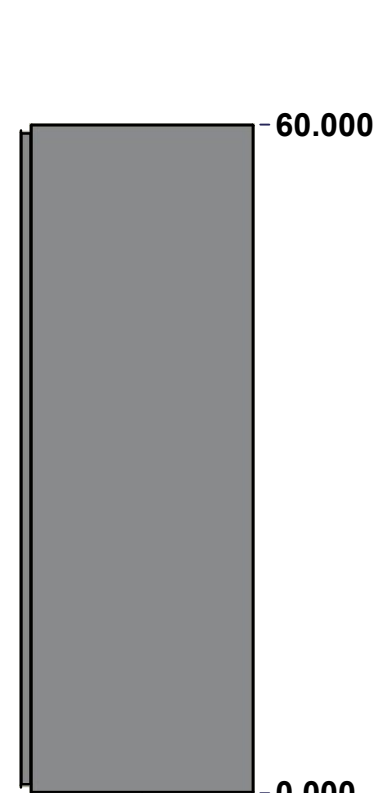
BACK



LEFT



FRONT

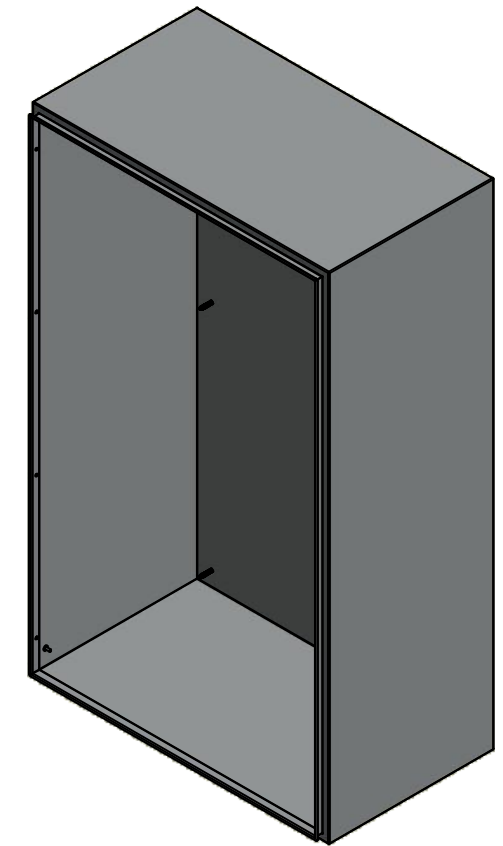


RIGHT

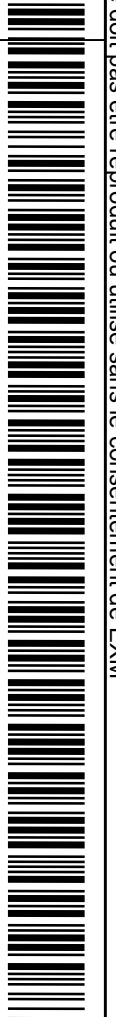


BOTTOM

| No. | Revisions | Date | By/Par |
|-----|-----------|------|--------|
| | | | |
| | | | |
| | | | |
| | | | |
| | | | |



Isometric View

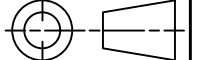


Tél: (450) 979-4373
 Fax: (450) 979-4626
www.exmweb.com

Flatness
Aplatissement

Max 3.0mm

Projection



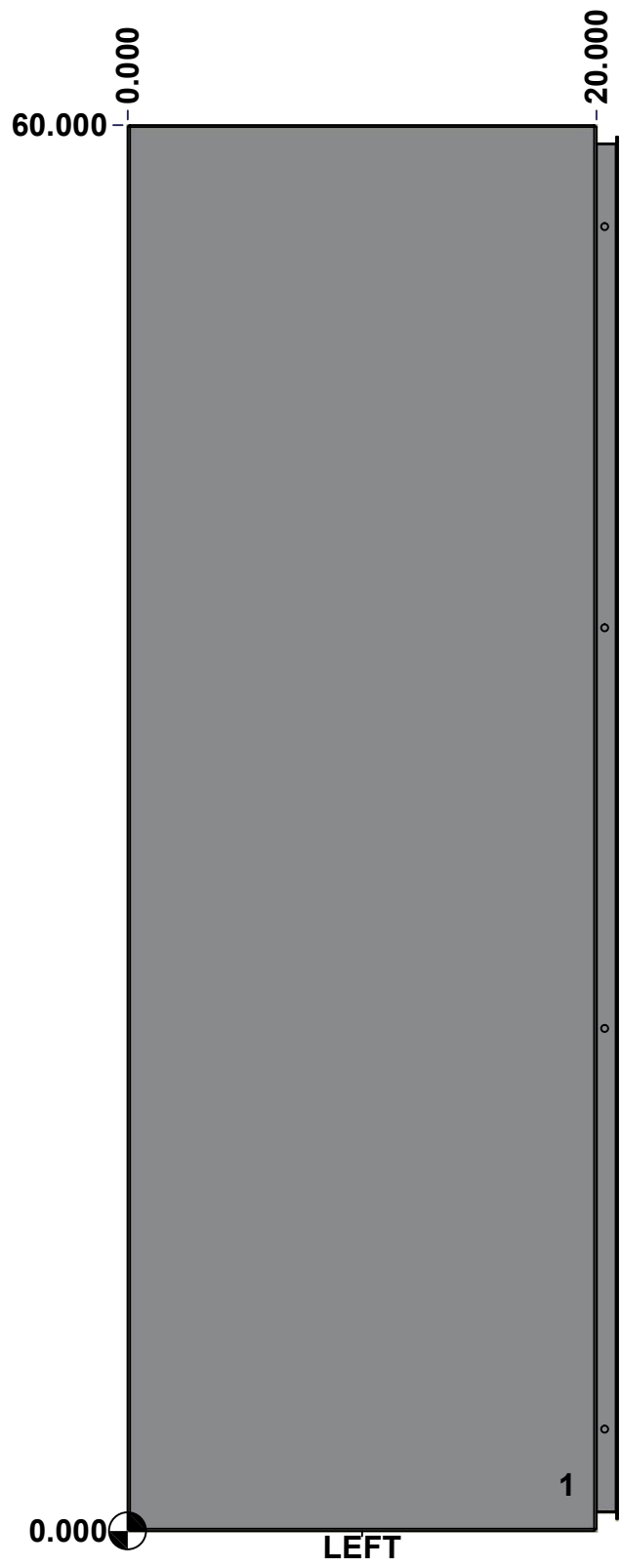
| | |
|---|-----------------------|
| Customer Client | Date |
| Drawn By Dessiné Par BoxCad: BoxCad | Date 22-Jun-22 |
| Material Matière 14 Ga Stainless Steel 304 (1.7mm) | |
| Color Couleur Asa-61 Grey | Finish Fini Smooth |
| Description 5412ESSP 60" x 36" x 20" Body | Detail Rev. |
| Part Number Numéro Pièce 5412ESSP603620NOIPB | Rev. 3 0 |

SEE BILL OF MATERIAL ON LAST PAGE

This drawing is confidential and must not be reproduced or used without the consent of EXM

Ce dessin est confidentiel et ne doit pas être reproduit ou utilisé sans le consentement de EXM

| STANDARD FEATURES ARE NOT LISTED IN THIS HOLE TABLE | | | |
|---|--------|-------|-----------------------------|
| HOLE TABLE - LEFT VIEW (CUSTOM FEATURE ONLY) | | | |
| CUT-OUT | XDIM | YDIM | DESCRIPTION |
| 1 | 18.500 | 2.000 | GND STUD M6 x 16mm (Inside) |



| | | |
|--|-------------------------------|----------|
| | Description | Status |
| | 5412ESSP 60" x 36" x 20" Body | (NULL) |
| | Part Number Numéro Pièce | Rev. |
| | 5412ESSP603620NOIPB | 0 |
| | | 4 |
| | | 9 |

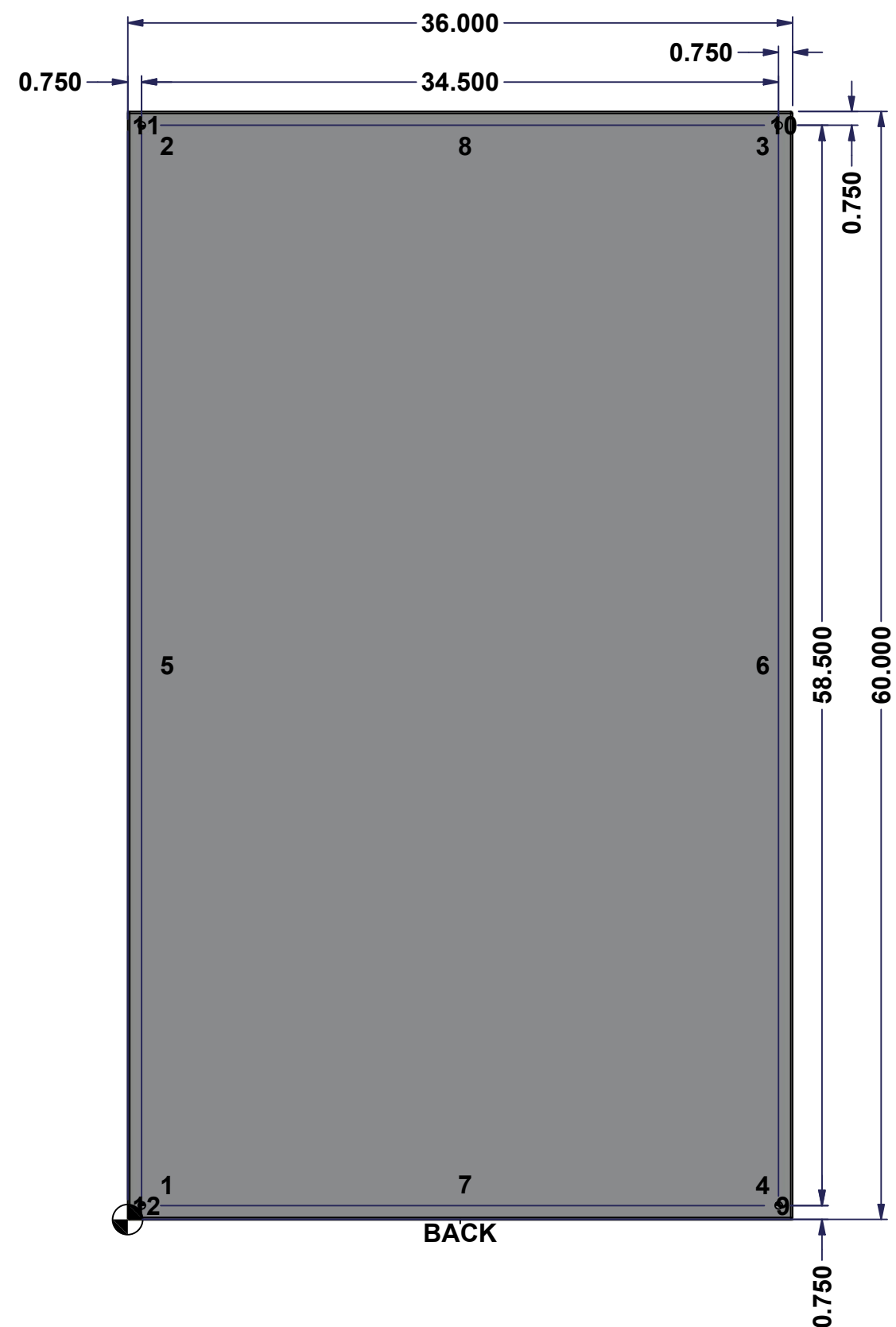
This drawing is confidential and must not be reproduced or used without the consent of EXM

Ce dessin est confidentiel et ne doit pas être reproduit ou utilisé sans le consentement de EXM

STANDARD FEATURES ARE NOT LISTED IN THIS HOLE TABLE

HOLE TABLE - BACK VIEW (CUSTOM FEATURE ONLY)

| CUT-OUT | XDIM | YDIM | DESCRIPTION |
|---------|--------|--------|----------------------------|
| 1 | 1.875 | 1.875 | IP STUD M8 x 35mm (Inside) |
| 2 | 1.875 | 58.125 | IP STUD M8 x 35mm (Inside) |
| 3 | 34.125 | 58.125 | IP STUD M8 x 35mm (Inside) |
| 4 | 34.125 | 1.875 | IP STUD M8 x 35mm (Inside) |
| 5 | 1.875 | 30.000 | IP STUD M8 x 35mm (Inside) |
| 6 | 34.125 | 30.000 | IP STUD M8 x 35mm (Inside) |
| 7 | 18.000 | 1.875 | IP STUD M8 x 35mm (Inside) |
| 8 | 18.000 | 58.125 | IP STUD M8 x 35mm (Inside) |
| ----- | | | |
| 9 | 35.250 | 0.750 | RND Ø0.390 |
| 10 | 35.250 | 59.250 | RND Ø0.390 |
| 11 | 0.750 | 59.250 | RND Ø0.390 |
| 12 | 0.750 | 0.750 | RND Ø0.390 |



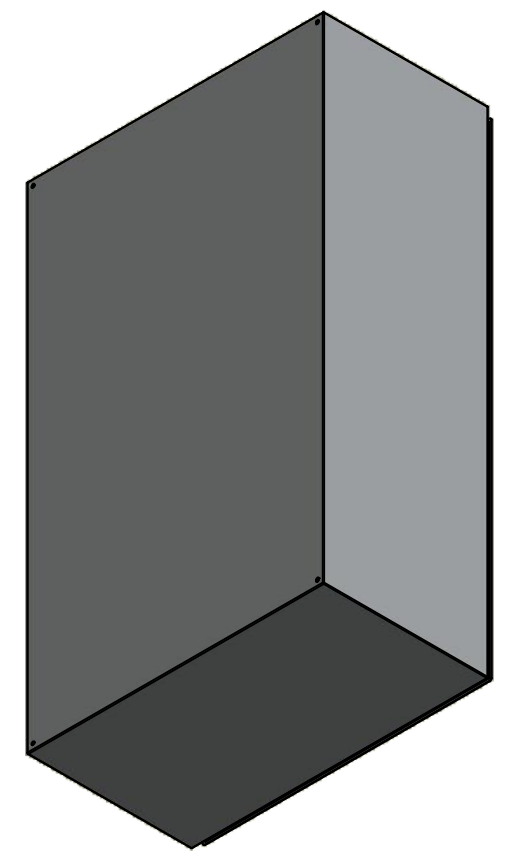
BACK

| | | | |
|-----------------------------|-------------------------------|----------|--------|
| | Description | | Status |
| | 5412ESSP 60" x 36" x 20" Body | | (NULL) |
| Part Number Numéro Pièce | | Rev. | 5 |
| 5412ESSP603620NOIPB | | 0 | 9 |

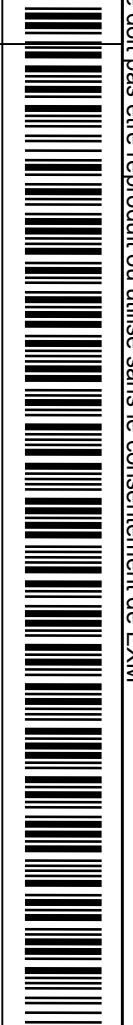
This drawing is confidential and must not be reproduced or used without the consent of EXM

Ce dessin est confidentiel et ne doit pas être reproduit ou utilisé sans le consentement de EXM

| No. | Revisions | Date | By/Par |
|-----|-----------|------|--------|
| | | | |
| | | | |
| | | | |
| | | | |
| | | | |



Isometric View



Tél: (450) 979-4373
 Fax: (450) 979-4626
www.exmweb.com

Flatness
Aplatissement
Max 3.0mm
Projection

| | |
|---|-----------------|
| Customer Client | Date |
| Drawn By / Dessiné Par: BoxCad: BoxCad | Date: 22-Jun-22 |
| Material / Matière: 14 Ga Stainless Steel 304 (1.7mm) | |

| | |
|------------------------------|-----------------------|
| Color / Couleur: Asa-61 Grey | Finish / Fini: Smooth |
|------------------------------|-----------------------|

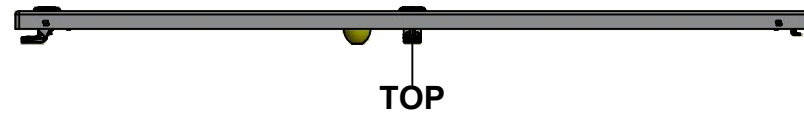
| | |
|--|-------------|
| Description: 5412ESSP 60" x 36" x 20" Body | Detail Rev. |
|--|-------------|

| | | |
|--|--------|-------|
| Part Number / Numéro Pièce: 5412ESSP603620NOIPB | Rev. 0 | 6 / 9 |
|--|--------|-------|

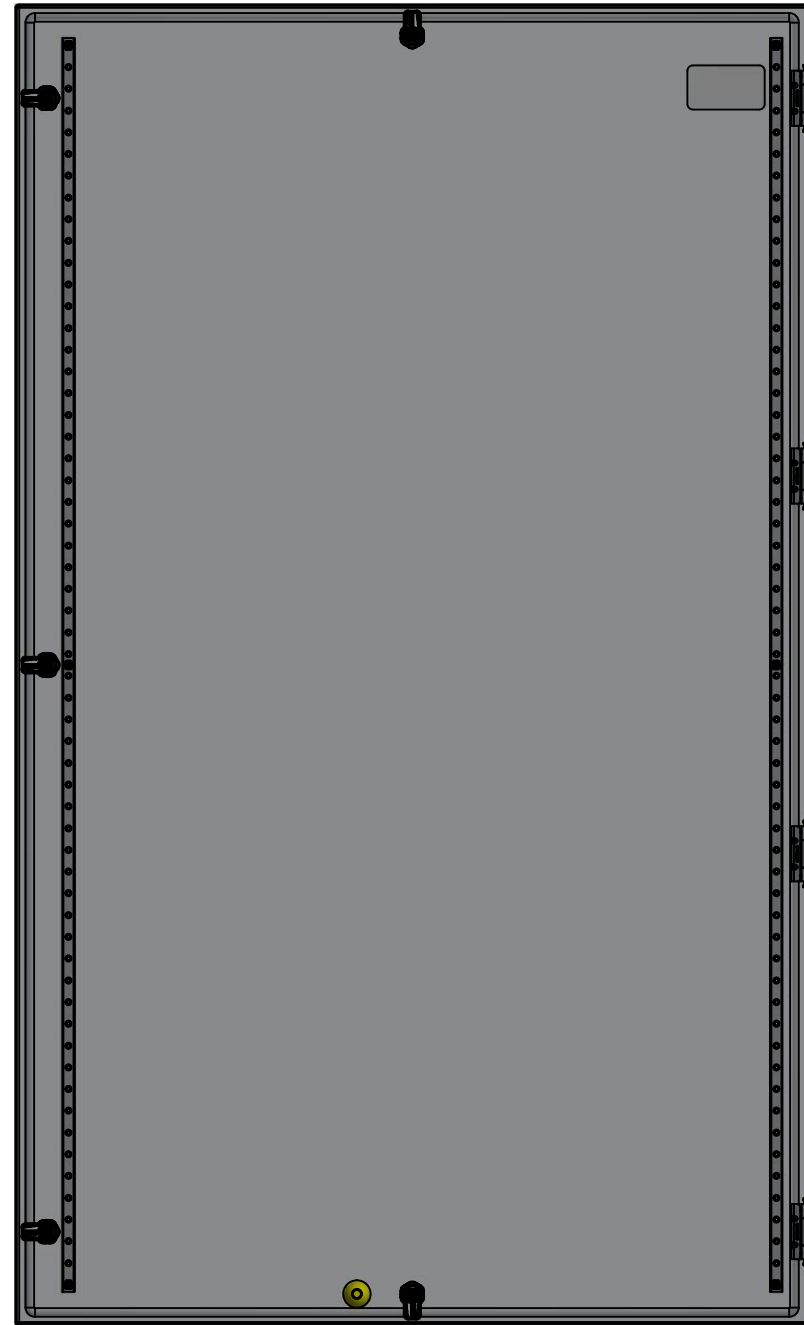
| Qty | Part Number | Rev | Description |
|------------|-----------------------|-----|---------------------------------------|
| 1 | STK-Q-16085 | 0 | Ground Stud M6 x 16mm Stainless Steel |
| 1 | STK-P-02400S | 0 | Powder Paint (Asa-61 Grey / Smooth) |
| 8 | STK-Q-16020 | 1 | Stud M8 x 35mm Stainless Steel |
| 1 | 5412ESSP603620NOIPB-P | 0 | 5412ESSP 60" x 36" x 20" Body Part |
| Parts List | | | |

This drawing is confidential and must not be reproduced or used without the consent of EXM

Ce dessin est confidentiel et ne doit pas être reproduit ou utilisé sans le consentement de EXM



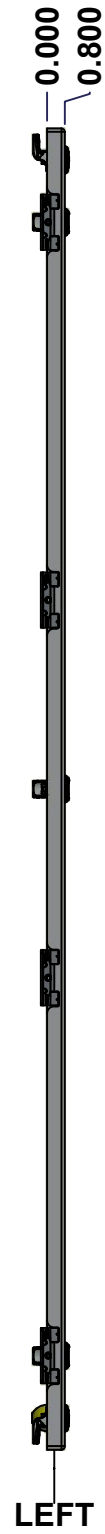
TOP



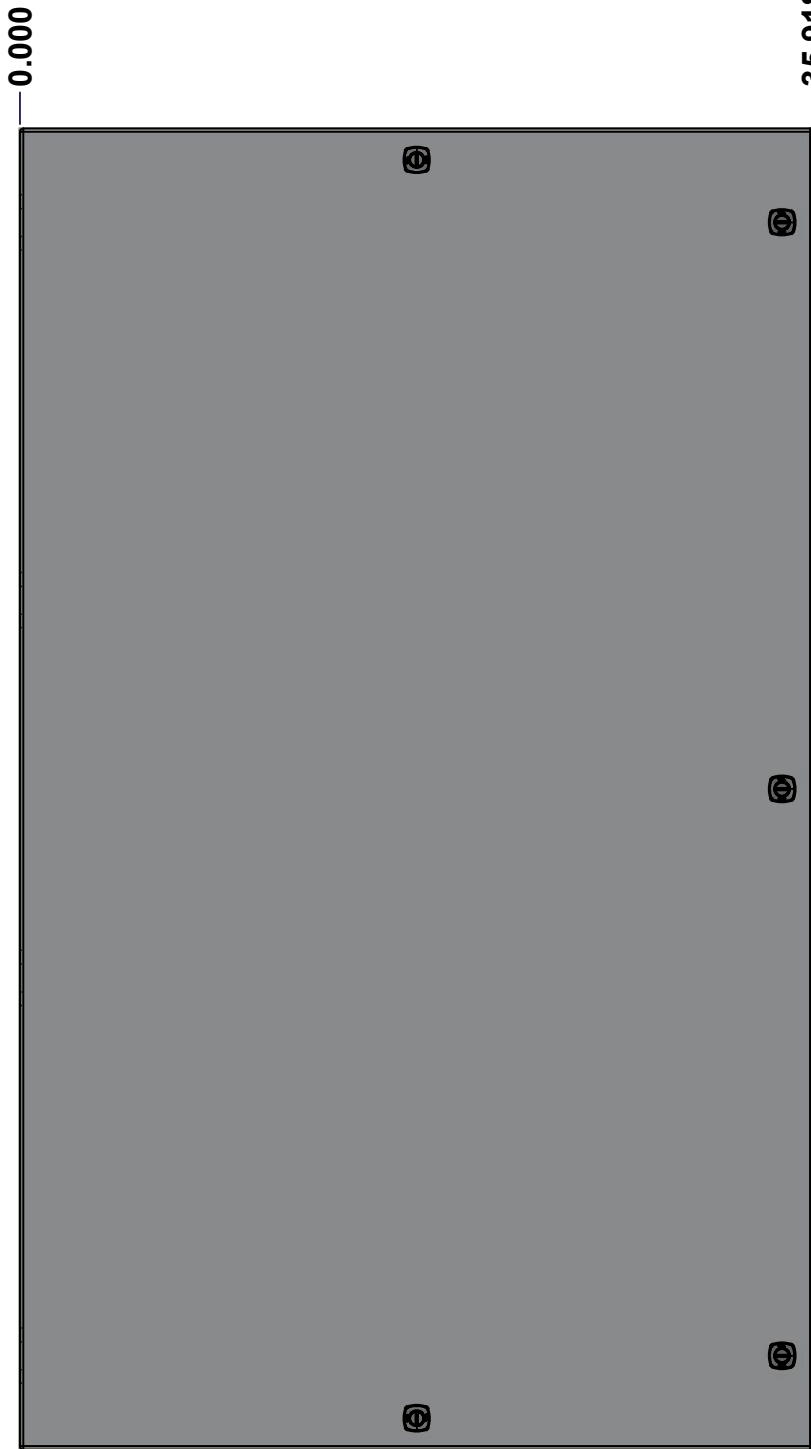
BACK



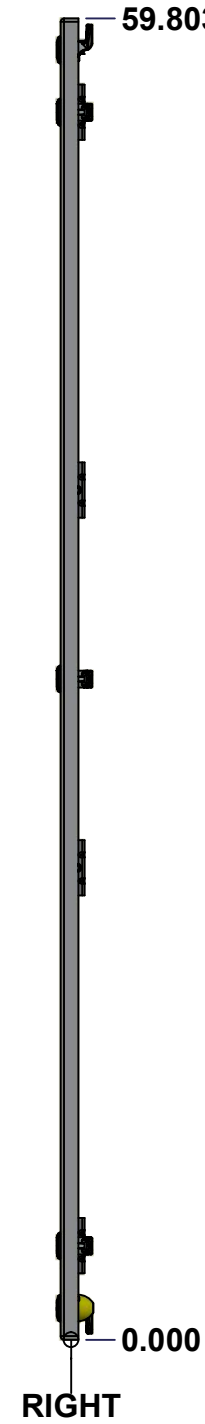
BOTTOM



LEFT

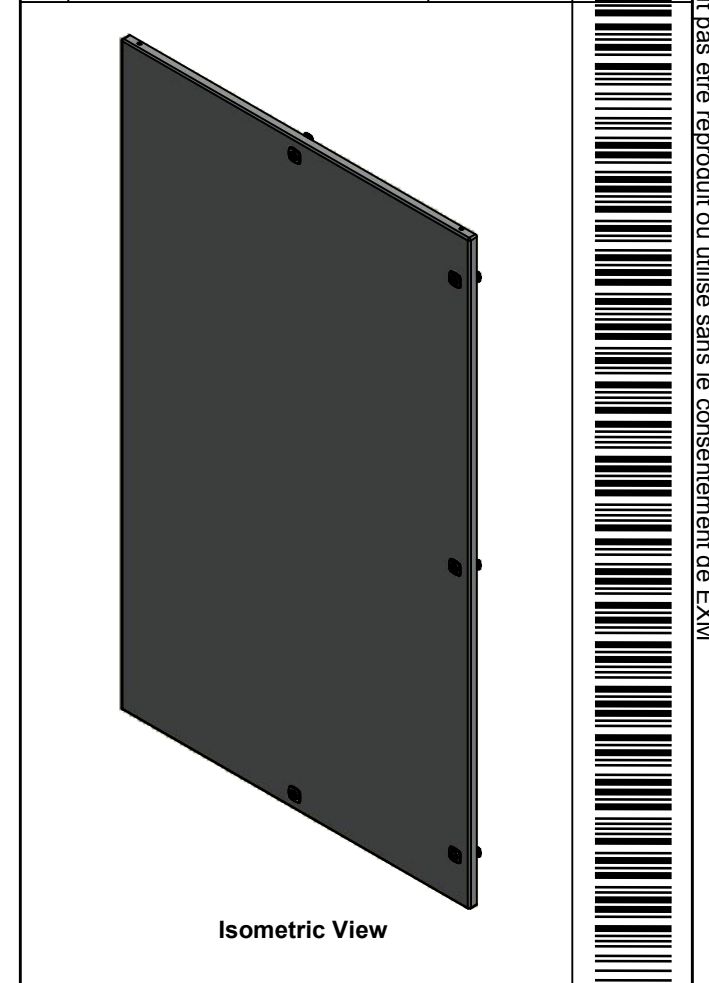


FRONT




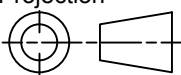
RIGHT

| No. | Revisions | Date | By/Par |
|-----|-----------|------|--------|
| | | | |
| | | | |
| | | | |
| | | | |
| | | | |



Isometric View



| | | |
|--|-----------------------------------|---|
|  Tél: (450) 979-4373 Fax: (450) 979-4626 www.exmweb.com | | Flatness Aplatissement Max 3.0mm Projection  |
| Customer Client | Date | |
| Drawn By Dessiné Par | BoxCad: BoxCad | Date 22-Jun-22 |
| Material Matière | 14 Ga Stainless Steel 304 (1.7mm) | |
| Color Couleur | Asa-61 Grey | Finish Fini Smooth |
| Description | Detail Rev. | |
| 5412ESSP 60" x 36" Cover | | |
| Part Number Numéro Pièce | Rev. 0 | 7 9 |

SEE BILL OF MATERIAL ON LAST PAGE

5412ESSP603620NOIPC

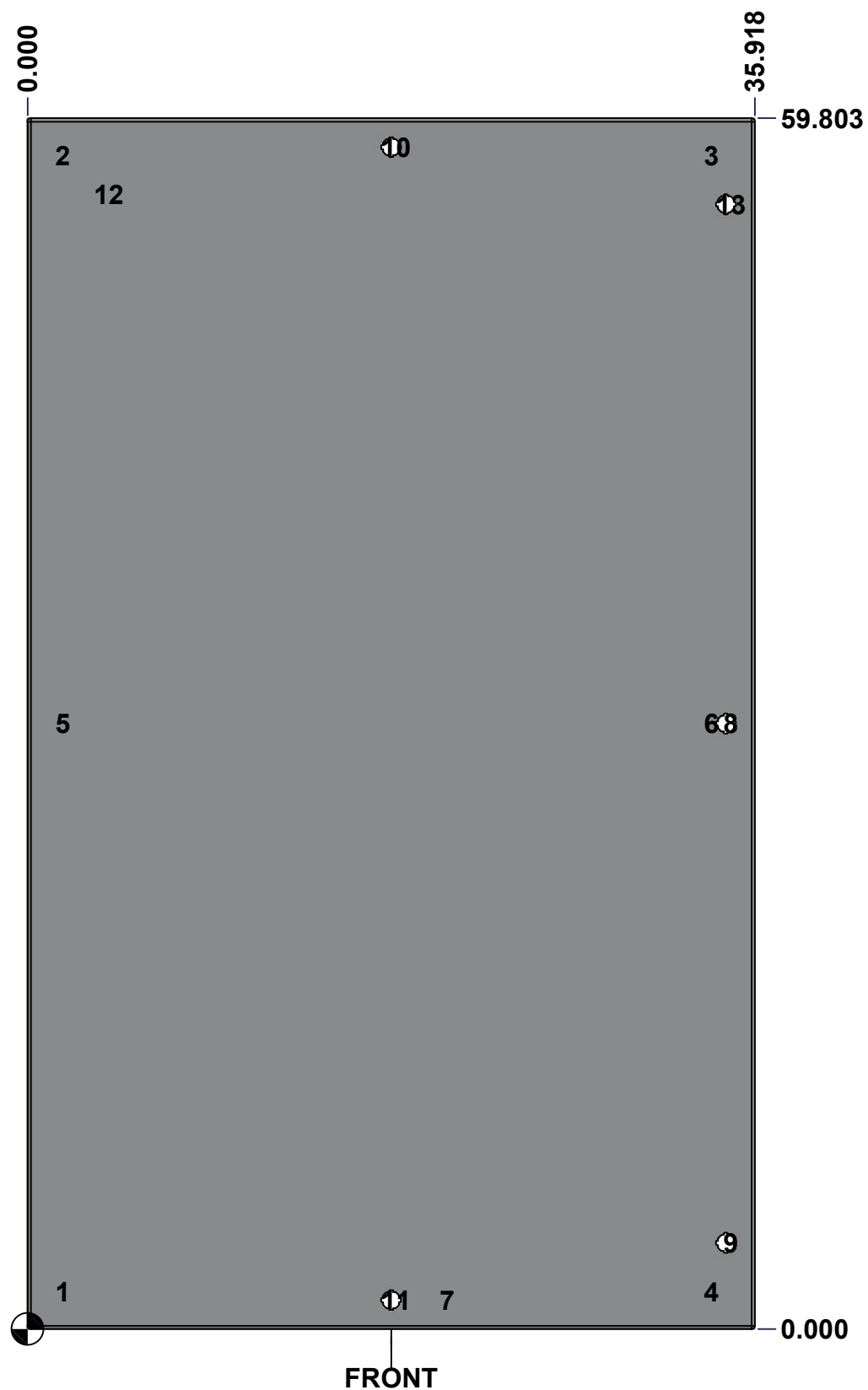
This drawing is confidential and must not be reproduced or used without the consent of EXM

Ce dessin est confidentiel et ne doit pas être reproduit ou utilisé sans le consentement de EXM

STANDARD FEATURES ARE NOT LISTED IN THIS HOLE TABLE

HOLE TABLE - FRONT VIEW (CUSTOM FEATURE ONLY)

| CUT-OUT | XDIM | YDIM | DESCRIPTION |
|---------|--------|--------|------------------------------|
| 1 | 1.486 | 1.850 | STUD M6 x 18mm (Inside) |
| 2 | 1.486 | 57.953 | STUD M6 x 18mm (Inside) |
| 3 | 33.517 | 57.953 | STUD M6 x 18mm (Inside) |
| 4 | 33.517 | 1.850 | STUD M6 x 18mm (Inside) |
| 5 | 1.486 | 29.902 | STUD M6 x 18mm (Inside) |
| 6 | 33.517 | 29.902 | STUD M6 x 18mm (Inside) |
| 7 | 20.459 | 1.435 | STUD M6 x 18mm (Inside) |
| ----- | | | |
| 8 | 34.494 | 29.902 | LOCK 880 SCQ4-SLSS6 @ 0.0° |
| 9 | 34.494 | 4.250 | LOCK 880 SCQ4-SLSS6 @ 0.0° |
| 10 | 17.959 | 58.379 | LOCK 880 SCQ4-SLSS6 @ 90.0° |
| 11 | 17.959 | 1.424 | LOCK 880 SCQ4-SLSS6 @ 270.0° |
| 12 | 3.750 | 56.053 | LABEL_EXM (Inside) |
| 13 | 34.494 | 55.553 | LOCK 880 SCQ4-SLSS6 @ 0.0° |



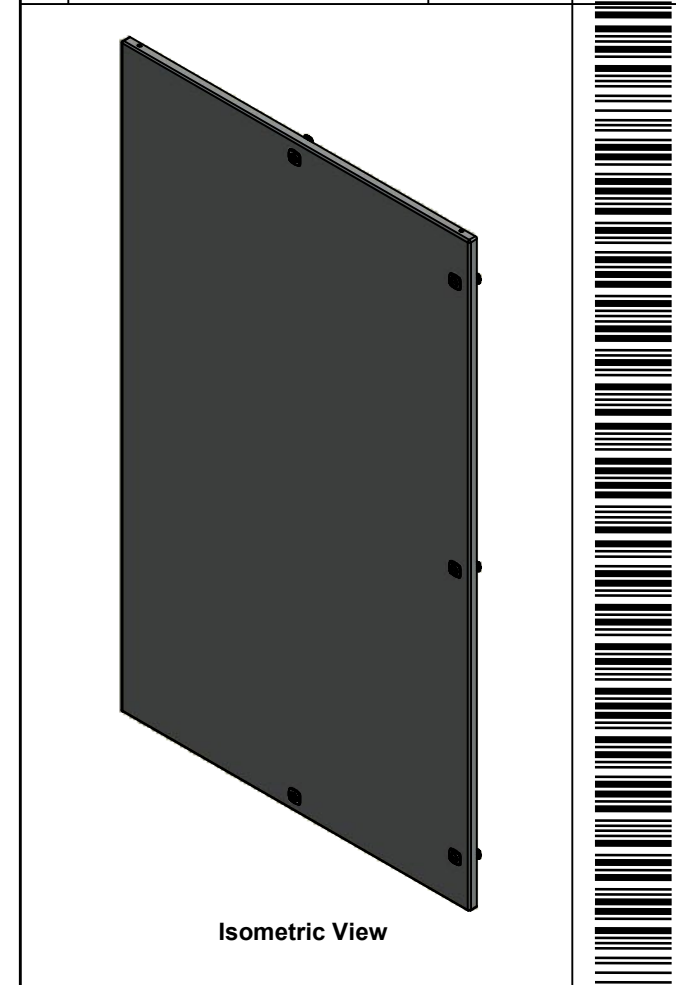
FRONT

| | | |
|---|--------------------------|--------|
| | Description | Status |
| | 5412ESSP 60" x 36" Cover | (NULL) |
| Part Number Numéro Pièce 5412ESSP603620NOIPC | Rev. | 8 |
| | 0 | 9 |

This drawing is confidential and must not be reproduced or used without the consent of EXM

Ce dessin est confidentiel et ne doit pas être reproduit ou utilisé sans le consentement de EXM

| No. | Revisions | Date | By/Par |
|-----|-----------|------|--------|
| | | | |
| | | | |
| | | | |
| | | | |
| | | | |



Isometric View



| | | |
|---|--|---|
|  | Tél: (450) 979-4373 Fax: (450) 979-4626 www.exmweb.com | Flatness Aplatissement Max 3.0mm |
| | | Projection  |

| 1 | STK-S-00100 | 0 | 3.5" x 2" Silver Milar Flexcon Sticker |
|------------|-----------------------|-----|--|
| 1 | STK-P-02400S | 0 | Powder Paint (Asa-61 Grey / Smooth) |
| 1 | STK-Q-46515 | 3 | 5412 ES Door Support with Brass Insert |
| 2 | STK-Q-46020-60 | 5 | 5412 ES Vertical Door Stiffener 60" |
| 7 | STK-Q-16070 | 1 | Stud M6 x 18mm Stainless steel |
| 1 | 5412ESSP603620NOIPG | 0 | 5412ESSP 60" x 36" Cover Gasket Part |
| 1 | 5412ESSP603620NOIPC-P | 0 | 5412ESSP 60" x 36" Cover Part |
| 4 | STK-A-33016 | 0 | 5412 ESS Bended Hinge (Body Part) |
| 5 | 880 SCQ4-SLSS6 | 7 | 5412 ESS 1/4 Turn Lock |
| 6 | STK-Q-07220 | 1 | M6 Nylon Insert Lock Nut |
| Qty | Part Name | Rev | Description |
| Parts List | | | |

| | |
|-----------------------------|-----------------------------------|
| Customer Client | Date |
| Drawn By Dessiné Par | Date 22-Jun-22 |
| Material Matière | 14 Ga Stainless Steel 304 (1.7mm) |
| Color Couleur | Asa-61 Grey |
| Finish Fini | Smooth |
| Description | Detail Rev. |
| 5412ESSP 60" x 36" Cover | |
| Part Number Numéro Pièce | Rev. 9 |
| 5412ESSP603620NOIPC | 0 |