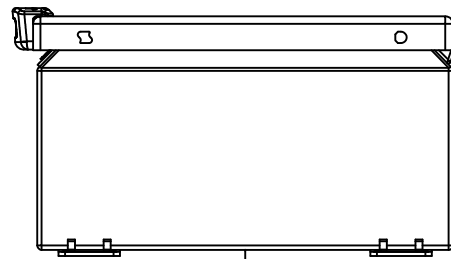
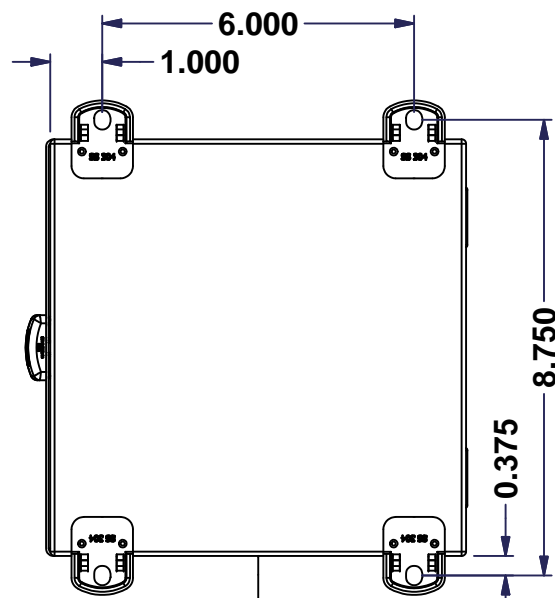


This drawing is confidential and must not be reproduced or used without the consent of EXM

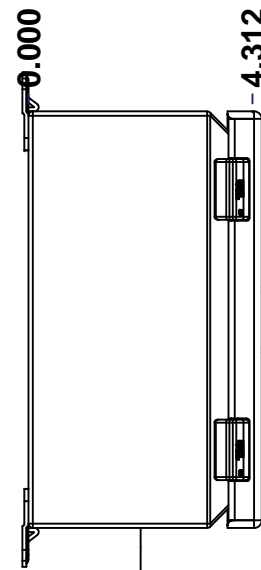
Ce dessin est confidentiel et ne doit pas être reproduit ou utilisé sans le consentement de EXM



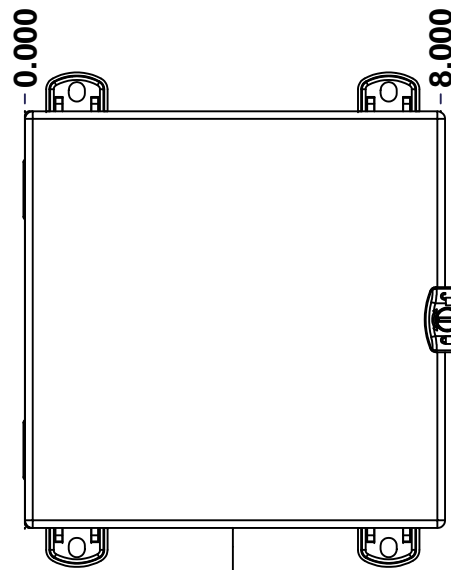
TOP



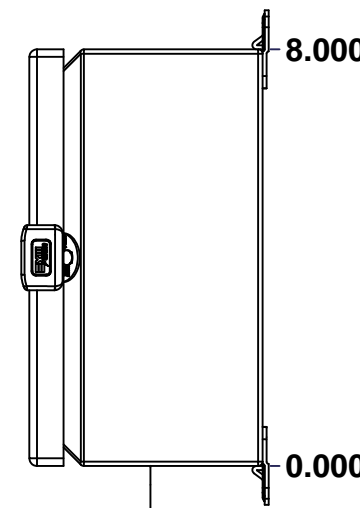
BACK



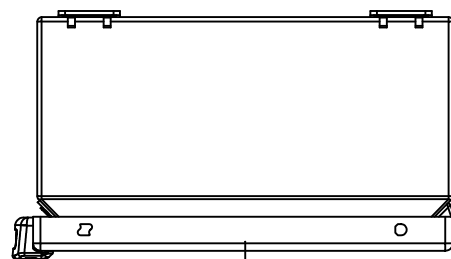
LEFT



FRONT

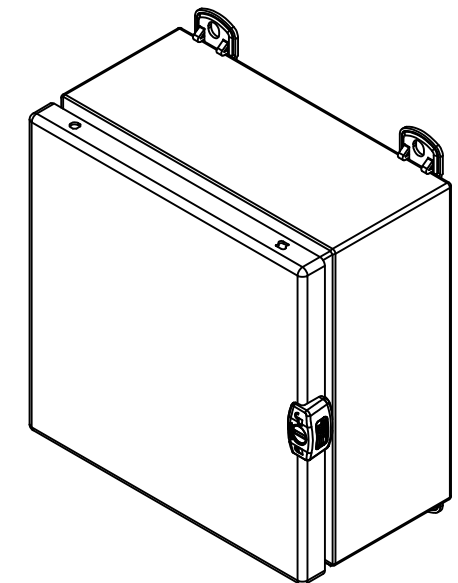


RIGHT



BOTTOM

| No. | Revisions | Date | By/Par |
|-----|-----------|------|--------|
| | | | |
| | | | |
| | | | |
| | | | |



Isometric View



Tél: (450) 979-4373
 Fax: (450) 979-4626
www.exmweb.com

Flatness
Aplatissement
Max 3.0mm
Projection

| | |
|---|-----------------------|
| Customer Client | Date |
| Drawn By / Dessiné Par: BoxCad: BoxCad | Date: 08-Jan-14 |
| Material / Matière: 16 Ga Stainless Steel 304 (1.4mm) | |
| Color / Couleur: Asa-61 Grey | Finish / Fini: Smooth |
| Description: 5412ESSPCH 8" x 8" x 4" Assembly | Detail Rev. |

| | | |
|--|--------|-------|
| Part Number / Numéro Pièce: 5412ESSPCH080804 | Rev. 0 | 1 / 2 |
|--|--------|-------|

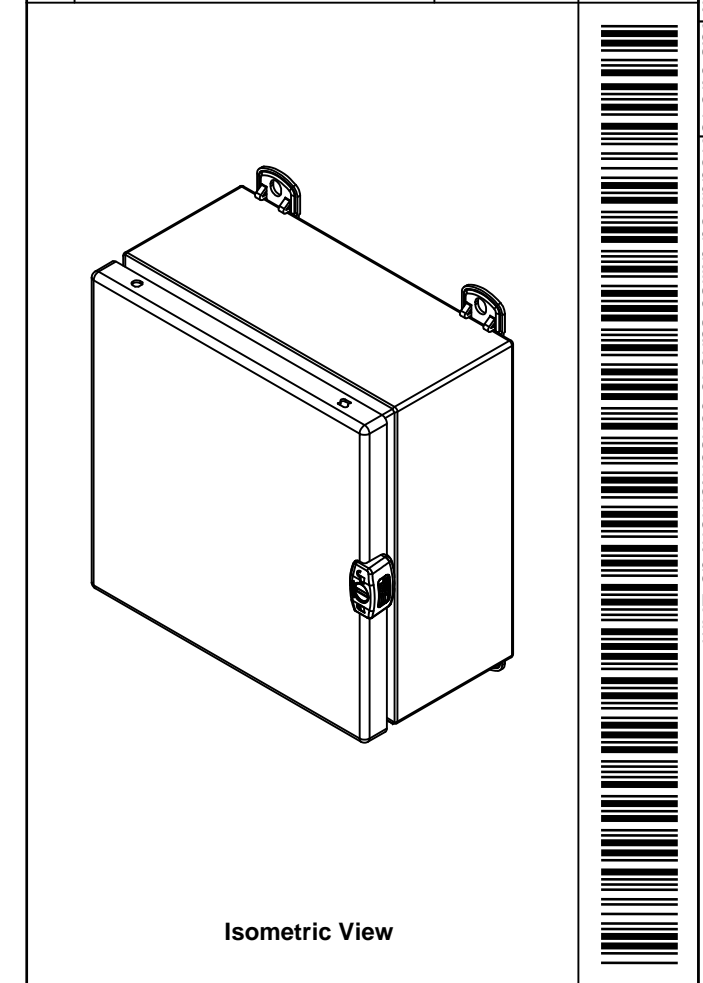
SEE BILL OF MATERIAL ON LAST PAGE


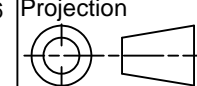
This drawing is confidential and must not be reproduced or used without the consent of EXM

Ce dessin est confidentiel et ne doit pas être reproduit ou utilisé sans le consentement de EXM

| NOTE | |
|------|--|
| ITEM | DESCRIPTION |
| 1 | NEMA 4X Enclosure |
| 2 | C/W Standard ground standoffs on box and cover |
| 3 | W/O Standard door stiffener |
| 4 | C/W Standard inner panel (Included) |
| 5 | C/W Standard inner panel mounting standoffs |
| 6 | C/W 885 ESCHMF2 Mounting Feet (Welded) |

| No. | Revisions | Date | By/Par |
|-----|-----------|------|--------|
| | | | |
| | | | |
| | | | |
| | | | |
| | | | |
| | | | |



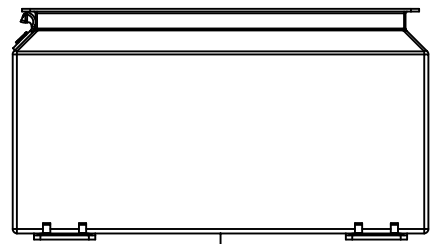
| | | |
|--|-----------------------------------|---|
|  Tél: (450) 979-4373 Fax: (450) 979-4626 www.exmweb.com | | Flatness Aplatissement Max 3.0mm Projection  |
| Customer Client | Date | |
| Drawn By Dessiné Par | BoxCad: BoxCad | Date 08-Jan-14 |
| Material Matière | 16 Ga Stainless Steel 304 (1.4mm) | |
| Color Couleur | Asa-61 Grey | Finish Fini Smooth |
| Description | Detail Rev. | |
| 5412ESSPCH 8" x 8" x 4" Assembly | | |
| Part Number Numéro Pièce | Rev. 0 | 2 |
| 5412ESSPCH080804 | | 2 |

| PACKING | | |
|-----------------|-----|--|
| ITEM | QTY | DESCRIPTION |
| STK-E-04308 | 1 | CARTON 5412 ESCH080804 |
| Plastic bag | 1 | To protect cover surface and inside gasket |
| Packaging label | 1 | White label with product number |
| STK-S-01100 | 1 | ESCH EXM SQUARE STICKER |

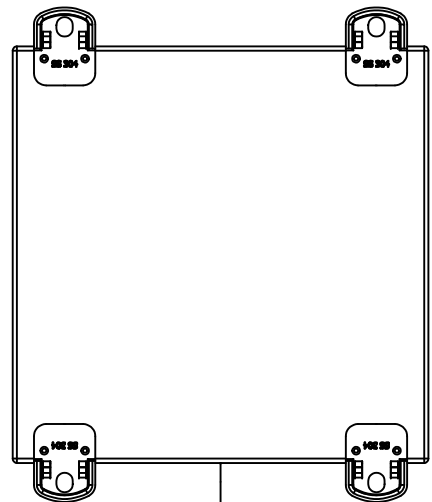
| Qty | Part Number | Rev | Description |
|------------|-------------------|-----|------------------------------|
| 1 | 5412ESSPCH080804C | 0 | 5412ESSPCH 8" x 8" Cover |
| 1 | 880 SP0808G | 0 | 880 SP0808G - Inner Panel |
| 1 | STK-K-02910 | 3 | 5412 ESCH Accessory Kit |
| 1 | 5412ESSPCH080804B | 0 | 5412ESSPCH 8" x 8" x 4" Body |
| 2 | STK-Q-08100 | 1 | M5 Nylon Insert Lock Nut |
| Parts List | | | |

This drawing is confidential and must not be reproduced or used without the consent of EXM

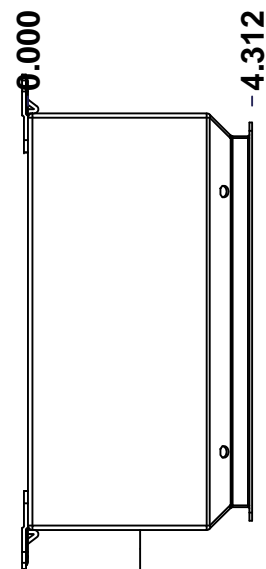
Ce dessin est confidentiel et ne doit pas être reproduit ou utilisé sans le consentement de EXM



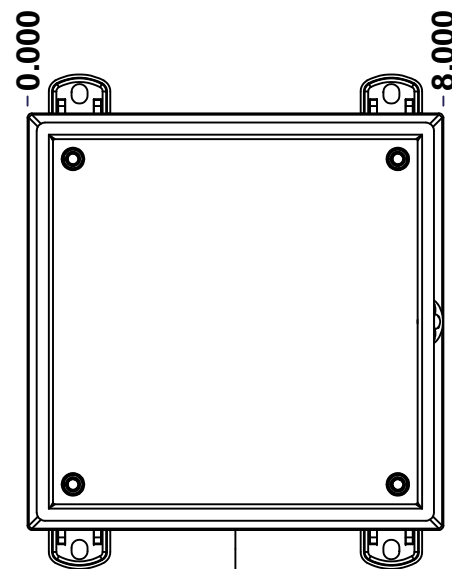
TOP



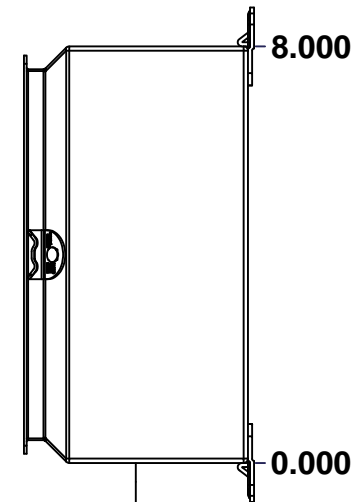
BACK



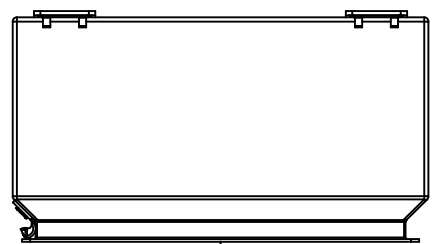
LEFT



FRONT

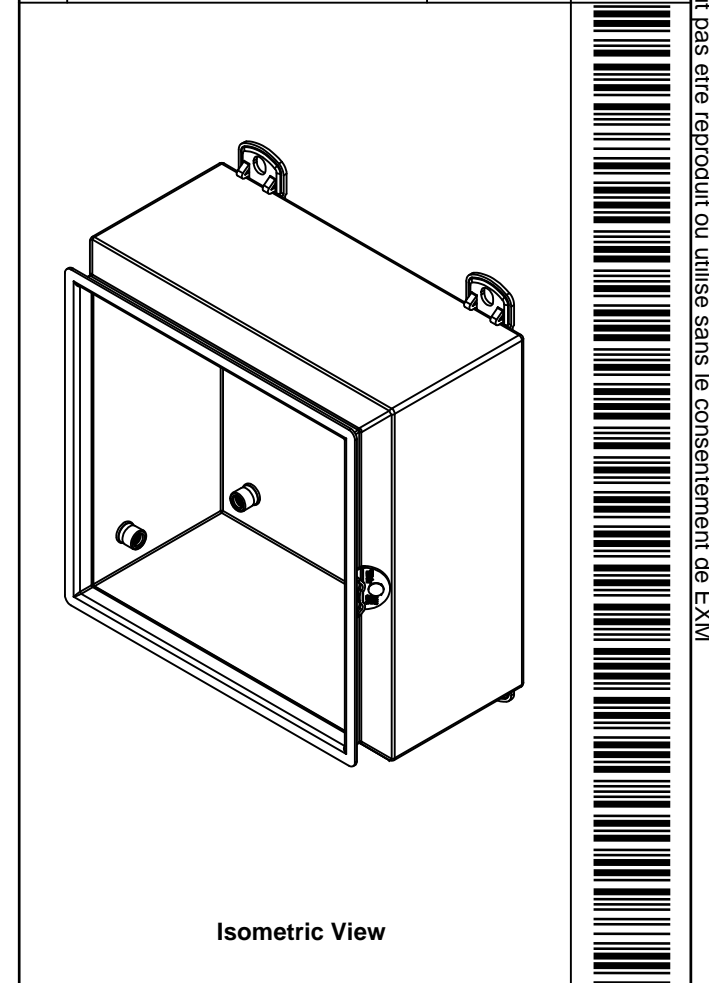



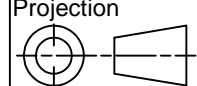
RIGHT



BOTTOM

| No. | Revisions | Date | By/Par |
|-----|-----------|------|--------|
| | | | |
| | | | |
| | | | |
| | | | |



| | | | |
|--|--|---|-------|
|  Tél: (450) 979-4373 Fax: (450) 979-4626 www.exmweb.com | | Flatness Aplatissement Max 3.0mm Projection  | |
| Customer Client | | Date | |
| Drawn By / Dessiné Par: BoxCad: BoxCad | | Date: 08-Jan-14 | |
| Material / Matière: 16 Ga Stainless Steel 304 (1.4mm) | | Color / Couleur: Asa-61 Grey | |
| Description: 5412ESSPCH 8" x 8" x 4" Body | | Finish / Fini: Smooth | |
| Part Number / Numéro Pièce: 5412ESSPCH080804B | | Rev. 0 | 1 / 7 |

SEE BILL OF MATERIAL ON LAST PAGE

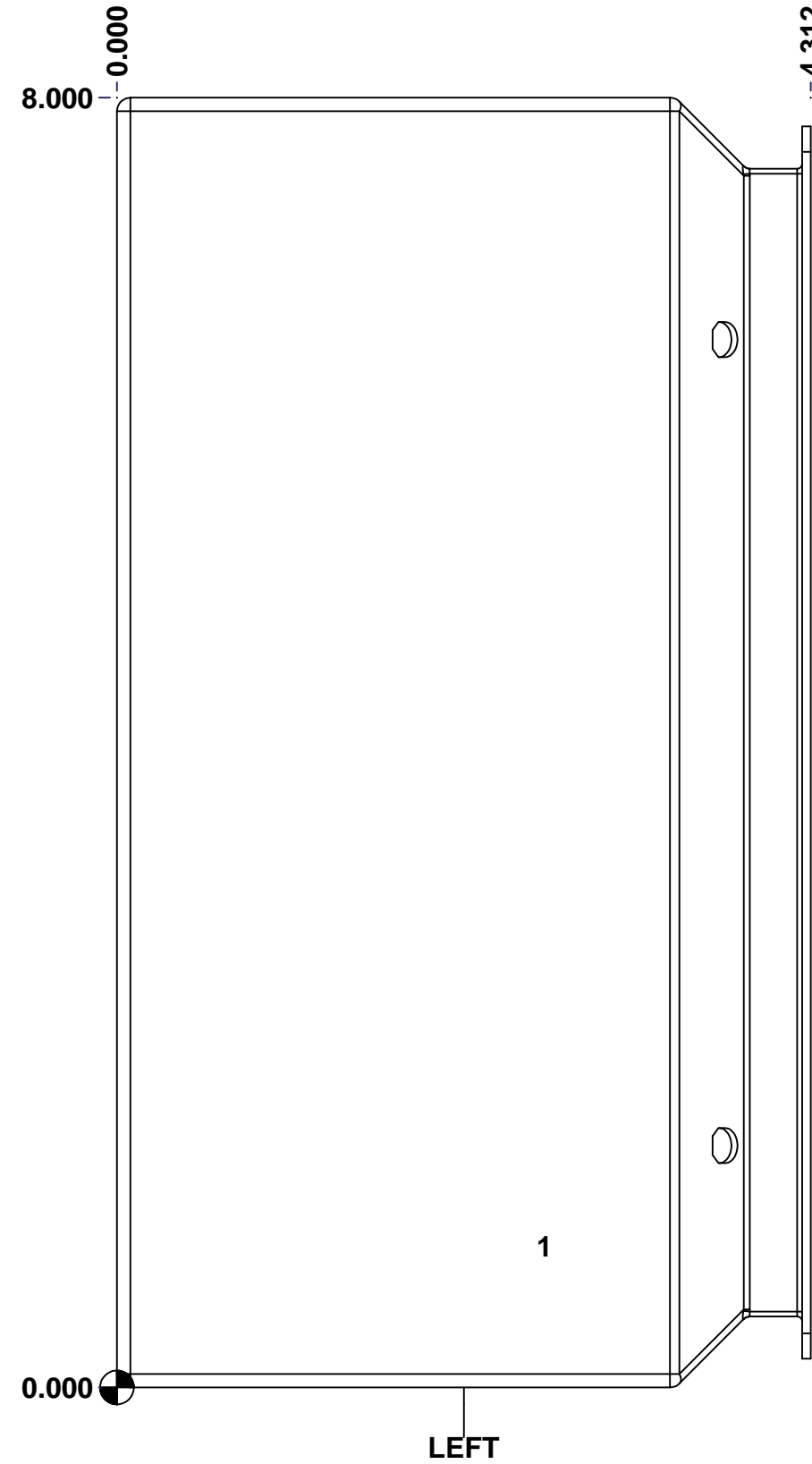
This drawing is confidential and must not be reproduced or used without the consent of EXM

Ce dessin est confidentiel et ne doit pas être reproduit ou utilisé sans le consentement de EXM

STANDARD FEATURES ARE NOT LISTED IN THIS HOLE TABLE

HOLE TABLE - LEFT VIEW (CUSTOM FEATURE ONLY)

| CUT-OUT | XDIM | YDIM | DESCRIPTION |
|---------|-------|-------|-----------------------------|
| 1 | 2.625 | 0.875 | STANDOFF M6 x 10mm (Inside) |



| | | | | |
|-----------------------------|------------------------------|----------|--------|---|
| | Description | | Status | |
| | 5412ESSPCH 8" x 8" x 4" Body | | (NULL) | |
| Part Number Numéro Pièce | | Rev. | 5 | 7 |
| 5412ESSPCH080804B | | 0 | | |

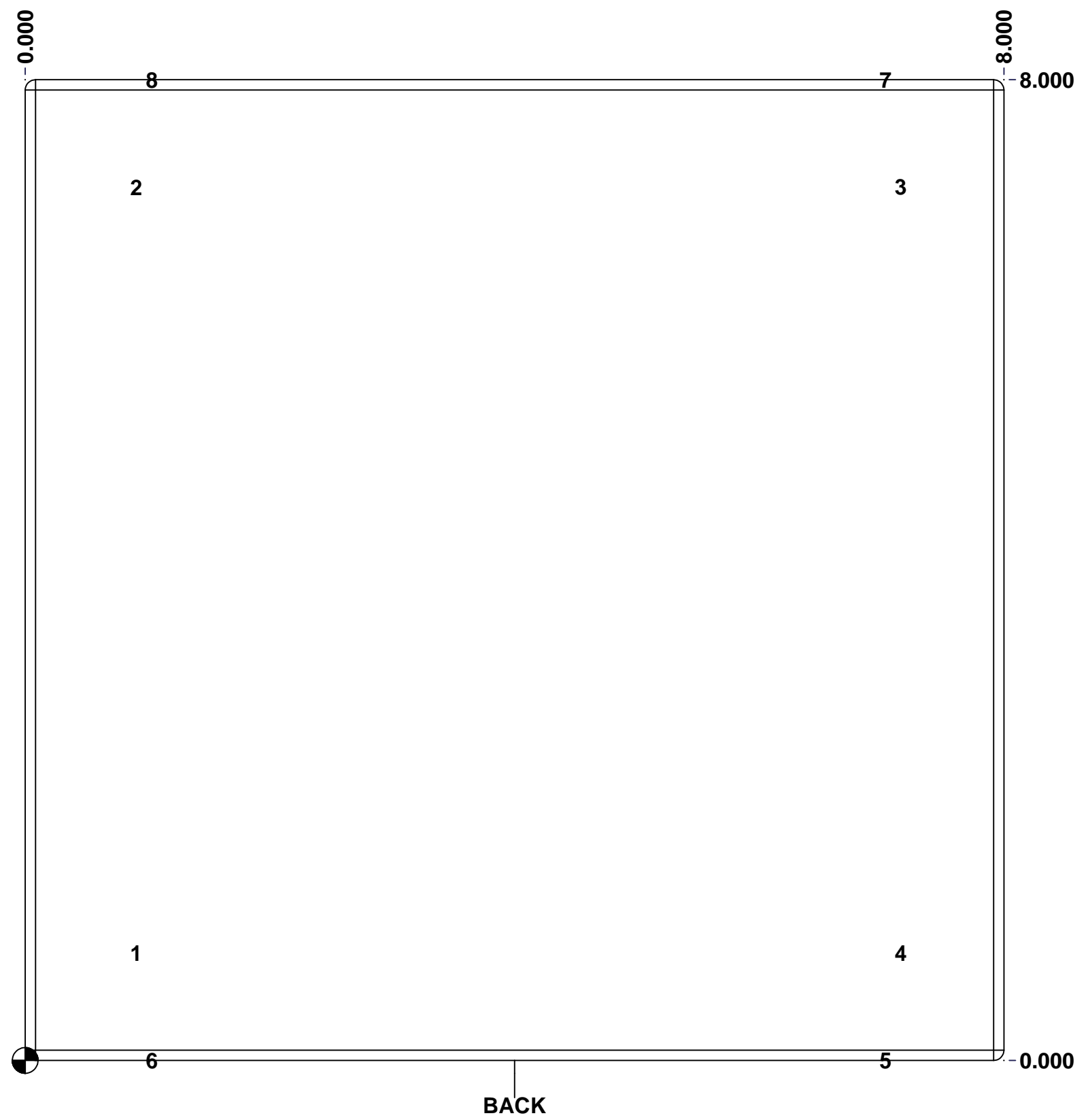
This drawing is confidential and must not be reproduced or used without the consent of EXM

Ce dessin est confidentiel et ne doit pas être reproduit ou utilisé sans le consentement de EXM

STANDARD FEATURES ARE NOT LISTED IN THIS HOLE TABLE

HOLE TABLE - BACK VIEW (CUSTOM FEATURE ONLY)

| CUT-OUT | XDIM | YDIM | DESCRIPTION |
|---------|-------|-------|--------------------------------|
| 1 | 0.875 | 0.875 | IP STANDOFF M6 x 10mm (Inside) |
| 2 | 0.875 | 7.125 | IP STANDOFF M6 x 10mm (Inside) |
| 3 | 7.125 | 7.125 | IP STANDOFF M6 x 10mm (Inside) |
| 4 | 7.125 | 0.875 | IP STANDOFF M6 x 10mm (Inside) |
| ----- | | | |
| 5 | 7.000 | 0.000 | FOOT 885 ESCHMF2 |
| 6 | 1.000 | 0.000 | FOOT 885 ESCHMF2 |
| 7 | 7.000 | 8.000 | FOOT 885 ESCHMF2 |
| 8 | 1.000 | 8.000 | FOOT 885 ESCHMF2 |

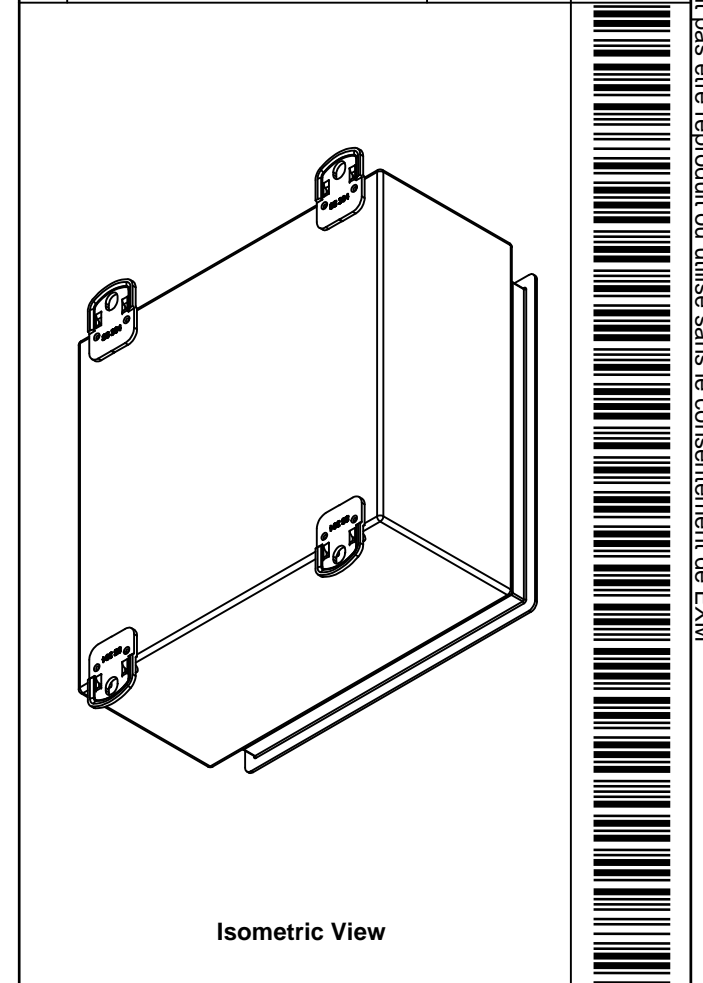



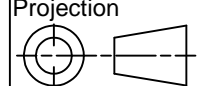
| | | |
|--|------------------------------|----------|
| | Description | Status |
| | 5412ESSPCH 8" x 8" x 4" Body | (NULL) |
| | Part Number Numéro Pièce | Rev. |
| | 5412ESSPCH080804B | 0 |
| | | 6 7 |

This drawing is confidential and must not be reproduced or used without the consent of EXM

Ce dessin est confidentiel et ne doit pas être reproduit ou utilisé sans le consentement de EXM

| No. | Revisions | Date | By/Par |
|-----|-----------|------|--------|
| | | | |
| | | | |
| | | | |
| | | | |
| | | | |

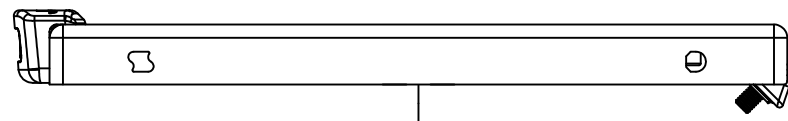


| | | |
|--|-----------------------------------|---|
|  Tél: (450) 979-4373 Fax: (450) 979-4626 www.exmweb.com | | Flatness Aplatissement Max 3.0mm Projection  |
| Customer Client | Date | |
| Drawn By Dessiné Par | BoxCad: BoxCad | Date 08-Jan-14 |
| Material Matière | 16 Ga Stainless Steel 304 (1.4mm) | |
| Color Couleur | Asa-61 Grey | Finish Fini Smooth |
| Description | | Detail Rev. |
| 5412ESSPCH 8" x 8" x 4" Body | | |
| Part Number Numéro Pièce | Rev. 7 | 7 |
| 5412ESSPCH080804B | 0 | 7 |

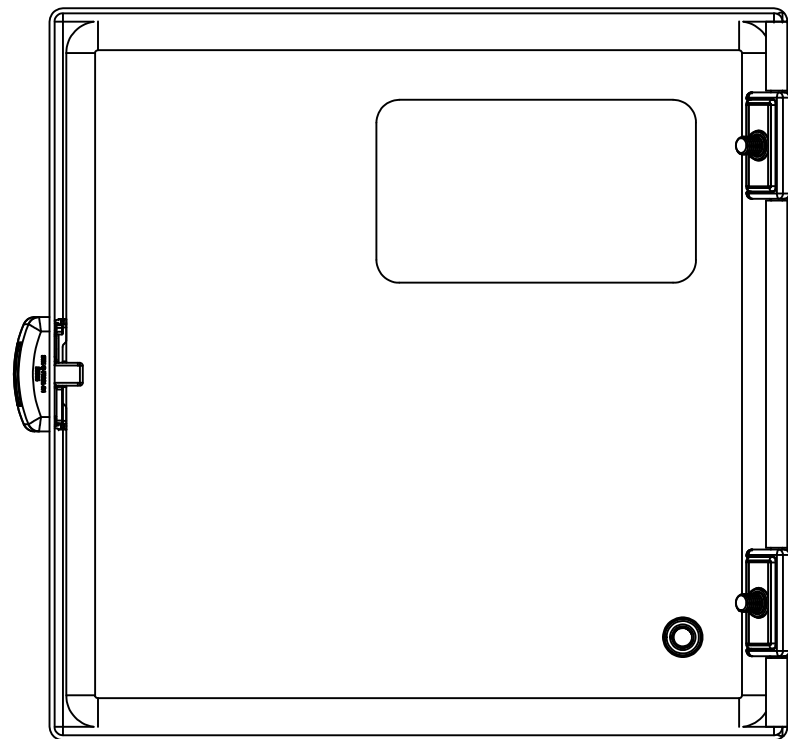
| Qty | Part Number | Rev | Description |
|------------|---------------------|-----|---|
| 1 | STK-A-70469 | 6 | 5412 ESSMCH - Stainless Steel 316 Body Catch Assembly |
| 1 | STK-Q-08100 | 1 | M5 Nylon Insert Lock Nut |
| 1 | STK-P-02400S | 0 | Powder Paint (Asa-61 Grey / Smooth) |
| 1 | 5412ESSPCH080804B-P | 0 | 5412ESSPCH 8" x 8" x 4" Body Part |
| 4 | STK-Q-71316 | 4 | 5412 ESSMCH Stainless Steel Mounting Foot |
| 5 | STK-Q-08500 | 4 | Stainless Steel Standoff M6 x 10mm |
| Parts List | | | |

This drawing is confidential and must not be reproduced or used without the consent of EXM

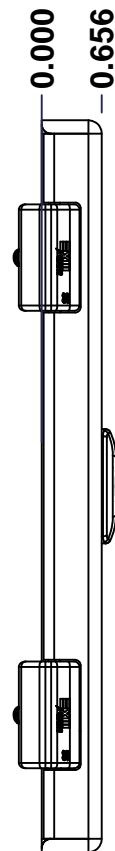
Ce dessin est confidentiel et ne doit pas être reproduit ou utilisé sans le consentement de EXM



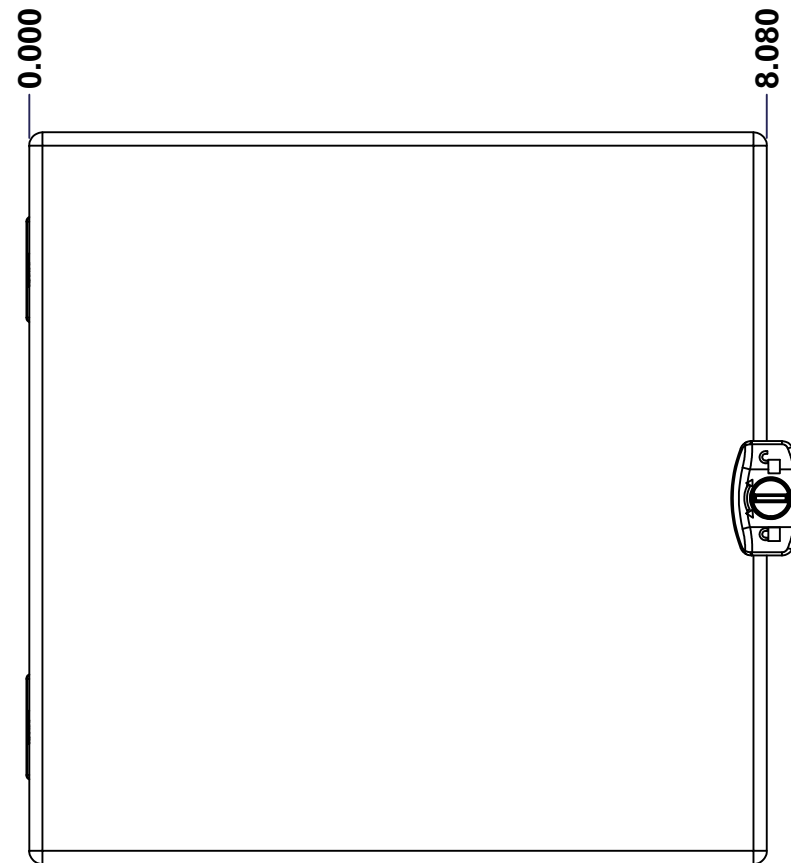
TOP



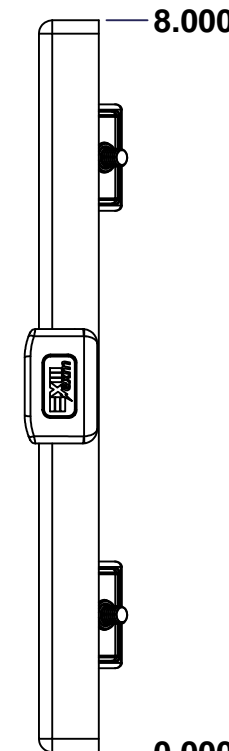
BACK



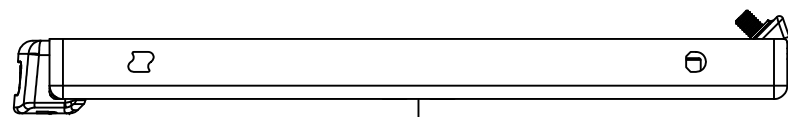
LEFT



FRONT

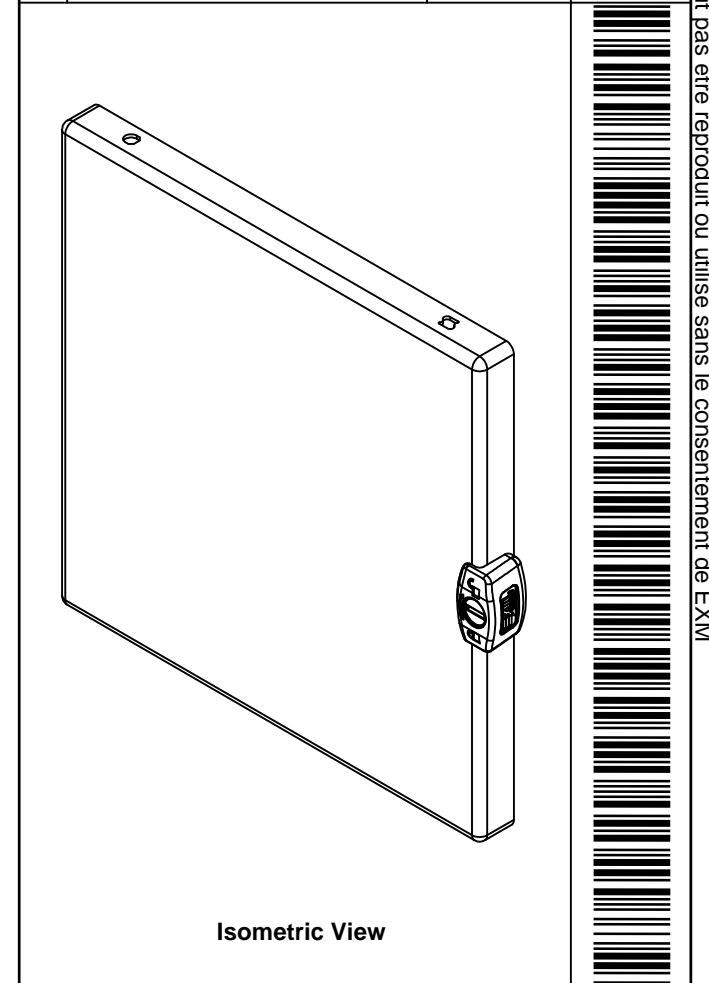



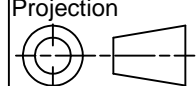
RIGHT



BOTTOM

| No. | Revisions | Date | By/Par |
|-----|-----------|------|--------|
| | | | |
| | | | |
| | | | |
| | | | |



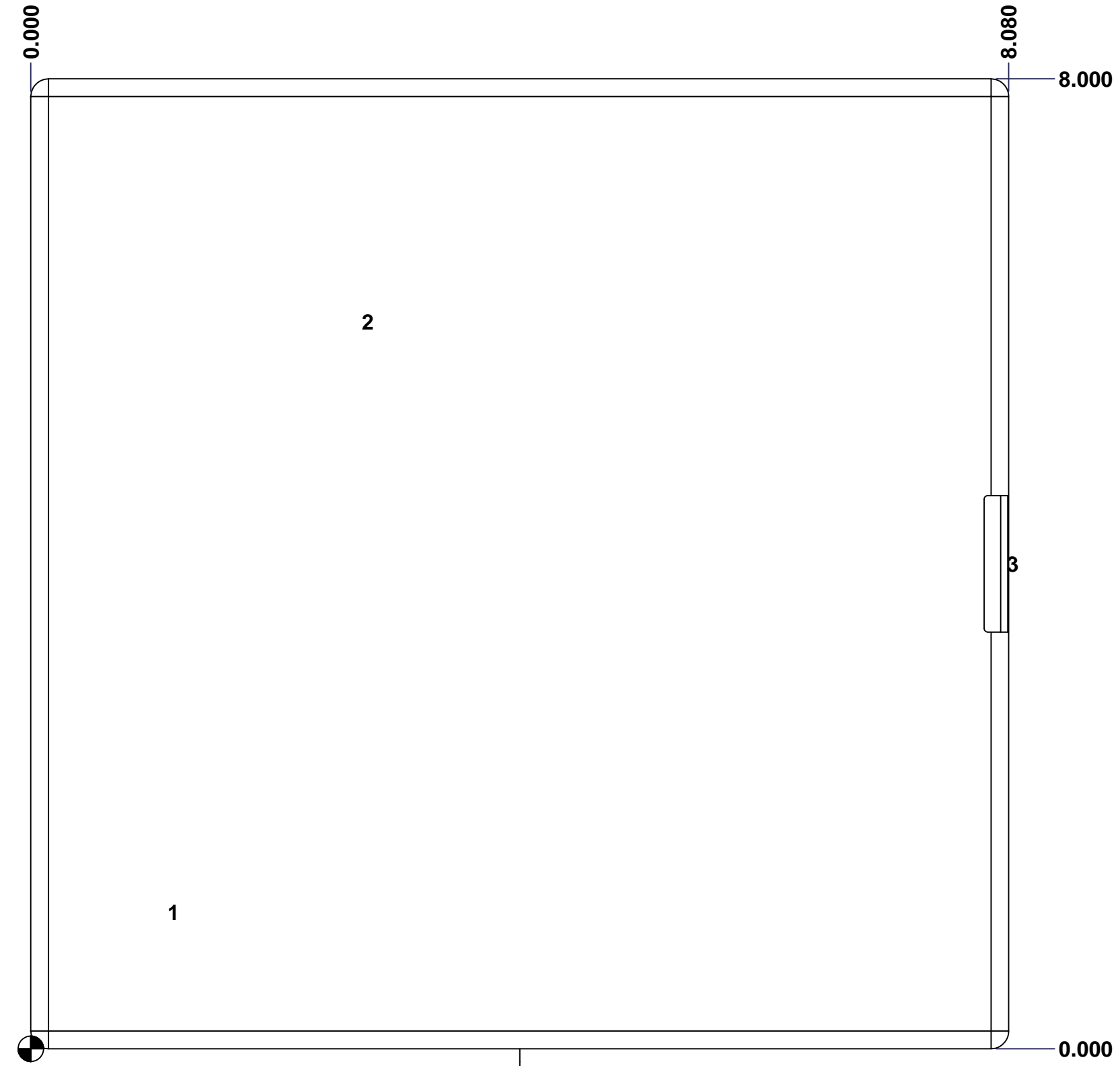
| | | | |
|--|--|---|--------|
|  Tél: (450) 979-4373 Fax: (450) 979-4626 www.exmweb.com | | Flatness Aplatissement | |
| | | Max 3.0mm | |
| Customer Client | | Date | |
| Drawn By Dessiné Par BoxCad: BoxCad | | Date 08-Jan-14 | |
| Material Matière 16 Ga Stainless Steel 304 (1.4mm) | | Projection | |
| Color Couleur Asa-61 Grey | |  Finish Fini Smooth | |
| Description 5412ESSPCH 8" x 8" Cover | | Detail Rev. | |
| Part Number Numéro Pièce 5412ESSPCH080804C | | Rev. 0 | 1 3 |

SEE BILL OF MATERIAL ON LAST PAGE

This drawing is confidential and must not be reproduced or used without the consent of EXM

Ce dessin est confidentiel et ne doit pas être reproduit ou utilisé sans le consentement de EXM

| STANDARD FEATURES ARE NOT LISTED IN THIS HOLE TABLE | | | |
|---|-------|-------|-----------------------------|
| HOLE TABLE - FRONT VIEW (CUSTOM FEATURE ONLY) | | | |
| CUT-OUT | XDIM | YDIM | DESCRIPTION |
| 1 | 1.145 | 1.125 | STANDOFF M6 x 10mm (Inside) |
| 2 | 2.750 | 6.000 | LABEL_EXM |
| 3 | 8.080 | 4.000 | LOCK 880 SCQ3MS @ 0.0° |



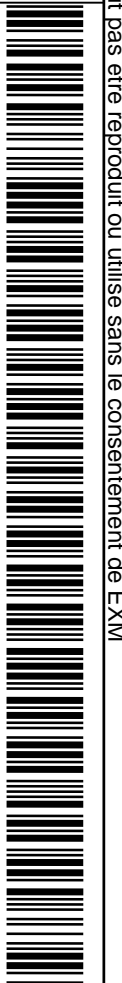
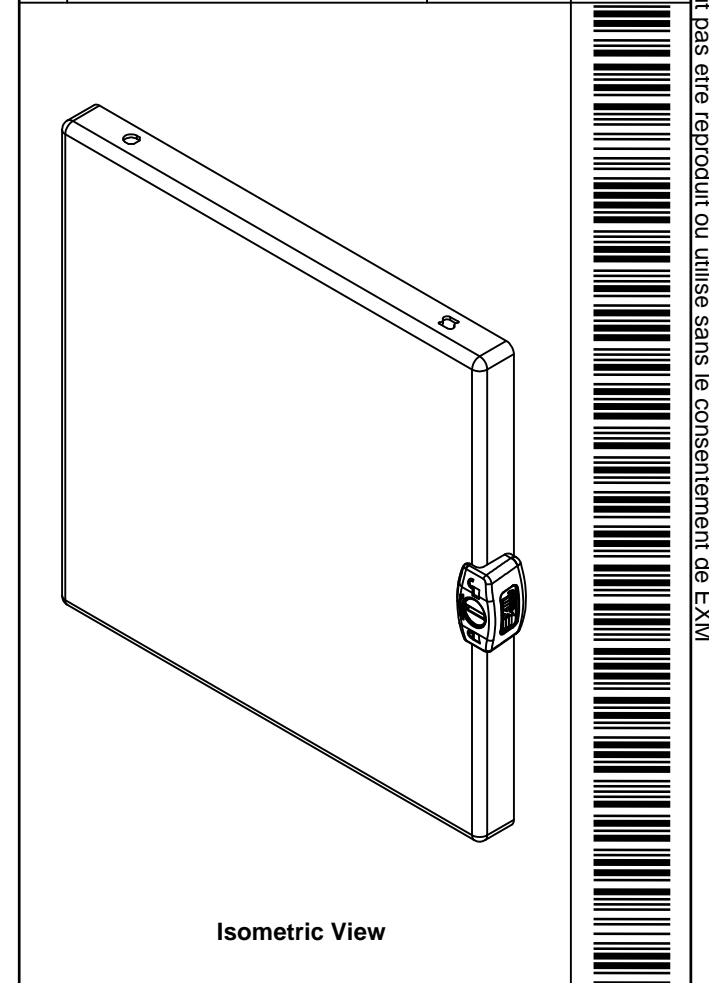
FRONT


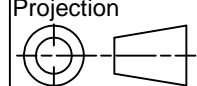
| | | | |
|--|-----------------------------|----------|--------|
| | Description | Status | |
| | 5412ESSPCH 8" x 8" Cover | (NULL) | |
| | Part Number Numéro Pièce | Rev. | |
| | 5412ESSPCH080804C | 0 | 2 3 |

This drawing is confidential and must not be reproduced or used without the consent of EXM

Ce dessin est confidentiel et ne doit pas être reproduit ou utilisé sans le consentement de EXM

| No. | Revisions | Date | By/Par |
|-----|-----------|------|--------|
| | | | |
| | | | |
| | | | |
| | | | |
| | | | |



| | | |
|--|-----------------------------------|---|
|  Tél: (450) 979-4373 Fax: (450) 979-4626 www.exmweb.com | | Flatness Aplatissement Max 3.0mm Projection  |
| Customer Client | Date | |
| Drawn By Dessiné Par | BoxCad: BoxCad | Date 08-Jan-14 |
| Material Matière | 16 Ga Stainless Steel 304 (1.4mm) | |
| Color Couleur | Asa-61 Grey | Finish Fini Smooth |
| Description | Detail Rev. | |
| 5412ESSPCH 8" x 8" Cover | | |
| Part Number Numéro Pièce | Rev. 0 | 3 |
| 5412ESSPCH080804C | | 3 |

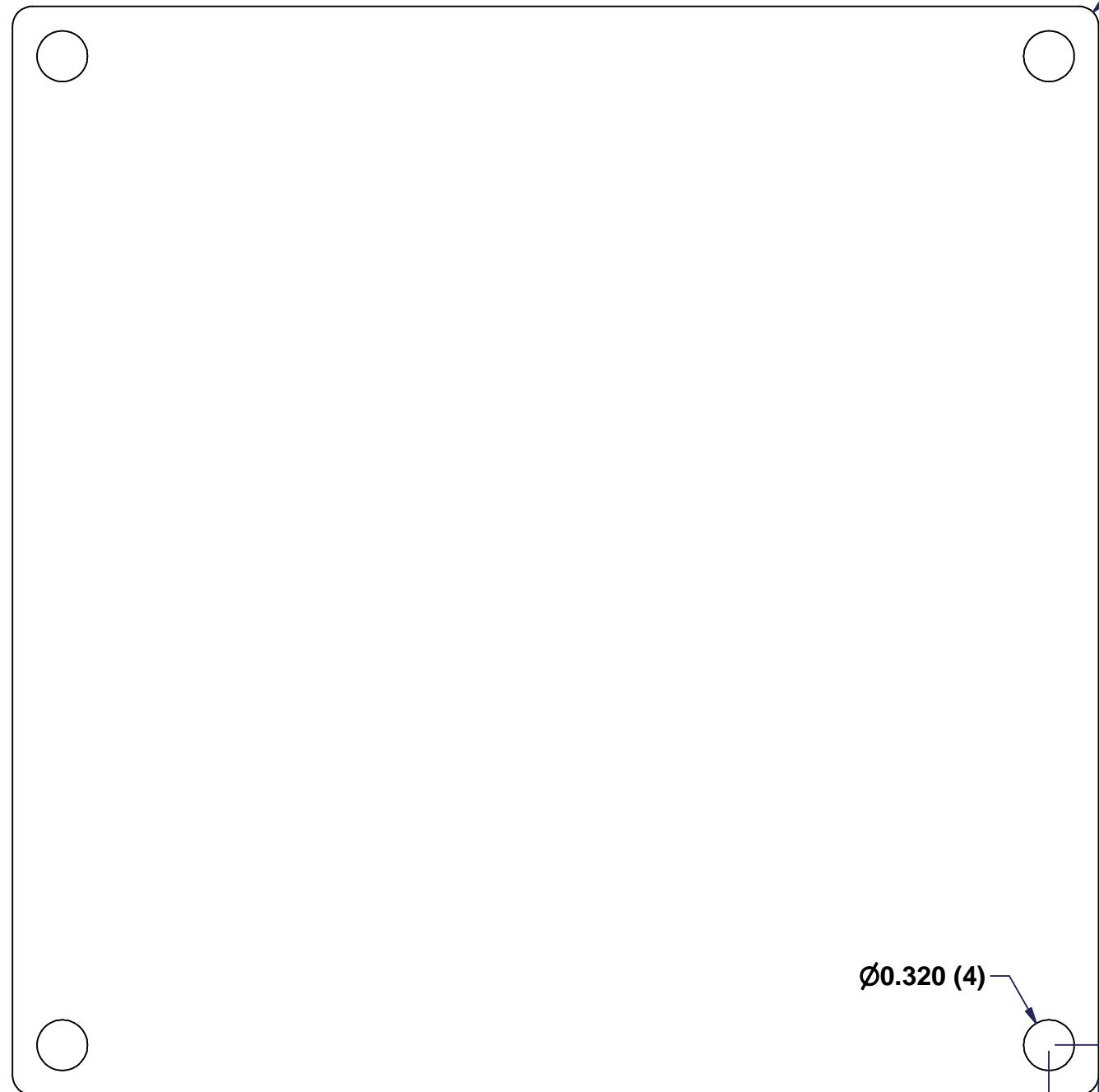
| Qty | Part Number | Rev | Description |
|------------|---------------------|-----|--|
| 1 | 880SCQ3S | 4 | 5412 ESSMCH - Stainless Steel External Lock Assy - Slot Lock |
| 1 | 5412ESSPCH080804G | 0 | 5412ESSPCH 8" x 8" Gasket |
| 1 | STK-S-00100 | 0 | 3.5" x 2" Silver Milar Flexcon Sticker |
| 1 | STK-Q-08500 | 4 | Stainless Steel Standoff M6 x 10mm |
| 1 | STK-P-02400S | 0 | Powder Paint (Asa-61 Grey / Smooth) |
| 1 | 5412ESSPCH080804C-P | 0 | 5412ESSPCH 8" x 8" Cover Part |
| 2 | STK-A-33038 | 3 | 5412 ESSMCH - Stainless Steel Hinge |
| Parts List | | | |

This drawing is confidential and must not be reproduced or used without the consent of EXM

Ce dessin est confidentiel et ne doit pas être reproduit ou utilisé sans le consentement de EXM



TOP



FRONT

R0.125

Ø0.320 (4)

0.315

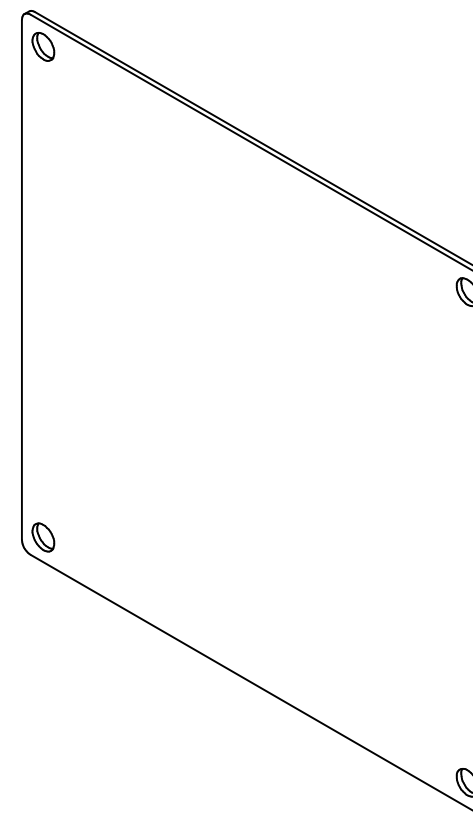
0.315

6.880

0.000

RIGHT

| No. | Revisions | Date | By/Par |
|-----|-----------|------|--------|
| | | | |
| | | | |
| | | | |
| | | | |



Isometric View

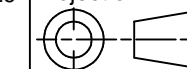


Tél: (450) 979-4373
 Fax: (450) 979-4626
 www.exmweb.com

Flatness
Aplatissement

Max 3.0mm

Projection



| | |
|--|---------------------------|
| Customer Client | Date |
| Drawn By / Dessiné Par: BoxCad | Date: 23-Jan-07 |
| Material / Matière: 14 Ga Galvanized (1.7mm) | |
| Color / Couleur: Unpainted | Finish / Fini: Galvanized |

| | |
|--|-------------|
| Description: 880 SP0808G - Inner Panel | Detail Rev. |
|--|-------------|

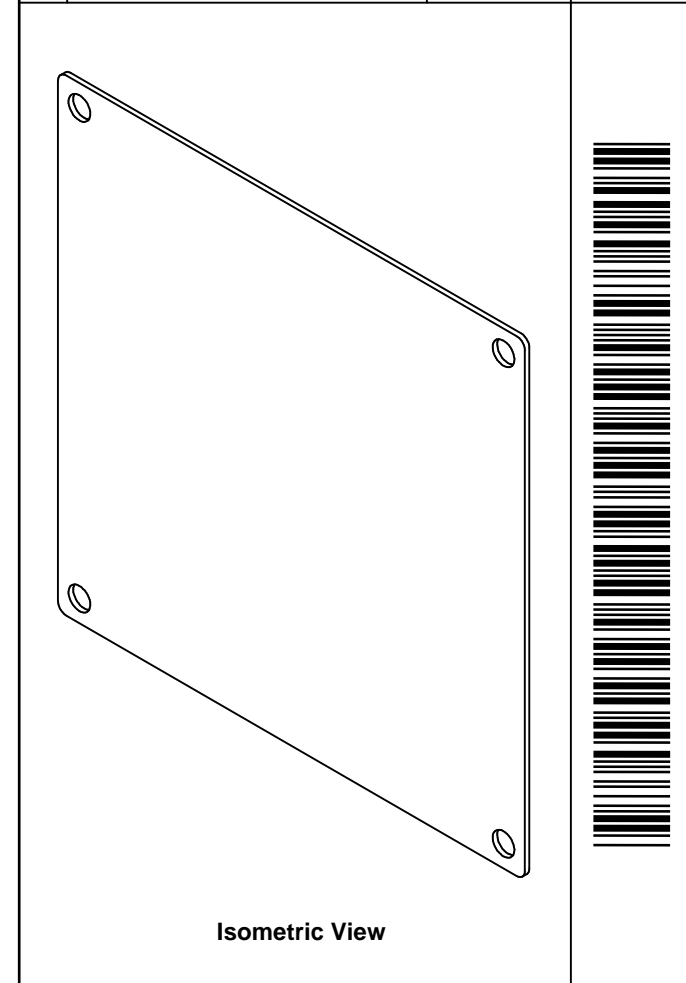
| | |
|---|--------|
| Part Number / Numéro Pièce: 880 SP0808G | Rev. 1 |
| | Rev. 0 |
| | 2 |


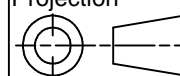
SEE BILL OF MATERIAL ON LAST PAGE

This drawing is confidential and must not be reproduced or used without the consent of EXM

Ce dessin est confidentiel et ne doit pas être reproduit ou utilisé sans le consentement de EXM

| No. | Revisions | Date | By/Par |
|-----|-----------|------|--------|
| | | | |
| | | | |
| | | | |
| | | | |
| | | | |



| | | |
|--|--------------------------|---|
|  Tél: (450) 979-4373 Fax: (450) 979-4626 www.exmweb.com | | Flatness Aplatissement Max 3.0mm Projection  |
| Customer Client | Date | |
| Drawn By Dessiné Par | BoxCad | Date 23-Jan-07 |
| Material Matière | 14 Ga Galvanized (1.7mm) | |
| Color Couleur | Unpainted | Finish Fini Galvanized |
| Description 880 SP0808G - Inner Panel | | Detail Rev. |
| Part Number Numéro Pièce | 880 SP0808G | Rev. 0 |

| Qty | Part Number | Rev | Description |
|------------|---------------|-----|--------------------------------|
| 1 | 880 SP0808G-P | 0 | 880 SP0808G - Inner Panel Part |
| Parts List | | | |

2
2