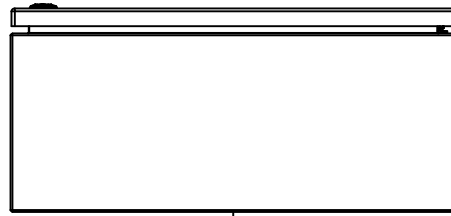


This drawing is confidential and must not be reproduced or used without the consent of EXM

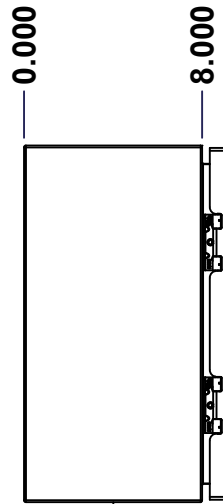
Ce dessin est confidentiel et ne doit pas être reproduit ou utilisé sans le consentement de EXM



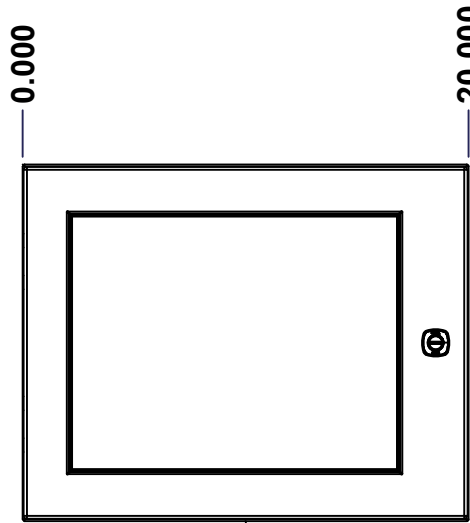
TOP



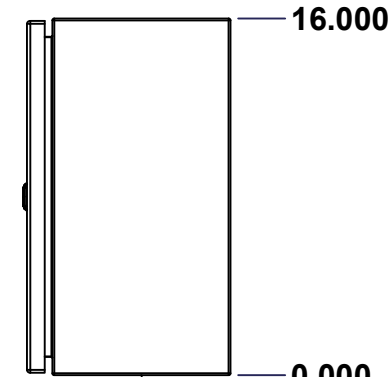
BACK



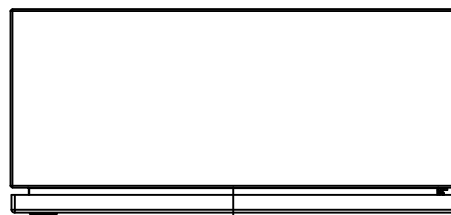
LEFT



FRONT



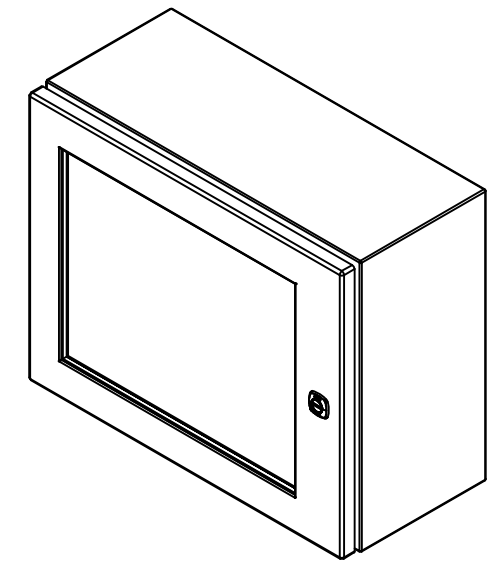
RIGHT



BOTTOM

**GRAIN DIRECTION:  
TOP/BOTTOM: HORIZONTAL  
LEFT/RIGHT/BACK/FRONT: VERTICAL**

| No. | Revisions | Date | By/Par |
|-----|-----------|------|--------|
|     |           |      |        |
|     |           |      |        |
|     |           |      |        |
|     |           |      |        |



Isometric View

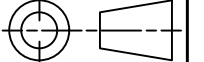


Tél: (450) 979-4373  
Fax: (450) 979-4626  
[www.exmweb.com](http://www.exmweb.com)

Flatness  
Aplatissement

Max 3.0mm

Projection



|   |                        |
|---|------------------------|
| Customer Client                                       | Date                   |
| Drawn By<br>Dessiné Par BoxCad: BoxCad                | Date 04-Jul-23         |
| Material<br>Matière 16 Ga Stainless Steel 304 (1.4mm) |                        |
| Color<br>Couleur Unpainted                            | Finish<br>Fini Brushed |
| Description<br>5412ESSW 16" x 20" x 8" Assembly       | Detail Rev.            |
| Part Number<br>Numéro Pièce 5412ESSW162008NOIP        | Rev. 1<br>0            |

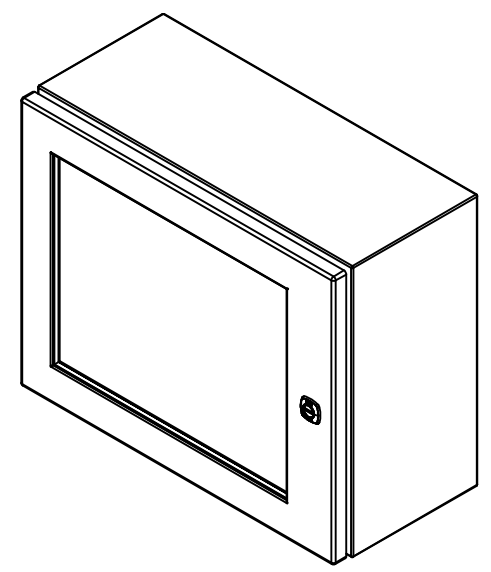
SEE BILL OF MATERIAL ON LAST PAGE

This drawing is confidential and must not be reproduced or used without the consent of EXM

Ce dessin est confidentiel et ne doit pas être reproduit ou utilisé sans le consentement de EXM

| NOTE |  |
|------|--|
| ITEM | DESCRIPTION                                |
| 1    | NEMA 4X Enclosure                          |
| 2    | C/W Standard ground studs on box and cover |
| 3    | W/O Standard door stiffener                |
| 4    | W/O Inner panel                            |
| 5    | C/W Standard inner panel mounting studs    |

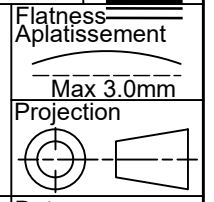
| No. | Revisions | Date | By/Par |
|-----|-----------|------|--------|
|     |           |      |        |
|     |           |      |        |
|     |           |      |        |
|     |           |      |        |
|     |           |      |        |
|     |           |      |        |



Isometric View



Tél: (450) 979-4373  
 Fax: (450) 979-4626  
[www.exmweb.com](http://www.exmweb.com)



|   |                 |
|---|-----------------|
| Customer Client                                     | Date            |
| Drawn By Dessiné Par: BoxCad: BoxCad                | Date: 04-Jul-23 |
| Material Matière: 16 Ga Stainless Steel 304 (1.4mm) |                 |

|   |                      |
|---|----------------------|
| Color Couleur: Unpainted                            | Finish Fini: Brushed |
| Description: 5412ESSW 16" x 20" x 8" Assembly       | Detail Rev.          |
| Part Number Numéro Pièce: <b>5412ESSW162008NOIP</b> | Rev. <b>0</b>        |

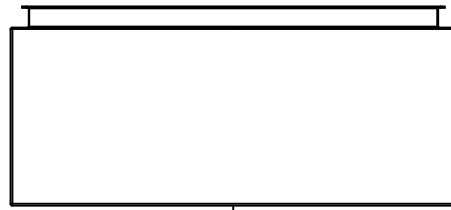
| PACKING               |     |  |
|-----------------------|-----|--|
| ITEM                  | QTY | DESCRIPTION                                |
| Cardboard sleeve      | 2   | Top and Bottom                             |
| Cardboard strip       | 2   | Between back of enclosure and inner panel  |
| Plastic bag           | 1   | To protect cover surface and inside gasket |
| Plastic strap - Black | 2   | To Squeeze the 2 cardboard sleeve together |
| Packaging label       | 1   | White label with product number            |

| Qty | Part Number         | Rev | Description  |
|-----|---------------------|-----|--|
| 1   | STK-K-01800         | 5   | 5412 ES Accessory Kit  |
| 1   | 5412ESSW162008NOIPC | 0   | 5412ESSW 16" x 20" Cover   |
| 1   | 5412ESSW162008NOIPB | 0   | 5412ESSW 16" x 20" x 8" Body   |
| 2   | STK-Q-04051-08      | 1   | M6 x 8mm Stainless Steel Hexagon Socket Head Machine Screw with Nyseal |

Parts List

This drawing is confidential and must not be reproduced or used without the consent of EXM

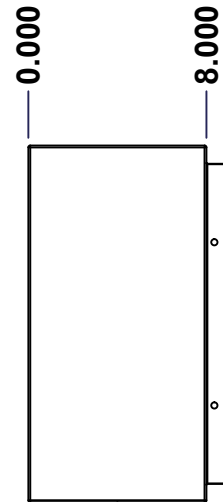
Ce dessin est confidentiel et ne doit pas être reproduit ou utilisé sans le consentement de EXM



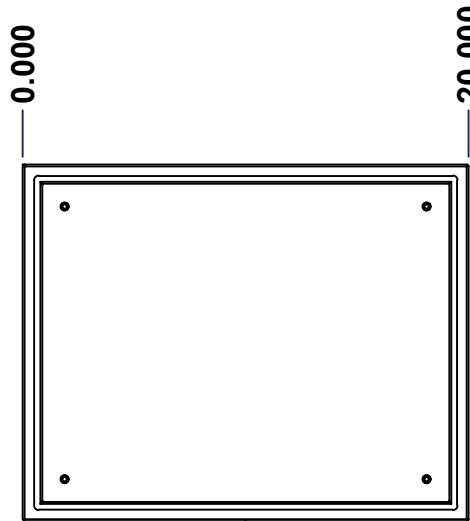
TOP



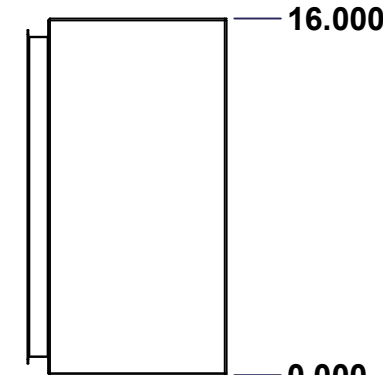
BACK



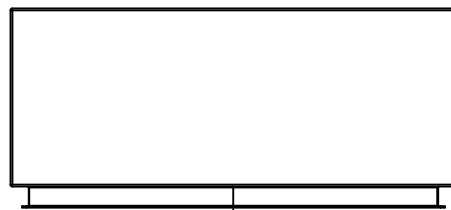
LEFT



FRONT

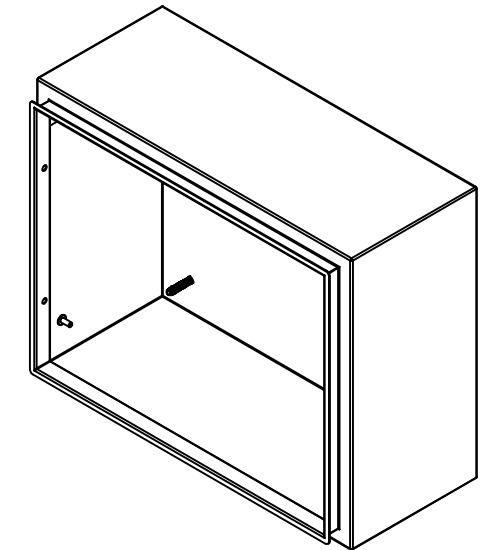


RIGHT



BOTTOM

| No. | Revisions | Date | By/Par |
|-----|-----------|------|--------|
|     |           |      |        |
|     |           |      |        |
|     |           |      |        |
|     |           |      |        |



Isometric View



Tél: (450) 979-4373  
 Fax: (450) 979-4626  
[www.exmweb.com](http://www.exmweb.com)

Flatness  
Aplatissement

Max 3.0mm

Projection



|   |                        |
|---|------------------------|
| Customer Client                                       | Date                   |
| Drawn By<br>Dessiné Par BoxCad: BoxCad                | Date 04-Jul-23         |
| Material<br>Matière 16 Ga Stainless Steel 304 (1.4mm) |                        |
| Color<br>Couleur Unpainted                            | Finish<br>Fini Brushed |
| Description<br>5412ESSW 16" x 20" x 8" Body           | Detail Rev.            |
| Part Number<br>Numéro Pièce 5412ESSW162008NOIPB       | Rev. 3                 |
|   | 0                      |

SEE BILL OF MATERIAL ON LAST PAGE

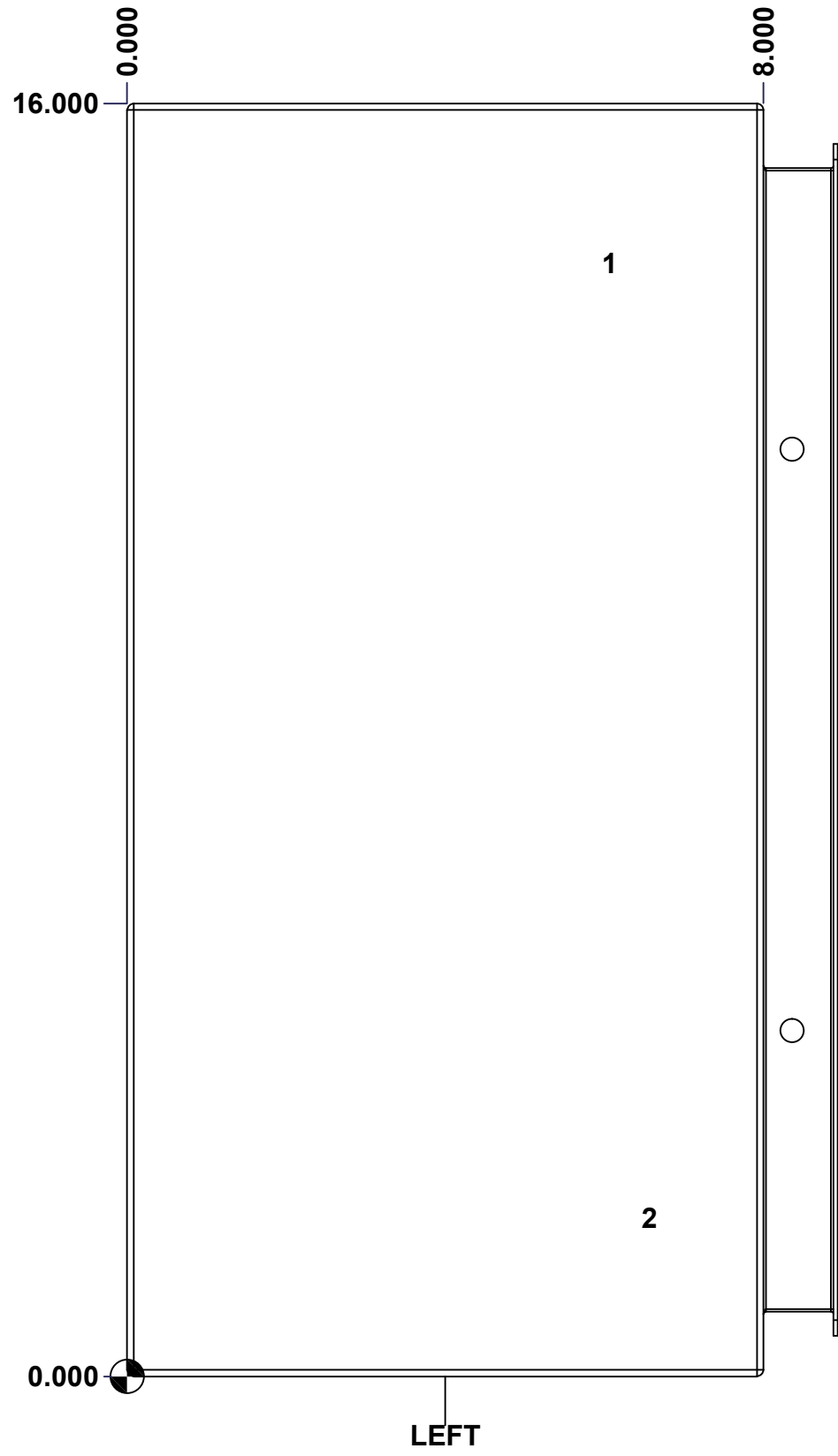
5412ESSW162008NOIPB

Rev. 3  
0

This drawing is confidential and must not be reproduced or used without the consent of EXM

Ce dessin est confidentiel et ne doit pas être reproduit ou utilisé sans le consentement de EXM

| STANDARD FEATURES ARE NOT LISTED IN THIS HOLE TABLE |       |        |                             |
|---|-------|--------|-----------------------------|
| HOLE TABLE - LEFT VIEW (CUSTOM FEATURE ONLY)        |       |        |                             |
| CUT-OUT   | XDIM  | YDIM   | DESCRIPTION                 |
| 1   | 6.000 | 14.000 | LABEL_EXM (Inside)          |
| 2   | 6.500 | 2.000  | GND STUD M6 x 16mm (Inside) |



|  |                              |                   |
|--|------------------------------|-------------------|
|  | Description                  | Status            |
|  | 5412ESSW 16" x 20" x 8" Body | (NULL)            |
|  | Part Number<br>Numéro Pièce  | Rev.              |
|  | <b>5412ESSW162008NOIPB</b>   | <b>0</b> / 4<br>9 |

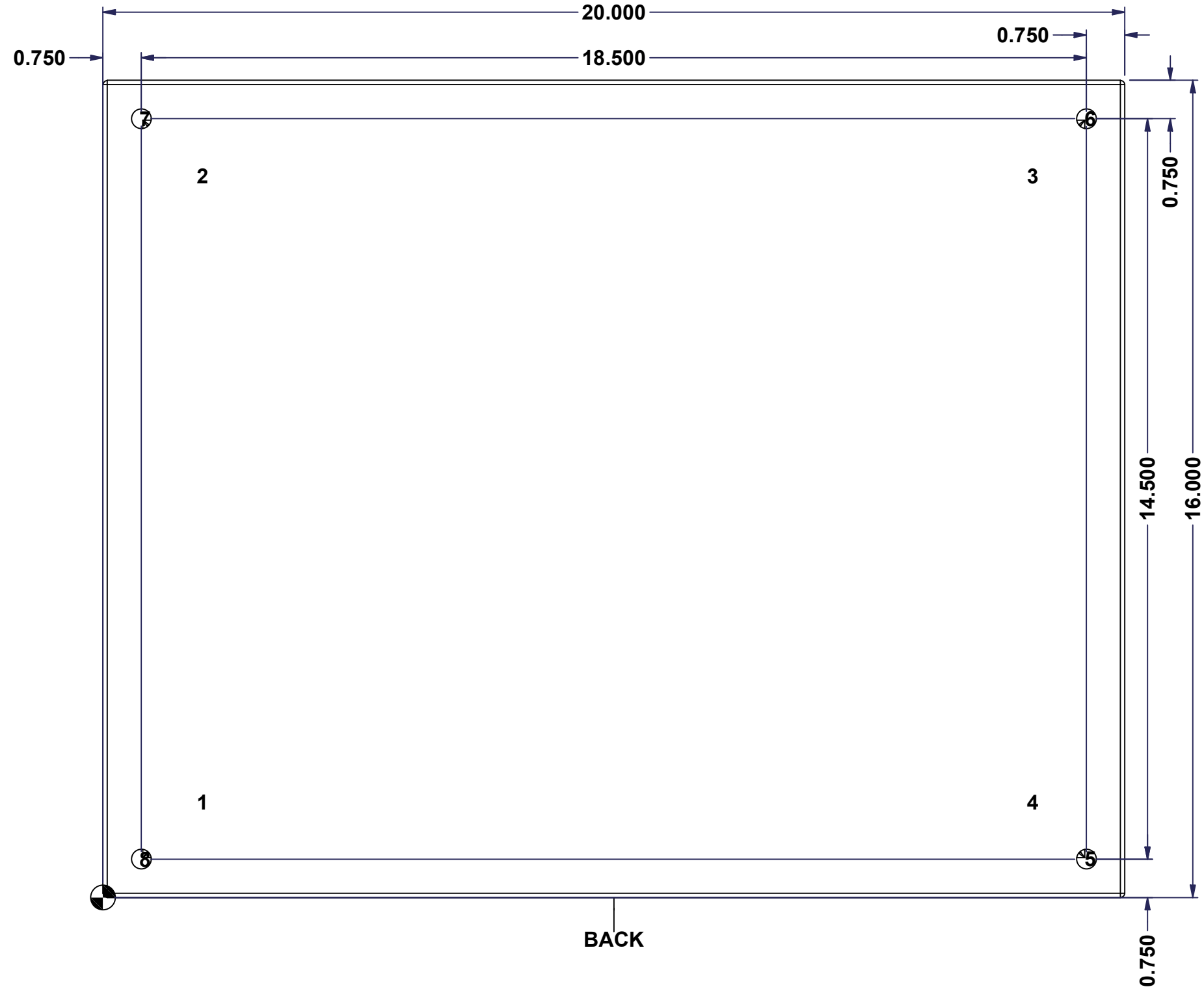
This drawing is confidential and must not be reproduced or used without the consent of EXM

Ce dessin est confidentiel et ne doit pas être reproduit ou utilisé sans le consentement de EXM

**STANDARD FEATURES ARE NOT LISTED IN THIS HOLE TABLE**

**HOLE TABLE - BACK VIEW (CUSTOM FEATURE ONLY)**

| CUT-OUT | XDIM   | YDIM   | DESCRIPTION                |
|---------|--------|--------|----------------------------|
| 1       | 1.875  | 1.875  | IP STUD M8 x 35mm (Inside) |
| 2       | 1.875  | 14.125 | IP STUD M8 x 35mm (Inside) |
| 3       | 18.125 | 14.125 | IP STUD M8 x 35mm (Inside) |
| 4       | 18.125 | 1.875  | IP STUD M8 x 35mm (Inside) |
| -----   |        |        |                            |
| 5       | 19.250 | 0.750  | RND Ø0.390                 |
| 6       | 19.250 | 15.250 | RND Ø0.390                 |
| 7       | 0.750  | 15.250 | RND Ø0.390                 |
| 8       | 0.750  | 0.750  | RND Ø0.390                 |

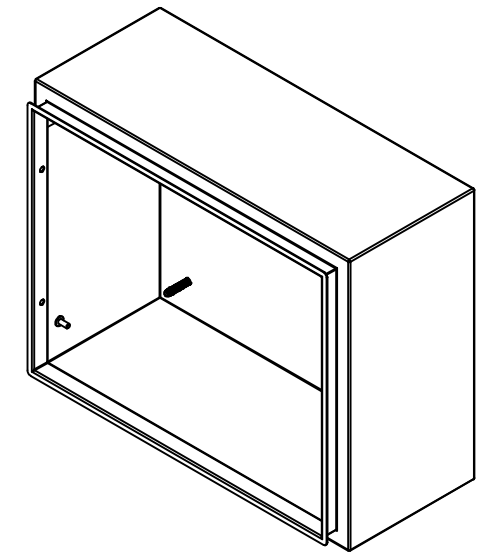


|  |                              |                  |
|--|------------------------------|------------------|
|  | Description                  | Status           |
|  | 5412ESSW 16" x 20" x 8" Body | (NULL)           |
|  | Part Number<br>Numéro Pièce  | Rev.             |
|  | <b>5412ESSW162008NOIPB</b>   | <b>0</b> / 5 / 9 |

This drawing is confidential and must not be reproduced or used without the consent of EXM

Ce dessin est confidentiel et ne doit pas être reproduit ou utilisé sans le consentement de EXM

| No. | Revisions | Date | By/Par |
|-----|-----------|------|--------|
|     |           |      |        |
|     |           |      |        |
|     |           |      |        |
|     |           |      |        |
|     |           |      |        |



Isometric View

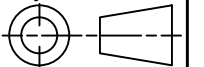


Tél: (450) 979-4373  
 Fax: (450) 979-4626  
[www.exmweb.com](http://www.exmweb.com)

Flatness  
Aplatissement

Max 3.0mm

Projection



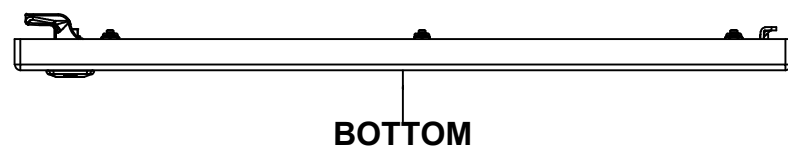
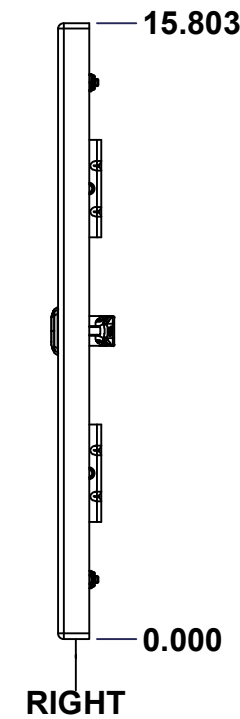
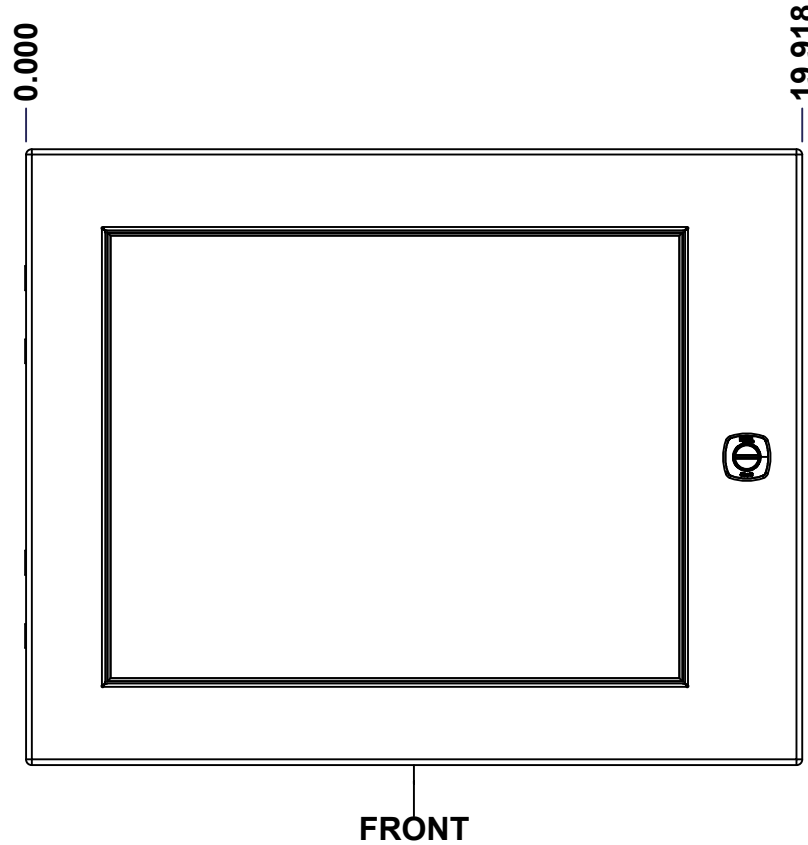
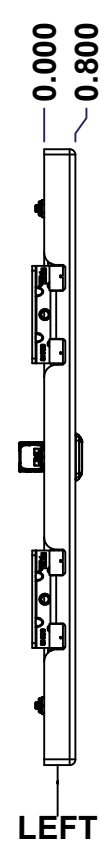
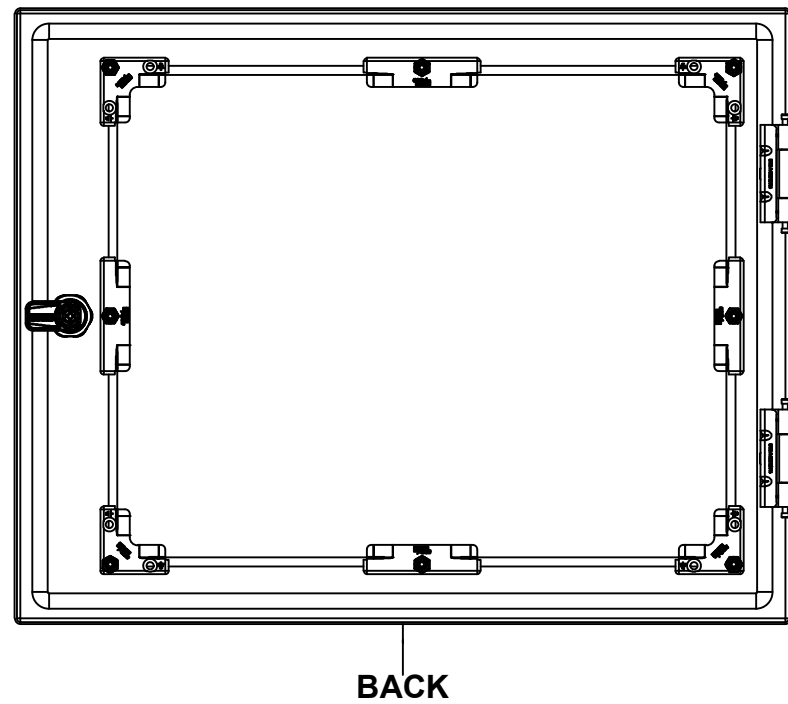
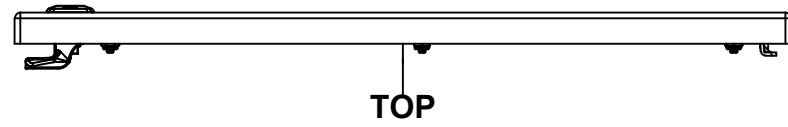
|   |                        |
|---|------------------------|
| Customer Client                                       | Date                   |
| Drawn By / Dessiné Par: BoxCad: BoxCad                | Date: 04-Jul-23        |
| Material / Matière: 16 Ga Stainless Steel 304 (1.4mm) |                        |
| Color / Couleur: Unpainted                            | Finish / Fini: Brushed |

| 1          | STK-Q-16085           | 0   | Ground Stud M6 x 16mm Stainless Steel  |
|------------|-----------------------|-----|--|
| 1          | STK-S-00100           | 0   | 3.5" x 2" Silver Milar Flexcon Sticker |
| 4          | STK-Q-16020           | 1   | Stud M8 x 35mm Stainless Steel         |
| 1          | 5412ESSW162008NOIPB-P | 0   | 5412ESSW 16" x 20" x 8" Body Part      |
| Qty        | Part Number           | Rev | Description                            |
| Parts List |                       |     |  |

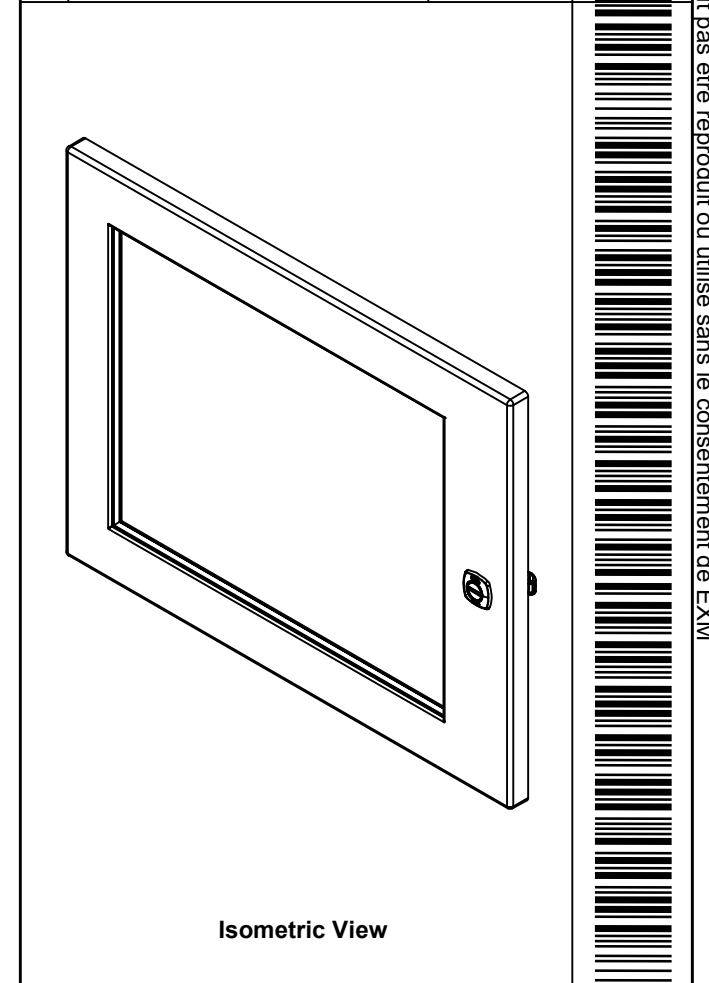
|  |               |
|--|---------------|
| Description: 5412ESSW 16" x 20" x 8" Body              | Detail Rev.   |
| Part Number / Numéro Pièce: <b>5412ESSW162008NOIPB</b> | Rev. <b>0</b> |
|  | 6 / 9         |


This drawing is confidential and must not be reproduced or used without the consent of EXM

Ce dessin est confidentiel et ne doit pas être reproduit ou utilisé sans le consentement de EXM



| No. | Revisions | Date | By/Par |
|-----|-----------|------|--------|
|     |           |      |        |
|     |           |      |        |
|     |           |      |        |
|     |           |      |        |



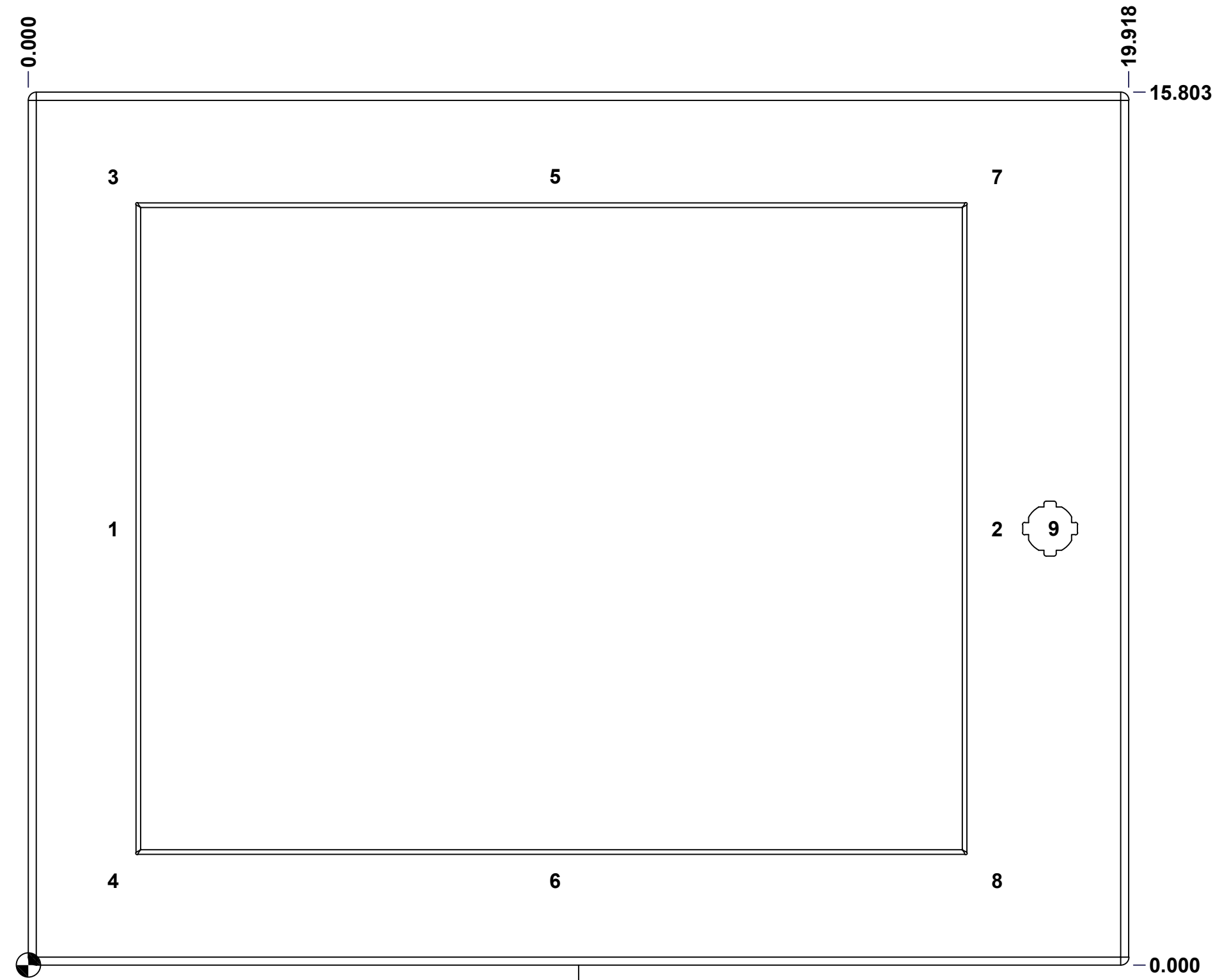
|  |                        |                           |
|--|------------------------|---------------------------|
|  Tél: (450) 979-4373<br>Fax: (450) 979-4626<br><a href="http://www.exmweb.com">www.exmweb.com</a> |                        | Flatness<br>Aplatissement |
|  |                        | Max 3.0mm                 |
| Customer<br>Client   |                        | Date                      |
| Drawn By<br>Dessiné Par BoxCad: BoxCad   |                        | Date 04-Jul-23            |
| Material<br>Matière 16 Ga Stainless Steel 304 (1.4mm)  |                        |                           |
| Color<br>Couleur Unpainted   | Finish<br>Fini Brushed |                           |
| Description<br>5412ESSW 16" x 20" Cover  |                        | Detail Rev.               |
| Part Number<br>Numéro Pièce  | Rev. 0                 | 7<br>9                    |

**SEE BILL OF MATERIAL ON LAST PAGE 5412ESSW162008NOIPC**

This drawing is confidential and must not be reproduced or used without the consent of EXM

Ce dessin est confidentiel et ne doit pas être reproduit ou utilisé sans le consentement de EXM

| STANDARD FEATURES ARE NOT LISTED IN THIS HOLE TABLE |        |        |                         |
|---|--------|--------|-------------------------|
| HOLE TABLE - FRONT VIEW (CUSTOM FEATURE ONLY)       |        |        |                         |
| CUT-OUT   | XDIM   | YDIM   | DESCRIPTION             |
| 1   | 1.469  | 7.902  | STUD M6 x 18mm (Inside) |
| 2   | 17.468 | 7.902  | STUD M6 x 18mm (Inside) |
| 3   | 1.469  | 14.276 | STUD M6 x 18mm (Inside) |
| 4   | 1.469  | 1.527  | STUD M6 x 18mm (Inside) |
| 5   | 9.469  | 14.276 | STUD M6 x 18mm (Inside) |
| 6   | 9.469  | 1.527  | STUD M6 x 18mm (Inside) |
| 7   | 17.468 | 14.276 | STUD M6 x 18mm (Inside) |
| 8   | 17.468 | 1.527  | STUD M6 x 18mm (Inside) |
| -----   |        |        |                         |
| 9   | 18.494 | 7.902  | 880 SCQ4-SLSS6          |



FRONT

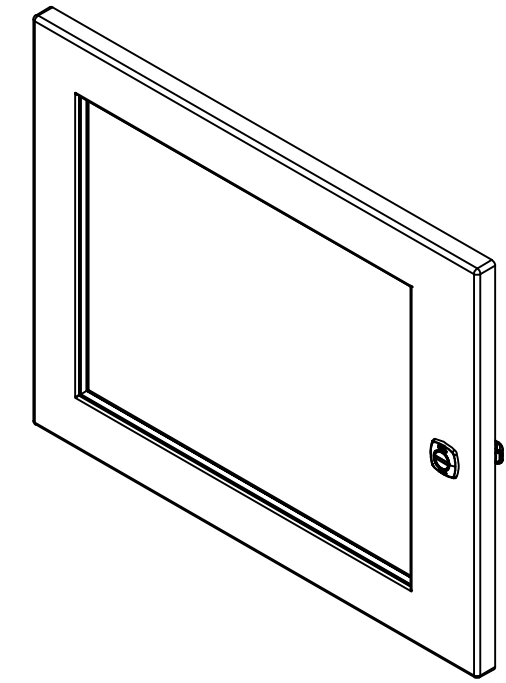
|  |                             |          |
|--|-----------------------------|----------|
|  | Description                 | Status   |
|  | 5412ESSW 16" x 20" Cover    | (NULL)   |
|  | Part Number<br>Numéro Pièce | Rev.     |
|  | <b>5412ESSW162008NOIPC</b>  | <b>0</b> |
|  |                             | 8        |
|  |                             | 9        |



This drawing is confidential and must not be reproduced or used without the consent of EXM

Ce dessin est confidentiel et ne doit pas être reproduit ou utilisé sans le consentement de EXM


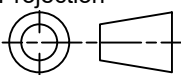
| No. | Revisions | Date | By/Par |
|-----|-----------|------|--------|
|     |           |      |        |
|     |           |      |        |
|     |           |      |        |
|     |           |      |        |
|     |           |      |        |



Isometric View



|            |                        |     |                                       |
|------------|------------------------|-----|---------------------------------------|
| 1          | 880 SCQ4-SLSS6         | 7   | 5412 ESS 1/4 Turn Lock                |
| 4          | STK-Q-60701            | 2.1 | 880 WK - Lexan 1/4" Fixing Bracket    |
| 1          | STK-A-60703            | 0   | 5412 ESW Lexan Bracket Kit            |
| 8          | STK-Q-16053            | 1   | Stud M6 x 23mm Stainless steel        |
| 1          | STK-G-02710            | 0   | 880 HWKG - Windows Kit Gasket         |
| 1          | 5412ESSW162008NOIPL XG | 0   | 5412ESSW 16" x 20" Lexan Gasket Part  |
| 1          | 5412ESSW162008NOIPL X  | 0   | 5412ESSW 12.375" x 16.125" Lexan Part |
| 1          | 5412ESSW162008NOIPG    | 0   | 5412ESSW 16" x 20" Cover Gasket Part  |
| 1          | 5412ESSW162008NOIPC-P  | 0   | 5412ESSW 16" x 20" Cover Part         |
| 2          | STK-A-33016            | 0   | 5412 ESS Bended Hinge (Body Part)     |
| QTY        | Part Number            | Rev | Description                           |
| Parts List |                        |     |                                       |

|  |                                   |   |
|--|-----------------------------------|---|
|  Tél: (450) 979-4373<br>Fax: (450) 979-4626<br><a href="http://www.exmweb.com">www.exmweb.com</a> |                                   | Flatness<br>Aplatissement<br>Max 3.0mm<br>Projection<br> |
| Customer<br>Client   | Date                              | Date  |
| Drawn By<br>Dessiné Par  | BoxCad: BoxCad                    | 04-Jul-23   |
| Material<br>Matière  | 16 Ga Stainless Steel 304 (1.4mm) |   |
| Color<br>Couleur   | Unpainted                         | Finish<br>Fini<br>Brushed   |
| Description  | Detail Rev.                       |   |
| 5412ESSW 16" x 20" Cover   |                                   |   |
| Part Number<br>Numéro Pièce  | Rev.                              | 9   |
| <b>5412ESSW162008NOIPC</b>   | <b>0</b>                          | 9   |