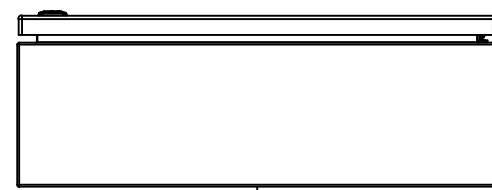
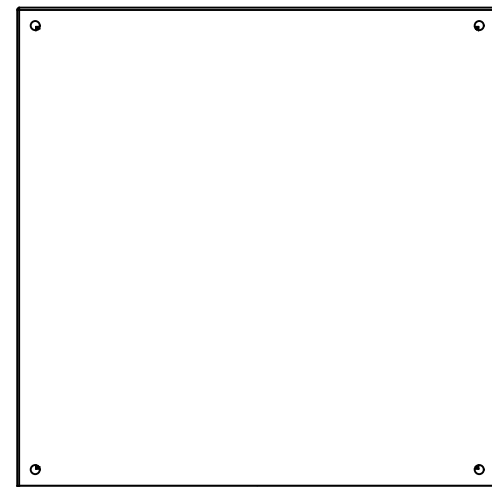


This drawing is confidential and must not be reproduced or used without the consent of EXM

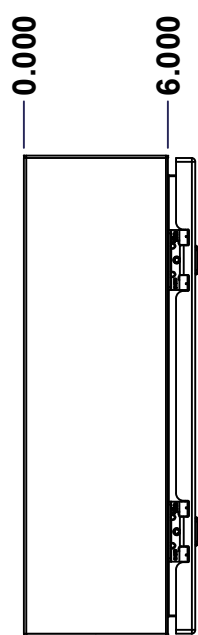
Ce dessin est confidentiel et ne doit pas être reproduit ou utilisé sans le consentement de EXM



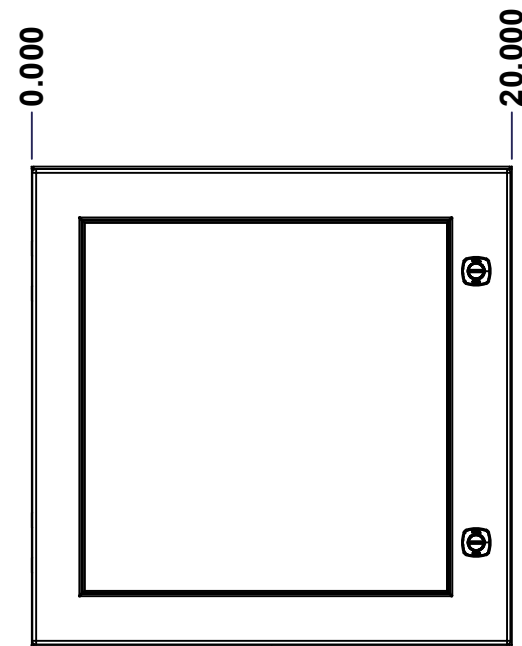
TOP



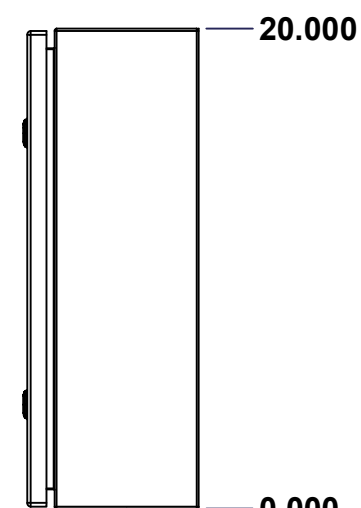
BACK



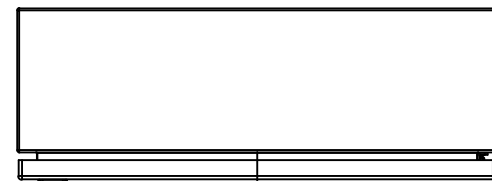
LEFT



FRONT



RIGHT

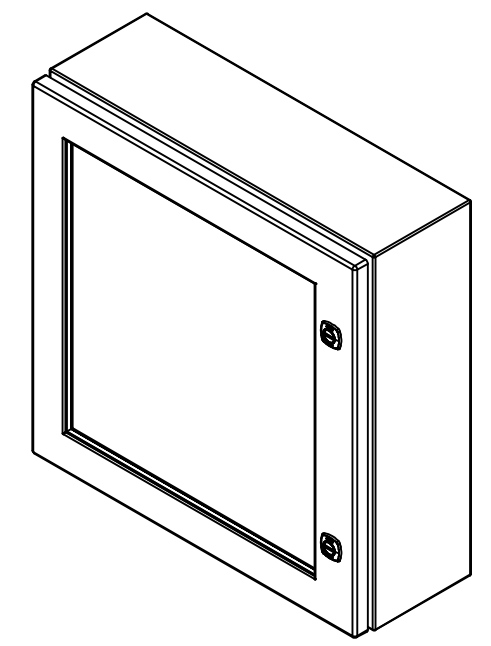


BOTTOM

**GRAIN DIRECTION:  
TOP/BOTTOM: HORIZONTAL  
LEFT/RIGHT/BACK/FRONT: VERTICAL**

SEE BILL OF MATERIAL ON LAST PAGE

| No. | Revisions | Date | By/Par |
|-----|-----------|------|--------|
|     |           |      |        |
|     |           |      |        |
|     |           |      |        |
|     |           |      |        |
|     |           |      |        |



Isometric View



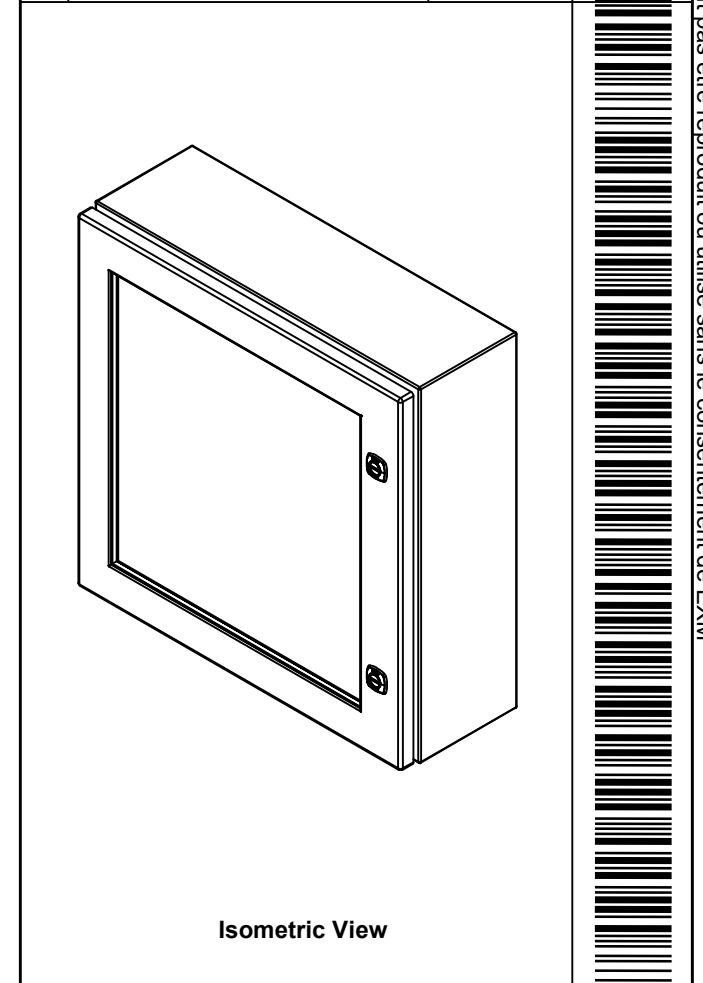
|   |  |
|---|--|
|   | Flatness<br>Aplatissement<br>Max 3.0mm |
|   | Projection<br>                         |
| Customer Client                                       | Date                                   |
| Drawn By<br>Dessiné Par BoxCad: BoxCad                | Date 03-Jul-23                         |
| Material<br>Matière 16 Ga Stainless Steel 316 (1.4mm) |  |
| Color<br>Couleur Unpainted                            | Finish<br>Fini Brushed                 |
| Description<br>5412ESSW 20" x 20" x 6" Assembly       |  |
| Part Number<br>Numéro Pièce 5412ESSW2020066NOIP       | Detail Rev.<br>Rev. 1<br>0             |

This drawing is confidential and must not be reproduced or used without the consent of EXM

Ce dessin est confidentiel et ne doit pas être reproduit ou utilisé sans le consentement de EXM

| NOTE |  |
|------|--|
| ITEM | DESCRIPTION                                |
| 1    | NEMA 4X Enclosure                          |
| 2    | C/W Standard ground studs on box and cover |
| 3    | W/O Standard door stiffener                |
| 4    | W/O Inner panel                            |
| 5    | C/W Standard inner panel mounting studs    |

| No. | Revisions | Date | By/Par |
|-----|-----------|------|--------|
|     |           |      |        |
|     |           |      |        |
|     |           |      |        |
|     |           |      |        |
|     |           |      |        |
|     |           |      |        |



Tél: (450) 979-4373  
Fax: (450) 979-4626  
[www.exmweb.com](http://www.exmweb.com)

Flatness  
Aplatissement  
Max 3.0mm

Projection

|                         |                                   |
|-------------------------|-----------------------------------|
| Customer Client         | Date                              |
| Drawn By<br>Dessiné Par | Date 03-Jul-23                    |
| Material<br>Matière     | 16 Ga Stainless Steel 316 (1.4mm) |

|                             |                                  |                |         |
|-----------------------------|----------------------------------|----------------|---------|
| Color<br>Couleur            | Unpainted                        | Finish<br>Fini | Brushed |
| Description                 | 5412ESSW 20" x 20" x 6" Assembly |                |         |
| Part Number<br>Numéro Pièce | 5412ESSW2020066NOIP              |                | Rev. 0  |

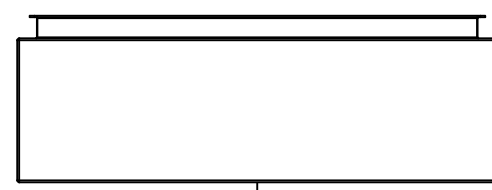
| Qty | Part Number           | Rev | Description  |
|-----|-----------------------|-----|--|
| 1   | STK-K-01800           | 5   | 5412 ES Accessory Kit  |
| 1   | 5412ESSW2020066NOIP C | 0   | 5412ESSW 20" x 20" Cover   |
| 1   | 5412ESSW2020066NOIP B | 0   | 5412ESSW 20" x 20" x 6" Body   |
| 2   | STK-Q-04051-08        | 1   | M6 x 8mm Stainless Steel Hexagon Socket Head Machine Screw with Nyseal |

Parts List

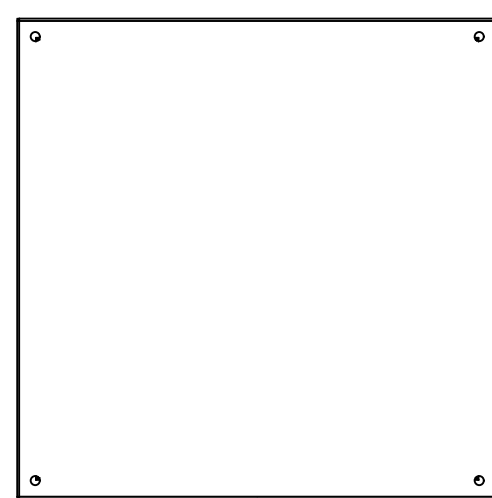
| PACKING               |     |  |
|-----------------------|-----|--|
| ITEM                  | QTY | DESCRIPTION                                |
| Cardboard sleeve      | 2   | Top and Bottom                             |
| Cardboard strip       | 2   | Between back of enclosure and inner panel  |
| Plastic bag           | 1   | To protect cover surface and inside gasket |
| Plastic strap - Black | 2   | To Squeeze the 2 cardboard sleeve together |
| Packaging label       | 1   | White label with product number            |

This drawing is confidential and must not be reproduced or used without the consent of EXM

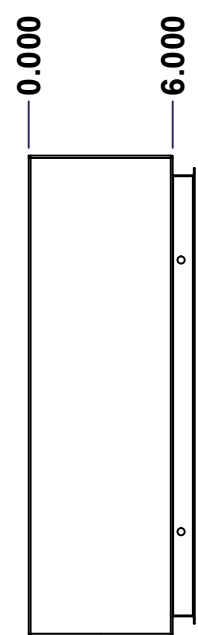
Ce dessin est confidentiel et ne doit pas être reproduit ou utilisé sans le consentement de EXM



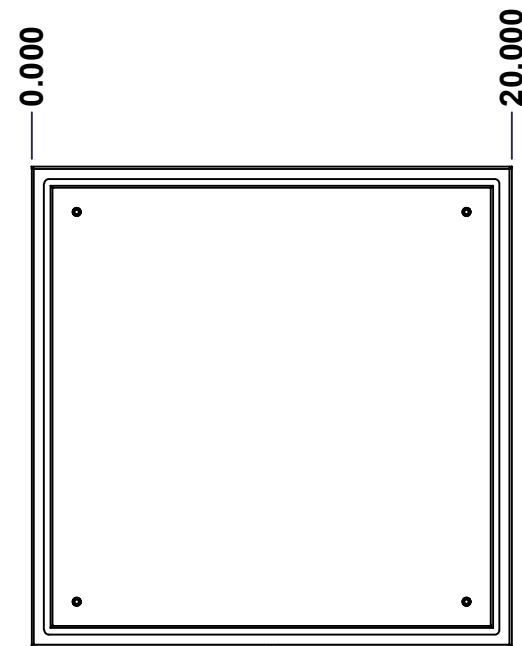
TOP



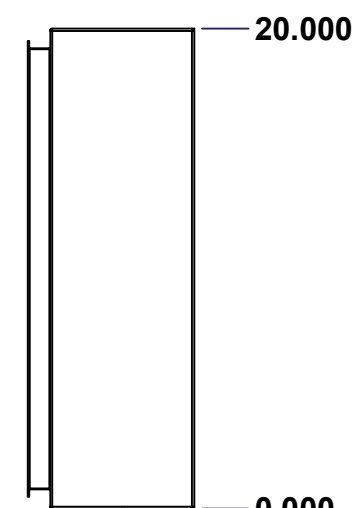
BACK



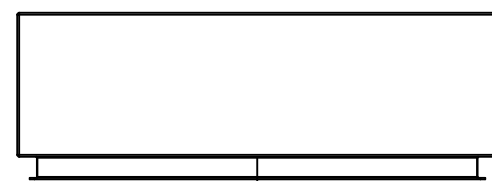
LEFT



FRONT

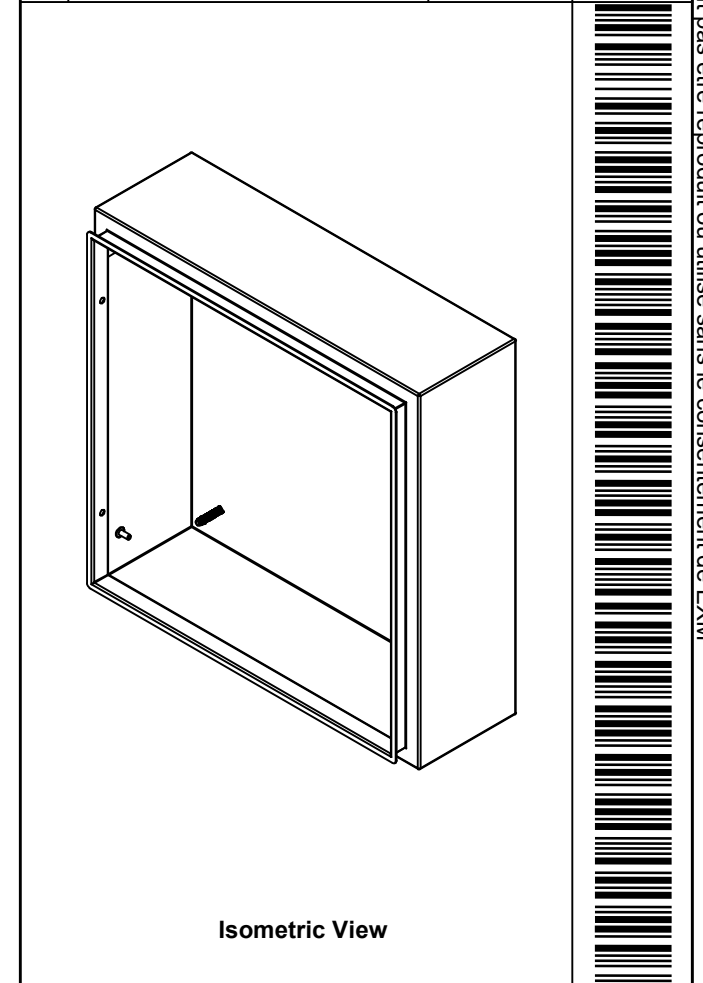


RIGHT

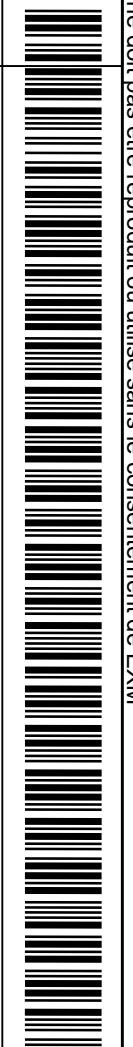



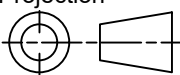
BOTTOM

| No. | Revisions | Date | By/Par |
|-----|-----------|------|--------|
|     |           |      |        |
|     |           |      |        |
|     |           |      |        |
|     |           |      |        |



Isometric View



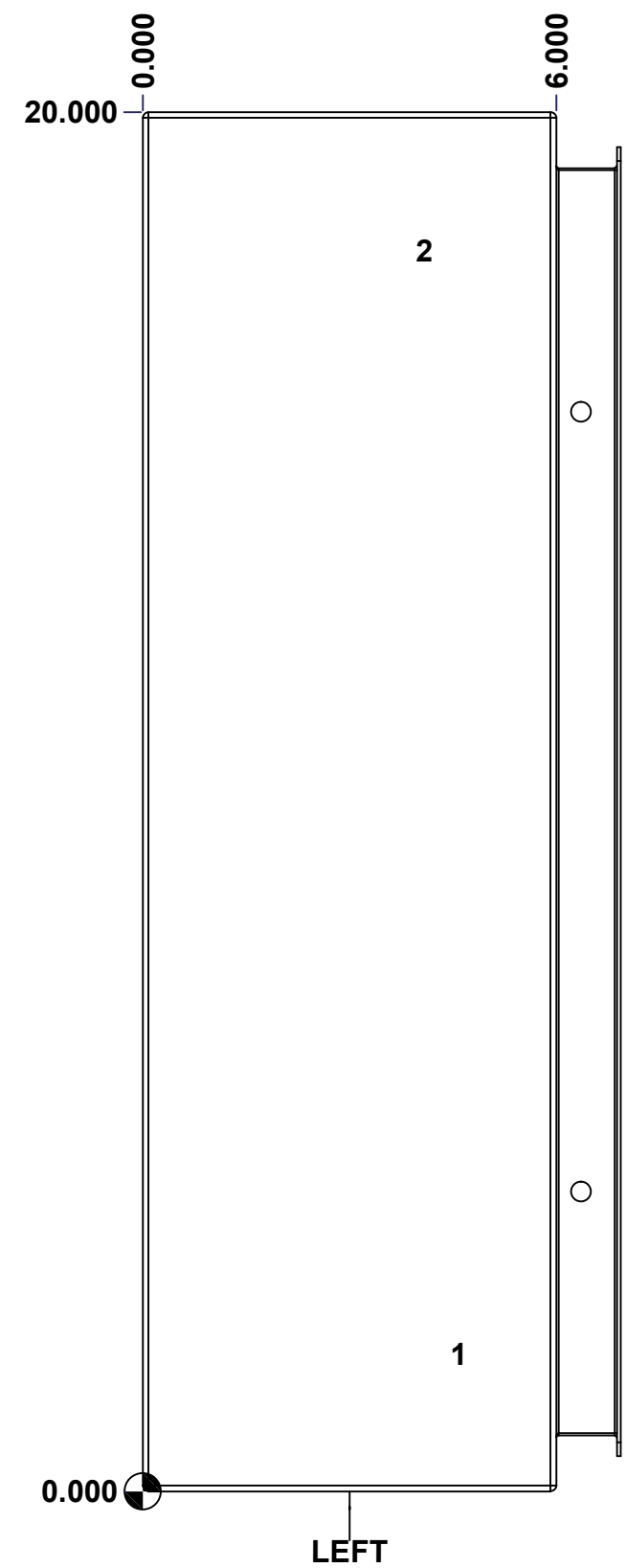
|  |                                   |   |
|--|-----------------------------------|---|
|  Tél: (450) 979-4373<br>Fax: (450) 979-4626<br><a href="http://www.exmweb.com">www.exmweb.com</a> |                                   | Flatness<br>Aplatissement<br>Max 3.0mm<br>Projection<br> |
| Customer Client  | Date                              |   |
| Drawn By<br>Dessiné Par  | BoxCad: BoxCad                    | Date 03-Jul-23  |
| Material<br>Matière  | 16 Ga Stainless Steel 316 (1.4mm) |   |
| Color<br>Couleur   | Unpainted                         | Finish<br>Fini Brushed  |
| Description  | Detail Rev.                       |   |
| 5412ESSW 20" x 20" x 6" Body   |                                   |   |
| Part Number<br>Numéro Pièce  | Rev. 0                            | 3<br>9  |

SEE BILL OF MATERIAL ON LAST PAGE **5412ESSW2020066NOIPB**

This drawing is confidential and must not be reproduced or used without the consent of EXM

Ce dessin est confidentiel et ne doit pas être reproduit ou utilisé sans le consentement de EXM

| STANDARD FEATURES ARE NOT LISTED IN THIS HOLE TABLE |       |        |                             |
|---|-------|--------|-----------------------------|
| HOLE TABLE - LEFT VIEW (CUSTOM FEATURE ONLY)        |       |        |                             |
| CUT-OUT   | XDIM  | YDIM   | DESCRIPTION                 |
| 1   | 4.500 | 2.000  | GND STUD M6 x 16mm (Inside) |
| 2   | 4.000 | 18.000 | LABEL_EXM (Inside)          |

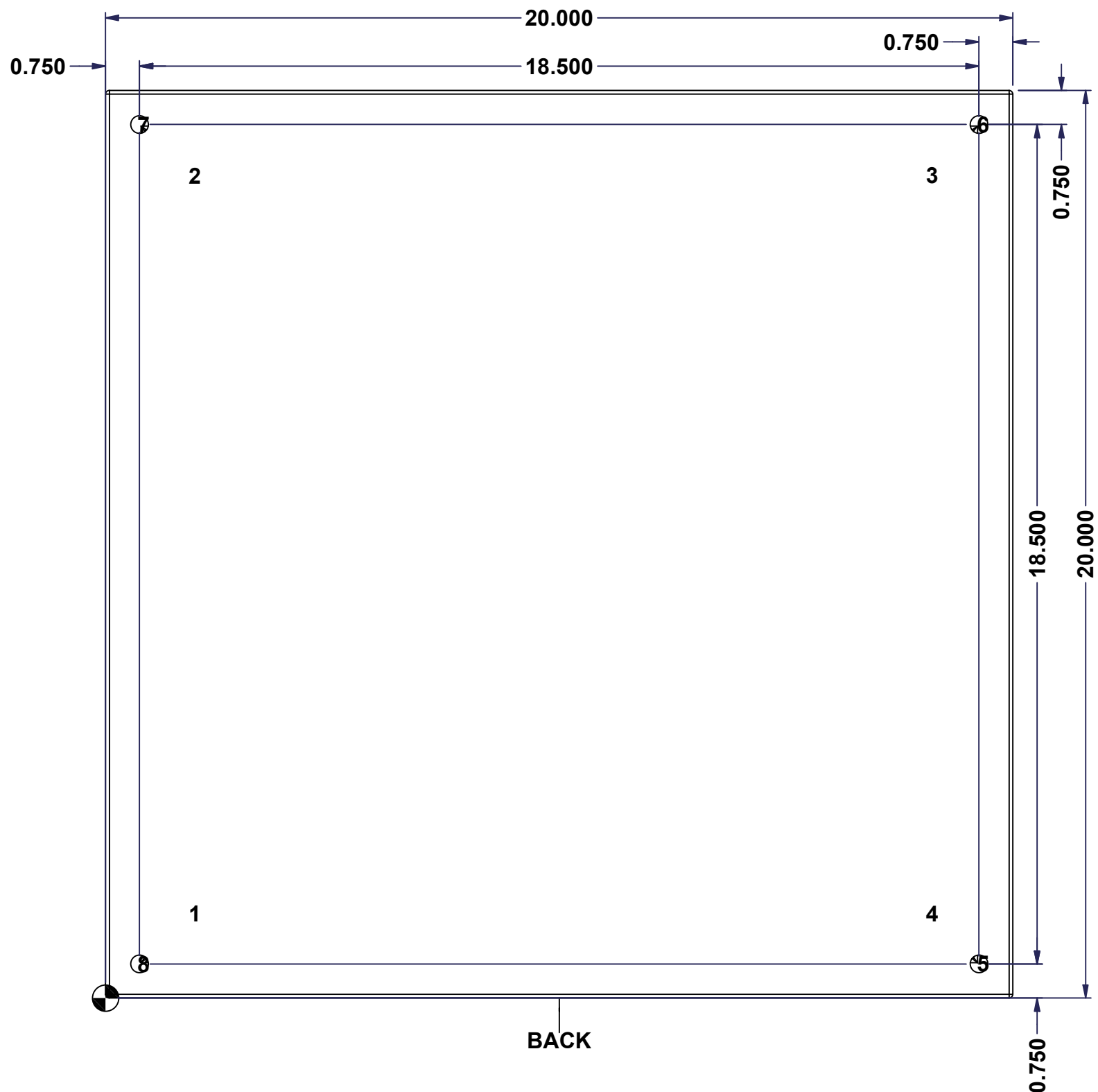


|  |                              |          |
|--|------------------------------|----------|
|  | Description                  | Status   |
|  | 5412ESSW 20" x 20" x 6" Body | (NULL)   |
|  | Part Number<br>Numéro Pièce  | Rev.     |
|  | <b>5412ESSW2020066NOIPB</b>  | <b>0</b> |
|  |                              | 4        |
|  |                              | 9        |

This drawing is confidential and must not be reproduced or used without the consent of EXM

Ce dessin est confidentiel et ne doit pas être reproduit ou utilisé sans le consentement de EXM

| STANDARD FEATURES ARE NOT LISTED IN THIS HOLE TABLE |        |        |                            |
|---|--------|--------|----------------------------|
| HOLE TABLE - BACK VIEW (CUSTOM FEATURE ONLY)        |        |        |                            |
| CUT-OUT   | XDIM   | YDIM   | DESCRIPTION                |
| 1   | 1.875  | 1.875  | IP STUD M8 x 35mm (Inside) |
| 2   | 1.875  | 18.125 | IP STUD M8 x 35mm (Inside) |
| 3   | 18.125 | 18.125 | IP STUD M8 x 35mm (Inside) |
| 4   | 18.125 | 1.875  | IP STUD M8 x 35mm (Inside) |
| -----   |        |        |                            |
| 5   | 19.250 | 0.750  | RND Ø0.390                 |
| 6   | 19.250 | 19.250 | RND Ø0.390                 |
| 7   | 0.750  | 19.250 | RND Ø0.390                 |
| 8   | 0.750  | 0.750  | RND Ø0.390                 |

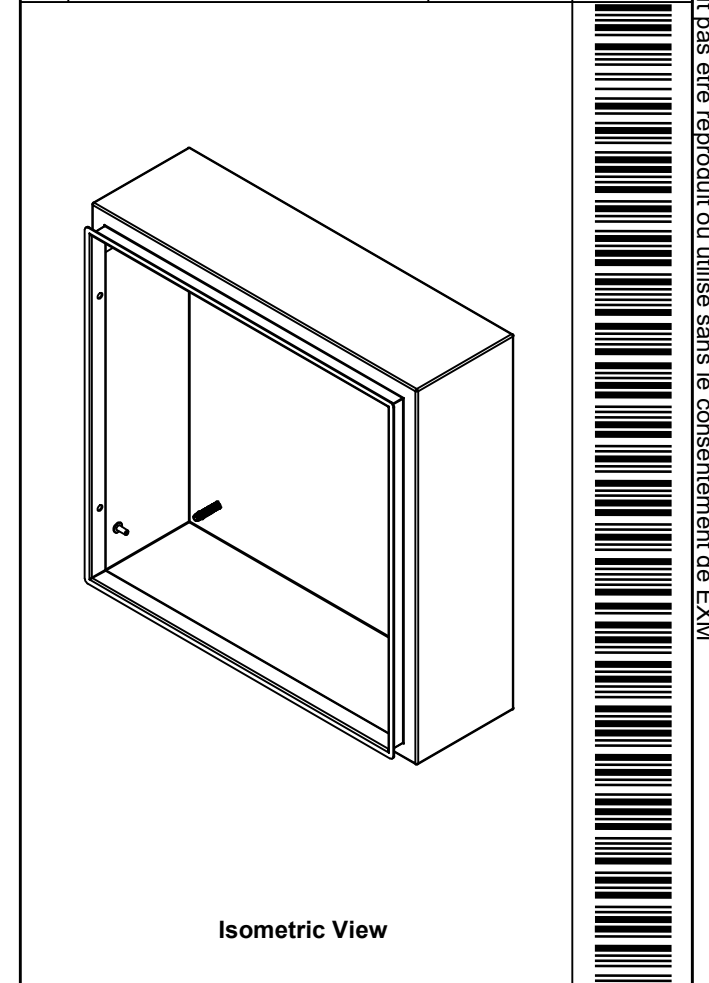



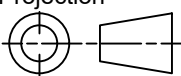
|  |                              |          |
|--|------------------------------|----------|
|  | Description                  | Status   |
|  | 5412ESSW 20" x 20" x 6" Body | (NULL)   |
|  | Part Number<br>Numéro Pièce  | Rev.     |
|  | <b>5412ESSW2020066NOIPB</b>  | <b>0</b> |
|  |                              | 5        |
|  |                              | 9        |

This drawing is confidential and must not be reproduced or used without the consent of EXM

Ce dessin est confidentiel et ne doit pas être reproduit ou utilisé sans le consentement de EXM

| No. | Revisions | Date | By/Par |
|-----|-----------|------|--------|
|     |           |      |        |
|     |           |      |        |
|     |           |      |        |
|     |           |      |        |
|     |           |      |        |

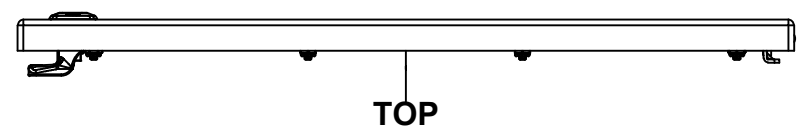


|  |                                   |   |
|--|-----------------------------------|---|
|  Tél: (450) 979-4373<br>Fax: (450) 979-4626<br><a href="http://www.exmweb.com">www.exmweb.com</a> |                                   | Flatness<br>Aplatissement<br>Max 3.0mm<br>Projection<br> |
| Customer Client  | Date                              |   |
| Drawn By<br>Dessiné Par  | BoxCad: BoxCad                    | Date 03-Jul-23  |
| Material<br>Matière  | 16 Ga Stainless Steel 316 (1.4mm) |   |
| Color<br>Couleur   | Unpainted                         | Finish<br>Fini<br>Brushed   |
| Description  |                                   | Detail Rev.   |
| 5412ESSW 20" x 20" x 6" Body   |                                   |   |
| Part Number<br>Numéro Pièce  | Rev.                              | 6   |
| <b>5412ESSW2020066NOIPB</b>  | <b>0</b>                          | 9   |

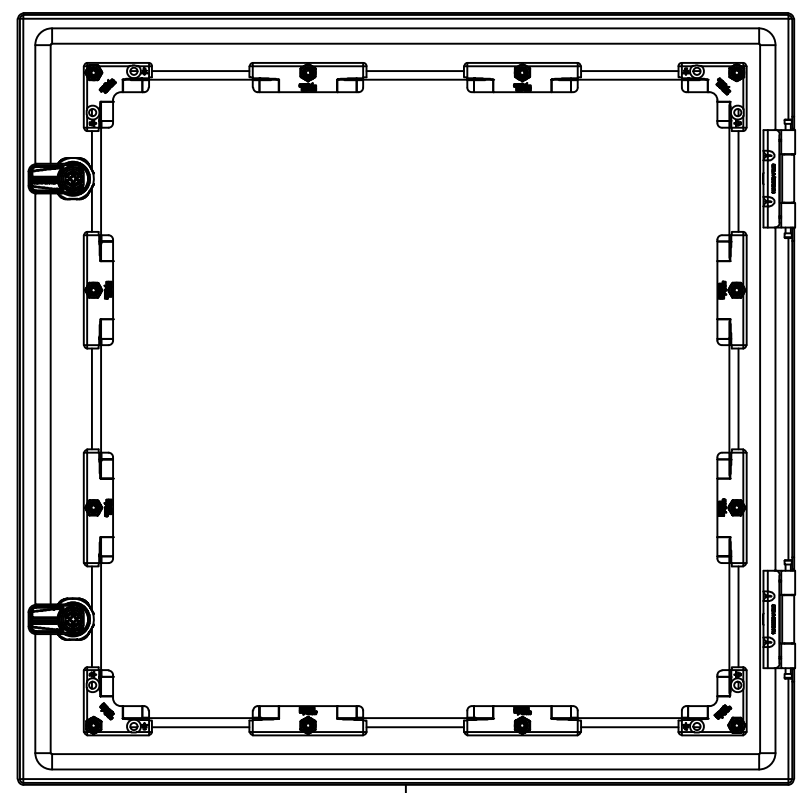
| Qty        | Part Number                | Rev | Description                            |
|------------|----------------------------|-----|--|
| 1          | STK-S-00100                | 0   | 3.5" x 2" Silver Milar Flexcon Sticker |
| 1          | STK-Q-16085                | 0   | Ground Stud M6 x 16mm Stainless Steel  |
| 4          | STK-Q-16020                | 1   | Stud M8 x 35mm Stainless Steel         |
| 1          | 5412ESSW2020066NOIP<br>B-P | 0   | 5412ESSW 20" x 20" x 6" Body Part      |
| Parts List |                            |     |  |

This drawing is confidential and must not be reproduced or used without the consent of EXM

Ce dessin est confidentiel et ne doit pas être reproduit ou utilisé sans le consentement de EXM



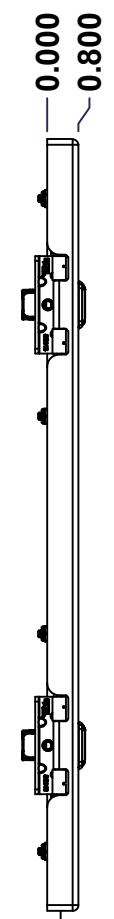
TOP



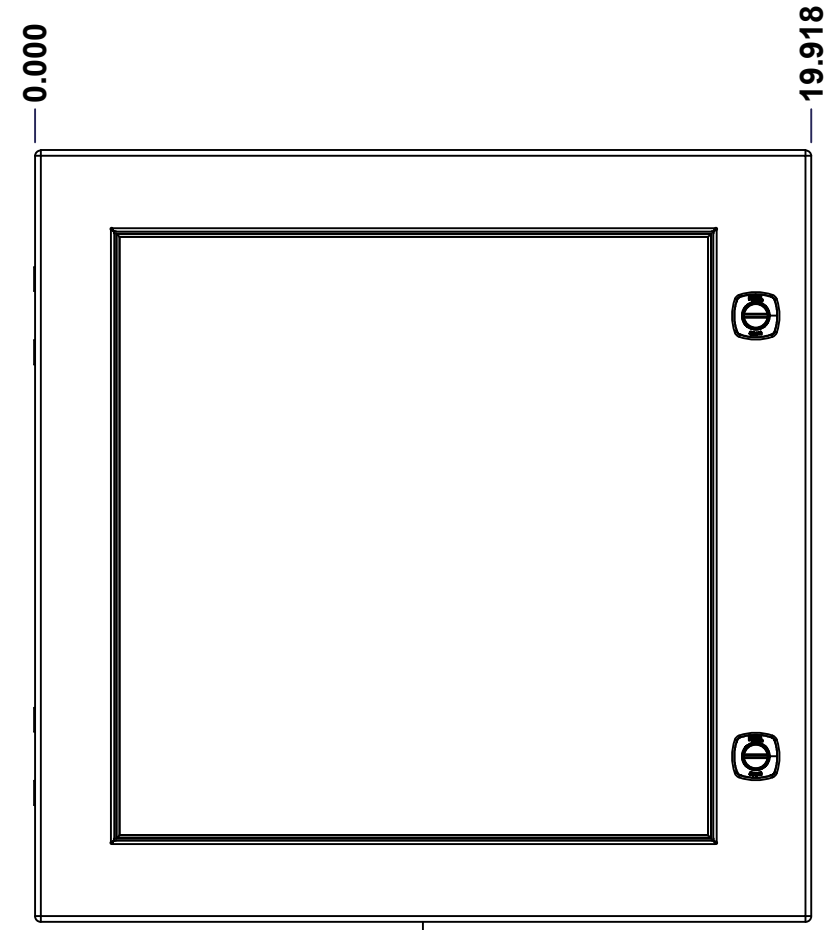
BACK



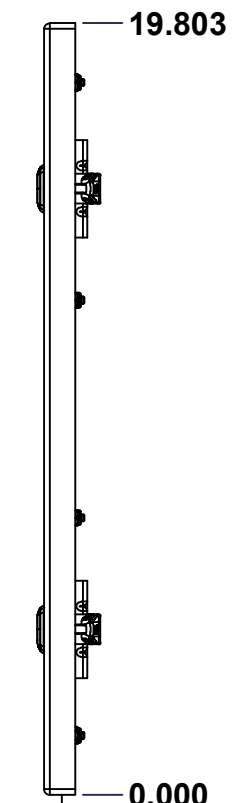
BOTTOM



LEFT

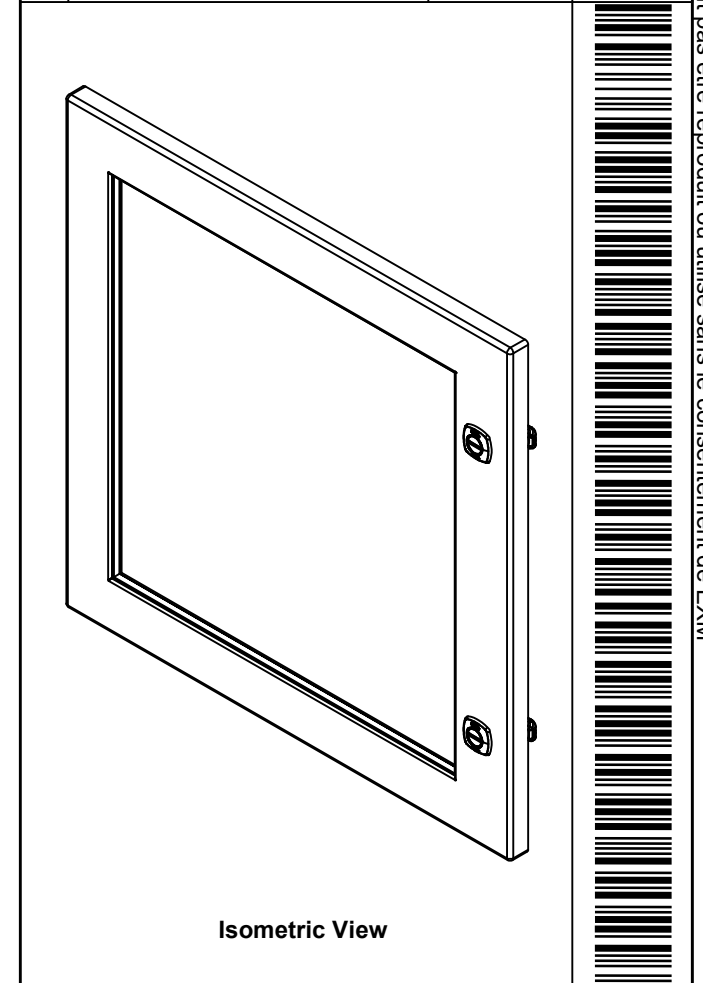


FRONT



RIGHT

| No. | Revisions | Date | By/Par |
|-----|-----------|------|--------|
|     |           |      |        |
|     |           |      |        |
|     |           |      |        |
|     |           |      |        |



Isometric View



|  |                                   |  |
|--|-----------------------------------|--|
| Tél: (450) 979-4373<br>Fax: (450) 979-4626<br><a href="http://www.exmweb.com">www.exmweb.com</a> |                                   | Flatness<br>Aplatissement<br>Max 3.0mm<br>Projection<br> |
| Customer Client  | Date                              |  |
| Drawn By<br>Dessiné Par  | BoxCad: BoxCad                    | Date 03-Jul-23   |
| Material<br>Matière  | 16 Ga Stainless Steel 316 (1.4mm) |  |
| Color<br>Couleur   | Unpainted                         | Finish<br>Fini Brushed                                   |
| Description  | Detail Rev.                       |  |
| 5412ESSW 20" x 20" Cover   |                                   |  |
| Part Number<br>Numéro Pièce  | Rev. 0                            | 7<br>9   |

SEE BILL OF MATERIAL ON LAST PAGE **5412ESSW2020066NOIPC**

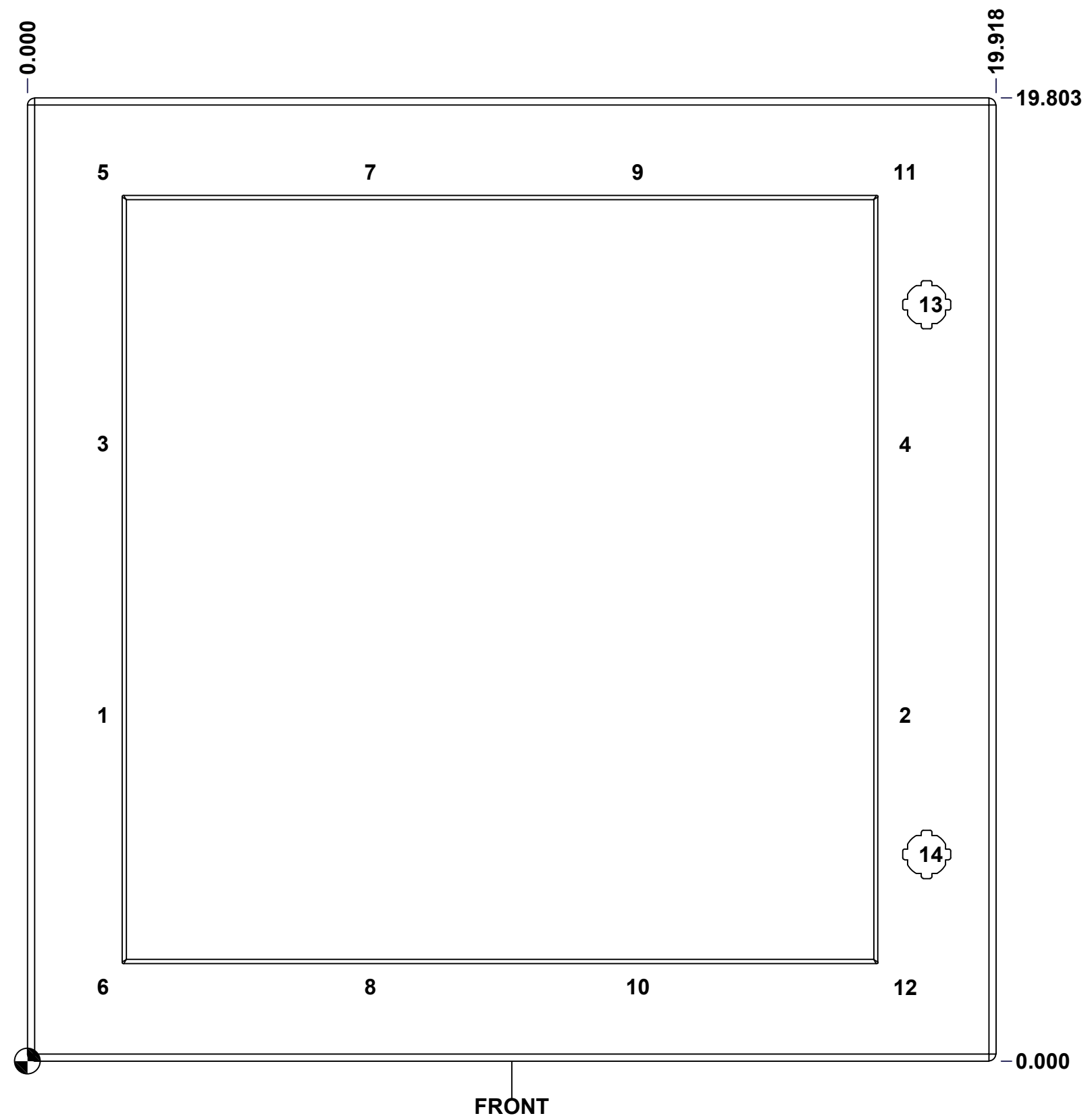
This drawing is confidential and must not be reproduced or used without the consent of EXM

Ce dessin est confidentiel et ne doit pas être reproduit ou utilisé sans le consentement de EXM

**STANDARD FEATURES ARE NOT LISTED IN THIS HOLE TABLE**

**HOLE TABLE - FRONT VIEW (CUSTOM FEATURE ONLY)**

| CUT-OUT | XDIM   | YDIM   | DESCRIPTION             |
|---------|--------|--------|-------------------------|
| 1       | 1.469  | 7.110  | STUD M6 x 18mm (Inside) |
| 2       | 17.968 | 7.110  | STUD M6 x 18mm (Inside) |
| 3       | 1.469  | 12.693 | STUD M6 x 18mm (Inside) |
| 4       | 17.968 | 12.693 | STUD M6 x 18mm (Inside) |
| 5       | 1.469  | 18.276 | STUD M6 x 18mm (Inside) |
| 6       | 1.469  | 1.527  | STUD M6 x 18mm (Inside) |
| 7       | 6.969  | 18.276 | STUD M6 x 18mm (Inside) |
| 8       | 6.969  | 1.527  | STUD M6 x 18mm (Inside) |
| 9       | 12.468 | 18.276 | STUD M6 x 18mm (Inside) |
| 10      | 12.468 | 1.527  | STUD M6 x 18mm (Inside) |
| 11      | 17.968 | 18.276 | STUD M6 x 18mm (Inside) |
| 12      | 17.968 | 1.527  | STUD M6 x 18mm (Inside) |
| -----   |        |        |                         |
| 13      | 18.494 | 15.553 | 880 SCQ4-SLSS6          |
| 14      | 18.494 | 4.250  | 880 SCQ4-SLSS6          |



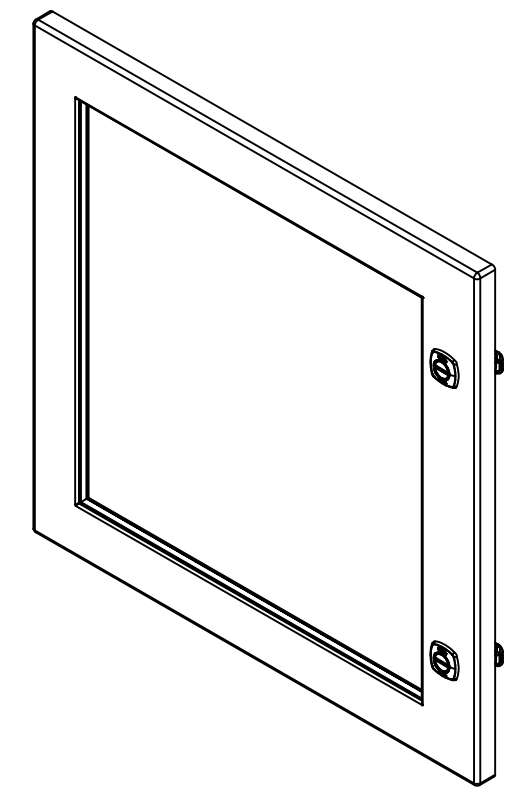
|  |                             |          |
|--|-----------------------------|----------|
|  | Description                 | Status   |
|  | 5412ESSW 20" x 20" Cover    | (NULL)   |
|  | Part Number<br>Numéro Pièce | Rev.     |
|  | <b>5412ESSW2020066NOIPC</b> | <b>0</b> |
|  |                             | 8        |
|  |                             | 9        |



This drawing is confidential and must not be reproduced or used without the consent of EXM

Ce dessin est confidentiel et ne doit pas être reproduit ou utilisé sans le consentement de EXM


| No. | Revisions | Date | By/Par |
|-----|-----------|------|--------|
|     |           |      |        |
|     |           |      |        |
|     |           |      |        |
|     |           |      |        |
|     |           |      |        |



Isometric View



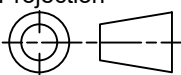
| QTY        | Part Number             | Rev | Description                           |
|------------|-------------------------|-----|---------------------------------------|
| 8          | STK-Q-60701             | 2.1 | 880 WK - Lexan 1/4" Fixing Bracket    |
| 1          | STK-A-60703             | 0   | 5412 ESW Lexan Bracket Kit            |
| 12         | STK-Q-16053             | 1   | Stud M6 x 23mm Stainless steel        |
| 1          | STK-G-02710             | 0   | 880 HWKG - Windows Kit Gasket         |
| 1          | 5412ESSW2020066NOIP LXG | 0   | 5412ESSW 20" x 20" Lexan Gasket Part  |
| 1          | 5412ESSW2020066NOIP LX  | 0   | 5412ESSW 16.375" x 16.125" Lexan Part |
| 1          | 5412ESSW2020066NOIP G   | 0   | 5412ESSW 20" x 20" Cover Gasket Part  |
| 1          | 5412ESSW2020066NOIP C-P | 0   | 5412ESSW 20" x 20" Cover Part         |
| 2          | 880 SCQ4-SLSS6          | 7   | 5412 ESS 1/4 Turn Lock                |
| 2          | STK-A-33016             | 0   | 5412 ESS Bended Hinge (Body Part)     |
| Parts List |                         |     |                                       |



Tél: (450) 979-4373  
Fax: (450) 979-4626  
[www.exmweb.com](http://www.exmweb.com)

Flatness  
Aplatissement  
Max 3.0mm

Projection



|  |                        |
|--|------------------------|
| Customer Client  | Date                   |
| Drawn By<br>Dessiné Par BoxCad: BoxCad                     | Date 03-Jul-23         |
| Material<br>Matière 16 Ga Stainless Steel 316 (1.4mm)      |                        |
| Color<br>Couleur Unpainted                                 | Finish<br>Fini Brushed |
| Description<br>5412ESSW 20" x 20" Cover                    | Detail Rev.            |
| Part Number<br>Numéro Pièce<br><b>5412ESSW2020066NOIPC</b> | Rev. <b>0</b>          |