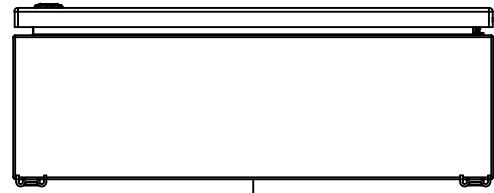
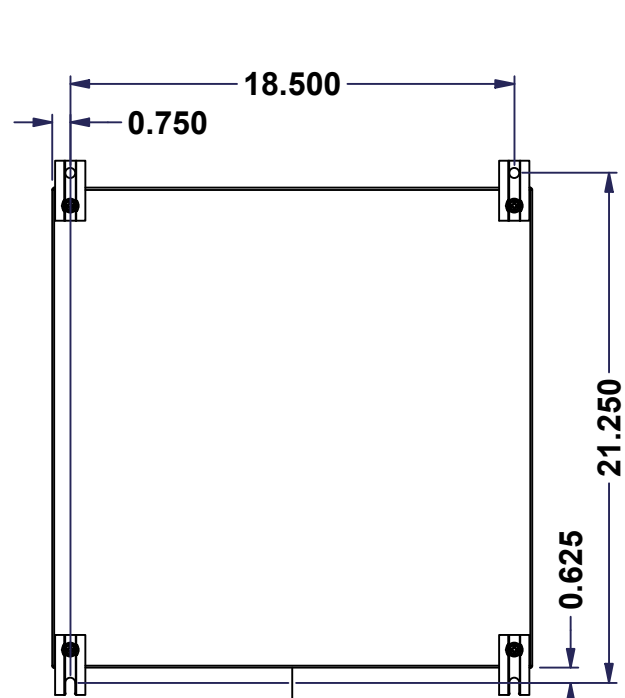


This drawing is confidential and must not be reproduced or used without the consent of EXM

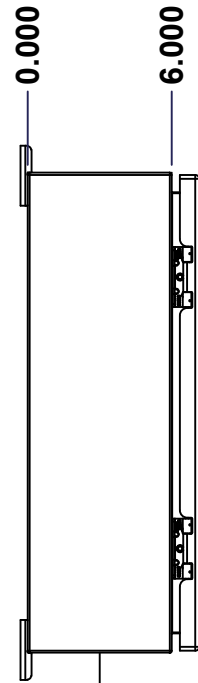
Ce dessin est confidentiel et ne doit pas être reproduit ou utilisé sans le consentement de EXM



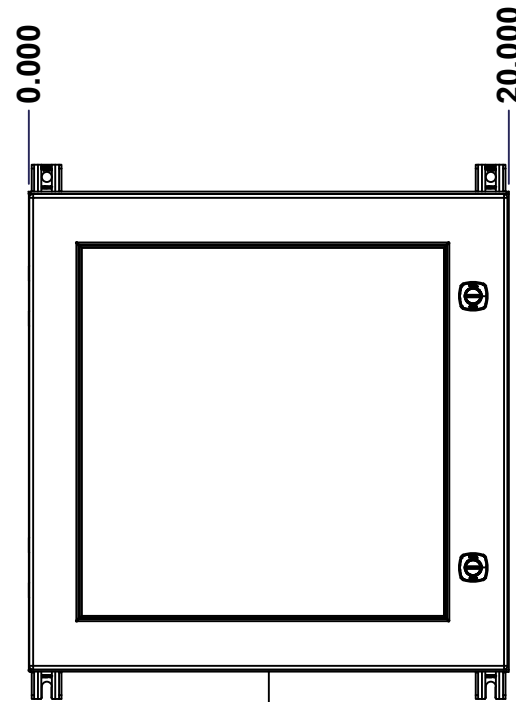
TOP



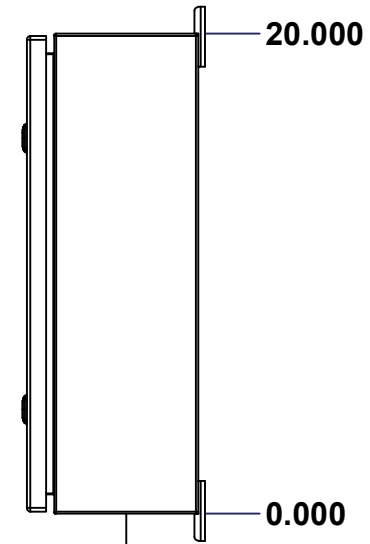
BACK



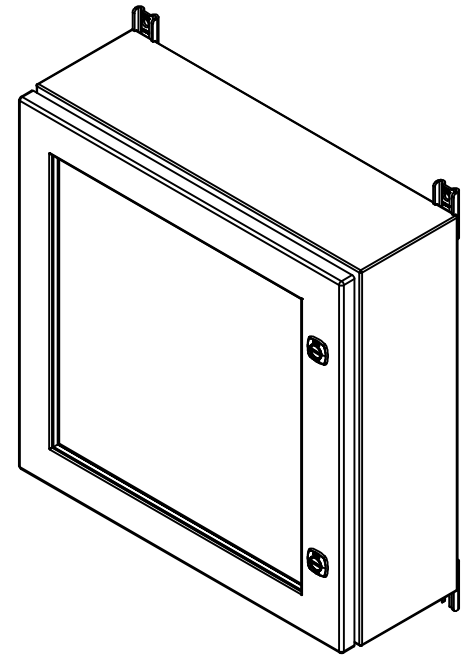
LEFT



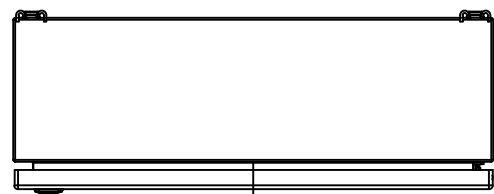
FRONT



RIGHT



Isometric View


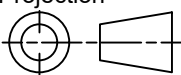


BOTTOM

**GRAIN DIRECTION:
TOP/BOTTOM: HORIZONTAL
LEFT/RIGHT/BACK/FRONT: VERTICAL**

SEE BILL OF MATERIAL ON LAST PAGE

| No. | Revisions | Date | By/Par |
|-----|-----------|------|--------|
| | | | |
| | | | |
| | | | |
| | | | |

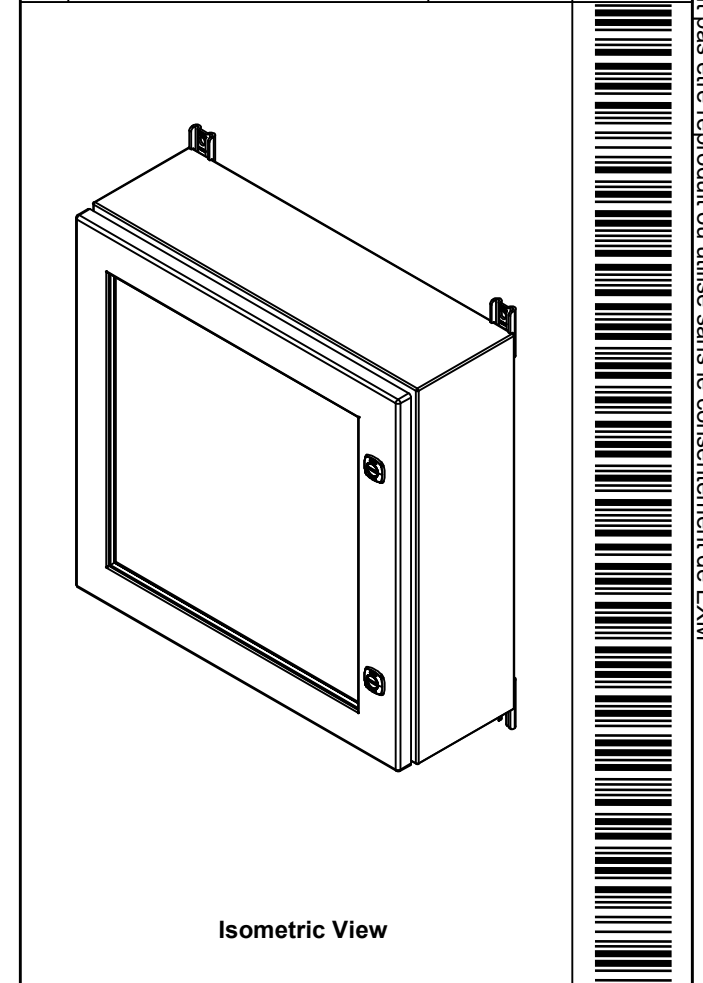
| | | |
|--|-----------------------------------|---|
|  Tél: (450) 979-4373 Fax: (450) 979-4626 www.exmweb.com | | Flatness Aplatissement Max 3.0mm Projection  |
| Customer Client | Date | |
| Drawn By Dessiné Par | BoxCad: BoxCad | Date 20-Jun-23 |
| Material Matière | 16 Ga Stainless Steel 316 (1.4mm) | |
| Color Couleur | Unpainted | Finish Fini Brushed |
| Description | Detail Rev. | |
| 5412ESSW 20" x 20" x 6" Assembly | | |
| Part Number Numéro Pièce | Rev. | 1 |
| 5412ESSW2020066TH | 0 | 15 |


This drawing is confidential and must not be reproduced or used without the consent of EXM

Ce dessin est confidentiel et ne doit pas être reproduit ou utilisé sans le consentement de EXM

| NOTE | |
|------|---|
| ITEM | DESCRIPTION |
| 1 | NEMA 4X Enclosure |
| 2 | C/W Standard ground studs on box and cover |
| 3 | W/O Standard door stiffener |
| 4 | C/W Standard inner panel (Included) |
| 5 | C/W Standard inner panel mounting studs |
| 6 | C/W 885 ESMF4_OPEN Sold separately (Installed) |
| 7 | C/W 885 ESMF4_CLOSE Sold separately (Installed) |
| 8 | C/W R5 Insulation (Installed by EXM) |

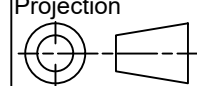
| No. | Revisions | Date | By/Par |
|-----|-----------|------|--------|
| | | | |
| | | | |
| | | | |
| | | | |
| | | | |
| | | | |





Tél: (450) 979-4373
Fax: (450) 979-4626
www.exmweb.com

Flatness
Aplatissement
Max 3.0mm
Projection



| | |
|--|-----------------------------------|
| Customer Client | Date |
| Drawn By Dessiné Par BoxCad: BoxCad | Date 20-Jun-23 |
| Material Matière | 16 Ga Stainless Steel 316 (1.4mm) |

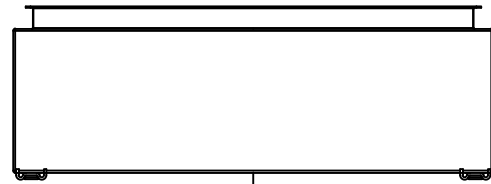
| PACKING | | |
|-----------------------|-----|--|
| ITEM | QTY | DESCRIPTION |
| Cardboard sleeve | 2 | Top and Bottom |
| Cardboard strip | 2 | Between back of enclosure and inner panel |
| Plastic bag | 1 | To protect cover surface and inside gasket |
| Plastic strap - Black | 2 | To Squeeze the 2 cardboard sleeve together |
| Packaging label | 1 | White label with product number |

| | | | |
|------------|--------------------|-----|--|
| 4 | STK-Q-00600 | 2 | M12 to M8 Adaptor |
| 1 | 881 SP2020G | 0 | 881 SP - Inner Panel |
| 1 | STK-K-01800 | 5 | 5412 ES Accessory Kit |
| 1 | 5412ESSW2020066THC | 0 | 5412ESSW 20" x 20" Cover |
| 1 | 5412ESSW2020066THB | 0 | 5412ESSW 20" x 20" x 6" Body |
| 2 | STK-Q-04051-08 | 1 | M6 x 8mm Stainless Steel Hexagon Socket Head Machine Screw with Nyseal |
| Qty | Part Number | Rev | Description |
| Parts List | | | |

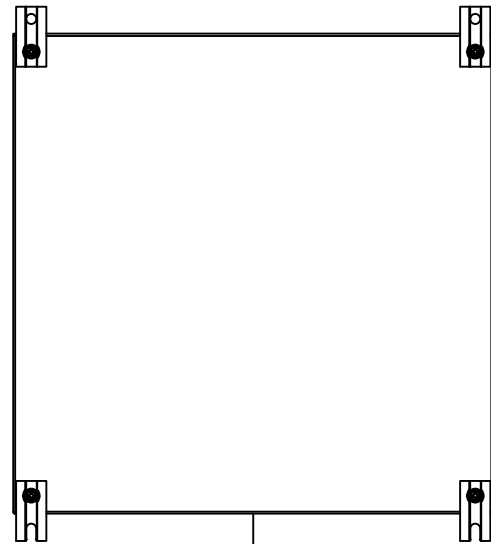
| | | | |
|-----------------------------|----------------------------------|----------------|----------|
| Color Couleur | Unpainted | Finish Fini | Brushed |
| Description | 5412ESSW 20" x 20" x 6" Assembly | | |
| Part Number Numéro Pièce | 5412ESSW2020066TH | | Rev. 2 |
| | | | 0 |
| | | | 15 |

This drawing is confidential and must not be reproduced or used without the consent of EXM

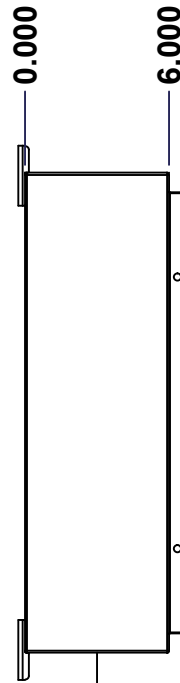
Ce dessin est confidentiel et ne doit pas être reproduit ou utilisé sans le consentement de EXM



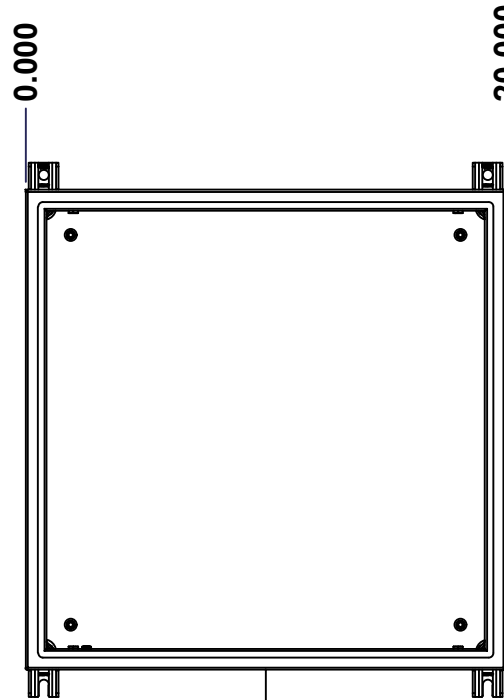
TOP



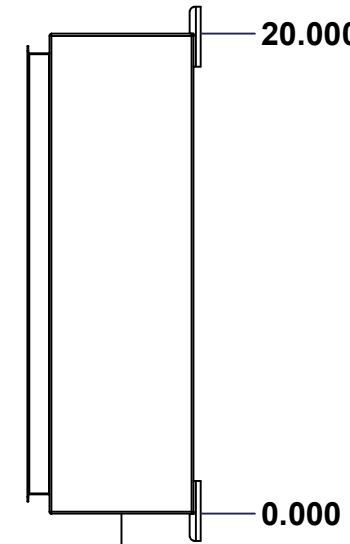
BACK



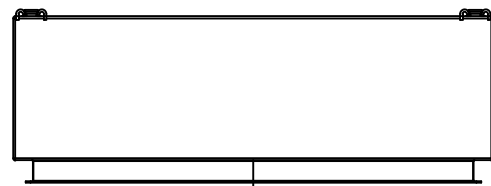
LEFT



FRONT

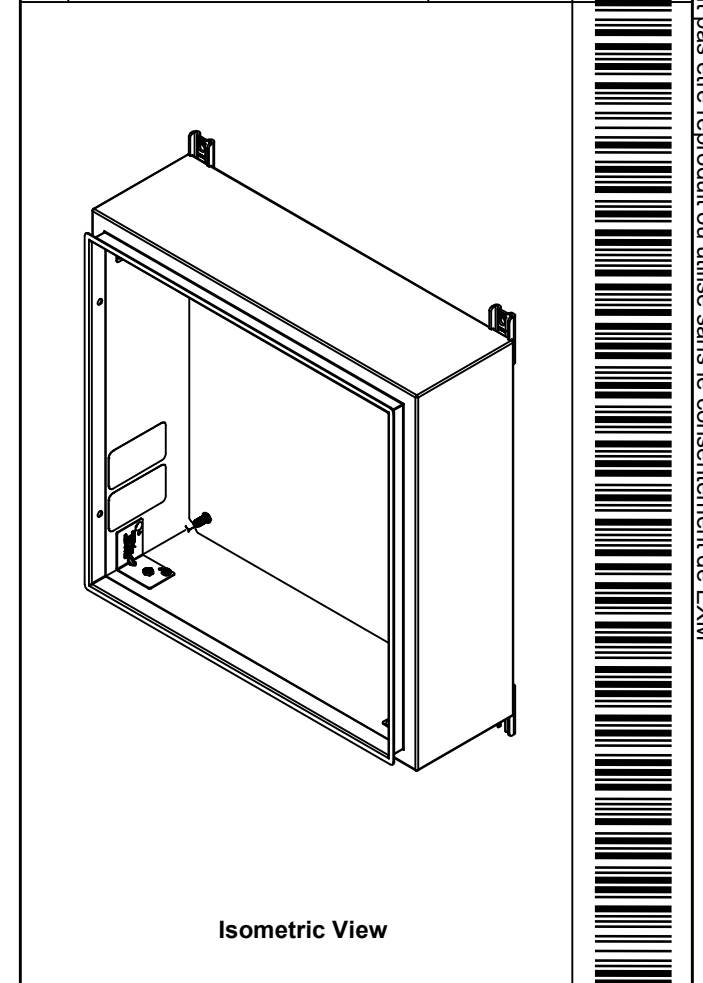


RIGHT



BOTTOM

| No. | Revisions | Date | By/Par |
|-----|-----------|------|--------|
| | | | |
| | | | |
| | | | |
| | | | |

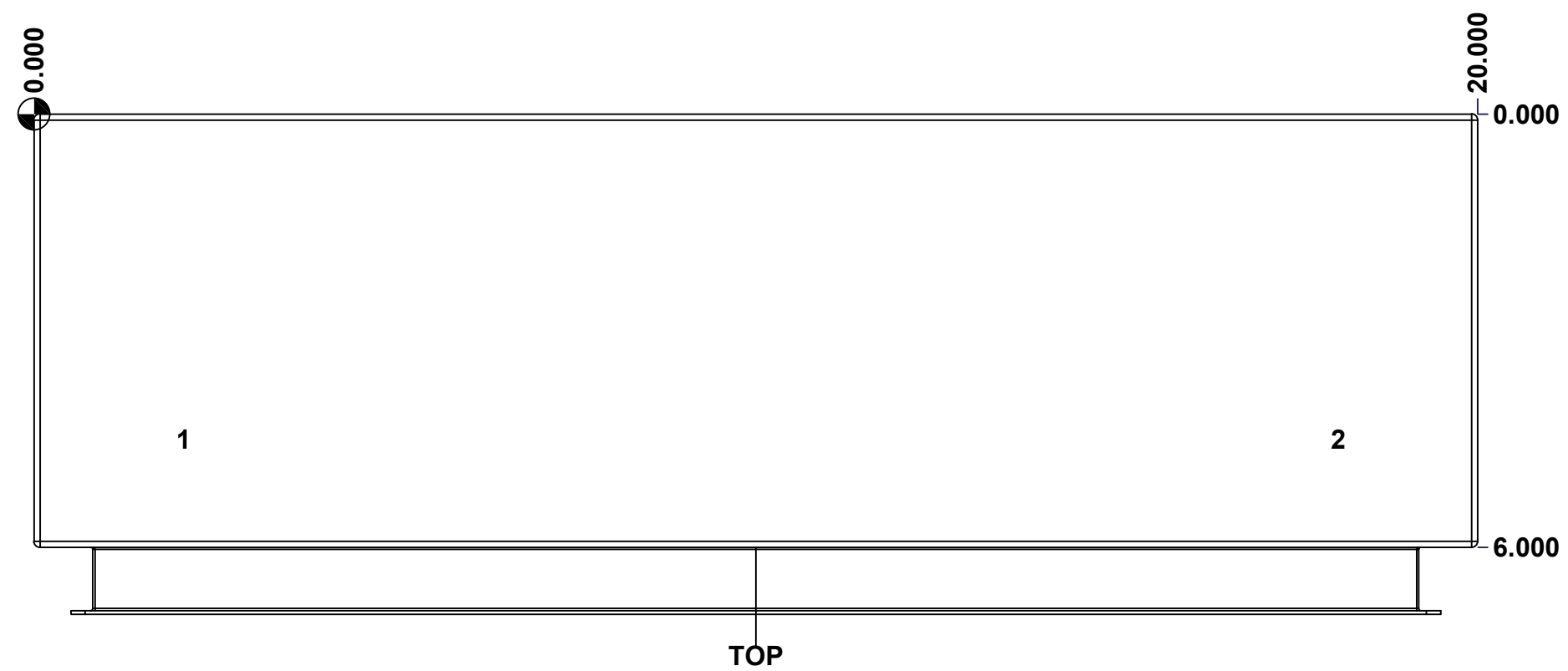


| | | |
|--|------------------------|---------------------------|
|  Tél: (450) 979-4373 Fax: (450) 979-4626 www.exmweb.com | | Flatness Aplatissement |
| | | Max 3.0mm |
| Customer Client | | Date |
| Drawn By Dessiné Par BoxCad: BoxCad | | Date 20-Jun-23 |
| Material Matière 16 Ga Stainless Steel 316 (1.4mm) | | |
| Color Couleur Unpainted | Finish Fini Brushed | |
| Description 5412ESSW 20" x 20" x 6" Body | | Detail Rev. |
| Part Number Numéro Pièce 5412ESSW2020066THB | | Rev. 3 |
| SEE BILL OF MATERIAL ON LAST PAGE | | 0 |

This drawing is confidential and must not be reproduced or used without the consent of EXM

Ce dessin est confidentiel et ne doit pas être reproduit ou utilisé sans le consentement de EXM

| STANDARD FEATURES ARE NOT LISTED IN THIS HOLE TABLE | | | |
|---|--------|-------|--------------------------------|
| HOLE TABLE - TOP VIEW (CUSTOM FEATURE ONLY) | | | |
| CUT-OUT | XDIM | YDIM | DESCRIPTION |
| 1 | 2.000 | 4.500 | INSUL. STUD M6 x 18mm (Inside) |
| 2 | 18.000 | 4.500 | INSUL. STUD M6 x 18mm (Inside) |

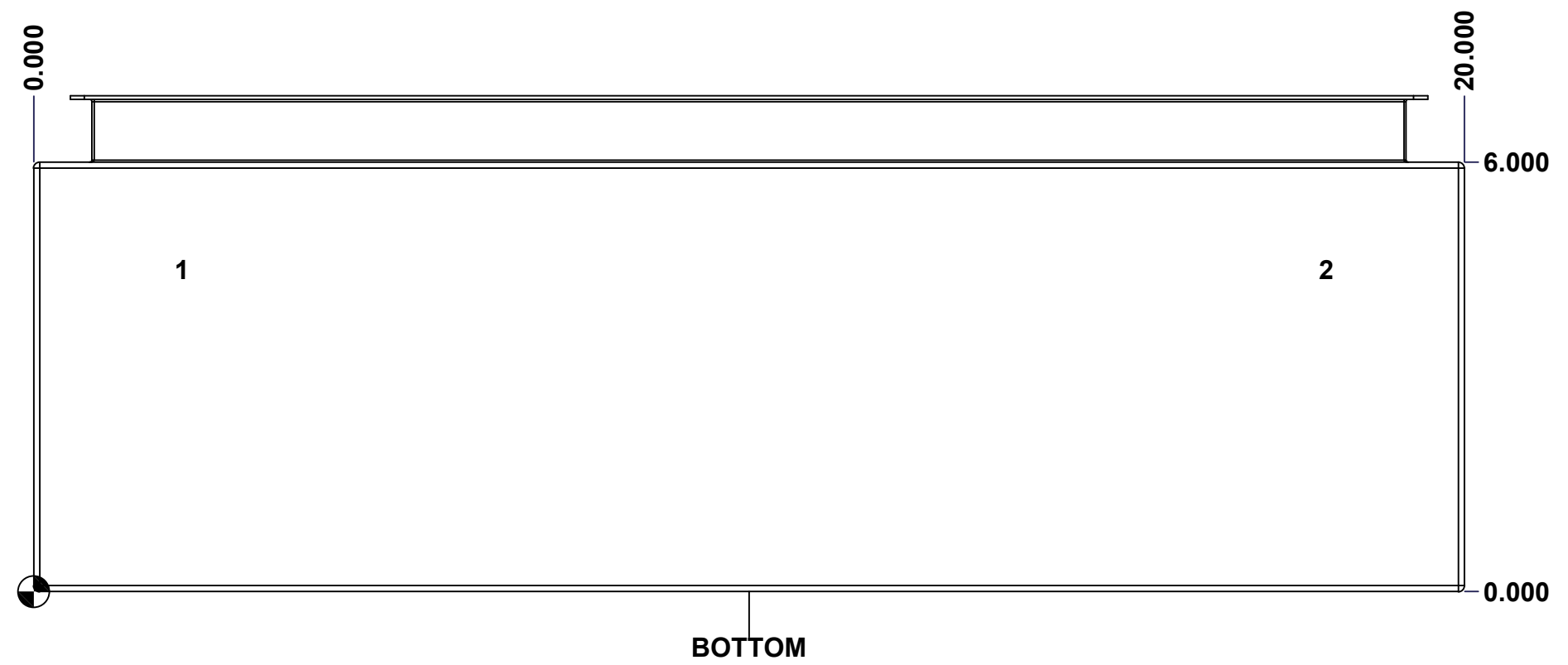


| | | | |
|--|------------------------------|----------|----|
| | Description | Status | |
| | 5412ESSW 20" x 20" x 6" Body | (NULL) | |
| | Part Number Numéro Pièce | Rev. | 4 |
| | 5412ESSW2020066THB | 0 | 15 |

This drawing is confidential and must not be reproduced or used without the consent of EXM

Ce dessin est confidentiel et ne doit pas être reproduit ou utilisé sans le consentement de EXM

| STANDARD FEATURES ARE NOT LISTED IN THIS HOLE TABLE | | | |
|--|--------|-------|--------------------------------|
| HOLE TABLE - BOTTOM VIEW (CUSTOM FEATURE ONLY) | | | |
| CUT-OUT | XDIM | YDIM | DESCRIPTION |
| 1 | 2.000 | 4.500 | INSUL. STUD M6 x 18mm (Inside) |
| 2 | 18.000 | 4.500 | INSUL. STUD M6 x 18mm (Inside) |



| | | |
|--|------------------------------|----------|
| | Description | Status |
| | 5412ESSW 20" x 20" x 6" Body | (NULL) |
| | Part Number Numéro Pièce | Rev. |
| | 5412ESSW2020066THB | 0 |
| | | 5 |
| | | 15 |

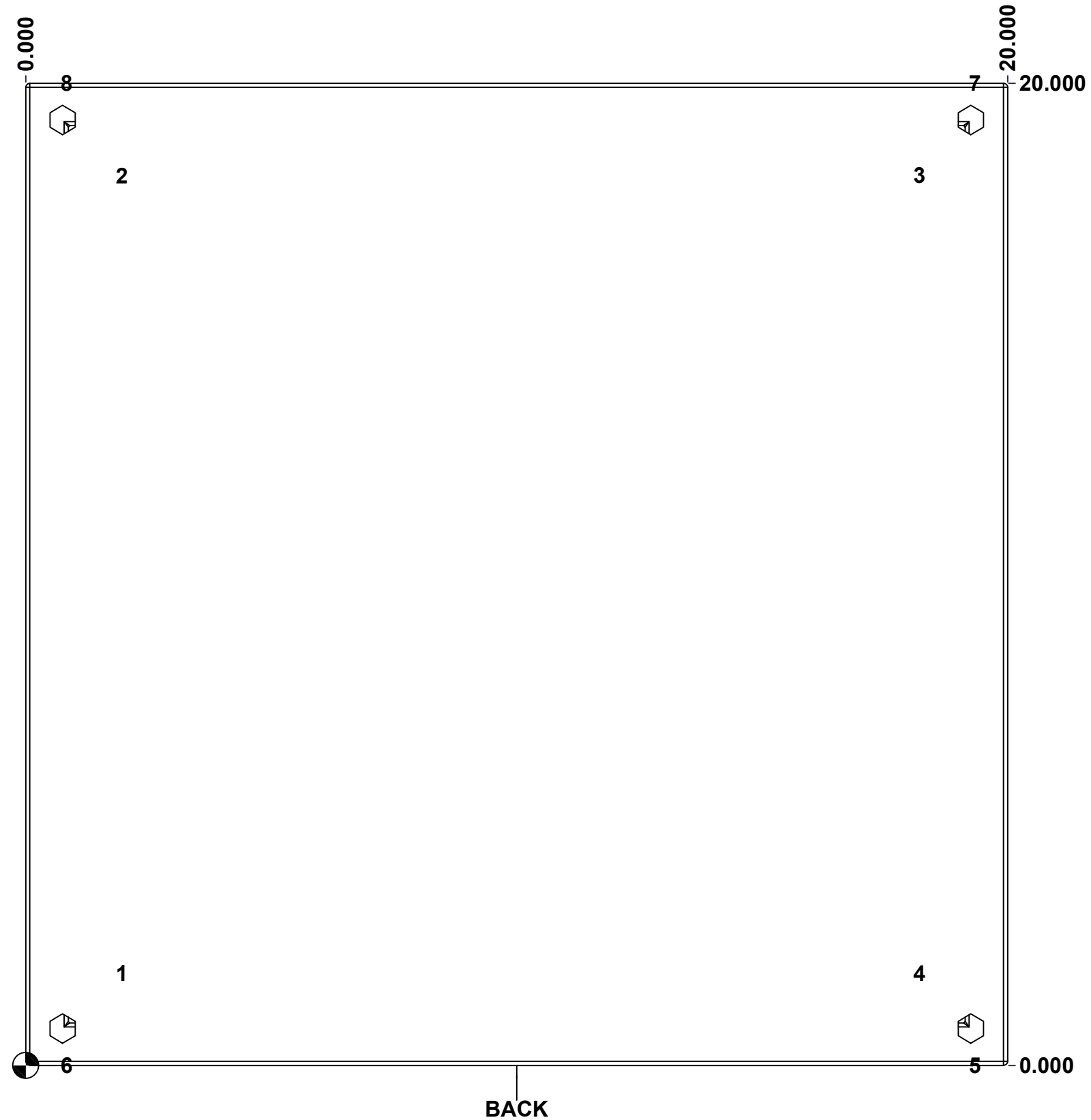
This drawing is confidential and must not be reproduced or used without the consent of EXM

Ce dessin est confidentiel et ne doit pas être reproduit ou utilisé sans le consentement de EXM

STANDARD FEATURES ARE NOT LISTED IN THIS HOLE TABLE

HOLE TABLE - BACK VIEW (CUSTOM FEATURE ONLY)

| CUT-OUT | XDIM | YDIM | DESCRIPTION |
|---------|--------|--------|----------------------------|
| 1 | 1.875 | 1.875 | IP STUD M8 x 35mm (Inside) |
| 2 | 1.875 | 18.125 | IP STUD M8 x 35mm (Inside) |
| 3 | 18.125 | 18.125 | IP STUD M8 x 35mm (Inside) |
| 4 | 18.125 | 1.875 | IP STUD M8 x 35mm (Inside) |
| ----- | | | |
| 5 | 19.250 | 0.000 | FOOT 885 ESMF4_OPEN |
| 6 | 0.750 | 0.000 | FOOT 885 ESMF4_OPEN |
| 7 | 19.250 | 20.000 | FOOT 885 ESMF4_CLOSE |
| 8 | 0.750 | 20.000 | FOOT 885 ESMF4_CLOSE |

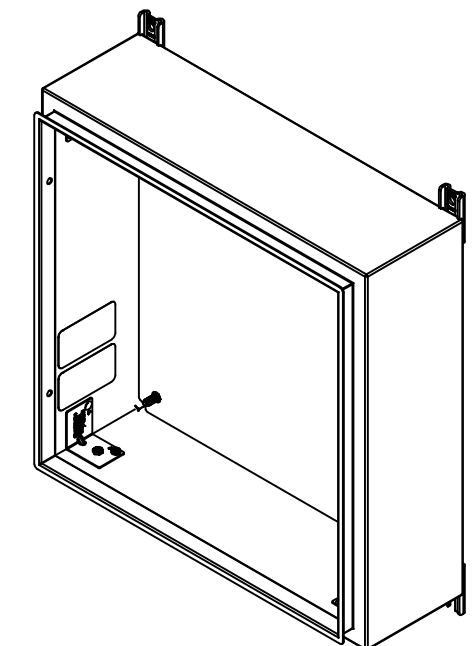


| | | |
|--|------------------------------|--------------|
| | Description | Status |
| | 5412ESSW 20" x 20" x 6" Body | (NULL) |
| | Part Number Numéro Pièce | Rev. |
| | 5412ESSW2020066THB | 0 / 6 |
| | | 15 |

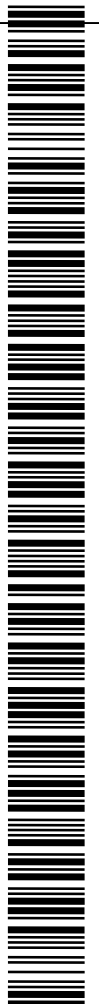
This drawing is confidential and must not be reproduced or used without the consent of EXM

Ce dessin est confidentiel et ne doit pas être reproduit ou utilisé sans le consentement de EXM

| No. | Revisions | Date | By/Par |
|-----|-----------|------|--------|
| | | | |
| | | | |
| | | | |
| | | | |
| | | | |



Isometric View



| | | | |
|------------|------------------------|-----|---|
| 2 | 885ESMF4-FEET | 0 | 885 ESMF4 Stainless Steel Mounting Foot |
| 4 | RIVET_NUT_SS_M10_FH_CE | 0 | Stainless Steel Rivet Nut M10 (Low Profile Close End) |
| 4 | STK-Q-06670 | 2 | M10 x 16mm Stainless Steel Machine Screw |
| 2 | 885ESMF4-FEET-A | 0 | 885 ESMF4 Stainless Steel Mounting Foot (Opened Slot) |
| 2 | STK-S-00100 | 0 | 3.5" x 2" Silver Milar Flexcon Sticker |
| 1 | STK-K-70554 | 3 | 5412 ESTH Accessory Kit |
| 1 | 5412ESSW2020066THI-RS | 0 | 5412ESSW 20" x 20" Right Insulation |
| 1 | 5412ESSW2020066THI-LS | 0 | 5412ESSW 20" x 20" Left Insulation |
| 1 | 5412ESSW2020066THI-BT | 0 | 5412ESSW 20" x 20" Top and Bottom Insulation |
| 1 | 5412ESSW2020066THI-TP | 0 | 5412ESSW 20" x 20" Top and Bottom Insulation |
| 1 | 5412ESSW2020066THI-B | 0 | 5412ESSW 20" x 20" Back Insulation |
| 4 | STK-Q-16070 | 1 | Stud M6 x 18mm Stainless steel |
| 4 | STK-Q-16020 | 1 | Stud M8 x 35mm Stainless Steel |
| 1 | 5412ESSW2020066THB-P | 0 | 5412ESSW 20" x 20" x 6" Body Part |
| Qty | Part Number | Rev | Description |
| Parts List | | | |

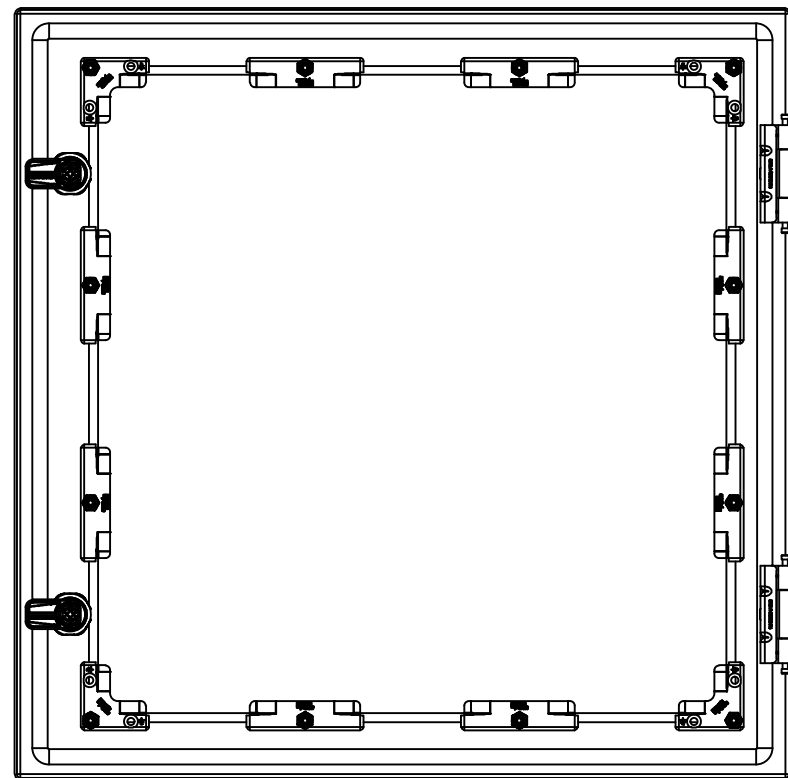
| | |
|---|-----------------------------------|
| <p>Tél: (450) 979-4373 Fax: (450) 979-4626 www.exmweb.com</p> | Flatness Aplatissement |
| | Max 3.0mm |
| Projection | |
| Customer Client | Date |
| Drawn By Dessiné Par | Date 20-Jun-23 |
| Material Matière | 16 Ga Stainless Steel 316 (1.4mm) |
| Color Couleur | Unpainted |
| Finish Fini | Brushed |
| Description | Detail Rev. |
| 5412ESSW 20" x 20" x 6" Body | |
| Part Number Numéro Pièce | Rev. 7 |
| 5412ESSW2020066THB | 0 |

This drawing is confidential and must not be reproduced or used without the consent of EXM

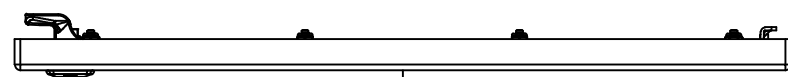
Ce dessin est confidentiel et ne doit pas être reproduit ou utilisé sans le consentement de EXM



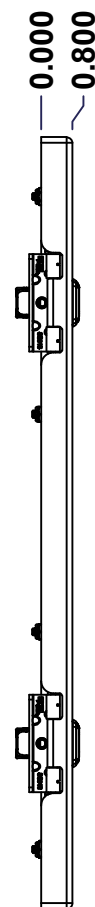
TOP



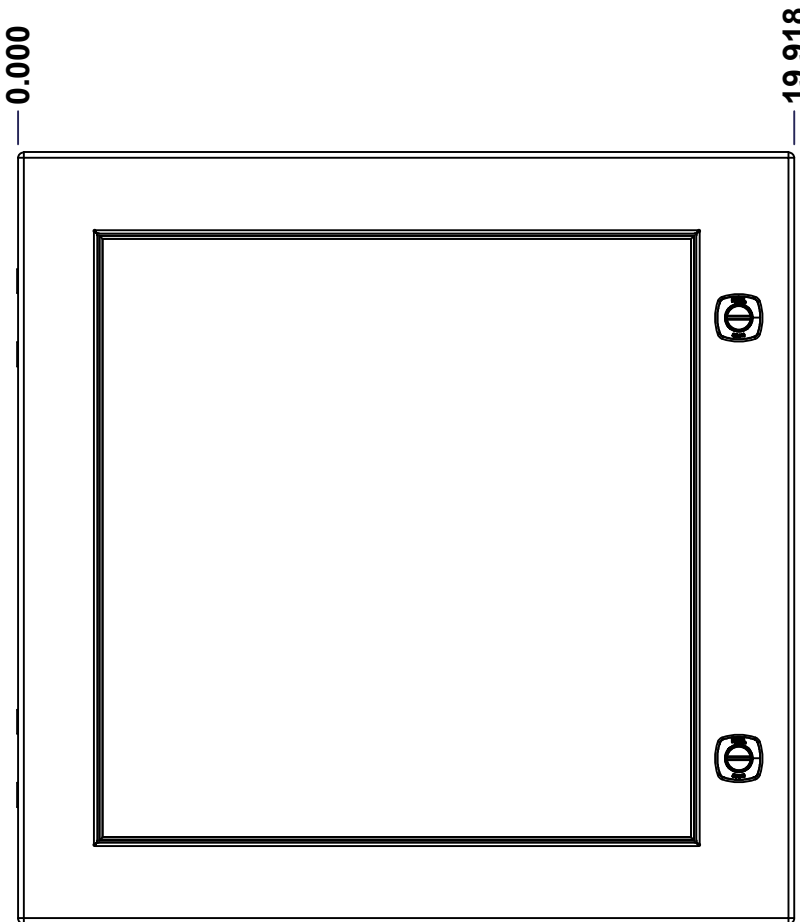
BACK



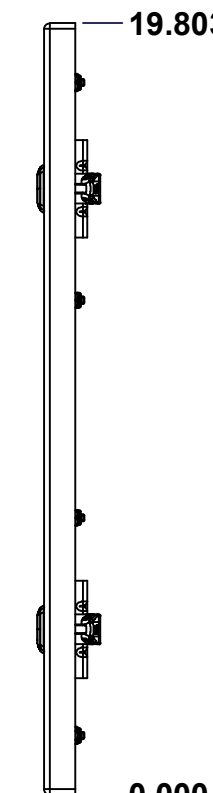
BOTTOM



LEFT

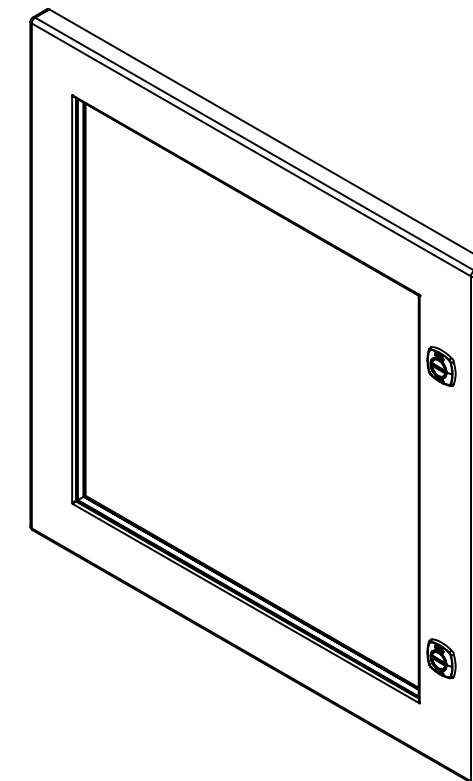


FRONT



RIGHT

| No. | Revisions | Date | By/Par |
|-----|-----------|------|--------|
| | | | |
| | | | |
| | | | |
| | | | |



Isometric View



Tél: (450) 979-4373
 Fax: (450) 979-4626
www.exmweb.com

Flatness
Aplatissement

Max 3.0mm

Projection



| | |
|---|-----------------|
| Customer Client | Date |
| Drawn By / Dessiné Par: BoxCad: BoxCad | Date: 20-Jun-23 |
| Material / Matière: 16 Ga Stainless Steel 316 (1.4mm) | |

| | |
|----------------------------|------------------------|
| Color / Couleur: Unpainted | Finish / Fini: Brushed |
|----------------------------|------------------------|

| | |
|---------------------------------------|-------------|
| Description: 5412ESSW 20" x 20" Cover | Detail Rev. |
|---------------------------------------|-------------|

| | | |
|--|--------|---|
| Part Number / Numéro Pièce: 5412ESSW2020066THC | Rev. 0 | 8 |
|--|--------|---|

SEE BILL OF MATERIAL ON LAST PAGE

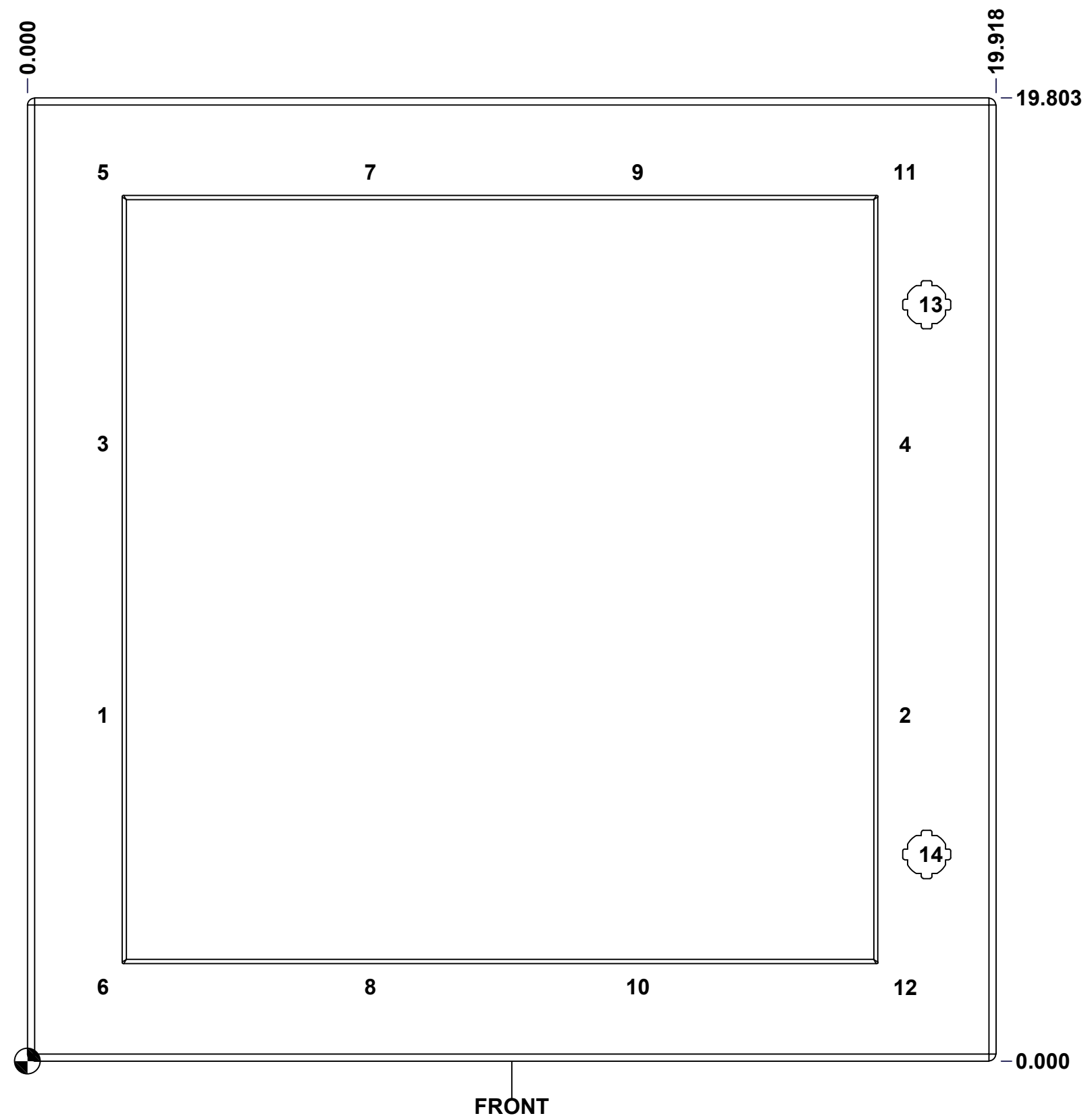
This drawing is confidential and must not be reproduced or used without the consent of EXM

Ce dessin est confidentiel et ne doit pas être reproduit ou utilisé sans le consentement de EXM

STANDARD FEATURES ARE NOT LISTED IN THIS HOLE TABLE

HOLE TABLE - FRONT VIEW (CUSTOM FEATURE ONLY)

| CUT-OUT | XDIM | YDIM | DESCRIPTION |
|---------|--------|--------|-------------------------|
| 1 | 1.469 | 7.110 | STUD M6 x 18mm (Inside) |
| 2 | 17.968 | 7.110 | STUD M6 x 18mm (Inside) |
| 3 | 1.469 | 12.693 | STUD M6 x 18mm (Inside) |
| 4 | 17.968 | 12.693 | STUD M6 x 18mm (Inside) |
| 5 | 1.469 | 18.276 | STUD M6 x 18mm (Inside) |
| 6 | 1.469 | 1.527 | STUD M6 x 18mm (Inside) |
| 7 | 6.969 | 18.276 | STUD M6 x 18mm (Inside) |
| 8 | 6.969 | 1.527 | STUD M6 x 18mm (Inside) |
| 9 | 12.468 | 18.276 | STUD M6 x 18mm (Inside) |
| 10 | 12.468 | 1.527 | STUD M6 x 18mm (Inside) |
| 11 | 17.968 | 18.276 | STUD M6 x 18mm (Inside) |
| 12 | 17.968 | 1.527 | STUD M6 x 18mm (Inside) |
| ----- | | | |
| 13 | 18.494 | 15.553 | 880 SCQ4-SLSS6 |
| 14 | 18.494 | 4.250 | 880 SCQ4-SLSS6 |



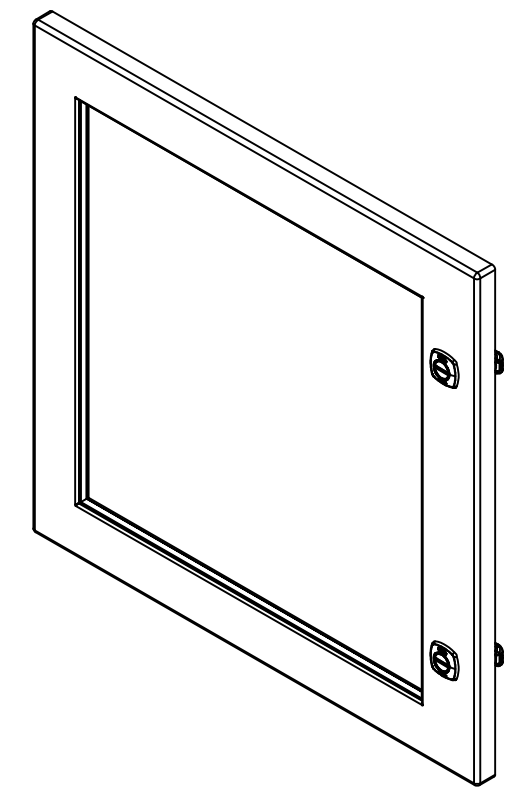
FRONT

| | | |
|--|-----------------------------|--------------|
| | Description | Status |
| | 5412ESSW 20" x 20" Cover | (NULL) |
| | Part Number Numéro Pièce | Rev. |
| | 5412ESSW2020066THC | 0 / 9 |
| | | 15 |

This drawing is confidential and must not be reproduced or used without the consent of EXM

Ce dessin est confidentiel et ne doit pas être reproduit ou utilisé sans le consentement de EXM


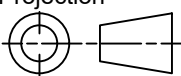
| No. | Revisions | Date | By/Par |
|-----|-----------|------|--------|
| | | | |
| | | | |
| | | | |
| | | | |
| | | | |



Isometric View

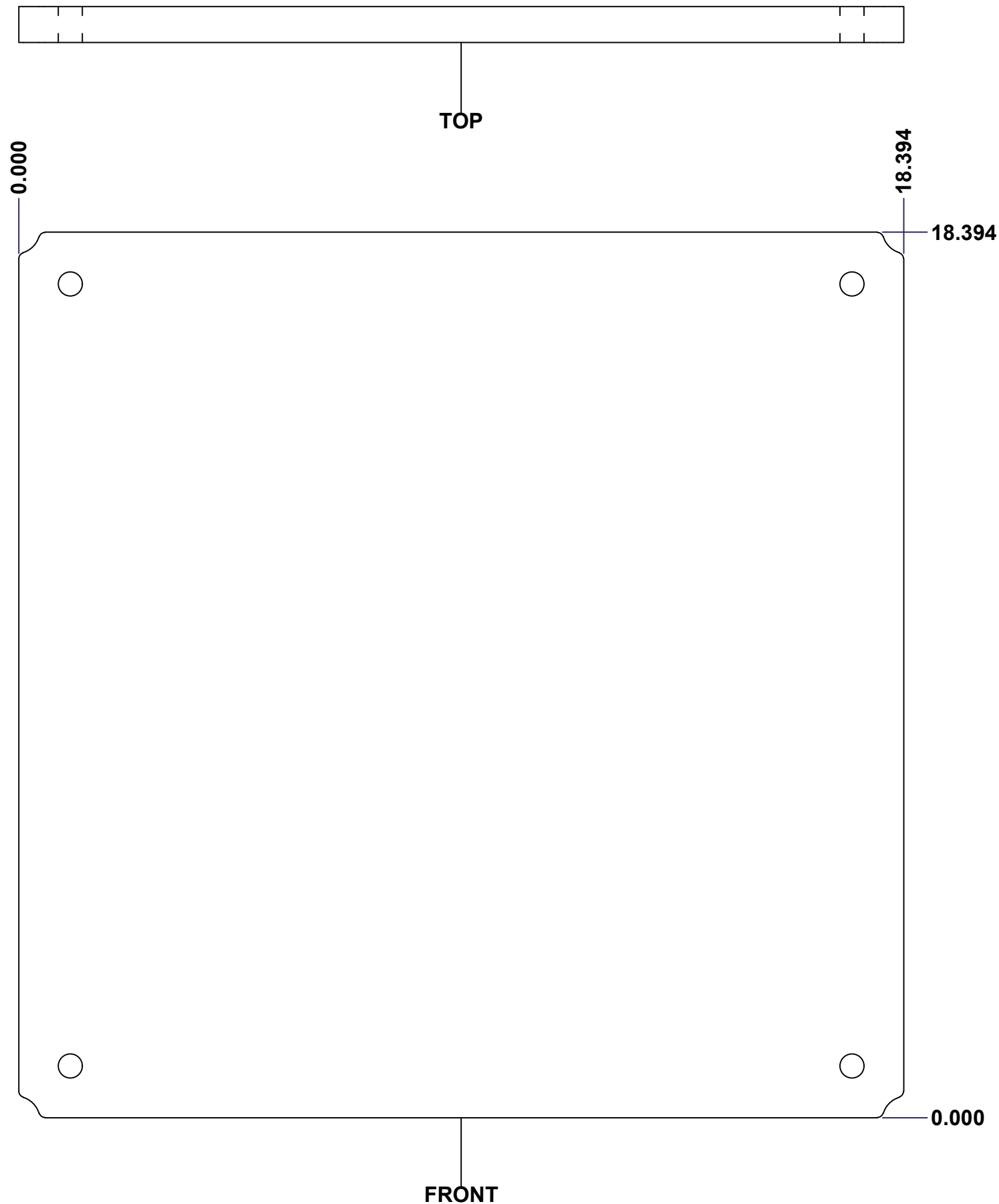


| QTY | Part Number | Rev | Description |
|------------|--------------------------|-----|---------------------------------------|
| 8 | STK-Q-60701 | 2.1 | 880 WK - Lexan 1/4" Fixing Bracket |
| 1 | STK-A-60703 | 0 | 5412 ESW Lexan Bracket Kit |
| 12 | STK-Q-16053 | 1 | Stud M6 x 23mm Stainless steel |
| 1 | STK-G-02710 | 0 | 880 HWKG - Windows Kit Gasket |
| 1 | 5412ESSW2020066THLX G | 0 | 5412ESSW 20" x 20" Lexan Gasket Part |
| 1 | 5412ESSW2020066THLX | 0 | 5412ESSW 16.375" x 16.125" Lexan Part |
| 1 | 5412ESSW2020066THG | 0 | 5412ESSW 20" x 20" Cover Gasket Part |
| 1 | 5412ESSW2020066THC- P | 0 | 5412ESSW 20" x 20" Cover Part |
| 2 | 880 SCQ4-SLSS6 | 7 | 5412 ESS 1/4 Turn Lock |
| 2 | STK-A-33016 | 0 | 5412 ESS Bended Hinge (Body Part) |
| Parts List | | | |

| | | |
|--|-----------------------------------|---|
|  Tél: (450) 979-4373 Fax: (450) 979-4626 www.exmweb.com | | Flatness Aplatissement Max 3.0mm Projection  |
| Customer Client | Date | |
| Drawn By Dessiné Par | BoxCad: BoxCad | Date 20-Jun-23 |
| Material Matière | 16 Ga Stainless Steel 316 (1.4mm) | |
| Color Couleur | Unpainted | Finish Fini Brushed |
| Description | | Detail Rev. |
| 5412ESSW 20" x 20" Cover | | |
| Part Number Numéro Pièce | Rev. | 10 |
| 5412ESSW2020066THC | 0 | 15 |

This drawing is confidential and must not be reproduced or used without the consent of EXM

Ce dessin est confidentiel et ne doit pas être reproduit ou utilisé sans le consentement de EXM



| No. | Revisions | Date | By/Par |
|-----|-----------|------|--------|
| | | | |
| | | | |
| | | | |
| | | | |
| | | | |

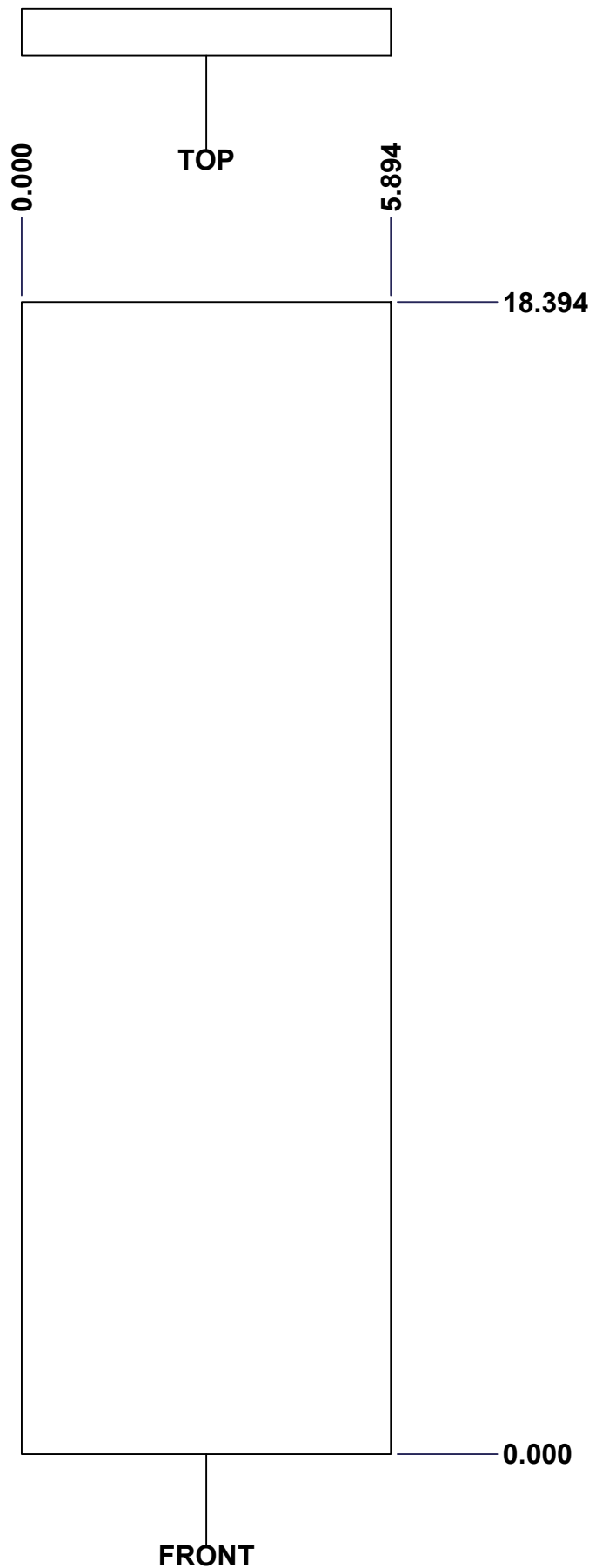
Isometric View

| | | |
|---|---------------------------|---------------------------|
| <p>Tél: (450) 979-4373 Fax: (450) 979-4626 www.exmweb.com</p> | | Flatness Aplatissement |
| | | Max 3.0mm |
| Projection | | |
| Customer Client | Date | |
| Drawn By Dessiné Par | BoxCad: Patrick Deschenes | Date 23-Jan-07 |
| Material Matière | Polyisocyanurate | |
| Color Couleur | Aluminum | Finish Fini N/A |
| Description | Detail Rev. | |
| 5412ESSW 20" x 20" Back Insulation | | |
| Part Number Numéro Pièce | Rev. | 11 |
| 5412ESSW2020066THI-B | 0 | 15 |

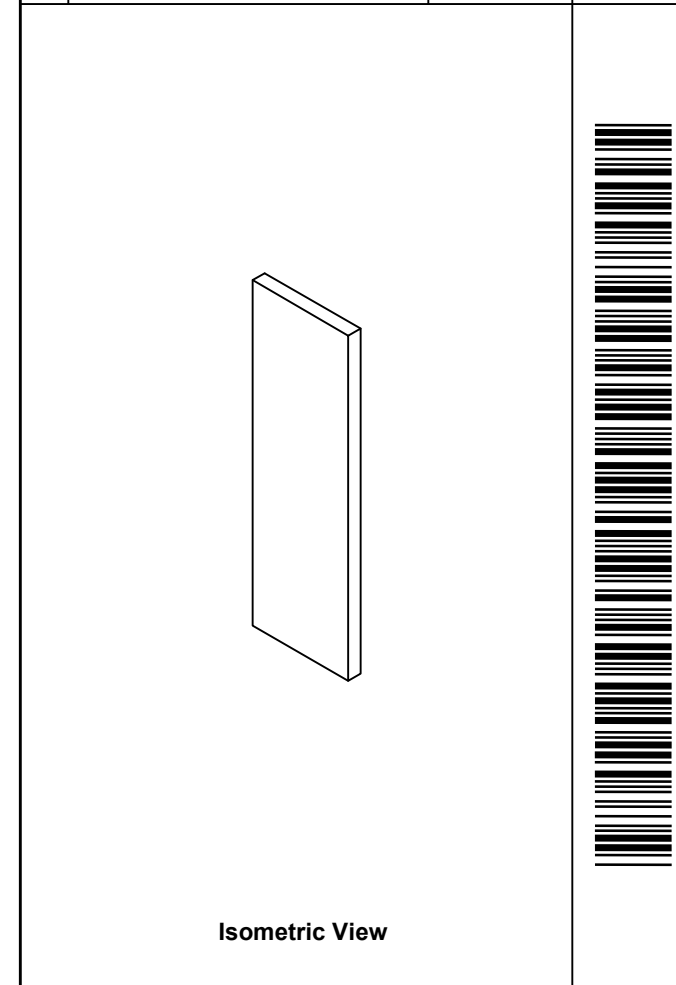
SEE BILL OF MATERIAL ON LAST PAGE

This drawing is confidential and must not be reproduced or used without the consent of EXM


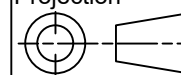
Ce dessin est confidentiel et ne doit pas être reproduit ou utilisé sans le consentement de EXM



| No. | Revisions | Date | By/Par |
|-----|-----------|------|--------|
| | | | |
| | | | |
| | | | |
| | | | |
| | | | |



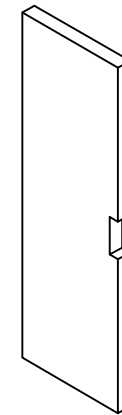
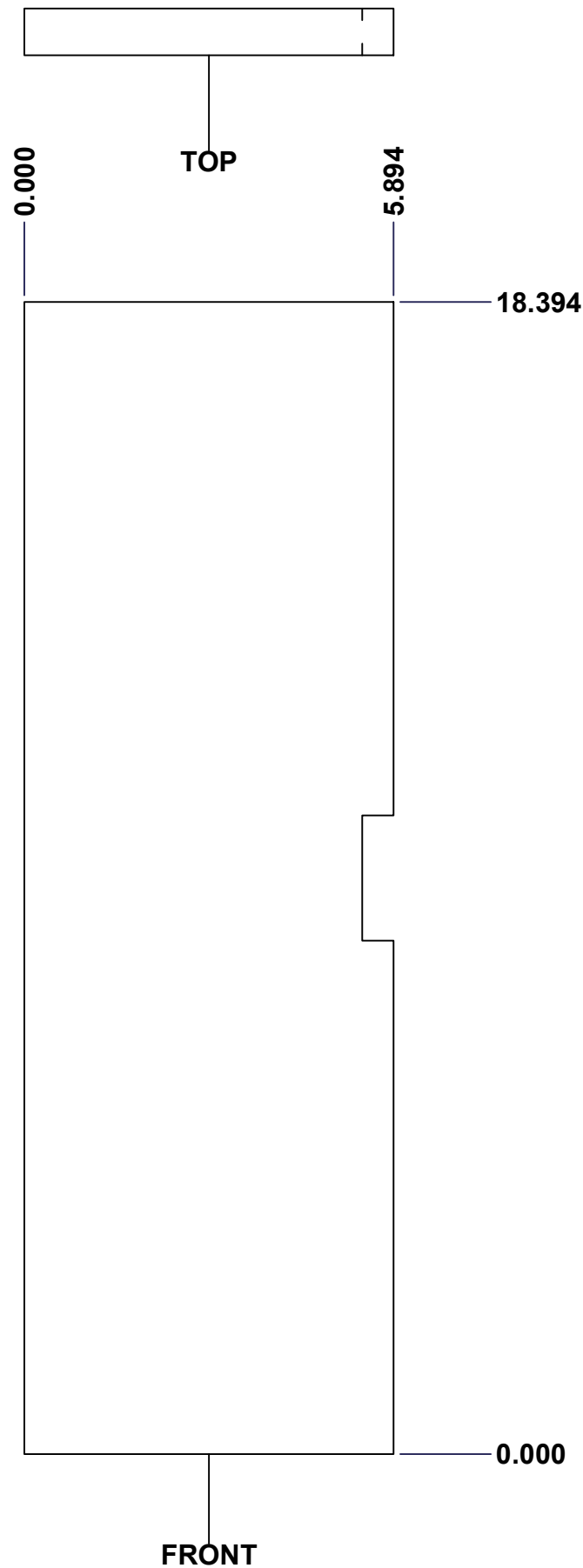
Isometric View

| | | |
|--|--------------------|--|
|  Tél: (450) 979-4373 Fax: (450) 979-4626 www.exmweb.com | | Flatness Aplatissement Max 3.0mm |
| Projection  | | Date 23-Jan-07 |
| Customer Client | Date | |
| Drawn By / Dessiné Par: BoxCad: Patrick Deschenes | Date: 23-Jan-07 | |
| Material / Matière: Polyisocyanurate | | |
| Color / Couleur: Aluminum | Finish / Fini: N/A | |
| Description: 5412ESSW 20" x 20" Left Insulation | | Detail Rev.: |
| Part Number / Numéro Pièce: 5412ESSW2020066TH-LS | Rev. 0 | 12 / 15 |

SEE BILL OF MATERIAL ON LAST PAGE

This drawing is confidential and must not be reproduced or used without the consent of EXM


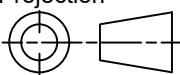
Ce dessin est confidentiel et ne doit pas être reproduit ou utilisé sans le consentement de EXM



Isometric View



| No. | Revisions | Date | By/Par |
|-----|-----------|------|--------|
| | | | |
| | | | |
| | | | |
| | | | |
| | | | |

| | | |
|--|-------------------------------------|--|
|  Tél: (450) 979-4373 Fax: (450) 979-4626 www.exmweb.com | | Flatness Aplatissement Max 3.0mm |
| Projection  | | Date |
| Customer Client | BoxCad: Patrick Deschenes | Date 23-Jan-07 |
| Material Matière | Polyisocyanurate | |
| Color Couleur | Aluminum | Finish Fini N/A |
| Description | 5412ESSW 20" x 20" Right Insulation | |
| Part Number Numéro Pièce | Rev. 0 | 13 / 15 |

SEE BILL OF MATERIAL ON LAST PAGE

This drawing is confidential and must not be reproduced or used without the consent of EXM

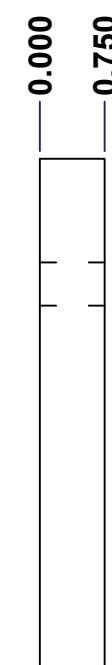
Ce dessin est confidentiel et ne doit pas être reproduit ou utilisé sans le consentement de EXM



TOP

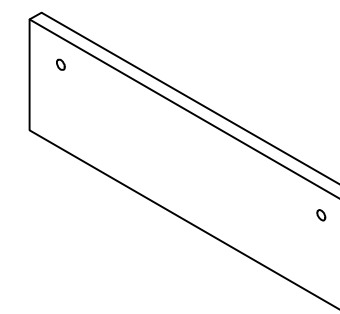


FRONT



RIGHT

| No. | Revisions | Date | By/Par |
|-----|-----------|------|--------|
| | | | |
| | | | |
| | | | |
| | | | |



Isometric View



Tél: (450) 979-4373
 Fax: (450) 979-4626
www.exmweb.com

Flatness
Aplatissement

Max 3.0mm

Projection



| | |
|---|--------------------|
| Customer Client | Date |
| Drawn By / Dessiné Par: BoxCad: Patrick Deschenes | Date: 23-Jan-07 |
| Material / Matière: Polyisocyanurate | |
| Color / Couleur: Aluminum | Finish / Fini: N/A |
| Description: 5412ESSW 20" x 20" Top and Bottom Insulation | Detail Rev. |
| Part Number / Numéro Pièce: 5412ESSW2020066THI-TP | Rev. 0 |

SEE BILL OF MATERIAL ON LAST PAGE

This drawing is confidential and must not be reproduced or used without the consent of EXM

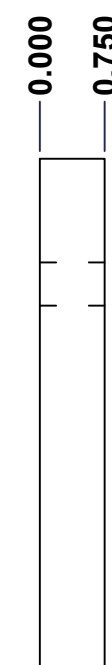
Ce dessin est confidentiel et ne doit pas être reproduit ou utilisé sans le consentement de EXM



TOP

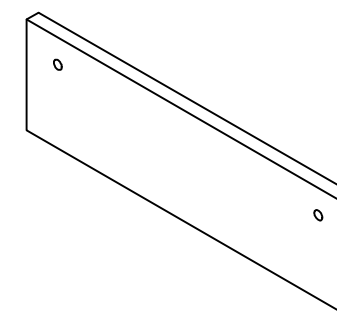


FRONT



RIGHT

| No. | Revisions | Date | By/Par |
|-----|-----------|------|--------|
| | | | |
| | | | |
| | | | |
| | | | |



Isometric View



Tél: (450) 979-4373
 Fax: (450) 979-4626
www.exmweb.com

Flatness
Aplatissement

Max 3.0mm

Projection



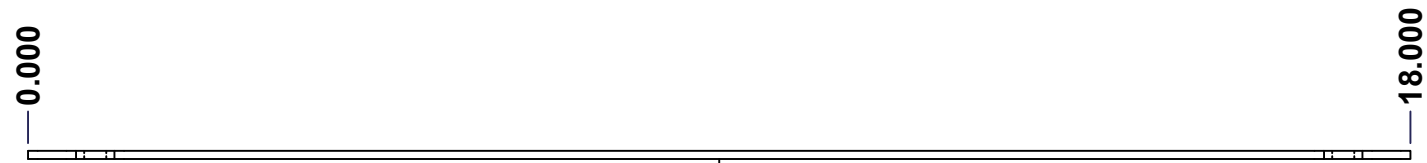
| | |
|---|--------------------|
| Customer Client | Date |
| Drawn By / Dessiné Par: BoxCad: Patrick Deschenes | Date: 23-Jan-07 |
| Material / Matière: Polyisocyanurate | |
| Color / Couleur: Aluminum | Finish / Fini: N/A |
| Description: 5412ESSW 20" x 20" Top and Bottom Insulation | Detail Rev. |
| Part Number / Numéro Pièce: 5412ESSW2020066THI-BT | Rev. 0 |

SEE BILL OF MATERIAL ON LAST PAGE

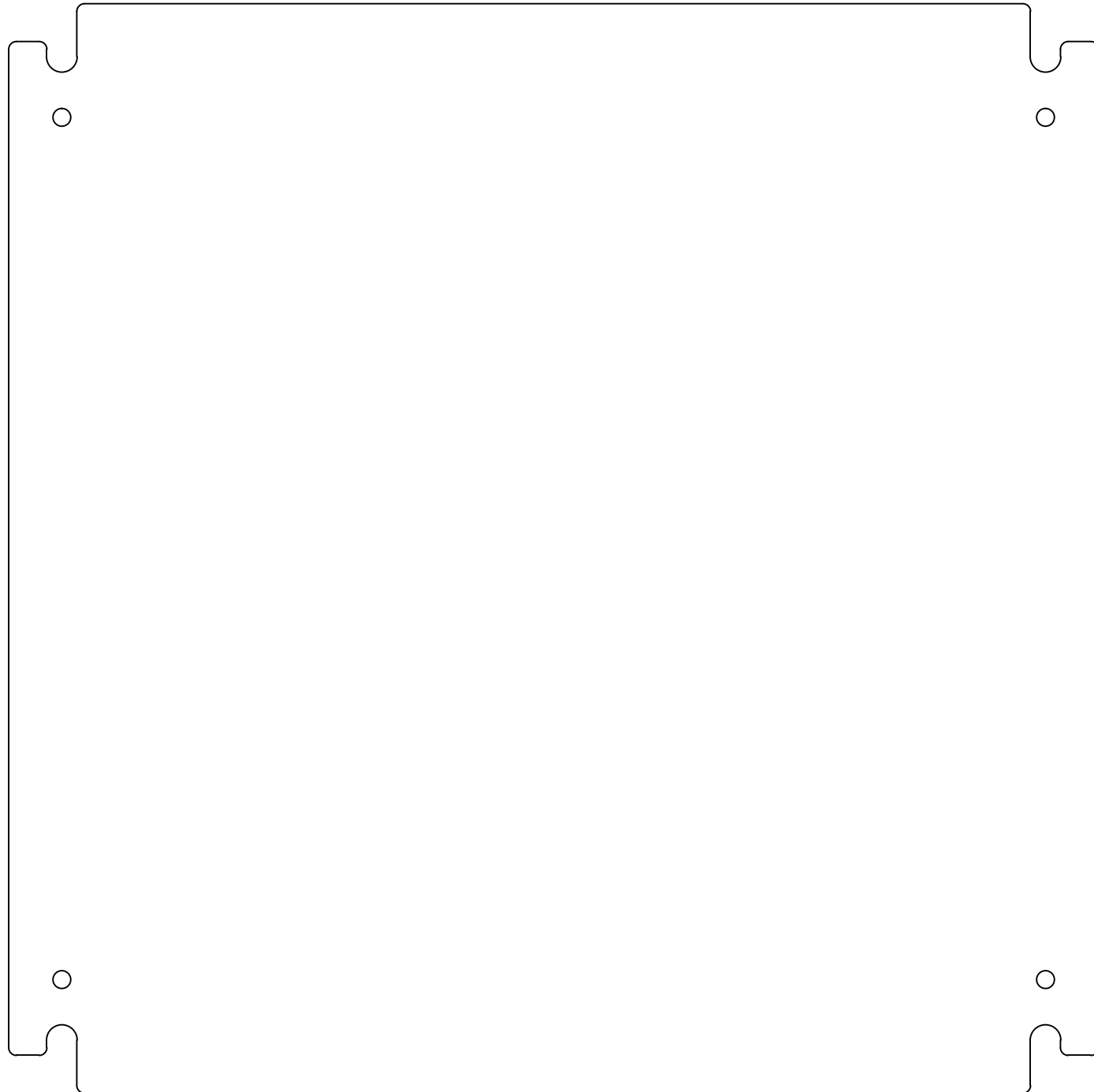
15 / 15

This drawing is confidential and must not be reproduced or used without the consent of EXM

Ce dessin est confidentiel et ne doit pas être reproduit ou utilisé sans le consentement de EXM



TOP



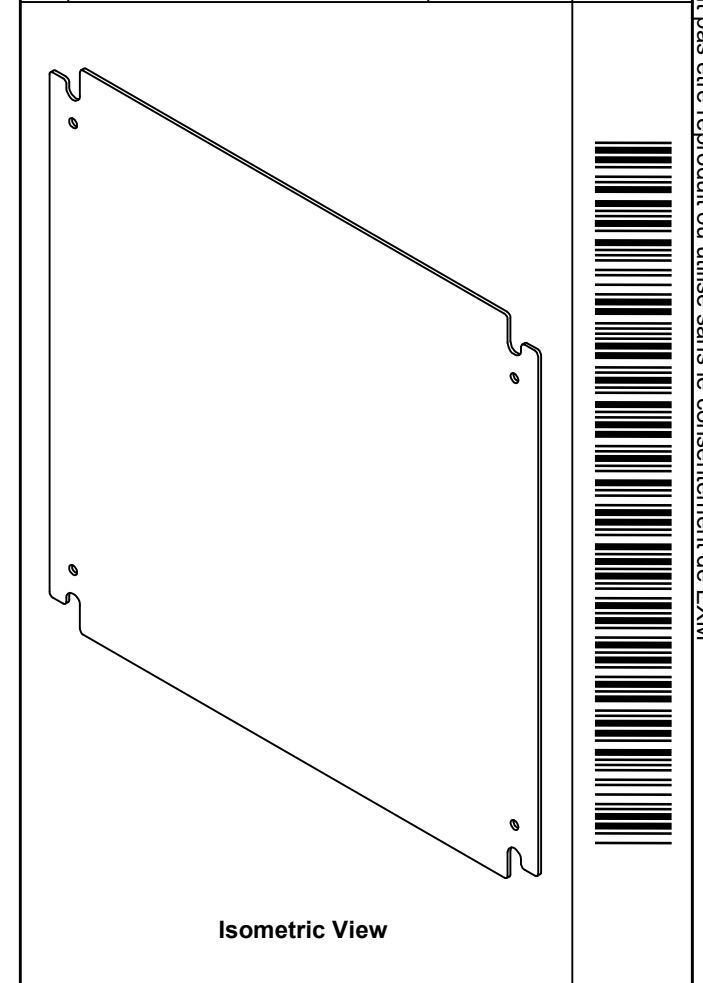
FRONT

18.000

0.000

RIGHT

| No. | Revisions | Date | By/Par |
|-----|-----------|------|--------|
| | | | |
| | | | |
| | | | |
| | | | |
| | | | |



EXM
www.exmweb.com

Tél: (450) 979-4373
Fax: (450) 979-4626

Flatness
Aplatissement
Max 3.0mm

Projection

| | |
|--------------------------------|----------------|
| Customer Client | Date |
| Drawn By Dessiné Par BoxCad | Date 23-Jan-07 |
| Material Matière | See Part List |
| Color Couleur | See Part List |
| Finish Fini | See Part List |

| | |
|-----------------------------|-------------|
| Description | Detail Rev. |
| 881 SP - Inner Panel | |
| Part Number Numéro Pièce | Rev. |
| 881 SP2020G | 0 |

| Qty | Part Number | Rev | Description | Material | Color | Finish |
|-----|---------------|-----|---------------------------|------------------|-----------|------------|
| 1 | 881 SP2020G-P | 0 | 881 SP - Inner Panel Part | 12 Ga Galvanized | Unpainted | Galvanized |

Parts List

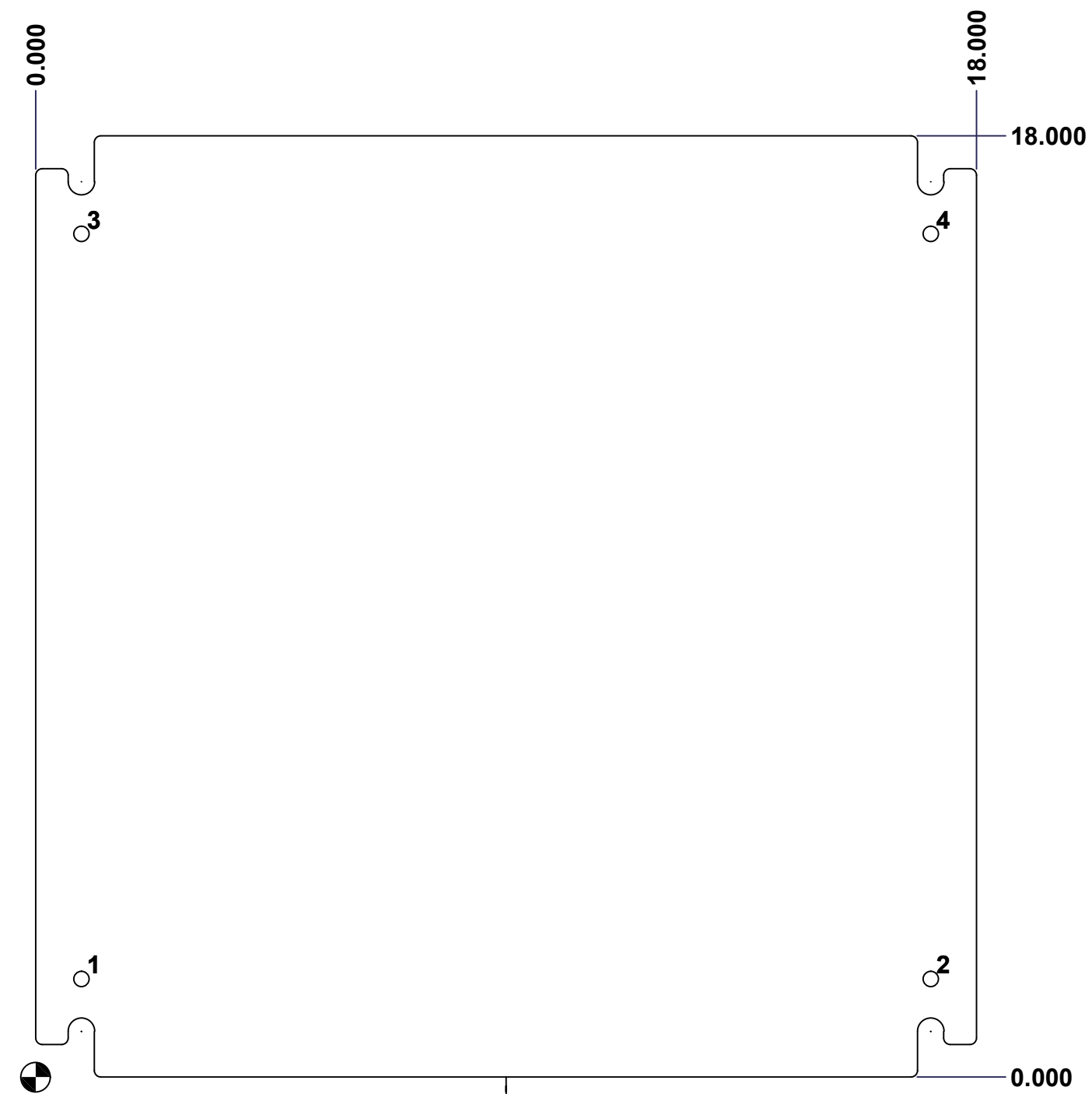
This drawing is confidential and must not be reproduced or used without the consent of EXM

Ce dessin est confidentiel et ne doit pas être reproduit ou utilisé sans le consentement de EXM

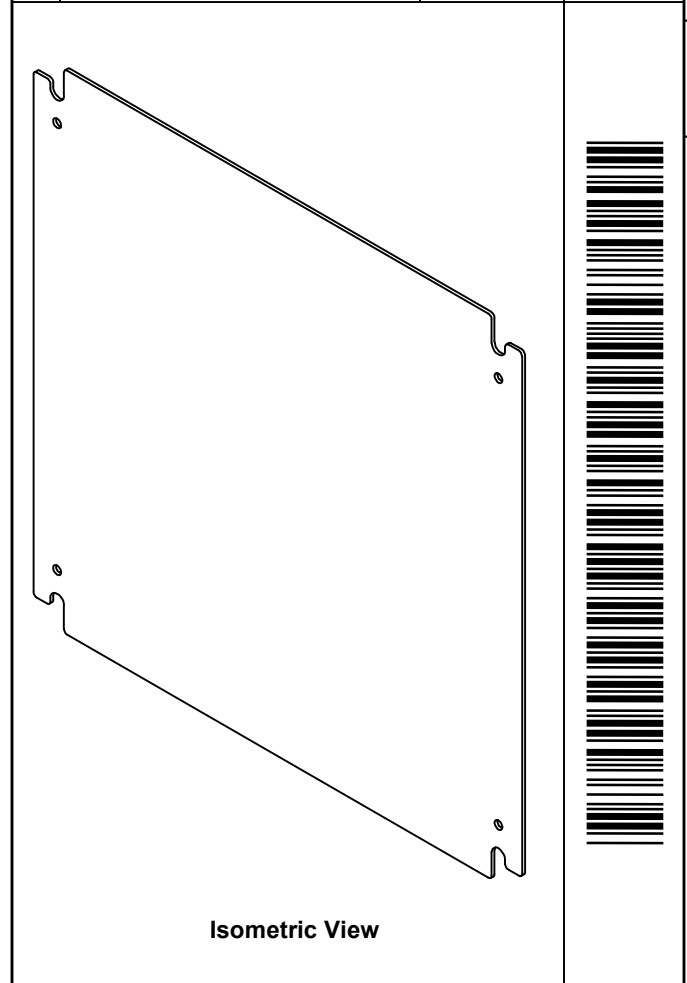
| Table 1 | | | FRONT VIEW |
|---------|--------|--------|--------------------------|
| CUT-OUT | XDIM | YDIM | DESCRIPTION |
| 1 | 0.875 | 1.875 | GROUND HOLE (RND Ø0.290) |
| 2 | 17.125 | 1.875 | GROUND HOLE (RND Ø0.290) |
| 3 | 0.875 | 16.125 | GROUND HOLE (RND Ø0.290) |
| 4 | 17.125 | 16.125 | GROUND HOLE (RND Ø0.290) |

All knockouts are actual size / Les disques défonçables sont grandeur réel


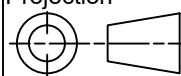
| No. | Revisions | Date | By/Par |
|-----|-----------|------|--------|
| | | | |
| | | | |
| | | | |
| | | | |
| | | | |
| | | | |



FRONT



Isometric View

| | | |
|--|---------------|--|
|  Tél: (450) 979-4373 Fax: (450) 979-4626 www.exmweb.com | | Flatness Aplatissement Max 3.0mm |
| Projection  | | Date 23-Jan-07 |
| Customer Client | Date | |
| Drawn By Dessiné Par | BoxCad | Date 23-Jan-07 |
| Material Matière | See Part List | |
| Color Couleur | See Part List | Finish Fini See Part List |
| Description 881 SP - Inner Panel | | Detail Rev. |
| Part Number Numéro Pièce | 881 SP2020G | Rev. 2 0 |