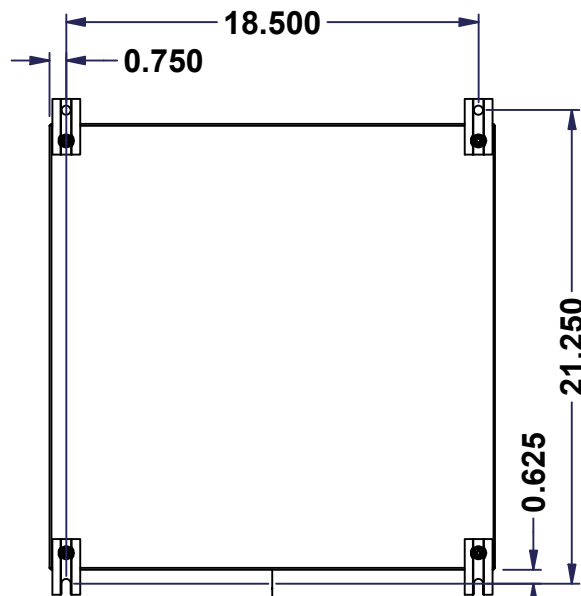


This drawing is confidential and must not be reproduced or used without the consent of EXM

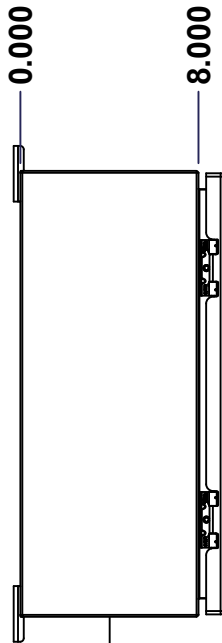
Ce dessin est confidentiel et ne doit pas être reproduit ou utilisé sans le consentement de EXM



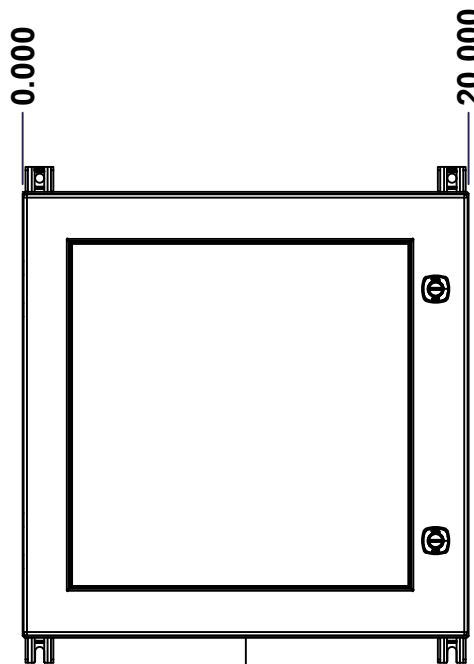
TOP



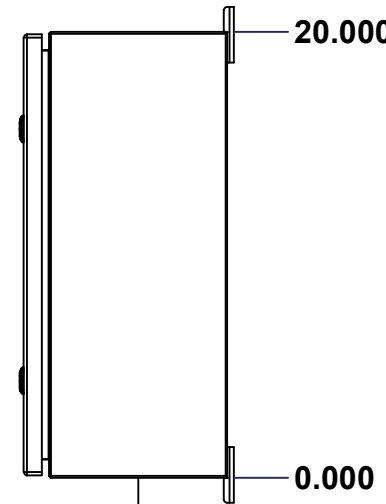
BACK



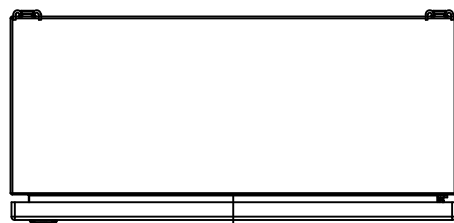
LEFT



FRONT

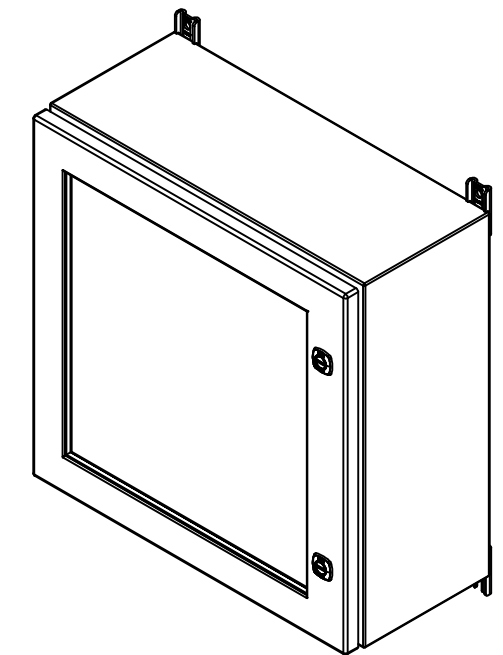


RIGHT



BOTTOM

| No. | Revisions | Date | By/Par |
|-----|-----------|------|--------|
|     |           |      |        |
|     |           |      |        |
|     |           |      |        |
|     |           |      |        |



Isometric View



**GRAIN DIRECTION:  
TOP/BOTTOM: HORIZONTAL  
LEFT/RIGHT/BACK/FRONT: VERTICAL**

SEE BILL OF MATERIAL ON LAST PAGE

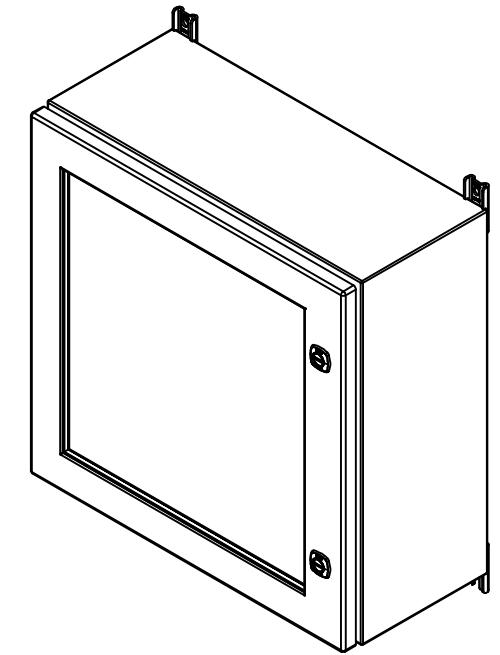
|  |  |
|--|--|
|  | Flatness<br>Aplatissement<br>Max 3.0mm |
|  | Projection<br>                         |
| Customer Client                                    | Date                                   |
| Drawn By<br>Dessiné Par BoxCad: BoxCad             | Date 20-Jun-23                         |
| Material Matière 16 Ga Stainless Steel 304 (1.4mm) |  |
| Color Couleur Unpainted                            | Finish Fini Brushed                    |
| Description<br>5412ESSW 20" x 20" x 8" Assembly    |  |
| Part Number<br>Numéro Pièce 5412ESSW202008TH       | Detail Rev.<br>Rev. 1<br>0             |

This drawing is confidential and must not be reproduced or used without the consent of EXM

Ce dessin est confidentiel et ne doit pas être reproduit ou utilisé sans le consentement de EXM

| NOTE |   |
|------|---|
| ITEM | DESCRIPTION                                     |
| 1    | NEMA 4X Enclosure                               |
| 2    | C/W Standard ground studs on box and cover      |
| 3    | W/O Standard door stiffener                     |
| 4    | C/W Standard inner panel (Included)             |
| 5    | C/W Standard inner panel mounting studs         |
| 6    | C/W 885 ESMF4_OPEN Sold separately (Installed)  |
| 7    | C/W 885 ESMF4_CLOSE Sold separately (Installed) |
| 8    | C/W R5 Insulation (Installed by EXM)            |

| No. | Revisions | Date | By/Par |
|-----|-----------|------|--------|
|     |           |      |        |
|     |           |      |        |
|     |           |      |        |
|     |           |      |        |
|     |           |      |        |
|     |           |      |        |



Isometric View




 Tél: (450) 979-4373  
 Fax: (450) 979-4626  
[www.exmweb.com](http://www.exmweb.com)

Flatness  
 Aplatissement  
 Max 3.0mm  
 Projection  


|  |                 |
|--|-----------------|
| Customer Client                        | Date            |
| Drawn By / Dessiné Par: BoxCad: BoxCad | Date: 20-Jun-23 |

Material / Matière: 16 Ga Stainless Steel 304 (1.4mm)

|                            |                        |
|----------------------------|------------------------|
| Color / Couleur: Unpainted | Finish / Fini: Brushed |
|----------------------------|------------------------|

Description: 5412ESSW 20" x 20" x 8" Assembly

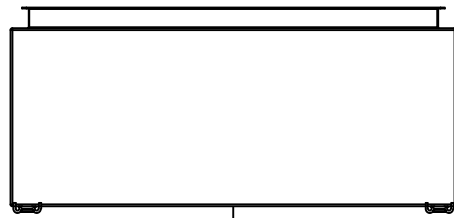
|   |        |   |    |
|---|--------|---|----|
| Part Number / Numéro Pièce: <b>5412ESSW202008TH</b> | Rev. 0 | 2 | 15 |
|---|--------|---|----|

| PACKING               |     |  |
|-----------------------|-----|--|
| ITEM                  | QTY | DESCRIPTION                                |
| Cardboard sleeve      | 2   | Top and Bottom                             |
| Cardboard strip       | 2   | Between back of enclosure and inner panel  |
| Plastic bag           | 1   | To protect cover surface and inside gasket |
| Plastic strap - Black | 2   | To Squeeze the 2 cardboard sleeve together |
| Packaging label       | 1   | White label with product number            |

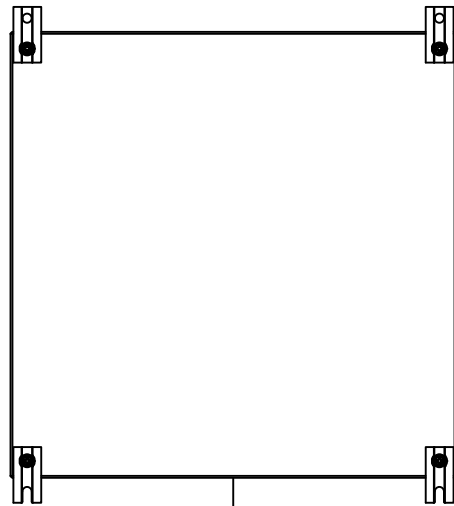
| Qty        | Part Number       | Rev | Description  |
|------------|-------------------|-----|--|
| 4          | STK-Q-00600       | 2   | M12 to M8 Adaptor  |
| 1          | 881 SP2020G       | 0   | 881 SP - Inner Panel   |
| 1          | STK-K-01800       | 5   | 5412 ES Accessory Kit  |
| 1          | 5412ESSW202008THC | 0   | 5412ESSW 20" x 20" Cover   |
| 1          | 5412ESSW202008THB | 0   | 5412ESSW 20" x 20" x 8" Body   |
| 2          | STK-Q-04051-08    | 1   | M6 x 8mm Stainless Steel Hexagon Socket Head Machine Screw with Nyseal |
| Parts List |                   |     |  |

This drawing is confidential and must not be reproduced or used without the consent of EXM

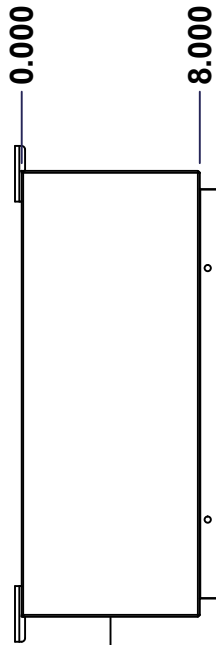
Ce dessin est confidentiel et ne doit pas être reproduit ou utilisé sans le consentement de EXM



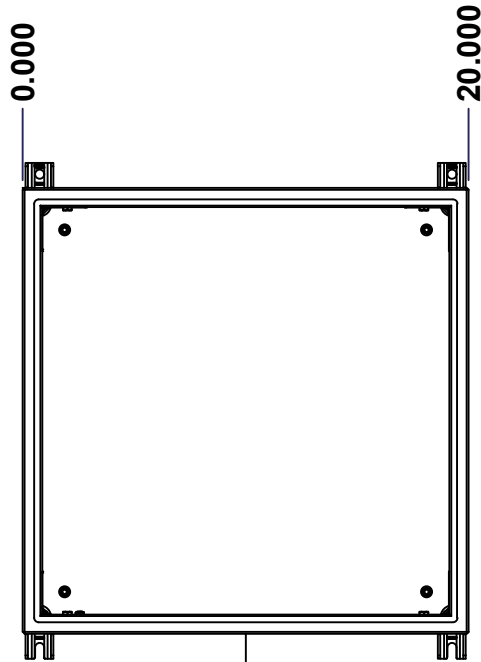
TOP



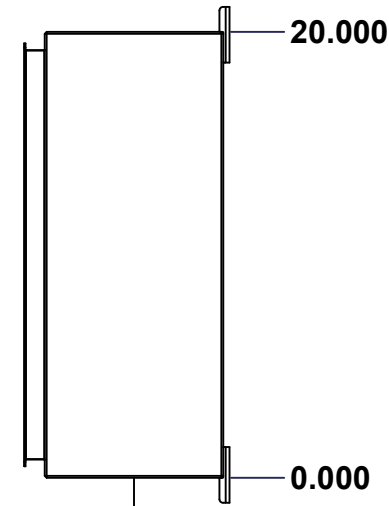
BACK



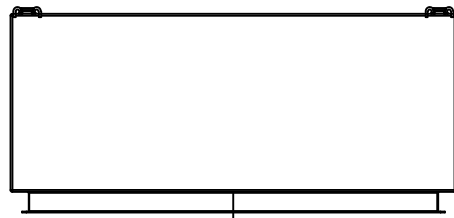
LEFT



FRONT

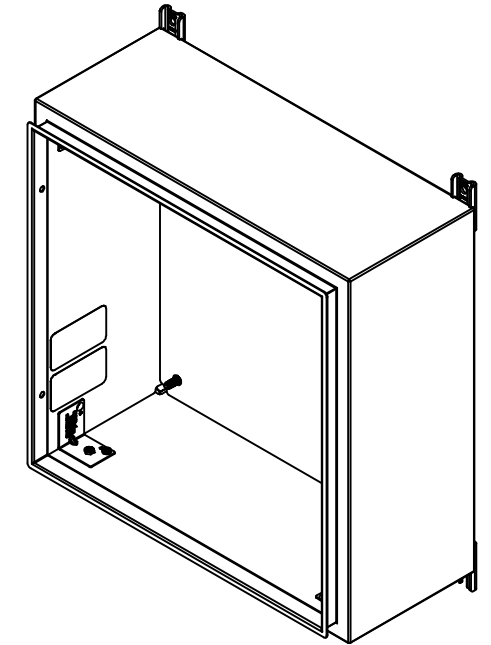


RIGHT



BOTTOM

| No. | Revisions | Date | By/Par |
|-----|-----------|------|--------|
|     |           |      |        |
|     |           |      |        |
|     |           |      |        |
|     |           |      |        |



Isometric View



Tél: (450) 979-4373  
 Fax: (450) 979-4626  
[www.exmweb.com](http://www.exmweb.com)

Flatness  
Aplatissement

Max 3.0mm

Projection



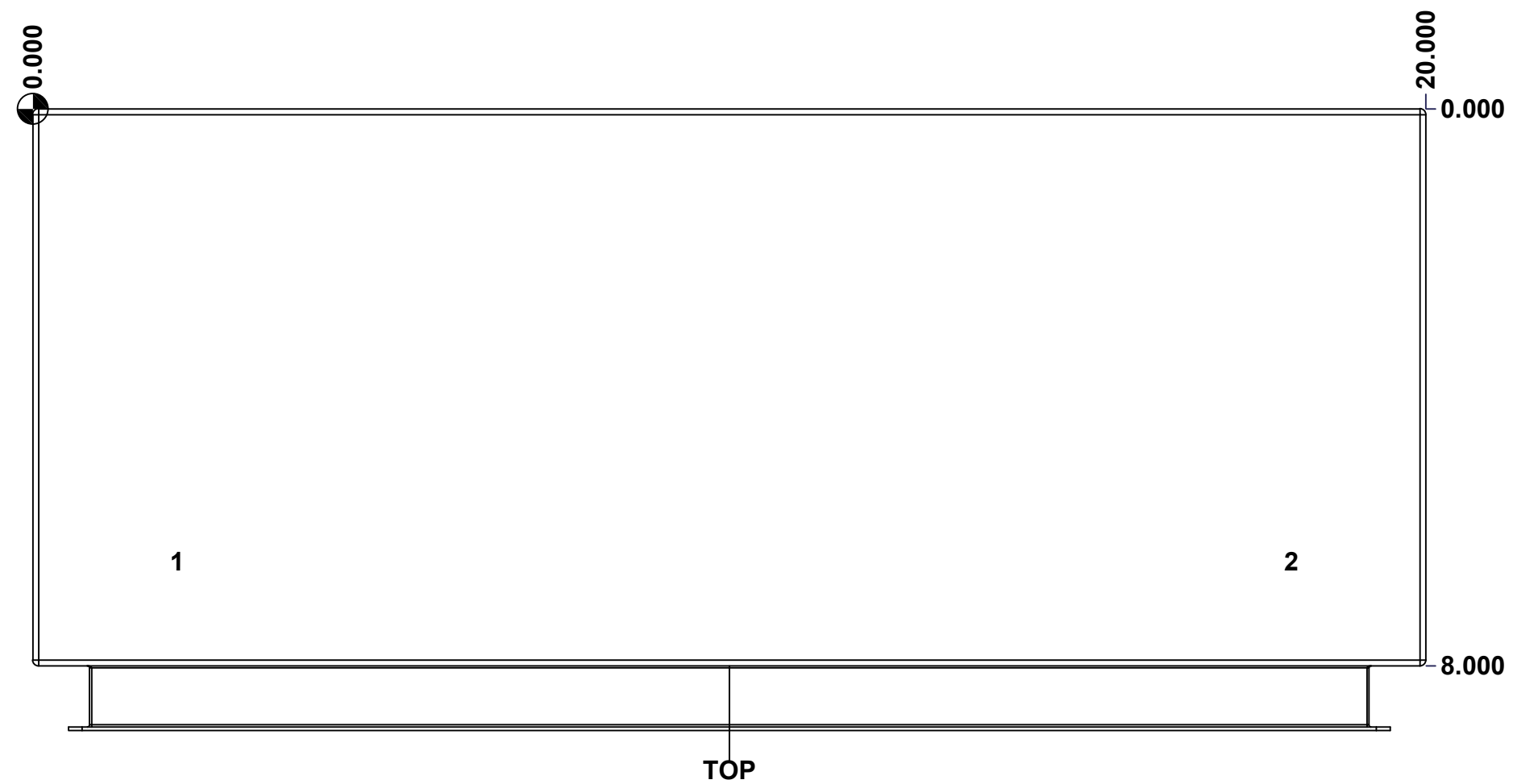
|   |                        |
|---|------------------------|
| Customer Client                                       | Date                   |
| Drawn By<br>Dessiné Par BoxCad: BoxCad                | Date 20-Jun-23         |
| Material<br>Matière 16 Ga Stainless Steel 304 (1.4mm) |                        |
| Color<br>Couleur Unpainted                            | Finish<br>Fini Brushed |
| Description<br>5412ESSW 20" x 20" x 8" Body           | Detail Rev.            |
| Part Number<br>Numéro Pièce 5412ESSW202008THB         | Rev. 3                 |
|   | 0                      |

SEE BILL OF MATERIAL ON LAST PAGE

This drawing is confidential and must not be reproduced or used without the consent of EXM

Ce dessin est confidentiel et ne doit pas être reproduit ou utilisé sans le consentement de EXM

| <b>STANDARD FEATURES ARE NOT LISTED IN THIS HOLE TABLE</b> |        |       |                                |
|--|--------|-------|--------------------------------|
| <b>HOLE TABLE - TOP VIEW (CUSTOM FEATURE ONLY)</b>         |        |       |                                |
| CUT-OUT  | XDIM   | YDIM  | DESCRIPTION                    |
| 1  | 2.000  | 6.500 | INSUL. STUD M6 x 18mm (Inside) |
| 2  | 18.000 | 6.500 | INSUL. STUD M6 x 18mm (Inside) |

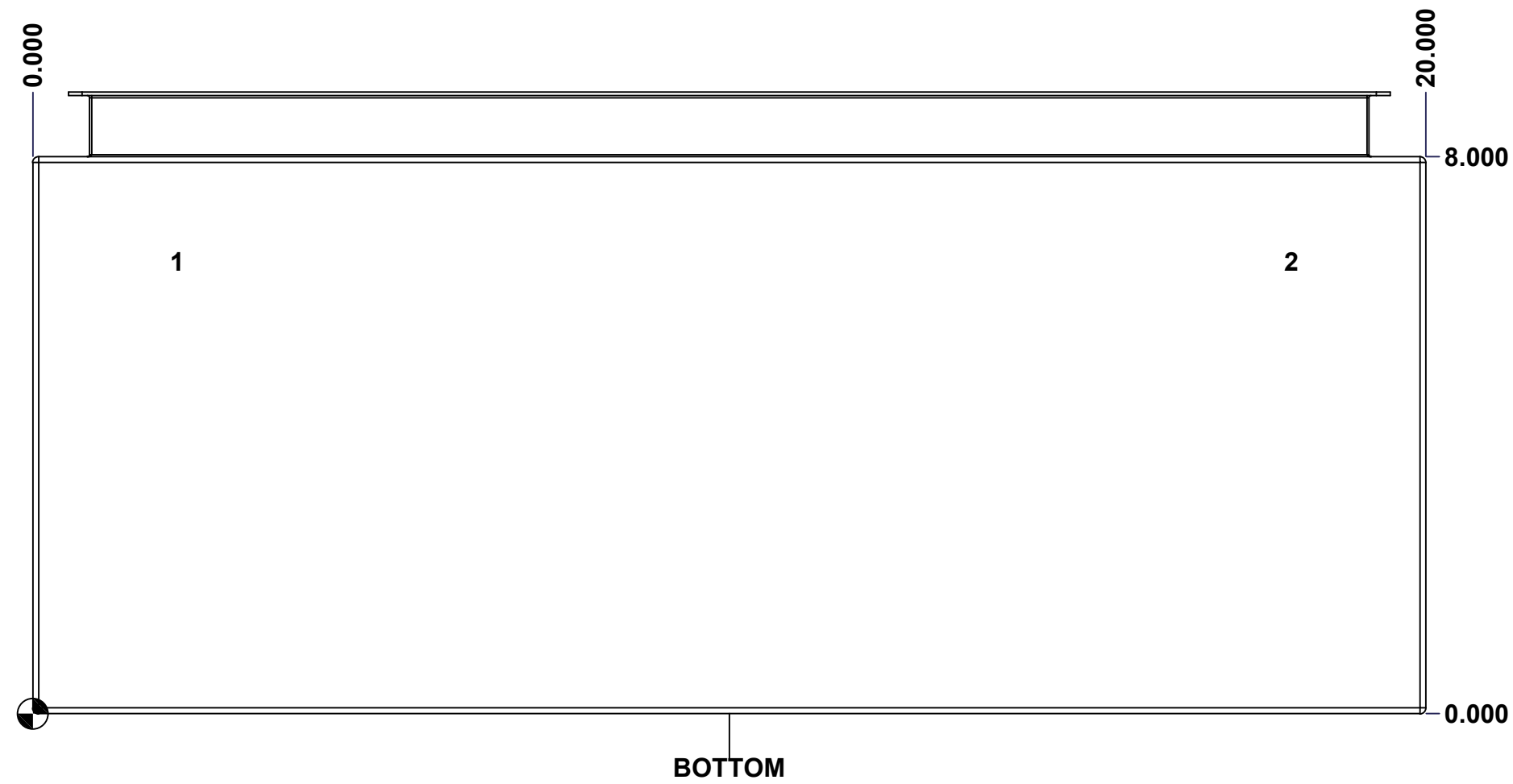


|  |                              |          |         |
|--|------------------------------|----------|---------|
|  | Description                  | Status   |         |
|  | 5412ESSW 20" x 20" x 8" Body | (NULL)   |         |
|  | Part Number<br>Numéro Pièce  | Rev.     |         |
|  | <b>5412ESSW202008THB</b>     | <b>0</b> | 4<br>15 |

This drawing is confidential and must not be reproduced or used without the consent of EXM

Ce dessin est confidentiel et ne doit pas être reproduit ou utilisé sans le consentement de EXM

| <b>STANDARD FEATURES ARE NOT LISTED IN THIS HOLE TABLE</b> |        |       |                                |
|--|--------|-------|--------------------------------|
| <b>HOLE TABLE - BOTTOM VIEW (CUSTOM FEATURE ONLY)</b>      |        |       |                                |
| CUT-OUT  | XDIM   | YDIM  | DESCRIPTION                    |
| 1  | 2.000  | 6.500 | INSUL. STUD M6 x 18mm (Inside) |
| 2  | 18.000 | 6.500 | INSUL. STUD M6 x 18mm (Inside) |



|  |                              |          |
|--|------------------------------|----------|
|  | Description                  | Status   |
|  | 5412ESSW 20" x 20" x 8" Body | (NULL)   |
|  | Part Number<br>Numéro Pièce  | Rev.     |
|  | <b>5412ESSW202008THB</b>     | <b>0</b> |
|  |                              | 5        |
|  |                              | 15       |

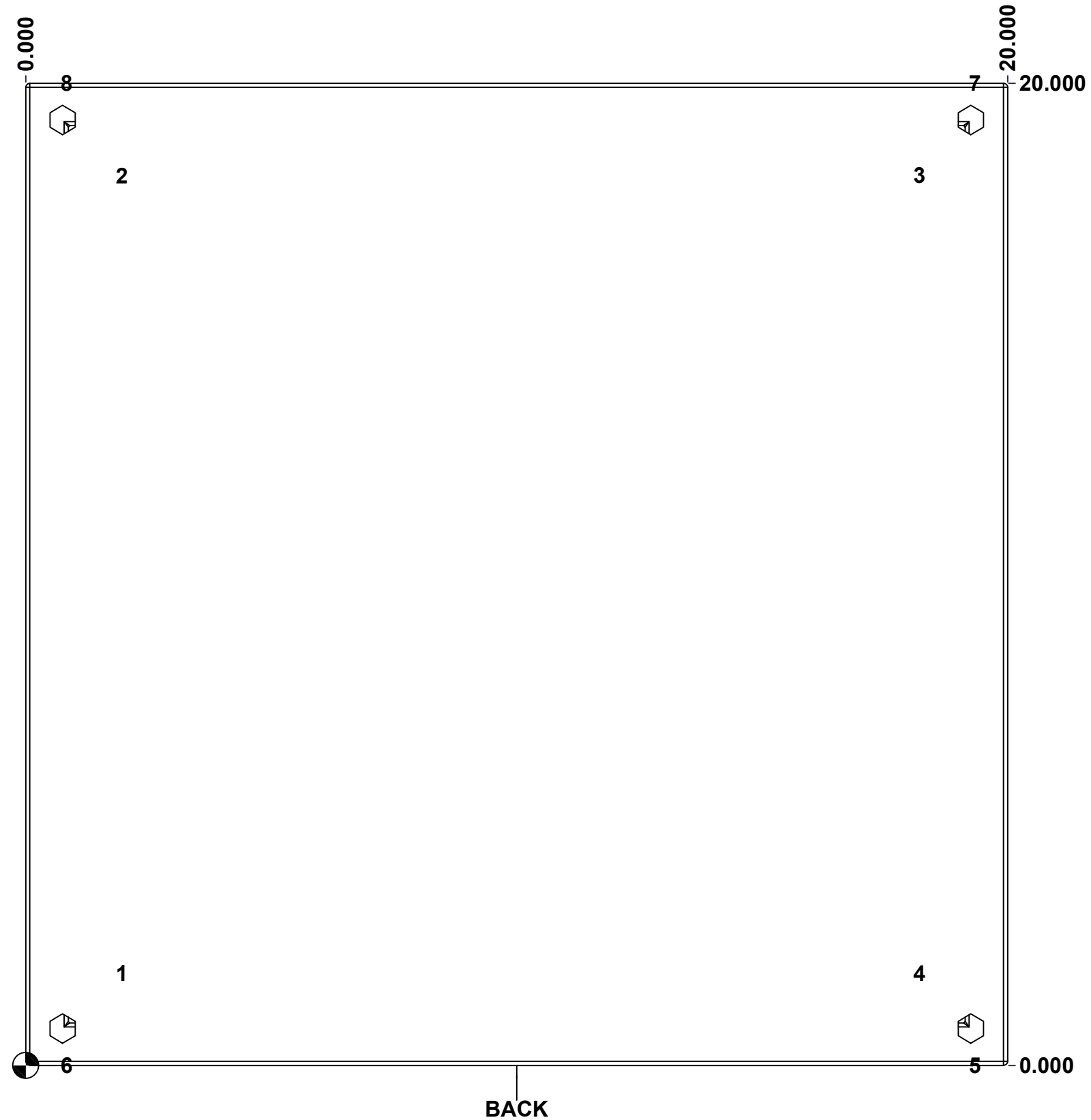
This drawing is confidential and must not be reproduced or used without the consent of EXM

Ce dessin est confidentiel et ne doit pas être reproduit ou utilisé sans le consentement de EXM

**STANDARD FEATURES ARE NOT LISTED IN THIS HOLE TABLE**

**HOLE TABLE - BACK VIEW (CUSTOM FEATURE ONLY)**

| CUT-OUT | XDIM   | YDIM   | DESCRIPTION                |
|---------|--------|--------|----------------------------|
| 1       | 1.875  | 1.875  | IP STUD M8 x 35mm (Inside) |
| 2       | 1.875  | 18.125 | IP STUD M8 x 35mm (Inside) |
| 3       | 18.125 | 18.125 | IP STUD M8 x 35mm (Inside) |
| 4       | 18.125 | 1.875  | IP STUD M8 x 35mm (Inside) |
| -----   |        |        |                            |
| 5       | 19.250 | 0.000  | FOOT 885 ESMF4_OPEN        |
| 6       | 0.750  | 0.000  | FOOT 885 ESMF4_OPEN        |
| 7       | 19.250 | 20.000 | FOOT 885 ESMF4_CLOSE       |
| 8       | 0.750  | 20.000 | FOOT 885 ESMF4_CLOSE       |

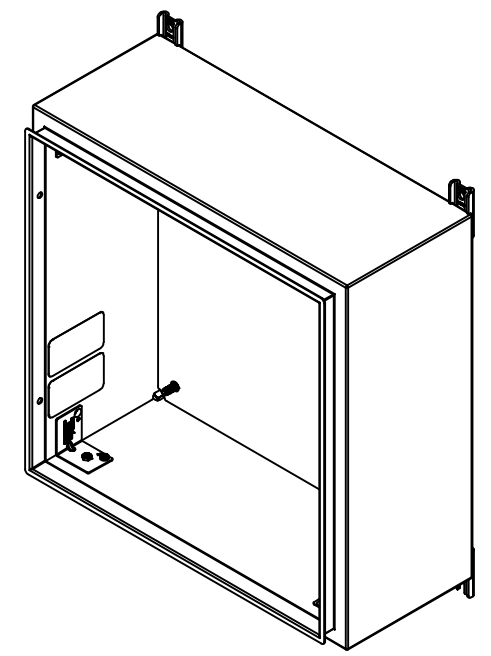


|  |                              |              |
|--|------------------------------|--------------|
|  | Description                  | Status       |
|  | 5412ESSW 20" x 20" x 8" Body | (NULL)       |
|  | Part Number<br>Numéro Pièce  | Rev.         |
|  | <b>5412ESSW202008THB</b>     | <b>0</b> / 6 |
|  |                              | 15           |

This drawing is confidential and must not be reproduced or used without the consent of EXM

Ce dessin est confidentiel et ne doit pas être reproduit ou utilisé sans le consentement de EXM

| No. | Revisions | Date | By/Par |
|-----|-----------|------|--------|
|     |           |      |        |
|     |           |      |        |
|     |           |      |        |
|     |           |      |        |
|     |           |      |        |



Isometric View



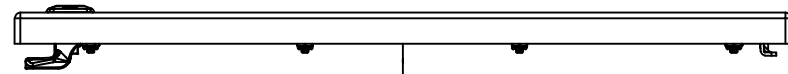
|   |                        |   |   |
|---|------------------------|---|---|
| 2 | 885ESMF4-FEET          | 0 | 885 ESMF4 Stainless Steel Mounting Foot               |
| 4 | RIVET_NUT_SS_M10_FH_CE | 0 | Stainless Steel Rivet Nut M10 (Low Profile Close End) |
| 4 | STK-Q-06670            | 2 | M10 x 16mm Stainless Steel Machine Screw              |
| 2 | 885ESMF4-FEET-A        | 0 | 885 ESMF4 Stainless Steel Mounting Foot (Opened Slot) |
| 2 | STK-S-00100            | 0 | 3.5" x 2" Silver Milar Flexcon Sticker                |
| 1 | STK-K-70554            | 3 | 5412 ESTH Accessory Kit                               |
| 1 | 5412ESSW202008THI-RS   | 0 | 5412ESSW 20" x 20" Right Insulation                   |
| 1 | 5412ESSW202008THI-LS   | 0 | 5412ESSW 20" x 20" Left Insulation                    |
| 1 | 5412ESSW202008THI-BT   | 0 | 5412ESSW 20" x 20" Top and Bottom Insulation          |
| 1 | 5412ESSW202008THI-TP   | 0 | 5412ESSW 20" x 20" Top and Bottom Insulation          |
| 1 | 5412ESSW202008THI-B    | 0 | 5412ESSW 20" x 20" Back Insulation                    |
| 4 | STK-Q-16070            | 1 | Stud M6 x 18mm Stainless steel                        |
| 4 | STK-Q-16020            | 1 | Stud M8 x 35mm Stainless Steel                        |
| 1 | 5412ESSW202008THB-P    | 0 | 5412ESSW 20" x 20" x 8" Body Part                     |

| Qty        | Part Number | Rev | Description |
|------------|-------------|-----|-------------|
| Parts List |             |     |             |

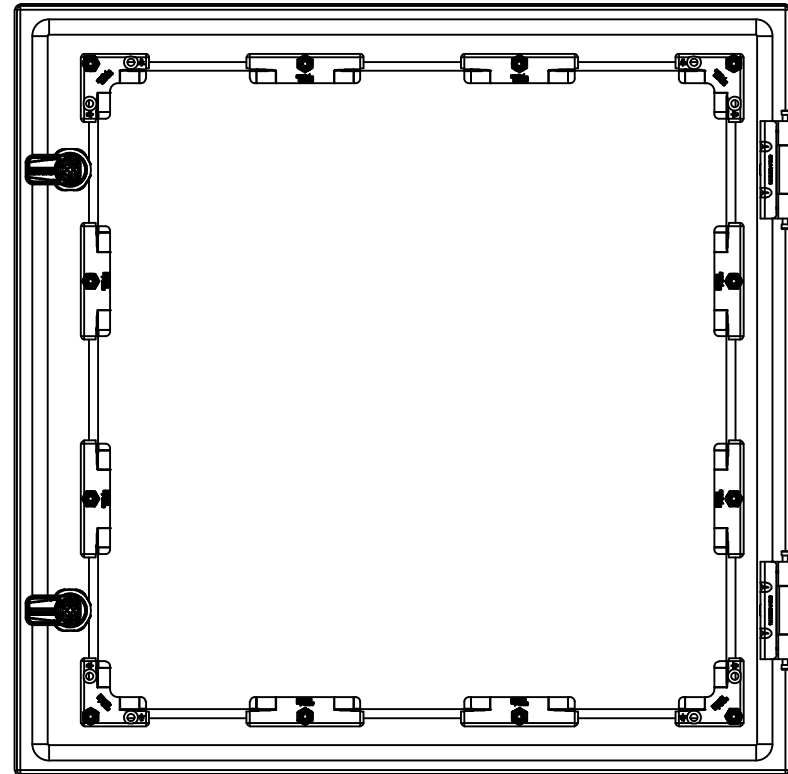
|   |  |  |
|---|--|--|
|   | Tél: (450) 979-4373<br>Fax: (450) 979-4626<br><a href="http://www.exmweb.com">www.exmweb.com</a> | Flatness<br>Aplatissement<br>Max 3.0mm |
|   | Projection<br>   | Customer<br>Client                     |
| Drawn By<br>Dessiné Par                                 | BoxCad: BoxCad   | Date<br>20-Jun-23                      |
| Material<br>Matière                                     | 16 Ga Stainless Steel 304 (1.4mm)  |  |
| Color<br>Couleur  | Unpainted  | Finish<br>Fini<br>Brushed              |
| Description<br>5412ESSW 20" x 20" x 8" Body             | Detail Rev.  | Rev. 7                                 |
| Part Number<br>Numéro Pièce<br><b>5412ESSW202008THB</b> | Rev. 0   | 15                                     |

This drawing is confidential and must not be reproduced or used without the consent of EXM

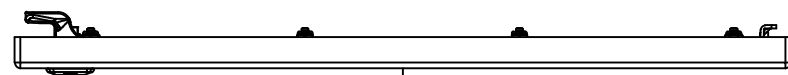
Ce dessin est confidentiel et ne doit pas être reproduit ou utilisé sans le consentement de EXM



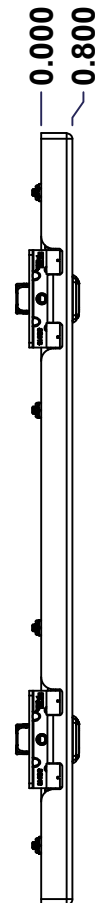
TOP



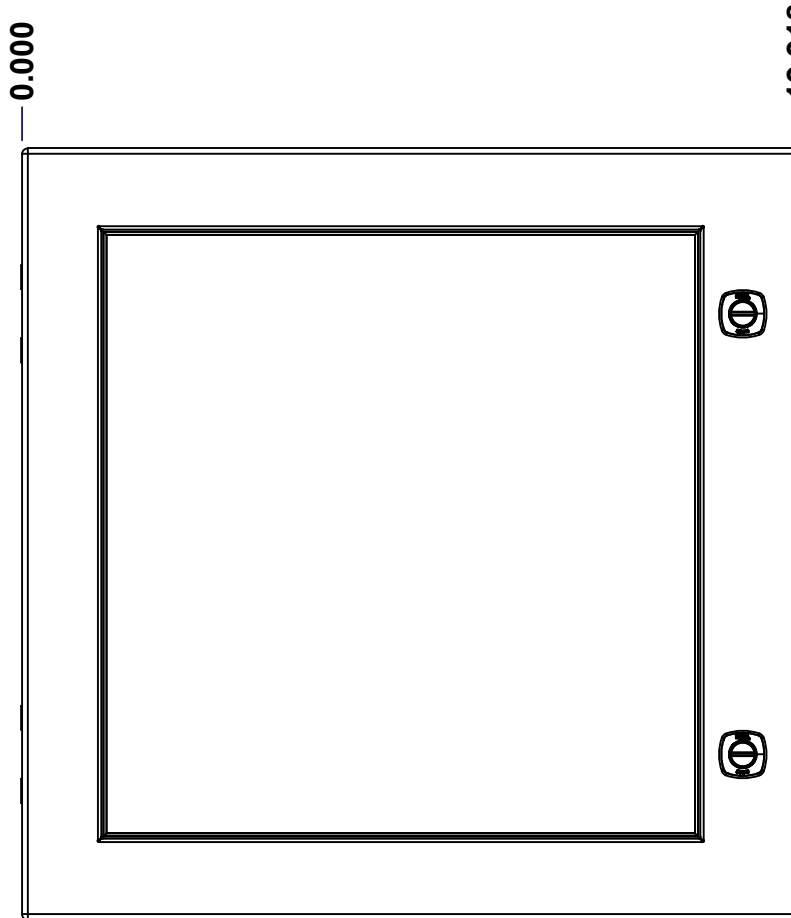
BACK



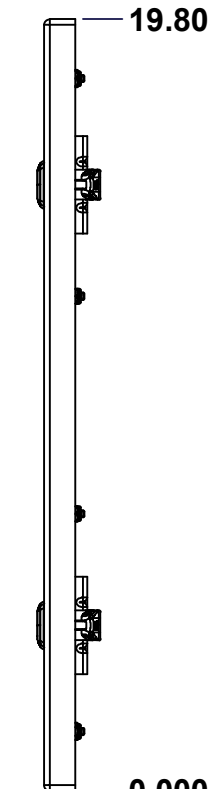
BOTTOM



LEFT

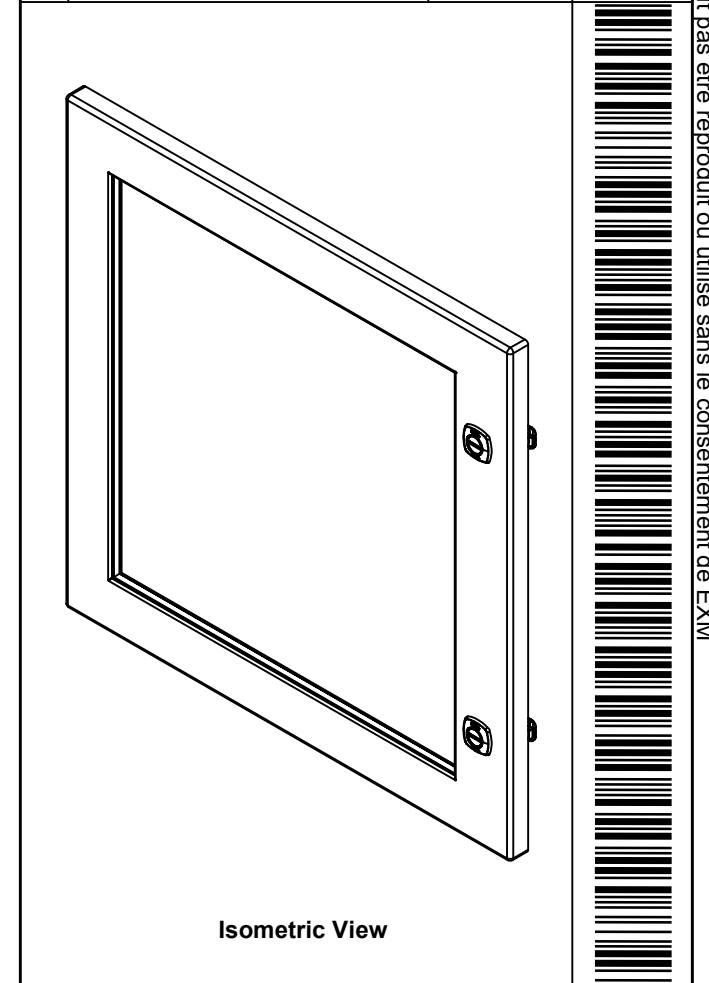


FRONT


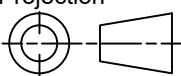


RIGHT

| No. | Revisions | Date | By/Par |
|-----|-----------|------|--------|
|     |           |      |        |
|     |           |      |        |
|     |           |      |        |
|     |           |      |        |



Isometric View

|  |                                   |   |
|--|-----------------------------------|---|
|  Tél: (450) 979-4373<br>Fax: (450) 979-4626<br><a href="http://www.exmweb.com">www.exmweb.com</a> |                                   | Flatness<br>Aplatissement<br>Max 3.0mm<br>Projection<br> |
| Customer Client  | Date                              |   |
| Drawn By<br>Dessiné Par  | BoxCad: BoxCad                    | Date 20-Jun-23  |
| Material<br>Matière  | 16 Ga Stainless Steel 304 (1.4mm) |   |
| Color<br>Couleur   | Unpainted                         | Finish<br>Fini Brushed  |
| Description<br>5412ESSW 20" x 20" Cover  |                                   | Detail Rev.   |
| Part Number<br>Numéro Pièce  | Rev. 0                            | 8<br>15   |

SEE BILL OF MATERIAL ON LAST PAGE

**5412ESSW202008THC**



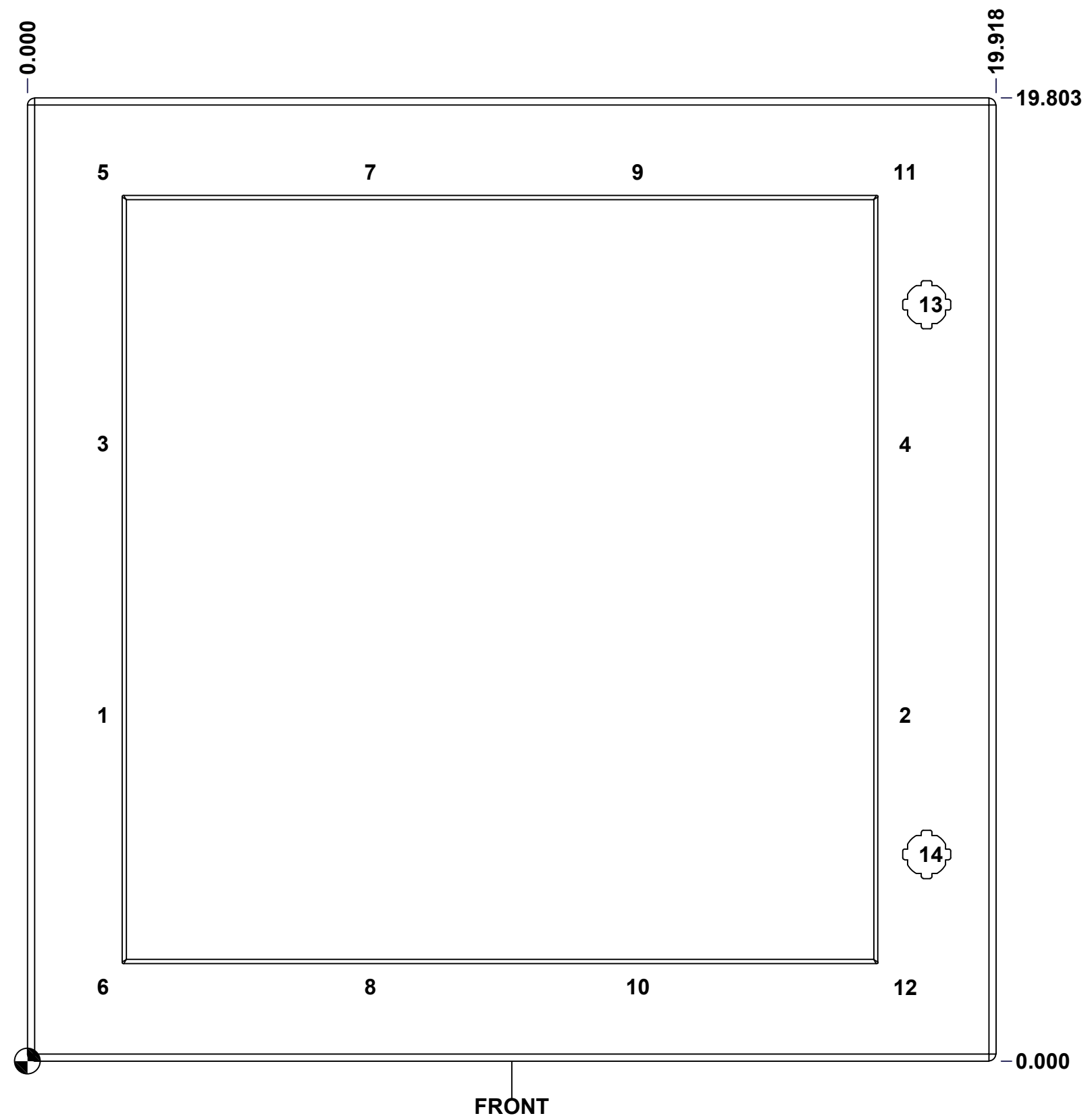
This drawing is confidential and must not be reproduced or used without the consent of EXM

Ce dessin est confidentiel et ne doit pas être reproduit ou utilisé sans le consentement de EXM

**STANDARD FEATURES ARE NOT LISTED IN THIS HOLE TABLE**

**HOLE TABLE - FRONT VIEW (CUSTOM FEATURE ONLY)**

| CUT-OUT | XDIM   | YDIM   | DESCRIPTION             |
|---------|--------|--------|-------------------------|
| 1       | 1.469  | 7.110  | STUD M6 x 18mm (Inside) |
| 2       | 17.968 | 7.110  | STUD M6 x 18mm (Inside) |
| 3       | 1.469  | 12.693 | STUD M6 x 18mm (Inside) |
| 4       | 17.968 | 12.693 | STUD M6 x 18mm (Inside) |
| 5       | 1.469  | 18.276 | STUD M6 x 18mm (Inside) |
| 6       | 1.469  | 1.527  | STUD M6 x 18mm (Inside) |
| 7       | 6.969  | 18.276 | STUD M6 x 18mm (Inside) |
| 8       | 6.969  | 1.527  | STUD M6 x 18mm (Inside) |
| 9       | 12.468 | 18.276 | STUD M6 x 18mm (Inside) |
| 10      | 12.468 | 1.527  | STUD M6 x 18mm (Inside) |
| 11      | 17.968 | 18.276 | STUD M6 x 18mm (Inside) |
| 12      | 17.968 | 1.527  | STUD M6 x 18mm (Inside) |
| -----   |        |        |                         |
| 13      | 18.494 | 15.553 | 880 SCQ4-SLSS6          |
| 14      | 18.494 | 4.250  | 880 SCQ4-SLSS6          |

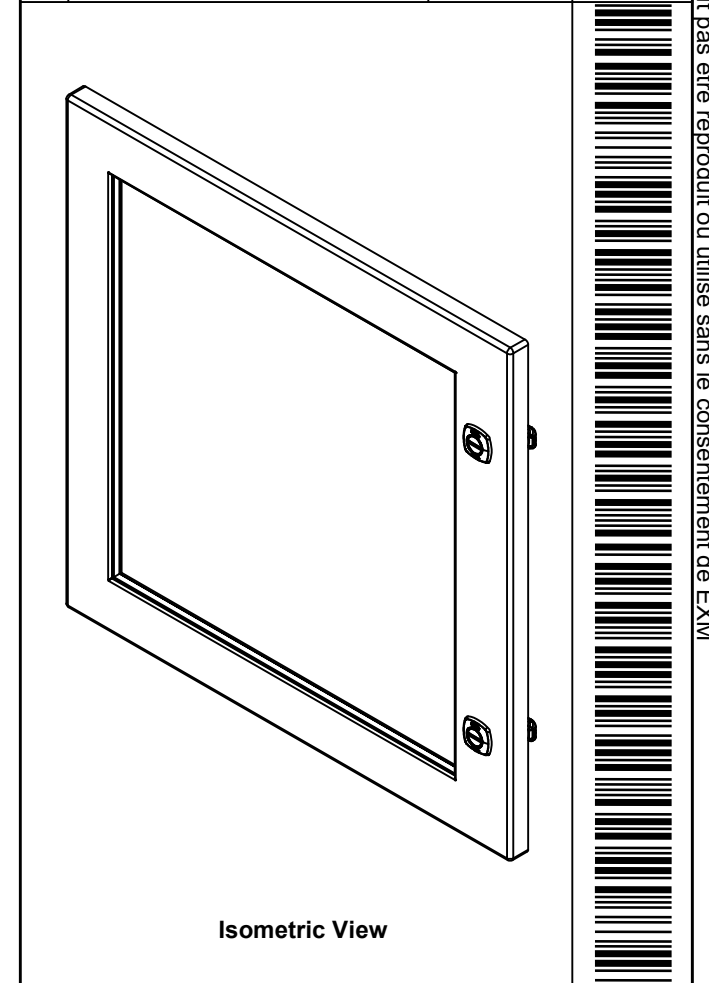


|  |                             |          |
|--|-----------------------------|----------|
|  | Description                 | Status   |
|  | 5412ESSW 20" x 20" Cover    | (NULL)   |
|  | Part Number<br>Numéro Pièce | Rev.     |
|  | <b>5412ESSW202008THC</b>    | <b>0</b> |
|  |                             | 9        |
|  |                             | 15       |

This drawing is confidential and must not be reproduced or used without the consent of EXM

Ce dessin est confidentiel et ne doit pas être reproduit ou utilisé sans le consentement de EXM

| No. | Revisions | Date | By/Par |
|-----|-----------|------|--------|
|     |           |      |        |
|     |           |      |        |
|     |           |      |        |
|     |           |      |        |
|     |           |      |        |



**EXM**  
www.exmweb.com

Tél: (450) 979-4373  
Fax: (450) 979-4626

Flatness  
Aplatissement  
Max 3.0mm

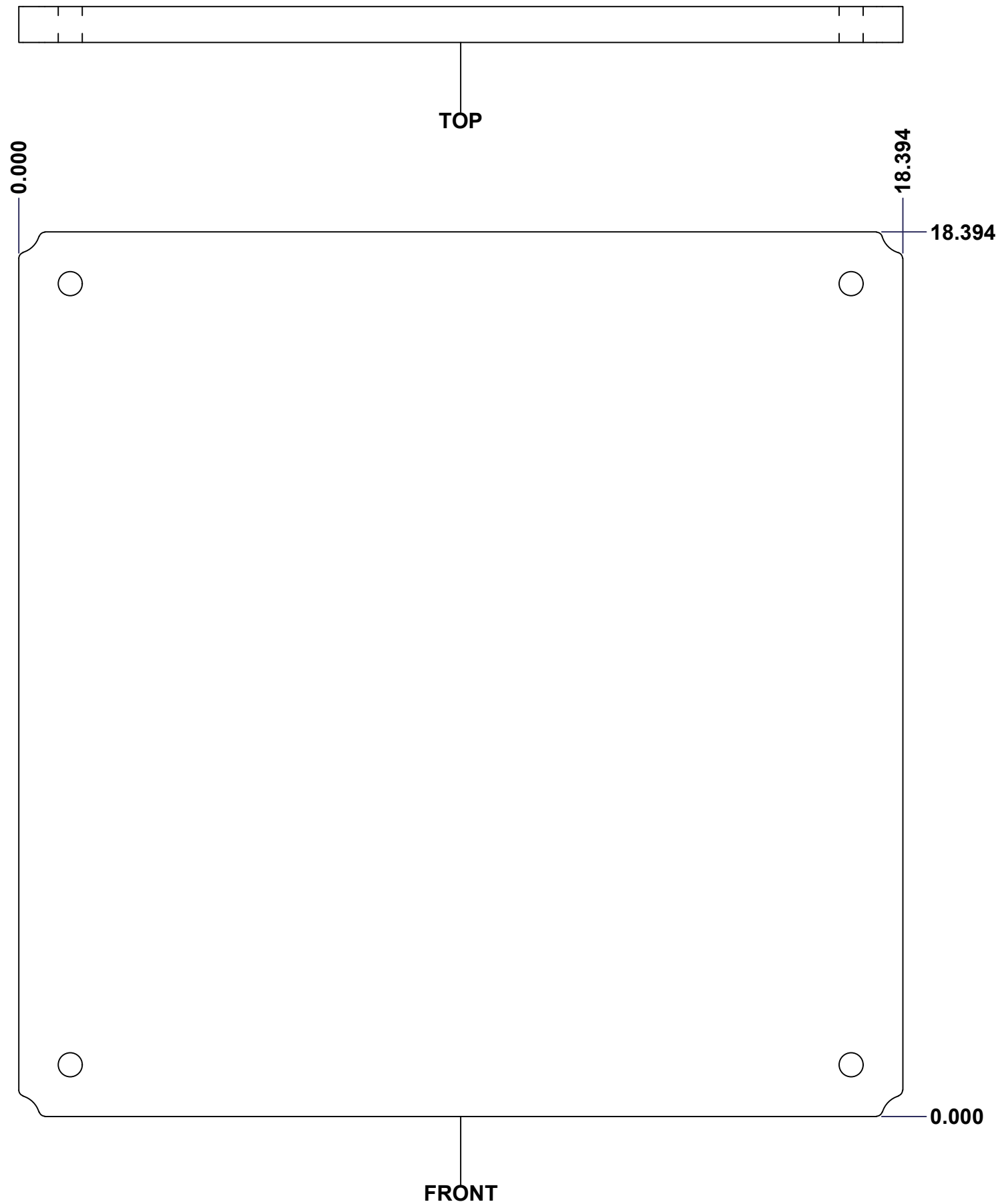
Projection

|            |                     |     |                                       |
|------------|---------------------|-----|---------------------------------------|
| 8          | STK-Q-60701         | 2.1 | 880 WK - Lexan 1/4" Fixing Bracket    |
| 1          | STK-A-60703         | 0   | 5412 ESW Lexan Bracket Kit            |
| 12         | STK-Q-16053         | 1   | Stud M6 x 23mm Stainless steel        |
| 1          | STK-G-02710         | 0   | 880 HWKG - Windows Kit Gasket         |
| 1          | 5412ESSW202008THLXG | 0   | 5412ESSW 20" x 20" Lexan Gasket Part  |
| 1          | 5412ESSW202008THLX  | 0   | 5412ESSW 16.375" x 16.125" Lexan Part |
| 1          | 5412ESSW202008THG   | 0   | 5412ESSW 20" x 20" Cover Gasket Part  |
| 1          | 5412ESSW202008THC-P | 0   | 5412ESSW 20" x 20" Cover Part         |
| 2          | 880 SCQ4-SLSS6      | 7   | 5412 ESS 1/4 Turn Lock                |
| 2          | STK-A-33016         | 0   | 5412 ESS Bended Hinge (Body Part)     |
| QTY        | Part Number         | Rev | Description                           |
| Parts List |                     |     |                                       |

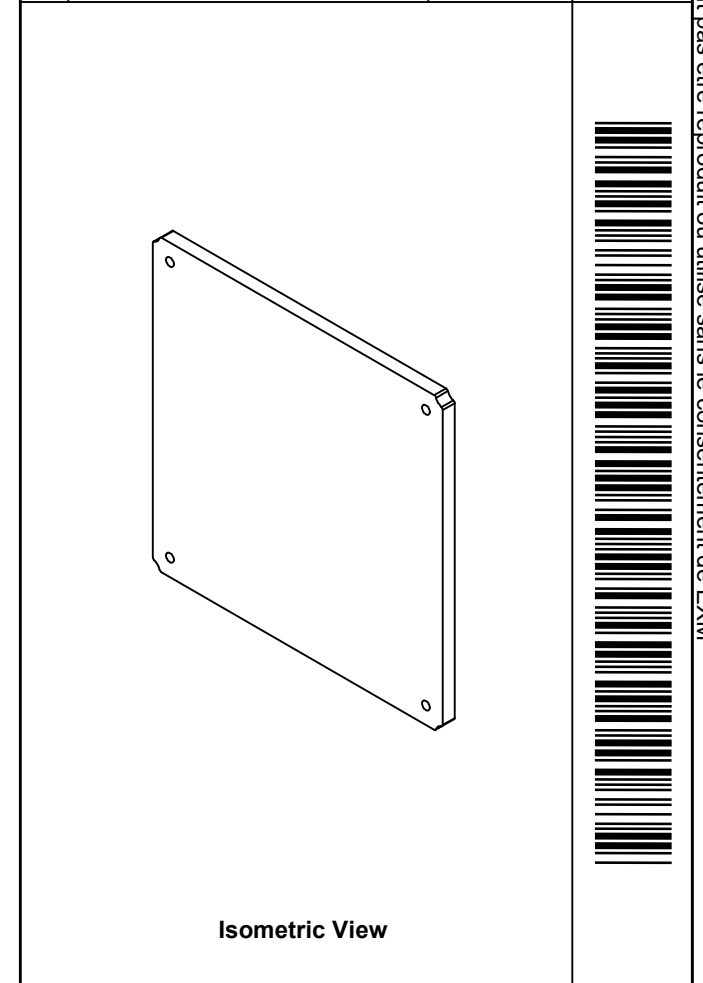
|                             |                                   |
|-----------------------------|-----------------------------------|
| Customer<br>Client          | Date                              |
| Drawn By<br>Dessiné Par     | Date 20-Jun-23                    |
| Material<br>Matière         | 16 Ga Stainless Steel 304 (1.4mm) |
| Color<br>Couleur            | Unpainted                         |
| Finish<br>Fini              | Brushed                           |
| Description                 | Detail Rev.                       |
| 5412ESSW 20" x 20" Cover    |                                   |
| Part Number<br>Numéro Pièce | Rev. 10                           |
| <b>5412ESSW202008THC</b>    | <b>0</b> 15                       |


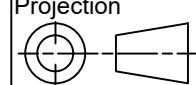
This drawing is confidential and must not be reproduced or used without the consent of EXM

Ce dessin est confidentiel et ne doit pas être reproduit ou utilisé sans le consentement de EXM



| No. | Revisions | Date | By/Par |
|-----|-----------|------|--------|
|     |           |      |        |
|     |           |      |        |
|     |           |      |        |
|     |           |      |        |
|     |           |      |        |

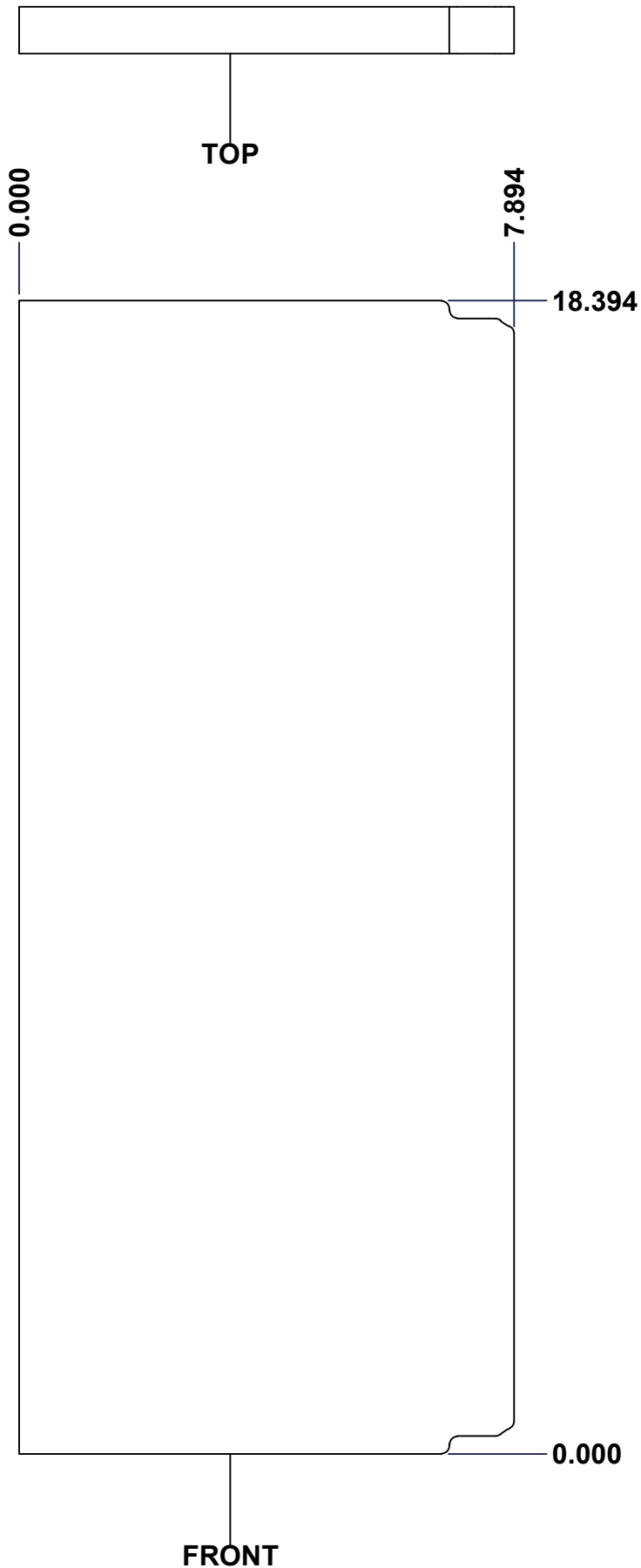


|  |   |
|--|---|
|  Tél: (450) 979-4373<br>Fax: (450) 979-4626<br><a href="http://www.exmweb.com">www.exmweb.com</a> | Flatness<br>Aplatissement<br>Max 3.0mm  |
|  | Projection<br> |
| Customer Client  | Date  |
| Drawn By<br>Dessiné Par BoxCad: Patrick Deschenes  | Date 23-Jan-07  |
| Material<br>Matière Polyisocyanurate   |   |
| Color<br>Couleur Aluminum  | Finish<br>Fini N/A  |
| Description<br>5412ESSW 20" x 20" Back Insulation  |   |
| Detail Rev.  |   |
| Part Number<br>Numéro Pièce <b>5412ESSW202008THI-B</b>   | Rev. 11<br><b>0</b>   |

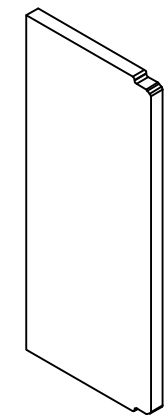
SEE BILL OF MATERIAL ON LAST PAGE

This drawing is confidential and must not be reproduced or used without the consent of EXM

Ce dessin est confidentiel et ne doit pas être reproduit ou utilisé sans le consentement de EXM


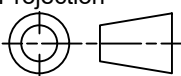


| No. | Revisions | Date | By/Par |
|-----|-----------|------|--------|
|     |           |      |        |
|     |           |      |        |
|     |           |      |        |
|     |           |      |        |
|     |           |      |        |



Isometric View

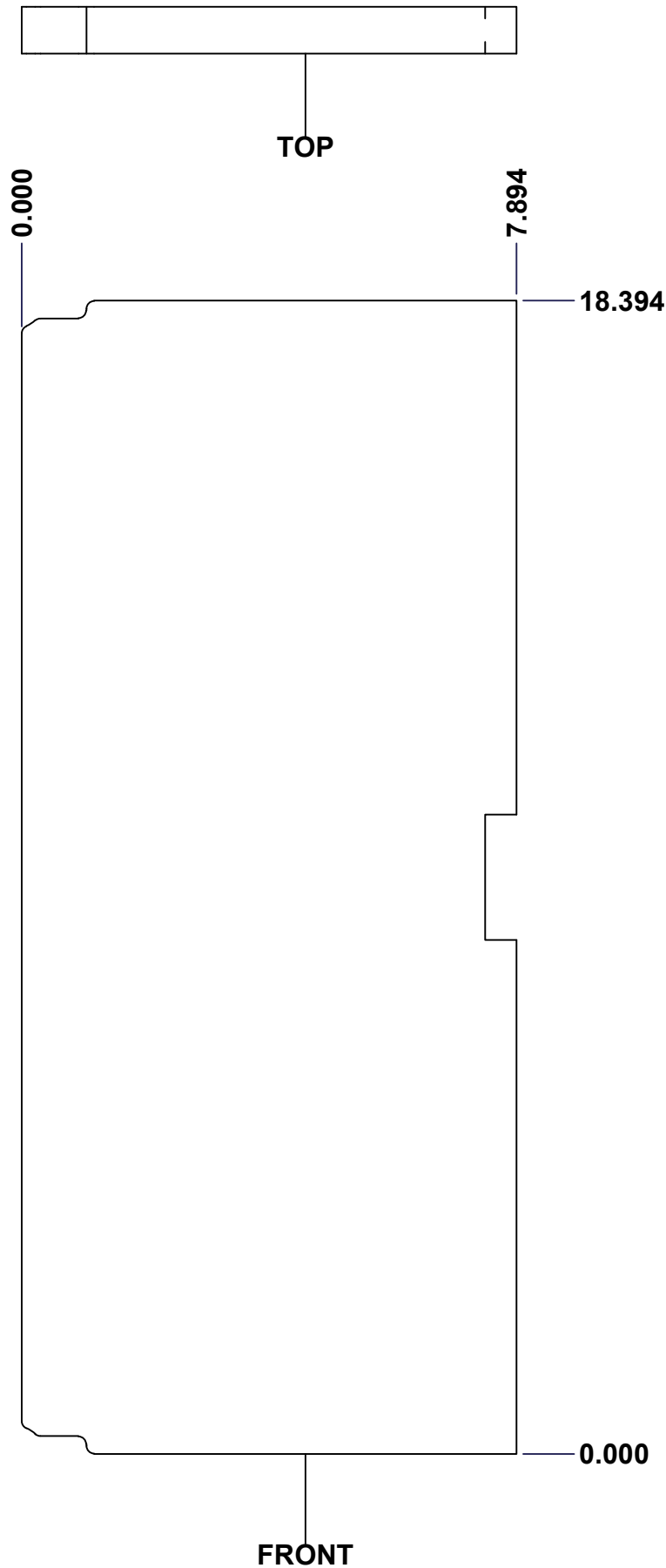


|  |                                    |  |
|--|------------------------------------|--|
|  Tél: (450) 979-4373<br>Fax: (450) 979-4626<br><a href="http://www.exmweb.com">www.exmweb.com</a> |                                    | Flatness<br>Aplatissement<br>Max 3.0mm |
| Projection<br>  |                                    | Date                                   |
| Customer Client  | BoxCad: Patrick Deschenes          | Date 23-Jan-07                         |
| Material Matière   | Polyisocyanurate                   |  |
| Color Couleur  | Aluminum                           | Finish Fini N/A                        |
| Description  | 5412ESSW 20" x 20" Left Insulation |  |
| Part Number<br>Numéro Pièce  | 5412ESSW202008THI-LS               | Detail Rev.<br>Rev. 12<br>0 15         |

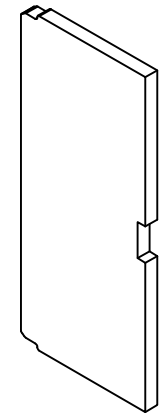
SEE BILL OF MATERIAL ON LAST PAGE

This drawing is confidential and must not be reproduced or used without the consent of EXM

Ce dessin est confidentiel et ne doit pas être reproduit ou utilisé sans le consentement de EXM


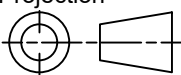


| No. | Revisions | Date | By/Par |
|-----|-----------|------|--------|
|     |           |      |        |
|     |           |      |        |
|     |           |      |        |
|     |           |      |        |
|     |           |      |        |



Isometric View



|  |                           |   |
|--|---------------------------|---|
|  Tél: (450) 979-4373<br>Fax: (450) 979-4626<br><a href="http://www.exmweb.com">www.exmweb.com</a> | Flatness<br>Aplatissement | Max 3.0mm   |
|  | Projection                |  |
| Customer<br>Client   | Date                      |   |
| Drawn By<br>Dessiné Par  | BoxCad: Patrick Deschenes | Date 23-Jan-07  |
| Material<br>Matière  | Polyisocyanurate          |   |
| Color<br>Couleur   | Aluminum                  | Finish<br>Fini N/A  |
| Description  | Detail Rev.               |   |
| 5412ESSW 20" x 20" Right Insulation  |                           |   |
| Part Number<br>Numéro Pièce  | Rev.                      | 13  |
| <b>5412ESSW202008THI-RS</b>  | <b>0</b>                  | 15  |

SEE BILL OF MATERIAL ON LAST PAGE

This drawing is confidential and must not be reproduced or used without the consent of EXM

Ce dessin est confidentiel et ne doit pas être reproduit ou utilisé sans le consentement de EXM

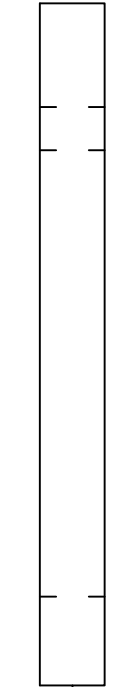


TOP



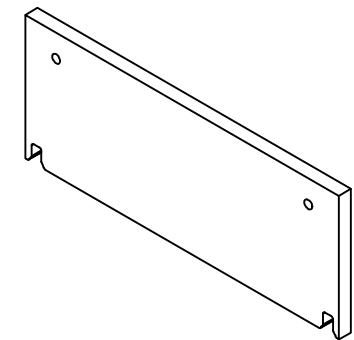
FRONT

0.000  
0.750



RIGHT

| No. | Revisions | Date | By/Par |
|-----|-----------|------|--------|
|     |           |      |        |
|     |           |      |        |
|     |           |      |        |
|     |           |      |        |
|     |           |      |        |



Isometric View

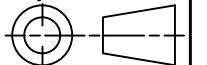


Tél: (450) 979-4373  
Fax: (450) 979-4626  
[www.exmweb.com](http://www.exmweb.com)

Flatness  
Aplatissement

Max 3.0mm

Projection

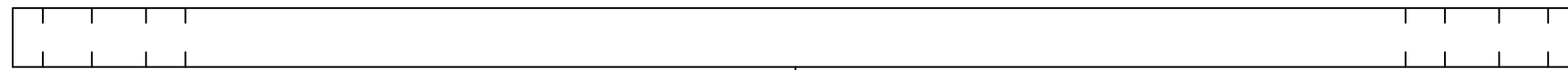


|  |                |
|--|----------------|
| Customer Client                              | Date           |
| Drawn By<br>Dessiné Par                      | Date           |
| Material<br>Matière                          | 23-Jan-07      |
| Polyisocyanurate                             |                |
| Color<br>Couleur                             | Finish<br>Fini |
| Aluminum                                     | N/A            |
| Description                                  | Detail Rev.    |
| 5412ESSW 20" x 20" Top and Bottom Insulation |                |
| Part Number<br>Numéro Pièce                  | Rev.           |
| 5412ESSW202008THI-TP                         | 14             |
|  | 0              |

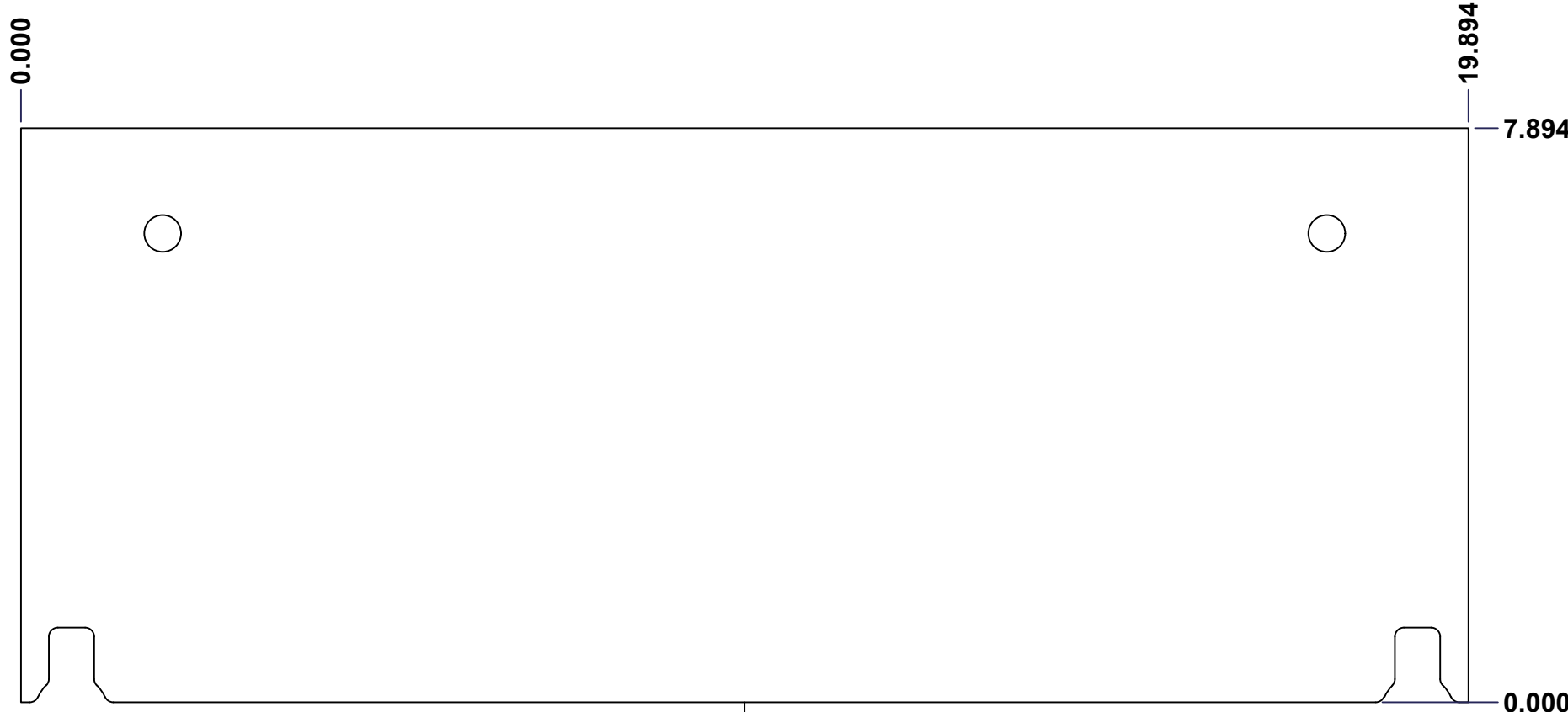
SEE BILL OF MATERIAL ON LAST PAGE

This drawing is confidential and must not be reproduced or used without the consent of EXM

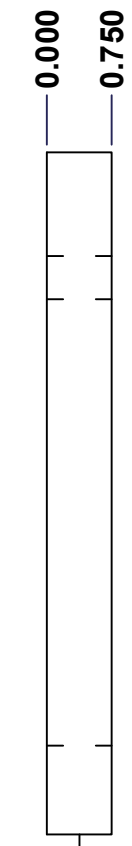
Ce dessin est confidentiel et ne doit pas être reproduit ou utilisé sans le consentement de EXM



TOP

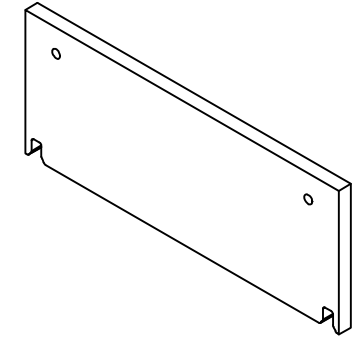


FRONT



RIGHT

| No. | Revisions | Date | By/Par |
|-----|-----------|------|--------|
|     |           |      |        |
|     |           |      |        |
|     |           |      |        |
|     |           |      |        |
|     |           |      |        |



Isometric View



Tél: (450) 979-4373  
 Fax: (450) 979-4626  
[www.exmweb.com](http://www.exmweb.com)

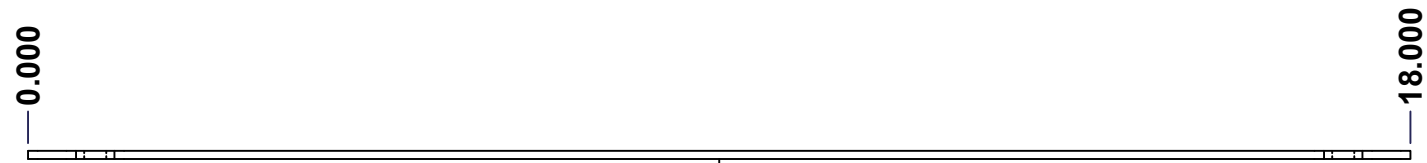
Flatness  
Aplatissement  
Max 3.0mm  
Projection

|   |                    |
|---|--------------------|
| Customer Client   | Date               |
| Drawn By / Dessiné Par: BoxCad: Patrick Deschenes         | Date: 23-Jan-07    |
| Material / Matière: Polyisocyanurate                      |                    |
| Color / Couleur: Aluminum                                 | Finish / Fini: N/A |
| Description: 5412ESSW 20" x 20" Top and Bottom Insulation | Detail Rev.        |
| Part Number / Numéro Pièce: 5412ESSW202008THI-BT          | Rev. 0             |

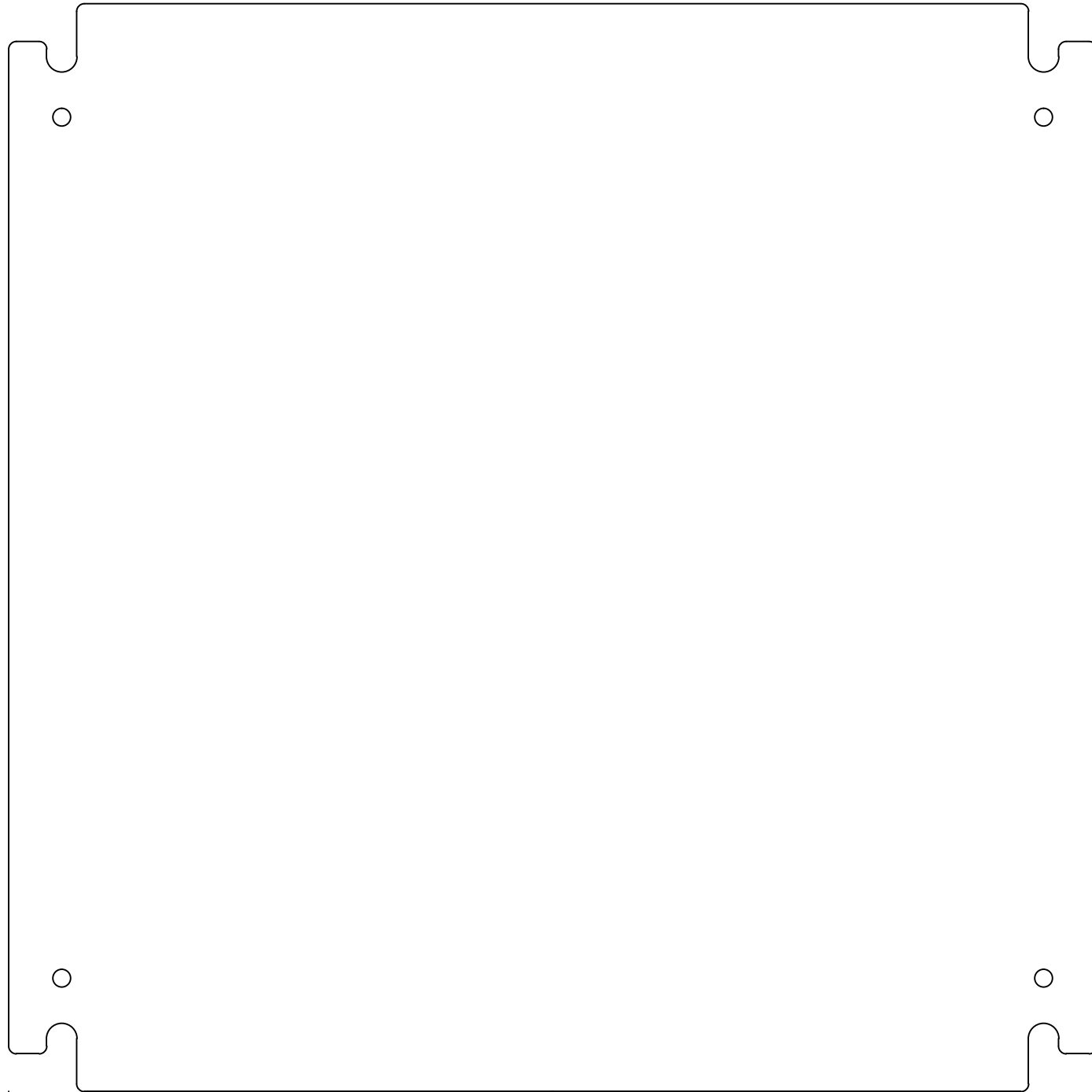
SEE BILL OF MATERIAL ON LAST PAGE

This drawing is confidential and must not be reproduced or used without the consent of EXM

Ce dessin est confidentiel et ne doit pas être reproduit ou utilisé sans le consentement de EXM



TOP



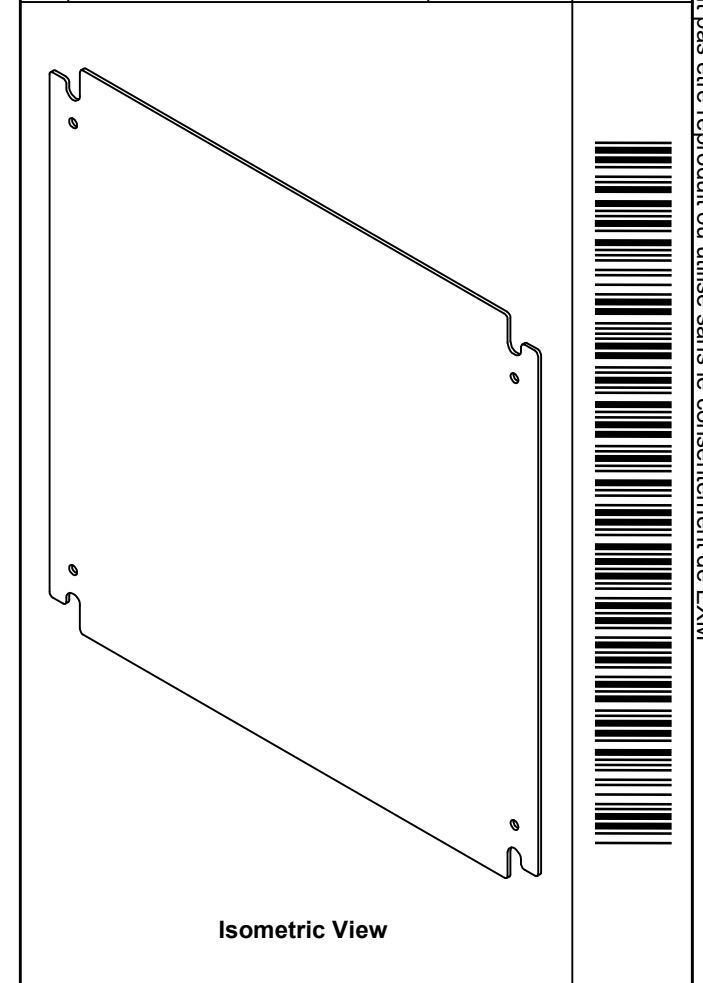
FRONT

18.000

0.000

RIGHT

| No. | Revisions | Date | By/Par |
|-----|-----------|------|--------|
|     |           |      |        |
|     |           |      |        |
|     |           |      |        |
|     |           |      |        |
|     |           |      |        |



Isometric View

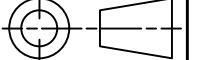


Tél: (450) 979-4373  
Fax: (450) 979-4626  
www.exmweb.com

Flatness  
Aplatissement

Max 3.0mm

Projection



|                                |                |
|--------------------------------|----------------|
| Customer Client                | Date           |
| Drawn By<br>Dessiné Par BoxCad | Date 23-Jan-07 |
| Material<br>Matière            | See Part List  |
| Color<br>Couleur               | See Part List  |
| Finish<br>Fini                 | See Part List  |

Description  
881 SP - Inner Panel

Detail Rev.

| Qty | Part Number   | Rev | Description               | Material         | Color     | Finish     |
|-----|---------------|-----|---------------------------|------------------|-----------|------------|
| 1   | 881 SP2020G-P | 0   | 881 SP - Inner Panel Part | 12 Ga Galvanized | Unpainted | Galvanized |

Parts List

|                             |          |   |
|-----------------------------|----------|---|
| Part Number<br>Numéro Pièce | Rev.     | 1 |
| <b>881 SP2020G</b>          | <b>0</b> | 2 |



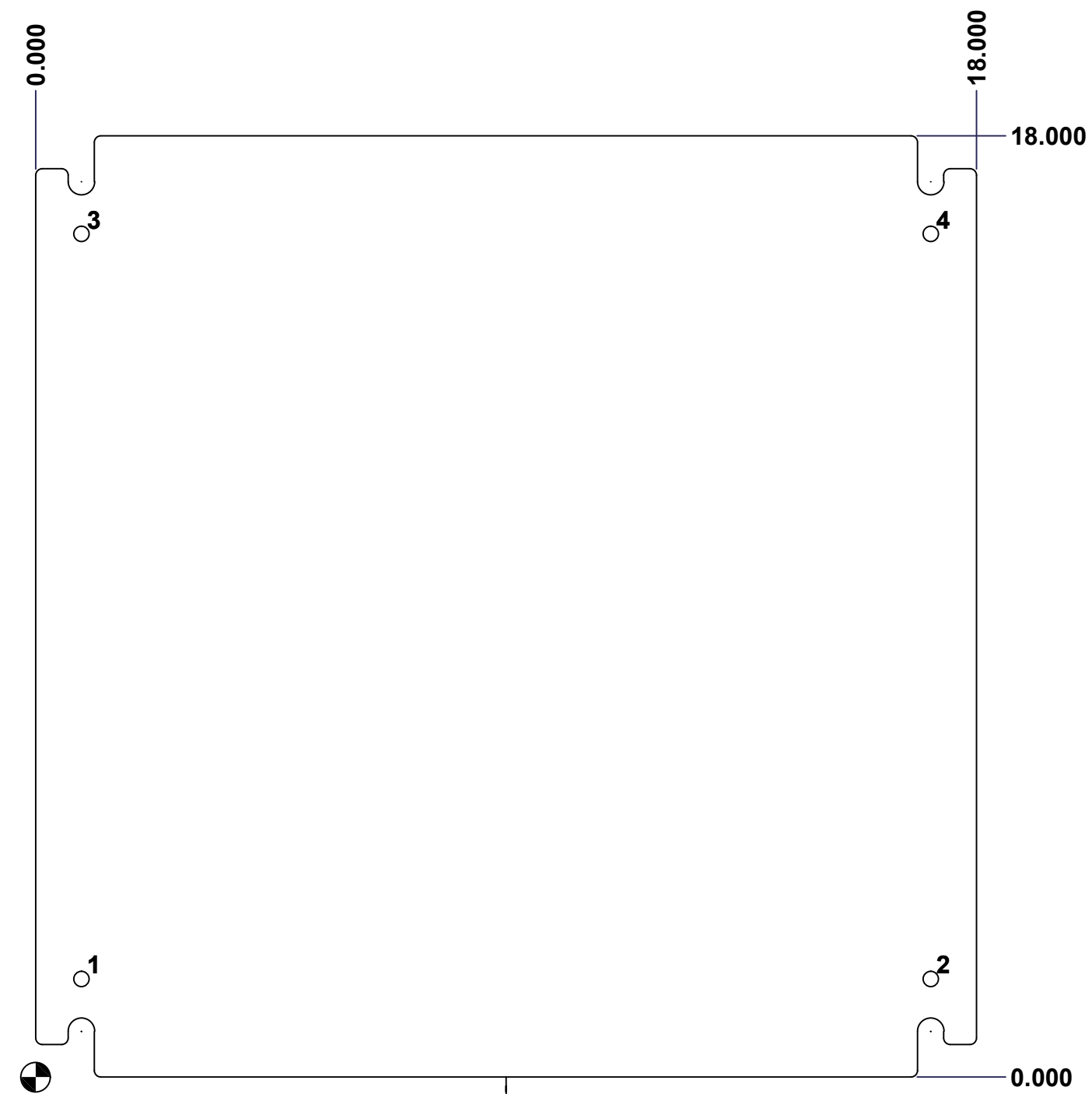
This drawing is confidential and must not be reproduced or used without the consent of EXM

Ce dessin est confidentiel et ne doit pas être reproduit ou utilisé sans le consentement de EXM

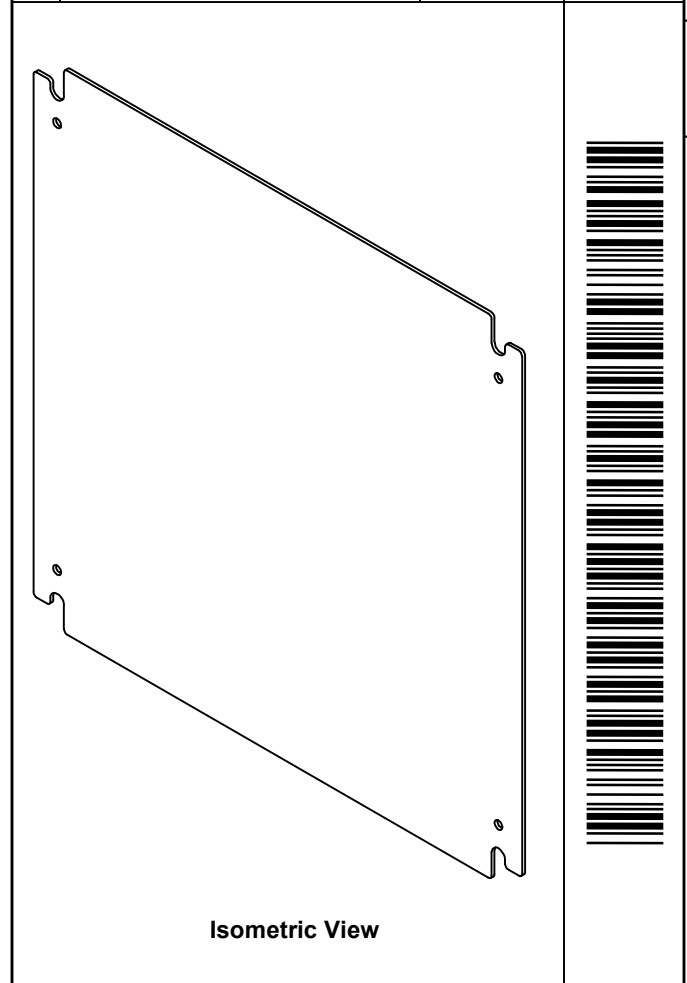
| Table 1 |        |        | FRONT VIEW               |
|---------|--------|--------|--------------------------|
| CUT-OUT | XDIM   | YDIM   | DESCRIPTION              |
| 1       | 0.875  | 1.875  | GROUND HOLE (RND Ø0.290) |
| 2       | 17.125 | 1.875  | GROUND HOLE (RND Ø0.290) |
| 3       | 0.875  | 16.125 | GROUND HOLE (RND Ø0.290) |
| 4       | 17.125 | 16.125 | GROUND HOLE (RND Ø0.290) |

All knockouts are actual size / Les disques défonçables sont grandeur réel


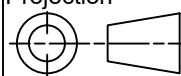
| No. | Revisions | Date | By/Par |
|-----|-----------|------|--------|
|     |           |      |        |
|     |           |      |        |
|     |           |      |        |
|     |           |      |        |
|     |           |      |        |
|     |           |      |        |



FRONT



Isometric View

|  |                              |   |
|--|------------------------------|---|
|  Tél: (450) 979-4373<br>Fax: (450) 979-4626<br>www.exmweb.com |                              | Flatness<br>Aplatissement<br>Max 3.0mm  |
| Customer<br>Client   |                              | Projection<br> |
| Drawn By<br>Dessiné Par BoxCad   |                              | Date 23-Jan-07  |
| Material<br>Matière See Part List  |                              |   |
| Color<br>Couleur See Part List   | Finish<br>Fini See Part List |   |
| Description<br>881 SP - Inner Panel  |                              | Detail Rev.   |
| Part Number<br>Numéro Pièce<br><b>881 SP2020G</b>  |                              | Rev. 2<br><b>0</b>  |