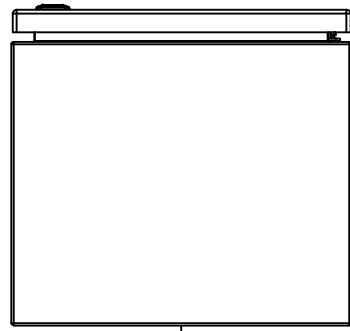


This drawing is confidential and must not be reproduced or used without the consent of EXM

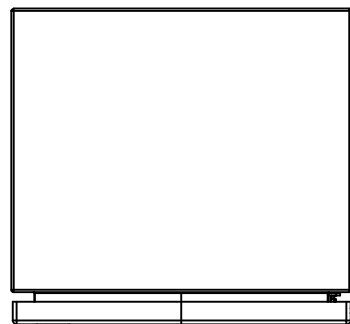
Ce dessin est confidentiel et ne doit pas être reproduit ou utilisé sans le consentement de EXM



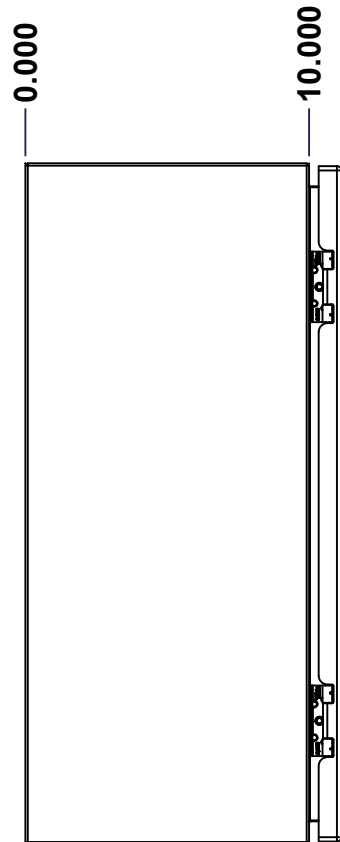
TOP



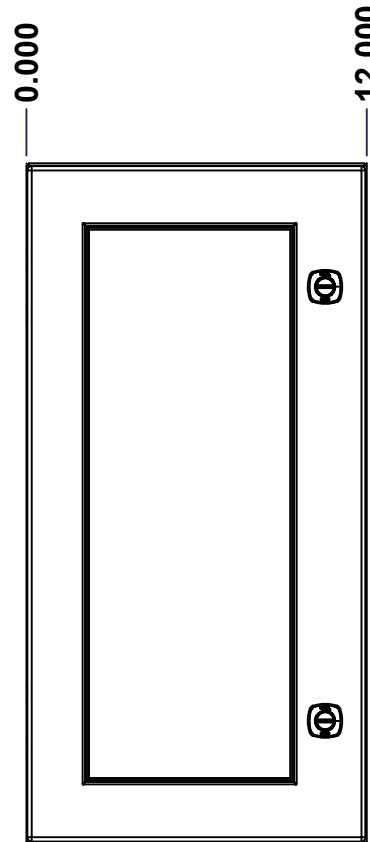
BACK



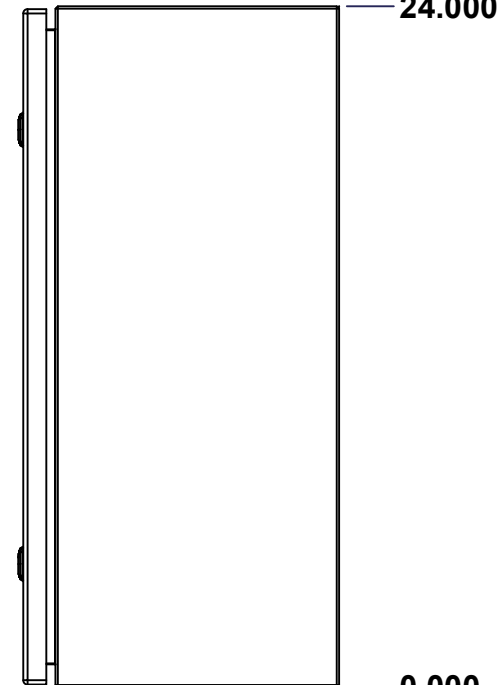
BOTTOM



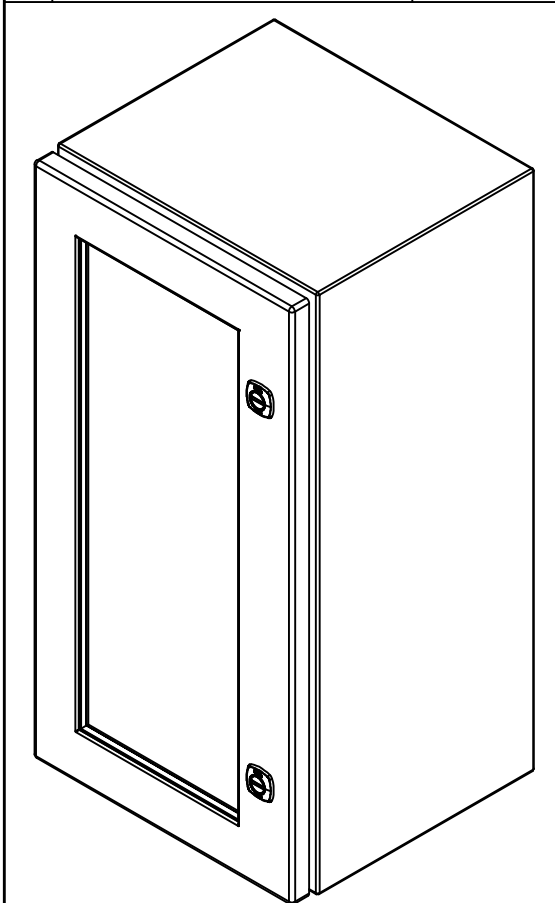
LEFT



FRONT



RIGHT




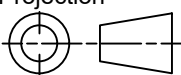
Isometric View



**GRAIN DIRECTION:
TOP/BOTTOM: HORIZONTAL
LEFT/RIGHT/BACK/FRONT: VERTICAL**

SEE BILL OF MATERIAL ON LAST PAGE

| No. | Revisions | Date | By/Par |
|-----|-----------|------|--------|
| | | | |
| | | | |
| | | | |
| | | | |
| | | | |

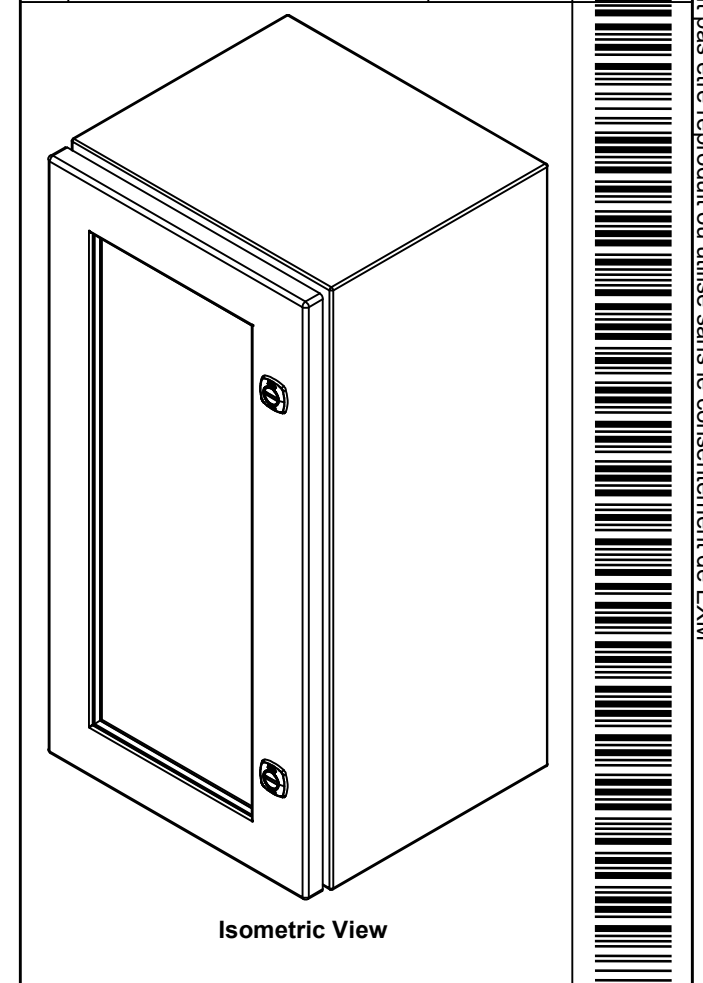
| | | |
|--|--------------------------|---|
|  Tél: (450) 979-4373 Fax: (450) 979-4626 www.exmweb.com | | Flatness Aplatissement Max 3.0mm Projection  |
| Customer Client | Date | |
| Drawn By Dessiné Par: BoxCad: BoxCad | Date: 03-Jul-23 | |
| Material Matière: 16 Ga Stainless Steel 316 (1.4mm) | Color Couleur: Unpainted | |
| | Finish Fini: Brushed | |
| Description: 5412ESSW 24" x 12" x 10" Assembly | Detail Rev. | |
| Part Number Numéro Pièce: 5412ESSW2412106NOIP | Rev. 0 | 1/9 |

This drawing is confidential and must not be reproduced or used without the consent of EXM

Ce dessin est confidentiel et ne doit pas être reproduit ou utilisé sans le consentement de EXM

| NOTE | |
|------|--|
| ITEM | DESCRIPTION |
| 1 | NEMA 4X Enclosure |
| 2 | C/W Standard ground studs on box and cover |
| 3 | W/O Standard door stiffener |
| 4 | W/O Inner panel |
| 5 | C/W Standard inner panel mounting studs |

| No. | Revisions | Date | By/Par |
|-----|-----------|------|--------|
| | | | |
| | | | |
| | | | |
| | | | |
| | | | |
| | | | |




 Tél: (450) 979-4373
 Fax: (450) 979-4626
www.exmweb.com

Flatness / Aplatissement: Max 3.0mm
 Projection: 

| | |
|---|-----------------|
| Customer Client | Date |
| Drawn By / Dessiné Par: BoxCad: BoxCad | Date: 03-Jul-23 |
| Material / Matière: 16 Ga Stainless Steel 316 (1.4mm) | |

| | |
|--|------------------------|
| Color / Couleur: Unpainted | Finish / Fini: Brushed |
| Description: 5412ESSW 24" x 12" x 10" Assembly | Detail Rev. |
| Part Number / Numéro Pièce: 5412ESSW2412106NOIP | Rev. 0 |

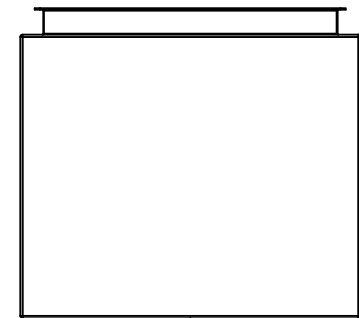
| Qty | Part Number | Rev | Description |
|-----|-----------------------|-----|--|
| 1 | STK-K-01800 | 5 | 5412 ES Accessory Kit |
| 1 | 5412ESSW2412106NOIP C | 0 | 5412ESSW 24" x 12" Cover |
| 1 | 5412ESSW2412106NOIP B | 0 | 5412ESSW 24" x 12" x 10" Body |
| 2 | STK-Q-04051-08 | 1 | M6 x 8mm Stainless Steel Hexagon Socket Head Machine Screw with Nyseal |

Parts List

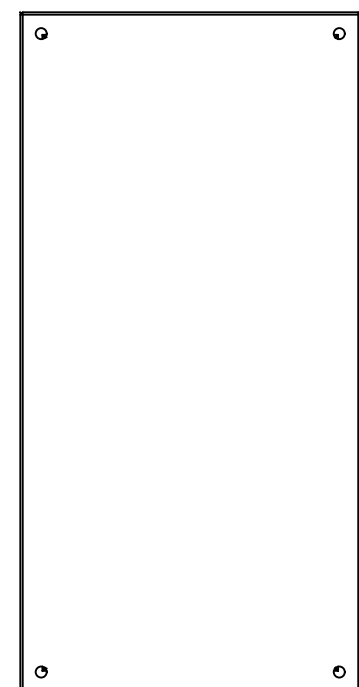
| PACKING | | |
|-----------------------|-----|--|
| ITEM | QTY | DESCRIPTION |
| Cardboard sleeve | 2 | Top and Bottom |
| Cardboard strip | 2 | Between back of enclosure and inner panel |
| Plastic bag | 1 | To protect cover surface and inside gasket |
| Plastic strap - Black | 2 | To Squeeze the 2 cardboard sleeve together |
| Packaging label | 1 | White label with product number |

This drawing is confidential and must not be reproduced or used without the consent of EXM

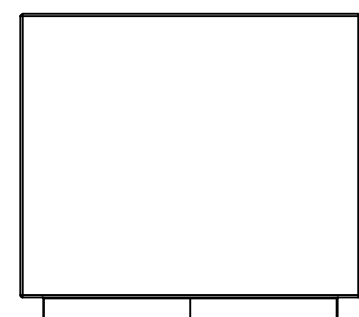
Ce dessin est confidentiel et ne doit pas être reproduit ou utilisé sans le consentement de EXM



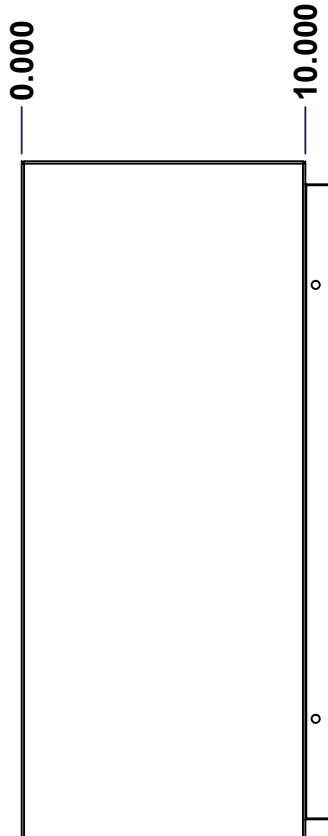
TOP



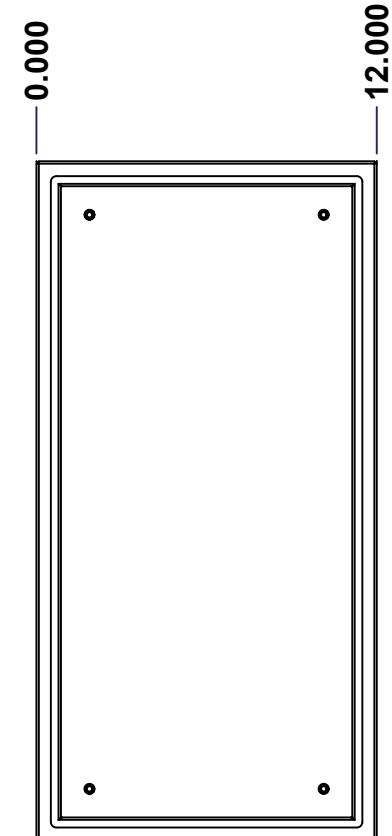
BACK



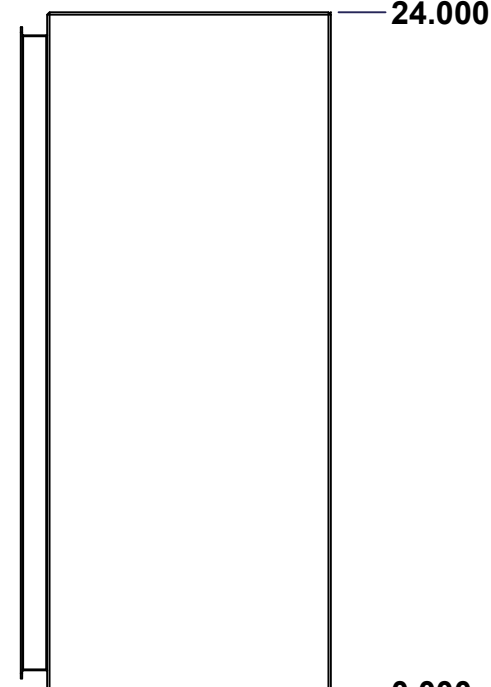
BOTTOM



LEFT

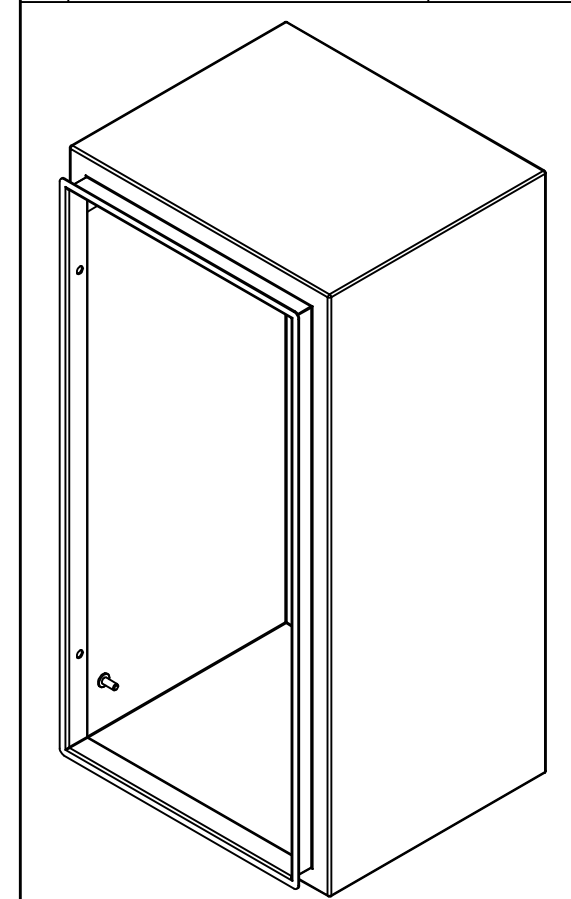


FRONT




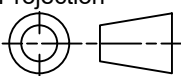
RIGHT

| No. | Revisions | Date | By/Par |
|-----|-----------|------|--------|
| | | | |
| | | | |
| | | | |
| | | | |
| | | | |



Isometric View



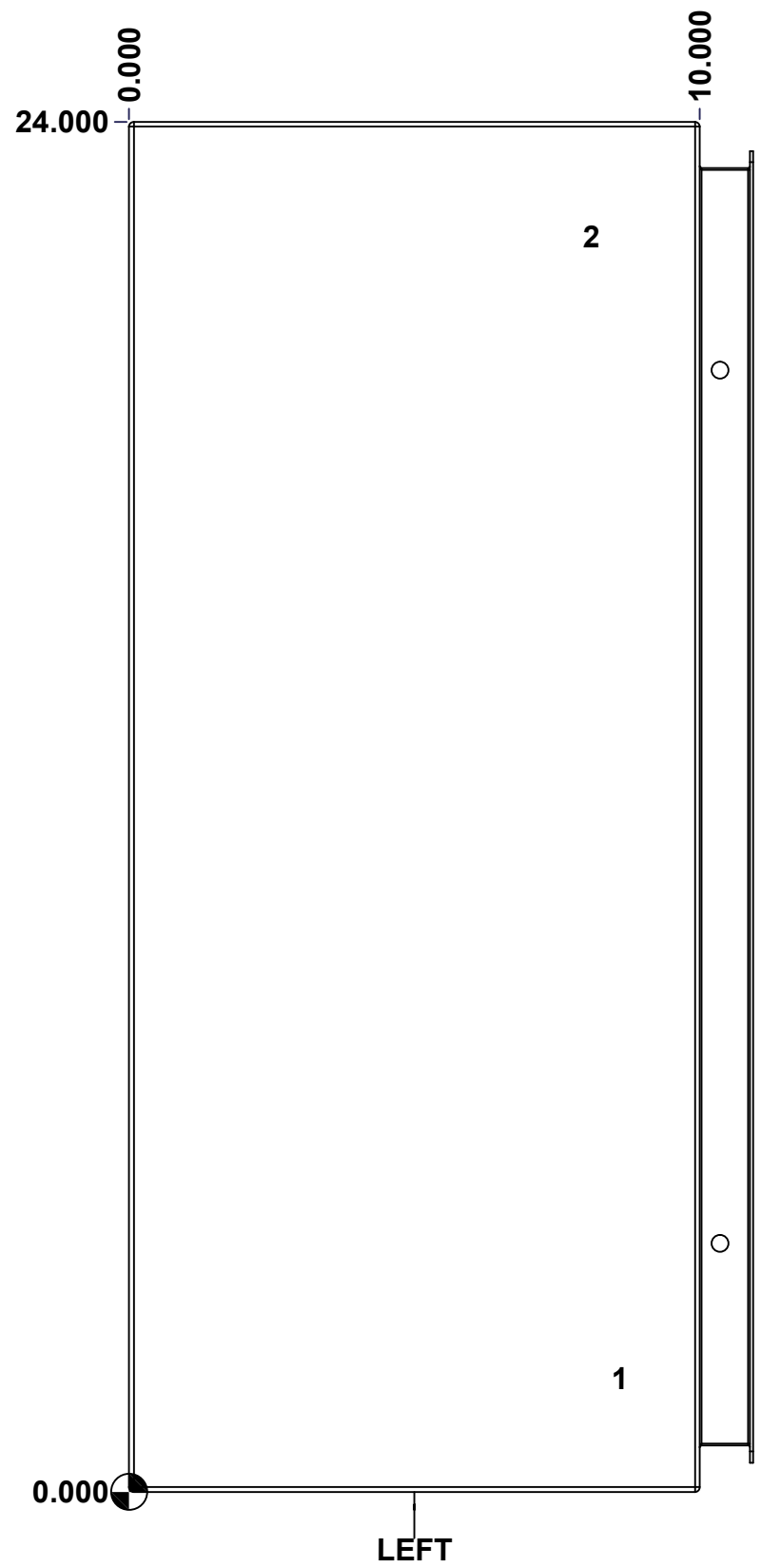
| | | |
|--|-----------------------------------|---|
|  Tél: (450) 979-4373 Fax: (450) 979-4626 www.exmweb.com | | Flatness Aplatissement Max 3.0mm Projection  |
| Customer Client | Date | |
| Drawn By Dessiné Par | BoxCad: BoxCad | Date 03-Jul-23 |
| Material Matière | 16 Ga Stainless Steel 316 (1.4mm) | |
| Color Couleur | Unpainted | Finish Fini Brushed |
| Description | Detail Rev. | |
| 5412ESSW 24" x 12" x 10" Body | | |
| Part Number Numéro Pièce | Rev. 0 | 3 9 |

SEE BILL OF MATERIAL ON LAST PAGE **5412ESSW2412106NOIPB**

This drawing is confidential and must not be reproduced or used without the consent of EXM

Ce dessin est confidentiel et ne doit pas être reproduit ou utilisé sans le consentement de EXM

| STANDARD FEATURES ARE NOT LISTED IN THIS HOLE TABLE | | | |
|---|-------|--------|-----------------------------|
| HOLE TABLE - LEFT VIEW (CUSTOM FEATURE ONLY) | | | |
| CUT-OUT | XDIM | YDIM | DESCRIPTION |
| 1 | 8.500 | 2.000 | GND STUD M6 x 16mm (Inside) |
| 2 | 8.000 | 22.000 | LABEL_EXM (Inside) |



| | | |
|--|-------------------------------|-------------------|
| | Description | Status |
| | 5412ESSW 24" x 12" x 10" Body | (NULL) |
| | Part Number Numéro Pièce | Rev. |
| | 5412ESSW2412106NOIPB | 0 / 4 9 |

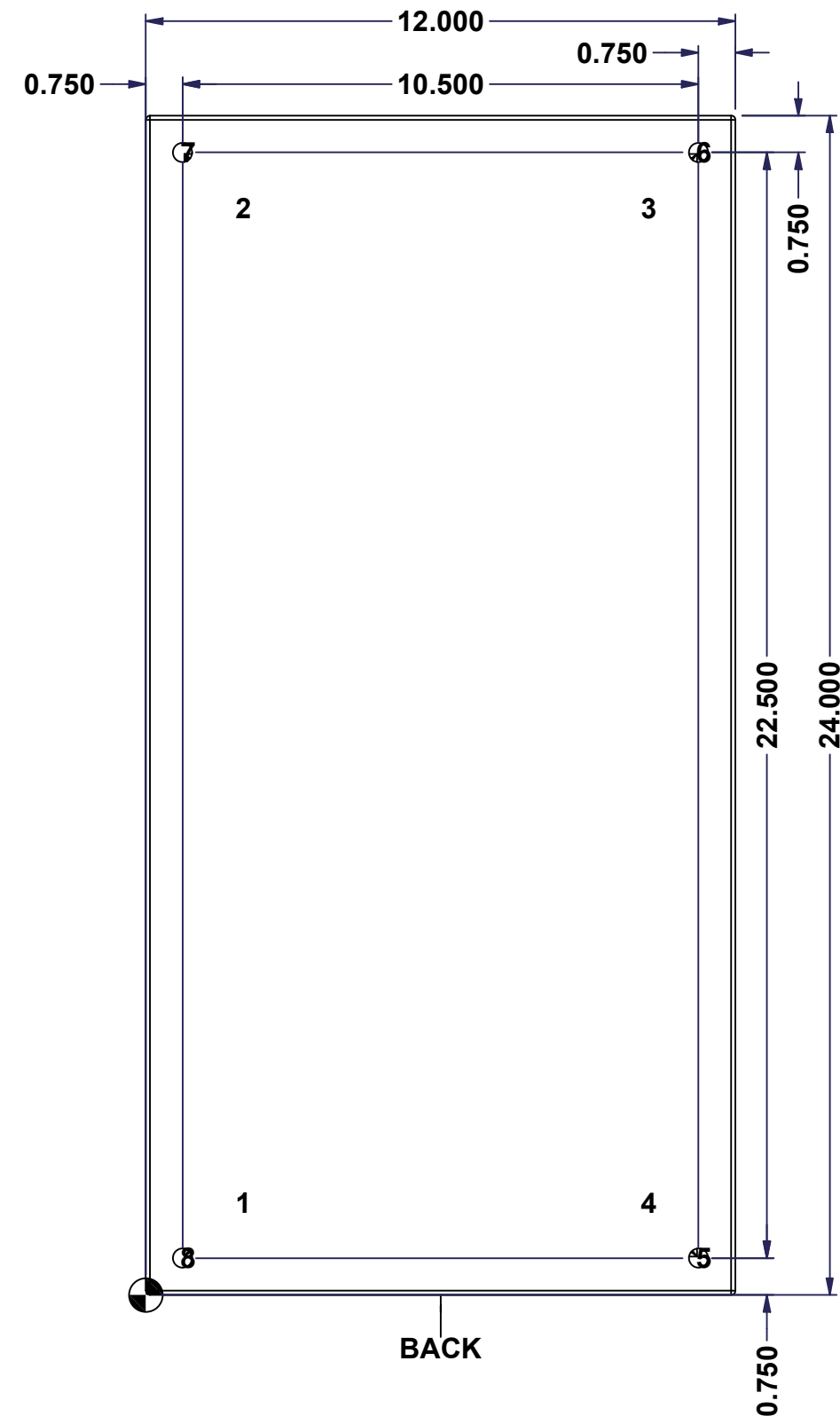
This drawing is confidential and must not be reproduced or used without the consent of EXM

Ce dessin est confidentiel et ne doit pas être reproduit ou utilisé sans le consentement de EXM

STANDARD FEATURES ARE NOT LISTED IN THIS HOLE TABLE

HOLE TABLE - BACK VIEW (CUSTOM FEATURE ONLY)

| CUT-OUT | XDIM | YDIM | DESCRIPTION |
|---------|--------|--------|----------------------------|
| 1 | 1.875 | 1.875 | IP STUD M8 x 35mm (Inside) |
| 2 | 1.875 | 22.125 | IP STUD M8 x 35mm (Inside) |
| 3 | 10.125 | 22.125 | IP STUD M8 x 35mm (Inside) |
| 4 | 10.125 | 1.875 | IP STUD M8 x 35mm (Inside) |
| ----- | | | |
| 5 | 11.250 | 0.750 | RND Ø0.390 |
| 6 | 11.250 | 23.250 | RND Ø0.390 |
| 7 | 0.750 | 23.250 | RND Ø0.390 |
| 8 | 0.750 | 0.750 | RND Ø0.390 |



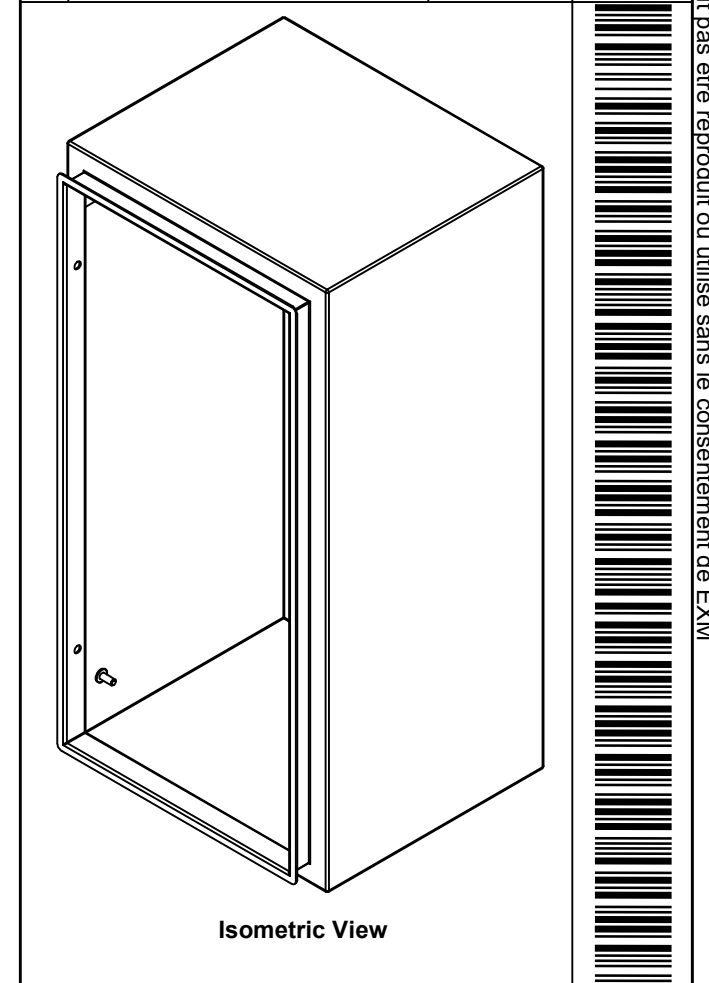
BACK



| | | | |
|--|-------------------------------|--|-------------|
| | Description | | Status |
| | 5412ESSW 24" x 12" x 10" Body | | (NULL) |
| | Part Number Numéro Pièce | | Rev. |
| | 5412ESSW2412106NOIPB | | 5 0 9 |

This drawing is confidential and must not be reproduced or used without the consent of EXM

Ce dessin est confidentiel et ne doit pas être reproduit ou utilisé sans le consentement de EXM

| No. | Revisions | Date | By/Par |
|-----|-----------|------|--------|
| | | | |
| | | | |
| | | | |
| | | | |
| | | | |

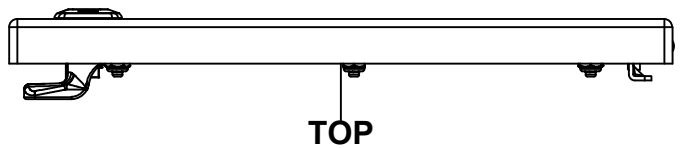


| | | | |
|--|------------------------|---------------------------|---|
|  Tél: (450) 979-4373 Fax: (450) 979-4626 www.exmweb.com | | Flatness Aplatissement |  |
| | | Max 3.0mm | Projection |
| Customer Client | | Date | |
| Drawn By Dessiné Par BoxCad: BoxCad | | Date 03-Jul-23 | |
| Material Matière 16 Ga Stainless Steel 316 (1.4mm) | | | |
| Color Couleur Unpainted | Finish Fini Brushed | | |
| Description 5412ESSW 24" x 12" x 10" Body | | | Detail Rev. |
| Part Number Numéro Pièce 5412ESSW2412106NOIPB | | | Rev. 0 |
| | | | 6 9 |

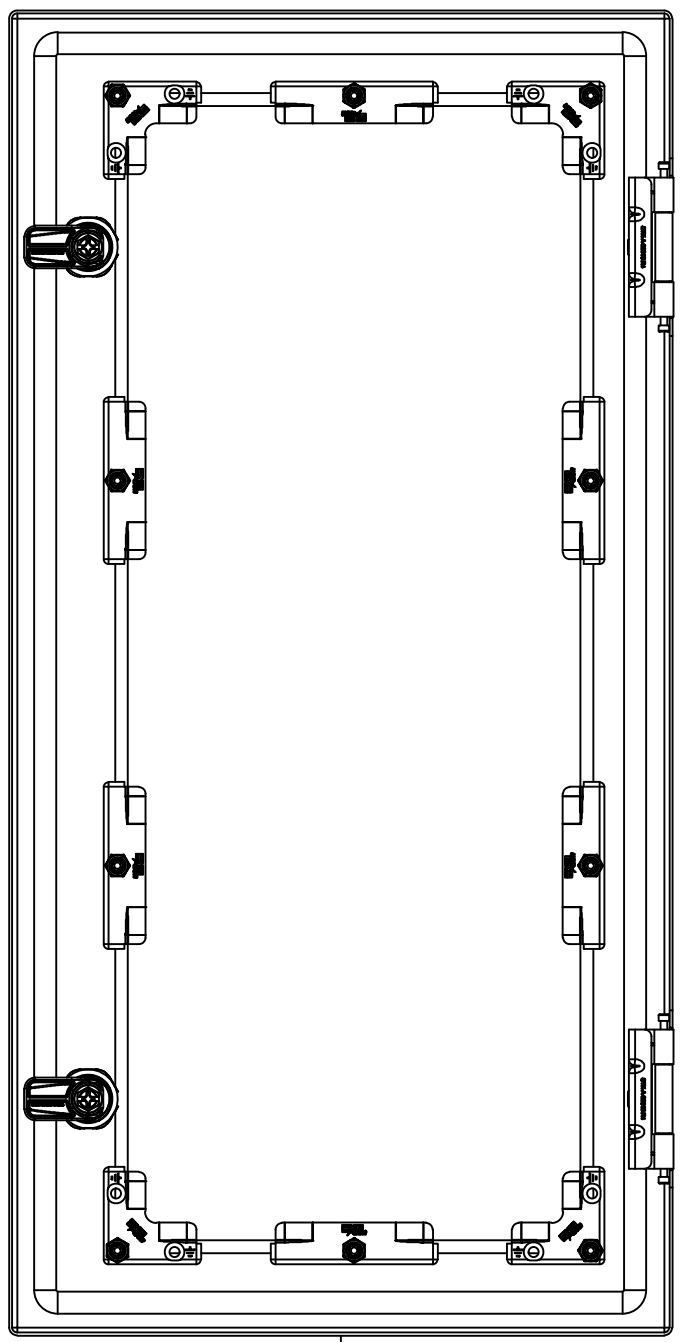
| Qty | Part Number | Rev | Description |
|------------|----------------------------|-----|--|
| 1 | STK-S-00100 | 0 | 3.5" x 2" Silver Milar Flexcon Sticker |
| 1 | STK-Q-16085 | 0 | Ground Stud M6 x 16mm Stainless Steel |
| 4 | STK-Q-16020 | 1 | Stud M8 x 35mm Stainless Steel |
| 1 | 5412ESSW2412106NOIP B-P | 0 | 5412ESSW 24" x 12" x 10" Body Part |
| Parts List | | | |

This drawing is confidential and must not be reproduced or used without the consent of EXM

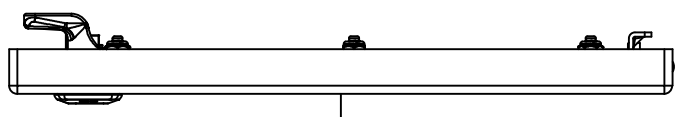
Ce dessin est confidentiel et ne doit pas être reproduit ou utilisé sans le consentement de EXM



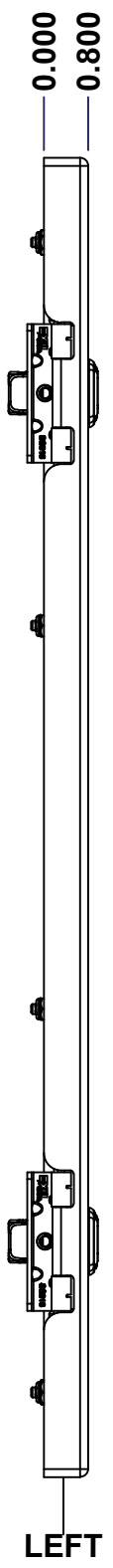
TOP



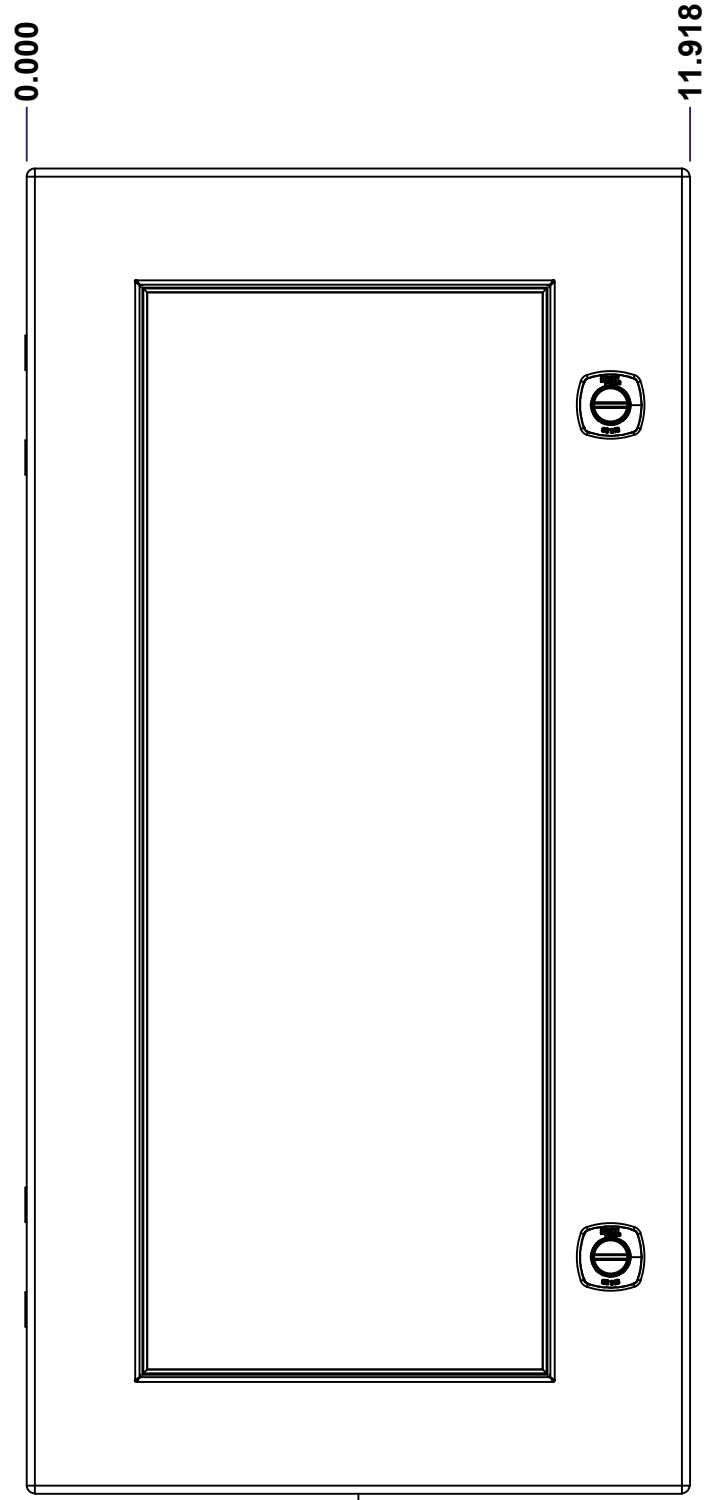
BACK



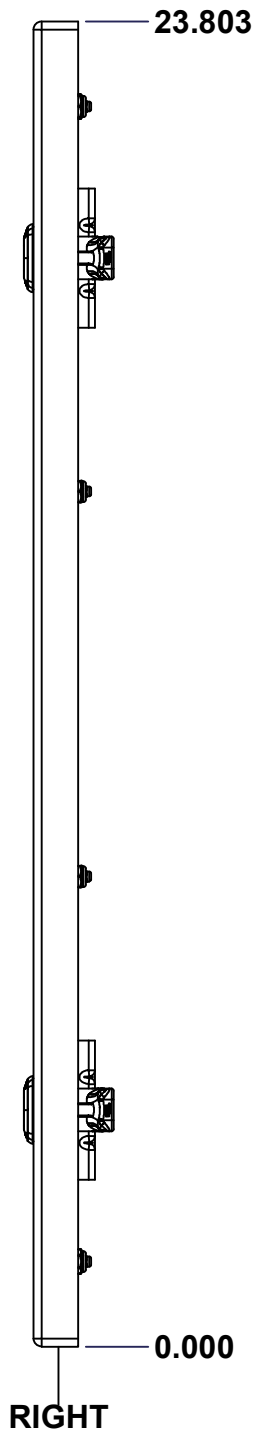
BOTTOM



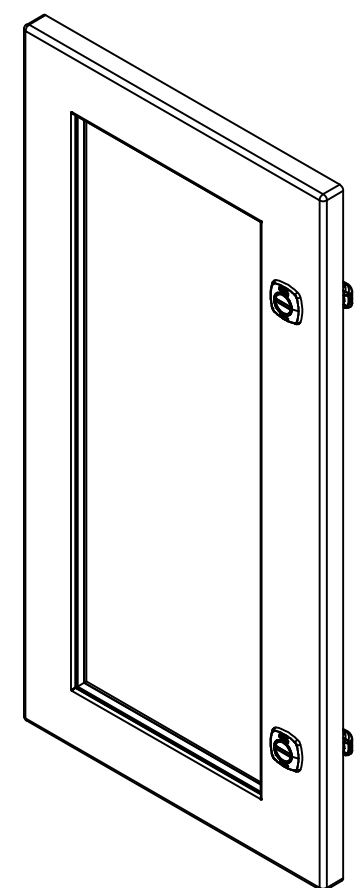
LEFT



FRONT

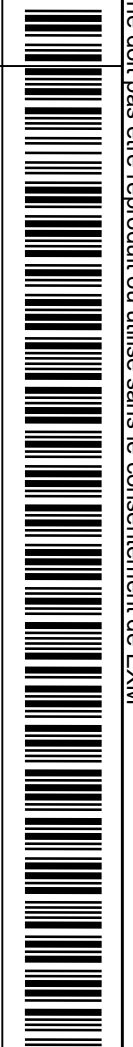


RIGHT



Isometric View

| No. | Revisions | Date | By/Par |
|-----|-----------|------|--------|
| | | | |
| | | | |
| | | | |
| | | | |



Tél: (450) 979-4373
 Fax: (450) 979-4626
www.exmweb.com

Flatness
 Aplatissement
 Max 3.0mm
 Projection

Customer Client
 Drawn By Dessiné Par BoxCad: BoxCad
 Date 03-Jul-23

Material Matière 16 Ga Stainless Steel 316 (1.4mm)

Color Couleur Unpainted
 Finish Fini Brushed

Description 5412ESSW 24" x 12" Cover
 Detail Rev.

Part Number Numéro Pièce 5412ESSW2412106NOIPC
 Rev. 0

SEE BILL OF MATERIAL ON LAST PAGE

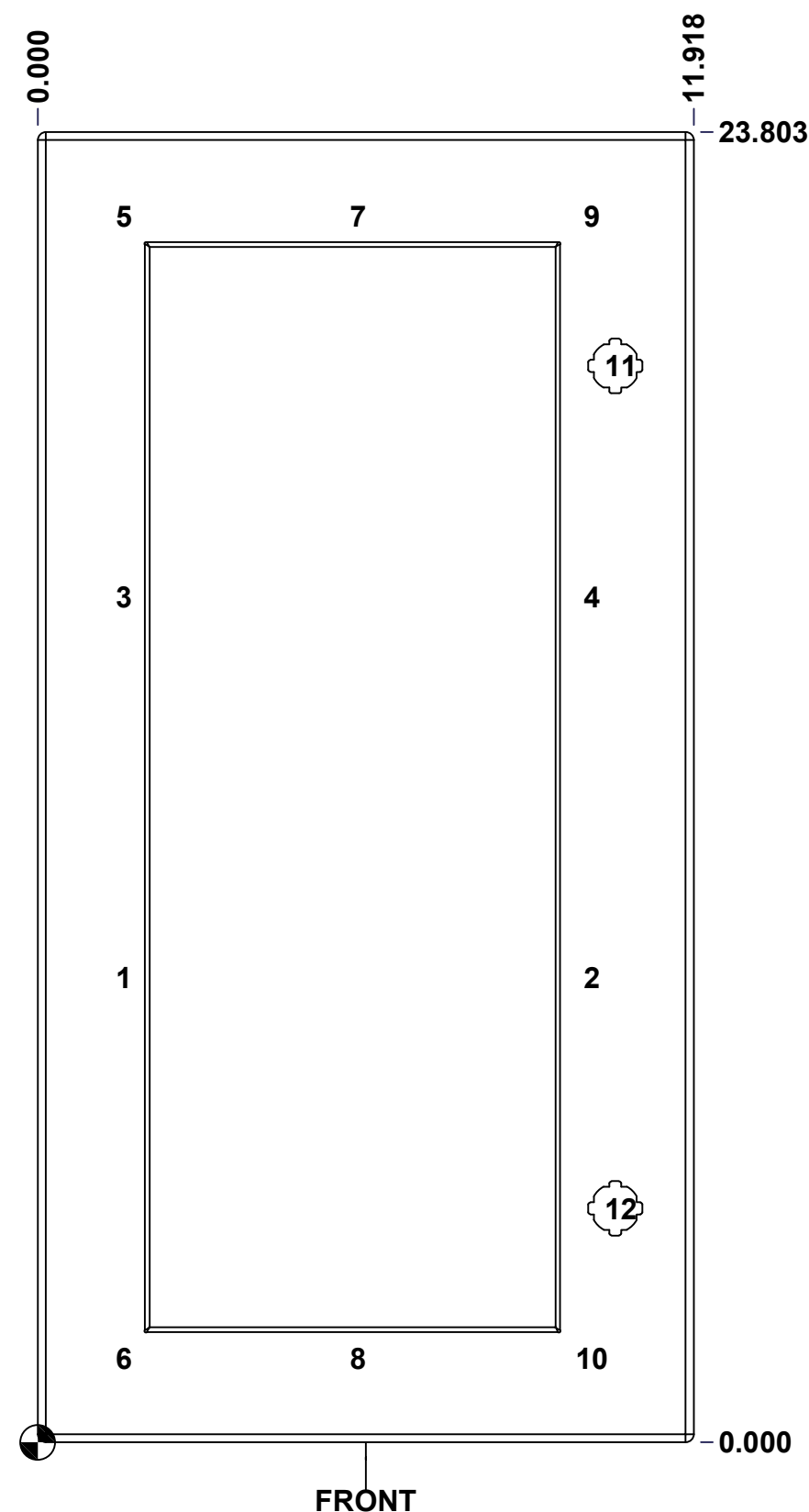
This drawing is confidential and must not be reproduced or used without the consent of EXM

Ce dessin est confidentiel et ne doit pas être reproduit ou utilisé sans le consentement de EXM

STANDARD FEATURES ARE NOT LISTED IN THIS HOLE TABLE

HOLE TABLE - FRONT VIEW (CUSTOM FEATURE ONLY)

| CUT-OUT | XDIM | YDIM | DESCRIPTION |
|---------|--------|--------|-------------------------|
| 1 | 1.469 | 8.443 | STUD M6 x 18mm (Inside) |
| 2 | 9.968 | 8.443 | STUD M6 x 18mm (Inside) |
| 3 | 1.469 | 15.360 | STUD M6 x 18mm (Inside) |
| 4 | 9.968 | 15.360 | STUD M6 x 18mm (Inside) |
| 5 | 1.469 | 22.276 | STUD M6 x 18mm (Inside) |
| 6 | 1.469 | 1.527 | STUD M6 x 18mm (Inside) |
| 7 | 5.719 | 22.276 | STUD M6 x 18mm (Inside) |
| 8 | 5.719 | 1.527 | STUD M6 x 18mm (Inside) |
| 9 | 9.968 | 22.276 | STUD M6 x 18mm (Inside) |
| 10 | 9.968 | 1.527 | STUD M6 x 18mm (Inside) |
| ----- | | | |
| 11 | 10.494 | 19.553 | 880 SCQ4-SLSS6 |
| 12 | 10.494 | 4.250 | 880 SCQ4-SLSS6 |

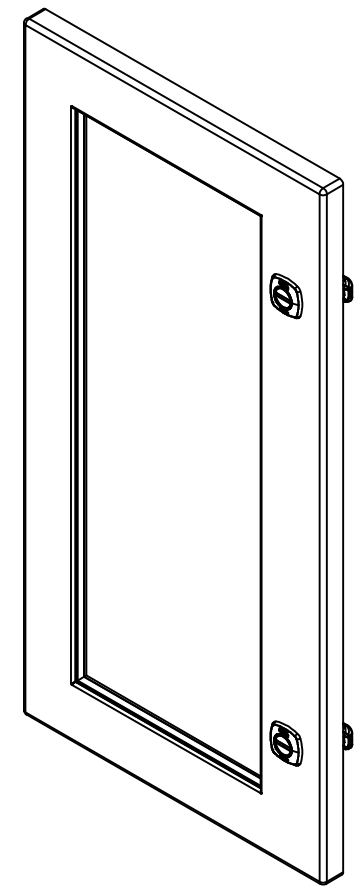


| | | |
|--|-----------------------------|------------------|
| | Description | Status |
| | 5412ESSW 24" x 12" Cover | (NULL) |
| | Part Number Numéro Pièce | Rev. |
| | 5412ESSW2412106NOIPC | 0 / 8 / 9 |

This drawing is confidential and must not be reproduced or used without the consent of EXM

Ce dessin est confidentiel et ne doit pas être reproduit ou utilisé sans le consentement de EXM


| No. | Revisions | Date | By/Par |
|-----|-----------|------|--------|
| | | | |
| | | | |
| | | | |
| | | | |
| | | | |



Isometric View



| QTY | Part Number | Rev | Description |
|------------|-------------------------|-----|--------------------------------------|
| 6 | STK-Q-60701 | 2.1 | 880 WK - Lexan 1/4" Fixing Bracket |
| 1 | STK-A-60703 | 0 | 5412 ESW Lexan Bracket Kit |
| 10 | STK-Q-16053 | 1 | Stud M6 x 23mm Stainless steel |
| 1 | STK-G-02710 | 0 | 880 HWKG - Windows Kit Gasket |
| 1 | 5412ESSW2412106NOIP LXG | 0 | 5412ESSW 24" x 12" Lexan Gasket Part |
| 1 | 5412ESSW2412106NOIP LX | 0 | 5412ESSW 20.375" x 8.125" Lexan Part |
| 1 | 5412ESSW2412106NOIP G | 0 | 5412ESSW 24" x 12" Cover Gasket Part |
| 1 | 5412ESSW2412106NOIP C-P | 0 | 5412ESSW 24" x 12" Cover Part |
| 2 | 880 SCQ4-SLSS6 | 7 | 5412 ESS 1/4 Turn Lock |
| 2 | STK-A-33016 | 0 | 5412 ESS Bended Hinge (Body Part) |
| Parts List | | | |



Tél: (450) 979-4373
Fax: (450) 979-4626
www.exmweb.com

Flatness
Aplatissement
Max 3.0mm

Projection

Customer Client

Drawn By / Dessiné Par: BoxCad: BoxCad

Material / Matière: 16 Ga Stainless Steel 316 (1.4mm)

Color / Couleur: Unpainted

Finish / Fini: Brushed

Description: 5412ESSW 24" x 12" Cover

Part Number / Numéro Pièce: **5412ESSW2412106NOIPC**

| | |
|-------------|-----------|
| Date | 03-Jul-23 |
| Detail Rev. | 9 |
| Rev. | 0 |