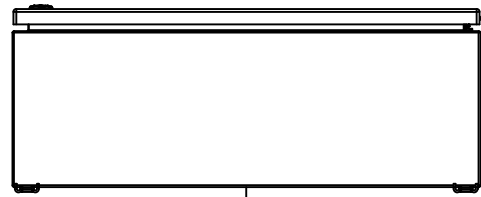
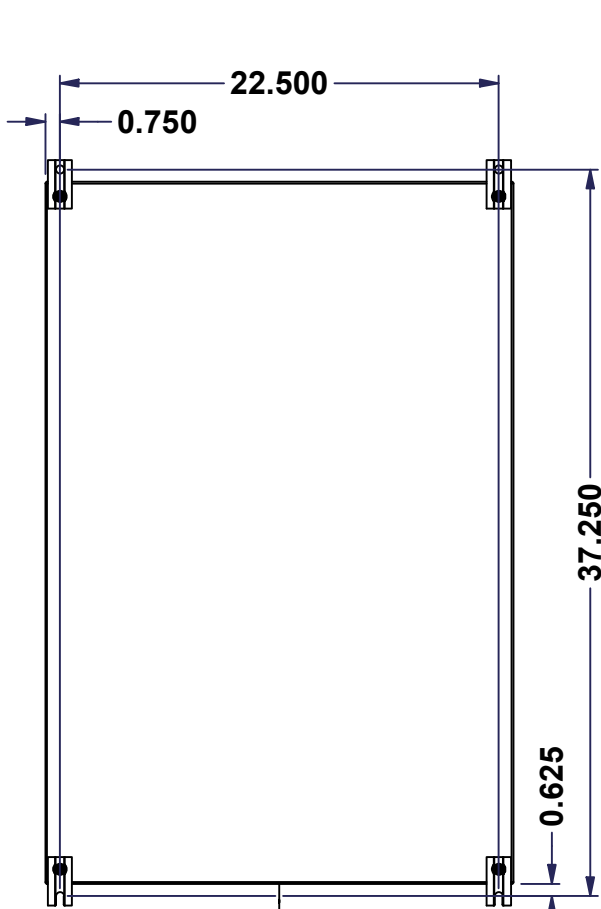


This drawing is confidential and must not be reproduced or used without the consent of EXM

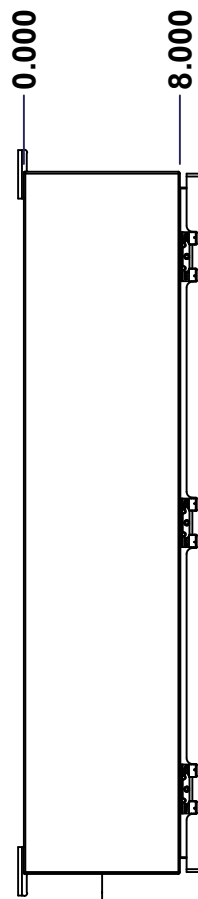
Ce dessin est confidentiel et ne doit pas être reproduit ou utilisé sans le consentement de EXM



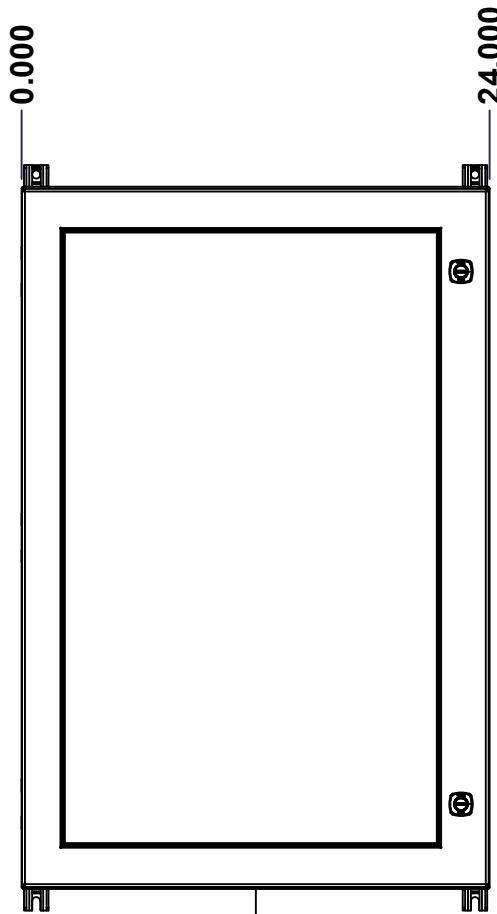
TOP



BACK



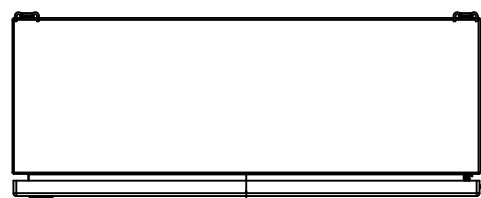
LEFT



FRONT

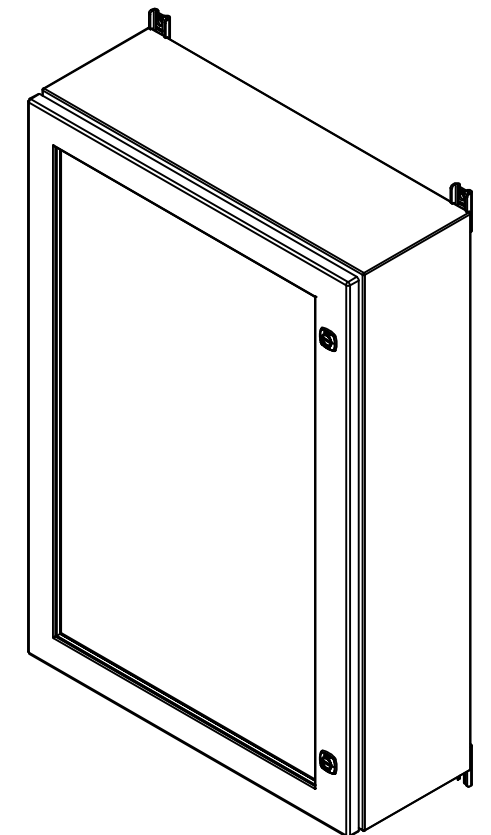


RIGHT



BOTTOM

| No. | Revisions | Date | By/Par |
|-----|-----------|------|--------|
| | | | |
| | | | |
| | | | |
| | | | |



Isometric View



**GRAIN DIRECTION:
TOP/BOTTOM: HORIZONTAL
LEFT/RIGHT/BACK/FRONT: VERTICAL**

| | |
|---|--|
| | Flatness Aplatissement Max 3.0mm |
| | Projection |
| Customer Client | Date |
| Drawn By Dessiné Par BoxCad: BoxCad | Date 13-Jun-23 |
| Material Matière 16 Ga Stainless Steel 304 (1.4mm) | Color Couleur Unpainted |
| Description 5412ESSW 36" x 24" x 8" Assembly | Finish Fini Brushed |
| Part Number Numéro Pièce 5412ESSW362408THNOIP | Detail Rev. Rev. 1 0 |

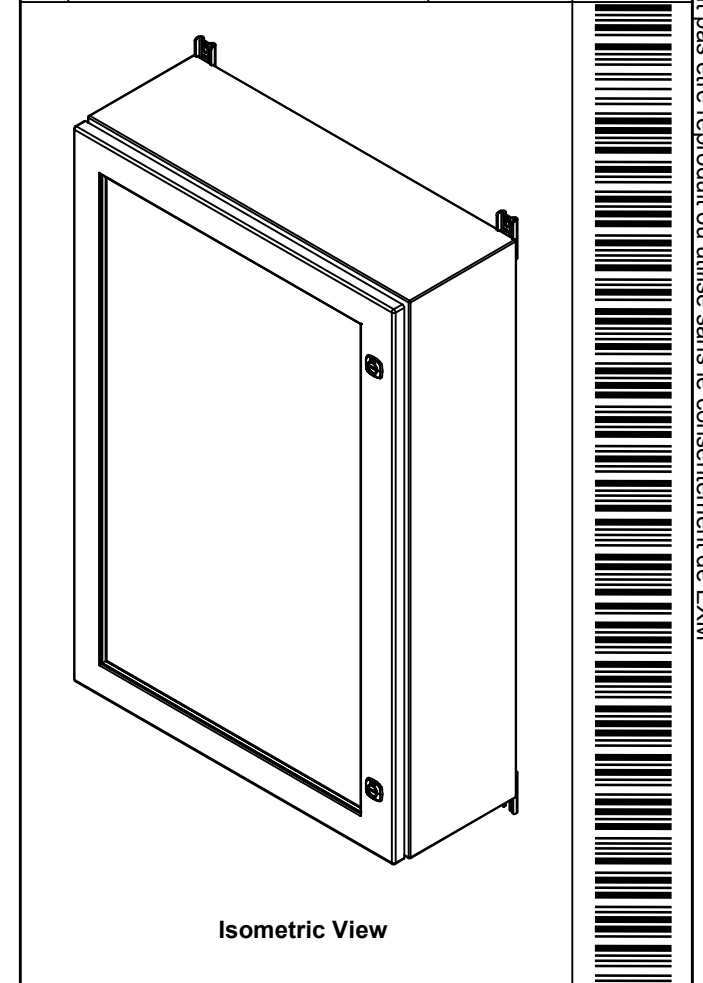
SEE BILL OF MATERIAL ON LAST PAGE

This drawing is confidential and must not be reproduced or used without the consent of EXM

Ce dessin est confidentiel et ne doit pas être reproduit ou utilisé sans le consentement de EXM

| NOTE | |
|------|---|
| ITEM | DESCRIPTION |
| 1 | NEMA 4X Enclosure |
| 2 | C/W Standard ground studs on box and cover |
| 3 | W/O Standard door stiffener |
| 4 | W/O Inner panel |
| 5 | C/W Standard inner panel mounting studs |
| 6 | C/W 885 ESMF4_OPEN Sold separately (Installed) |
| 7 | C/W 885 ESMF4_CLOSE Sold separately (Installed) |
| 8 | C/W R5 Insulation (Installed by EXM) |

| No. | Revisions | Date | By/Par |
|-----|-----------|------|--------|
| | | | |
| | | | |
| | | | |
| | | | |
| | | | |
| | | | |
| | | | |



Tél: (450) 979-4373
Fax: (450) 979-4626
www.exmweb.com

Flatness
Aplatissement
Max 3.0mm

Projection

| | |
|--|----------------|
| Customer Client | Date |
| Drawn By Dessiné Par BoxCad: BoxCad | Date 13-Jun-23 |

Material Matière 16 Ga Stainless Steel 304 (1.4mm)

Color Couleur Unpainted Finish Fini Brushed

Description 5412ESSW 36" x 24" x 8" Assembly

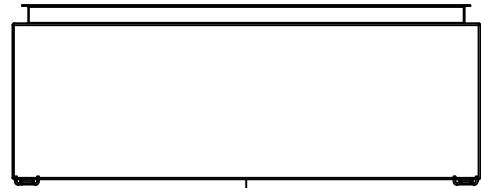
Part Number Numéro Pièce **5412ESSW362408THNOIP** Rev. **0**

| | | | |
|------------|---------------------------|-----|--|
| 6 | STK-Q-00600 | 2 | M12 to M8 Adaptor |
| 1 | STK-K-01800 | 5 | 5412 ES Accessory Kit |
| 1 | 5412ESSW362408THNOI PC | 0 | 5412ESSW 36" x 24" Cover |
| 1 | 5412ESSW362408THNOI PB | 0 | 5412ESSW 36" x 24" x 8" Body |
| 3 | STK-Q-04051-08 | 1 | M6 x 8mm Stainless Steel Hexagon Socket Head Machine Screw with Nyseal |
| Qty | Part Number | Rev | Description |
| Parts List | | | |

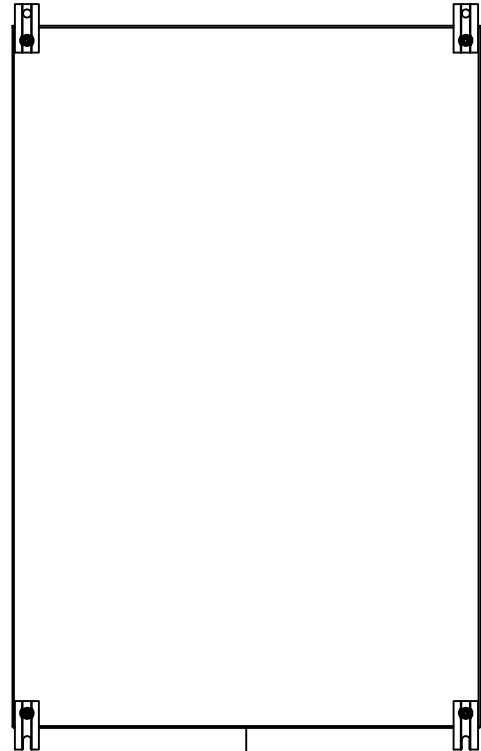
| PACKING | | |
|-----------------------|-----|--|
| ITEM | QTY | DESCRIPTION |
| Cardboard sleeve | 2 | Top and Bottom |
| Cardboard strip | 2 | Between back of enclosure and inner panel |
| Plastic bag | 1 | To protect cover surface and inside gasket |
| Plastic strap - Black | 2 | To Squeeze the 2 cardboard sleeve together |
| Packaging label | 1 | White label with product number |

This drawing is confidential and must not be reproduced or used without the consent of EXM

Ce dessin est confidentiel et ne doit pas être reproduit ou utilisé sans le consentement de EXM



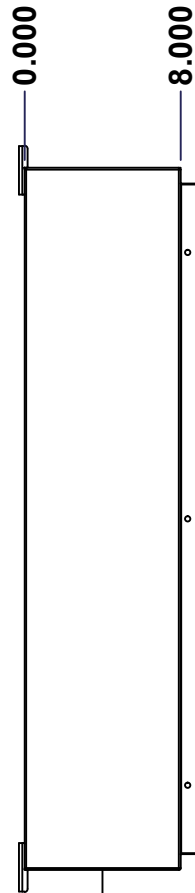
TOP



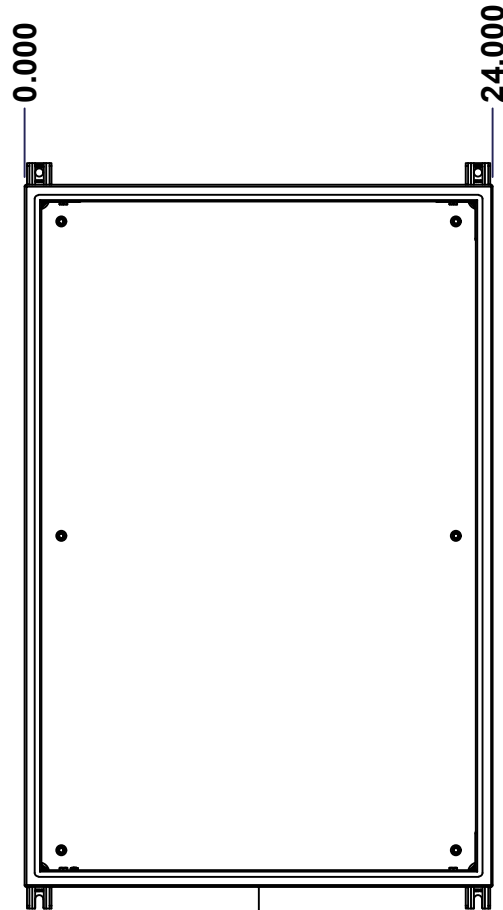
BACK



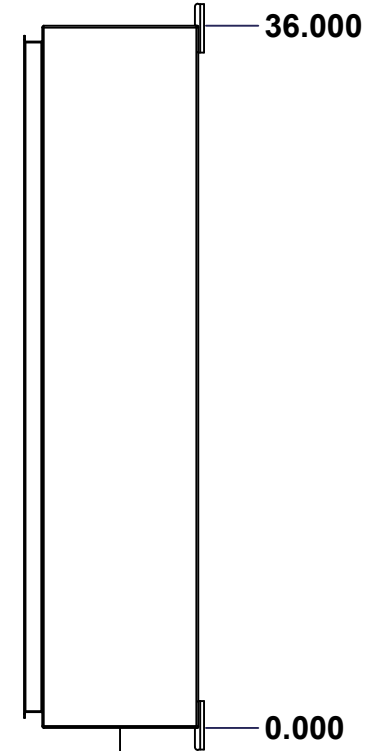
BOTTOM



LEFT

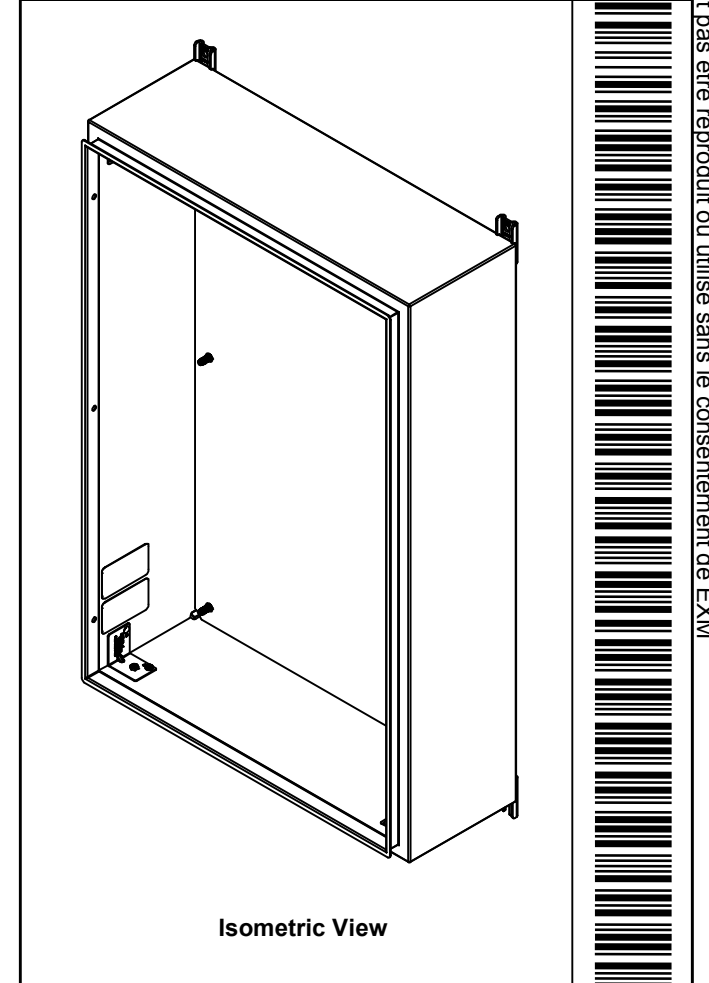


FRONT




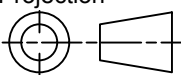
RIGHT

| No. | Revisions | Date | By/Par |
|-----|-----------|------|--------|
| | | | |
| | | | |
| | | | |
| | | | |



Isometric View



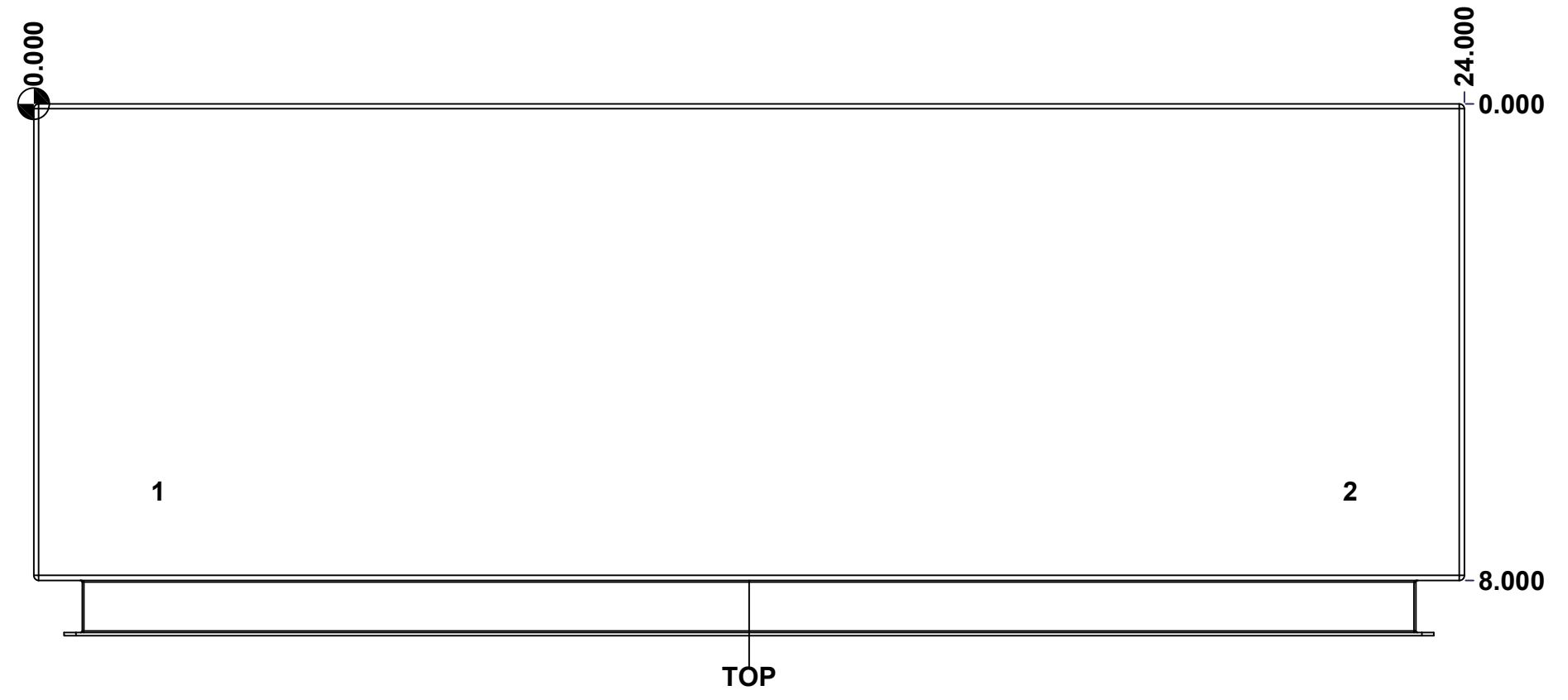
| | | |
|--|-----------------------------------|---|
|  Tél: (450) 979-4373 Fax: (450) 979-4626 www.exmweb.com | | Flatness Aplatissement Max 3.0mm Projection  |
| Customer Client | Date | |
| Drawn By Dessiné Par | BoxCad: BoxCad | Date 13-Jun-23 |
| Material Matière | 16 Ga Stainless Steel 304 (1.4mm) | |
| Color Couleur | Unpainted | Finish Fini Brushed |
| Description | Detail Rev. | |
| 5412ESSW 36" x 24" x 8" Body | | |
| Part Number Numéro Pièce | Rev. 0 | 3 |

SEE BILL OF MATERIAL ON LAST PAGE 5412ESSW362408THNOIPB

This drawing is confidential and must not be reproduced or used without the consent of EXM

Ce dessin est confidentiel et ne doit pas être reproduit ou utilisé sans le consentement de EXM

| STANDARD FEATURES ARE NOT LISTED IN THIS HOLE TABLE | | | |
|---|--------|-------|--------------------------------|
| HOLE TABLE - TOP VIEW (CUSTOM FEATURE ONLY) | | | |
| CUT-OUT | XDIM | YDIM | DESCRIPTION |
| 1 | 2.000 | 6.500 | INSUL. STUD M6 x 18mm (Inside) |
| 2 | 22.000 | 6.500 | INSUL. STUD M6 x 18mm (Inside) |



| | | | |
|--|------------------------------|--|--------|
| | Description | | Status |
| | 5412ESSW 36" x 24" x 8" Body | | (NULL) |
| | Part Number Numéro Pièce | | Rev. |
| | 5412ESSW362408THNOIPB | | 4 0 |
| | | | 15 |

This drawing is confidential and must not be reproduced or used without the consent of EXM

Ce dessin est confidentiel et ne doit pas être reproduit ou utilisé sans le consentement de EXM

| STANDARD FEATURES ARE NOT LISTED IN THIS HOLE TABLE | | | |
|--|--------|-------|--------------------------------|
| HOLE TABLE - BOTTOM VIEW (CUSTOM FEATURE ONLY) | | | |
| CUT-OUT | XDIM | YDIM | DESCRIPTION |
| 1 | 2.000 | 6.500 | INSUL. STUD M6 x 18mm (Inside) |
| 2 | 22.000 | 6.500 | INSUL. STUD M6 x 18mm (Inside) |



| | | |
|--|------------------------------|----------|
| | Description | Status |
| | 5412ESSW 36" x 24" x 8" Body | (NULL) |
| | Part Number Numéro Pièce | Rev. |
| | 5412ESSW362408THNOIP | 0 |
| | | 5 |
| | | 15 |

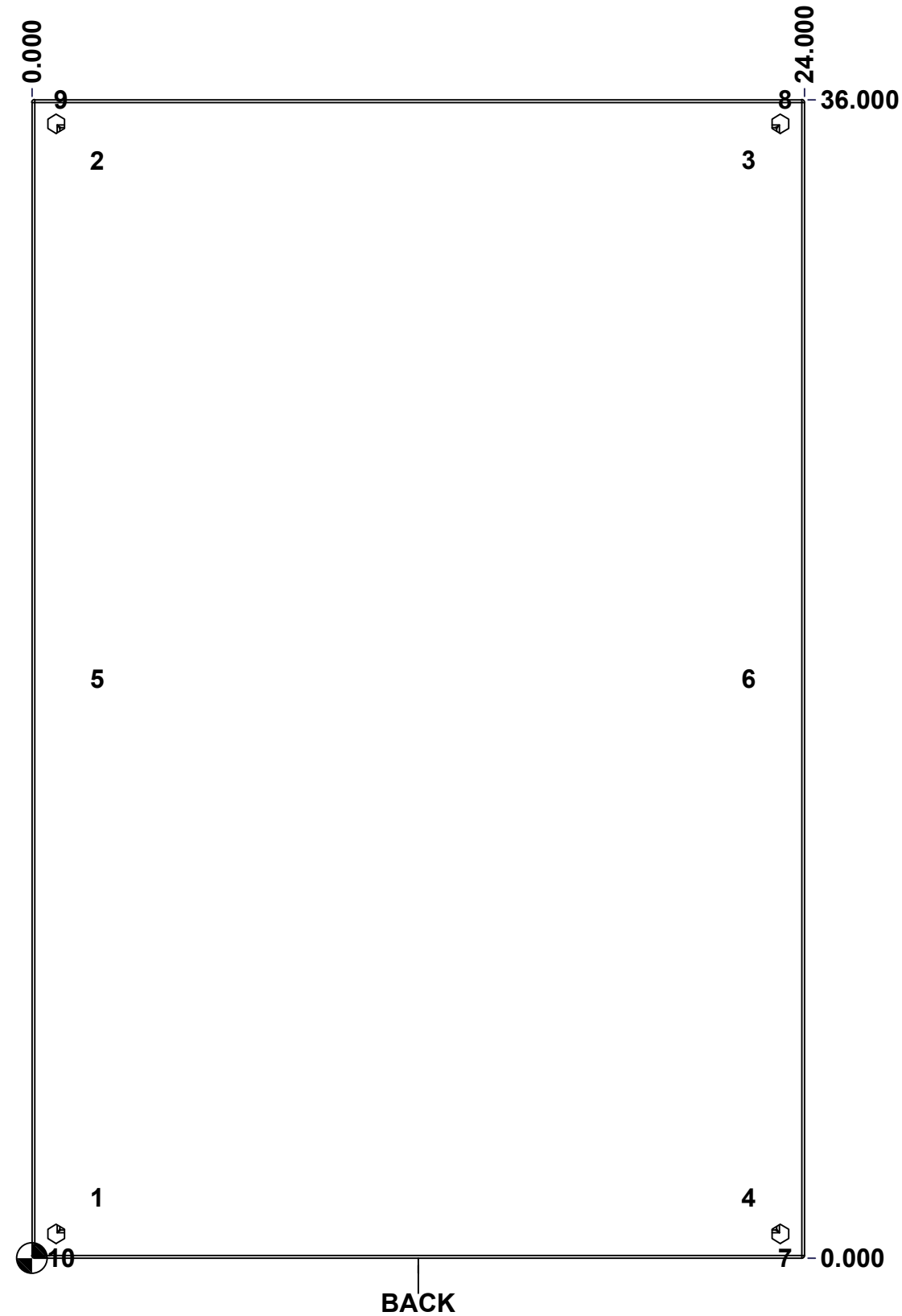
This drawing is confidential and must not be reproduced or used without the consent of EXM

Ce dessin est confidentiel et ne doit pas être reproduit ou utilisé sans le consentement de EXM

STANDARD FEATURES ARE NOT LISTED IN THIS HOLE TABLE

HOLE TABLE - BACK VIEW (CUSTOM FEATURE ONLY)

| CUT-OUT | XDIM | YDIM | DESCRIPTION |
|---------|--------|--------|----------------------------|
| 1 | 1.875 | 1.875 | IP STUD M8 x 35mm (Inside) |
| 2 | 1.875 | 34.125 | IP STUD M8 x 35mm (Inside) |
| 3 | 22.125 | 34.125 | IP STUD M8 x 35mm (Inside) |
| 4 | 22.125 | 1.875 | IP STUD M8 x 35mm (Inside) |
| 5 | 1.875 | 18.000 | IP STUD M8 x 35mm (Inside) |
| 6 | 22.125 | 18.000 | IP STUD M8 x 35mm (Inside) |
| ----- | | | |
| 7 | 23.250 | 0.000 | FOOT 885 ESMF4_OPEN |
| 8 | 23.250 | 36.000 | FOOT 885 ESMF4_CLOSE |
| 9 | 0.750 | 36.000 | FOOT 885 ESMF4_CLOSE |
| 10 | 0.750 | 0.000 | FOOT 885 ESMF4_OPEN |

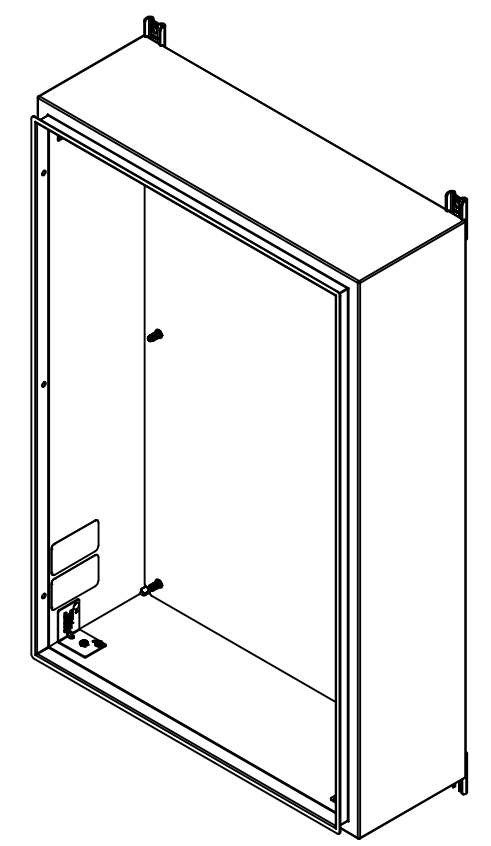


| | | |
|---|------------------------------|--------|
| | Description | Status |
| | 5412ESSW 36" x 24" x 8" Body | (NULL) |
| Part Number Numéro Pièce 5412ESSW362408THNOIPB | Rev. | 6 |
| | 0 | 15 |

This drawing is confidential and must not be reproduced or used without the consent of EXM

Ce dessin est confidentiel et ne doit pas être reproduit ou utilisé sans le consentement de EXM

| No. | Revisions | Date | By/Par |
|-----|-----------|------|--------|
| | | | |
| | | | |
| | | | |
| | | | |
| | | | |




Isometric View



| | | | |
|---|---------------------------|---|---|
| 2 | 885ESMF4-FEET | 0 | 885 ESMF4 Stainless Steel Mounting Foot |
| 4 | RIVET_NUT_SS_M10_FH_CE | 0 | Stainless Steel Rivet Nut M10 (Low Profile Close End) |
| 4 | STK-Q-06670 | 2 | M10 x 16mm Stainless Steel Machine Screw |
| 2 | 885ESMF4-FEET-A | 0 | 885 ESMF4 Stainless Steel Mounting Foot (Opened Slot) |
| 2 | STK-S-00100 | 0 | 3.5" x 2" Silver Milar Flexcon Sticker |
| 1 | STK-K-70554 | 3 | 5412 ESTH Accessory Kit |
| 1 | 5412ESSW362408THNOI-PI-RS | 0 | 5412ESSW 36" x 24" Right Insulation |
| 1 | 5412ESSW362408THNOI-PI-LS | 0 | 5412ESSW 36" x 24" Left Insulation |
| 1 | 5412ESSW362408THNOI-PI-BT | 0 | 5412ESSW 36" x 24" Top and Bottom Insulation |
| 1 | 5412ESSW362408THNOI-PI-TP | 0 | 5412ESSW 36" x 24" Top and Bottom Insulation |
| 1 | 5412ESSW362408THNOI-PI-B | 0 | 5412ESSW 36" x 24" Back Insulation |
| 4 | STK-Q-16070 | 1 | Stud M6 x 18mm Stainless steel |
| 6 | STK-Q-16020 | 1 | Stud M8 x 35mm Stainless Steel |
| 1 | 5412ESSW362408THNOI-PB-P | 0 | 5412ESSW 36" x 24" x 8" Body Part |

| Qty | Part Number | Rev | Description |
|------------|-------------|-----|-------------|
| Parts List | | | |



Tél: (450) 979-4373
Fax: (450) 979-4626
www.exmweb.com

Flatness
Aplatissement
Max 3.0mm

Projection

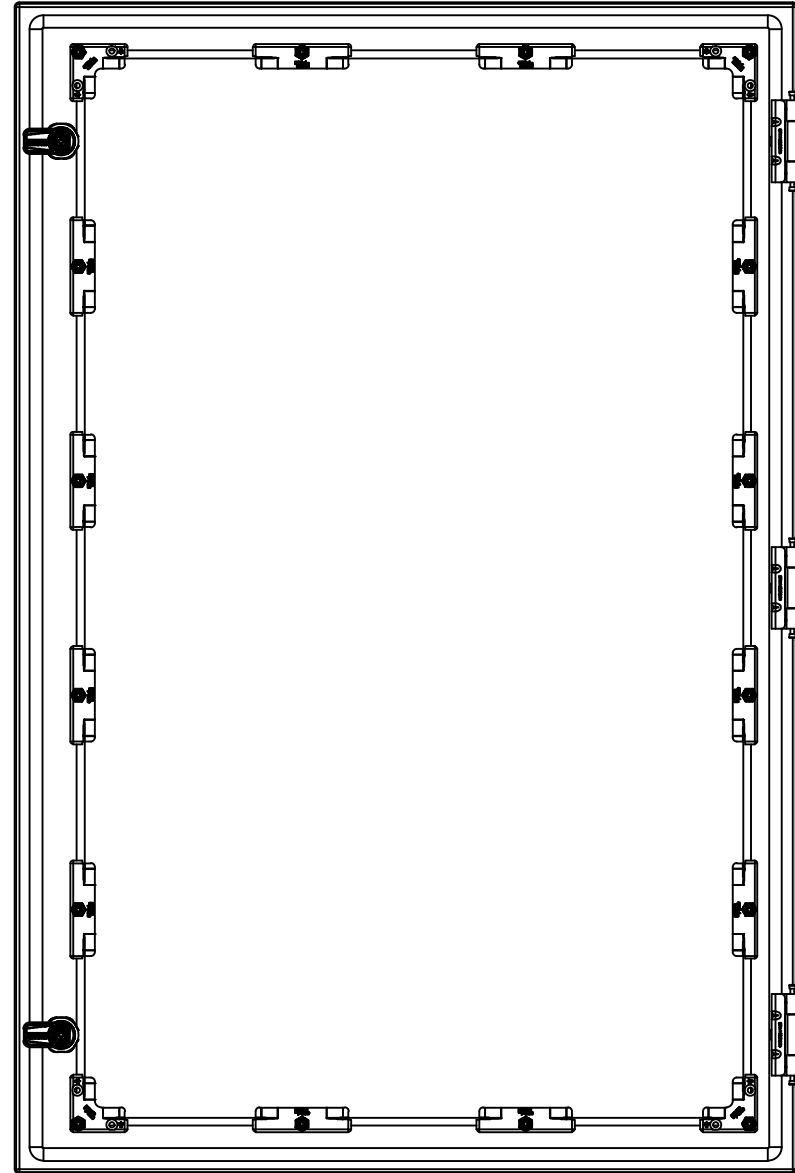
| | |
|--|----------------------|
| Customer Client | Date |
| Drawn By Dessiné Par: BoxCad: BoxCad | Date: 13-Jun-23 |
| Material Matière: 16 Ga Stainless Steel 304 (1.4mm) | |
| Color Couleur: Unpainted | Finish Fini: Brushed |
| Description: 5412ESSW 36" x 24" x 8" Body | Detail Rev. |
| Part Number Numéro Pièce: 5412ESSW362408THNOIPB | Rev. 0 |

This drawing is confidential and must not be reproduced or used without the consent of EXM

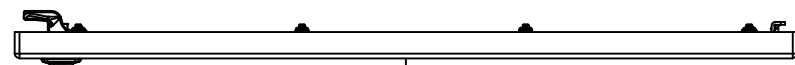
Ce dessin est confidentiel et ne doit pas être reproduit ou utilisé sans le consentement de EXM



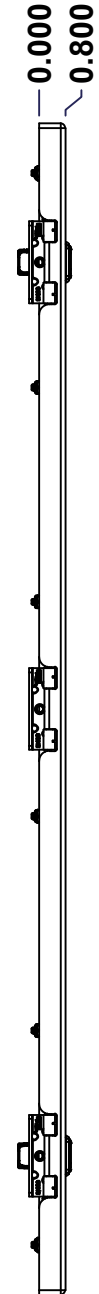
TOP



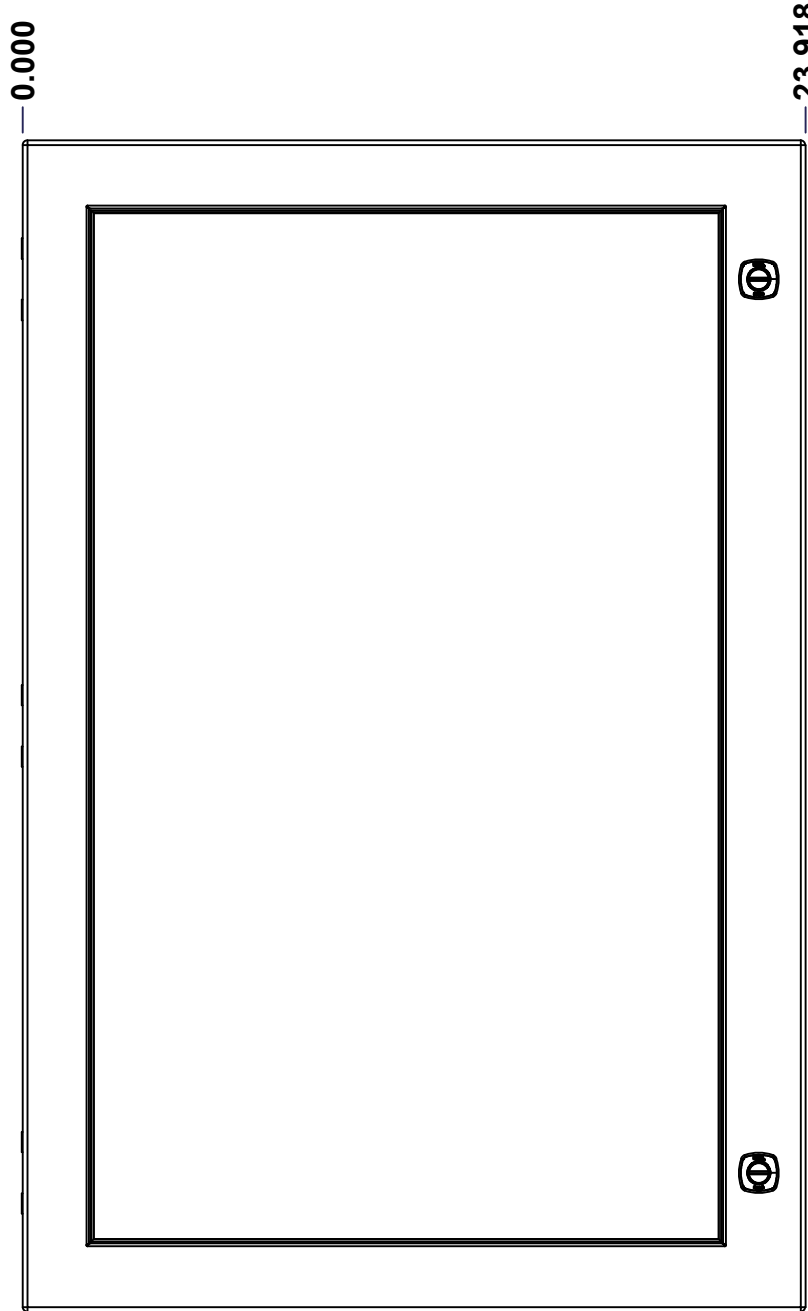
BACK



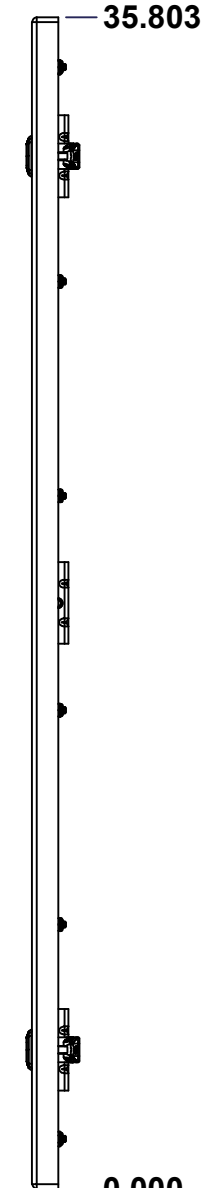
BOTTOM



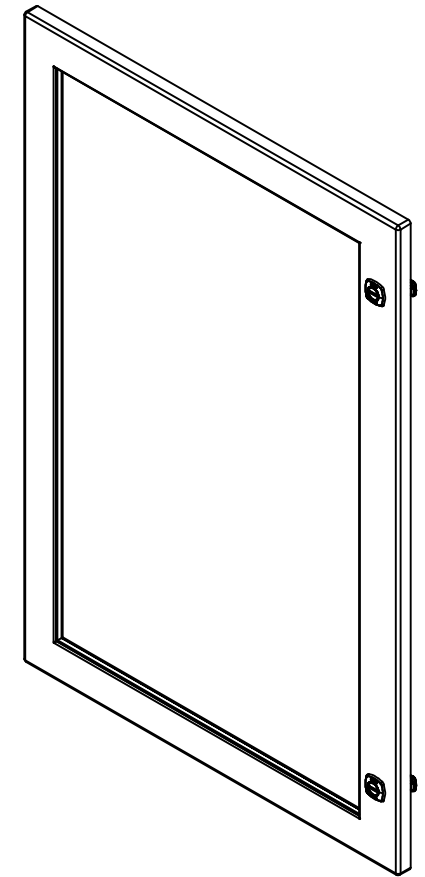
LEFT



FRONT



RIGHT



Isometric View

| No. | Revisions | Date | By/Par |
|-----|-----------|------|--------|
| | | | |
| | | | |
| | | | |
| | | | |



Tél: (450) 979-4373
 Fax: (450) 979-4626
www.exmweb.com

Flatness
Aplatissement
Max 3.0mm
Projection

| | |
|---|------------------------|
| Customer Client | Date |
| Drawn By Dessiné Par BoxCad: BoxCad | Date 13-Jun-23 |
| Material Matière 16 Ga Stainless Steel 304 (1.4mm) | |
| Color Couleur Unpainted | Finish Fini Brushed |
| Description 5412ESSW 36" x 24" Cover | Detail Rev. |
| Part Number Numéro Pièce | Rev. 8 |

SEE BILL OF MATERIAL ON LAST PAGE 5412ESSW362408THNOIPC 0 15

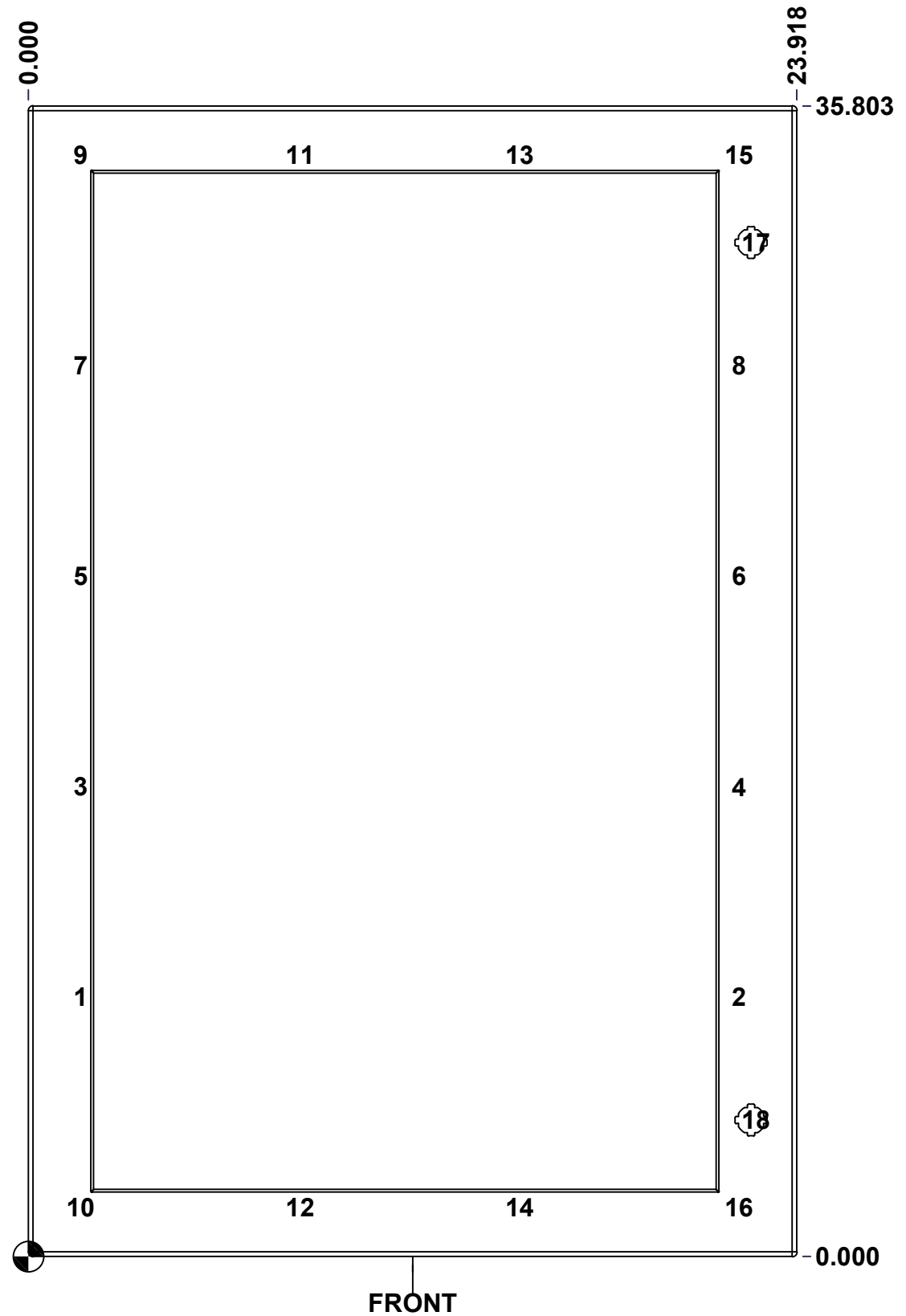
This drawing is confidential and must not be reproduced or used without the consent of EXM

Ce dessin est confidentiel et ne doit pas être reproduit ou utilisé sans le consentement de EXM

STANDARD FEATURES ARE NOT LISTED IN THIS HOLE TABLE

HOLE TABLE - FRONT VIEW (CUSTOM FEATURE ONLY)

| CUT-OUT | XDIM | YDIM | DESCRIPTION |
|---------|--------|--------|-------------------------|
| 1 | 1.469 | 8.077 | STUD M6 x 18mm (Inside) |
| 2 | 21.968 | 8.077 | STUD M6 x 18mm (Inside) |
| 3 | 1.469 | 14.627 | STUD M6 x 18mm (Inside) |
| 4 | 21.968 | 14.627 | STUD M6 x 18mm (Inside) |
| 5 | 1.469 | 21.176 | STUD M6 x 18mm (Inside) |
| 6 | 21.968 | 21.176 | STUD M6 x 18mm (Inside) |
| 7 | 1.469 | 27.726 | STUD M6 x 18mm (Inside) |
| 8 | 21.968 | 27.726 | STUD M6 x 18mm (Inside) |
| 9 | 1.469 | 34.276 | STUD M6 x 18mm (Inside) |
| 10 | 1.469 | 1.527 | STUD M6 x 18mm (Inside) |
| 11 | 8.302 | 34.276 | STUD M6 x 18mm (Inside) |
| 12 | 8.302 | 1.527 | STUD M6 x 18mm (Inside) |
| 13 | 15.135 | 34.276 | STUD M6 x 18mm (Inside) |
| 14 | 15.135 | 1.527 | STUD M6 x 18mm (Inside) |
| 15 | 21.968 | 34.276 | STUD M6 x 18mm (Inside) |
| 16 | 21.968 | 1.527 | STUD M6 x 18mm (Inside) |
| ----- | | | |
| 17 | 22.494 | 31.553 | 880 SCQ4-SLSS6 |
| 18 | 22.494 | 4.250 | 880 SCQ4-SLSS6 |

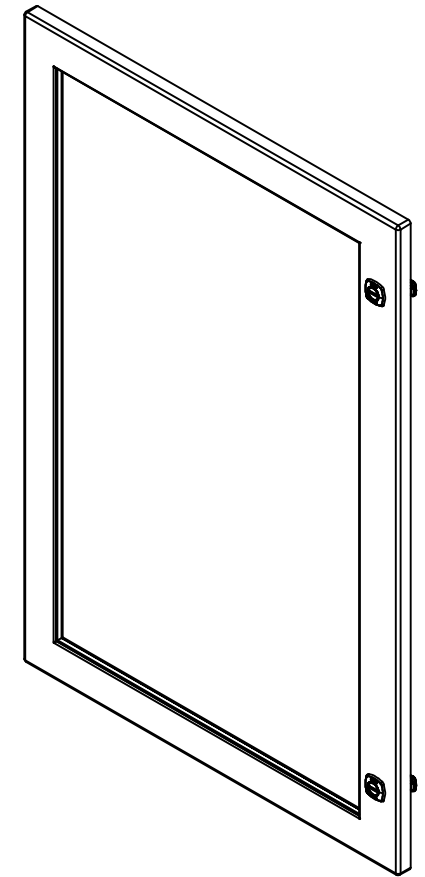


| | | |
|--|------------------------------|----------|
| | Description | Status |
| | 5412ESSW 36" x 24" Cover | (NULL) |
| | Part Number | Rev. |
| | Numéro Pièce | 9 |
| | 5412ESSW362408THNOIPC | 0 |
| | | 15 |

This drawing is confidential and must not be reproduced or used without the consent of EXM

Ce dessin est confidentiel et ne doit pas être reproduit ou utilisé sans le consentement de EXM


| No. | Revisions | Date | By/Par |
|-----|-----------|------|--------|
| | | | |
| | | | |
| | | | |
| | | | |
| | | | |



Isometric View



| QTY | Part Number | Rev | Description |
|-----|-----------------------------|-----|---------------------------------------|
| 12 | STK-Q-60701 | 2.1 | 880 WK - Lexan 1/4" Fixing Bracket |
| 1 | STK-A-60703 | 0 | 5412 ESW Lexan Bracket Kit |
| 16 | STK-Q-16053 | 1 | Stud M6 x 23mm Stainless steel |
| 1 | STK-G-02710 | 0 | 880 HWKG - Windows Kit Gasket |
| 1 | 5412ESSW362408THNOI PLXG | 0 | 5412ESSW 36" x 24" Lexan Gasket Part |
| 1 | 5412ESSW362408THNOI PLX | 0 | 5412ESSW 32.375" x 20.125" Lexan Part |
| 1 | 5412ESSW362408THNOI PG | 0 | 5412ESSW 36" x 24" Cover Gasket Part |
| 1 | 5412ESSW362408THNOI PC-P | 0 | 5412ESSW 36" x 24" Cover Part |
| 2 | 880 SCQ4-SLSS6 | 7 | 5412 ESS 1/4 Turn Lock |
| 3 | STK-A-33016 | 0 | 5412 ESS Bended Hinge (Body Part) |
| | | | |
| | | | |



Tél: (450) 979-4373
Fax: (450) 979-4626
www.exmweb.com

Flatness
Aplatissement
Max 3.0mm

Projection

Customer Client

Drawn By / Dessiné Par: BoxCad: BoxCad

Material / Matière: 16 Ga Stainless Steel 304 (1.4mm)

Color / Couleur: Unpainted

Finish / Fini: Brushed

Description: 5412ESSW 36" x 24" Cover

Part Number / Numéro Pièce: **5412ESSW362408THNOIPC**

Date

Date: 13-Jun-23

Detail Rev.

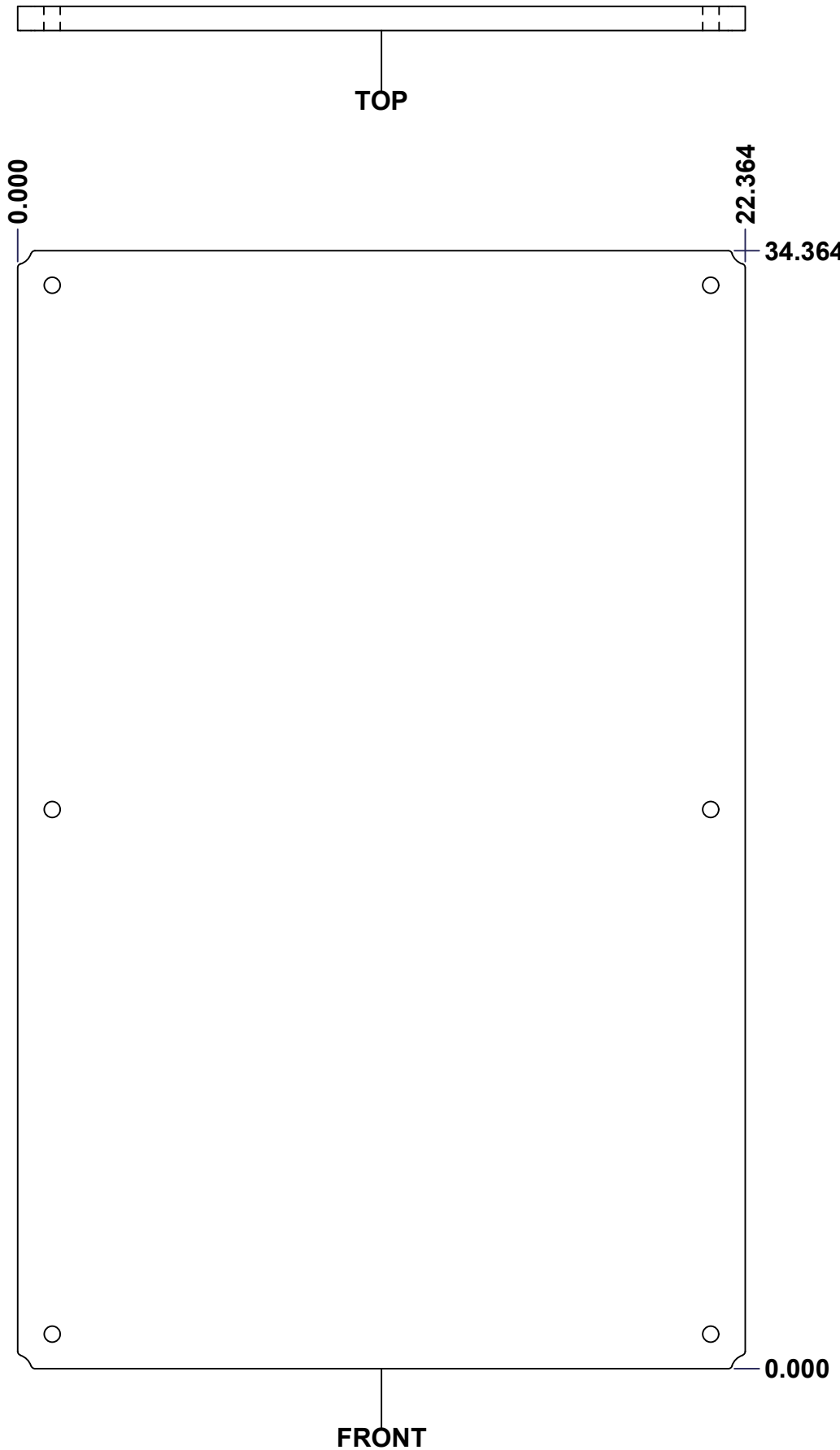
Rev. 10

0

15

This drawing is confidential and must not be reproduced or used without the consent of EXM

Ce dessin est confidentiel et ne doit pas être reproduit ou utilisé sans le consentement de EXM



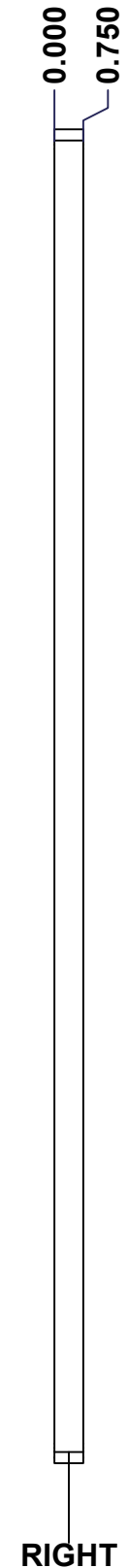
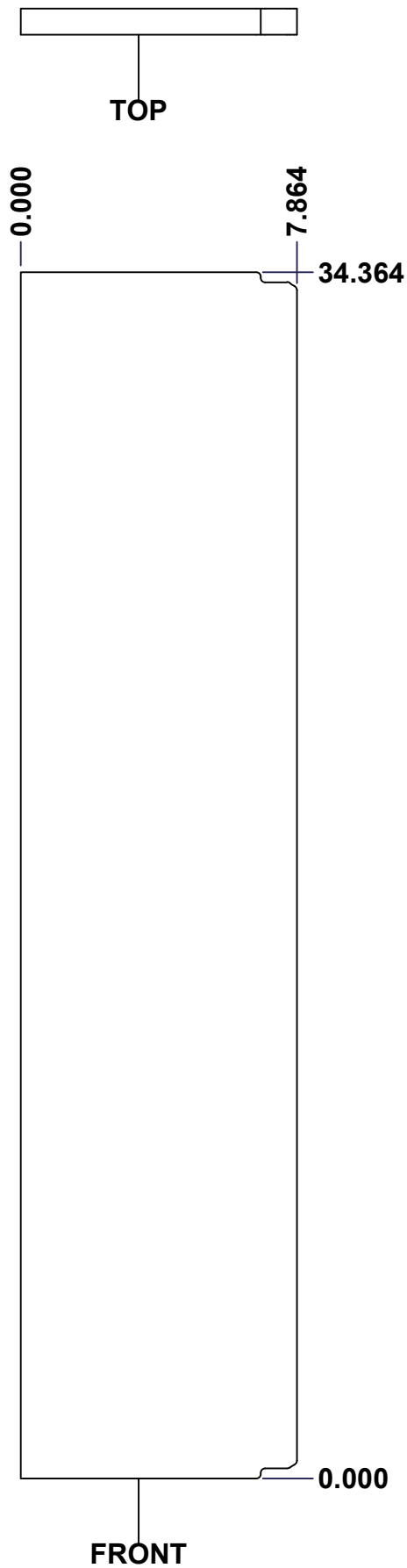
| No. | Revisions | Date | By/Par |
|-----|-----------|------|--------|
| | | | |
| | | | |
| | | | |
| | | | |
| | | | |

Isometric View

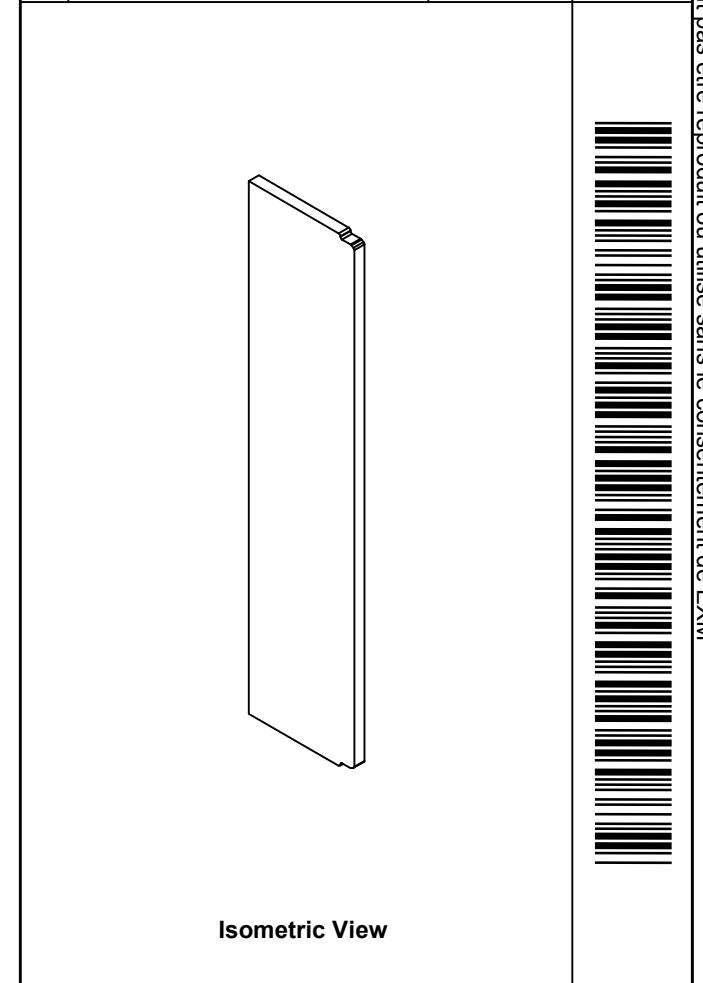
| | | | |
|---|----------|---------------------------|-----|
| <p>Tél: (450) 979-4373 Fax: (450) 979-4626 www.exmweb.com</p> | | Flatness Aplatissement | |
| | | Max 3.0mm | |
| Customer Client | | Date | |
| Drawn By Dessiné Par | | Date | |
| Material Matière | | Polyisocyanurate | |
| Color Couleur | Aluminum | Finish Fini | N/A |
| Description | | Detail Rev. | |
| 5412ESSW 36" x 24" Back Insulation | | | |
| Part Number Numéro Pièce | | Rev. | 11 |
| SEE BILL OF MATERIAL ON LAST PAGE | | 5412ESSW362408THNOIP-B | 0 |

This drawing is confidential and must not be reproduced or used without the consent of EXM


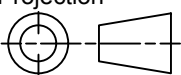
Ce dessin est confidentiel et ne doit pas être reproduit ou utilisé sans le consentement de EXM



| No. | Revisions | Date | By/Par |
|-----|-----------|------|--------|
| | | | |
| | | | |
| | | | |
| | | | |
| | | | |

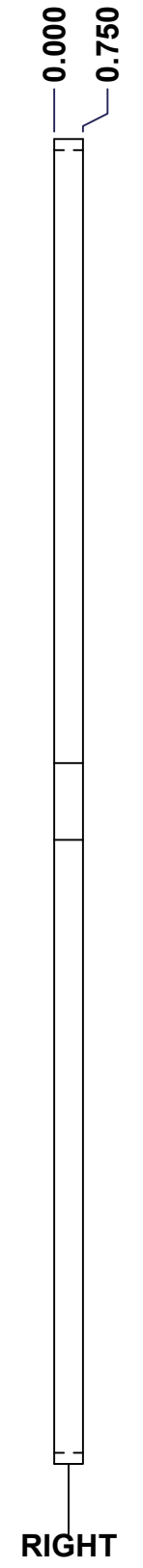
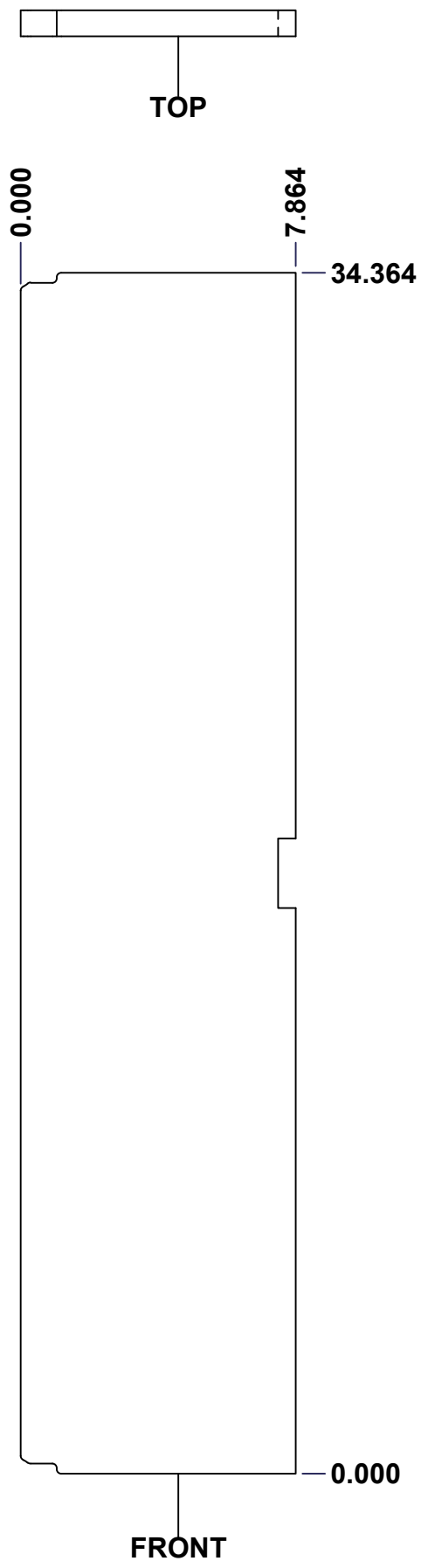


Isometric View

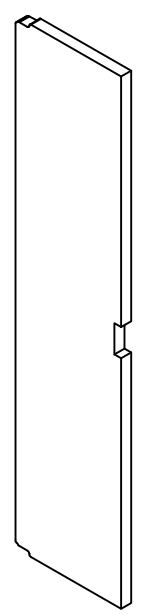
| | | |
|--|--------------------|--|
|  Tél: (450) 979-4373 Fax: (450) 979-4626 www.exmweb.com | | Flatness Aplatissement Max 3.0mm |
| Projection  | | Date 23-Jan-07 |
| Customer Client | Date | |
| Drawn By / Dessiné Par: BoxCad: Patrick Deschenes | Date: 23-Jan-07 | |
| Material / Matière: Polyisocyanurate | Date | |
| Color / Couleur: Aluminum | Finish / Fini: N/A | Date |
| Description: 5412ESSW 36" x 24" Left Insulation | | Detail Rev. |
| Part Number / Numéro Pièce: 5412ESSW362408THNOIPI-LS | Rev.: | 12 |
| SEE BILL OF MATERIAL ON LAST PAGE | | 15 |

This drawing is confidential and must not be reproduced or used without the consent of EXM

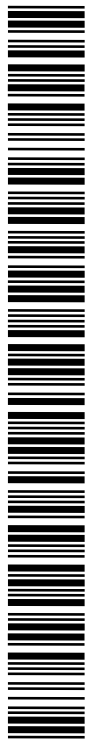
Ce dessin est confidentiel et ne doit pas être reproduit ou utilisé sans le consentement de EXM


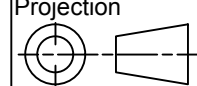


| No. | Revisions | Date | By/Par |
|-----|-----------|------|--------|
| | | | |
| | | | |
| | | | |
| | | | |
| | | | |



Isometric View



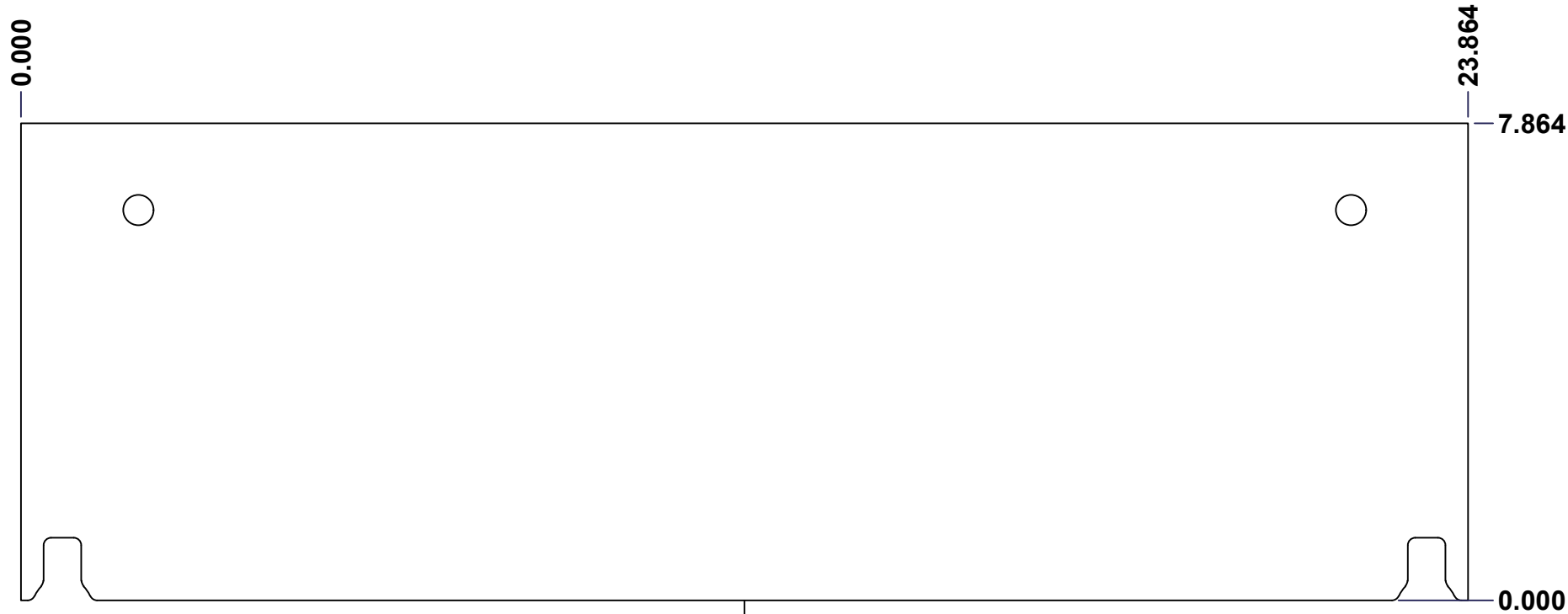
| | | |
|--|---------------------------|---|
|  Tél: (450) 979-4373 Fax: (450) 979-4626 www.exmweb.com | | Flatness Aplatissement Max 3.0mm Projection  |
| Customer Client | Date | |
| Drawn By Dessiné Par | BoxCad: Patrick Deschenes | Date 23-Jan-07 |
| Material Matière | Polyisocyanurate | |
| Color Couleur | Aluminum | Finish Fini N/A |
| Description | Detail Rev. | |
| 5412ESSW 36" x 24" Right Insulation | | |
| Part Number Numéro Pièce | Rev. | 13 |
| SEE BILL OF MATERIAL ON LAST PAGE 5412ESSW362408THNOIPI-RS 0 | | 15 |

This drawing is confidential and must not be reproduced or used without the consent of EXM

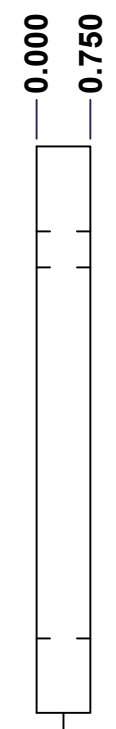
Ce dessin est confidentiel et ne doit pas être reproduit ou utilisé sans le consentement de EXM



TOP

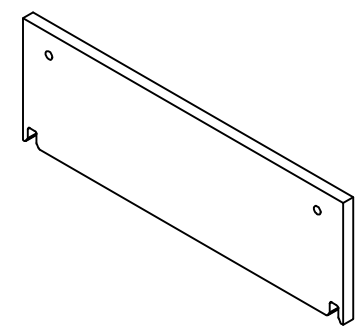


FRONT



RIGHT

| No. | Revisions | Date | By/Par |
|-----|-----------|------|--------|
| | | | |
| | | | |
| | | | |
| | | | |
| | | | |



Isometric View



Tél: (450) 979-4373
 Fax: (450) 979-4626
www.exmweb.com

Flatness
Aplatissement
Max 3.0mm
Projection

| | |
|---|--------------------|
| Customer Client | Date |
| Drawn By / Dessiné Par: BoxCad: Patrick Deschenes | Date: 23-Jan-07 |
| Material / Matière: Polyisocyanurate | |
| Color / Couleur: Aluminum | Finish / Fini: N/A |
| Description: 5412ESSW 36" x 24" Top and Bottom Insulation | Detail Rev. |

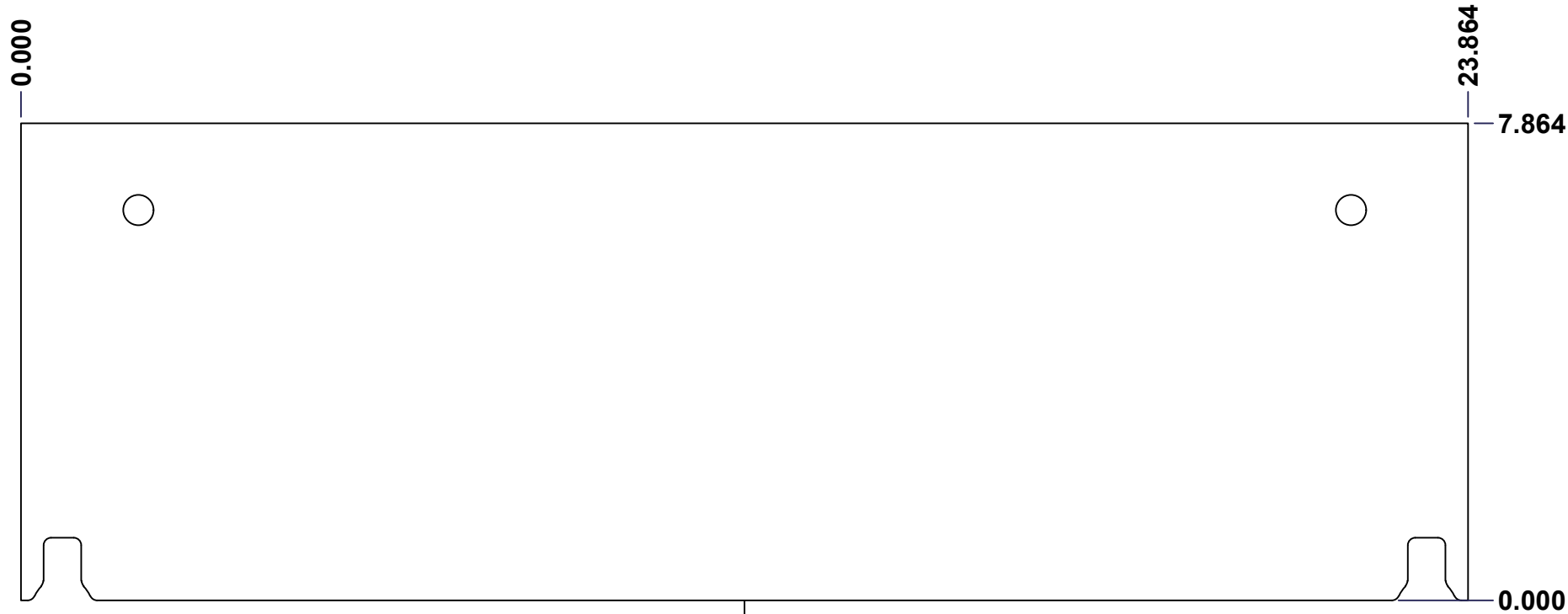
| | | |
|--|------|----|
| Part Number / Numéro Pièce | Rev. | 14 |
| SEE BILL OF MATERIAL ON LAST PAGE 5412ESSW362408THNOIPI-TP 0 | | 15 |

This drawing is confidential and must not be reproduced or used without the consent of EXM

Ce dessin est confidentiel et ne doit pas être reproduit ou utilisé sans le consentement de EXM



TOP

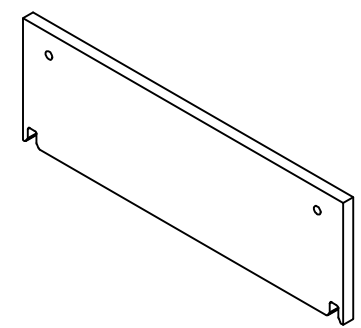


FRONT



RIGHT

| No. | Revisions | Date | By/Par |
|-----|-----------|------|--------|
| | | | |
| | | | |
| | | | |
| | | | |
| | | | |



Isometric View



Tél: (450) 979-4373
 Fax: (450) 979-4626
www.exmweb.com

Flatness
Aplatissement
Max 3.0mm
Projection

| | |
|---|--------------------|
| Customer Client | Date |
| Drawn By / Dessiné Par: BoxCad: Patrick Deschenes | Date: 23-Jan-07 |
| Material / Matière: Polyisocyanurate | |
| Color / Couleur: Aluminum | Finish / Fini: N/A |
| Description: 5412ESSW 36" x 24" Top and Bottom Insulation | Detail Rev. |
| Part Number / Numéro Pièce | Rev. 15 |

SEE BILL OF MATERIAL ON LAST PAGE 5412ESSW362408THNOIPI-BT 0