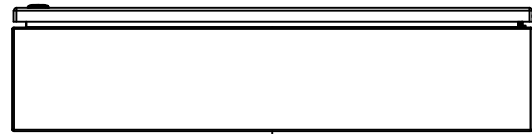
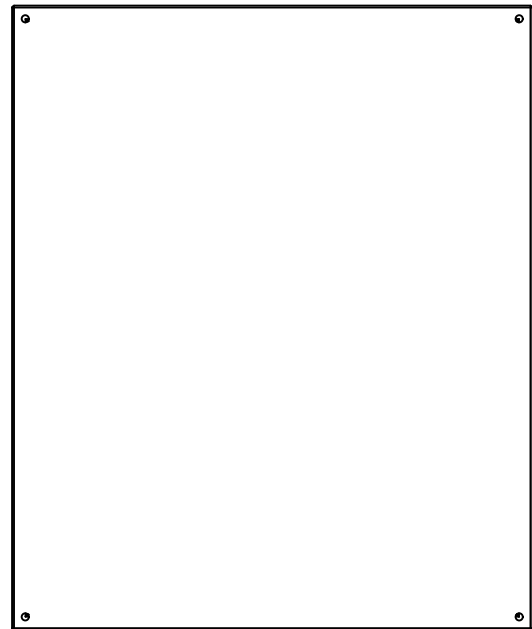


This drawing is confidential and must not be reproduced or used without the consent of EXM

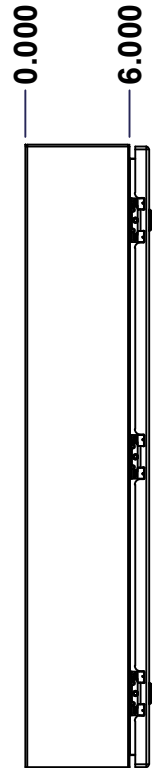
Ce dessin est confidentiel et ne doit pas être reproduit ou utilisé sans le consentement de EXM



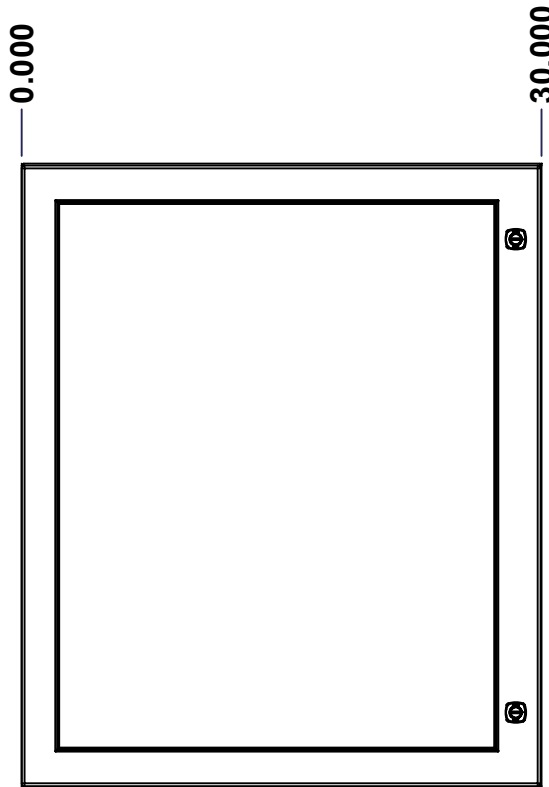
TOP



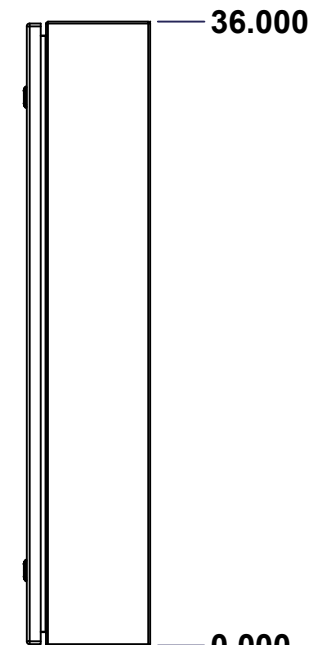
BACK



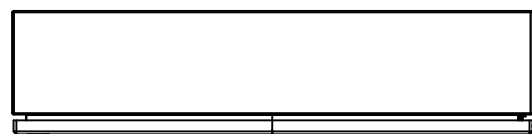
LEFT



FRONT

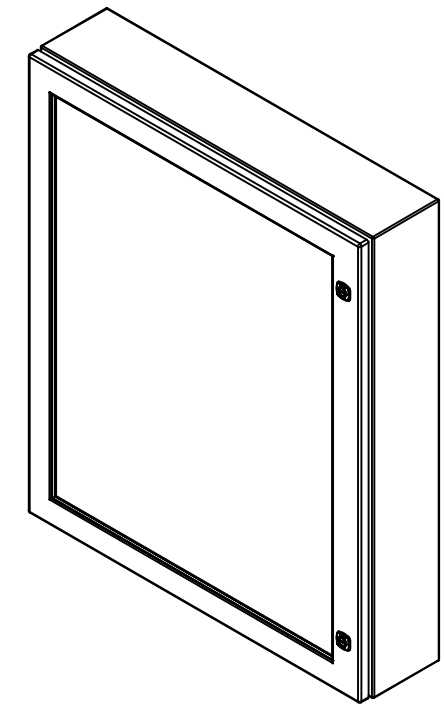


RIGHT



BOTTOM

| No. | Revisions | Date | By/Par |
|-----|-----------|------|--------|
| | | | |
| | | | |
| | | | |
| | | | |


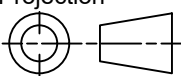


Isometric View



**GRAIN DIRECTION:
TOP/BOTTOM: HORIZONTAL
LEFT/RIGHT/BACK/FRONT: VERTICAL**

SEE BILL OF MATERIAL ON LAST PAGE

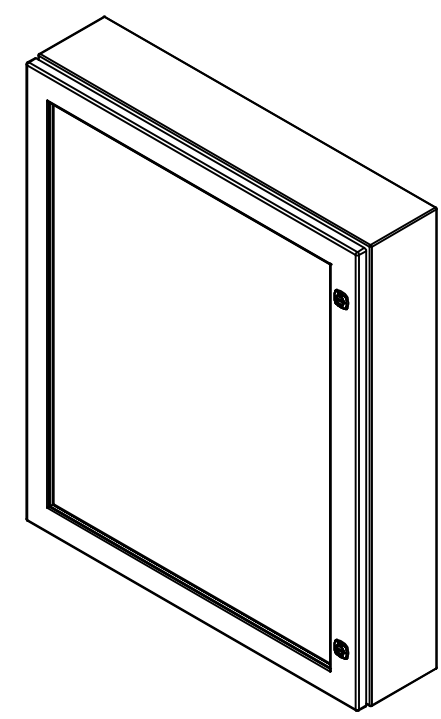
| | | |
|--|-----------------------------------|---|
|  Tél: (450) 979-4373 Fax: (450) 979-4626 www.exmweb.com | | Flatness Aplatissement Max 3.0mm Projection  |
| Customer Client | Date | |
| Drawn By Dessiné Par | BoxCad: BoxCad | Date 26-Jun-23 |
| Material Matière | 14 Ga Stainless Steel 304 (1.7mm) | |
| Color Couleur | Unpainted | Finish Fini Brushed |
| Description | Detail Rev. | |
| 5412ESSW 36" x 30" x 6" Assembly | | |
| Part Number Numéro Pièce | Rev. | 1 |
| 5412ESSW363006NOIP | 0 | 9 |

This drawing is confidential and must not be reproduced or used without the consent of EXM

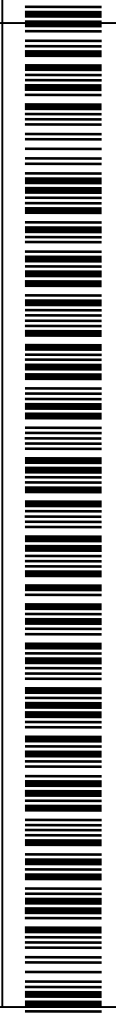
Ce dessin est confidentiel et ne doit pas être reproduit ou utilisé sans le consentement de EXM

| NOTE | |
|------|--|
| ITEM | DESCRIPTION |
| 1 | NEMA 4X Enclosure |
| 2 | C/W Standard ground studs on box and cover |
| 3 | W/O Standard door stiffener |
| 4 | W/O Inner panel |
| 5 | C/W Standard inner panel mounting studs |

| No. | Revisions | Date | By/Par |
|-----|-----------|------|--------|
| | | | |
| | | | |
| | | | |
| | | | |
| | | | |
| | | | |



Isometric View



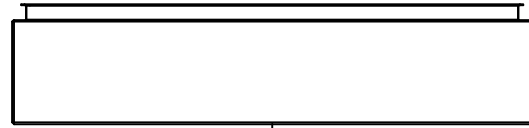
| | | |
|----------------------------------|--|--|
| | Tél: (450) 979-4373 Fax: (450) 979-4626 www.exmweb.com | Flatness Aplatissement Max 3.0mm Projection |
| | | |
| Customer Client | Date | |
| Drawn By Dessiné Par | BoxCad: BoxCad | Date 26-Jun-23 |
| Material Matière | 14 Ga Stainless Steel 304 (1.7mm) | |
| Color Couleur | Unpainted | Finish Fini Brushed |
| Description | Detail Rev. | |
| 5412ESSW 36" x 30" x 6" Assembly | | |
| Part Number Numéro Pièce | Rev. | 2 |
| 5412ESSW363006NOIP | 0 | 9 |

| PACKING | | |
|-----------------------|-----|--|
| ITEM | QTY | DESCRIPTION |
| Cardboard sleeve | 2 | Top and Bottom |
| Cardboard strip | 2 | Between back of enclosure and inner panel |
| Plastic bag | 1 | To protect cover surface and inside gasket |
| Plastic strap - Black | 2 | To Squeeze the 2 cardboard sleeve together |
| Packaging label | 1 | White label with product number |

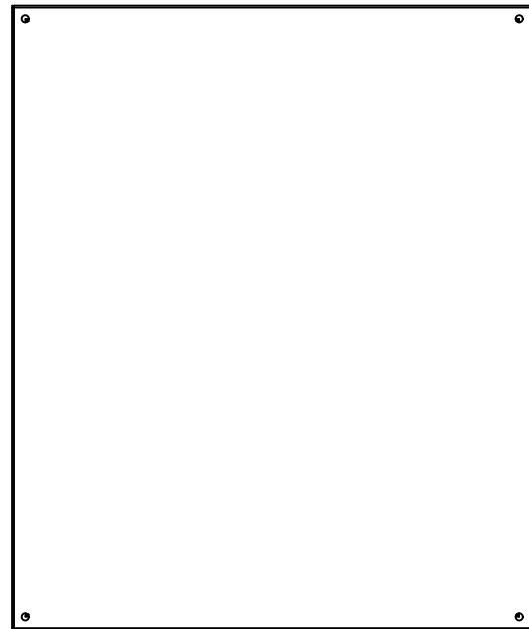
| | | | |
|------------|---------------------|-----|--|
| 1 | STK-K-01800 | 5 | 5412 ES Accessory Kit |
| 1 | 5412ESSW363006NOIPC | 0 | 5412ESSW 36" x 30" Cover |
| 1 | 5412ESSW363006NOIPB | 0 | 5412ESSW 36" x 30" x 6" Body |
| 3 | STK-Q-04051-08 | 1 | M6 x 8mm Stainless Steel Hexagon Socket Head Machine Screw with Nyseal |
| Qty | Part Number | Rev | Description |
| Parts List | | | |

This drawing is confidential and must not be reproduced or used without the consent of EXM

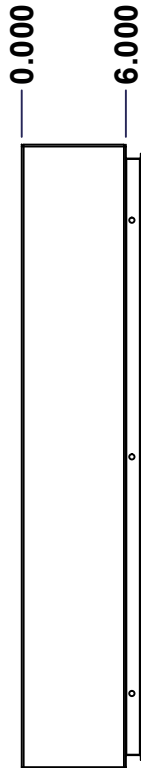
Ce dessin est confidentiel et ne doit pas être reproduit ou utilisé sans le consentement de EXM



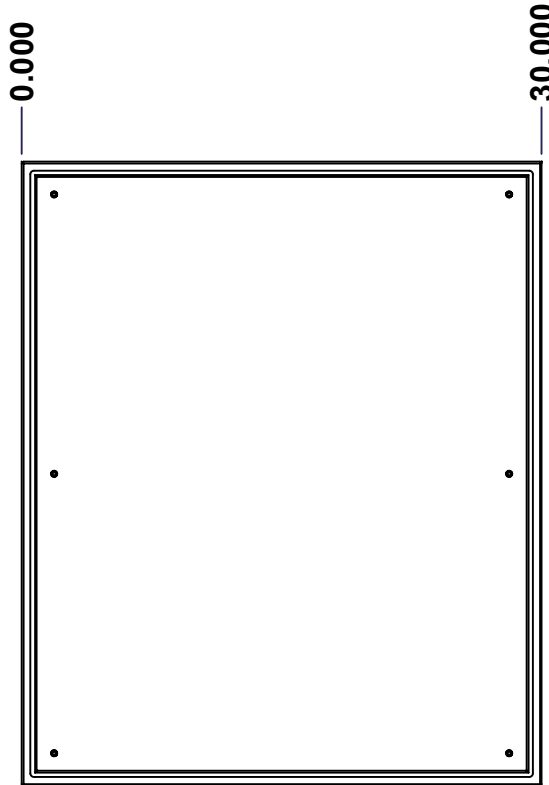
TOP



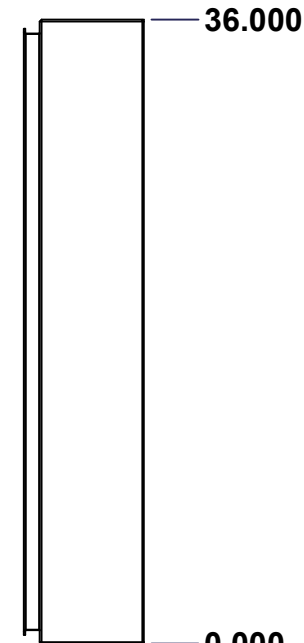
BACK



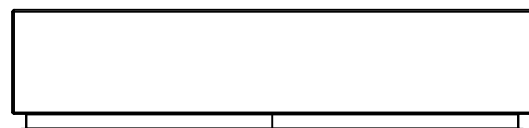
LEFT



FRONT

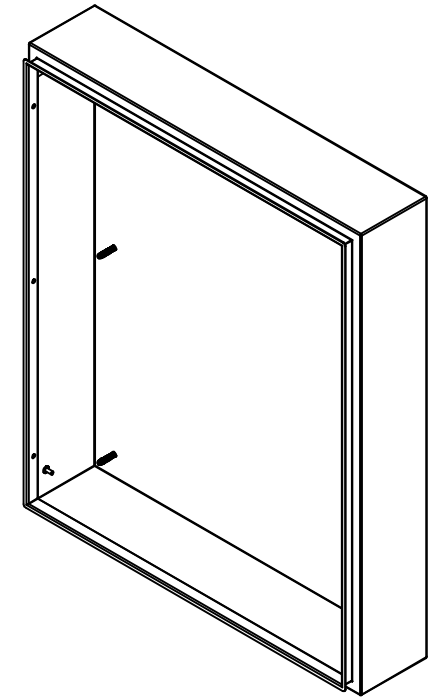


RIGHT



BOTTOM

| No. | Revisions | Date | By/Par |
|-----|-----------|------|--------|
| | | | |
| | | | |
| | | | |
| | | | |



Isometric View



Tél: (450) 979-4373
 Fax: (450) 979-4626
www.exmweb.com

Flatness
Aplatissement

Max 3.0mm

Projection



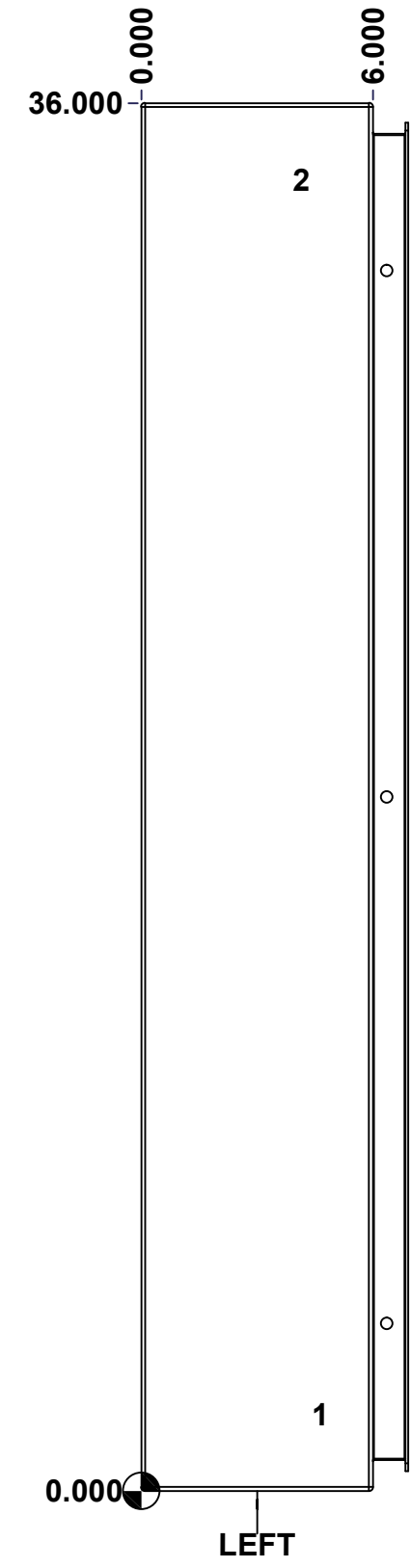
| | |
|-----------------------------------|-----------------------------------|
| Customer Client | Date |
| Drawn By Dessiné Par | Date |
| Material Matière | 26-Jun-23 |
| Color Couleur | 14 Ga Stainless Steel 304 (1.7mm) |
| Finish Fini | Unpainted |
| Description | Brushed |
| 5412ESSW 36" x 30" x 6" Body | Detail Rev. |
| Part Number Numéro Pièce | Rev. |
| 5412ESSW363006NOIPB | 3 |
| SEE BILL OF MATERIAL ON LAST PAGE | 0 |
| | 9 |

SEE BILL OF MATERIAL ON LAST PAGE

This drawing is confidential and must not be reproduced or used without the consent of EXM

Ce dessin est confidentiel et ne doit pas être reproduit ou utilisé sans le consentement de EXM

| STANDARD FEATURES ARE NOT LISTED IN THIS HOLE TABLE | | | |
|---|-------|--------|-----------------------------|
| HOLE TABLE - LEFT VIEW (CUSTOM FEATURE ONLY) | | | |
| CUT-OUT | XDIM | YDIM | DESCRIPTION |
| 1 | 4.500 | 2.000 | GND STUD M6 x 16mm (Inside) |
| 2 | 4.000 | 34.000 | LABEL_EXM (Inside) |



| | | |
|--|------------------------------|-------------------|
| | Description | Status |
| | 5412ESSW 36" x 30" x 6" Body | (NULL) |
| | Part Number Numéro Pièce | Rev. |
| | 5412ESSW363006NOIPB | 0 / 4 9 |

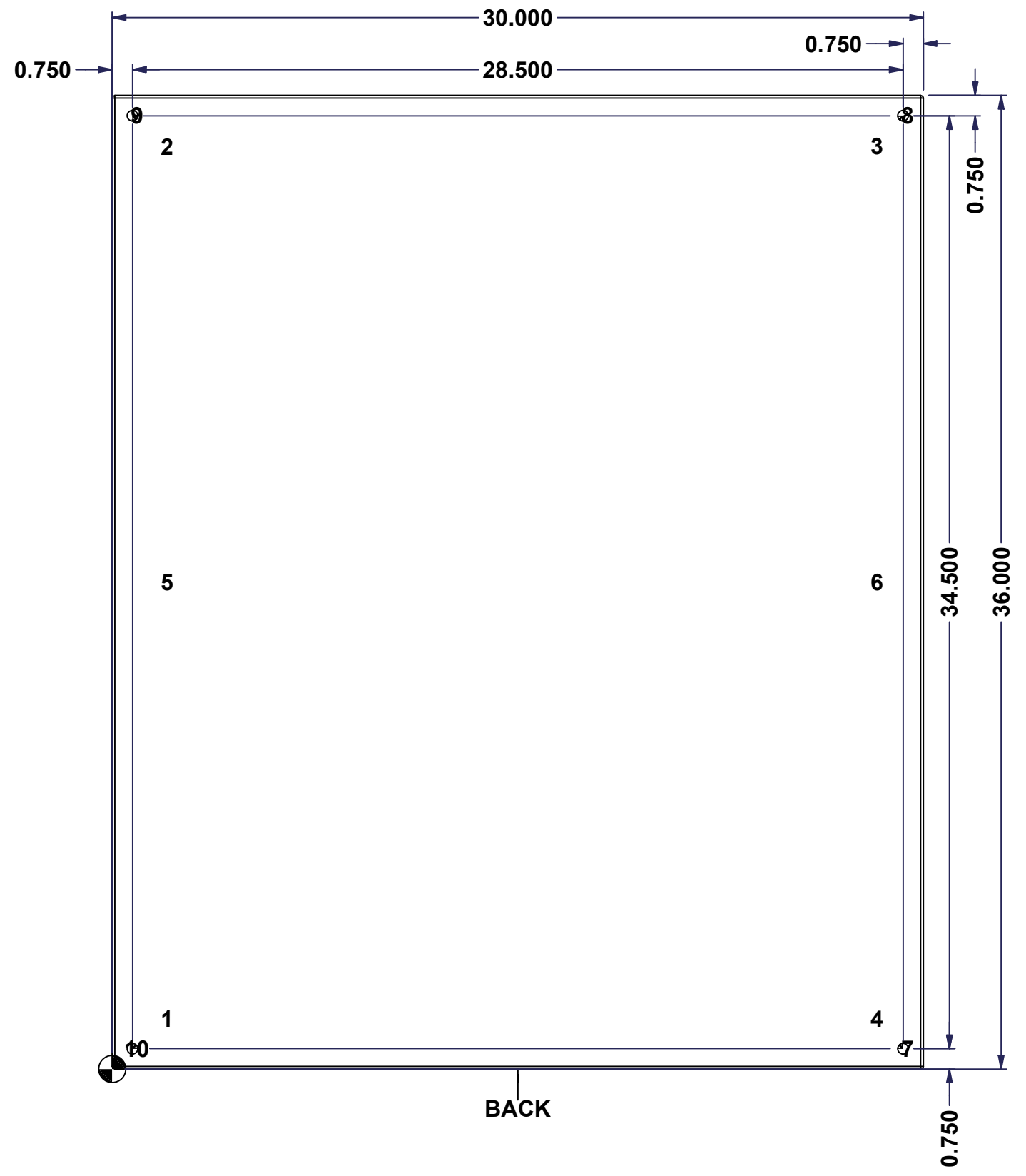
This drawing is confidential and must not be reproduced or used without the consent of EXM

Ce dessin est confidentiel et ne doit pas être reproduit ou utilisé sans le consentement de EXM

STANDARD FEATURES ARE NOT LISTED IN THIS HOLE TABLE

HOLE TABLE - BACK VIEW (CUSTOM FEATURE ONLY)

| CUT-OUT | XDIM | YDIM | DESCRIPTION |
|---------|--------|--------|----------------------------|
| 1 | 1.875 | 1.875 | IP STUD M8 x 35mm (Inside) |
| 2 | 1.875 | 34.125 | IP STUD M8 x 35mm (Inside) |
| 3 | 28.125 | 34.125 | IP STUD M8 x 35mm (Inside) |
| 4 | 28.125 | 1.875 | IP STUD M8 x 35mm (Inside) |
| 5 | 1.875 | 18.000 | IP STUD M8 x 35mm (Inside) |
| 6 | 28.125 | 18.000 | IP STUD M8 x 35mm (Inside) |
| ----- | | | |
| 7 | 29.250 | 0.750 | RND Ø0.390 |
| 8 | 29.250 | 35.250 | RND Ø0.390 |
| 9 | 0.750 | 35.250 | RND Ø0.390 |
| 10 | 0.750 | 0.750 | RND Ø0.390 |



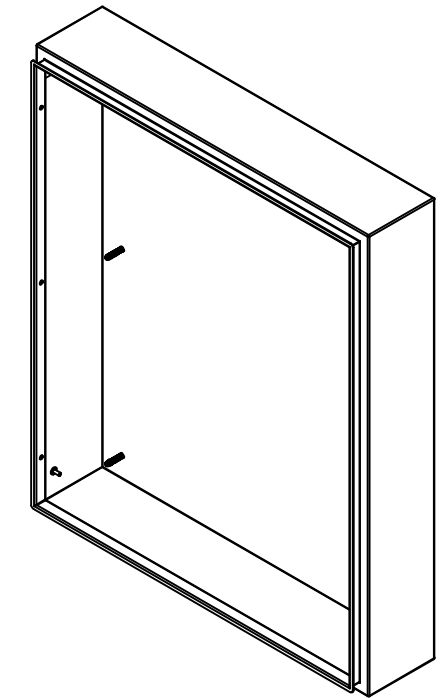
BACK

| | | |
|--|------------------------------|--------|
| | Description | Status |
| | 5412ESSW 36" x 30" x 6" Body | (NULL) |
| | Part Number | Rev. |
| | 5412ESSW363006NOIPB | 5 |
| | | 9 |

This drawing is confidential and must not be reproduced or used without the consent of EXM


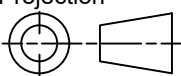
Ce dessin est confidentiel et ne doit pas être reproduit ou utilisé sans le consentement de EXM

| No. | Revisions | Date | By/Par |
|-----|-----------|------|--------|
| | | | |
| | | | |
| | | | |
| | | | |
| | | | |



Isometric View

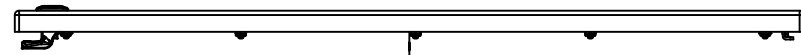


| | | |
|--|-----------------------------------|---|
|  Tél: (450) 979-4373 Fax: (450) 979-4626 www.exmweb.com | | Flatness Aplatissement Max 3.0mm Projection  |
| Customer Client | Date | |
| Drawn By Dessiné Par | BoxCad: BoxCad | Date 26-Jun-23 |
| Material Matière | 14 Ga Stainless Steel 304 (1.7mm) | |
| Color Couleur | Unpainted | Finish Fini Brushed |
| Description | | Detail Rev. |
| 5412ESSW 36" x 30" x 6" Body | | |
| Part Number Numéro Pièce | Rev. | 6 |
| 5412ESSW363006NOIPB | 0 | 9 |

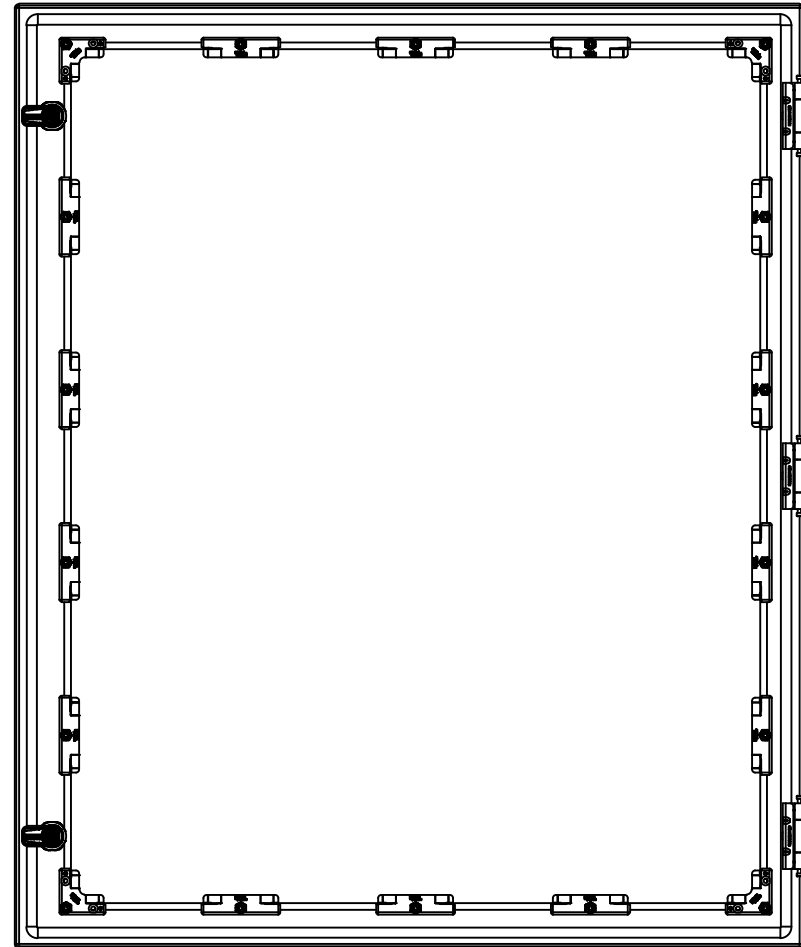
| Qty | Part Number | Rev | Description |
|------------|-----------------------|-----|--|
| 1 | STK-S-00100 | 0 | 3.5" x 2" Silver Milar Flexcon Sticker |
| 1 | STK-Q-16085 | 0 | Ground Stud M6 x 16mm Stainless Steel |
| 6 | STK-Q-16020 | 1 | Stud M8 x 35mm Stainless Steel |
| 1 | 5412ESSW363006NOIPB-P | 0 | 5412ESSW 36" x 30" x 6" Body Part |
| Parts List | | | |

This drawing is confidential and must not be reproduced or used without the consent of EXM

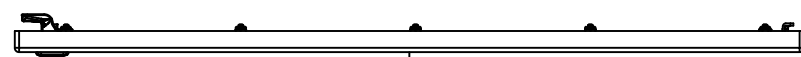
Ce dessin est confidentiel et ne doit pas être reproduit ou utilisé sans le consentement de EXM



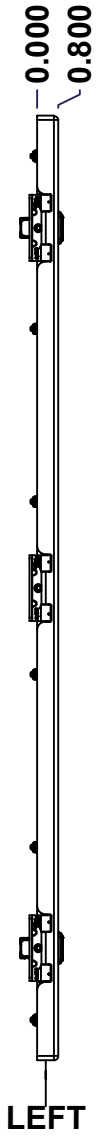
TOP



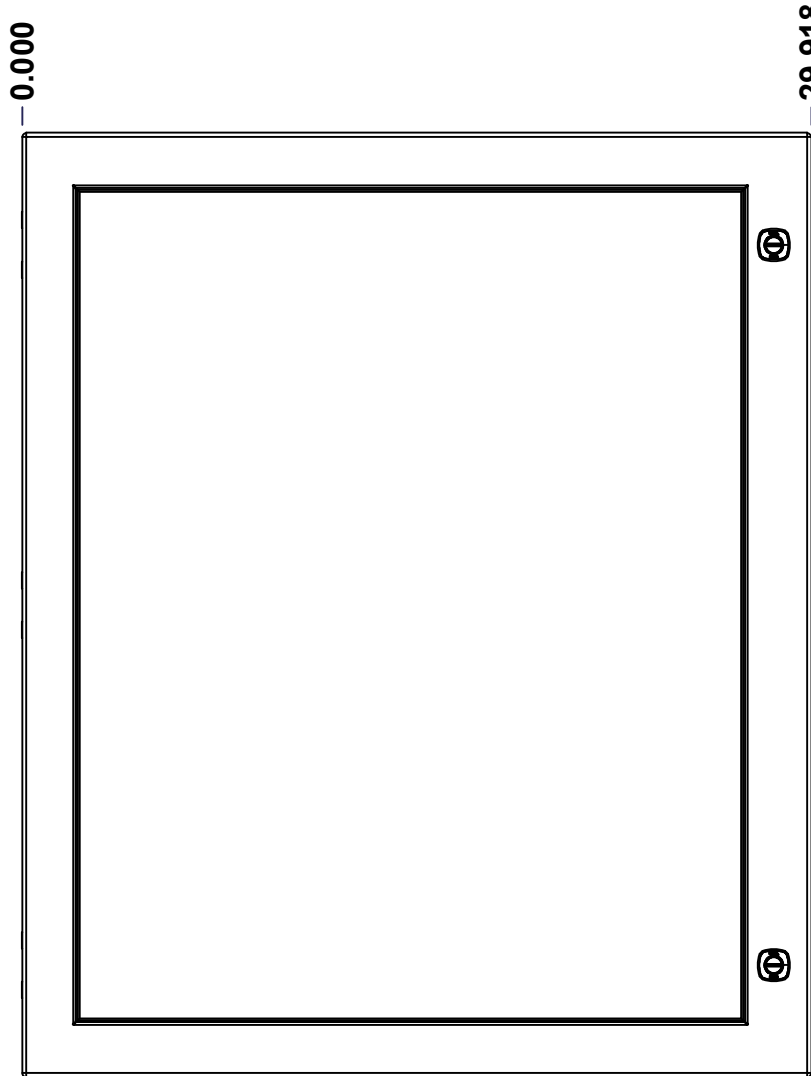
BACK



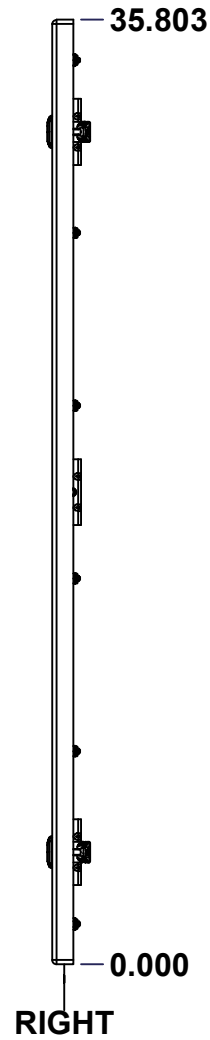
BOTTOM



LEFT

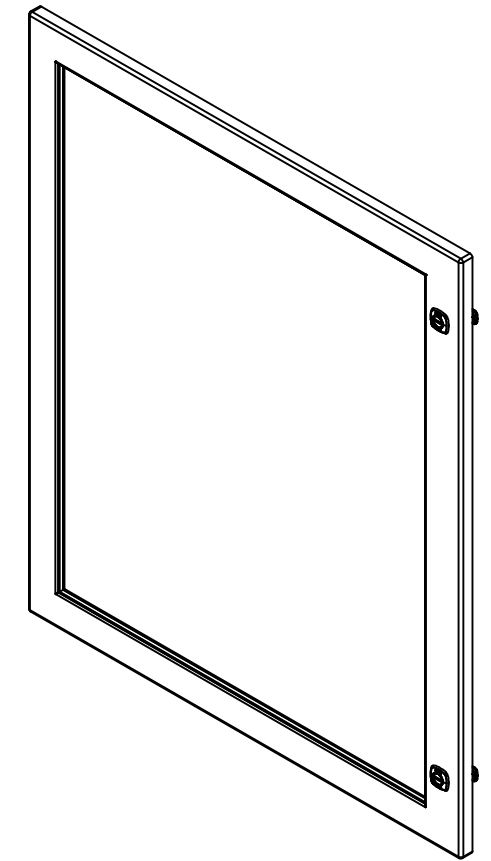


FRONT



RIGHT

| No. | Revisions | Date | By/Par |
|-----|-----------|------|--------|
| | | | |
| | | | |
| | | | |
| | | | |



Isometric View

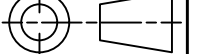


Tél: (450) 979-4373
 Fax: (450) 979-4626
www.exmweb.com

Flatness
Aplatissement

Max 3.0mm

Projection



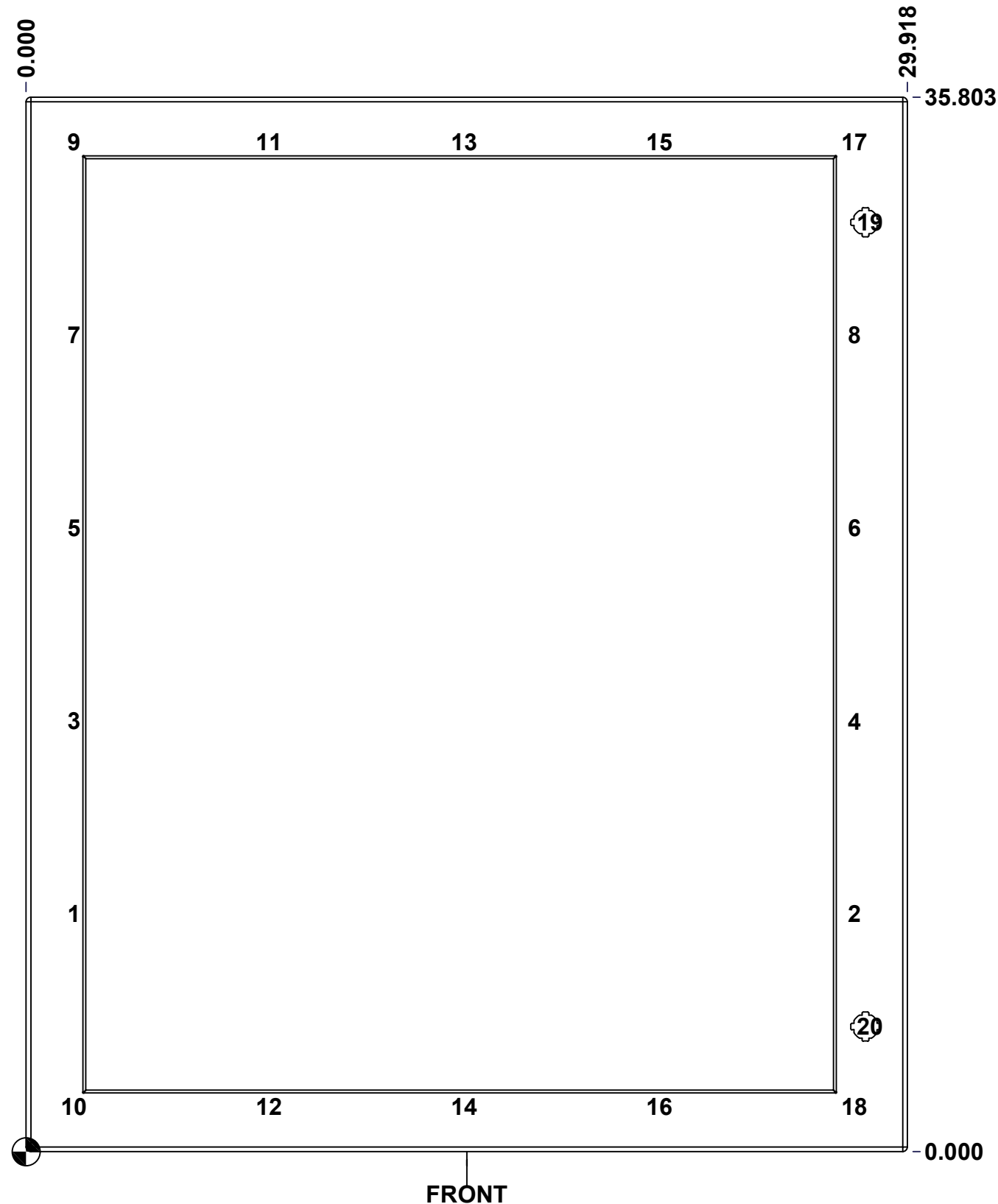
| | |
|---|------------------------|
| Customer Client | Date |
| Drawn By Dessiné Par BoxCad: BoxCad | Date 26-Jun-23 |
| Material Matière 14 Ga Stainless Steel 304 (1.7mm) | |
| Color Couleur Unpainted | Finish Fini Brushed |
| Description 5412ESSW 36" x 30" Cover | Detail Rev. |
| Part Number Numéro Pièce 5412ESSW363006NOIPC | Rev. 7 |
| SEE BILL OF MATERIAL ON LAST PAGE | 0 9 |

SEE BILL OF MATERIAL ON LAST PAGE 5412ESSW363006NOIPC

This drawing is confidential and must not be reproduced or used without the consent of EXM

Ce dessin est confidentiel et ne doit pas être reproduit ou utilisé sans le consentement de EXM

| STANDARD FEATURES ARE NOT LISTED IN THIS HOLE TABLE | | | |
|---|--------|--------|-------------------------|
| HOLE TABLE - FRONT VIEW (CUSTOM FEATURE ONLY) | | | |
| CUT-OUT | XDIM | YDIM | DESCRIPTION |
| 1 | 1.469 | 8.077 | STUD M6 x 18mm (Inside) |
| 2 | 27.968 | 8.077 | STUD M6 x 18mm (Inside) |
| 3 | 1.469 | 14.627 | STUD M6 x 18mm (Inside) |
| 4 | 27.968 | 14.627 | STUD M6 x 18mm (Inside) |
| 5 | 1.469 | 21.176 | STUD M6 x 18mm (Inside) |
| 6 | 27.968 | 21.176 | STUD M6 x 18mm (Inside) |
| 7 | 1.469 | 27.726 | STUD M6 x 18mm (Inside) |
| 8 | 27.968 | 27.726 | STUD M6 x 18mm (Inside) |
| 9 | 1.469 | 34.276 | STUD M6 x 18mm (Inside) |
| 10 | 1.469 | 1.527 | STUD M6 x 18mm (Inside) |
| 11 | 8.094 | 34.276 | STUD M6 x 18mm (Inside) |
| 12 | 8.094 | 1.527 | STUD M6 x 18mm (Inside) |
| 13 | 14.719 | 34.276 | STUD M6 x 18mm (Inside) |
| 14 | 14.719 | 1.527 | STUD M6 x 18mm (Inside) |
| 15 | 21.343 | 34.276 | STUD M6 x 18mm (Inside) |
| 16 | 21.343 | 1.527 | STUD M6 x 18mm (Inside) |
| 17 | 27.968 | 34.276 | STUD M6 x 18mm (Inside) |
| 18 | 27.968 | 1.527 | STUD M6 x 18mm (Inside) |
| ----- | | | |
| 19 | 28.494 | 31.553 | 880 SCQ4-SLSS6 |
| 20 | 28.494 | 4.250 | 880 SCQ4-SLSS6 |



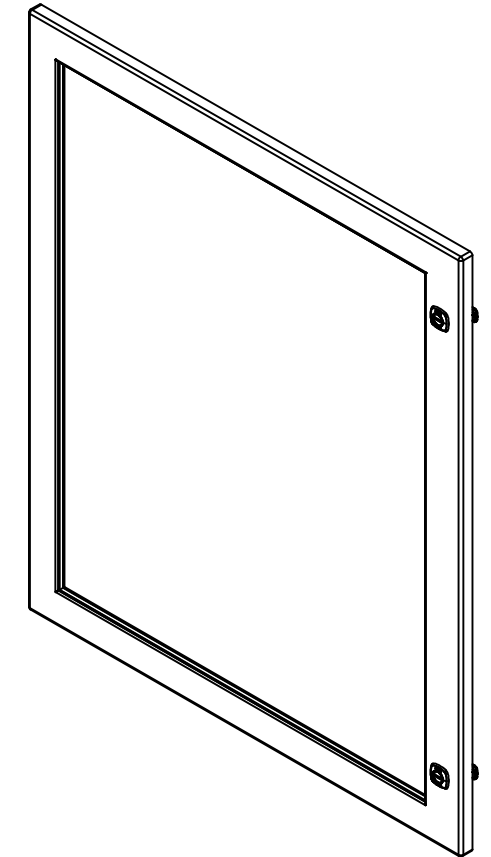
FRONT

| | | |
|--|----------------------------|----------|
| | Description | Status |
| | 5412ESSW 36" x 30" Cover | (NULL) |
| | Part Number | Rev. |
| | Numéro Pièce | 8 |
| | 5412ESSW363006NOIPC | 0 |
| | | 9 |

This drawing is confidential and must not be reproduced or used without the consent of EXM

Ce dessin est confidentiel et ne doit pas être reproduit ou utilisé sans le consentement de EXM


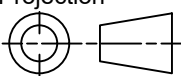
| No. | Revisions | Date | By/Par |
|-----|-----------|------|--------|
| | | | |
| | | | |
| | | | |
| | | | |
| | | | |



Isometric View



| QTY | Part Number | Rev | Description |
|------------|------------------------|-----|---------------------------------------|
| 14 | STK-Q-60701 | 2.1 | 880 WK - Lexan 1/4" Fixing Bracket |
| 1 | STK-A-60703 | 0 | 5412 ESW Lexan Bracket Kit |
| 18 | STK-Q-16053 | 1 | Stud M6 x 23mm Stainless steel |
| 1 | STK-G-02710 | 0 | 880 HWKG - Windows Kit Gasket |
| 1 | 5412ESSW363006NOIPL XG | 0 | 5412ESSW 36" x 30" Lexan Gasket Part |
| 1 | 5412ESSW363006NOIPL X | 0 | 5412ESSW 32.375" x 26.125" Lexan Part |
| 1 | 5412ESSW363006NOIPG | 0 | 5412ESSW 36" x 30" Cover Gasket Part |
| 1 | 5412ESSW363006NOIPC-P | 0 | 5412ESSW 36" x 30" Cover Part |
| 2 | 880 SCQ4-SLSS6 | 7 | 5412 ESS 1/4 Turn Lock |
| 3 | STK-A-33016 | 0 | 5412 ESS Bended Hinge (Body Part) |
| Parts List | | | |

| | | |
|--|-----------------------------------|---|
|  Tél: (450) 979-4373 Fax: (450) 979-4626 www.exmweb.com | | Flatness Aplatissement Max 3.0mm Projection  |
| Customer Client | Date | Date 26-Jun-23 |
| Drawn By Dessiné Par | BoxCad: BoxCad | |
| Material Matière | 14 Ga Stainless Steel 304 (1.7mm) | |
| Color Couleur | Unpainted | Finish Fini Brushed |
| Description | | Detail Rev. |
| 5412ESSW 36" x 30" Cover | | |
| Part Number Numéro Pièce | Rev. | 9 |
| 5412ESSW363006NOIPC | 0 | 9 |