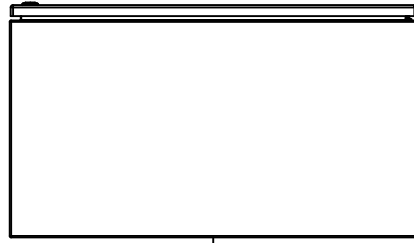
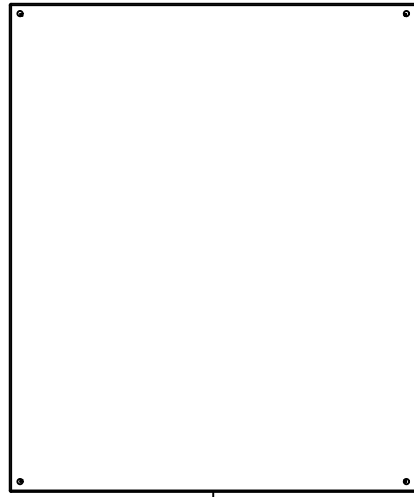


This drawing is confidential and must not be reproduced or used without the consent of EXM

Ce dessin est confidentiel et ne doit pas être reproduit ou utilisé sans le consentement de EXM



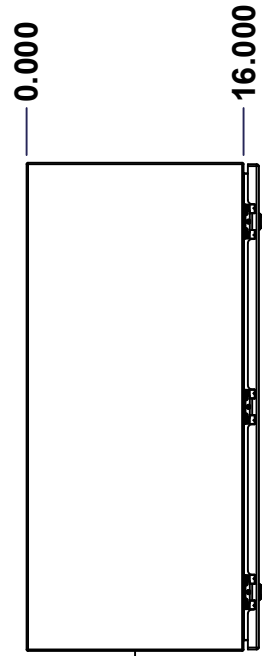
TOP



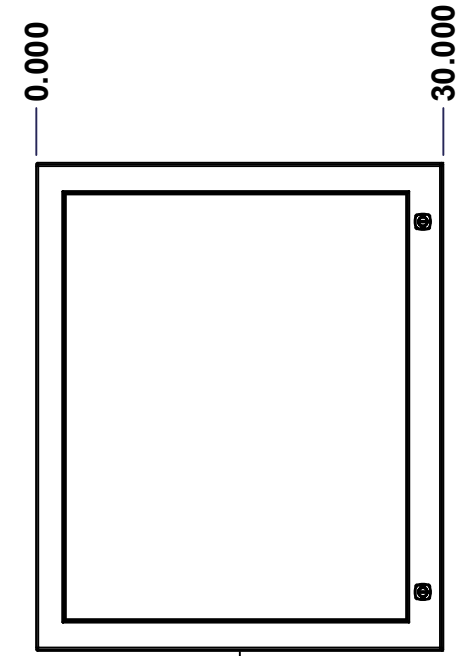
BACK



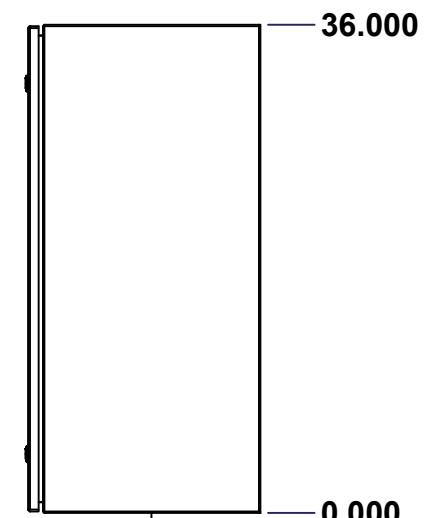
BOTTOM



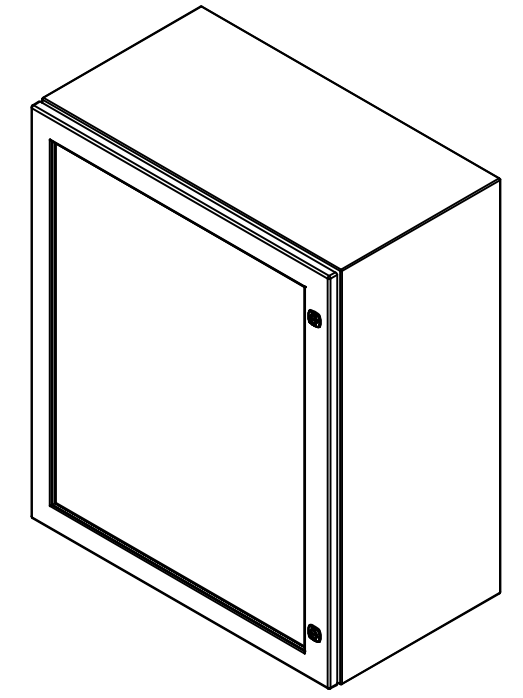
LEFT



FRONT



RIGHT




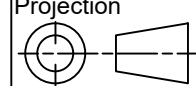
Isometric View



**GRAIN DIRECTION:
TOP/BOTTOM: HORIZONTAL
LEFT/RIGHT/BACK/FRONT: VERTICAL**

SEE BILL OF MATERIAL ON LAST PAGE

| No. | Revisions | Date | By/Par |
|-----|-----------|------|--------|
| | | | |
| | | | |
| | | | |
| | | | |
| | | | |

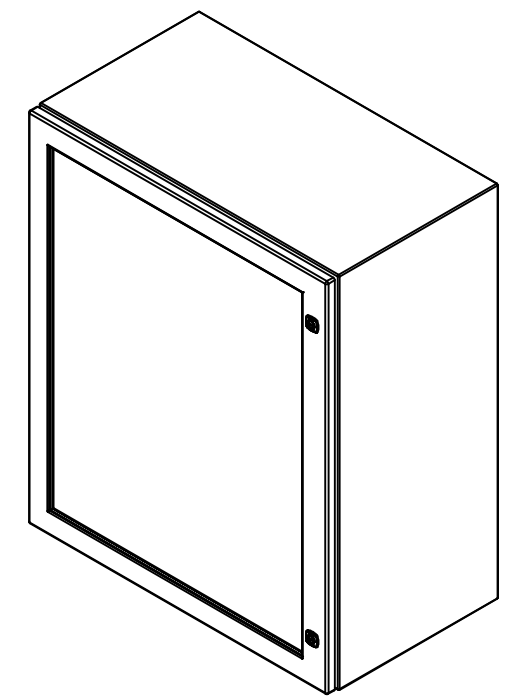
| | | |
|----------------------------------------------------------------------------------------------------------------------------------------------------------------------------------------|-----------------------------------|-----------------------------------------------------------------------------------------------------------------------------------------------|
|  Tél: (450) 979-4373 Fax: (450) 979-4626 www.exmweb.com | | Flatness Aplatissement Max 3.0mm Projection  |
| Customer Client | Date | |
| Drawn By Dessiné Par | BoxCad: BoxCad | Date 26-Jun-23 |
| Material Matière | 14 Ga Stainless Steel 316 (1.7mm) | |
| Color Couleur | Unpainted | Finish Fini Brushed |
| Description | Detail Rev. | |
| 5412ESSW 36" x 30" x 16" Assembly | | |
| Part Number Numéro Pièce | Rev. 0 | 1 9 |

This drawing is confidential and must not be reproduced or used without the consent of EXM

Ce dessin est confidentiel et ne doit pas être reproduit ou utilisé sans le consentement de EXM

| NOTE | |
|------|--------------------------------------------|
| ITEM | DESCRIPTION |
| 1 | NEMA 4X Enclosure |
| 2 | C/W Standard ground studs on box and cover |
| 3 | W/O Standard door stiffener |
| 4 | W/O Inner panel |
| 5 | C/W Standard inner panel mounting studs |

| No. | Revisions | Date | By/Par |
|-----|-----------|------|--------|
| | | | |
| | | | |
| | | | |
| | | | |
| | | | |
| | | | |



Isometric View



Tél: (450) 979-4373
 Fax: (450) 979-4626
www.exmweb.com

Flatness
Aplatissement
Max 3.0mm
Projection

| | |
|-------------------------|----------------|
| Customer Client | Date |
| Drawn By Dessiné Par | Date 26-Jun-23 |

Material Matière 14 Ga Stainless Steel 316 (1.7mm)

| | | | |
|---------------|-----------|-------------|---------|
| Color Couleur | Unpainted | Finish Fini | Brushed |
|---------------|-----------|-------------|---------|

Description 5412ESSW 36" x 30" x 16" Assembly
 Detail Rev.

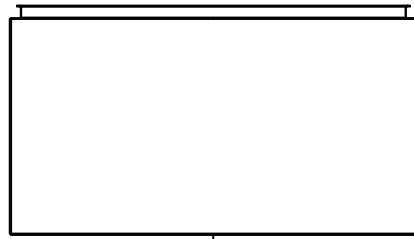
| | | |
|-----------------------------|----------|---|
| Part Number Numéro Pièce | Rev. | 2 |
| 5412ESSW3630166NOIP | 0 | 9 |

| PACKING | | |
|-----------------------|-----|--------------------------------------------|
| ITEM | QTY | DESCRIPTION |
| Cardboard sleeve | 2 | Top and Bottom |
| Cardboard strip | 2 | Between back of enclosure and inner panel |
| Plastic bag | 1 | To protect cover surface and inside gasket |
| Plastic strap - Black | 2 | To Squeeze the 2 cardboard sleeve together |
| Packaging label | 1 | White label with product number |

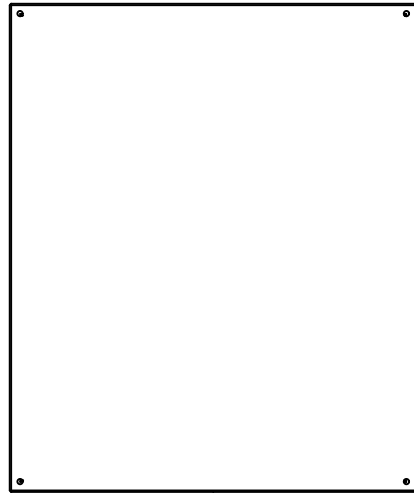
| | | | |
|------------|-----------------------|-----|------------------------------------------------------------------------|
| 1 | STK-K-01800 | 5 | 5412 ES Accessory Kit |
| 1 | 5412ESSW3630166NOIP C | 0 | 5412ESSW 36" x 30" Cover |
| 1 | 5412ESSW3630166NOIP B | 0 | 5412ESSW 36" x 30" x 16" Body |
| 3 | STK-Q-04051-08 | 1 | M6 x 8mm Stainless Steel Hexagon Socket Head Machine Screw with Nyseal |
| Qty | Part Number | Rev | Description |
| Parts List | | | |

This drawing is confidential and must not be reproduced or used without the consent of EXM

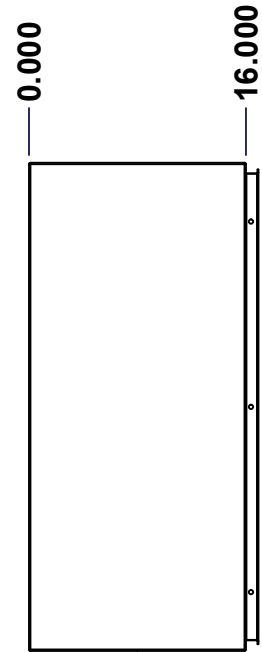
Ce dessin est confidentiel et ne doit pas être reproduit ou utilisé sans le consentement de EXM



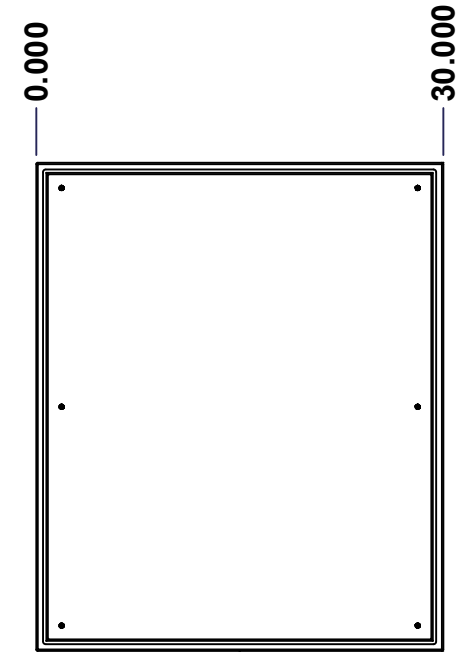
TOP



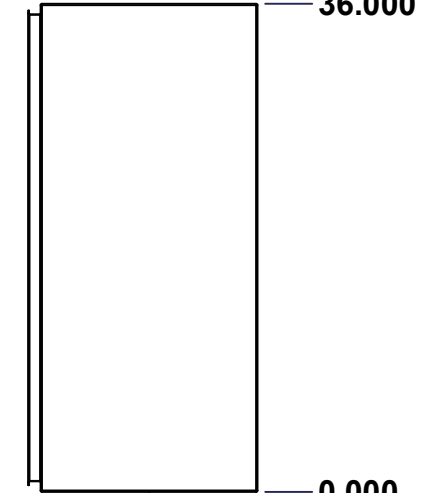
BACK



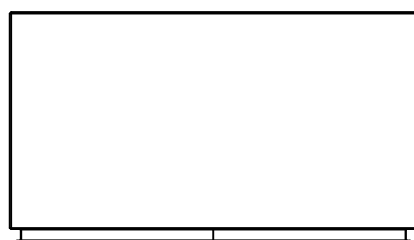
LEFT



FRONT

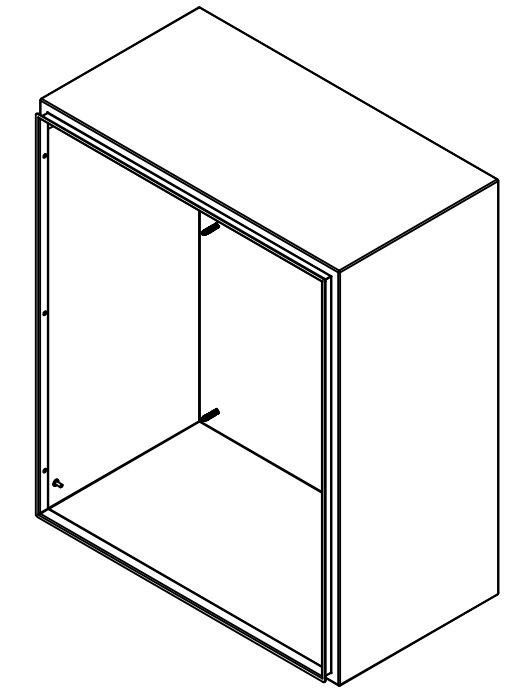


RIGHT



BOTTOM

| No. | Revisions | Date | By/Par |
|-----|-----------|------|--------|
| | | | |
| | | | |
| | | | |
| | | | |
| | | | |



Isometric View



Tél: (450) 979-4373
 Fax: (450) 979-4626
www.exmweb.com

Flatness
Aplatissement
Max 3.0mm
Projection

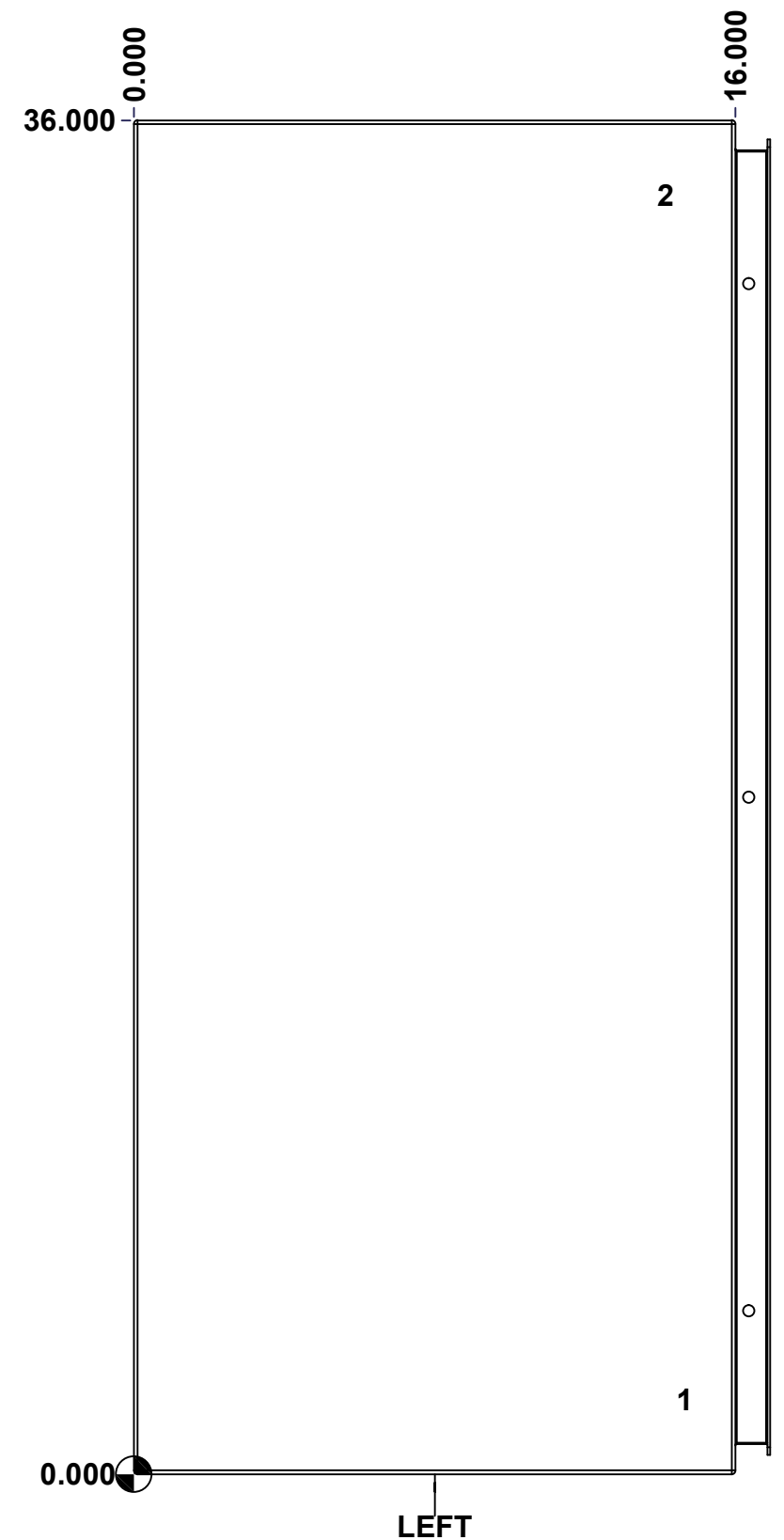
| | |
|-------------------------------------------------------|------------------------|
| Customer Client | Date |
| Drawn By Dessiné Par BoxCad: BoxCad | Date 26-Jun-23 |
| Material Matière 14 Ga Stainless Steel 316 (1.7mm) | |
| Color Couleur Unpainted | Finish Fini Brushed |
| Description 5412ESSW 36" x 30" x 16" Body | Detail Rev. |
| Part Number Numéro Pièce 5412ESSW3630166NOIPB | Rev. 0 |

SEE BILL OF MATERIAL ON LAST PAGE

This drawing is confidential and must not be reproduced or used without the consent of EXM

Ce dessin est confidentiel et ne doit pas être reproduit ou utilisé sans le consentement de EXM

| STANDARD FEATURES ARE NOT LISTED IN THIS HOLE TABLE | | | |
|-----------------------------------------------------|--------|--------|-----------------------------|
| HOLE TABLE - LEFT VIEW (CUSTOM FEATURE ONLY) | | | |
| CUT-OUT | XDIM | YDIM | DESCRIPTION |
| 1 | 14.500 | 2.000 | GND STUD M6 x 16mm (Inside) |
| 2 | 14.000 | 34.000 | LABEL_EXM (Inside) |



| | | |
|--|-------------------------------|-------------------|
| | Description | Status |
| | 5412ESSW 36" x 30" x 16" Body | (NULL) |
| | Part Number Numéro Pièce | Rev. |
| | 5412ESSW3630166NOIPB | 0 / 4 9 |

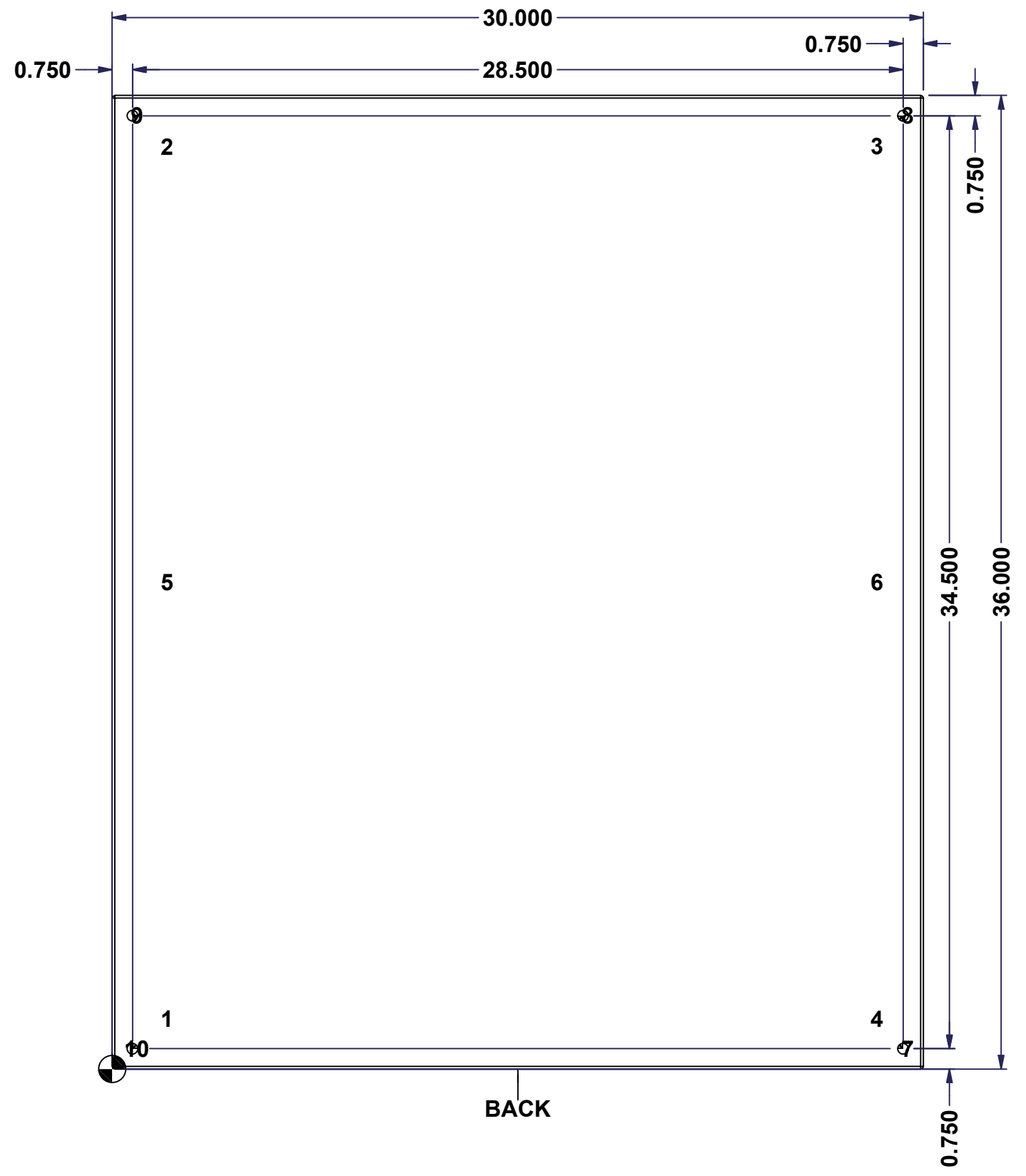
This drawing is confidential and must not be reproduced or used without the consent of EXM

Ce dessin est confidentiel et ne doit pas être reproduit ou utilisé sans le consentement de EXM

STANDARD FEATURES ARE NOT LISTED IN THIS HOLE TABLE

HOLE TABLE - BACK VIEW (CUSTOM FEATURE ONLY)

| CUT-OUT | XDIM | YDIM | DESCRIPTION |
|---------|--------|--------|----------------------------|
| 1 | 1.875 | 1.875 | IP STUD M8 x 35mm (Inside) |
| 2 | 1.875 | 34.125 | IP STUD M8 x 35mm (Inside) |
| 3 | 28.125 | 34.125 | IP STUD M8 x 35mm (Inside) |
| 4 | 28.125 | 1.875 | IP STUD M8 x 35mm (Inside) |
| 5 | 1.875 | 18.000 | IP STUD M8 x 35mm (Inside) |
| 6 | 28.125 | 18.000 | IP STUD M8 x 35mm (Inside) |
| ----- | | | |
| 7 | 29.250 | 0.750 | RND Ø0.390 |
| 8 | 29.250 | 35.250 | RND Ø0.390 |
| 9 | 0.750 | 35.250 | RND Ø0.390 |
| 10 | 0.750 | 0.750 | RND Ø0.390 |



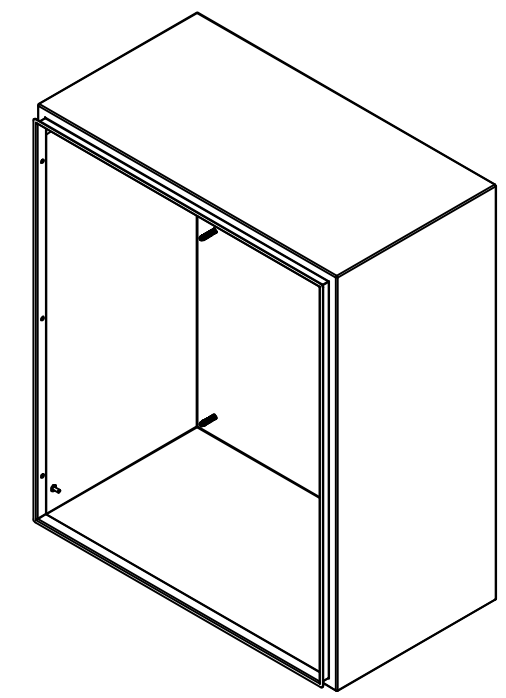
BACK

| | | |
|--|-------------------------------|------------------|
| | Description | Status |
| | 5412ESSW 36" x 30" x 16" Body | (NULL) |
| | Part Number Numéro Pièce | Rev. |
| | 5412ESSW3630166NOIPB | 0 / 5 / 9 |

This drawing is confidential and must not be reproduced or used without the consent of EXM

Ce dessin est confidentiel et ne doit pas être reproduit ou utilisé sans le consentement de EXM

| No. | Revisions | Date | By/Par |
|-----|-----------|------|--------|
| | | | |
| | | | |
| | | | |
| | | | |
| | | | |



Isometric View




 Tél: (450) 979-4373
 Fax: (450) 979-4626
www.exmweb.com

Flatness / Aplatissement: Max 3.0mm
 Projection: 

| | |
|-------------------------------------------------------|-----------------|
| Customer Client | Date |
| Drawn By / Dessiné Par: BoxCad: BoxCad | Date: 26-Jun-23 |
| Material / Matière: 14 Ga Stainless Steel 316 (1.7mm) | |

| | |
|----------------------------|------------------------|
| Color / Couleur: Unpainted | Finish / Fini: Brushed |
|----------------------------|------------------------|

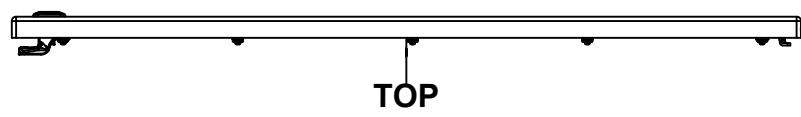
| | |
|--------------------------------------------|-------------|
| Description: 5412ESSW 36" x 30" x 16" Body | Detail Rev. |
|--------------------------------------------|-------------|

| | | |
|---------------------------------------------------------|---------------|-------|
| Part Number / Numéro Pièce: 5412ESSW3630166NOIPB | Rev. 0 | 6 / 9 |
|---------------------------------------------------------|---------------|-------|

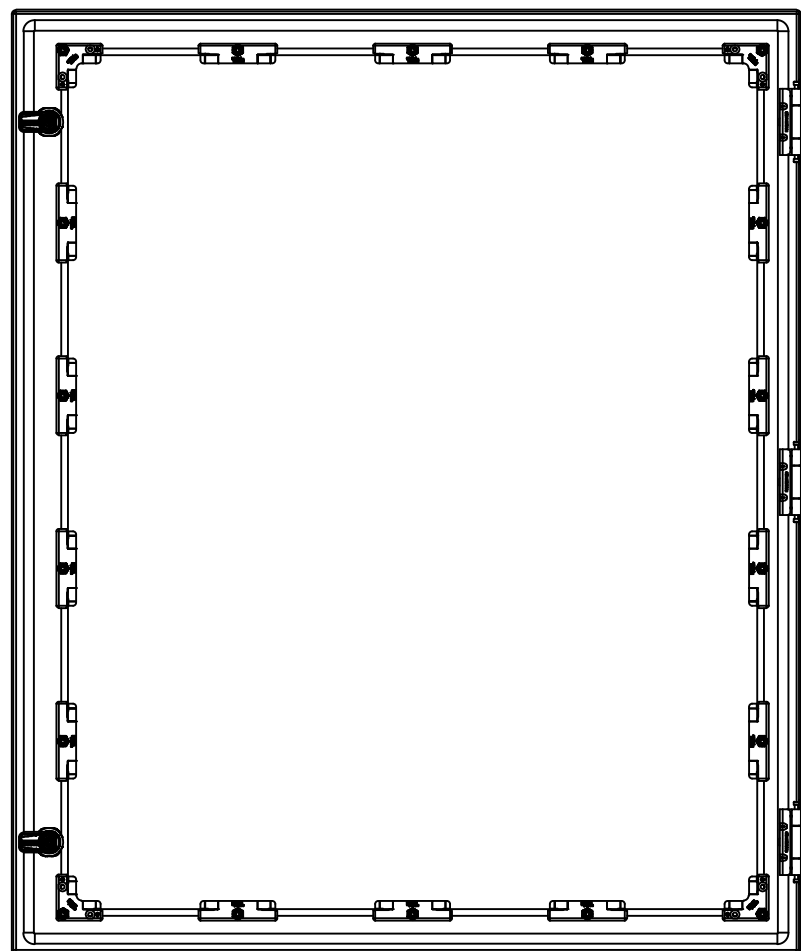
| Qty | Part Number | Rev | Description |
|------------|-------------------------|-----|----------------------------------------|
| 1 | STK-S-00100 | 0 | 3.5" x 2" Silver Milar Flexcon Sticker |
| 1 | STK-Q-16085 | 0 | Ground Stud M6 x 16mm Stainless Steel |
| 6 | STK-Q-16020 | 1 | Stud M8 x 35mm Stainless Steel |
| 1 | 5412ESSW3630166NOIP B-P | 0 | 5412ESSW 36" x 30" x 16" Body Part |
| Parts List | | | |

This drawing is confidential and must not be reproduced or used without the consent of EXM

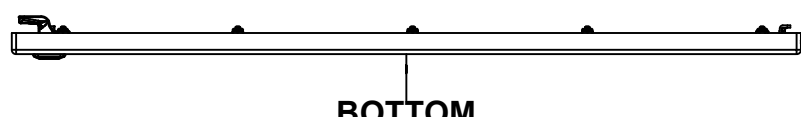
Ce dessin est confidentiel et ne doit pas être reproduit ou utilisé sans le consentement de EXM



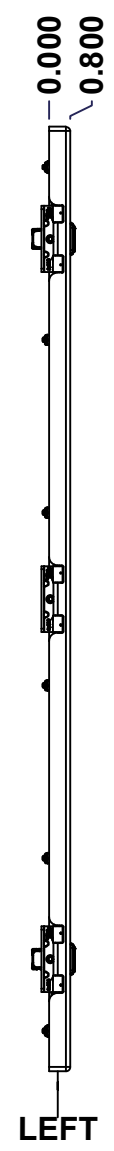
TOP



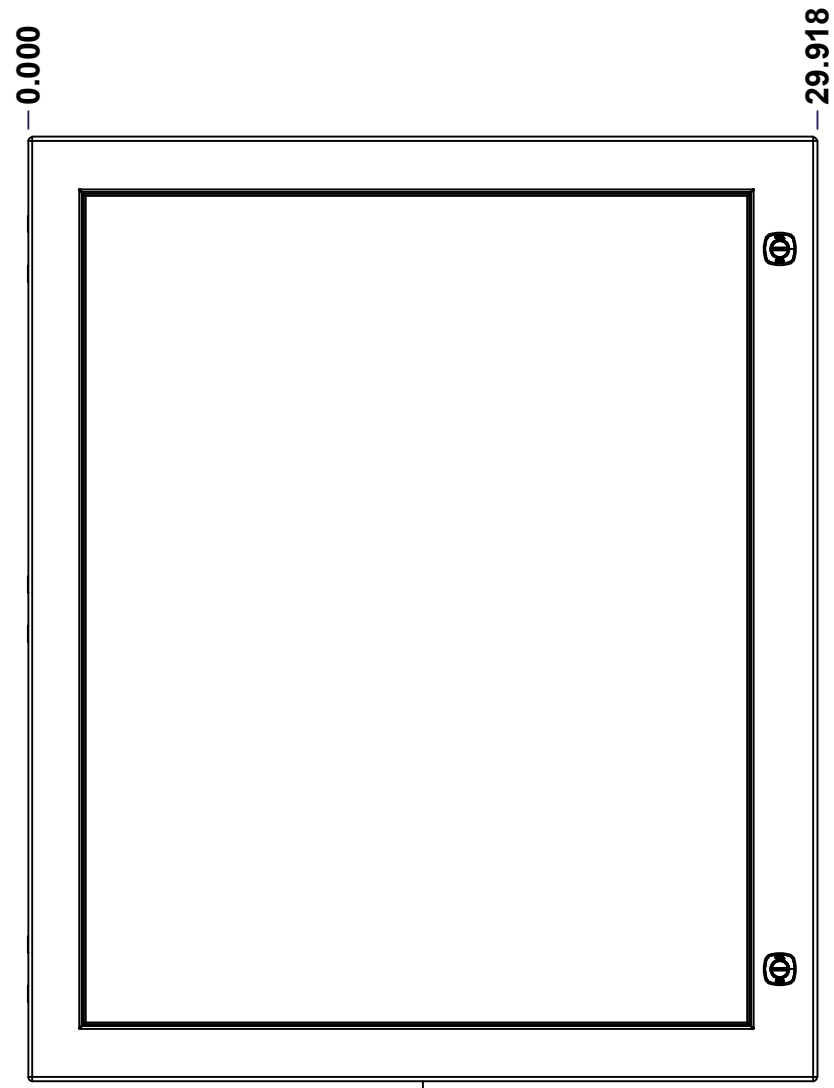
BACK



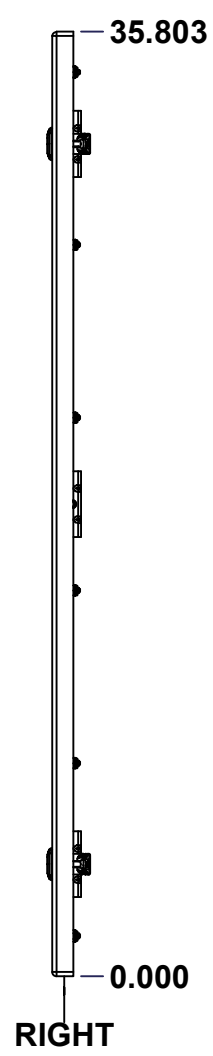
BOTTOM



LEFT

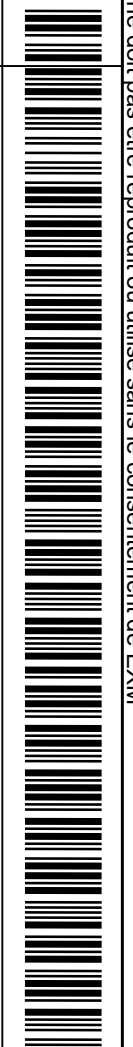
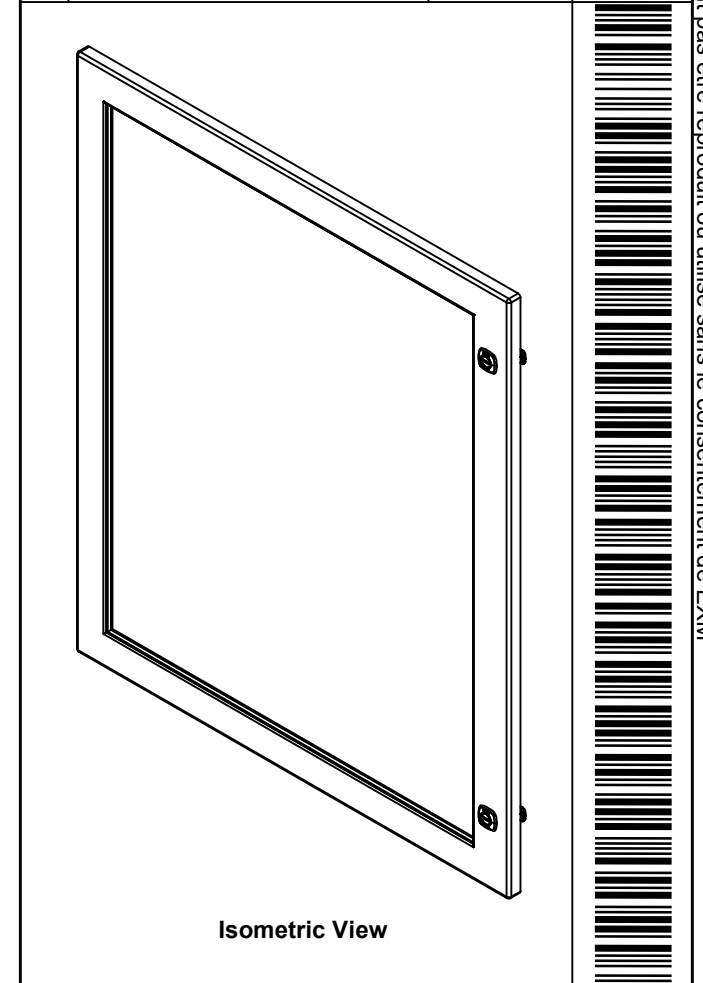


FRONT



RIGHT

| No. | Revisions | Date | By/Par |
|-----|-----------|------|--------|
| | | | |
| | | | |
| | | | |
| | | | |



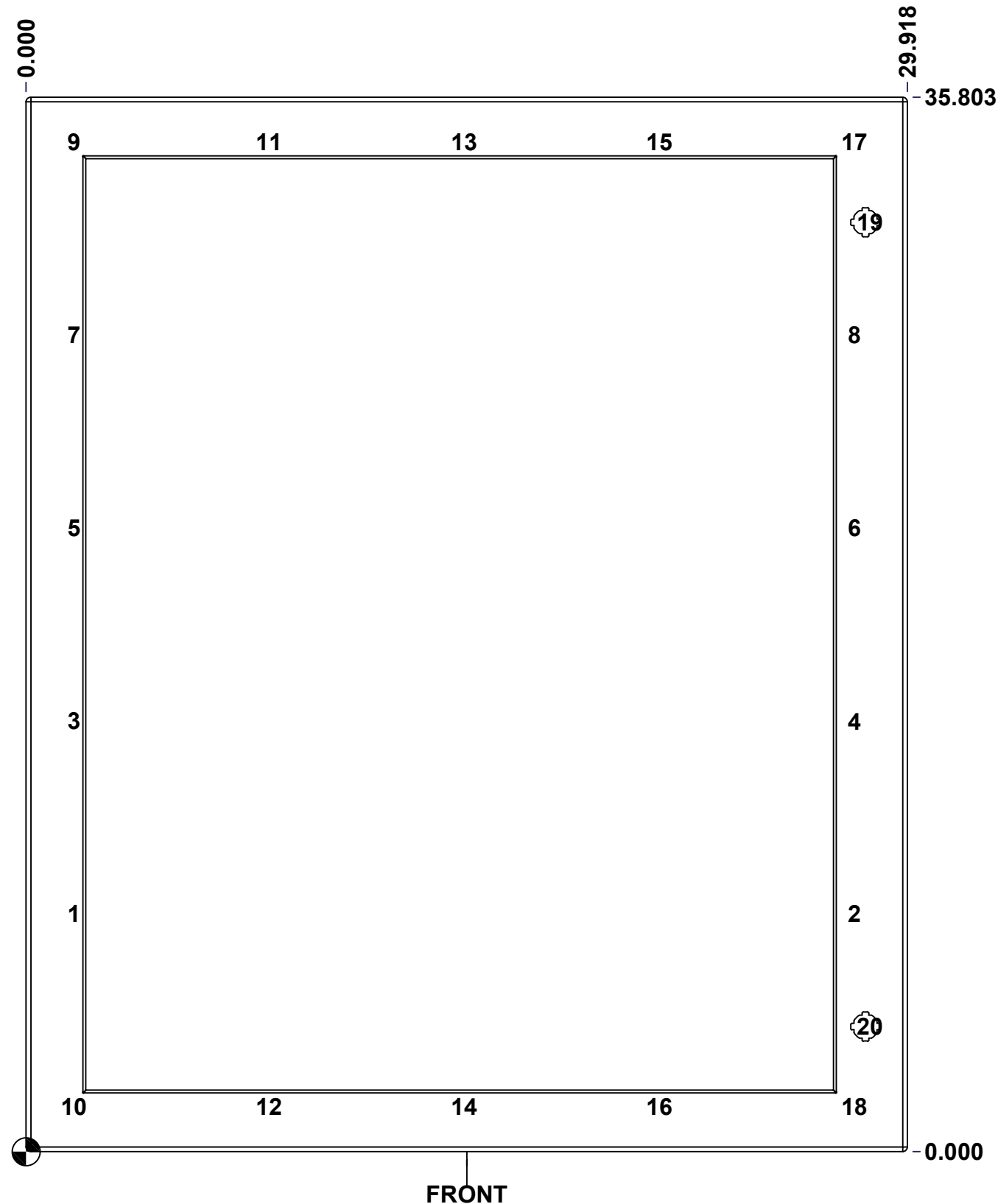
| | | |
|--------------------------------------------------------------------------------------------------|-----------------------------------|----------------------------------------------------------|
| Tél: (450) 979-4373 Fax: (450) 979-4626 www.exmweb.com | | Flatness Aplatissement Max 3.0mm Projection |
| Customer Client | Date | |
| Drawn By Dessiné Par | BoxCad: BoxCad | Date 26-Jun-23 |
| Material Matière | 14 Ga Stainless Steel 316 (1.7mm) | |
| Color Couleur | Unpainted | Finish Fini Brushed |
| Description | Detail Rev. | |
| 5412ESSW 36" x 30" Cover | | |
| Part Number Numéro Pièce | Rev. 0 | 7 9 |

SEE BILL OF MATERIAL ON LAST PAGE **5412ESSW3630166NOIPC**

This drawing is confidential and must not be reproduced or used without the consent of EXM

Ce dessin est confidentiel et ne doit pas être reproduit ou utilisé sans le consentement de EXM

| STANDARD FEATURES ARE NOT LISTED IN THIS HOLE TABLE | | | |
|-----------------------------------------------------|--------|--------|-------------------------|
| HOLE TABLE - FRONT VIEW (CUSTOM FEATURE ONLY) | | | |
| CUT-OUT | XDIM | YDIM | DESCRIPTION |
| 1 | 1.469 | 8.077 | STUD M6 x 18mm (Inside) |
| 2 | 27.968 | 8.077 | STUD M6 x 18mm (Inside) |
| 3 | 1.469 | 14.627 | STUD M6 x 18mm (Inside) |
| 4 | 27.968 | 14.627 | STUD M6 x 18mm (Inside) |
| 5 | 1.469 | 21.176 | STUD M6 x 18mm (Inside) |
| 6 | 27.968 | 21.176 | STUD M6 x 18mm (Inside) |
| 7 | 1.469 | 27.726 | STUD M6 x 18mm (Inside) |
| 8 | 27.968 | 27.726 | STUD M6 x 18mm (Inside) |
| 9 | 1.469 | 34.276 | STUD M6 x 18mm (Inside) |
| 10 | 1.469 | 1.527 | STUD M6 x 18mm (Inside) |
| 11 | 8.094 | 34.276 | STUD M6 x 18mm (Inside) |
| 12 | 8.094 | 1.527 | STUD M6 x 18mm (Inside) |
| 13 | 14.719 | 34.276 | STUD M6 x 18mm (Inside) |
| 14 | 14.719 | 1.527 | STUD M6 x 18mm (Inside) |
| 15 | 21.343 | 34.276 | STUD M6 x 18mm (Inside) |
| 16 | 21.343 | 1.527 | STUD M6 x 18mm (Inside) |
| 17 | 27.968 | 34.276 | STUD M6 x 18mm (Inside) |
| 18 | 27.968 | 1.527 | STUD M6 x 18mm (Inside) |
| ----- | | | |
| 19 | 28.494 | 31.553 | 880 SCQ4-SLSS6 |
| 20 | 28.494 | 4.250 | 880 SCQ4-SLSS6 |

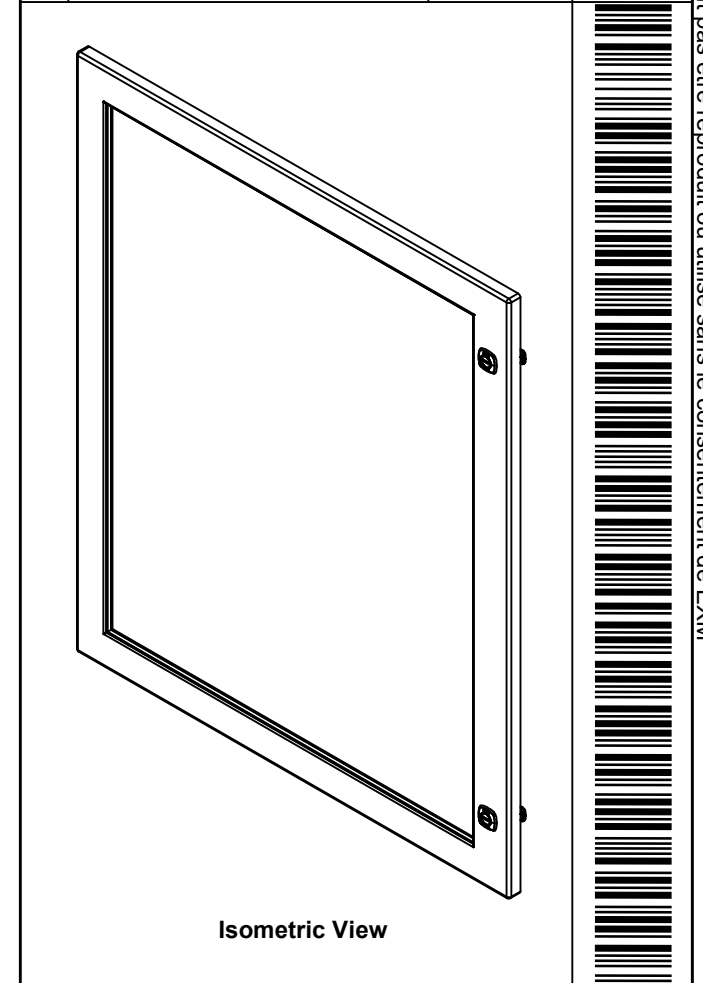


| | | |
|--|-----------------------------|----------|
| | Description | Status |
| | 5412ESSW 36" x 30" Cover | (NULL) |
| | Part Number | Rev. |
| | Numéro Pièce | 8 |
| | 5412ESSW3630166NOIPC | 0 |
| | | 9 |

This drawing is confidential and must not be reproduced or used without the consent of EXM

Ce dessin est confidentiel et ne doit pas être reproduit ou utilisé sans le consentement de EXM

| No. | Revisions | Date | By/Par |
|-----|-----------|------|--------|
| | | | |
| | | | |
| | | | |
| | | | |
| | | | |



| QTY | Part Number | Rev | Description |
|------------|-------------------------|-----|---------------------------------------|
| 14 | STK-Q-60701 | 2.1 | 880 WK - Lexan 1/4" Fixing Bracket |
| 1 | STK-A-60703 | 0 | 5412 ESW Lexan Bracket Kit |
| 18 | STK-Q-16053 | 1 | Stud M6 x 23mm Stainless steel |
| 1 | STK-G-02710 | 0 | 880 HWKG - Windows Kit Gasket |
| 1 | 5412ESSW3630166NOIP LXG | 0 | 5412ESSW 36" x 30" Lexan Gasket Part |
| 1 | 5412ESSW3630166NOIP LX | 0 | 5412ESSW 32.375" x 26.125" Lexan Part |
| 1 | 5412ESSW3630166NOIP G | 0 | 5412ESSW 36" x 30" Cover Gasket Part |
| 1 | 5412ESSW3630166NOIP C-P | 0 | 5412ESSW 36" x 30" Cover Part |
| 2 | 880 SCQ4-SLSS6 | 7 | 5412 ESS 1/4 Turn Lock |
| 3 | STK-A-33016 | 0 | 5412 ESS Bended Hinge (Body Part) |
| Parts List | | | |

Tél: (450) 979-4373
Fax: (450) 979-4626
www.exmweb.com

Flatness
Aplatissement
Max 3.0mm

Projection

| | |
|---------------------------------------------------------|------------------------|
| Customer Client | Date |
| Drawn By / Dessiné Par: BoxCad: BoxCad | Date: 26-Jun-23 |
| Material / Matière: 14 Ga Stainless Steel 316 (1.7mm) | |
| Color / Couleur: Unpainted | Finish / Fini: Brushed |
| Description: 5412ESSW 36" x 30" Cover | Detail Rev. |
| Part Number / Numéro Pièce: 5412ESSW3630166NOIPC | Rev. 0 |