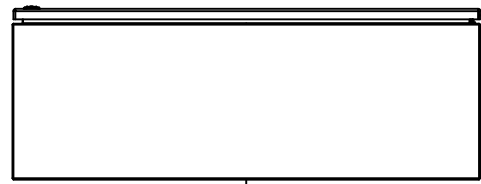
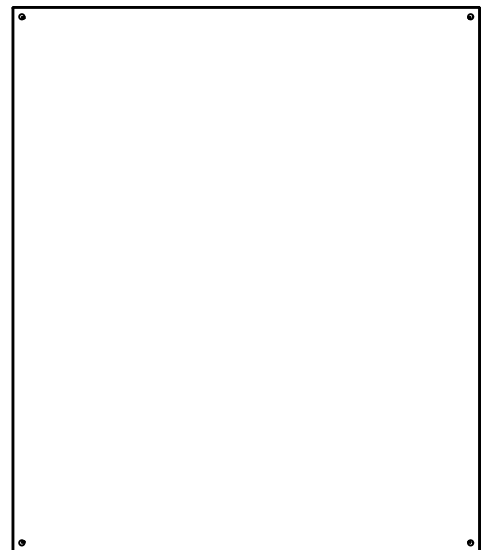


This drawing is confidential and must not be reproduced or used without the consent of EXM

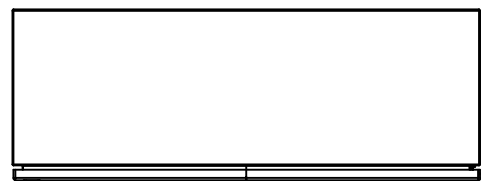
Ce dessin est confidentiel et ne doit pas être reproduit ou utilisé sans le consentement de EXM



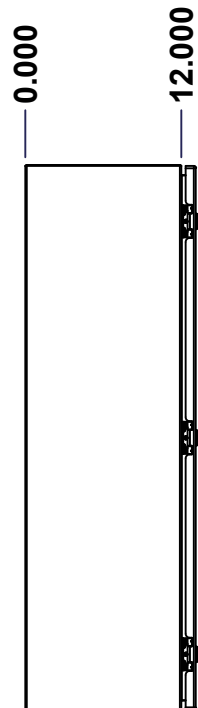
TOP



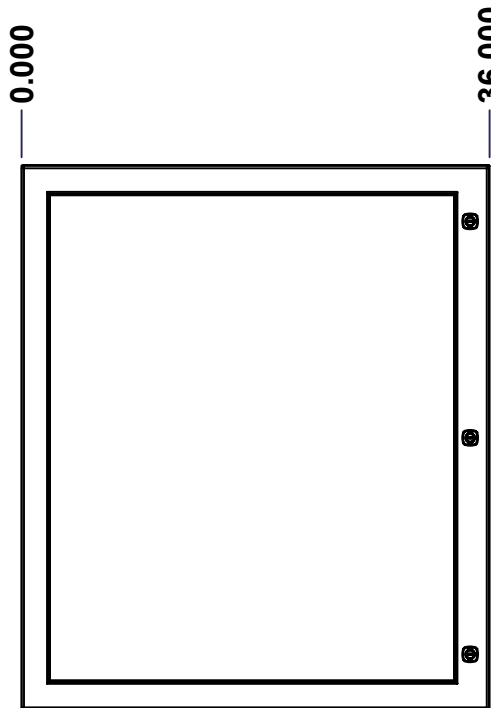
BACK



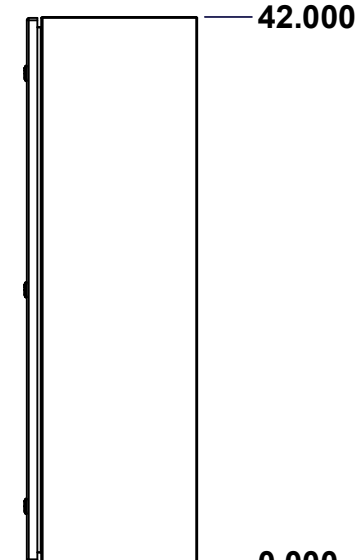
BOTTOM



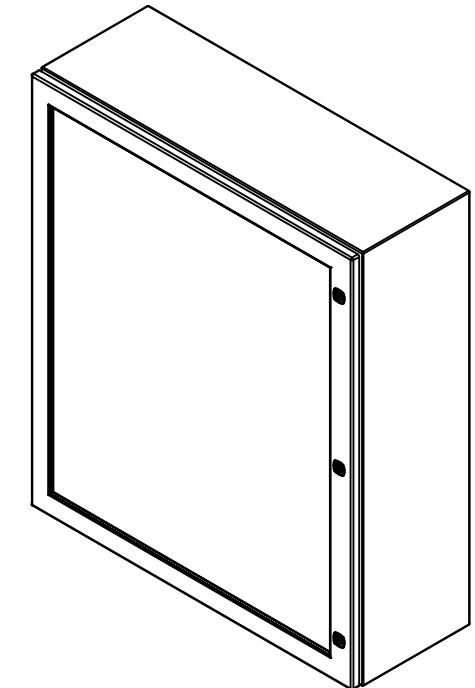
LEFT



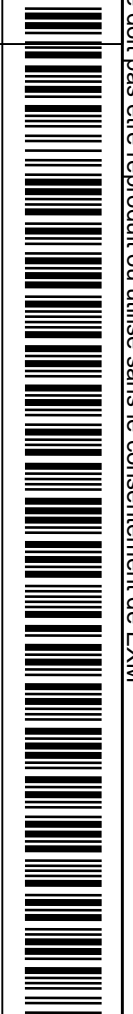
FRONT



RIGHT




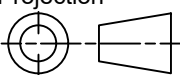
Isometric View



**GRAIN DIRECTION:
TOP/BOTTOM: HORIZONTAL
LEFT/RIGHT/BACK/FRONT: VERTICAL**

SEE BILL OF MATERIAL ON LAST PAGE

| No. | Revisions | Date | By/Par |
|-----|-----------|------|--------|
| | | | |
| | | | |
| | | | |
| | | | |

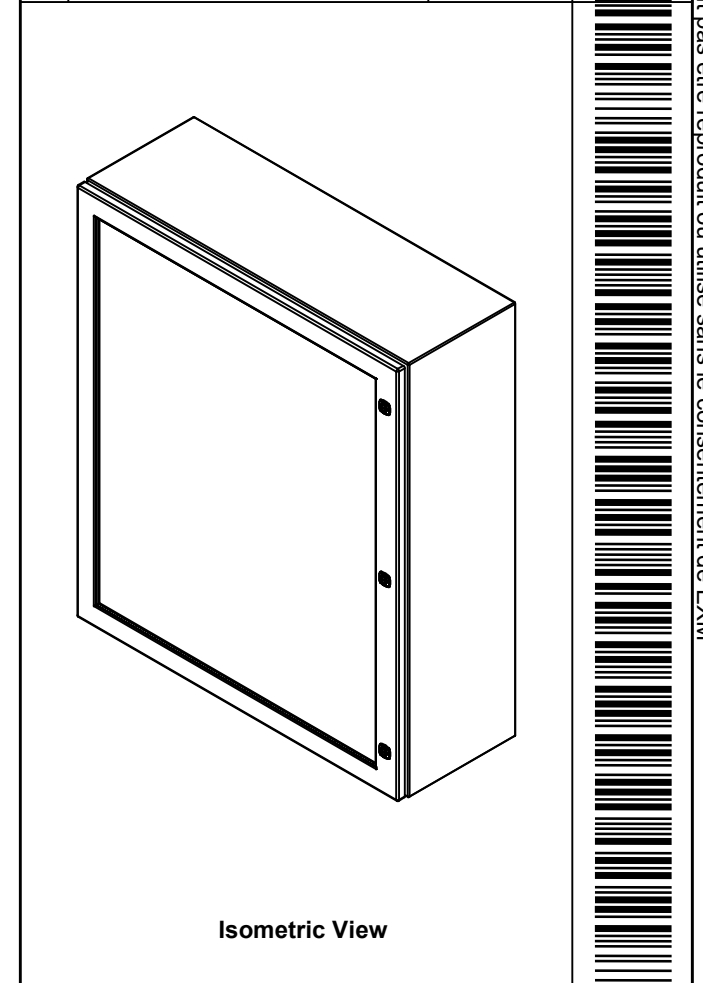
| | | |
|--|-----------------------------------|---|
|  Tél: (450) 979-4373 Fax: (450) 979-4626 www.exmweb.com | | Flatness Aplatissement Max 3.0mm Projection  |
| Customer Client | Date | |
| Drawn By Dessiné Par | BoxCad: BoxCad | Date 22-Jun-23 |
| Material Matière | 14 Ga Stainless Steel 316 (1.7mm) | |
| Color Couleur | Unpainted | Finish Fini Brushed |
| Description | Detail Rev. | |
| 5412ESSW 42" x 36" x 12" Assembly | | |
| Part Number Numéro Pièce | Rev. | 1 |
| 5412ESSW4236126NOIP | 0 | 9 |

This drawing is confidential and must not be reproduced or used without the consent of EXM

Ce dessin est confidentiel et ne doit pas être reproduit ou utilisé sans le consentement de EXM


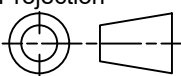
| NOTE | |
|------|--|
| ITEM | DESCRIPTION |
| 1 | NEMA 4X Enclosure |
| 2 | C/W Standard ground studs on box and cover |
| 3 | W/O Standard door stiffener |
| 4 | W/O Inner panel |
| 5 | C/W Standard inner panel mounting studs |

| No. | Revisions | Date | By/Par |
|-----|-----------|------|--------|
| | | | |
| | | | |
| | | | |
| | | | |
| | | | |
| | | | |



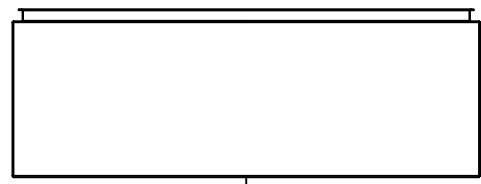
| PACKING | | |
|-----------------------|-----|--|
| ITEM | QTY | DESCRIPTION |
| Cardboard sleeve | 2 | Top and Bottom |
| Cardboard strip | 2 | Between back of enclosure and inner panel |
| Plastic bag | 1 | To protect cover surface and inside gasket |
| Cardboard corner | 4 | To reinforced for the plastic strap tightening |
| Plastic strap - Black | 2 | To Squeeze the 2 cardboard sleeve together |
| Packaging label | 3 | White label with PN |
| Plastic strap- Green | 2 | To secure the enclosure to the wood pallet |
| Wood Pallet | 1 | 2" deeper and 3" larger than enclosure size |

| | | | |
|------------|--------------------------|-----|--|
| 1 | STK-K-01800 | 5 | 5412 ES Accessory Kit |
| 1 | 5412ESSW4236126NOIP C | 0 | 5412ESSW 42" x 36" Cover |
| 1 | 5412ESSW4236126NOIP B | 0 | 5412ESSW 42" x 36" x 12" Body |
| 3 | STK-Q-04051-08 | 1 | M6 x 8mm Stainless Steel Hexagon Socket Head Machine Screw with Nyseal |
| Qty | Part Number | Rev | Description |
| Parts List | | | |

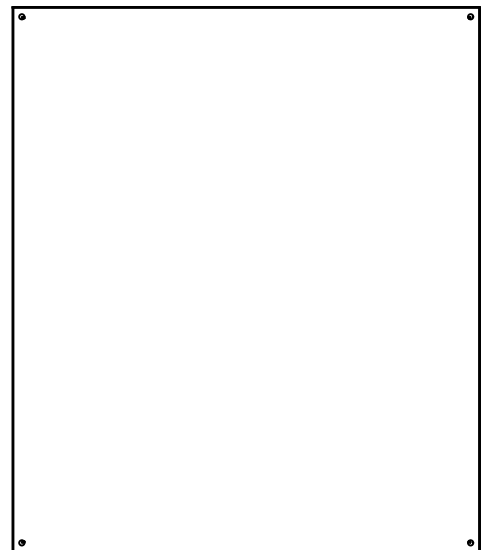
| | |
|--|---|
|  Tél: (450) 979-4373 Fax: (450) 979-4626 www.exmweb.com | Flatness Aplatissement Max 3.0mm |
| | Projection  |
| Customer Client | Date |
| Drawn By Dessiné Par BoxCad: BoxCad | Date 22-Jun-23 |
| Material Matière | 14 Ga Stainless Steel 316 (1.7mm) |
| Color Couleur | Unpainted |
| Finish Fini | Brushed |
| Description | Detail Rev. |
| 5412ESSW 42" x 36" x 12" Assembly | |
| Part Number Numéro Pièce | Rev. 2 |
| 5412ESSW4236126NOIP | 0 |

This drawing is confidential and must not be reproduced or used without the consent of EXM

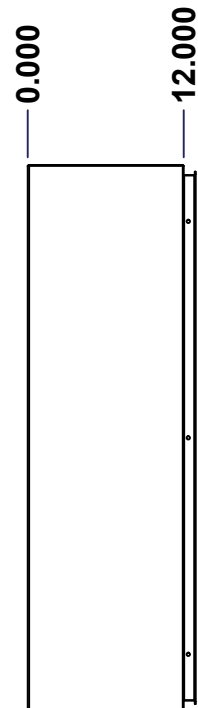
Ce dessin est confidentiel et ne doit pas être reproduit ou utilisé sans le consentement de EXM



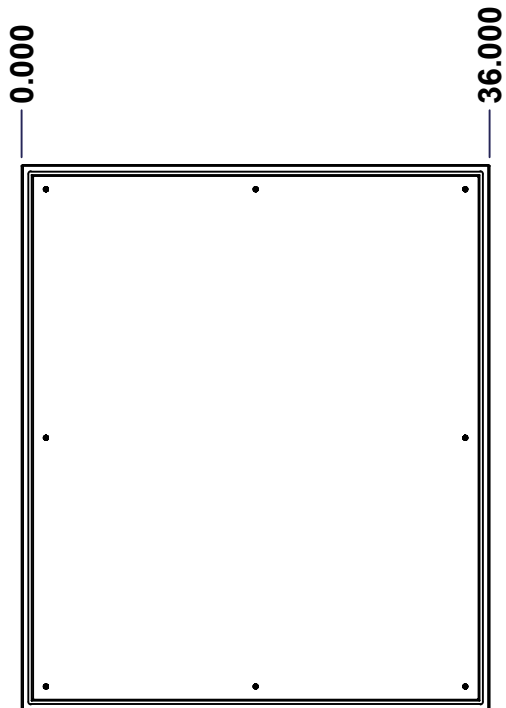
TOP



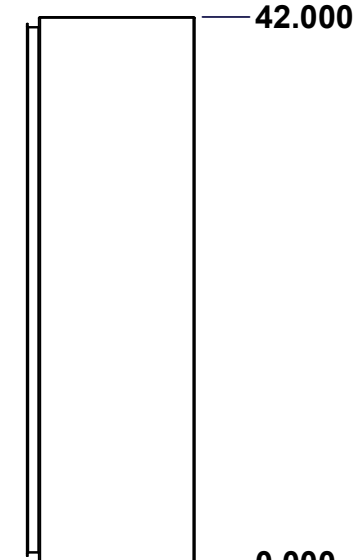
BACK



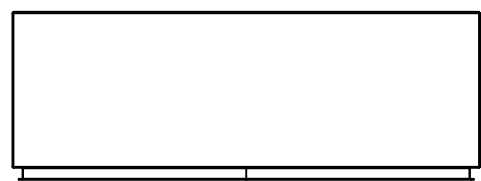
LEFT



FRONT

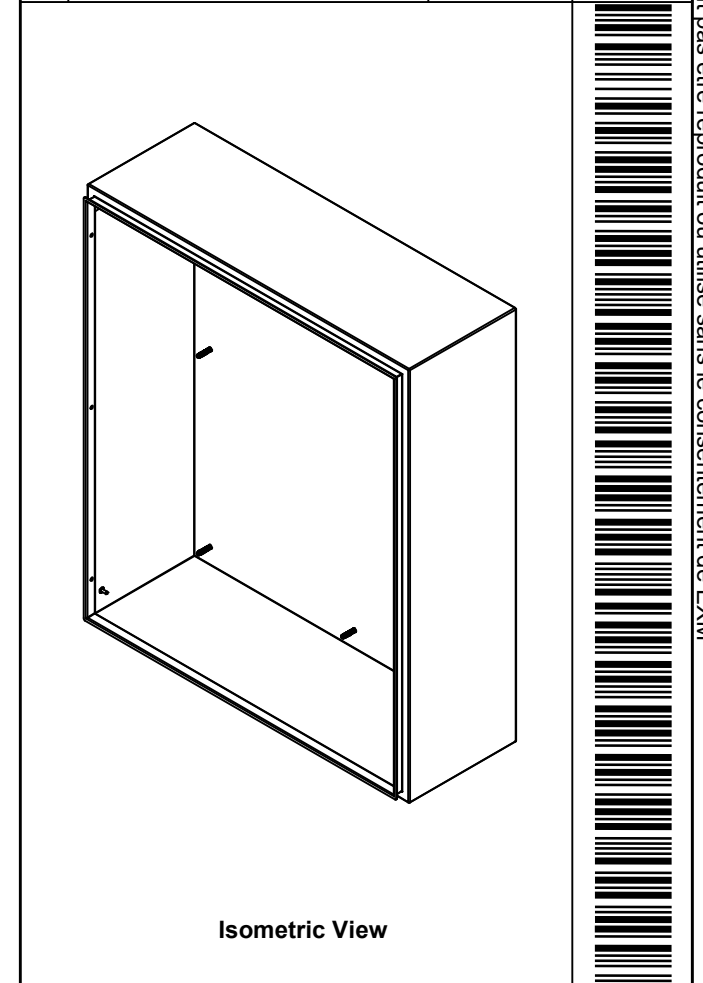


RIGHT

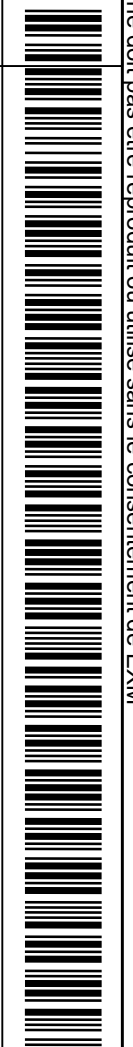


BOTTOM

| No. | Revisions | Date | By/Par |
|-----|-----------|------|--------|
| | | | |
| | | | |
| | | | |
| | | | |



Isometric View



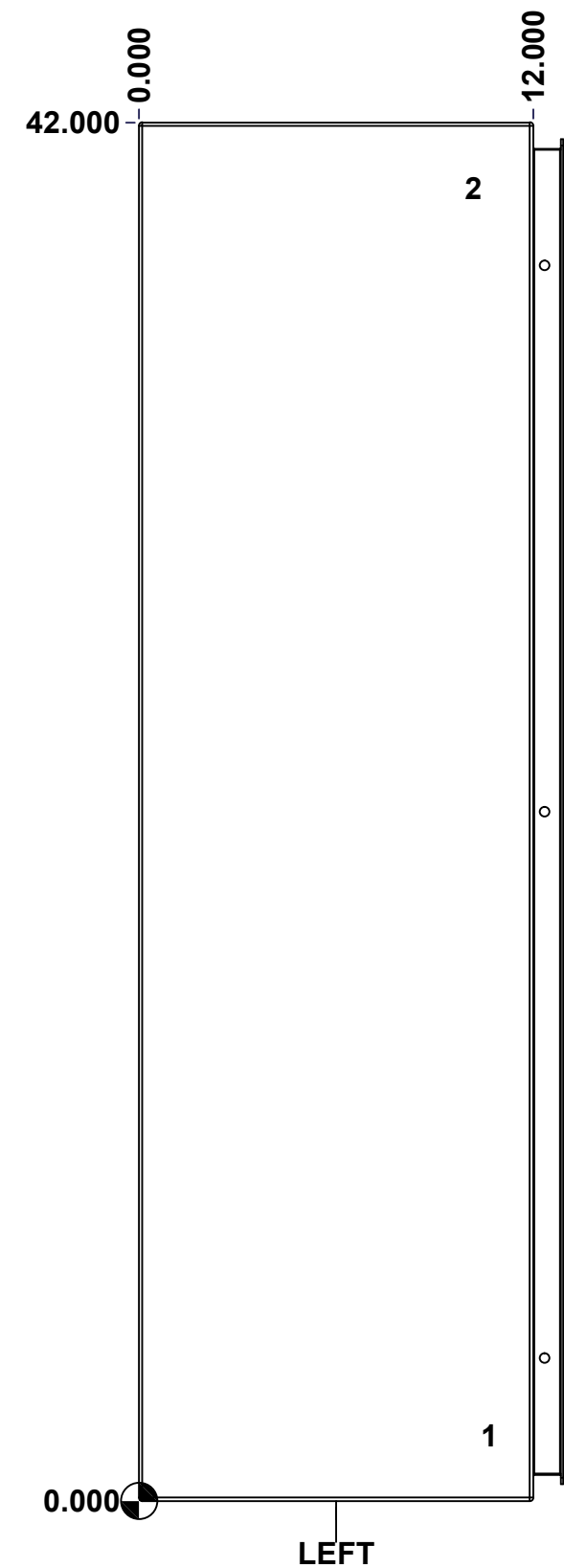
| | | |
|--|-----------------------------------|--|
| Tél: (450) 979-4373 Fax: (450) 979-4626 www.exmweb.com | | Flatness Aplatissement Max 3.0mm Projection |
| Customer Client | Date | |
| Drawn By Dessiné Par | BoxCad: BoxCad | Date 22-Jun-23 |
| Material Matière | 14 Ga Stainless Steel 316 (1.7mm) | |
| Color Couleur | Unpainted | Finish Fini Brushed |
| Description | Detail Rev. | |
| 5412ESSW 42" x 36" x 12" Body | | |
| Part Number Numéro Pièce | Rev. 0 | 3 9 |

SEE BILL OF MATERIAL ON LAST PAGE **5412ESSW4236126NOIPB**

This drawing is confidential and must not be reproduced or used without the consent of EXM

Ce dessin est confidentiel et ne doit pas être reproduit ou utilisé sans le consentement de EXM

| STANDARD FEATURES ARE NOT LISTED IN THIS HOLE TABLE | | | |
|---|--------|--------|-----------------------------|
| HOLE TABLE - LEFT VIEW (CUSTOM FEATURE ONLY) | | | |
| CUT-OUT | XDIM | YDIM | DESCRIPTION |
| 1 | 10.500 | 2.000 | GND STUD M6 x 16mm (Inside) |
| 2 | 10.000 | 40.000 | LABEL_EXM (Inside) |



| | | |
|--|-------------------------------|----------|
| | Description | Status |
| | 5412ESSW 42" x 36" x 12" Body | (NULL) |
| | Part Number Numéro Pièce | Rev. |
| | 5412ESSW4236126NOIPB | 0 |
| | | 4 |
| | | 9 |

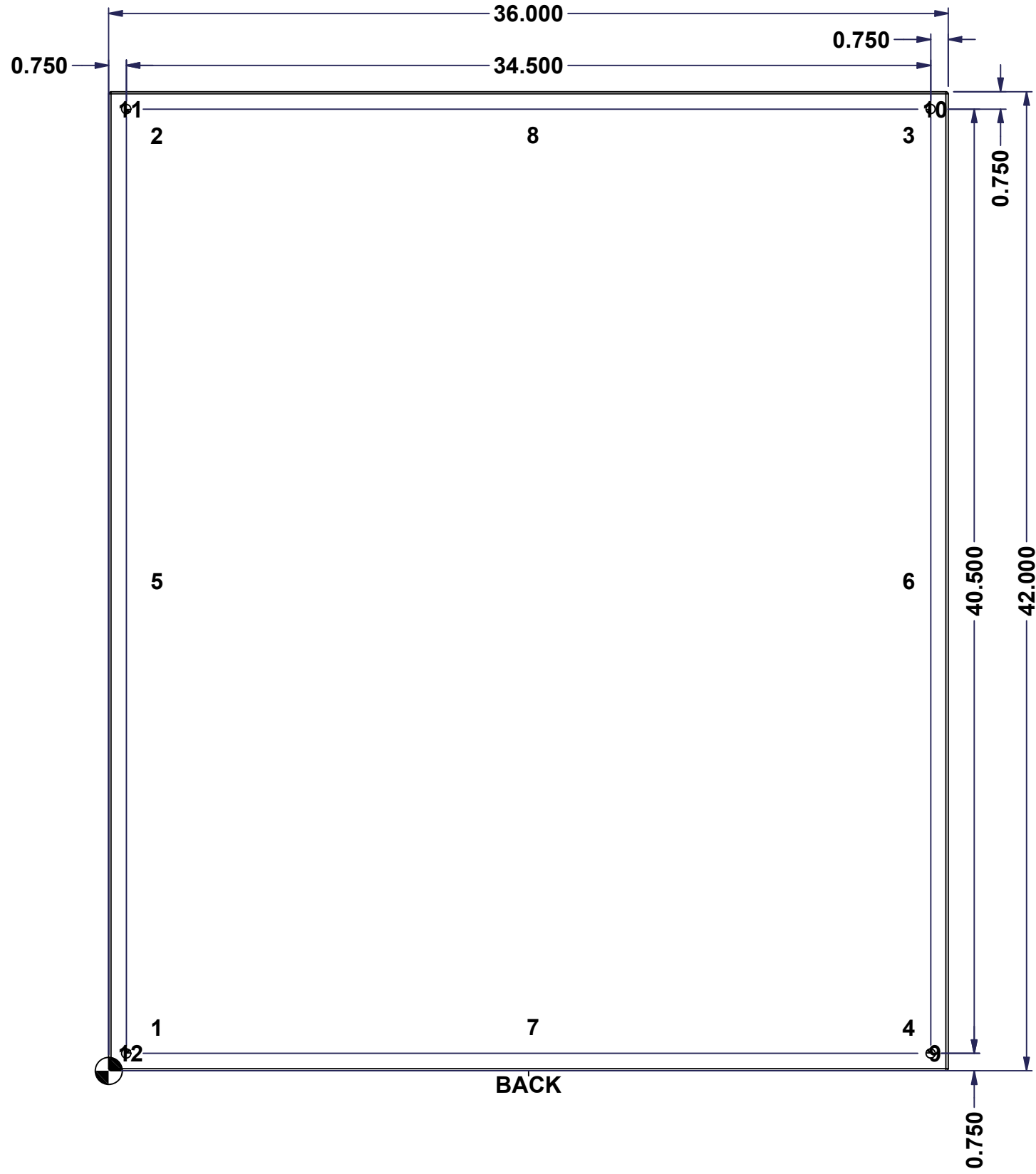
This drawing is confidential and must not be reproduced or used without the consent of EXM

Ce dessin est confidentiel et ne doit pas être reproduit ou utilisé sans le consentement de EXM

STANDARD FEATURES ARE NOT LISTED IN THIS HOLE TABLE

HOLE TABLE - BACK VIEW (CUSTOM FEATURE ONLY)

| CUT-OUT | XDIM | YDIM | DESCRIPTION |
|---------|--------|--------|----------------------------|
| 1 | 1.875 | 1.875 | IP STUD M8 x 35mm (Inside) |
| 2 | 1.875 | 40.125 | IP STUD M8 x 35mm (Inside) |
| 3 | 34.125 | 40.125 | IP STUD M8 x 35mm (Inside) |
| 4 | 34.125 | 1.875 | IP STUD M8 x 35mm (Inside) |
| 5 | 1.875 | 21.000 | IP STUD M8 x 35mm (Inside) |
| 6 | 34.125 | 21.000 | IP STUD M8 x 35mm (Inside) |
| 7 | 18.000 | 1.875 | IP STUD M8 x 35mm (Inside) |
| 8 | 18.000 | 40.125 | IP STUD M8 x 35mm (Inside) |
| ----- | | | |
| 9 | 35.250 | 0.750 | RND Ø0.390 |
| 10 | 35.250 | 41.250 | RND Ø0.390 |
| 11 | 0.750 | 41.250 | RND Ø0.390 |
| 12 | 0.750 | 0.750 | RND Ø0.390 |

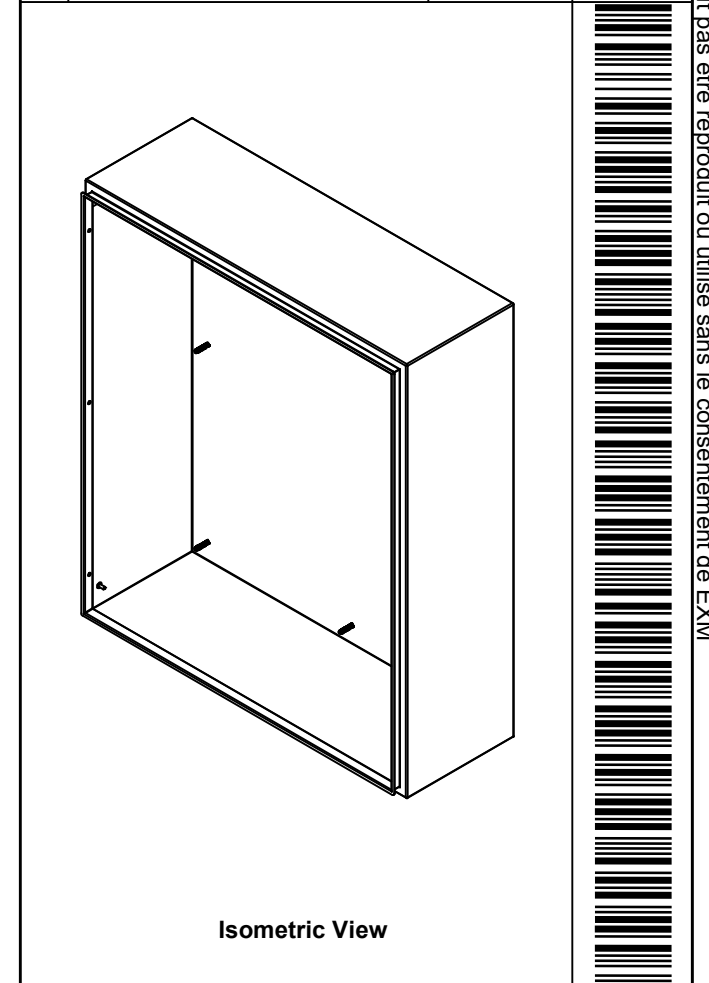




| | | |
|--|-------------------------------|------------------|
| | Description | Status |
| | 5412ESSW 42" x 36" x 12" Body | (NULL) |
| | Part Number Numéro Pièce | Rev. |
| | 5412ESSW4236126NOIPB | 0 / 5 / 9 |

This drawing is confidential and must not be reproduced or used without the consent of EXM

Ce dessin est confidentiel et ne doit pas être reproduit ou utilisé sans le consentement de EXM

| No. | Revisions | Date | By/Par |
|-----|-----------|------|--------|
| | | | |
| | | | |
| | | | |
| | | | |
| | | | |

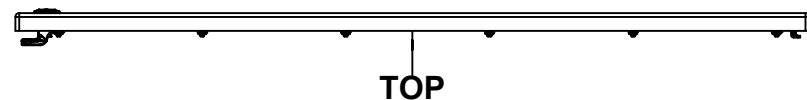


| | | |
|--|------------------------|--|
|  Tél: (450) 979-4373 Fax: (450) 979-4626 www.exmweb.com | | Flatness Aplatissement  Max 3.0mm |
| Customer Client | | Date |
| Drawn By Dessiné Par BoxCad: BoxCad | | Date 22-Jun-23 |
| Material Matière 14 Ga Stainless Steel 316 (1.7mm) | | |
| Color Couleur Unpainted | Finish Fini Brushed | |
| Description 5412ESSW 42" x 36" x 12" Body | | Detail Rev. |
| Part Number Numéro Pièce 5412ESSW4236126NOIPB | | Rev. 6 0 |

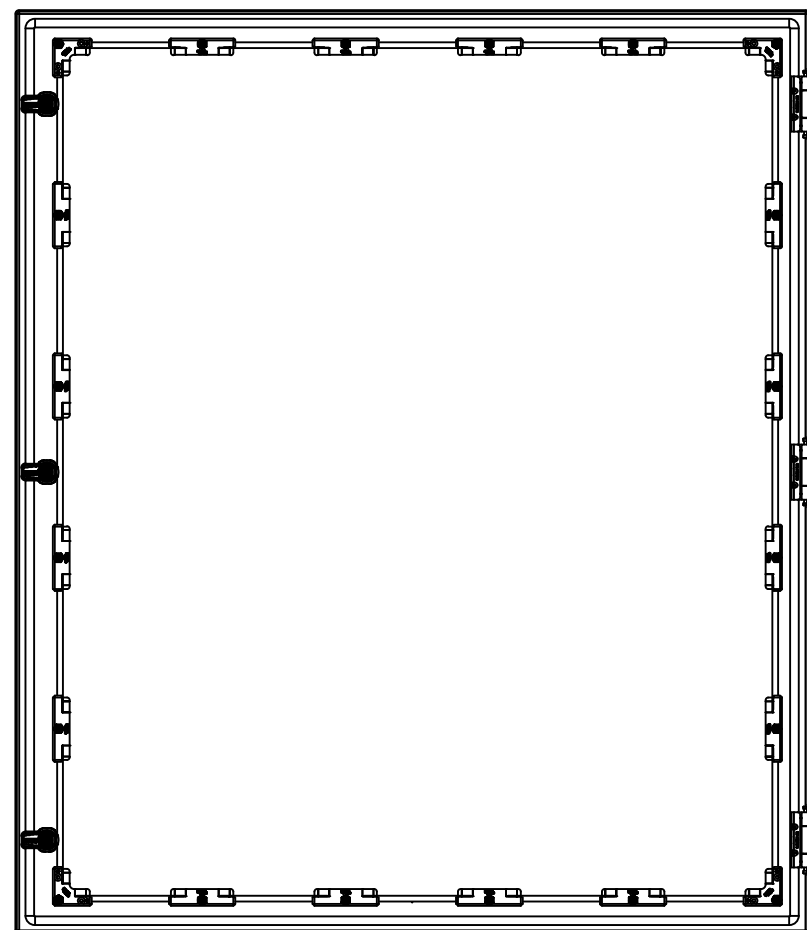
| Qty | Part Number | Rev | Description |
|------------|----------------------------|-----|--|
| 1 | STK-S-00100 | 0 | 3.5" x 2" Silver Milar Flexcon Sticker |
| 1 | STK-Q-16085 | 0 | Ground Stud M6 x 16mm Stainless Steel |
| 8 | STK-Q-16020 | 1 | Stud M8 x 35mm Stainless Steel |
| 1 | 5412ESSW4236126NOIP B-P | 0 | 5412ESSW 42" x 36" x 12" Body Part |
| Parts List | | | |

This drawing is confidential and must not be reproduced or used without the consent of EXM

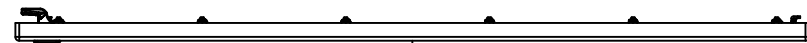
Ce dessin est confidentiel et ne doit pas être reproduit ou utilisé sans le consentement de EXM



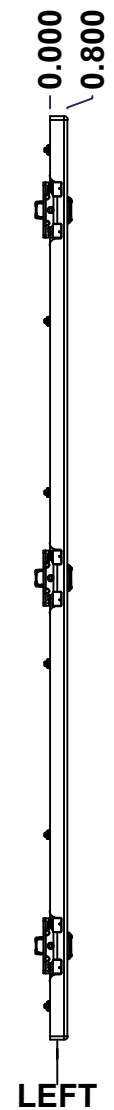
TOP



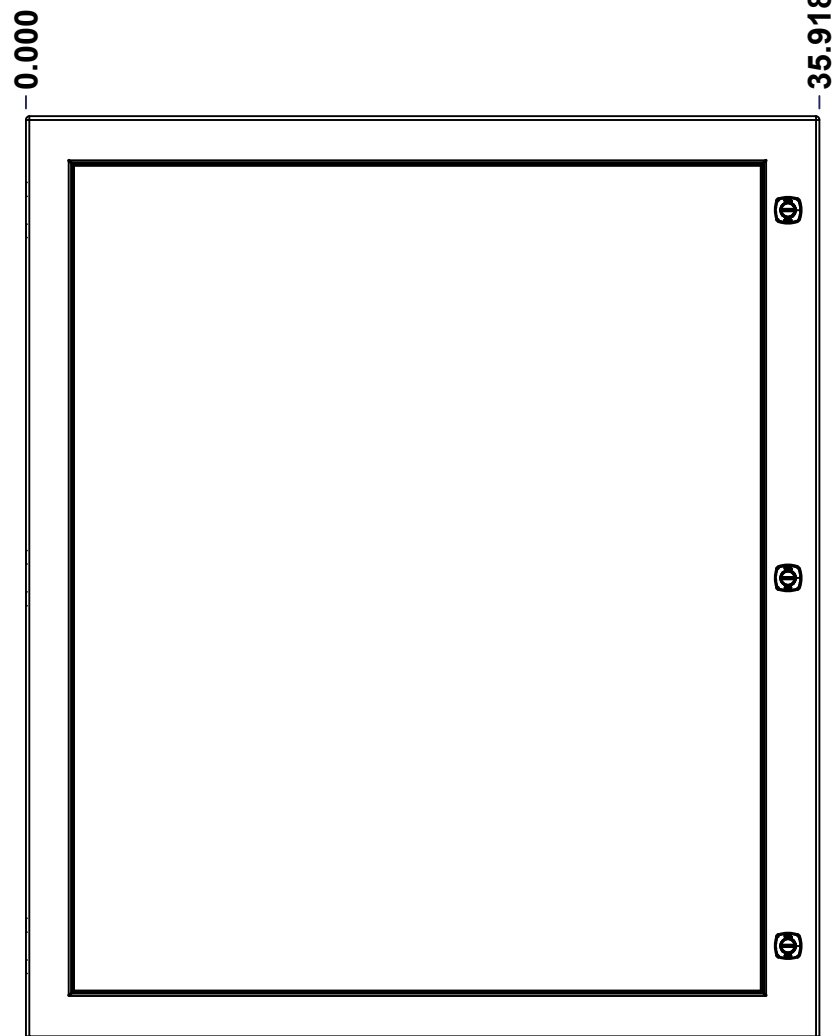
BACK



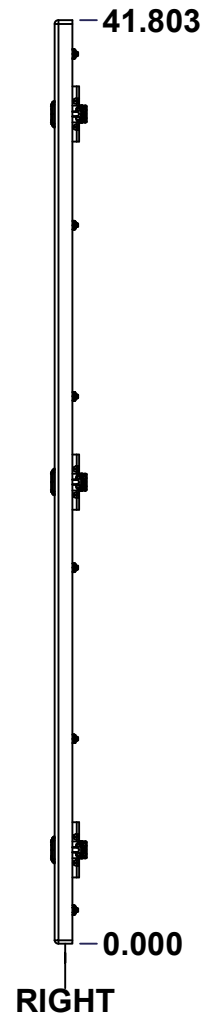
BOTTOM



LEFT

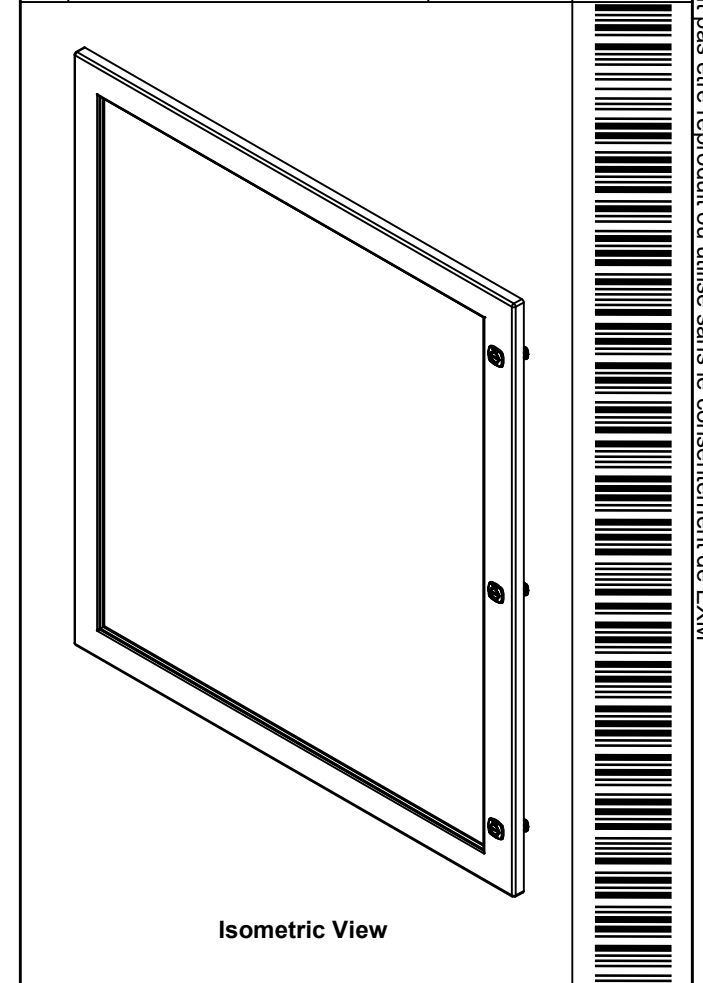


FRONT

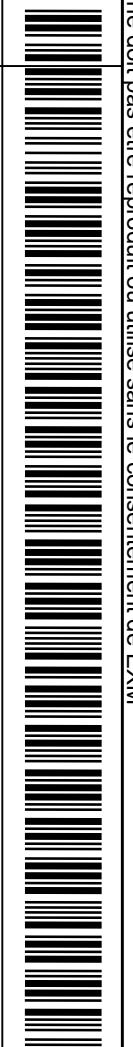


RIGHT

| No. | Revisions | Date | By/Par |
|-----|-----------|------|--------|
| | | | |
| | | | |
| | | | |
| | | | |



Isometric View



| | | |
|--|-----------------------------------|--|
| Tél: (450) 979-4373 Fax: (450) 979-4626 www.exmweb.com | | Flatness Aplatissement Max 3.0mm Projection |
| Customer Client | Date | |
| Drawn By Dessiné Par | BoxCad: BoxCad | Date 22-Jun-23 |
| Material Matière | 14 Ga Stainless Steel 316 (1.7mm) | |
| Color Couleur | Unpainted | Finish Fini Brushed |
| Description | Detail Rev. | |
| 5412ESSW 42" x 36" Cover | | |
| Part Number Numéro Pièce | Rev. 0 | 7 9 |

SEE BILL OF MATERIAL ON LAST PAGE **5412ESSW4236126NOIPC**

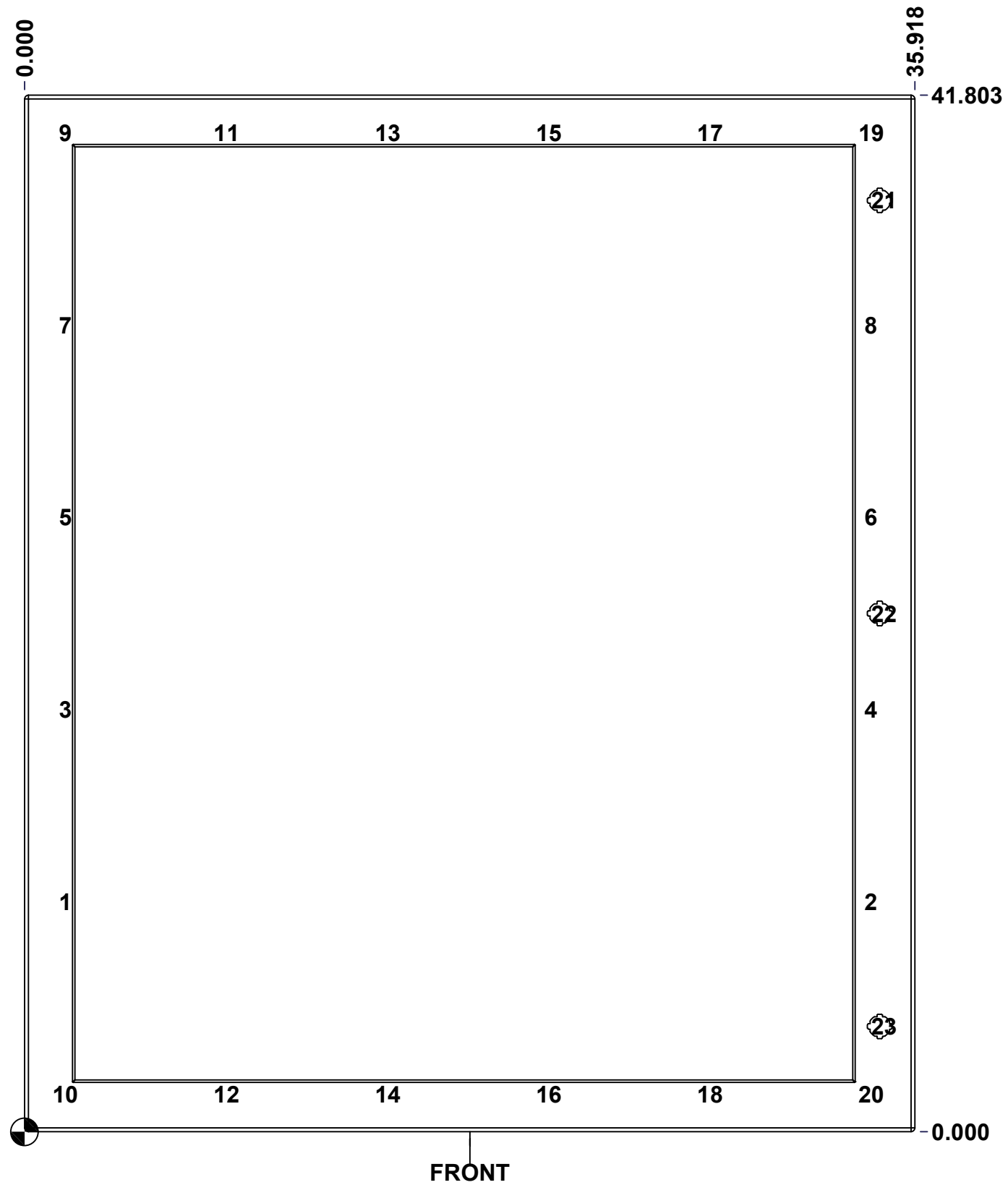
This drawing is confidential and must not be reproduced or used without the consent of EXM

Ce dessin est confidentiel et ne doit pas être reproduit ou utilisé sans le consentement de EXM

STANDARD FEATURES ARE NOT LISTED IN THIS HOLE TABLE

HOLE TABLE - FRONT VIEW (CUSTOM FEATURE ONLY)

| CUT-OUT | XDIM | YDIM | DESCRIPTION |
|---------|--------|--------|-------------------------|
| 1 | 1.469 | 9.277 | STUD M6 x 18mm (Inside) |
| 2 | 33.968 | 9.277 | STUD M6 x 18mm (Inside) |
| 3 | 1.469 | 17.027 | STUD M6 x 18mm (Inside) |
| 4 | 33.968 | 17.027 | STUD M6 x 18mm (Inside) |
| 5 | 1.469 | 24.776 | STUD M6 x 18mm (Inside) |
| 6 | 33.968 | 24.776 | STUD M6 x 18mm (Inside) |
| 7 | 1.469 | 32.526 | STUD M6 x 18mm (Inside) |
| 8 | 33.968 | 32.526 | STUD M6 x 18mm (Inside) |
| 9 | 1.469 | 40.276 | STUD M6 x 18mm (Inside) |
| 10 | 1.469 | 1.527 | STUD M6 x 18mm (Inside) |
| 11 | 7.969 | 40.276 | STUD M6 x 18mm (Inside) |
| 12 | 7.969 | 1.527 | STUD M6 x 18mm (Inside) |
| 13 | 14.469 | 40.276 | STUD M6 x 18mm (Inside) |
| 14 | 14.469 | 1.527 | STUD M6 x 18mm (Inside) |
| 15 | 20.968 | 40.276 | STUD M6 x 18mm (Inside) |
| 16 | 20.968 | 1.527 | STUD M6 x 18mm (Inside) |
| 17 | 27.468 | 40.276 | STUD M6 x 18mm (Inside) |
| 18 | 27.468 | 1.527 | STUD M6 x 18mm (Inside) |
| 19 | 33.968 | 40.276 | STUD M6 x 18mm (Inside) |
| 20 | 33.968 | 1.527 | STUD M6 x 18mm (Inside) |
| ----- | | | |
| 21 | 34.494 | 37.553 | 880 SCQ4-SLSS6 |
| 22 | 34.494 | 20.902 | 880 SCQ4-SLSS6 |
| 23 | 34.494 | 4.250 | 880 SCQ4-SLSS6 |

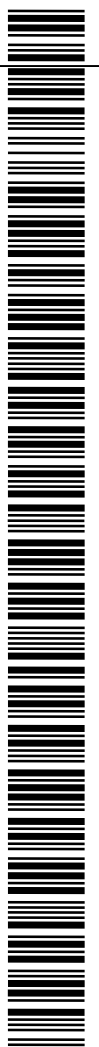
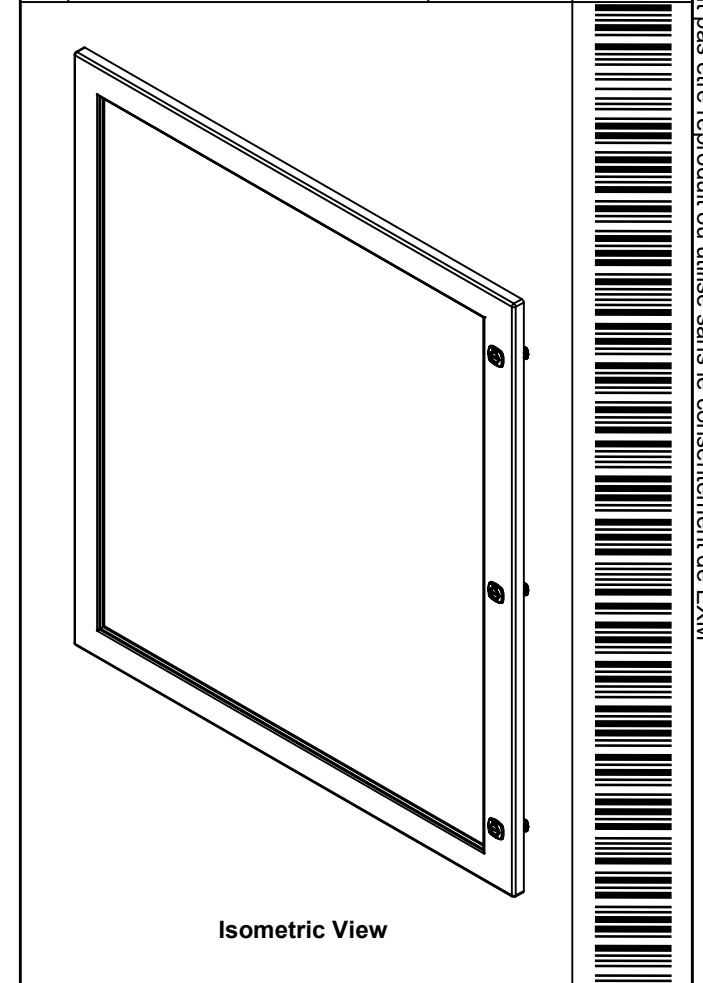


| | | |
|--|-----------------------------|----------|
| | Description | Status |
| | 5412ESSW 42" x 36" Cover | (NULL) |
| | Part Number | Rev. |
| | Numéro Pièce | 8 |
| | 5412ESSW4236126NOIPC | 0 |
| | | 9 |

This drawing is confidential and must not be reproduced or used without the consent of EXM

Ce dessin est confidentiel et ne doit pas être reproduit ou utilisé sans le consentement de EXM

| No. | Revisions | Date | By/Par |
|-----|-----------|------|--------|
| | | | |
| | | | |
| | | | |
| | | | |
| | | | |



| | | | |
|------------|-------------------------|-----|---------------------------------------|
| 16 | STK-Q-60701 | 2.1 | 880 WK - Lexan 1/4" Fixing Bracket |
| 1 | STK-A-60703 | 0 | 5412 ESW Lexan Bracket Kit |
| 20 | STK-Q-16053 | 1 | Stud M6 x 23mm Stainless steel |
| 1 | STK-G-02710 | 0 | 880 HWKG - Windows Kit Gasket |
| 1 | 5412ESSW4236126NOIP LXG | 0 | 5412ESSW 42" x 36" Lexan Gasket Part |
| 1 | 5412ESSW4236126NOIP LX | 0 | 5412ESSW 38.375" x 32.125" Lexan Part |
| 1 | 5412ESSW4236126NOIP G | 0 | 5412ESSW 42" x 36" Cover Gasket Part |
| 1 | 5412ESSW4236126NOIP C-P | 0 | 5412ESSW 42" x 36" Cover Part |
| 3 | 880 SCQ4-SLSS6 | 7 | 5412 ESS 1/4 Turn Lock |
| 3 | STK-A-33016 | 0 | 5412 ESS Bended Hinge (Body Part) |
| QTY | Part Number | Rev | Description |
| Parts List | | | |

| | | |
|--|------------------------|--|
| Tél: (450) 979-4373 Fax: (450) 979-4626 www.exmweb.com | | Flatness Aplatissement Max 3.0mm Projection |
| Customer Client | Date | |
| Drawn By / Dessiné Par: BoxCad: BoxCad | Date: 22-Jun-23 | |
| Material / Matière: 14 Ga Stainless Steel 316 (1.7mm) | | |
| Color / Couleur: Unpainted | Finish / Fini: Brushed | |
| Description: 5412ESSW 42" x 36" Cover | | Detail Rev. |
| Part Number / Numéro Pièce: 5412ESSW4236126NOIPC | | Rev. 0 |
| | | 9 |