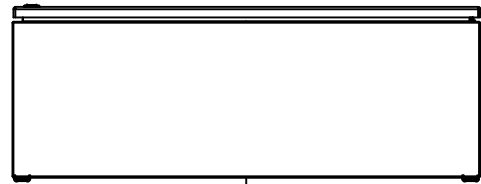
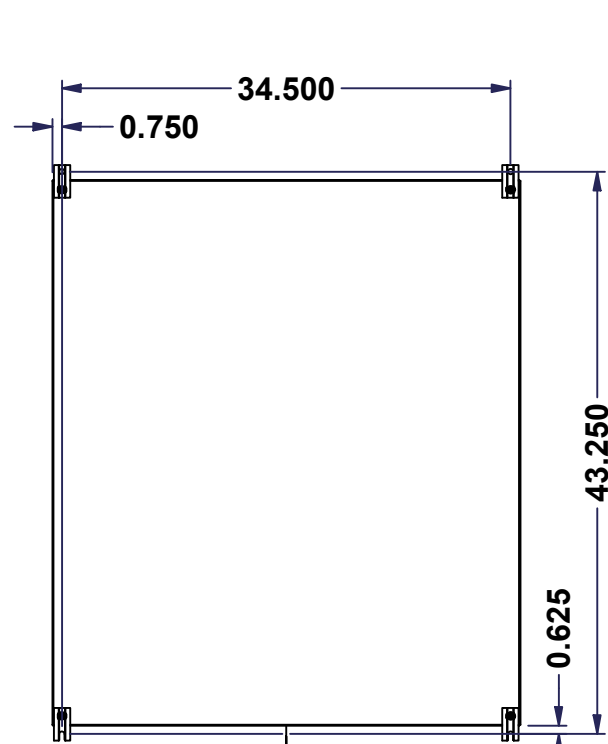


This drawing is confidential and must not be reproduced or used without the consent of EXM

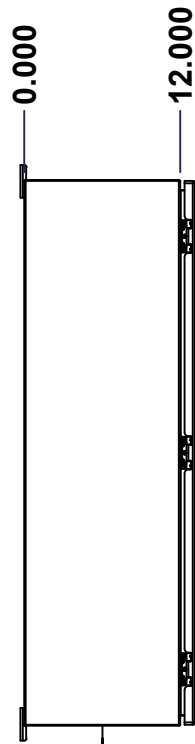
Ce dessin est confidentiel et ne doit pas être reproduit ou utilisé sans le consentement de EXM



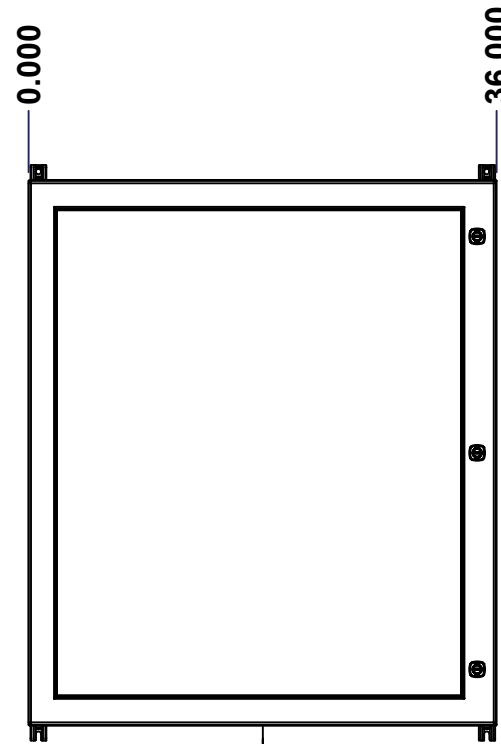
TOP



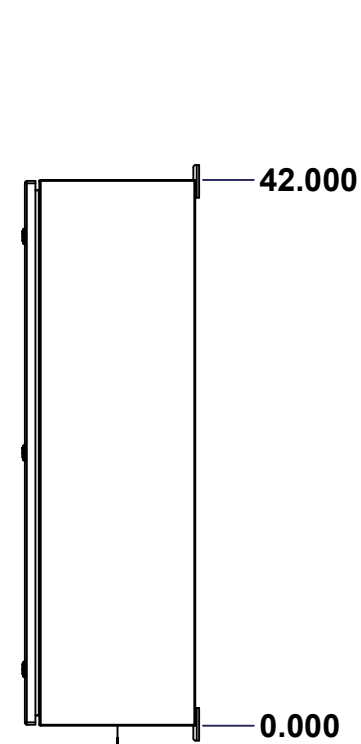
BACK



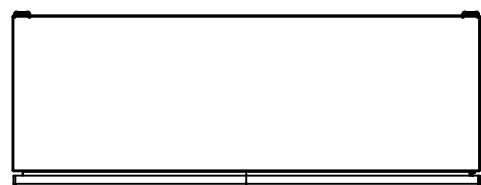
LEFT



FRONT

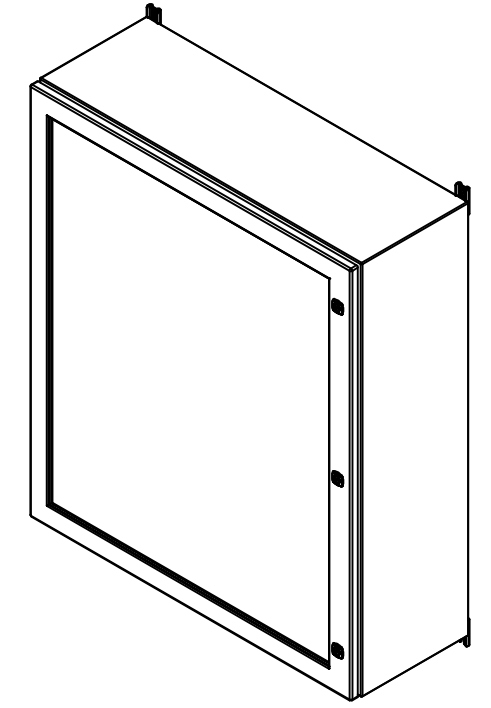


RIGHT



BOTTOM

| No. | Revisions | Date | By/Par |
|-----|-----------|------|--------|
| | | | |
| | | | |
| | | | |
| | | | |



Isometric View



**GRAIN DIRECTION:
TOP/BOTTOM: HORIZONTAL
LEFT/RIGHT/BACK/FRONT: VERTICAL**

SEE BILL OF MATERIAL ON LAST PAGE

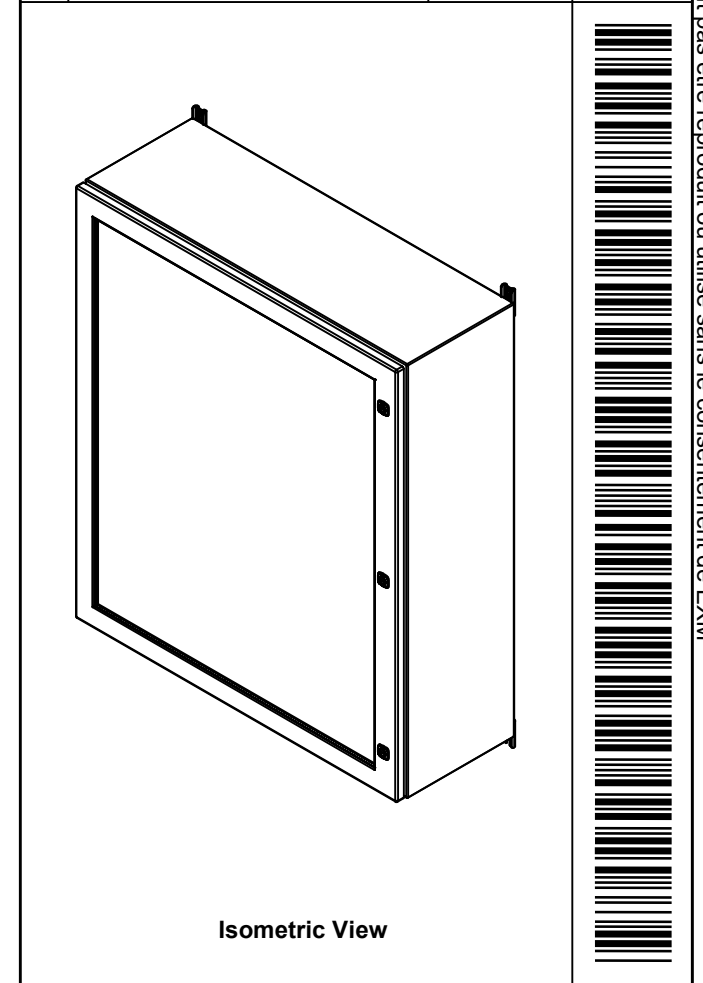
| | |
|---|--|
| | Flatness Aplatissement Max 3.0mm |
| | Projection |
| Customer Client | Date |
| Drawn By Dessiné Par BoxCad: BoxCad | Date 07-Jun-23 |
| Material Matière 14 Ga Stainless Steel 304 (1.7mm) | |
| Color Couleur Unpainted | Finish Fini Brushed |
| Description 5412ESSW 42" x 36" x 12" Assembly | |
| Part Number Numéro Pièce 5412ESSW423612TH | Detail Rev. Rev. 1 0 |

This drawing is confidential and must not be reproduced or used without the consent of EXM

Ce dessin est confidentiel et ne doit pas être reproduit ou utilisé sans le consentement de EXM

| NOTE | |
|------|---|
| ITEM | DESCRIPTION |
| 1 | NEMA 4X Enclosure |
| 2 | C/W Standard ground studs on box and cover |
| 3 | W/O Standard door stiffener |
| 4 | C/W Standard inner panel (Included) |
| 5 | C/W Standard inner panel mounting studs |
| 6 | C/W 885 ESMF4_OPEN Sold separately (Installed) |
| 7 | C/W 885 ESMF4_CLOSE Sold separately (Installed) |
| 8 | C/W R5 Insulation (Installed by EXM) |

| No. | Revisions | Date | By/Par |
|-----|-----------|------|--------|
| | | | |
| | | | |
| | | | |
| | | | |
| | | | |
| | | | |





Tél: (450) 979-4373
Fax: (450) 979-4626
www.exmweb.com

Flatness
Aplatissement
Max 3.0mm

Projection



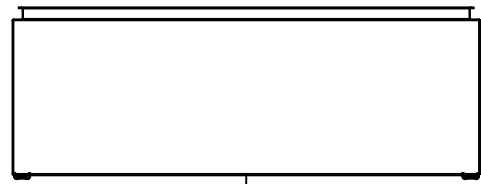
| PACKING | | |
|-----------------------|-----|--|
| ITEM | QTY | DESCRIPTION |
| Cardboard sleeve | 2 | Top and Bottom |
| Cardboard strip | 2 | Between back of enclosure and inner panel |
| Plastic bag | 1 | To protect cover surface and inside gasket |
| Cardboard corner | 4 | To reinforced for the plastic strap tightening |
| Plastic strap - Black | 2 | To Squeeze the 2 cardboard sleeve together |
| Packaging label | 3 | White label with PN |
| Plastic strap- Green | 2 | To secure the enclosure to the wood pallet |
| Wood Pallet | 1 | 2" deeper and 3" larger than enclosure size |

| | | | |
|------------|-------------------|-----|--|
| 8 | STK-Q-00600 | 2 | M12 to M8 Adaptor |
| 1 | 881 SP4236G | 0 | 881 SP - Inner Panel |
| 1 | STK-K-01800 | 5 | 5412 ES Accessory Kit |
| 1 | 5412ESSW423612THC | 0 | 5412ESSW 42" x 36" Cover |
| 1 | 5412ESSW423612THB | 0 | 5412ESSW 42" x 36" x 12" Body |
| 3 | STK-Q-04051-08 | 1 | M6 x 8mm Stainless Steel Hexagon Socket Head Machine Screw with Nyseal |
| Qty | Part Number | Rev | Description |
| Parts List | | | |

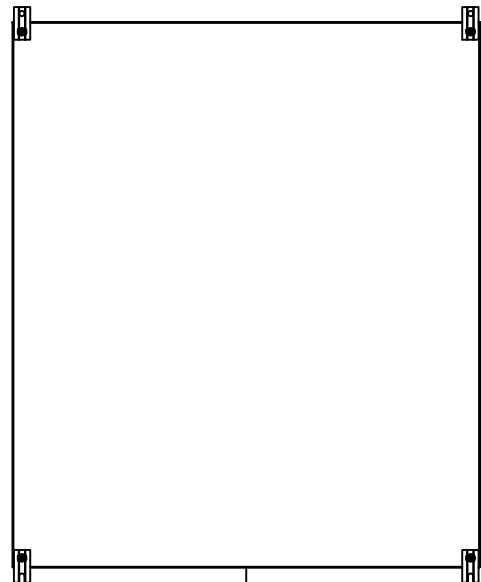
| | |
|-----------------------------------|-------------------------------------|
| Customer Client | Date |
| Drawn By Dessiné Par | BoxCad: BoxCad Date 07-Jun-23 |
| Material Matière | 14 Ga Stainless Steel 304 (1.7mm) |
| Color Couleur | Unpainted Finish Fini Brushed |
| Description | Detail Rev. |
| 5412ESSW 42" x 36" x 12" Assembly | |
| Part Number Numéro Pièce | Rev. 2 |
| 5412ESSW423612TH | 0 |

This drawing is confidential and must not be reproduced or used without the consent of EXM

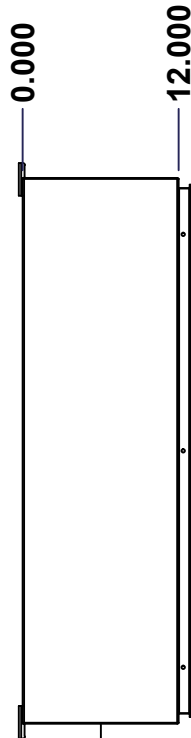
Ce dessin est confidentiel et ne doit pas être reproduit ou utilisé sans le consentement de EXM



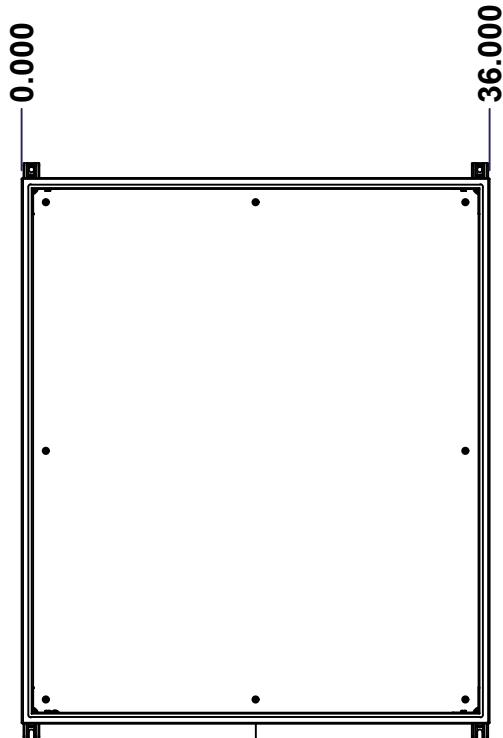
TOP



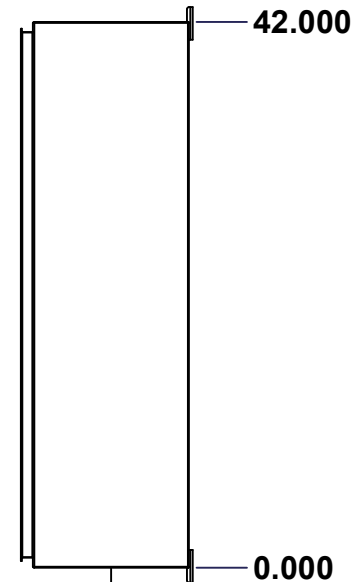
BACK



LEFT



FRONT

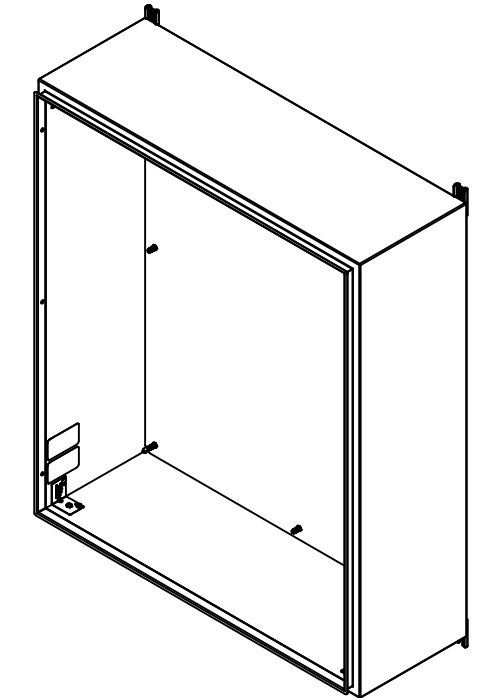


RIGHT



BOTTOM

| No. | Revisions | Date | By/Par |
|-----|-----------|------|--------|
| | | | |
| | | | |
| | | | |
| | | | |



Isometric View



Tél: (450) 979-4373
 Fax: (450) 979-4626
www.exmweb.com

Flatness
Aplatissement
Max 3.0mm
Projection

| | |
|---|------------------------|
| Customer Client | Date |
| Drawn By Dessiné Par BoxCad: BoxCad | Date 07-Jun-23 |
| Material Matière 14 Ga Stainless Steel 304 (1.7mm) | |
| Color Couleur Unpainted | Finish Fini Brushed |
| Description 5412ESSW 42" x 36" x 12" Body | Detail Rev. |

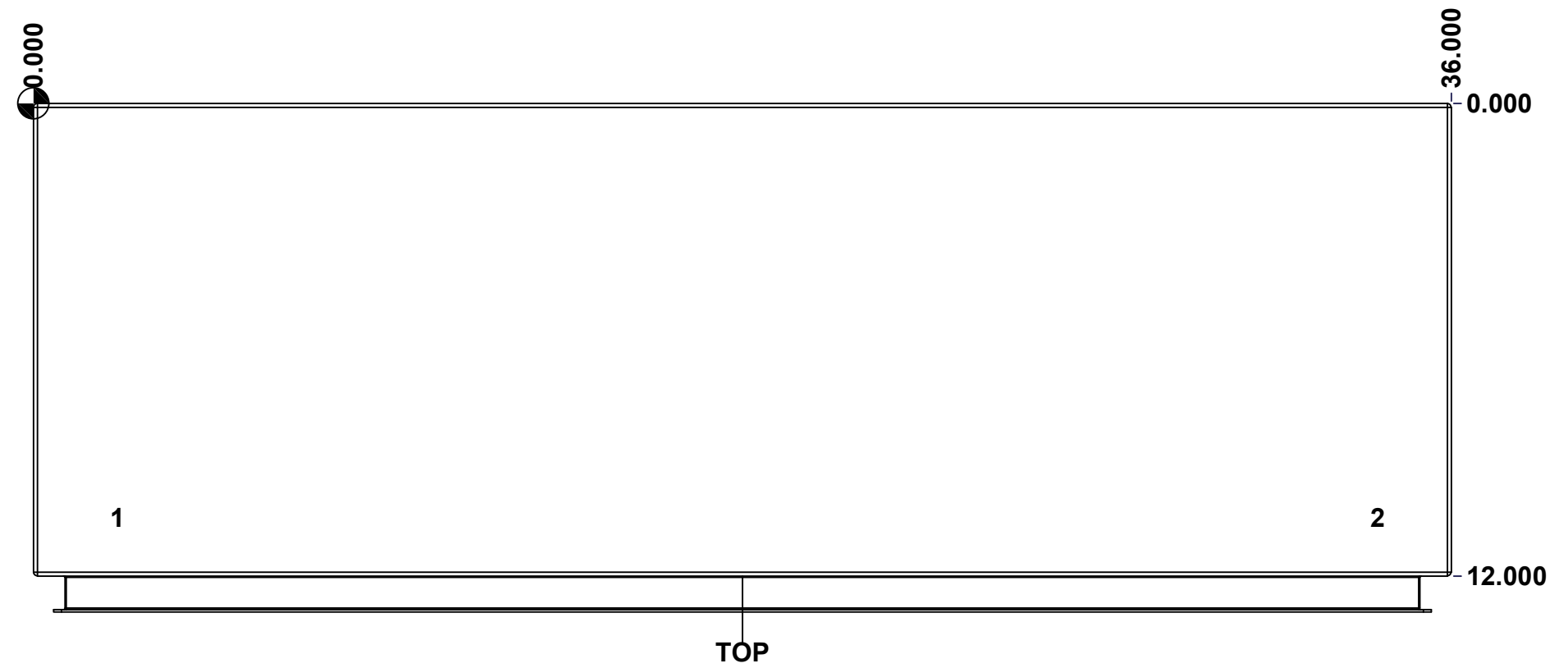
| | | |
|-----------------------------|----------|----|
| Part Number Numéro Pièce | Rev. | 3 |
| 5412ESSW423612THB | 0 | 15 |

SEE BILL OF MATERIAL ON LAST PAGE

This drawing is confidential and must not be reproduced or used without the consent of EXM

Ce dessin est confidentiel et ne doit pas être reproduit ou utilisé sans le consentement de EXM

| STANDARD FEATURES ARE NOT LISTED IN THIS HOLE TABLE | | | |
|--|--------|--------|--------------------------------|
| HOLE TABLE - TOP VIEW (CUSTOM FEATURE ONLY) | | | |
| CUT-OUT | XDIM | YDIM | DESCRIPTION |
| 1 | 2.000 | 10.500 | INSUL. STUD M6 x 18mm (Inside) |
| 2 | 34.000 | 10.500 | INSUL. STUD M6 x 18mm (Inside) |

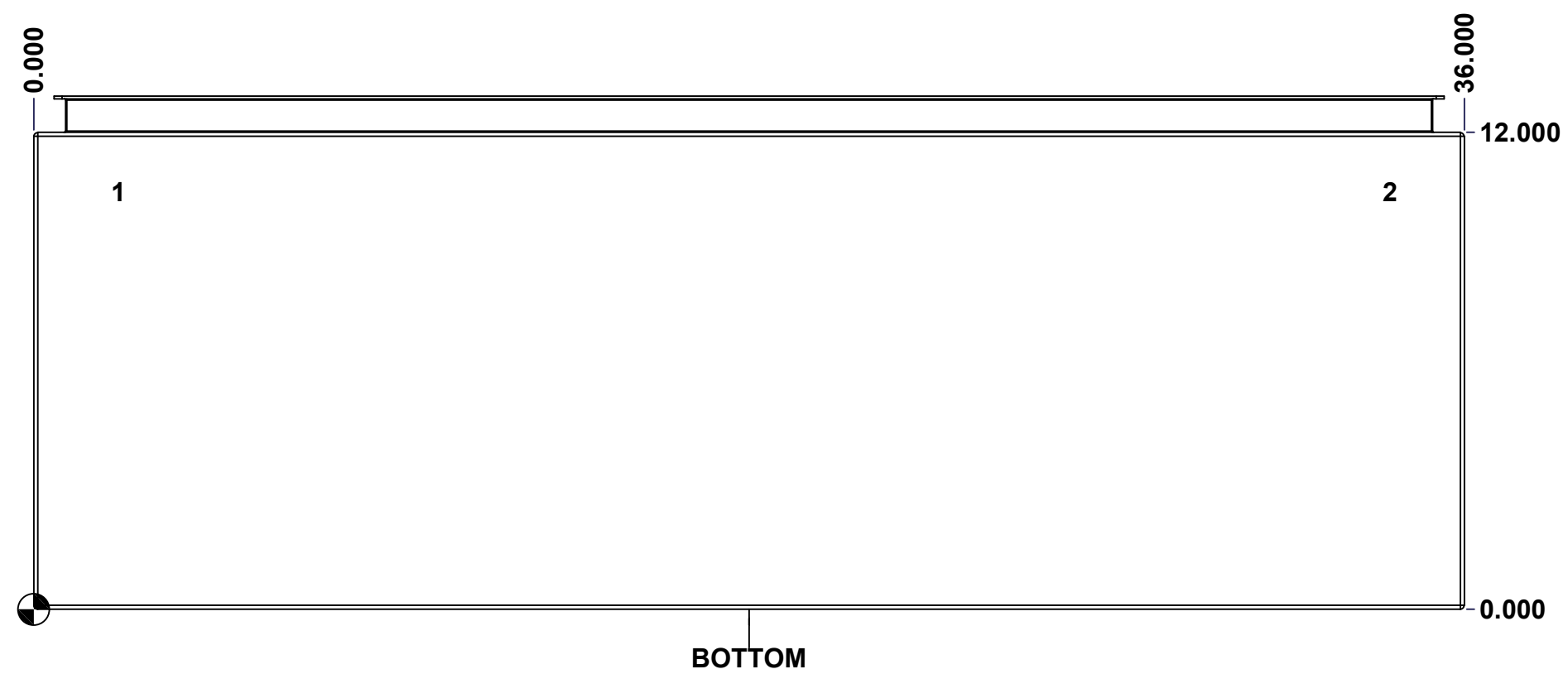


| | | |
|--|-------------------------------|----------|
| | Description | Status |
| | 5412ESSW 42" x 36" x 12" Body | (NULL) |
| | Part Number Numéro Pièce | Rev. |
| | 5412ESSW423612THB | 0 |
| | | 4 |
| | | 15 |

This drawing is confidential and must not be reproduced or used without the consent of EXM

Ce dessin est confidentiel et ne doit pas être reproduit ou utilisé sans le consentement de EXM

| STANDARD FEATURES ARE NOT LISTED IN THIS HOLE TABLE | | | |
|--|--------|--------|--------------------------------|
| HOLE TABLE - BOTTOM VIEW (CUSTOM FEATURE ONLY) | | | |
| CUT-OUT | XDIM | YDIM | DESCRIPTION |
| 1 | 2.000 | 10.500 | INSUL. STUD M6 x 18mm (Inside) |
| 2 | 34.000 | 10.500 | INSUL. STUD M6 x 18mm (Inside) |



| | | | |
|--|-------------------------------|----------|----|
| | Description | Status | |
| | 5412ESSW 42" x 36" x 12" Body | (NULL) | |
| | Part Number Numéro Pièce | Rev. | 5 |
| | 5412ESSW423612THB | 0 | 15 |

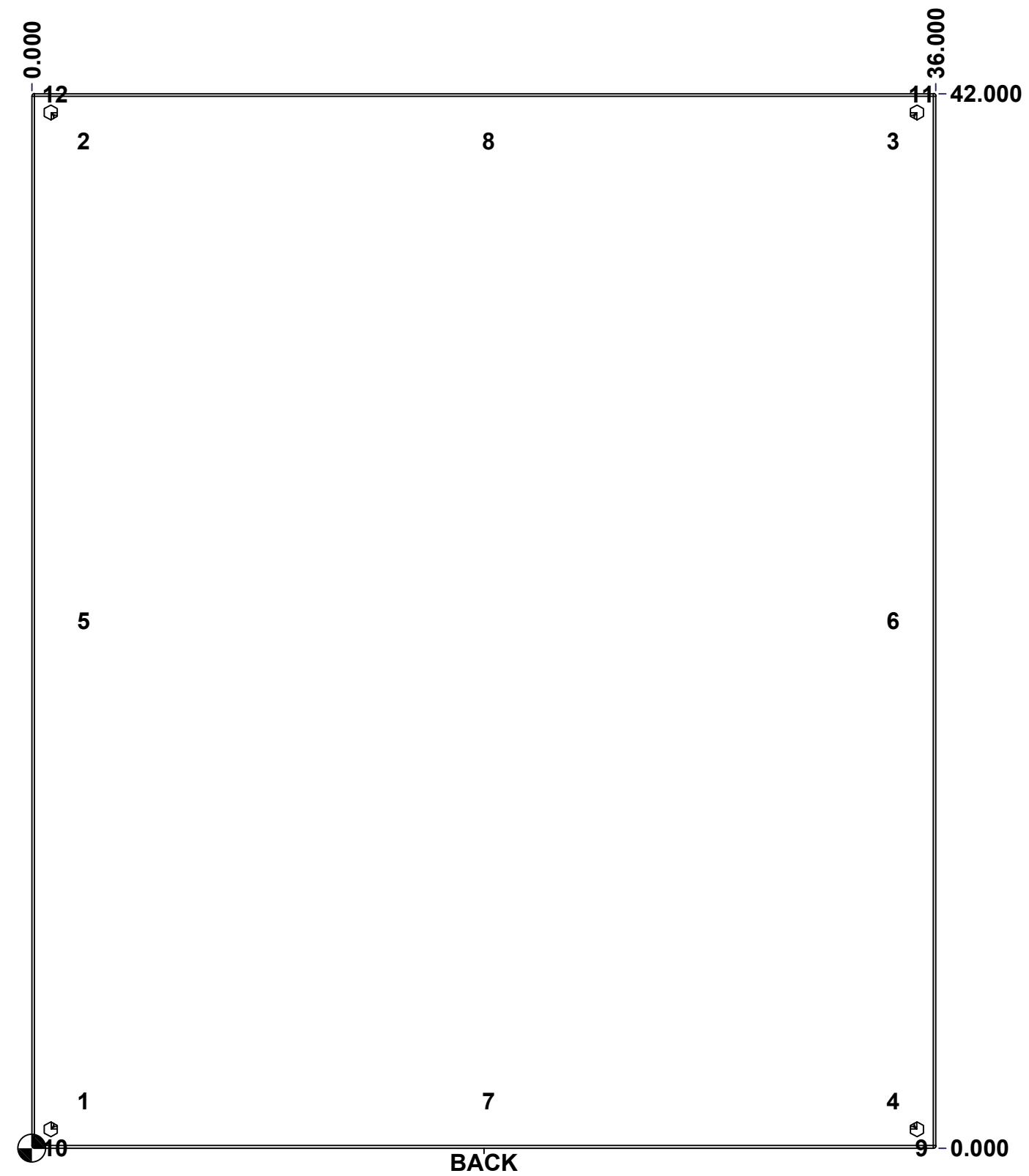
This drawing is confidential and must not be reproduced or used without the consent of EXM

Ce dessin est confidentiel et ne doit pas être reproduit ou utilisé sans le consentement de EXM

STANDARD FEATURES ARE NOT LISTED IN THIS HOLE TABLE

HOLE TABLE - BACK VIEW (CUSTOM FEATURE ONLY)

| CUT-OUT | XDIM | YDIM | DESCRIPTION |
|---------|--------|--------|----------------------------|
| 1 | 1.875 | 1.875 | IP STUD M8 x 35mm (Inside) |
| 2 | 1.875 | 40.125 | IP STUD M8 x 35mm (Inside) |
| 3 | 34.125 | 40.125 | IP STUD M8 x 35mm (Inside) |
| 4 | 34.125 | 1.875 | IP STUD M8 x 35mm (Inside) |
| 5 | 1.875 | 21.000 | IP STUD M8 x 35mm (Inside) |
| 6 | 34.125 | 21.000 | IP STUD M8 x 35mm (Inside) |
| 7 | 18.000 | 1.875 | IP STUD M8 x 35mm (Inside) |
| 8 | 18.000 | 40.125 | IP STUD M8 x 35mm (Inside) |
| ----- | | | |
| 9 | 35.250 | 0.000 | FOOT 885 ESMF4_OPEN |
| 10 | 0.750 | 0.000 | FOOT 885 ESMF4_OPEN |
| 11 | 35.250 | 42.000 | FOOT 885 ESMF4_CLOSE |
| 12 | 0.750 | 42.000 | FOOT 885 ESMF4_CLOSE |

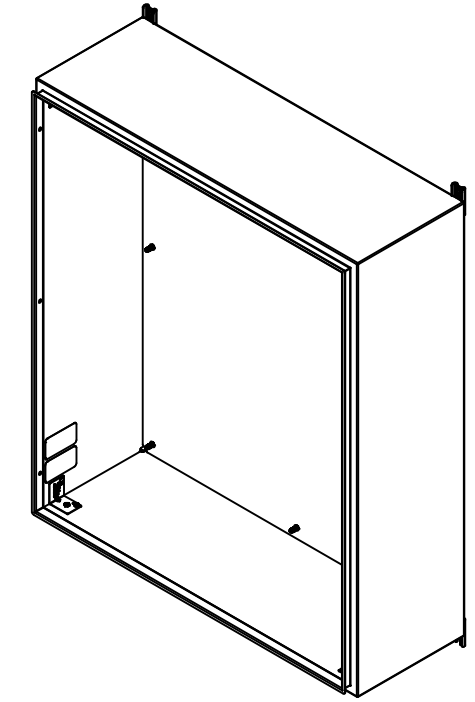


| | | |
|--|-------------------------------|--------------|
| | Description | Status |
| | 5412ESSW 42" x 36" x 12" Body | (NULL) |
| | Part Number Numéro Pièce | Rev. |
| | 5412ESSW423612THB | 0 / 6 |
| | | 15 |

This drawing is confidential and must not be reproduced or used without the consent of EXM

Ce dessin est confidentiel et ne doit pas être reproduit ou utilisé sans le consentement de EXM

| No. | Revisions | Date | By/Par |
|-----|-----------|------|--------|
| | | | |
| | | | |
| | | | |
| | | | |
| | | | |


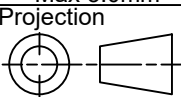


Isometric View



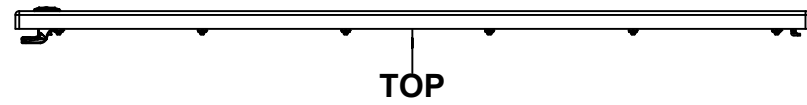
| | | | |
|---|------------------------|---|---|
| 2 | 885ESMF4-FEET | 0 | 885 ESMF4 Stainless Steel Mounting Foot |
| 4 | RIVET_NUT_SS_M10_FH_CE | 0 | Stainless Steel Rivet Nut M10 (Low Profile Close End) |
| 4 | STK-Q-06670 | 2 | M10 x 16mm Stainless Steel Machine Screw |
| 2 | 885ESMF4-FEET-A | 0 | 885 ESMF4 Stainless Steel Mounting Foot (Opened Slot) |
| 2 | STK-S-00100 | 0 | 3.5" x 2" Silver Milar Flexcon Sticker |
| 1 | STK-K-70554 | 3 | 5412 ESTH Accessory Kit |
| 1 | 5412ESSW423612THI-RS | 0 | 5412ESSW 42" x 36" Right Insulation |
| 1 | 5412ESSW423612THI-LS | 0 | 5412ESSW 42" x 36" Left Insulation |
| 1 | 5412ESSW423612THI-BT | 0 | 5412ESSW 42" x 36" Top and Bottom Insulation |
| 1 | 5412ESSW423612THI-TP | 0 | 5412ESSW 42" x 36" Top and Bottom Insulation |
| 1 | 5412ESSW423612THI-B | 0 | 5412ESSW 42" x 36" Back Insulation |
| 4 | STK-Q-16070 | 1 | Stud M6 x 18mm Stainless steel |
| 8 | STK-Q-16020 | 1 | Stud M8 x 35mm Stainless Steel |
| 1 | 5412ESSW423612THB-P | 0 | 5412ESSW 42" x 36" x 12" Body Part |

| Qty | Part Number | Rev | Description |
|------------|-------------|-----|-------------|
| Parts List | | | |

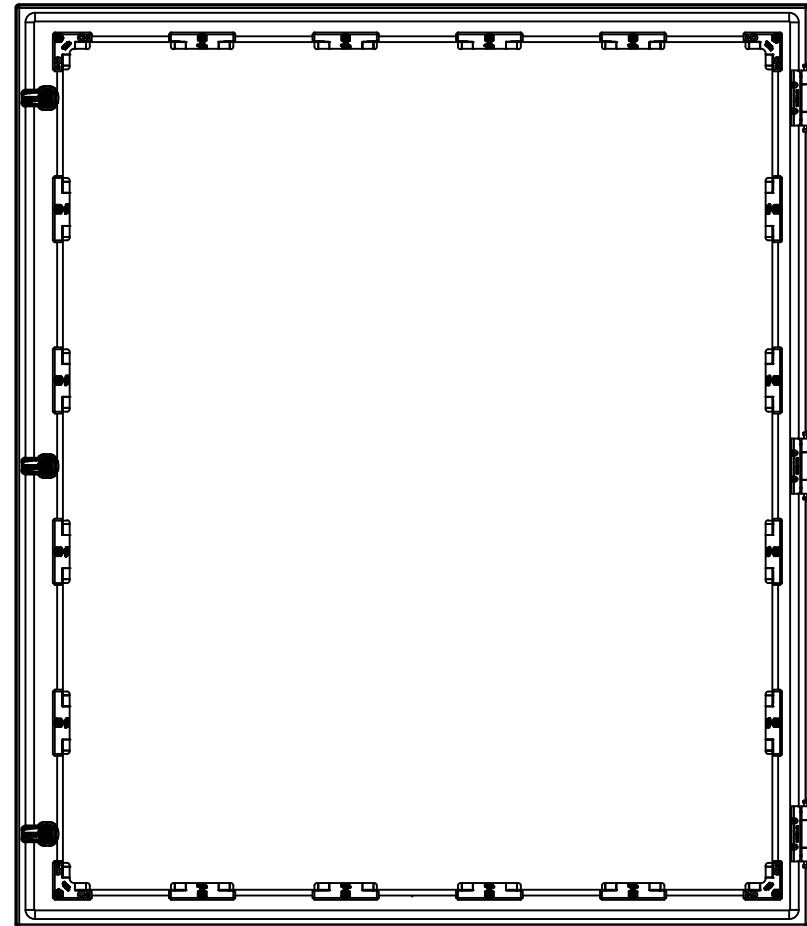
| | |
|--|---|
|  Tél: (450) 979-4373 Fax: (450) 979-4626 www.exmweb.com | Flatness Aplatissement |
| | Max 3.0mm |
| Projection |  |
| Customer Client | Date |
| Drawn By Dessiné Par | Date 07-Jun-23 |
| Material Matière | 14 Ga Stainless Steel 304 (1.7mm) |
| Color Couleur | Unpainted |
| Finish Fini | Brushed |
| Description | Detail Rev. |
| 5412ESSW 42" x 36" x 12" Body | |
| Part Number Numéro Pièce | Rev. 7 |
| 5412ESSW423612THB | 0 |

This drawing is confidential and must not be reproduced or used without the consent of EXM

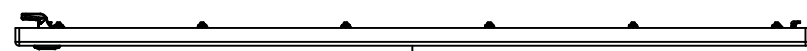
Ce dessin est confidentiel et ne doit pas être reproduit ou utilisé sans le consentement de EXM



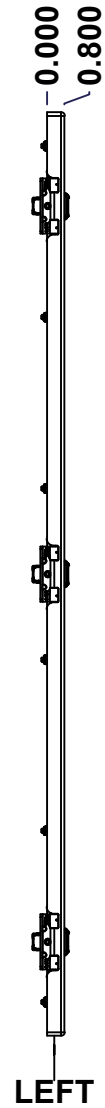
TOP



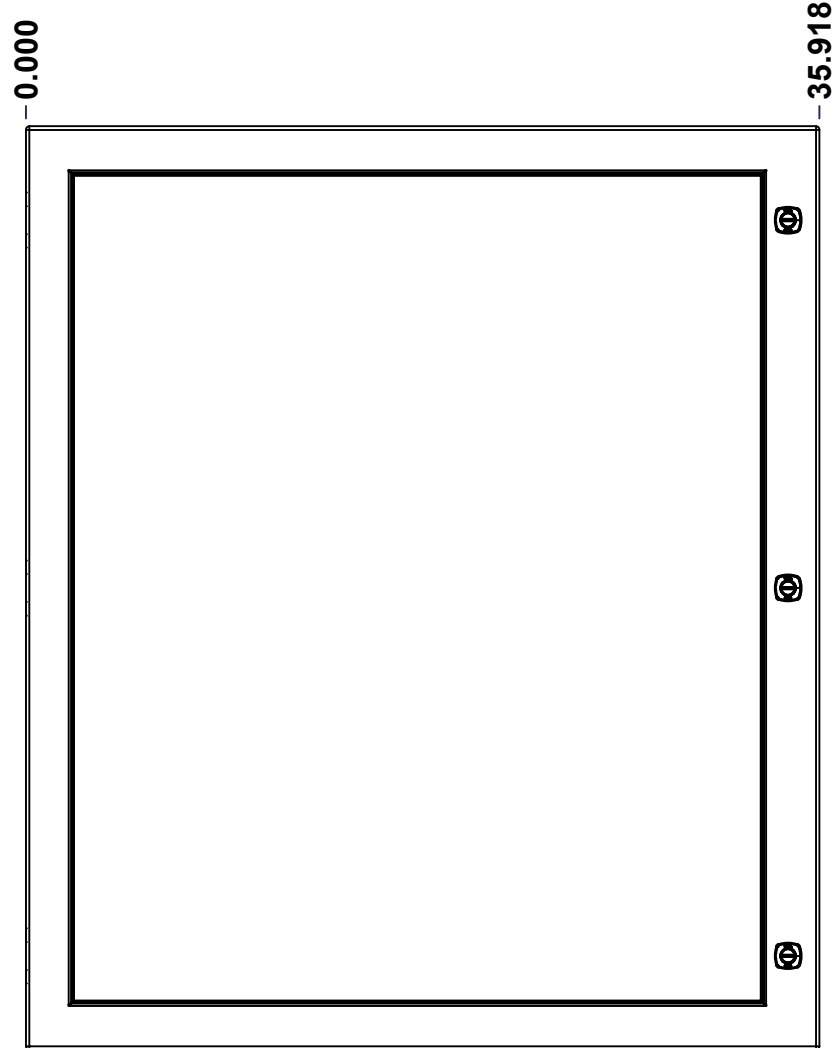
BACK



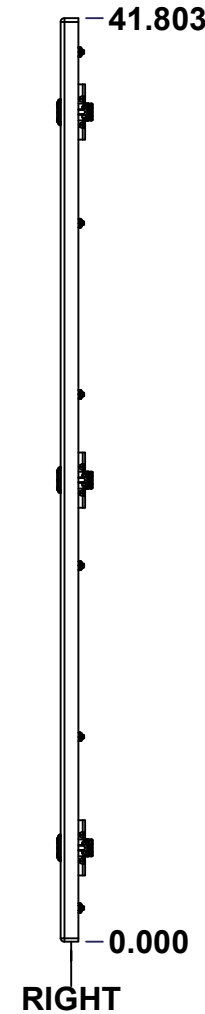
BOTTOM



LEFT

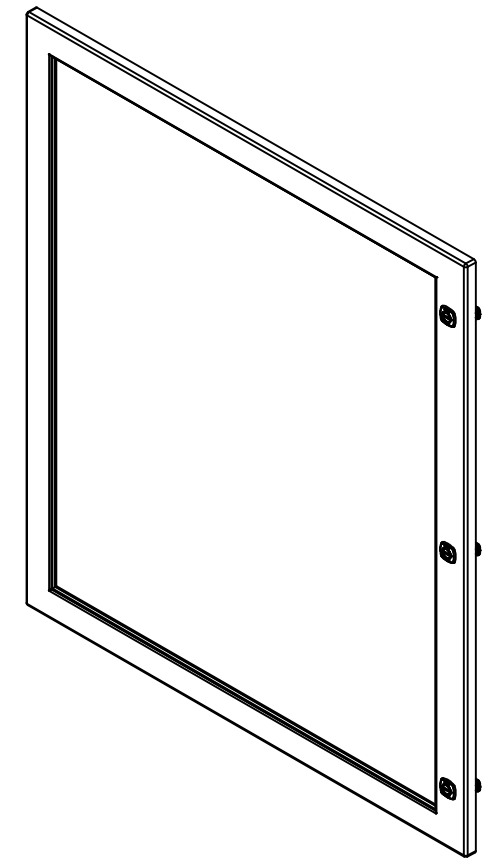


FRONT



RIGHT

| No. | Revisions | Date | By/Par |
|-----|-----------|------|--------|
| | | | |
| | | | |
| | | | |
| | | | |



Isometric View



Tél: (450) 979-4373
 Fax: (450) 979-4626
www.exmweb.com

Flatness
Aplatissement
Max 3.0mm
Projection

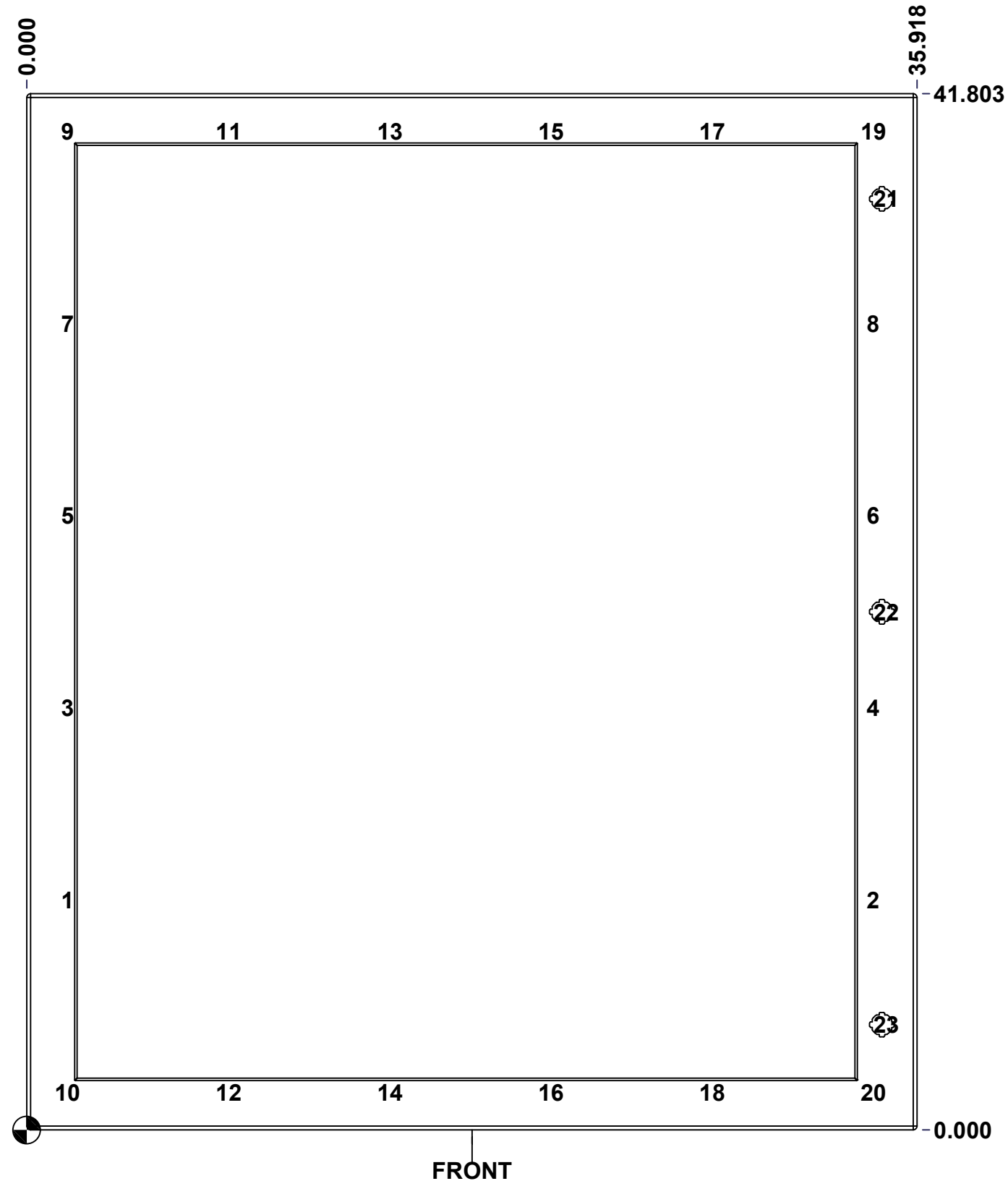
| | |
|---|------------------------|
| Customer Client | Date |
| Drawn By Dessiné Par BoxCad: BoxCad | Date 07-Jun-23 |
| Material Matière 14 Ga Stainless Steel 304 (1.7mm) | |
| Color Couleur Unpainted | Finish Fini Brushed |
| Description 5412ESSW 42" x 36" Cover | Detail Rev. |
| Part Number Numéro Pièce 5412ESSW423612THC | Rev. 8 |
| | 0 |

SEE BILL OF MATERIAL ON LAST PAGE

This drawing is confidential and must not be reproduced or used without the consent of EXM

Ce dessin est confidentiel et ne doit pas être reproduit ou utilisé sans le consentement de EXM

| STANDARD FEATURES ARE NOT LISTED IN THIS HOLE TABLE | | | |
|---|--------|--------|-------------------------|
| HOLE TABLE - FRONT VIEW (CUSTOM FEATURE ONLY) | | | |
| CUT-OUT | XDIM | YDIM | DESCRIPTION |
| 1 | 1.469 | 9.277 | STUD M6 x 18mm (Inside) |
| 2 | 33.968 | 9.277 | STUD M6 x 18mm (Inside) |
| 3 | 1.469 | 17.027 | STUD M6 x 18mm (Inside) |
| 4 | 33.968 | 17.027 | STUD M6 x 18mm (Inside) |
| 5 | 1.469 | 24.776 | STUD M6 x 18mm (Inside) |
| 6 | 33.968 | 24.776 | STUD M6 x 18mm (Inside) |
| 7 | 1.469 | 32.526 | STUD M6 x 18mm (Inside) |
| 8 | 33.968 | 32.526 | STUD M6 x 18mm (Inside) |
| 9 | 1.469 | 40.276 | STUD M6 x 18mm (Inside) |
| 10 | 1.469 | 1.527 | STUD M6 x 18mm (Inside) |
| 11 | 7.969 | 40.276 | STUD M6 x 18mm (Inside) |
| 12 | 7.969 | 1.527 | STUD M6 x 18mm (Inside) |
| 13 | 14.469 | 40.276 | STUD M6 x 18mm (Inside) |
| 14 | 14.469 | 1.527 | STUD M6 x 18mm (Inside) |
| 15 | 20.968 | 40.276 | STUD M6 x 18mm (Inside) |
| 16 | 20.968 | 1.527 | STUD M6 x 18mm (Inside) |
| 17 | 27.468 | 40.276 | STUD M6 x 18mm (Inside) |
| 18 | 27.468 | 1.527 | STUD M6 x 18mm (Inside) |
| 19 | 33.968 | 40.276 | STUD M6 x 18mm (Inside) |
| 20 | 33.968 | 1.527 | STUD M6 x 18mm (Inside) |
| ----- | | | |
| 21 | 34.494 | 37.553 | 880 SCQ4-SLSS6 |
| 22 | 34.494 | 20.902 | 880 SCQ4-SLSS6 |
| 23 | 34.494 | 4.250 | 880 SCQ4-SLSS6 |

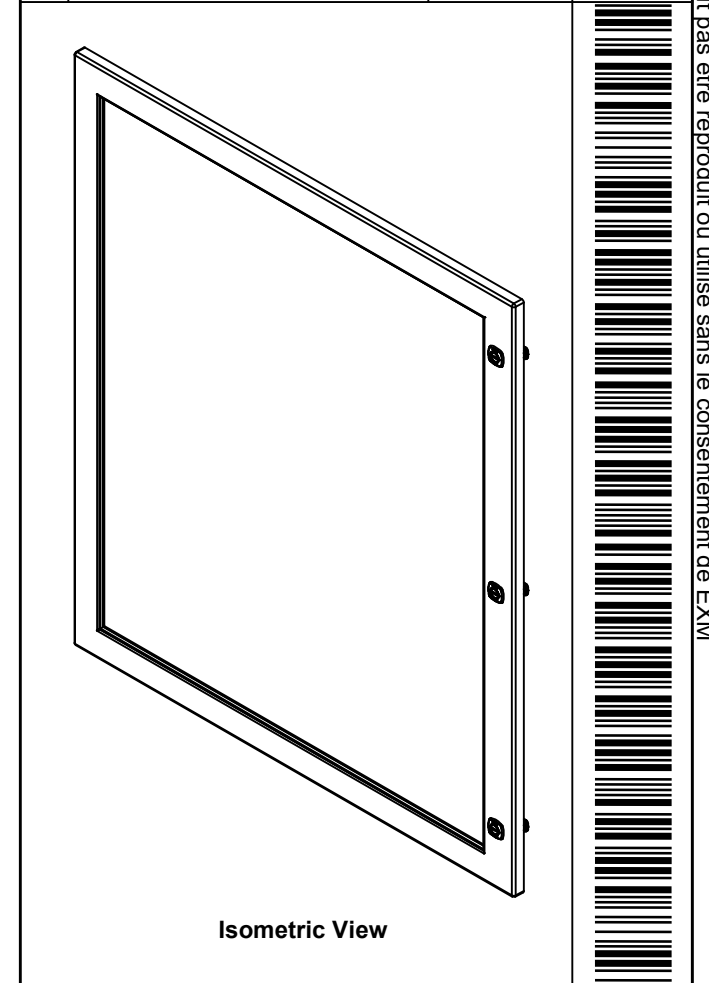


| | | |
|--|--------------------------|----------|
| | Description | Status |
| | 5412ESSW 42" x 36" Cover | (NULL) |
| | Part Number | Rev. |
| | Numéro Pièce | 9 |
| | 5412ESSW423612THC | 0 |
| | | 15 |


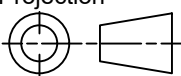
This drawing is confidential and must not be reproduced or used without the consent of EXM

Ce dessin est confidentiel et ne doit pas être reproduit ou utilisé sans le consentement de EXM

| No. | Revisions | Date | By/Par |
|-----|-----------|------|--------|
| | | | |
| | | | |
| | | | |
| | | | |
| | | | |

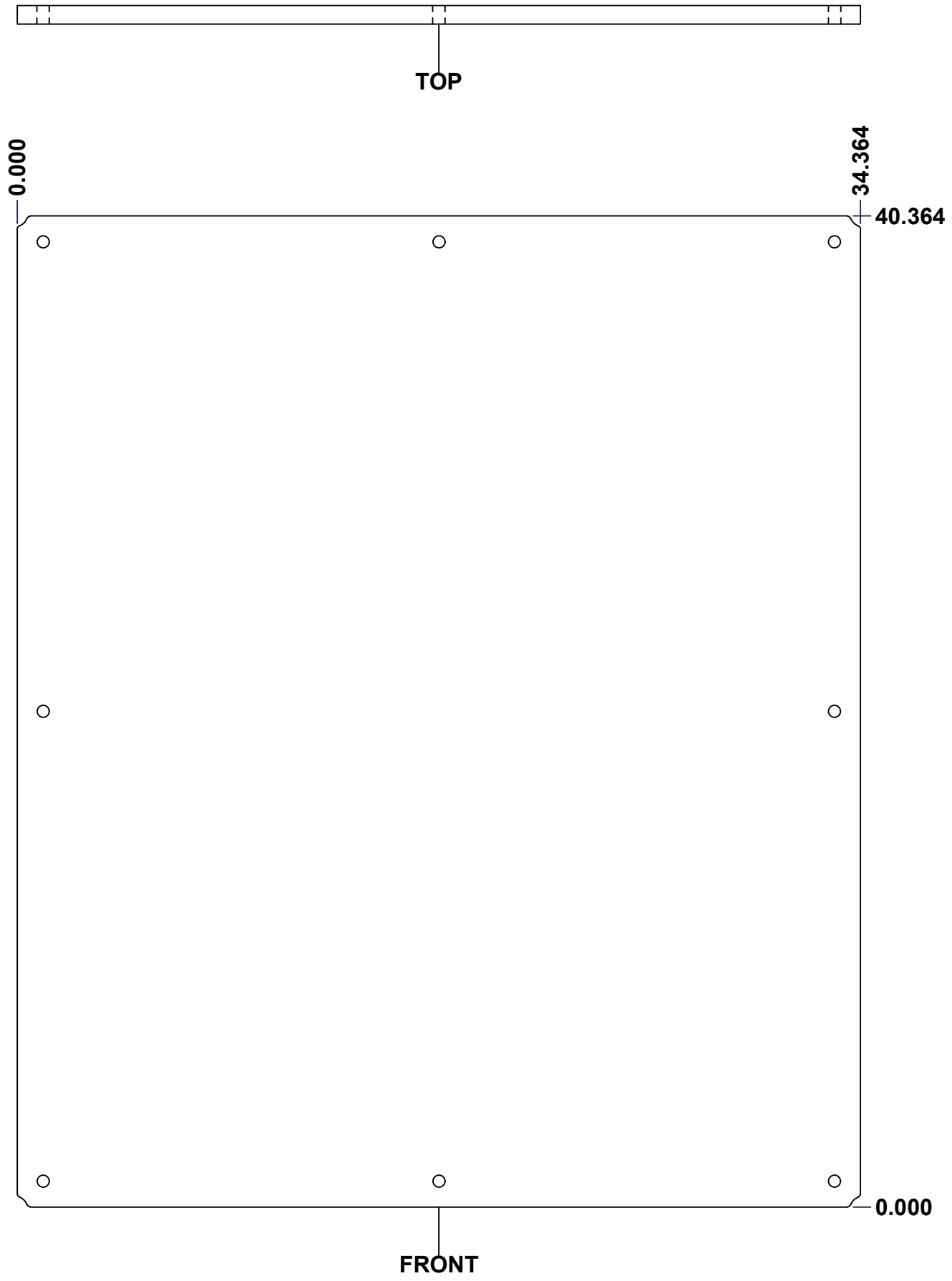


| | | | |
|------------|---------------------|-----|---------------------------------------|
| 16 | STK-Q-60701 | 2.1 | 880 WK - Lexan 1/4" Fixing Bracket |
| 1 | STK-A-60703 | 0 | 5412 ESW Lexan Bracket Kit |
| 20 | STK-Q-16053 | 1 | Stud M6 x 23mm Stainless steel |
| 1 | STK-G-02710 | 0 | 880 HWKG - Windows Kit Gasket |
| 1 | 5412ESSW423612THLXG | 0 | 5412ESSW 42" x 36" Lexan Gasket Part |
| 1 | 5412ESSW423612THLX | 0 | 5412ESSW 38.375" x 32.125" Lexan Part |
| 1 | 5412ESSW423612THG | 0 | 5412ESSW 42" x 36" Cover Gasket Part |
| 1 | 5412ESSW423612THC-P | 0 | 5412ESSW 42" x 36" Cover Part |
| 3 | 880 SCQ4-SLSS6 | 7 | 5412 ESS 1/4 Turn Lock |
| 3 | STK-A-33016 | 0 | 5412 ESS Bended Hinge (Body Part) |
| QTY | Part Number | Rev | Description |
| Parts List | | | |

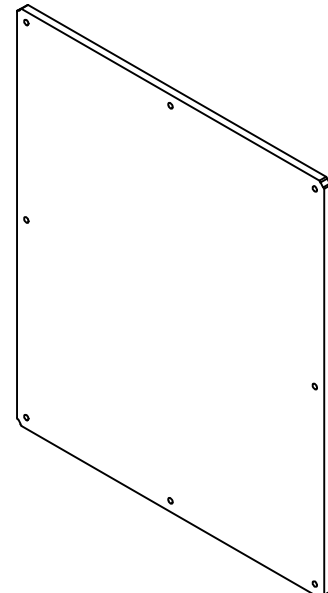
| | | |
|--|-----------------------------------|---|
|  Tél: (450) 979-4373 Fax: (450) 979-4626 www.exmweb.com | | Flatness Aplatissement Max 3.0mm Projection  |
| Customer Client | Date | |
| Drawn By Dessiné Par | BoxCad: BoxCad | Date 07-Jun-23 |
| Material Matière | 14 Ga Stainless Steel 304 (1.7mm) | |
| Color Couleur | Unpainted | Finish Fini Brushed |
| Description | | Detail Rev. |
| 5412ESSW 42" x 36" Cover | | |
| Part Number Numéro Pièce | Rev. | 10 |
| 5412ESSW423612THC | 0 | 15 |

This drawing is confidential and must not be reproduced or used without the consent of EXM

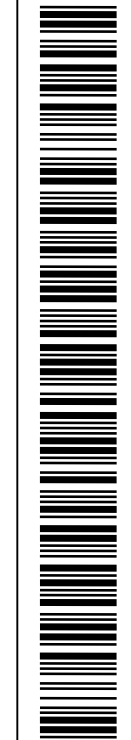
Ce dessin est confidentiel et ne doit pas être reproduit ou utilisé sans le consentement de EXM


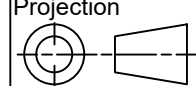


| No. | Revisions | Date | By/Par |
|-----|-----------|------|--------|
| | | | |
| | | | |
| | | | |
| | | | |



Isometric View

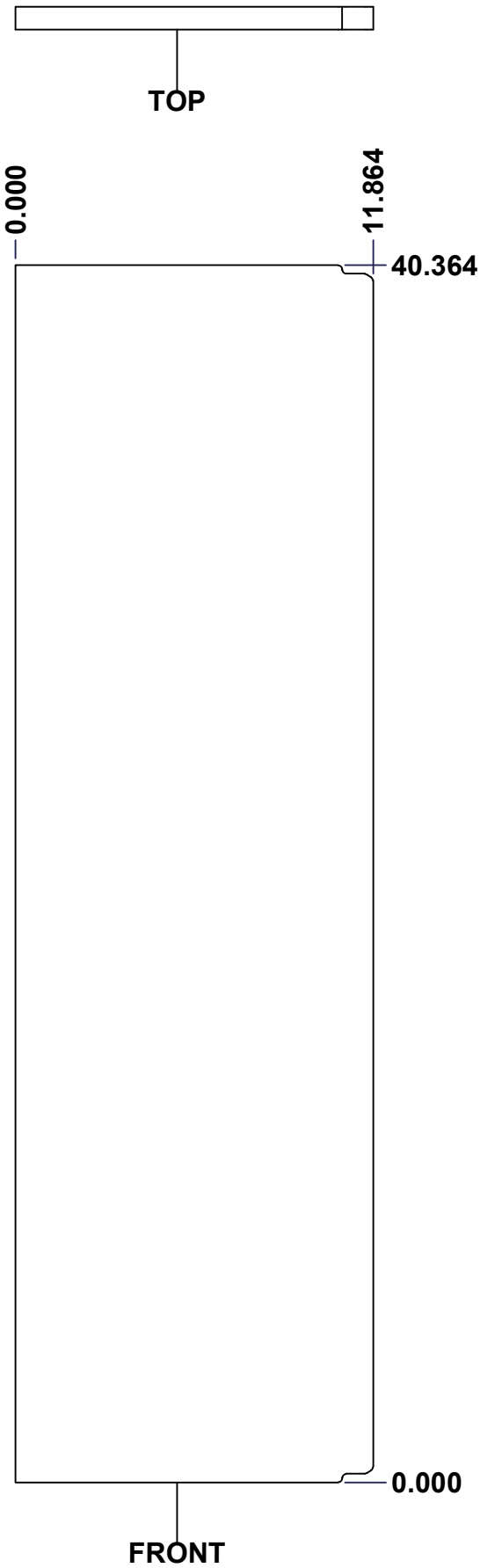


| | | |
|--|---------------------------|--|
|  Tél: (450) 979-4373 Fax: (450) 979-4626 www.exmweb.com | | Flatness Aplatissement Max 3.0mm |
| Projection  | | Date 23-Jan-07 |
| Customer Client | Date | |
| Drawn By Dessiné Par | BoxCad: Patrick Deschenes | Date 23-Jan-07 |
| Material Matière | Polyisocyanurate | |
| Color Couleur | Aluminum | Finish Fini N/A |
| Description | Detail Rev. | |
| 5412ESSW 42" x 36" Back Insulation | | |
| Part Number Numéro Pièce | Rev. | 11 |
| 5412ESSW423612THI-B | 0 | 15 |

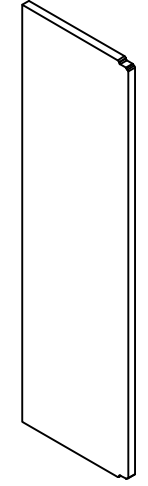
SEE BILL OF MATERIAL ON LAST PAGE

This drawing is confidential and must not be reproduced or used without the consent of EXM

Ce dessin est confidentiel et ne doit pas être reproduit ou utilisé sans le consentement de EXM



0.000
0.750



Isometric View

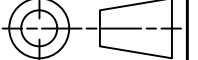


Tél: (450) 979-4373
Fax: (450) 979-4626
www.exmweb.com

Flatness
Aplatissement

Max 3.0mm

Projection



Customer Client

Date

Drawn By Dessiné Par BoxCad: Patrick Deschenes

Date 23-Jan-07

Material Matière Polyisocyanurate

Color Couleur Aluminum

Finish Fini N/A

Description
5412ESSW 42" x 36" Left Insulation

Detail Rev.

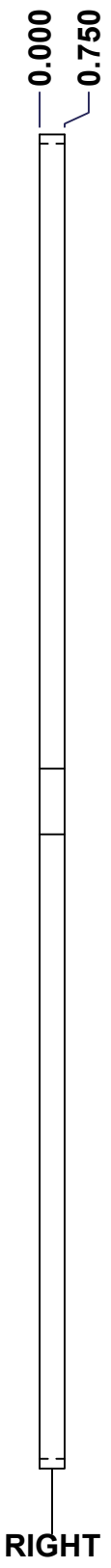
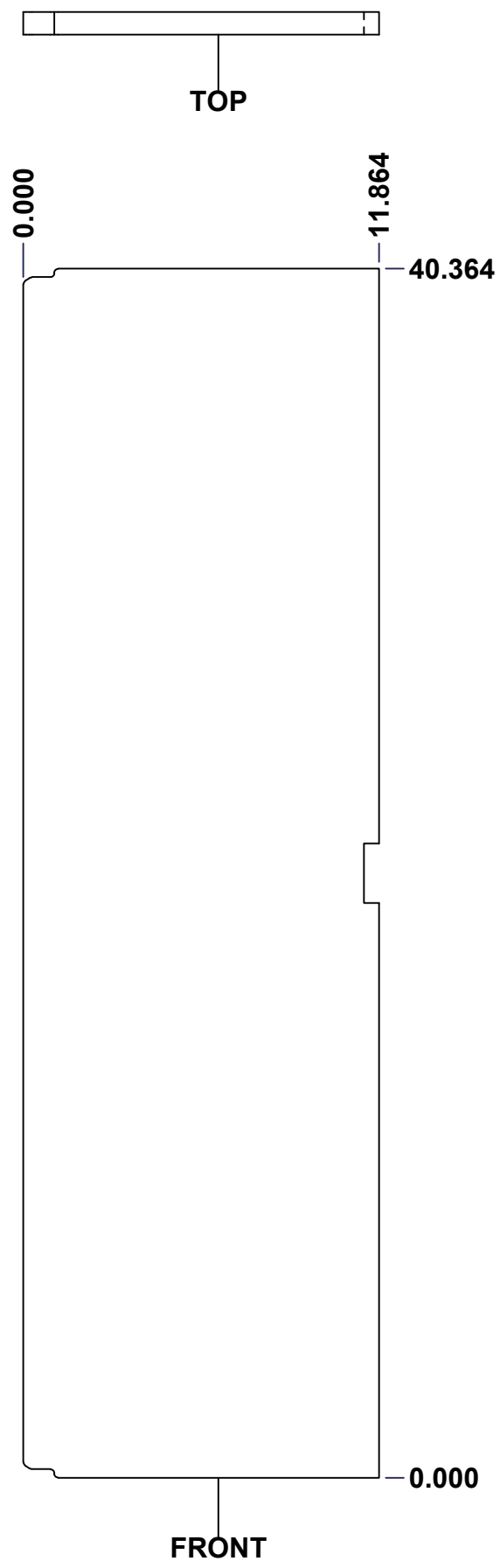
Part Number Numéro Pièce
5412ESSW423612THI-LS

Rev. 12
0 15

SEE BILL OF MATERIAL ON LAST PAGE

This drawing is confidential and must not be reproduced or used without the consent of EXM

Ce dessin est confidentiel et ne doit pas être reproduit ou utilisé sans le consentement de EXM



| No. | Revisions | Date | By/Par |
|-----|-----------|------|--------|
| | | | |
| | | | |
| | | | |
| | | | |
| | | | |

Isometric View

| | | |
|--|---------------------------|---------------------------|
| Tél: (450) 979-4373 Fax: (450) 979-4626 www.exmweb.com | | Flatness Aplatissement |
| | | Max 3.0mm |
| Projection | | |
| Customer Client | Date | |
| Drawn By Dessiné Par | BoxCad: Patrick Deschenes | Date 23-Jan-07 |
| Material Matière | Polyisocyanurate | |
| Color Couleur | Aluminum | Finish Fini N/A |
| Description | Detail Rev. | |
| 5412ESSW 42" x 36" Right Insulation | | |
| Part Number Numéro Pièce | Rev. | 13 |
| 5412ESSW423612THI-RS | 0 | 15 |

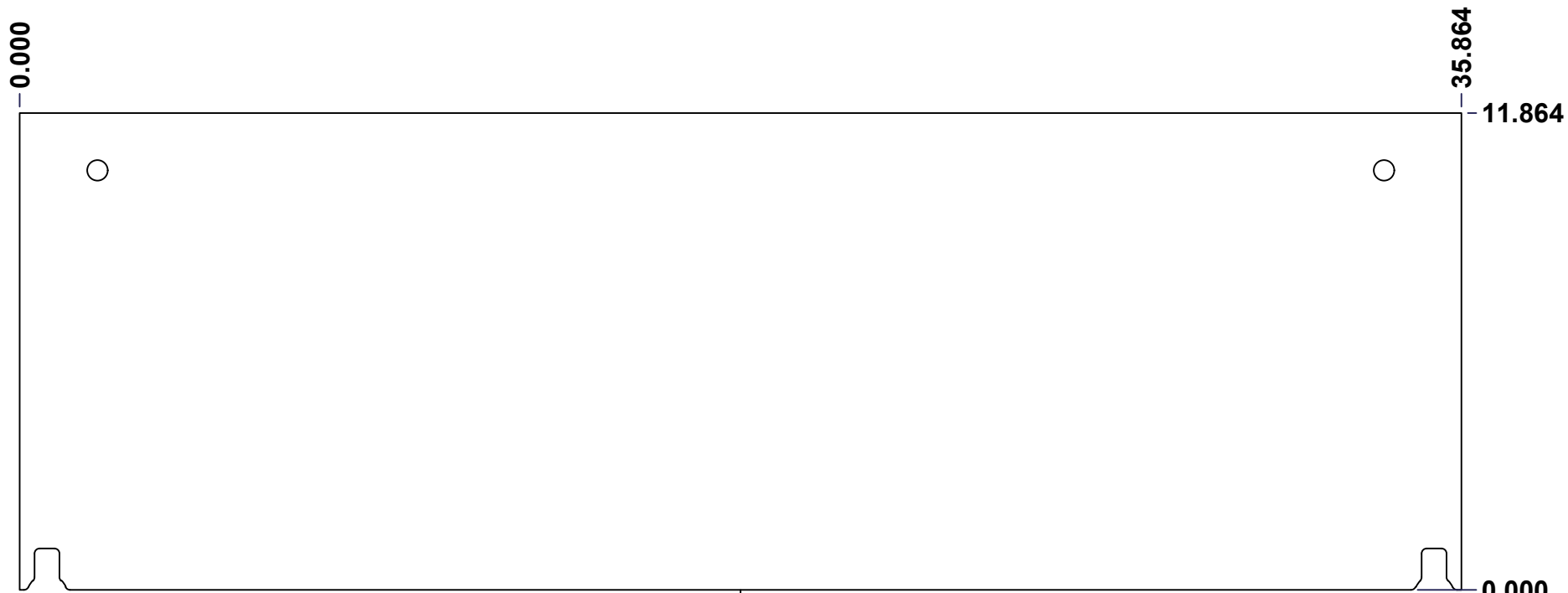
SEE BILL OF MATERIAL ON LAST PAGE

This drawing is confidential and must not be reproduced or used without the consent of EXM

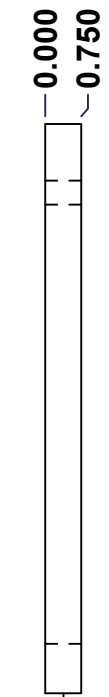
Ce dessin est confidentiel et ne doit pas être reproduit ou utilisé sans le consentement de EXM



TOP

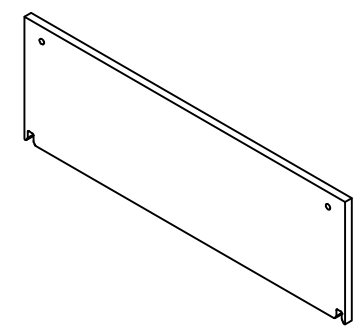


FRONT



RIGHT

| No. | Revisions | Date | By/Par |
|-----|-----------|------|--------|
| | | | |
| | | | |
| | | | |
| | | | |



Isometric View

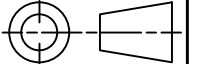


Tél: (450) 979-4373
 Fax: (450) 979-4626
www.exmweb.com

Flatness
Aplatissement

Max 3.0mm

Projection



| | |
|---|--------------------|
| Customer Client | Date |
| Drawn By / Dessiné Par: BoxCad: Patrick Deschenes | Date: 23-Jan-07 |
| Material / Matière: Polyisocyanurate | |
| Color / Couleur: Aluminum | Finish / Fini: N/A |
| Description: 5412ESSW 42" x 36" Top and Bottom Insulation | Detail Rev. |
| Part Number / Numéro Pièce: 5412ESSW423612THI-TP | Rev. 0 |

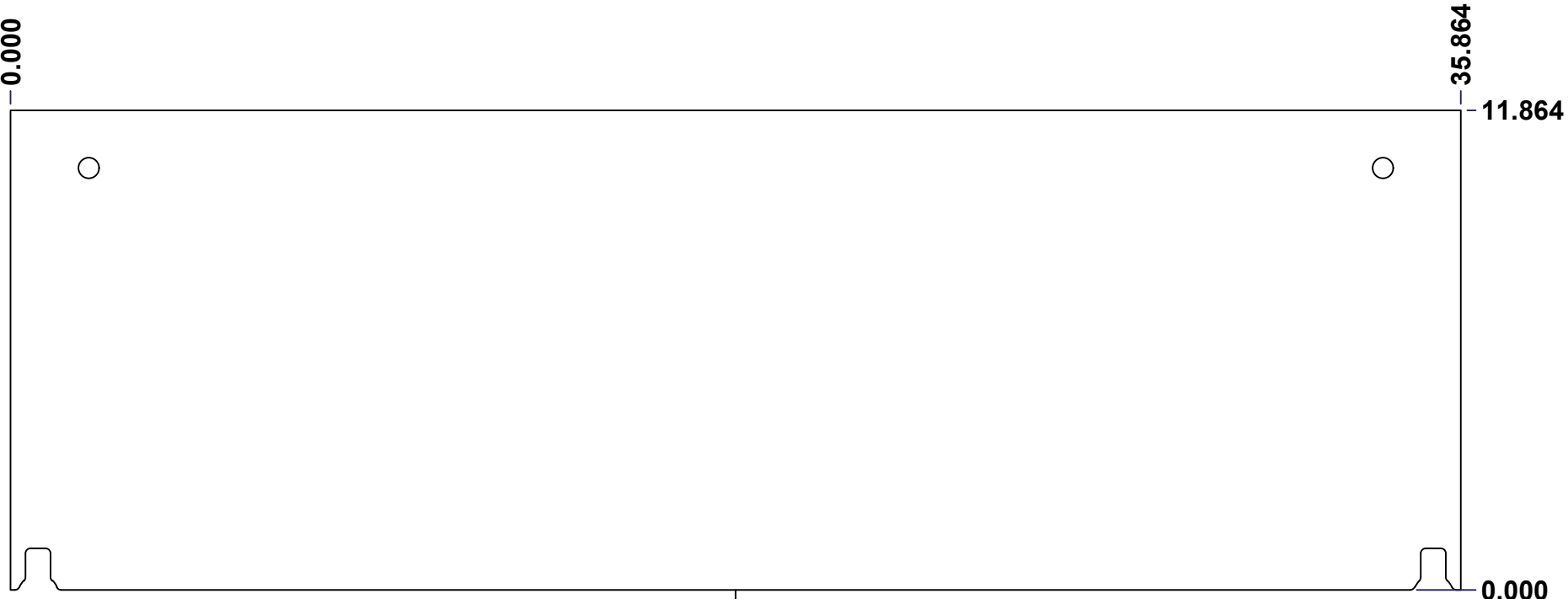
SEE BILL OF MATERIAL ON LAST PAGE

This drawing is confidential and must not be reproduced or used without the consent of EXM

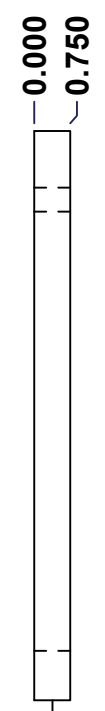
Ce dessin est confidentiel et ne doit pas être reproduit ou utilisé sans le consentement de EXM



TOP

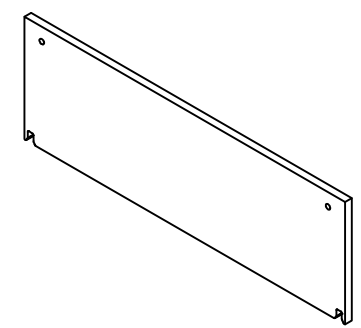


FRONT



RIGHT

| No. | Revisions | Date | By/Par |
|-----|-----------|------|--------|
| | | | |
| | | | |
| | | | |
| | | | |



Isometric View



Tél: (450) 979-4373
 Fax: (450) 979-4626
www.exmweb.com

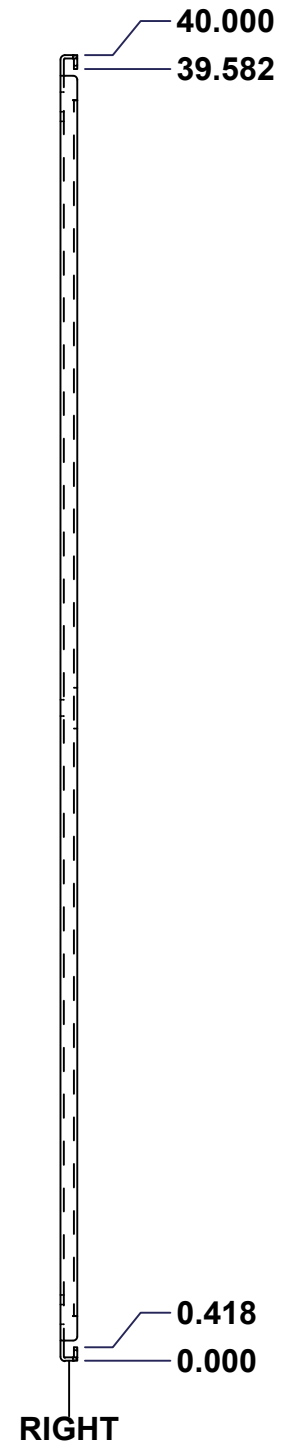
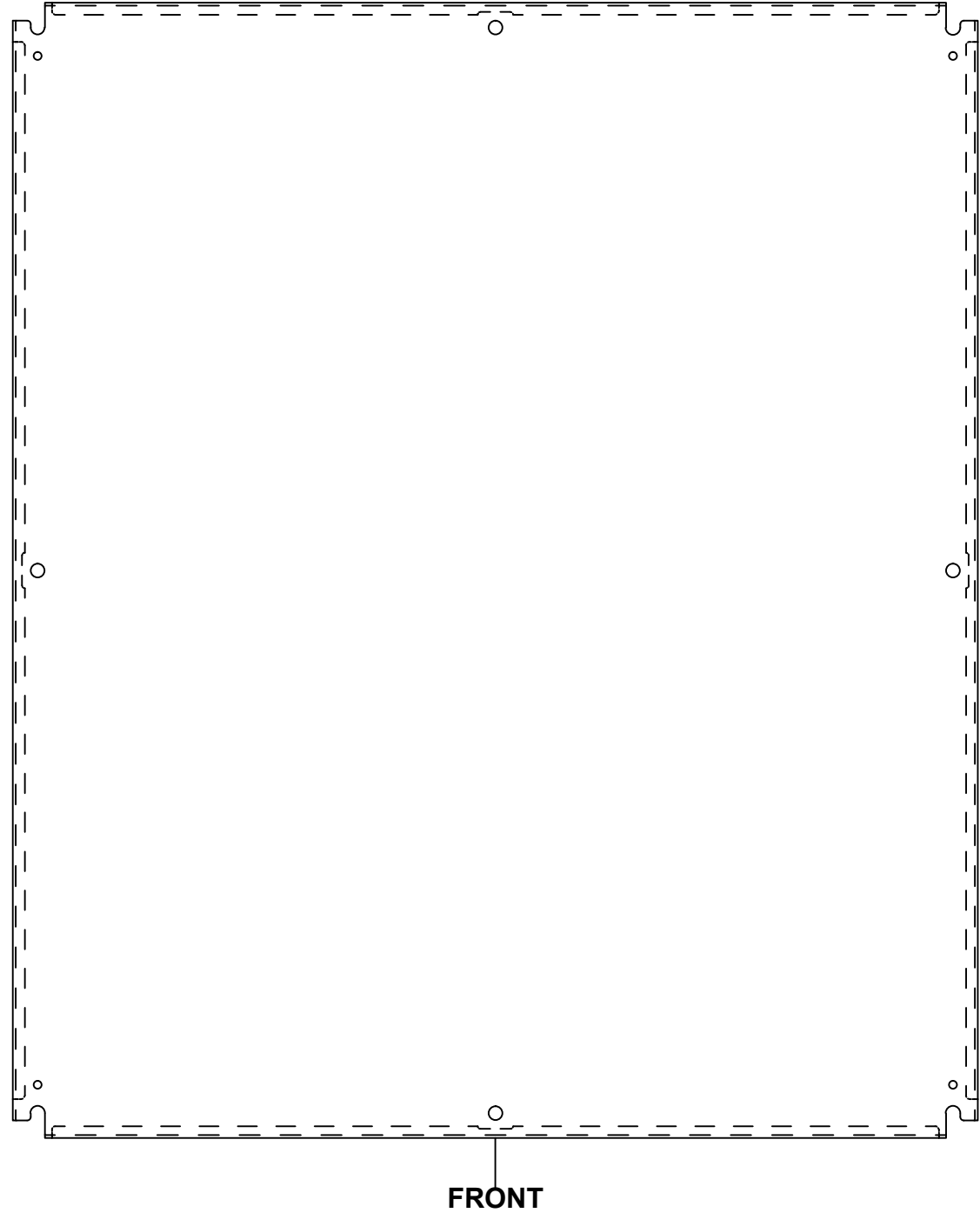
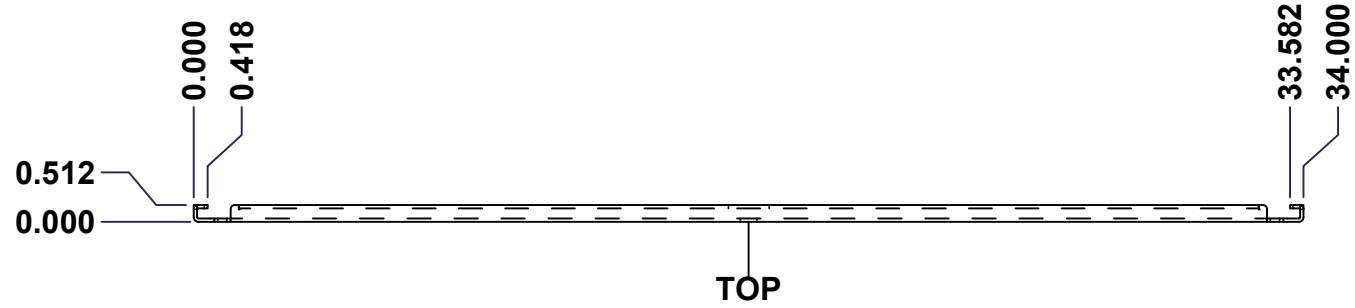
Flatness
Aplatissement
Max 3.0mm
Projection

| | |
|---|--------------------|
| Customer Client | Date |
| Drawn By / Dessiné Par: BoxCad: Patrick Deschenes | Date: 23-Jan-07 |
| Material / Matière: Polyisocyanurate | |
| Color / Couleur: Aluminum | Finish / Fini: N/A |
| Description: 5412ESSW 42" x 36" Top and Bottom Insulation | Detail Rev. |
| Part Number / Numéro Pièce: 5412ESSW423612THI-BT | Rev. 0 |

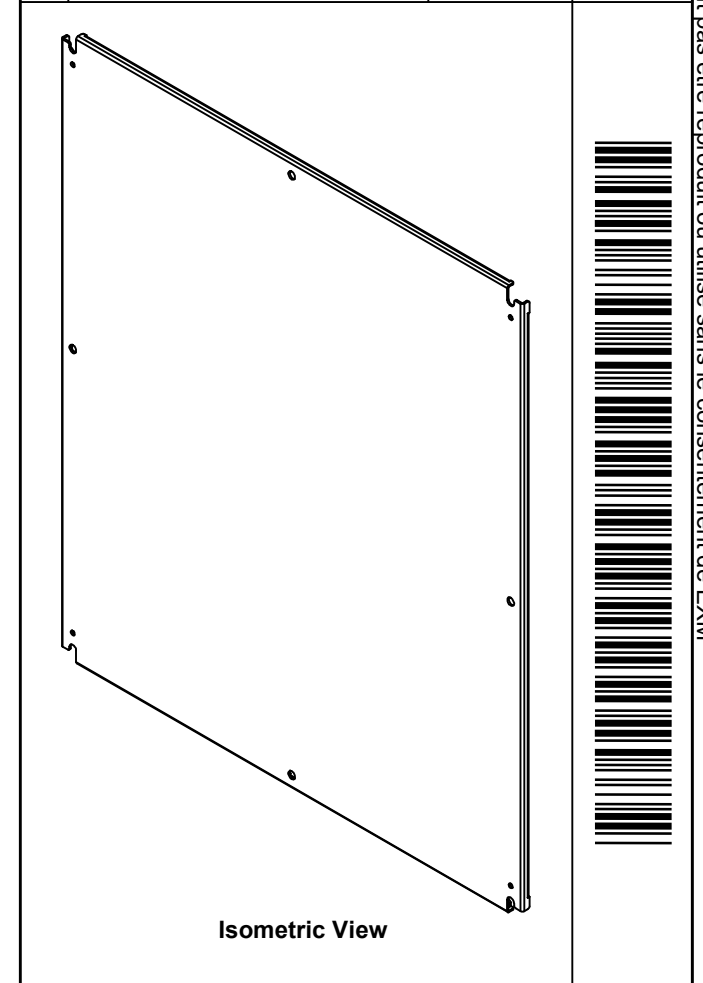
SEE BILL OF MATERIAL ON LAST PAGE

This drawing is confidential and must not be reproduced or used without the consent of EXM

Ce dessin est confidentiel et ne doit pas être reproduit ou utilisé sans le consentement de EXM



| No. | Revisions | Date | By/Par |
|-----|-----------|------|--------|
| | | | |
| | | | |
| | | | |
| | | | |
| | | | |



| | |
|--|--|
| Tél: (450) 979-4373 Fax: (450) 979-4626 www.exmweb.com | Flatness Aplatissement Max 3.0mm |
| | Projection |
| Customer Client | Date |
| Drawn By Dessiné Par BoxCad | Date 23-Jan-07 |
| Material Matière | See Part List |
| Color Couleur | See Part List |
| Finish Fini | See Part List |
| Description | Detail Rev. |
| 881 SP - Inner Panel | |
| Part Number Numéro Pièce | Rev. 1 |
| 881 SP4236G | 0 2 |

| Qty | Part Number | Rev | Description | Material | Color | Finish |
|-----|---------------|-----|---------------------------|------------------|-----------|------------|
| 1 | 881 SP4236G-P | 0 | 881 SP - Inner Panel Part | 12 Ga Galvanized | Unpainted | Galvanized |

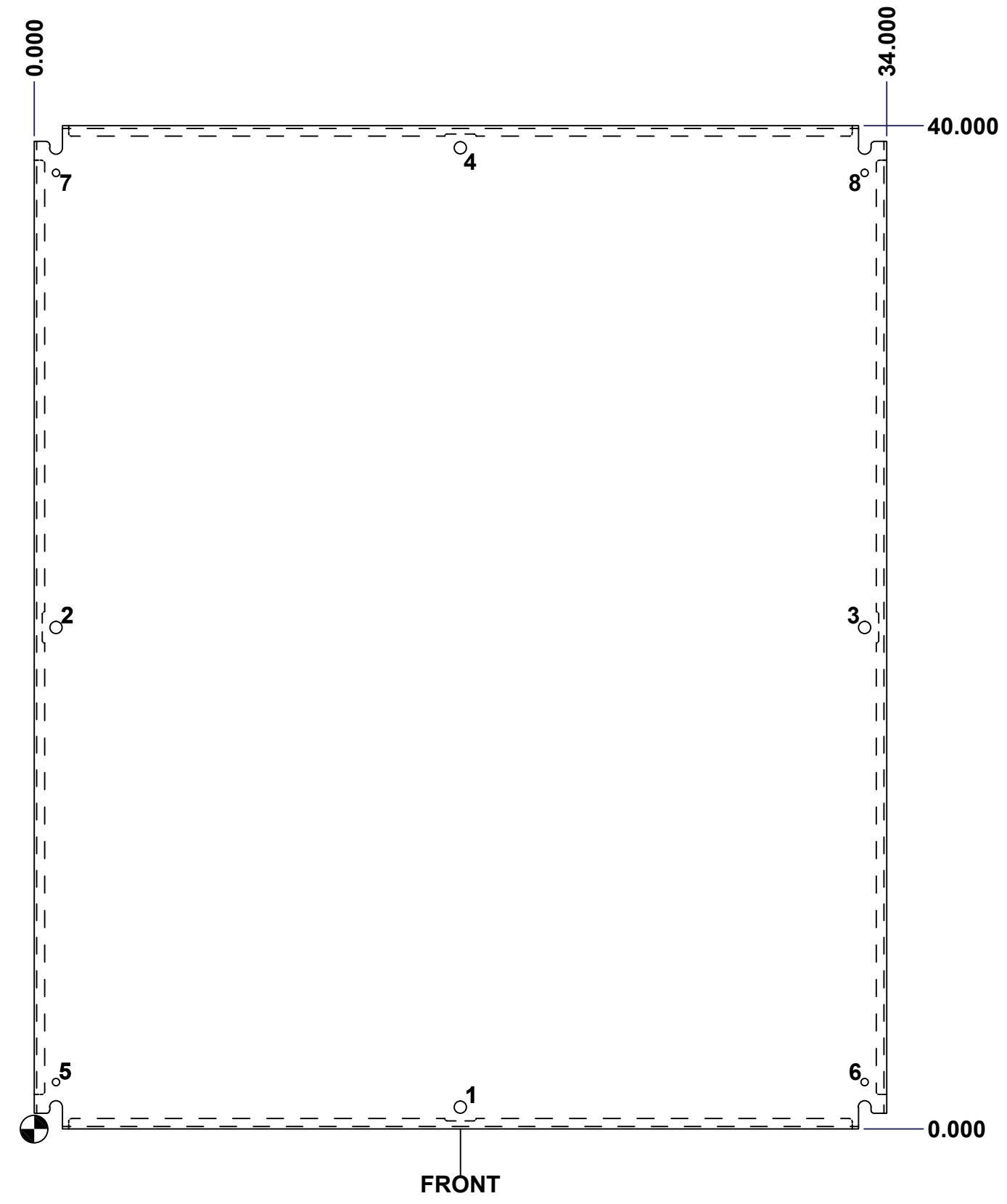
Parts List

This drawing is confidential and must not be reproduced or used without the consent of EXM

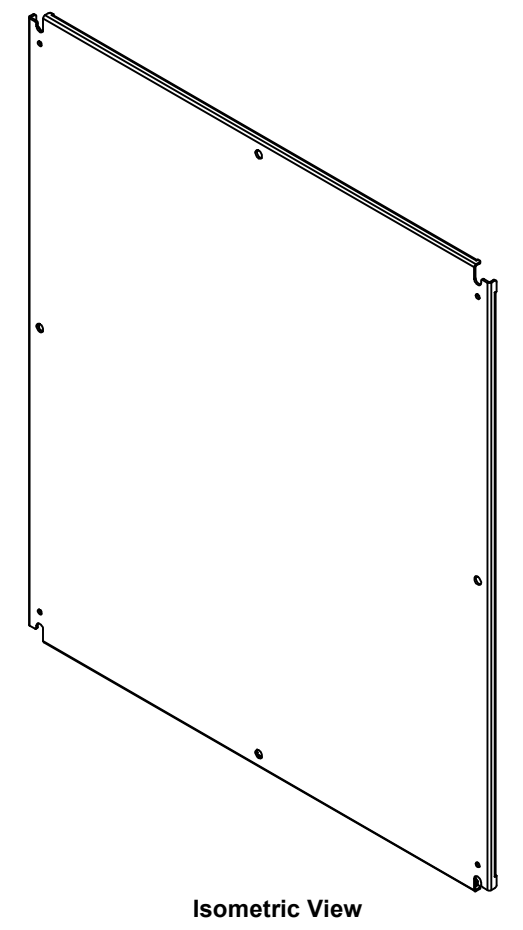
Ce dessin est confidentiel et ne doit pas être reproduit ou utilisé sans le consentement de EXM

| Table 1 | | | FRONT VIEW |
|---------|--------|--------|----------------------------|
| CUT-OUT | XDIM | YDIM | DESCRIPTION |
| 1 | 17.000 | 0.875 | MTG STUD HOLE (RND Ø0.500) |
| 2 | 0.875 | 20.000 | MTG STUD HOLE (RND Ø0.500) |
| 3 | 33.125 | 20.000 | MTG STUD HOLE (RND Ø0.500) |
| 4 | 17.000 | 39.125 | MTG STUD HOLE (RND Ø0.500) |
| 5 | 0.875 | 1.875 | GROUND HOLE (RND Ø0.290) |
| 6 | 33.125 | 1.875 | GROUND HOLE (RND Ø0.290) |
| 7 | 0.875 | 38.125 | GROUND HOLE (RND Ø0.290) |
| 8 | 33.125 | 38.125 | GROUND HOLE (RND Ø0.290) |

All knockouts are actual size / Les disques défonçables sont grandeur réel



| No. | Revisions | Date | By/Par |
|-----|-----------|------|--------|
| | | | |
| | | | |
| | | | |
| | | | |
| | | | |



| | | | | | |
|---|--|--|--|--|--|
| | | Tél: (450) 979-4373 Fax: (450) 979-4626 www.exmweb.com | | Flatness Aplatissement Max 3.0mm | |
| Customer Client | | Date | | Projection | |
| Drawn By Dessiné Par BoxCad | | Date 23-Jan-07 | | Material Matière See Part List | |
| Color Couleur See Part List | | Finish Fini See Part List | | Description 881 SP - Inner Panel | |
| Part Number Numéro Pièce 881 SP4236G | | Rev. 0 | | Detail Rev. 2 | |