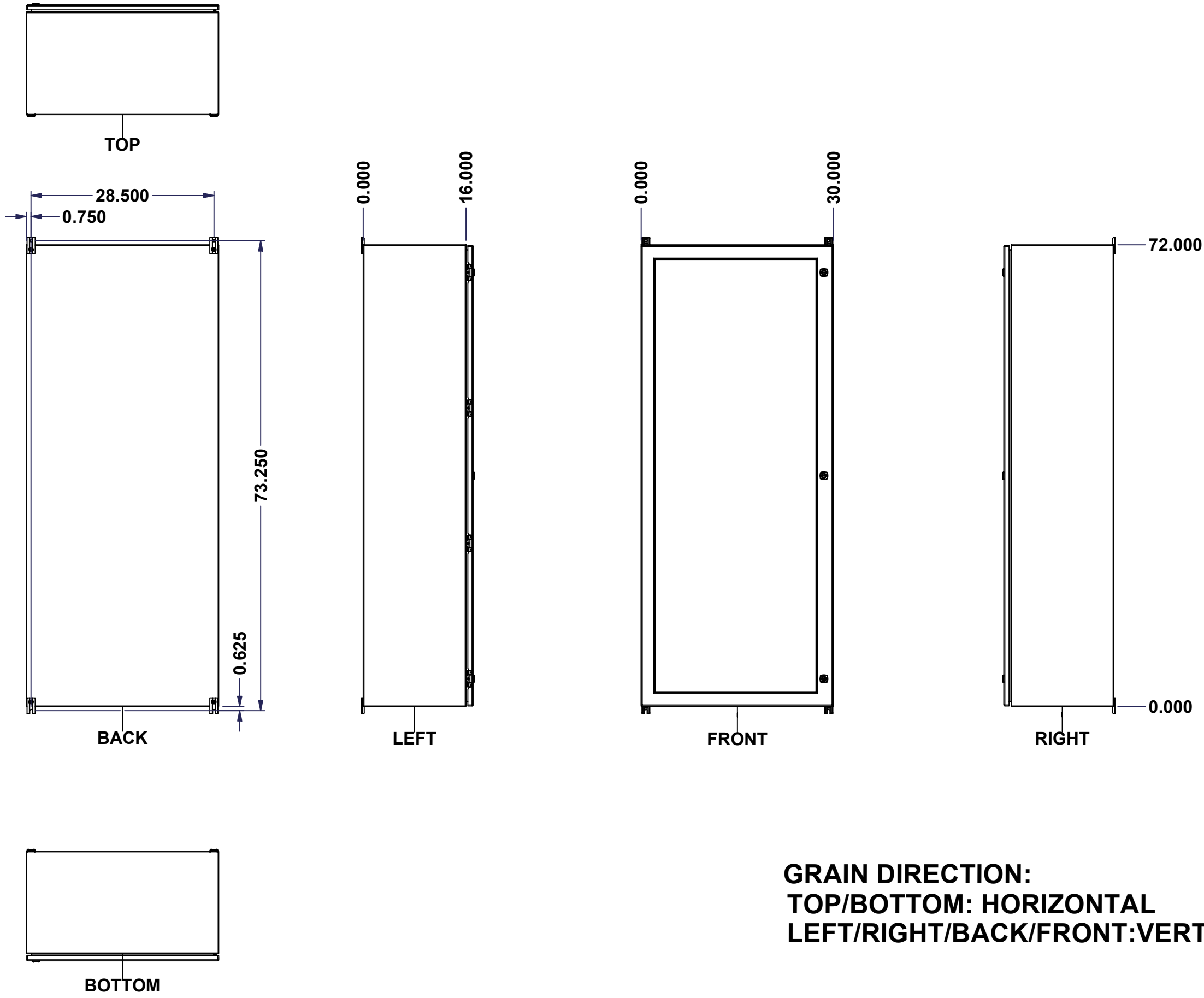
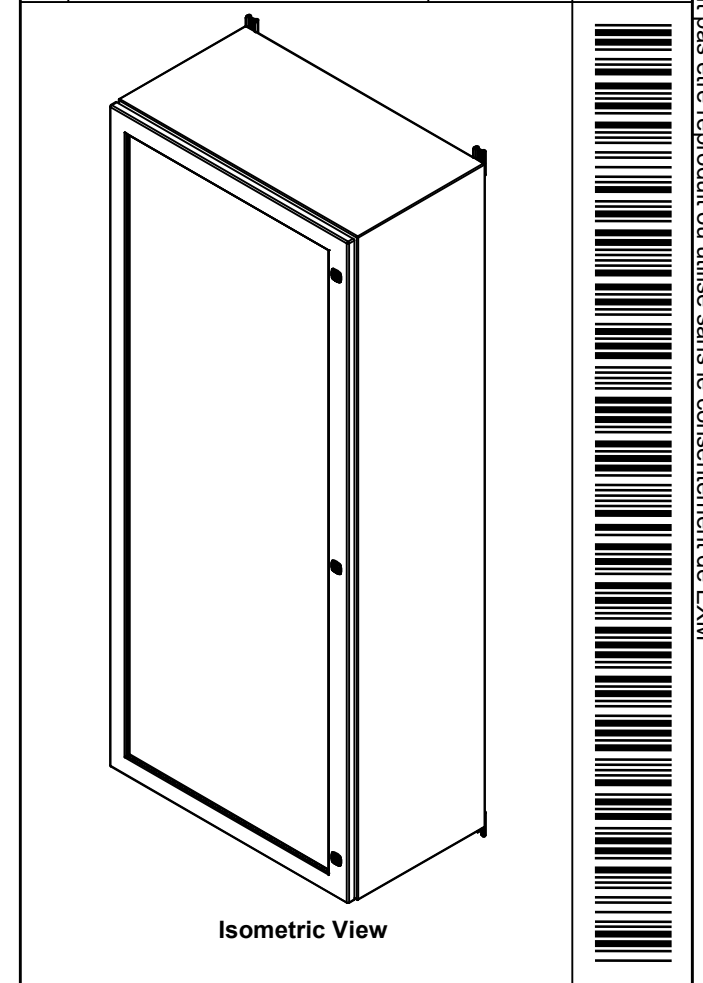


This drawing is confidential and must not be reproduced or used without the consent of EXM

Ce dessin est confidentiel et ne doit pas être reproduit ou utilisé sans le consentement de EXM



| No. | Revisions | Date | By/Par |
|-----|-----------|------|--------|
|     |           |      |        |
|     |           |      |        |
|     |           |      |        |
|     |           |      |        |
|     |           |      |        |



**GRAIN DIRECTION:  
TOP/BOTTOM: HORIZONTAL  
LEFT/RIGHT/BACK/FRONT: VERTICAL**

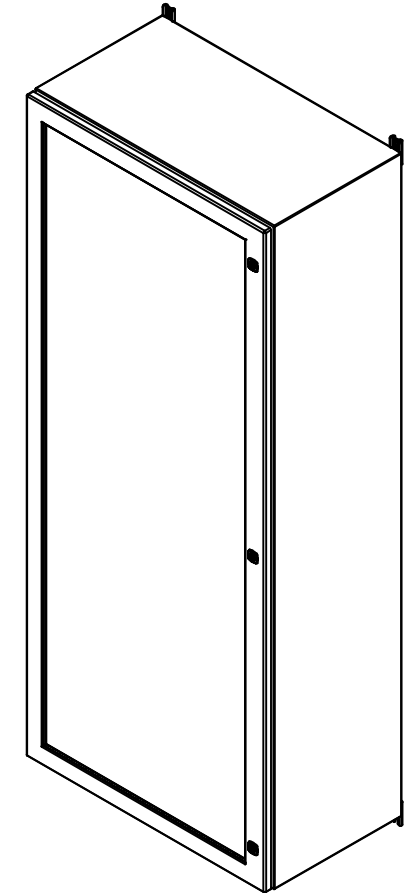
|  |                                   |  |
|--|-----------------------------------|--|
| Tél: (450) 979-4373<br>Fax: (450) 979-4626<br><a href="http://www.exmweb.com">www.exmweb.com</a> |                                   | Flatness<br>Aplatissement<br>Max 3.0mm<br>Projection<br> |
| Customer Client  | Date                              |  |
| Drawn By<br>Dessiné Par  | BoxCad: BoxCad                    | Date 05-Jun-23   |
| Material<br>Matière  | 14 Ga Stainless Steel 304 (1.7mm) |  |
| Color<br>Couleur   | Unpainted                         | Finish<br>Fini<br>Brushed                                |
| Description  | Detail Rev.                       |  |
| 5412ESSW 72" x 30" x 16" Assembly  |                                   |  |
| Part Number<br>Numéro Pièce  | Rev.                              | 1  |
| SEE BILL OF MATERIAL ON LAST PAGE  | 5412ESSW723016TH                  | 0  |

This drawing is confidential and must not be reproduced or used without the consent of EXM

Ce dessin est confidentiel et ne doit pas être reproduit ou utilisé sans le consentement de EXM

| NOTE |   |
|------|---|
| ITEM | DESCRIPTION                                     |
| 1    | NEMA 4X Enclosure                               |
| 2    | C/W Standard ground studs on box and cover      |
| 3    | W/O Standard door stiffener                     |
| 4    | C/W Standard inner panel (Included)             |
| 5    | C/W Standard inner panel mounting studs         |
| 6    | C/W 885 ESMF4_OPEN Sold separately (Installed)  |
| 7    | C/W 885 ESMF4_CLOSE Sold separately (Installed) |
| 8    | C/W R5 Insulation (Installed by EXM)            |

| No. | Revisions | Date | By/Par |
|-----|-----------|------|--------|
|     |           |      |        |
|     |           |      |        |
|     |           |      |        |
|     |           |      |        |
|     |           |      |        |
|     |           |      |        |




Isometric View



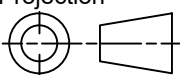
| PACKING               |     |  |
|-----------------------|-----|--|
| ITEM                  | QTY | DESCRIPTION                                    |
| Cardboard sleeve      | 2   | Top and Bottom                                 |
| Cardboard strip       | 2   | Between back of enclosure and inner panel      |
| Plastic bag           | 1   | To protect cover surface and inside gasket     |
| Cardboard corner      | 4   | To reinforced for the plastic strap tightening |
| Plastic strap - Black | 2   | To Squeeze the 2 cardboard sleeve together     |
| Packaging label       | 3   | White label with PN                            |
| Plastic strap- Green  | 2   | To secure the enclosure to the wood pallet     |
| Wood Pallet           | 1   | 2" deeper and 3" larger than enclosure size    |

|            |                   |     |  |
|------------|-------------------|-----|--|
| 6          | STK-Q-00600       | 2   | M12 to M8 Adaptor  |
| 1          | 881 SP7230G       | 0   | 881 SP - Inner Panel   |
| 1          | STK-K-01800       | 5   | 5412 ES Accessory Kit  |
| 1          | 5412ESSW723016THC | 0   | 5412ESSW 72" x 30" Cover   |
| 1          | 5412ESSW723016THB | 0   | 5412ESSW 72" x 30" x 16" Body  |
| 4          | STK-Q-04051-08    | 1   | M6 x 8mm Stainless Steel Hexagon Socket Head Machine Screw with Nyseal |
| Qty        | Part Number       | Rev | Description  |
| Parts List |                   |     |  |



Tél: (450) 979-4373  
Fax: (450) 979-4626  
[www.exmweb.com](http://www.exmweb.com)

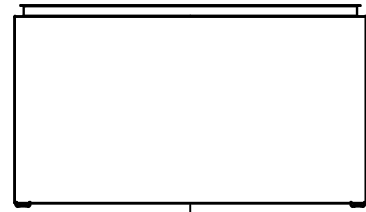
Flatness  
Aplatissement  
Max 3.0mm

Projection  


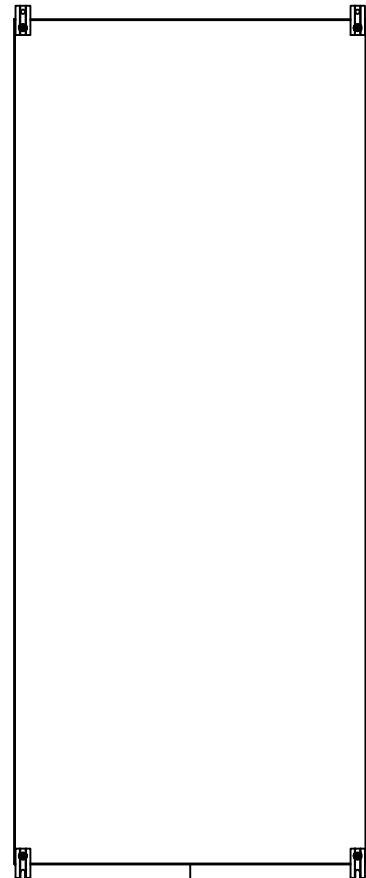
|                                   |                                     |
|-----------------------------------|-------------------------------------|
| Customer Client                   | Date                                |
| Drawn By<br>Dessiné Par           | Date 05-Jun-23                      |
| Material<br>Matière               | 14 Ga Stainless Steel 304 (1.7mm)   |
| Color<br>Couleur                  | Unpainted<br>Finish<br>Fini Brushed |
| Description                       | Detail Rev.                         |
| 5412ESSW 72" x 30" x 16" Assembly |                                     |
| Part Number<br>Numéro Pièce       | Rev. 2                              |
| <b>5412ESSW723016TH</b>           | <b>0</b>                            |

This drawing is confidential and must not be reproduced or used without the consent of EXM

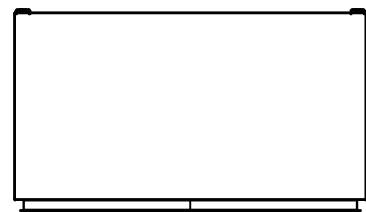
Ce dessin est confidentiel et ne doit pas être reproduit ou utilisé sans le consentement de EXM



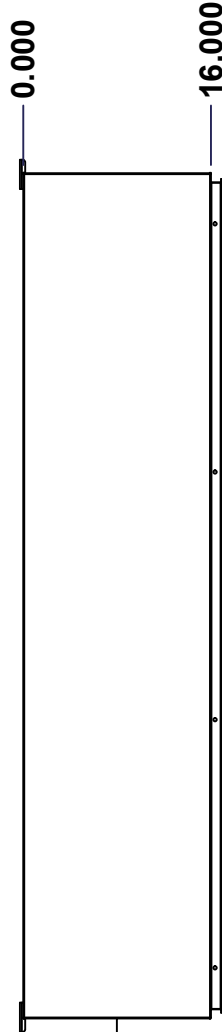
TOP



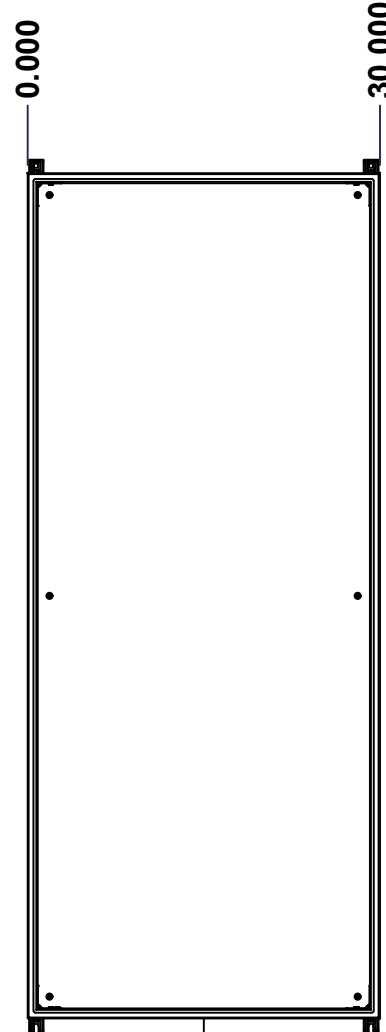
BACK



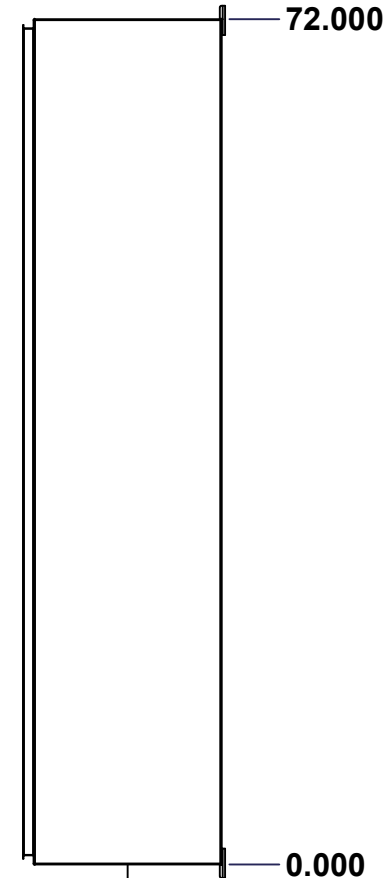
BOTTOM



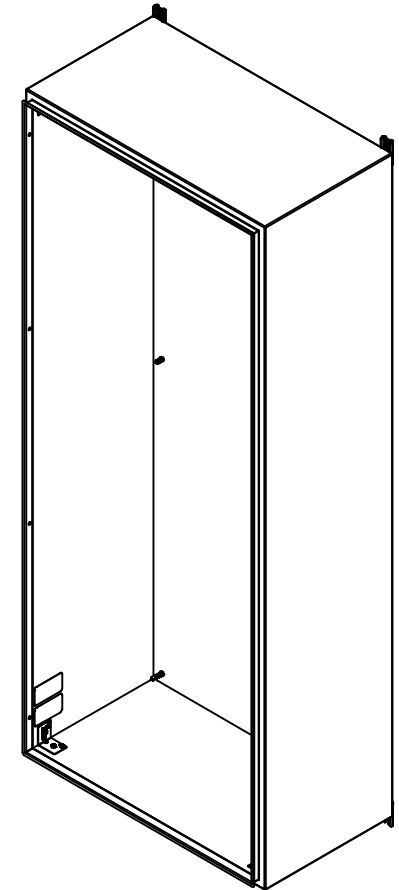
LEFT



FRONT




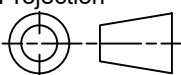
RIGHT



Isometric View



| No. | Revisions | Date | By/Par |
|-----|-----------|------|--------|
|     |           |      |        |
|     |           |      |        |
|     |           |      |        |
|     |           |      |        |
|     |           |      |        |

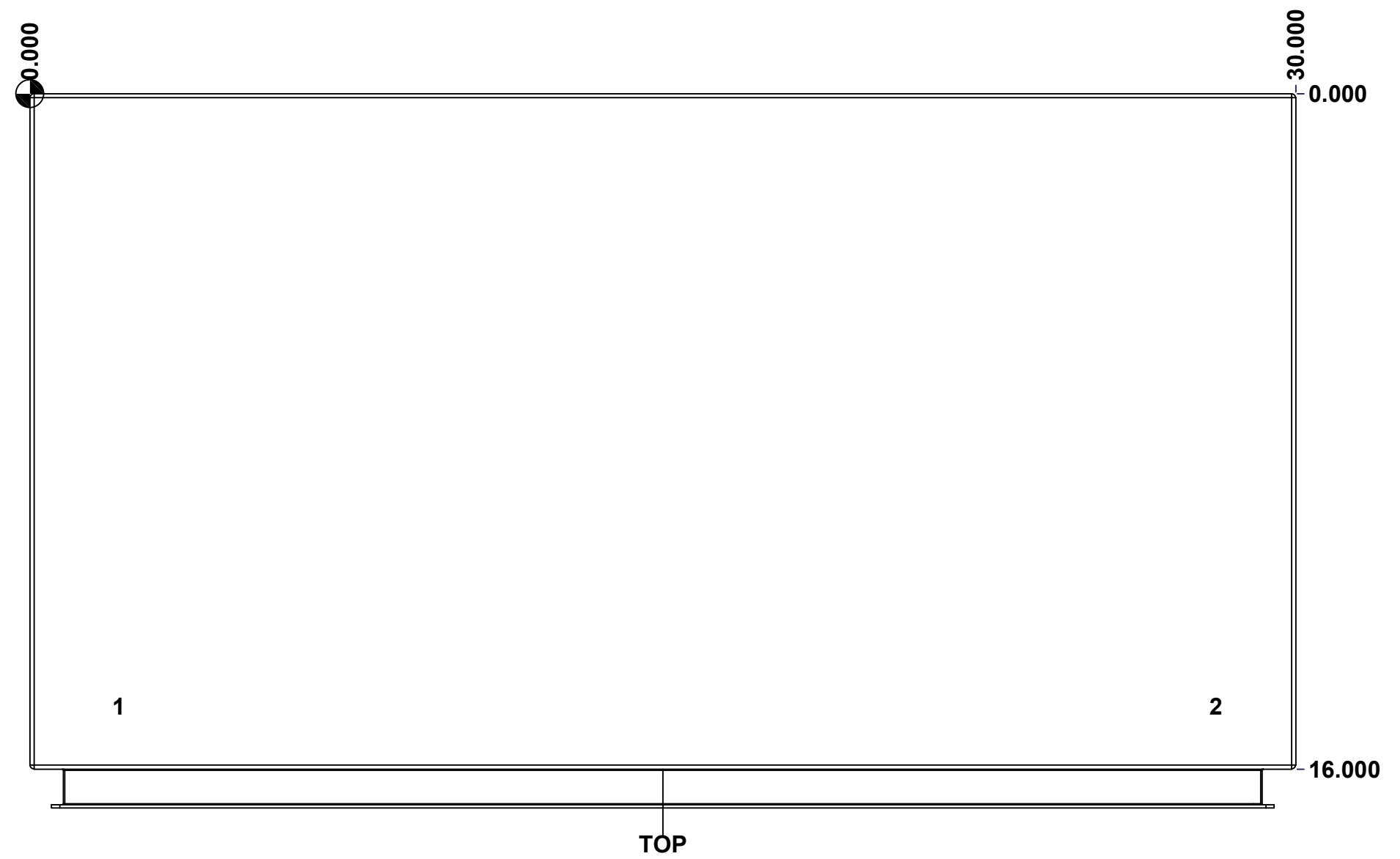
|  |                                   |   |
|--|-----------------------------------|---|
|  Tél: (450) 979-4373<br>Fax: (450) 979-4626<br><a href="http://www.exmweb.com">www.exmweb.com</a> |                                   | Flatness<br>Aplatissement<br>Max 3.0mm<br>Projection<br> |
| Customer Client  | Date                              |   |
| Drawn By<br>Dessiné Par  | BoxCad: BoxCad                    | Date 05-Jun-23  |
| Material<br>Matière  | 14 Ga Stainless Steel 304 (1.7mm) |   |
| Color<br>Couleur   | Unpainted                         | Finish<br>Fini<br>Brushed   |
| Description  | Detail Rev.                       |   |
| 5412ESSW 72" x 30" x 16" Body  |                                   |   |
| Part Number<br>Numéro Pièce  | Rev.                              | 3   |
| 5412ESSW723016THB  | 0                                 | 15  |

SEE BILL OF MATERIAL ON LAST PAGE

This drawing is confidential and must not be reproduced or used without the consent of EXM

Ce dessin est confidentiel et ne doit pas être reproduit ou utilisé sans le consentement de EXM

| <b>STANDARD FEATURES ARE NOT LISTED IN THIS HOLE TABLE</b> |        |        |                                |
|--|--------|--------|--------------------------------|
| <b>HOLE TABLE - TOP VIEW (CUSTOM FEATURE ONLY)</b>         |        |        |                                |
| CUT-OUT  | XDIM   | YDIM   | DESCRIPTION                    |
| 1  | 2.000  | 14.500 | INSUL. STUD M6 x 18mm (Inside) |
| 2  | 28.000 | 14.500 | INSUL. STUD M6 x 18mm (Inside) |

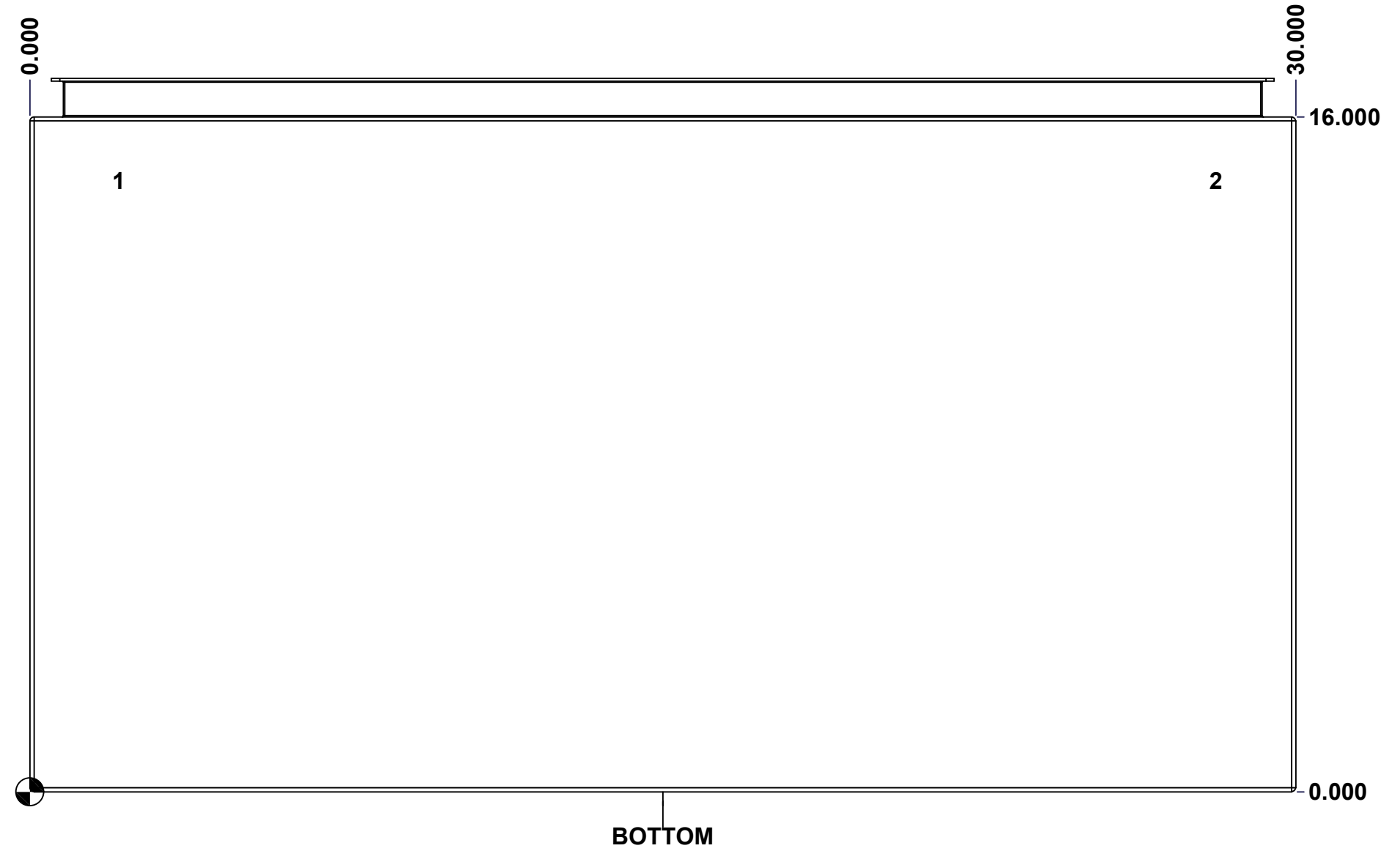


|  |                               |          |
|--|-------------------------------|----------|
|  | Description                   | Status   |
|  | 5412ESSW 72" x 30" x 16" Body | (NULL)   |
|  | Part Number<br>Numéro Pièce   | Rev.     |
|  | <b>5412ESSW723016THB</b>      | <b>0</b> |
|  |                               | 4        |
|  |                               | 15       |

This drawing is confidential and must not be reproduced or used without the consent of EXM

Ce dessin est confidentiel et ne doit pas être reproduit ou utilisé sans le consentement de EXM

| <b>STANDARD FEATURES ARE NOT LISTED IN THIS HOLE TABLE</b> |        |        |                                |
|--|--------|--------|--------------------------------|
| <b>HOLE TABLE - BOTTOM VIEW (CUSTOM FEATURE ONLY)</b>      |        |        |                                |
| CUT-OUT  | XDIM   | YDIM   | DESCRIPTION                    |
| 1  | 2.000  | 14.500 | INSUL. STUD M6 x 18mm (Inside) |
| 2  | 28.000 | 14.500 | INSUL. STUD M6 x 18mm (Inside) |



|  |                               |              |
|--|-------------------------------|--------------|
|  | Description                   | Status       |
|  | 5412ESSW 72" x 30" x 16" Body | (NULL)       |
|  | Part Number<br>Numéro Pièce   | Rev.         |
|  | <b>5412ESSW723016THB</b>      | <b>0</b> / 5 |
|  |                               | 15           |

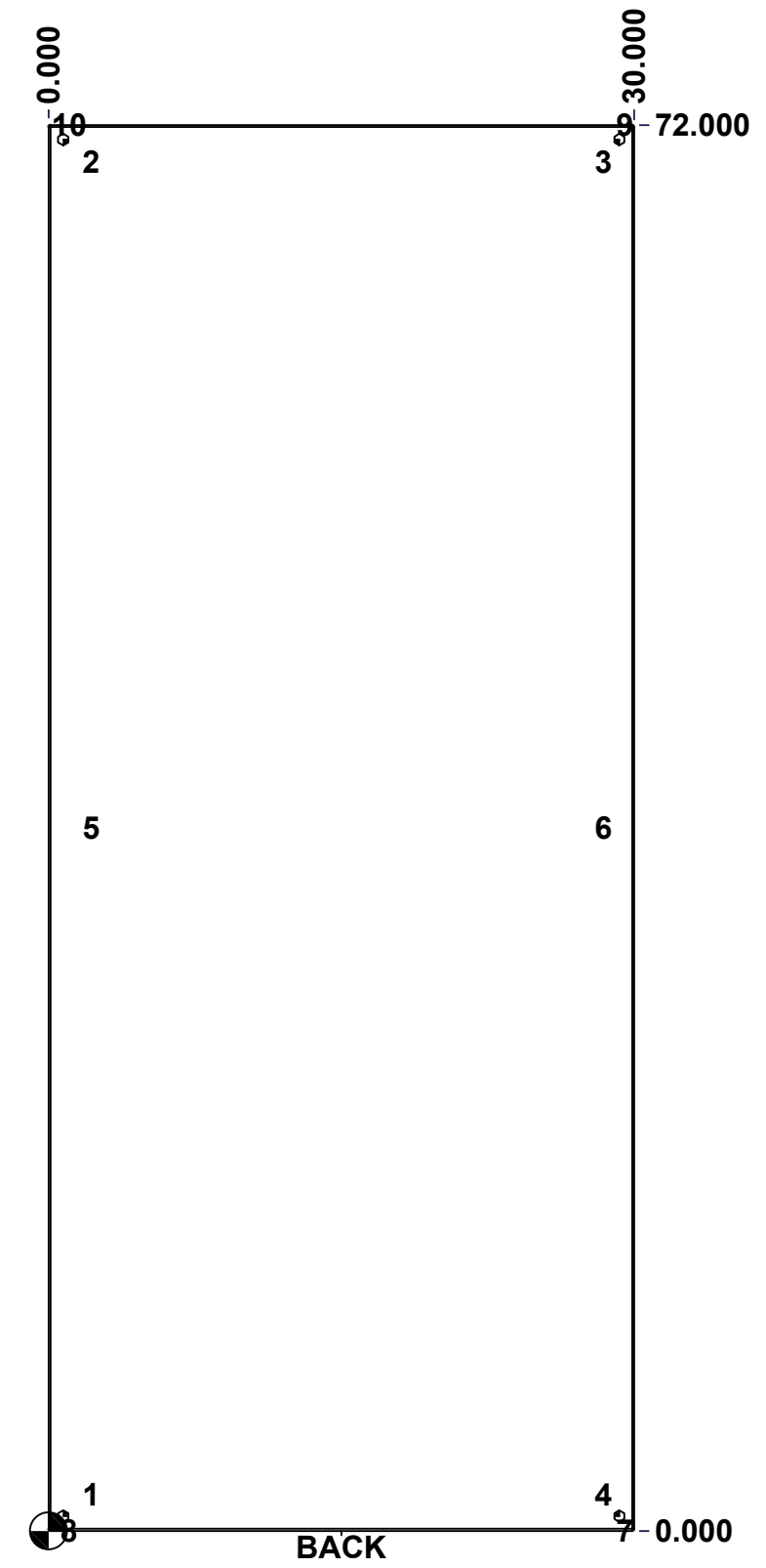
This drawing is confidential and must not be reproduced or used without the consent of EXM

Ce dessin est confidentiel et ne doit pas être reproduit ou utilisé sans le consentement de EXM

**STANDARD FEATURES ARE NOT LISTED IN THIS HOLE TABLE**

**HOLE TABLE - BACK VIEW (CUSTOM FEATURE ONLY)**

| CUT-OUT | XDIM   | YDIM   | DESCRIPTION                |
|---------|--------|--------|----------------------------|
| 1       | 1.875  | 1.875  | IP STUD M8 x 35mm (Inside) |
| 2       | 1.875  | 70.125 | IP STUD M8 x 35mm (Inside) |
| 3       | 28.125 | 70.125 | IP STUD M8 x 35mm (Inside) |
| 4       | 28.125 | 1.875  | IP STUD M8 x 35mm (Inside) |
| 5       | 1.875  | 36.000 | IP STUD M8 x 35mm (Inside) |
| 6       | 28.125 | 36.000 | IP STUD M8 x 35mm (Inside) |
| -----   |        |        |                            |
| 7       | 29.250 | 0.000  | FOOT 885 ESMF4_OPEN        |
| 8       | 0.750  | 0.000  | FOOT 885 ESMF4_OPEN        |
| 9       | 29.250 | 72.000 | FOOT 885 ESMF4_CLOSE       |
| 10      | 0.750  | 72.000 | FOOT 885 ESMF4_CLOSE       |

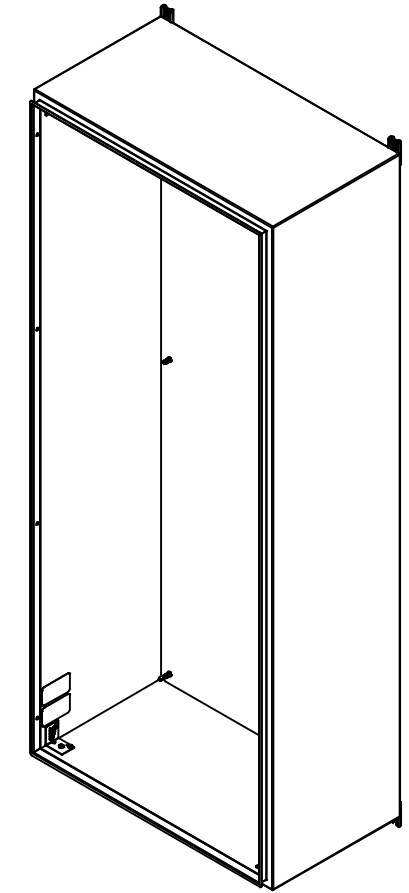


|  |                               |          |    |
|--|-------------------------------|----------|----|
|  | Description                   | Status   |    |
|  | 5412ESSW 72" x 30" x 16" Body | (NULL)   |    |
|  | Part Number<br>Numéro Pièce   | Rev.     | 6  |
|  | <b>5412ESSW723016THB</b>      | <b>0</b> | 15 |

This drawing is confidential and must not be reproduced or used without the consent of EXM

Ce dessin est confidentiel et ne doit pas être reproduit ou utilisé sans le consentement de EXM

| No. | Revisions | Date | By/Par |
|-----|-----------|------|--------|
|     |           |      |        |
|     |           |      |        |
|     |           |      |        |
|     |           |      |        |
|     |           |      |        |


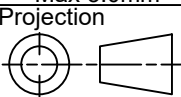


Isometric View



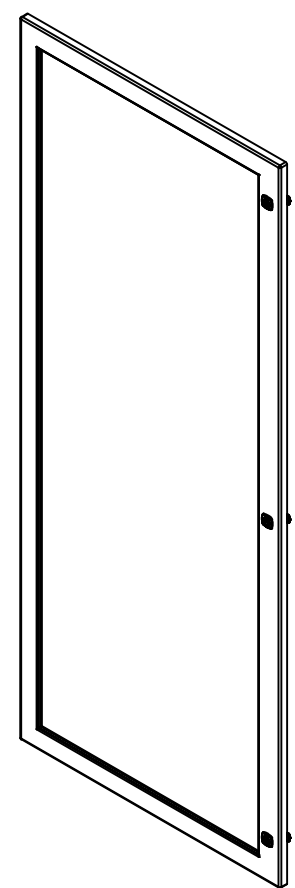
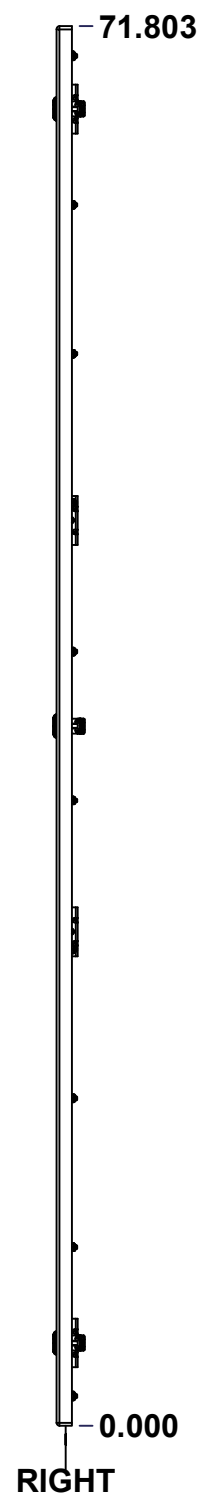
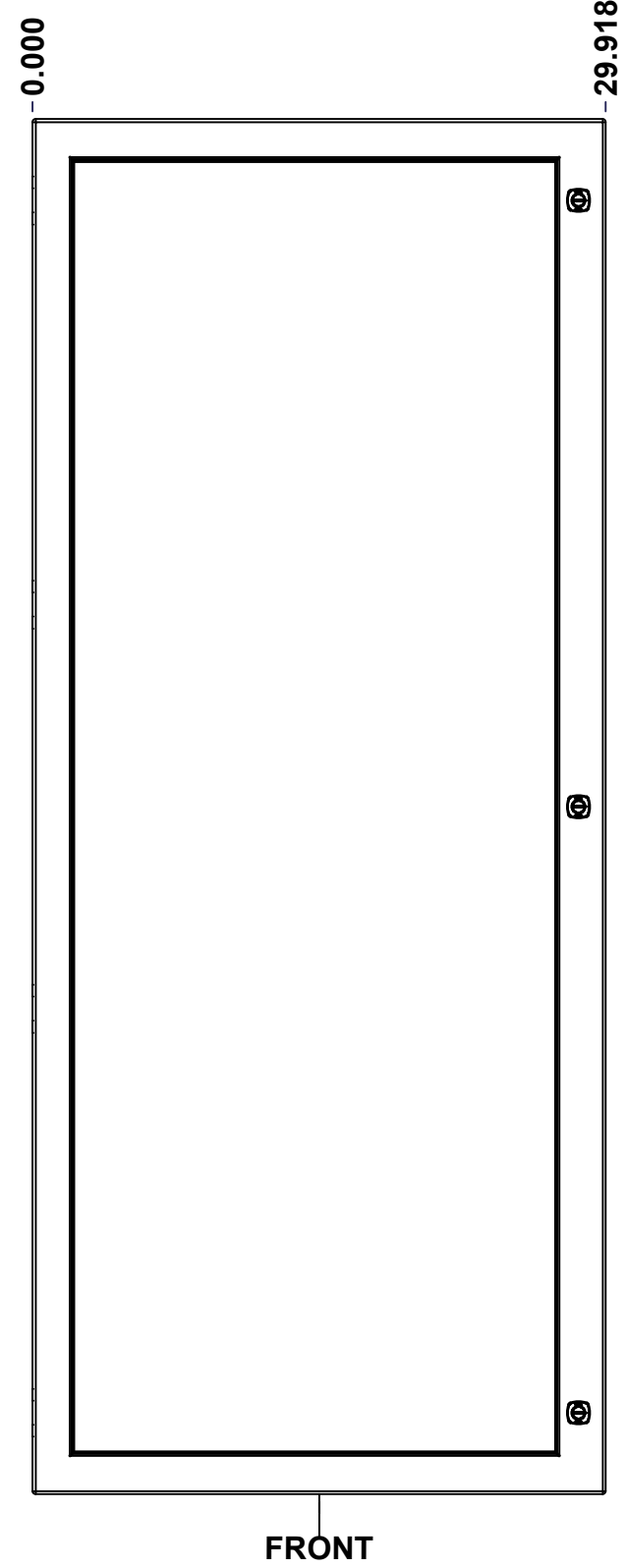
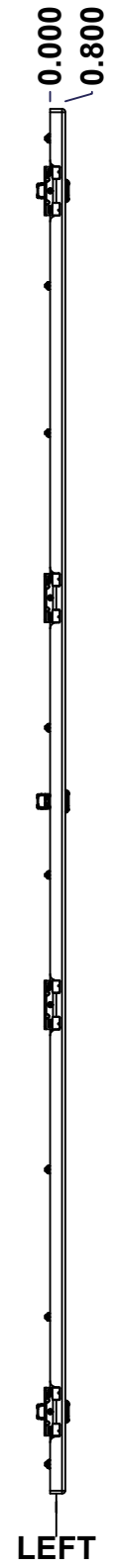
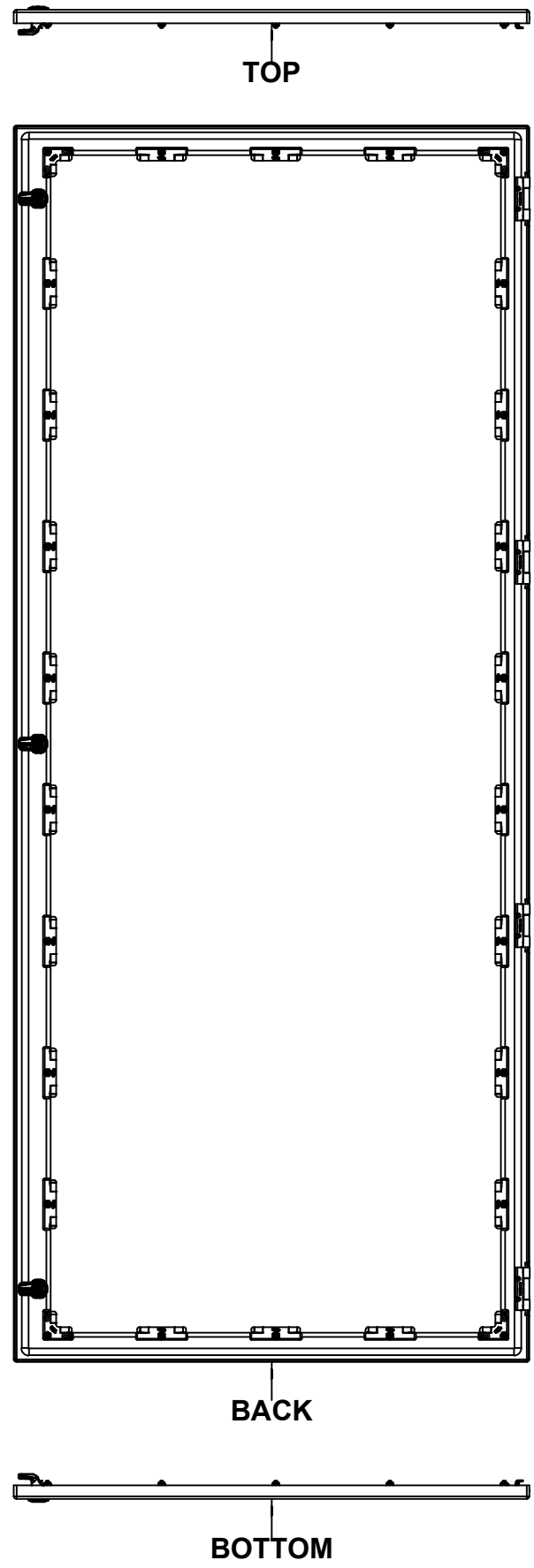
|   |                        |   |   |
|---|------------------------|---|---|
| 2 | 885ESMF4-FEET          | 0 | 885 ESMF4 Stainless Steel Mounting Foot               |
| 4 | RIVET_NUT_SS_M10_FH_CE | 0 | Stainless Steel Rivet Nut M10 (Low Profile Close End) |
| 4 | STK-Q-06670            | 2 | M10 x 16mm Stainless Steel Machine Screw              |
| 2 | 885ESMF4-FEET-A        | 0 | 885 ESMF4 Stainless Steel Mounting Foot (Opened Slot) |
| 2 | STK-S-00100            | 0 | 3.5" x 2" Silver Milar Flexcon Sticker                |
| 1 | STK-K-70554            | 3 | 5412 ESTH Accessory Kit                               |
| 1 | 5412ESSW723016THI-RS   | 0 | 5412ESSW 72" x 30" Right Insulation                   |
| 1 | 5412ESSW723016THI-LS   | 0 | 5412ESSW 72" x 30" Left Insulation                    |
| 1 | 5412ESSW723016THI-BT   | 0 | 5412ESSW 72" x 30" Top and Bottom Insulation          |
| 1 | 5412ESSW723016THI-TP   | 0 | 5412ESSW 72" x 30" Top and Bottom Insulation          |
| 1 | 5412ESSW723016THI-B    | 0 | 5412ESSW 72" x 30" Back Insulation                    |
| 4 | STK-Q-16070            | 1 | Stud M6 x 18mm Stainless steel                        |
| 6 | STK-Q-16020            | 1 | Stud M8 x 35mm Stainless Steel                        |
| 1 | 5412ESSW723016THB-P    | 0 | 5412ESSW 72" x 30" x 16" Body Part                    |

| Qty        | Part Number | Rev | Description |
|------------|-------------|-----|-------------|
| Parts List |             |     |             |

|  |                                   |   |
|--|-----------------------------------|---|
|  Tél: (450) 979-4373<br>Fax: (450) 979-4626<br><a href="http://www.exmweb.com">www.exmweb.com</a> |                                   | Flatness<br>Aplatissement<br>Max 3.0mm<br>Projection<br> |
| Customer<br>Client   | Date                              |   |
| Drawn By<br>Dessiné Par  | BoxCad: BoxCad                    | Date 05-Jun-23  |
| Material<br>Matière  | 14 Ga Stainless Steel 304 (1.7mm) |   |
| Color<br>Couleur   | Unpainted                         | Finish<br>Fini<br>Brushed   |
| Description  | Detail Rev.                       |   |
| 5412ESSW 72" x 30" x 16" Body  |                                   |   |
| Part Number<br>Numéro Pièce  | Rev.                              | 7   |
| <b>5412ESSW723016THB</b>   | <b>0</b>                          | 15  |

This drawing is confidential and must not be reproduced or used without the consent of EXM


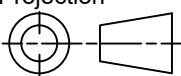
Ce dessin est confidentiel et ne doit pas être reproduit ou utilisé sans le consentement de EXM



Isometric View



| No. | Revisions | Date | By/Par |
|-----|-----------|------|--------|
|     |           |      |        |
|     |           |      |        |
|     |           |      |        |
|     |           |      |        |
|     |           |      |        |

|  |                                   |   |
|--|-----------------------------------|---|
|  Tél: (450) 979-4373<br>Fax: (450) 979-4626<br><a href="http://www.exmweb.com">www.exmweb.com</a> |                                   | Flatness<br>Aplatissement<br>Max 3.0mm<br>Projection<br> |
| Customer Client  | Date                              |   |
| Drawn By<br>Dessiné Par  | BoxCad: BoxCad                    | Date 05-Jun-23  |
| Material<br>Matière  | 14 Ga Stainless Steel 304 (1.7mm) |   |
| Color<br>Couleur   | Unpainted                         | Finish<br>Fini<br>Brushed   |
| Description<br>5412ESSW 72" x 30" Cover  |                                   | Detail Rev.   |
| Part Number<br>Numéro Pièce  | Rev. 0                            | 8 / 15  |

SEE BILL OF MATERIAL ON LAST PAGE

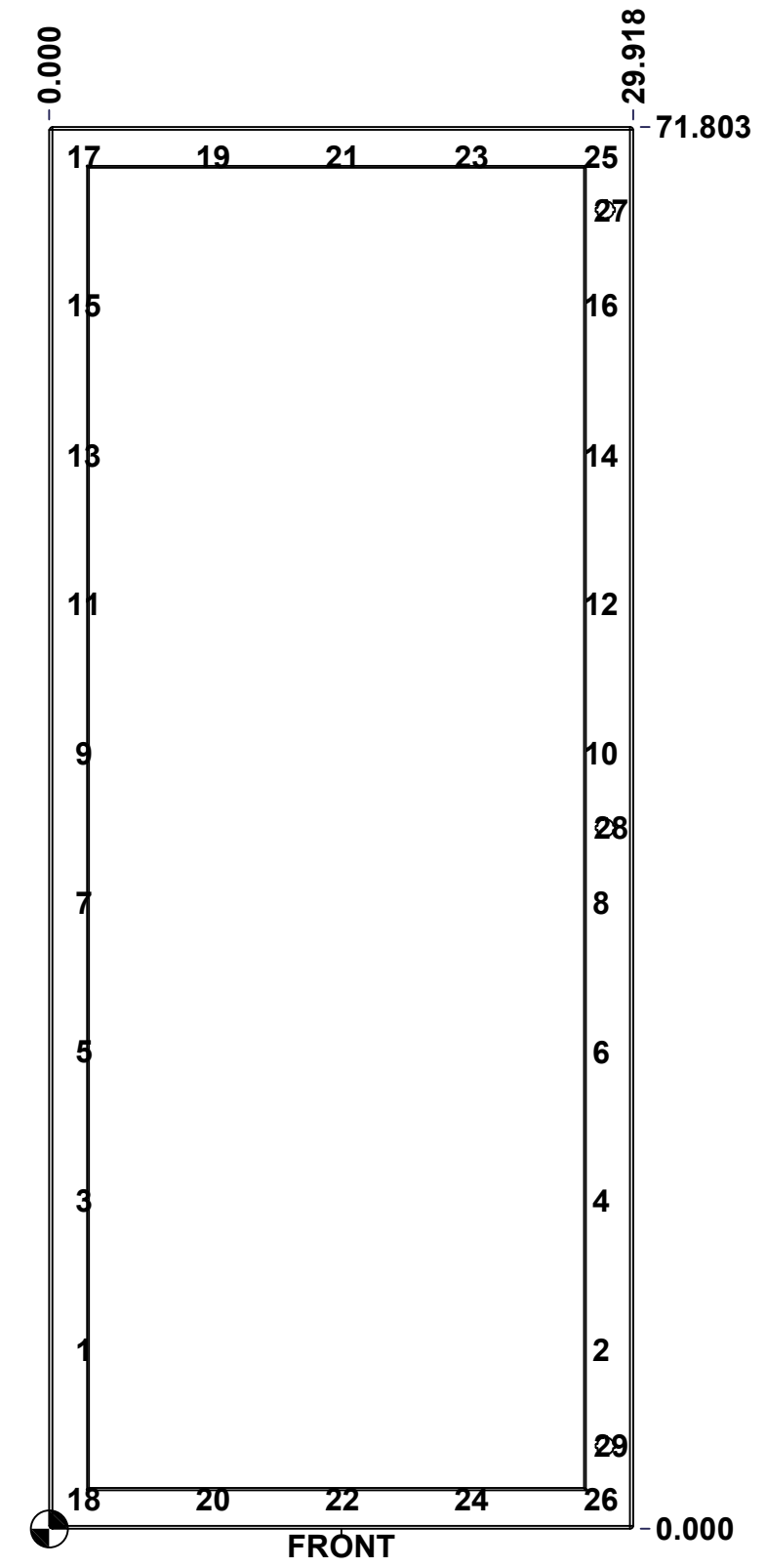
**5412ESSW723016THC**



This drawing is confidential and must not be reproduced or used without the consent of EXM

Ce dessin est confidentiel et ne doit pas être reproduit ou utilisé sans le consentement de EXM

| STANDARD FEATURES ARE NOT LISTED IN THIS HOLE TABLE |        |        |                         |
|---|--------|--------|-------------------------|
| HOLE TABLE - FRONT VIEW (CUSTOM FEATURE ONLY)       |        |        |                         |
| CUT-OUT   | XDIM   | YDIM   | DESCRIPTION             |
| 1   | 1.469  | 9.166  | STUD M6 x 18mm (Inside) |
| 2   | 27.968 | 9.166  | STUD M6 x 18mm (Inside) |
| 3   | 1.469  | 16.805 | STUD M6 x 18mm (Inside) |
| 4   | 27.968 | 16.805 | STUD M6 x 18mm (Inside) |
| 5   | 1.469  | 24.443 | STUD M6 x 18mm (Inside) |
| 6   | 27.968 | 24.443 | STUD M6 x 18mm (Inside) |
| 7   | 1.469  | 32.082 | STUD M6 x 18mm (Inside) |
| 8   | 27.968 | 32.082 | STUD M6 x 18mm (Inside) |
| 9   | 1.469  | 39.721 | STUD M6 x 18mm (Inside) |
| 10  | 27.968 | 39.721 | STUD M6 x 18mm (Inside) |
| 11  | 1.469  | 47.360 | STUD M6 x 18mm (Inside) |
| 12  | 27.968 | 47.360 | STUD M6 x 18mm (Inside) |
| 13  | 1.469  | 54.998 | STUD M6 x 18mm (Inside) |
| 14  | 27.968 | 54.998 | STUD M6 x 18mm (Inside) |
| 15  | 1.469  | 62.637 | STUD M6 x 18mm (Inside) |
| 16  | 27.968 | 62.637 | STUD M6 x 18mm (Inside) |
| 17  | 1.469  | 70.276 | STUD M6 x 18mm (Inside) |
| 18  | 1.469  | 1.527  | STUD M6 x 18mm (Inside) |
| 19  | 8.094  | 70.276 | STUD M6 x 18mm (Inside) |
| 20  | 8.094  | 1.527  | STUD M6 x 18mm (Inside) |
| 21  | 14.719 | 70.276 | STUD M6 x 18mm (Inside) |
| 22  | 14.719 | 1.527  | STUD M6 x 18mm (Inside) |
| 23  | 21.343 | 70.276 | STUD M6 x 18mm (Inside) |
| 24  | 21.343 | 1.527  | STUD M6 x 18mm (Inside) |
| 25  | 27.968 | 70.276 | STUD M6 x 18mm (Inside) |
| 26  | 27.968 | 1.527  | STUD M6 x 18mm (Inside) |
| -----   |        |        |                         |
| 27  | 28.494 | 67.553 | 880 SCQ4-SLSS6          |
| 28  | 28.494 | 35.902 | 880 SCQ4-SLSS6          |
| 29  | 28.494 | 4.250  | 880 SCQ4-SLSS6          |

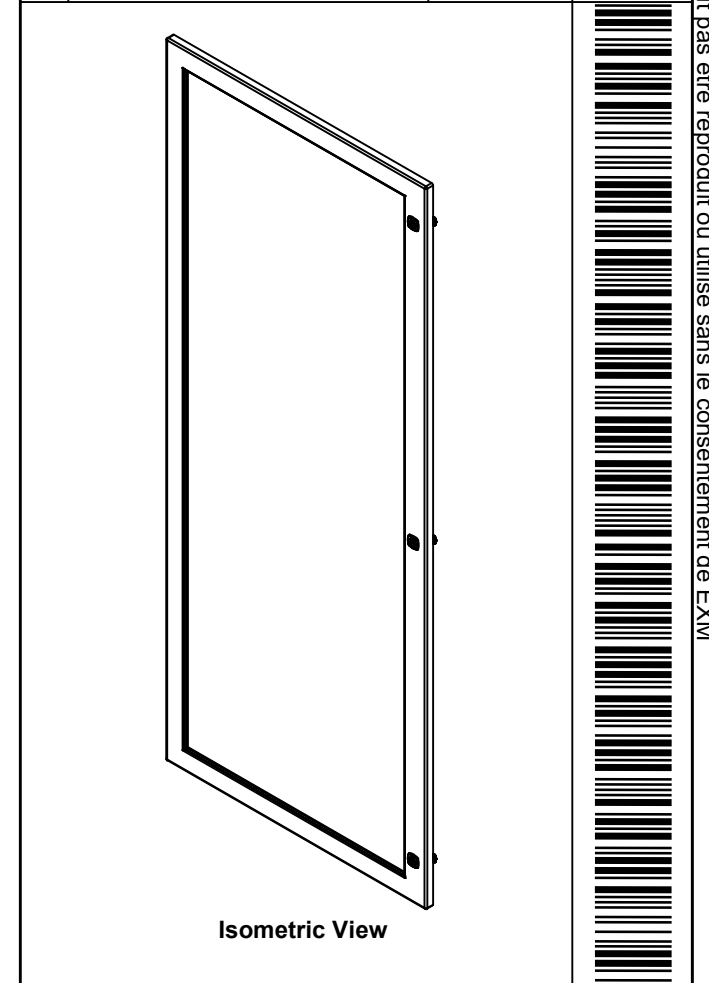


|  |                             |          |
|--|-----------------------------|----------|
|  | Description                 | Status   |
|  | 5412ESSW 72" x 30" Cover    | (NULL)   |
|  | Part Number<br>Numéro Pièce | Rev.     |
|  | <b>5412ESSW723016THC</b>    | <b>0</b> |
|  |                             | 9        |
|  |                             | 15       |

This drawing is confidential and must not be reproduced or used without the consent of EXM

Ce dessin est confidentiel et ne doit pas être reproduit ou utilisé sans le consentement de EXM

| No. | Revisions | Date | By/Par |
|-----|-----------|------|--------|
|     |           |      |        |
|     |           |      |        |
|     |           |      |        |
|     |           |      |        |
|     |           |      |        |



**EXM**  
www.exmweb.com

Tél: (450) 979-4373  
Fax: (450) 979-4626

Flatness  
Aplatissement  
Max 3.0mm

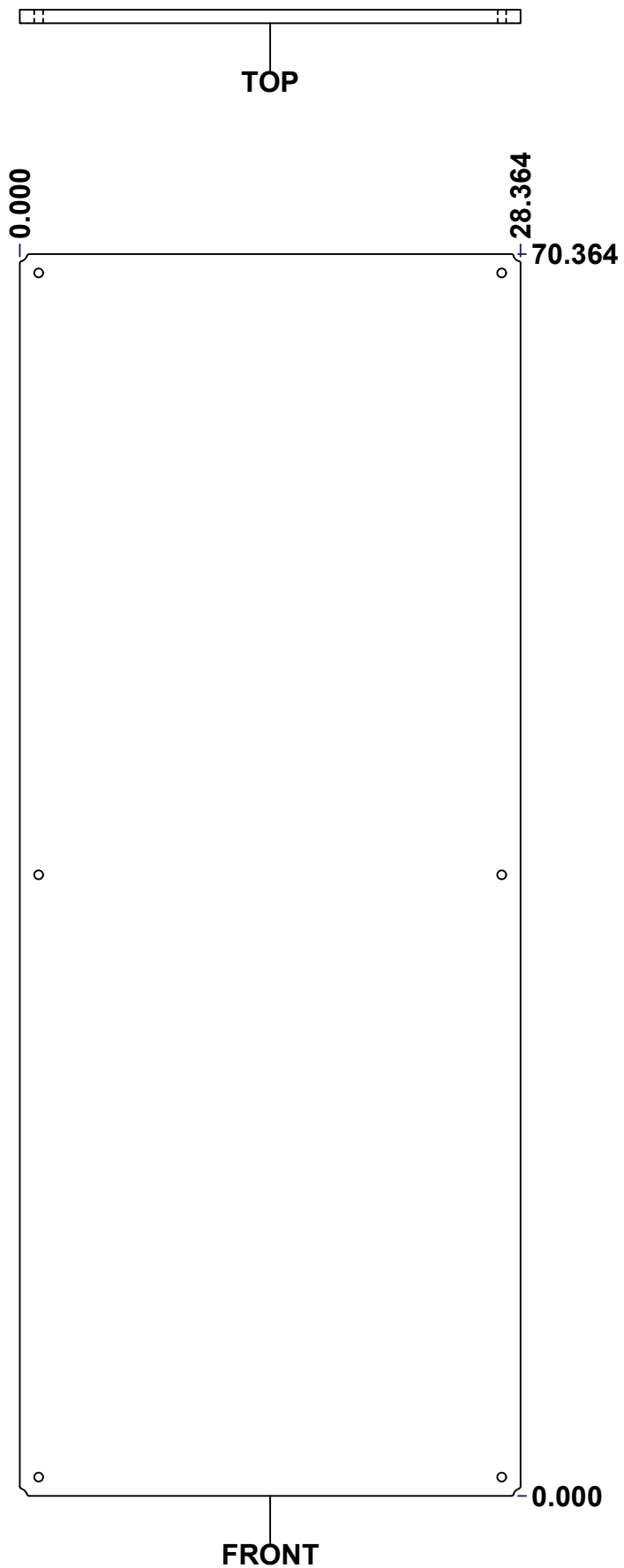
Projection

|            |                     |     |                                       |
|------------|---------------------|-----|---------------------------------------|
| 22         | STK-Q-60701         | 2.1 | 880 WK - Lexan 1/4" Fixing Bracket    |
| 1          | STK-A-60703         | 0   | 5412 ESW Lexan Bracket Kit            |
| 26         | STK-Q-16053         | 1   | Stud M6 x 23mm Stainless steel        |
| 1          | STK-G-02710         | 0   | 880 HWKG - Windows Kit Gasket         |
| 1          | 5412ESSW723016THLXG | 0   | 5412ESSW 72" x 30" Lexan Gasket Part  |
| 1          | 5412ESSW723016THLX  | 0   | 5412ESSW 68.375" x 26.125" Lexan Part |
| 1          | 5412ESSW723016THG   | 0   | 5412ESSW 72" x 30" Cover Gasket Part  |
| 1          | 5412ESSW723016THC-P | 0   | 5412ESSW 72" x 30" Cover Part         |
| 3          | 880 SCQ4-SLSS6      | 7   | 5412 ESS 1/4 Turn Lock                |
| 4          | STK-A-33016         | 0   | 5412 ESS Bended Hinge (Body Part)     |
| QTY        | Part Number         | Rev | Description                           |
| Parts List |                     |     |                                       |

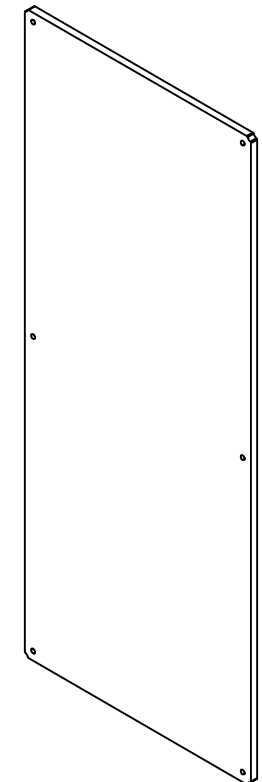
|                             |                                   |
|-----------------------------|-----------------------------------|
| Customer<br>Client          | Date                              |
| Drawn By<br>Dessiné Par     | Date 05-Jun-23                    |
| Material<br>Matière         | 14 Ga Stainless Steel 304 (1.7mm) |
| Color<br>Couleur            | Unpainted                         |
| Finish<br>Fini              | Brushed                           |
| Description                 | Detail Rev.                       |
| 5412ESSW 72" x 30" Cover    |                                   |
| Part Number<br>Numéro Pièce | Rev. 10                           |
| <b>5412ESSW723016THC</b>    | <b>0</b> 15                       |

This drawing is confidential and must not be reproduced or used without the consent of EXM

Ce dessin est confidentiel et ne doit pas être reproduit ou utilisé sans le consentement de EXM


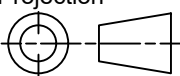


| No. | Revisions | Date | By/Par |
|-----|-----------|------|--------|
|     |           |      |        |
|     |           |      |        |
|     |           |      |        |
|     |           |      |        |
|     |           |      |        |



Isometric View

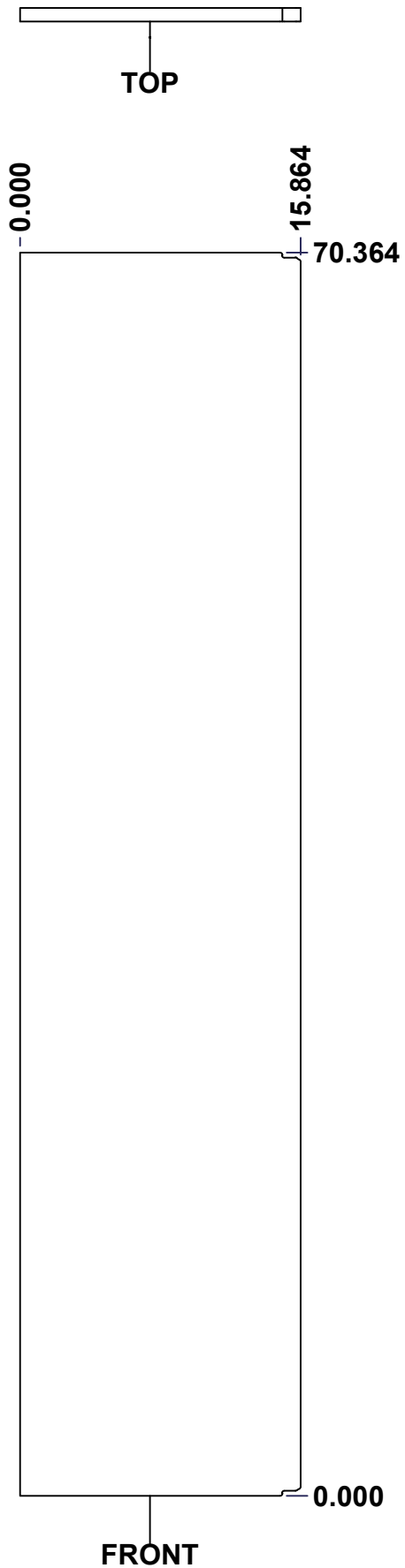


|  |                           |   |
|--|---------------------------|---|
|  Tél: (450) 979-4373<br>Fax: (450) 979-4626<br><a href="http://www.exmweb.com">www.exmweb.com</a> | Flatness<br>Aplatissement | Max 3.0mm   |
|  | Projection                |  |
| Customer<br>Client   | Date                      |   |
| Drawn By<br>Dessiné Par  | BoxCad: Patrick Deschenes | Date 23-Jan-07  |
| Material<br>Matière  | Polyisocyanurate          |   |
| Color<br>Couleur   | Aluminum                  | Finish<br>Fini N/A  |
| Description  | Detail Rev.               |   |
| 5412ESSW 72" x 30" Back Insulation   |                           |   |
| Part Number<br>Numéro Pièce  | Rev.                      | 11  |
| 5412ESSW723016THI-B  | 0                         | 15  |

SEE BILL OF MATERIAL ON LAST PAGE

This drawing is confidential and must not be reproduced or used without the consent of EXM

Ce dessin est confidentiel et ne doit pas être reproduit ou utilisé sans le consentement de EXM



| No. | Revisions | Date | By/Par |
|-----|-----------|------|--------|
|     |           |      |        |
|     |           |      |        |
|     |           |      |        |
|     |           |      |        |

**Isometric View**

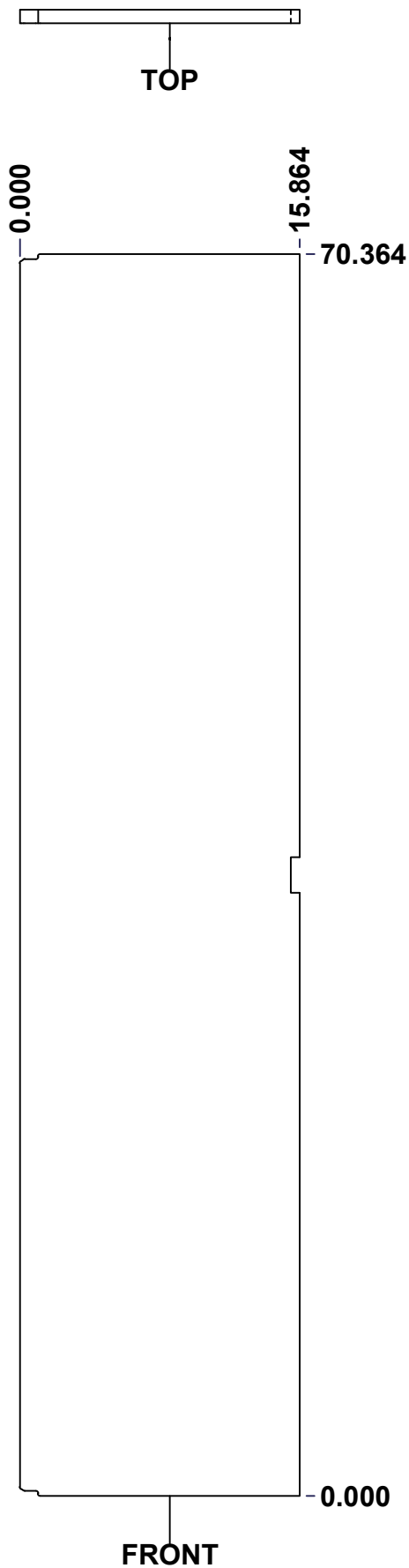
|  |  |                           |                |
|--|--|---------------------------|----------------|
| Tél: (450) 979-4373<br>Fax: (450) 979-4626<br><a href="http://www.exmweb.com">www.exmweb.com</a> |  | Flatness<br>Aplatissement |                |
|  |  | Max 3.0mm                 |                |
| Customer<br>Client   |  | Date                      |                |
| Drawn By<br>Dessiné Par  |  | Date                      |                |
| Material<br>Matière  |  | Polyisocyanurate          |                |
| Color<br>Couleur   |  | Aluminum                  | Finish<br>Fini |
| Description  |  | Detail Rev.               |                |
| Part Number<br>Numéro Pièce  |  | Rev.                      | 12             |
| SEE BILL OF MATERIAL ON LAST PAGE  |  | 0                         | 15             |

**SEE BILL OF MATERIAL ON LAST PAGE**

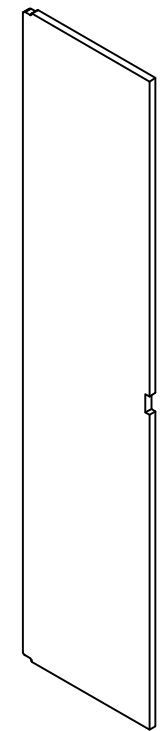
**5412ESSW723016THI-LS**

This drawing is confidential and must not be reproduced or used without the consent of EXM

Ce dessin est confidentiel et ne doit pas être reproduit ou utilisé sans le consentement de EXM



| No. | Revisions | Date | By/Par |
|-----|-----------|------|--------|
|     |           |      |        |
|     |           |      |        |
|     |           |      |        |
|     |           |      |        |
|     |           |      |        |



Isometric View



Tél: (450) 979-4373  
 Fax: (450) 979-4626  
[www.exmweb.com](http://www.exmweb.com)

Flatness  
Aplatissement  
Max 3.0mm  
Projection

|   |                    |
|---|--------------------|
| Customer Client                                   | Date               |
| Drawn By / Dessiné Par: BoxCad: Patrick Deschenes | Date: 23-Jan-07    |
| Material / Matière: Polyisocyanurate              |                    |
| Color / Couleur: Aluminum                         | Finish / Fini: N/A |

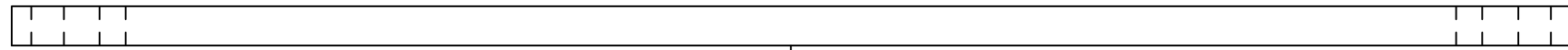
Description: 5412ESSW 72" x 30" Right Insulation  
 Detail Rev.

|  |        |    |
|--|--------|----|
| Part Number / Numéro Pièce: 5412ESSW723016THI-RS | Rev. 0 | 13 |
|--|--------|----|

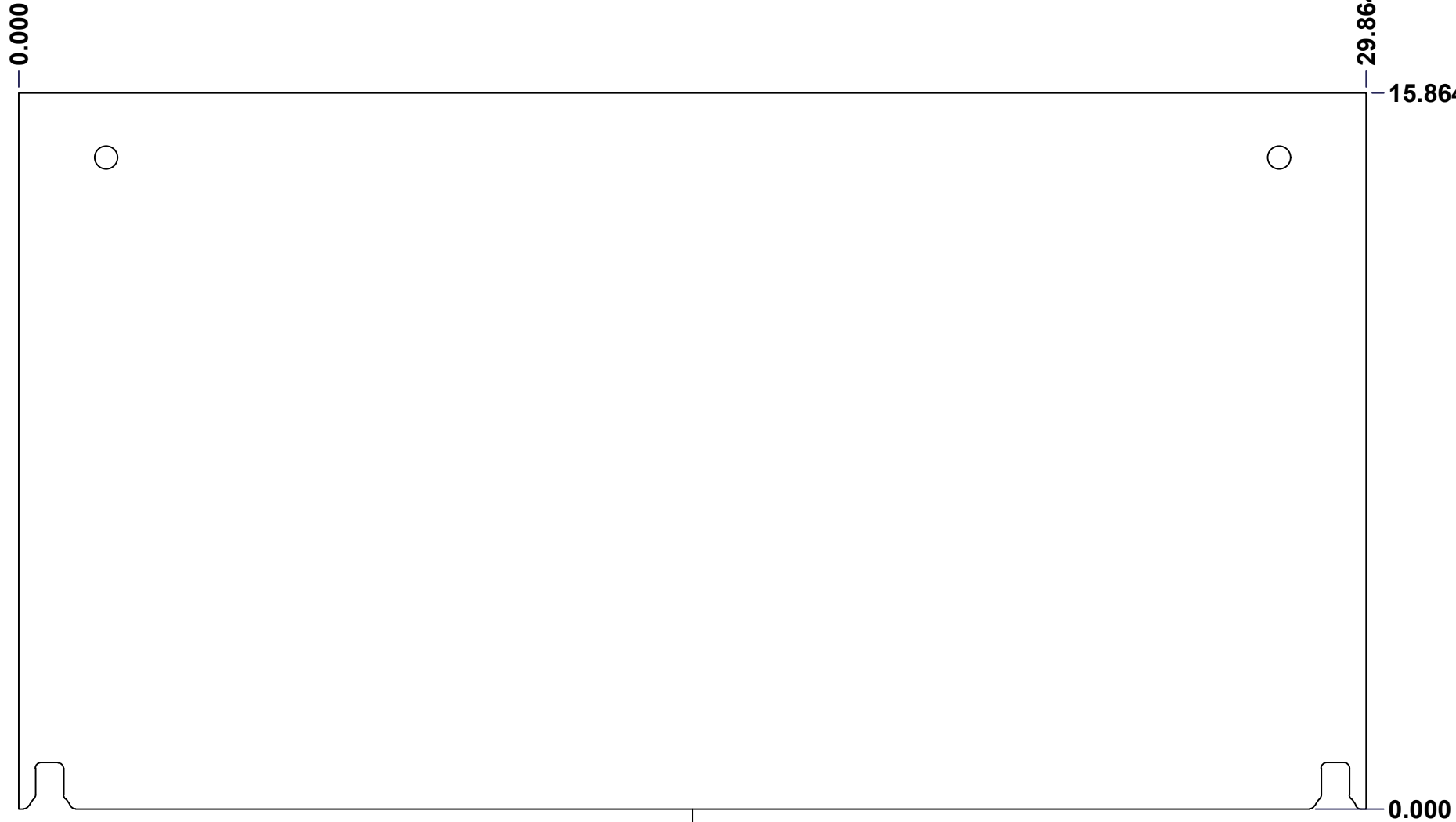
SEE BILL OF MATERIAL ON LAST PAGE

This drawing is confidential and must not be reproduced or used without the consent of EXM

Ce dessin est confidentiel et ne doit pas être reproduit ou utilisé sans le consentement de EXM

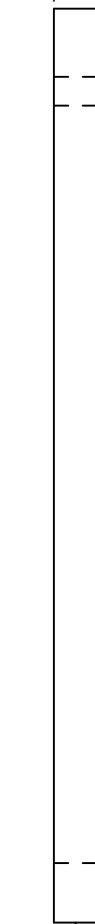


TOP



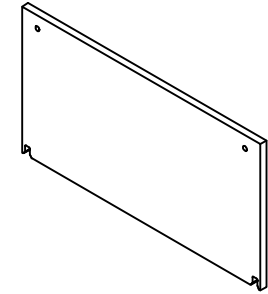
FRONT

0.000  
0.750



RIGHT

| No. | Revisions | Date | By/Par |
|-----|-----------|------|--------|
|     |           |      |        |
|     |           |      |        |
|     |           |      |        |
|     |           |      |        |



Isometric View

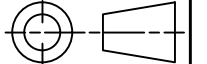


Tél: (450) 979-4373  
Fax: (450) 979-4626  
[www.exmweb.com](http://www.exmweb.com)

Flatness  
Aplatissement

Max 3.0mm

Projection

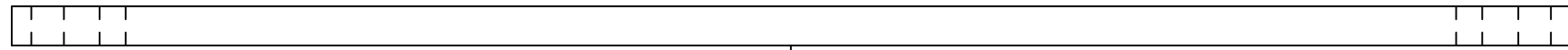


|   |                    |
|---|--------------------|
| Customer Client   | Date               |
| Drawn By / Dessiné Par: BoxCad: Patrick Deschenes         | Date: 23-Jan-07    |
| Material / Matière: Polyisocyanurate                      |                    |
| Color / Couleur: Aluminum                                 | Finish / Fini: N/A |
| Description: 5412ESSW 72" x 30" Top and Bottom Insulation | Detail Rev.        |
| Part Number / Numéro Pièce: 5412ESSW723016THI-TP          | Rev. 0             |

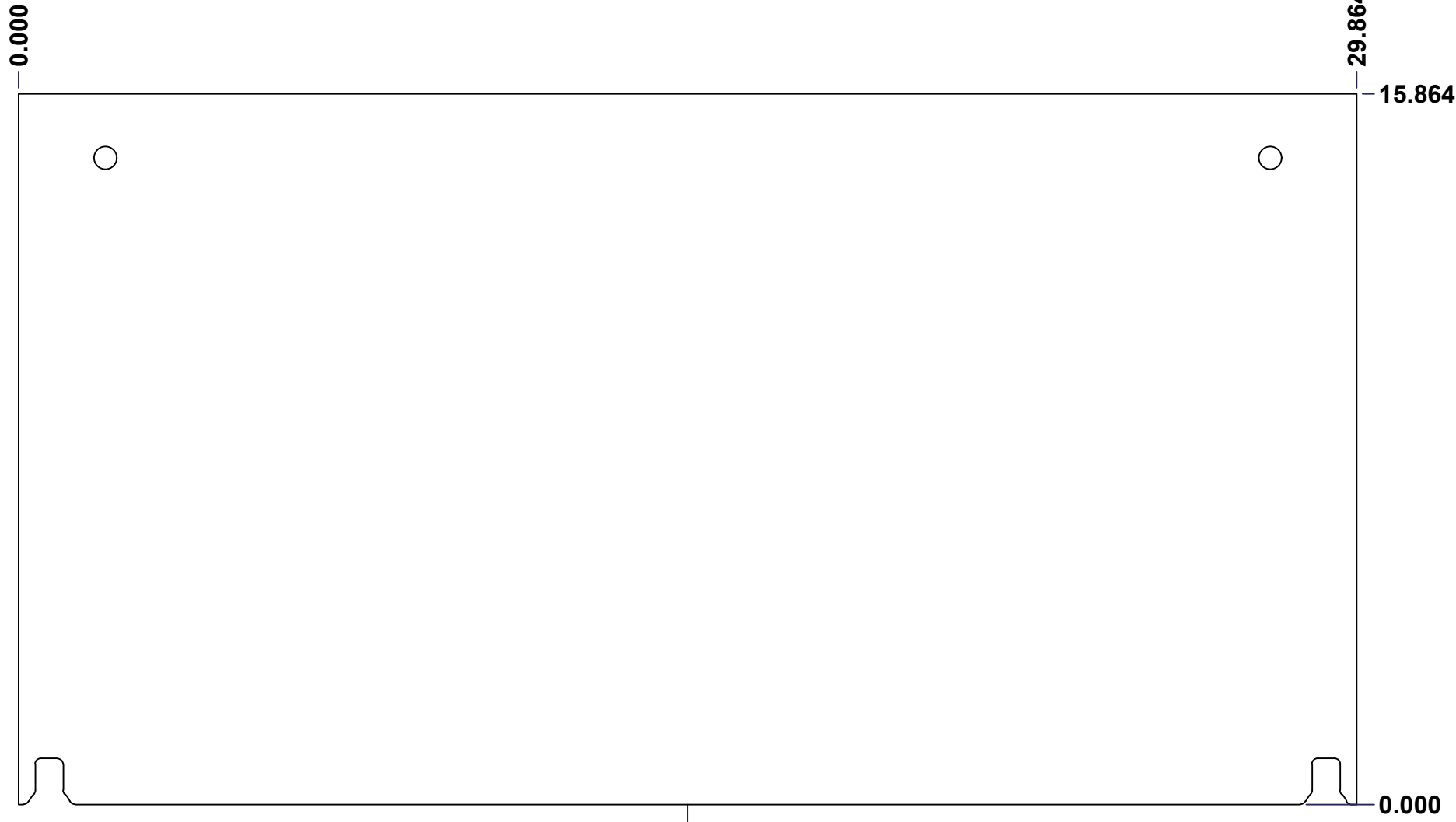
SEE BILL OF MATERIAL ON LAST PAGE

This drawing is confidential and must not be reproduced or used without the consent of EXM

Ce dessin est confidentiel et ne doit pas être reproduit ou utilisé sans le consentement de EXM

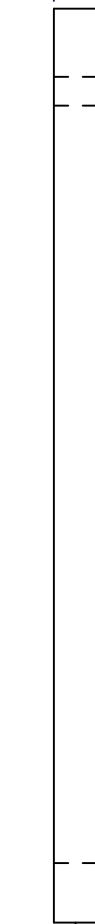


TOP



FRONT

0.000  
0.750



RIGHT

| No. | Revisions | Date | By/Par |
|-----|-----------|------|--------|
|     |           |      |        |
|     |           |      |        |
|     |           |      |        |
|     |           |      |        |

**Isometric View**

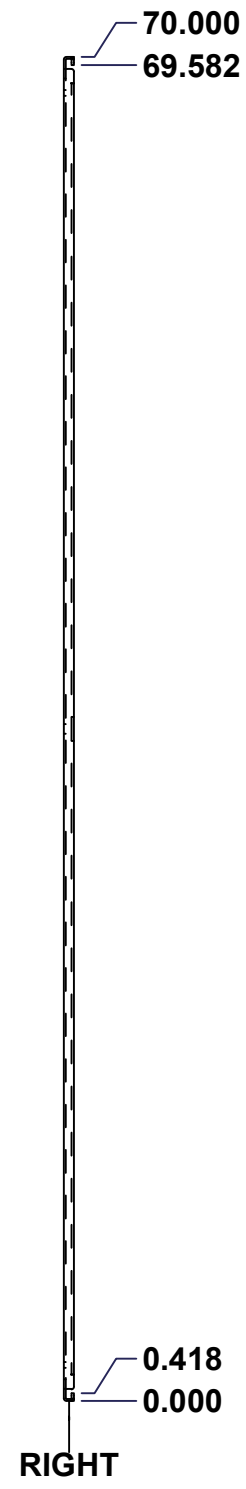
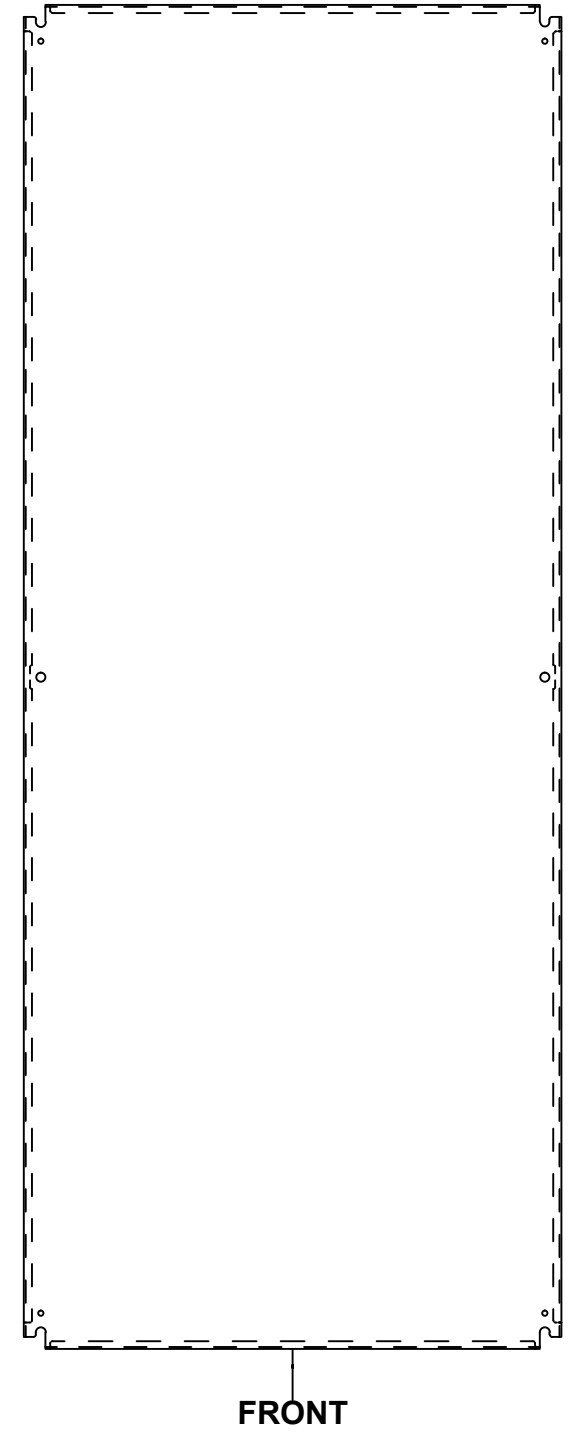
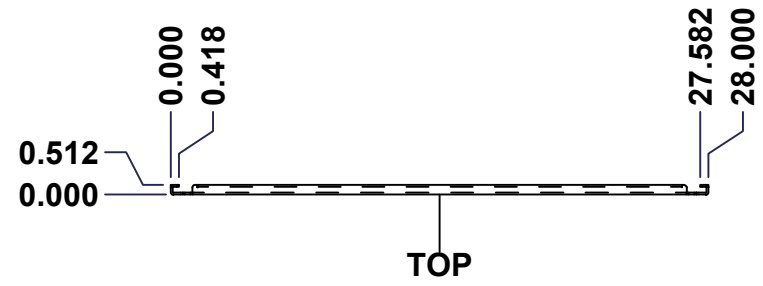
|   |                           |                           |
|---|---------------------------|---------------------------|
| <p>Tél: (450) 979-4373<br/>Fax: (450) 979-4626<br/><a href="http://www.exmweb.com">www.exmweb.com</a></p> |                           | Flatness<br>Aplatissement |
|   |                           | Max 3.0mm                 |
| Projection  |                           |                           |
| Customer<br>Client  | Date                      |                           |
| Drawn By<br>Dessiné Par   | BoxCad: Patrick Deschenes | Date 23-Jan-07            |
| Material<br>Matière Polyisocyanurate  |                           |                           |
| Color<br>Couleur  | Aluminum                  | Finish<br>Fini N/A        |
| Description<br>5412ESSW 72" x 30" Top and Bottom<br>Insulation  |                           | Detail Rev.               |
| Part Number<br>Numéro Pièce   | Rev. 0                    | 15<br>15                  |

SEE BILL OF MATERIAL ON LAST PAGE

**5412ESSW723016THI-BT**

This drawing is confidential and must not be reproduced or used without the consent of EXM

Ce dessin est confidentiel et ne doit pas être reproduit ou utilisé sans le consentement de EXM



| No. | Revisions | Date | By/Par |
|-----|-----------|------|--------|
|     |           |      |        |
|     |           |      |        |
|     |           |      |        |
|     |           |      |        |
|     |           |      |        |

Isometric View

|  |                 |  |
|--|-----------------|--|
| Tél: (450) 979-4373<br>Fax: (450) 979-4626<br>www.exmweb.com |                 | Flatness<br>Aplatissement<br>Max 3.0mm<br>Projection<br> |
| Customer Client  | Date            |  |
| Drawn By<br>Dessiné Par: BoxCad                              | Date: 23-Jan-07 |  |
| Material<br>Matière  | See Part List   |  |
| Color<br>Couleur   | See Part List   | Finish<br>Fini: See Part List                            |
| Description  | Detail Rev.     |  |
| 881 SP - Inner Panel   |                 |  |
| Part Number<br>Numéro Pièce: <b>881 SP7230G</b>              | Rev. <b>0</b>   | 1<br>2   |

| Qty | Part Number   | Rev | Description               | Material         | Color     | Finish     |
|-----|---------------|-----|---------------------------|------------------|-----------|------------|
| 1   | 881 SP7230G-P | 0   | 881 SP - Inner Panel Part | 12 Ga Galvanized | Unpainted | Galvanized |

Parts List



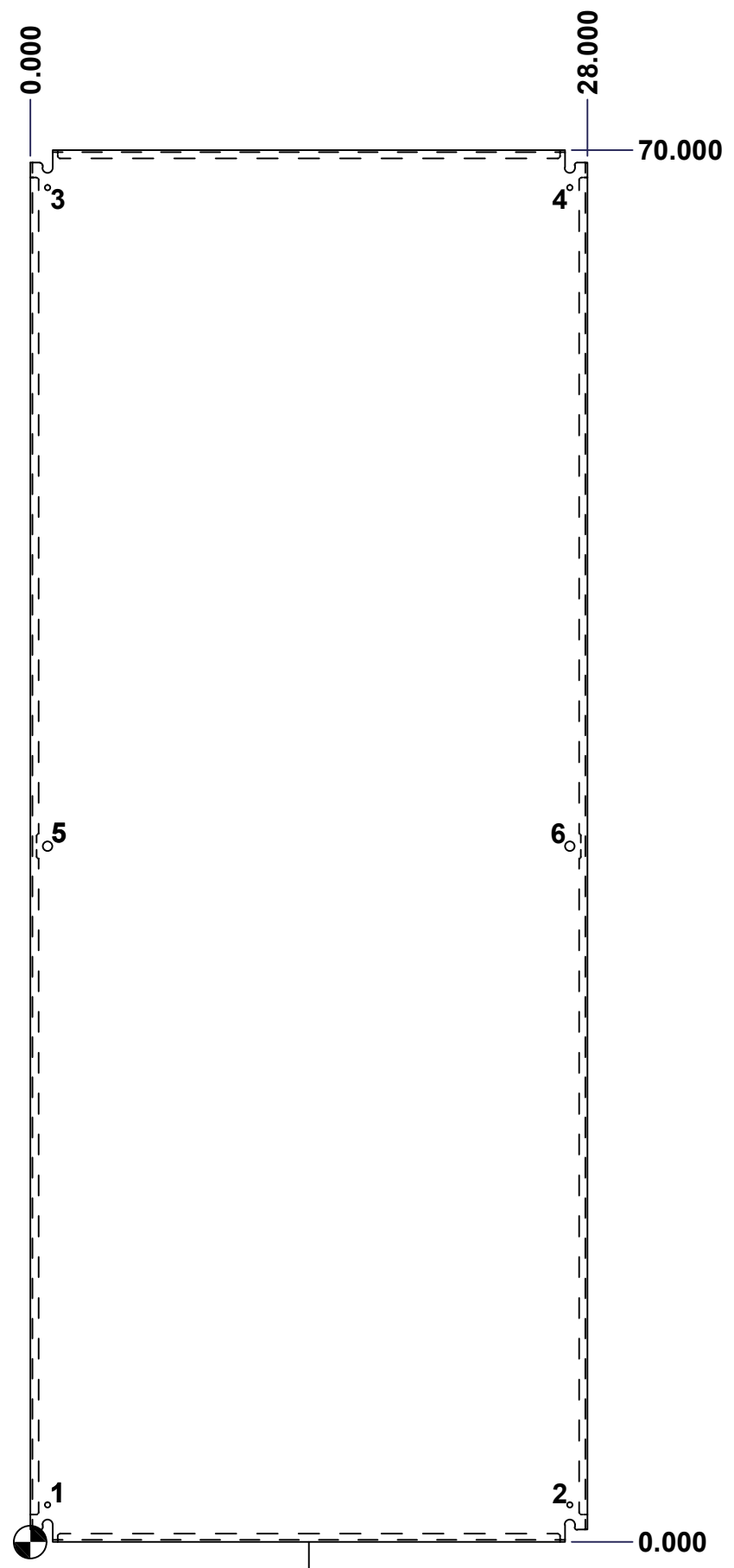
This drawing is confidential and must not be reproduced or used without the consent of EXM

Ce dessin est confidentiel et ne doit pas être reproduit ou utilisé sans le consentement de EXM

| Table 1 |        |        | FRONT VIEW                 |
|---------|--------|--------|----------------------------|
| CUT-OUT | XDIM   | YDIM   | DESCRIPTION                |
| 1       | 0.875  | 1.875  | GROUND HOLE (RND Ø0.290)   |
| 2       | 27.125 | 1.875  | GROUND HOLE (RND Ø0.290)   |
| 3       | 0.875  | 68.125 | GROUND HOLE (RND Ø0.290)   |
| 4       | 27.125 | 68.125 | GROUND HOLE (RND Ø0.290)   |
| 5       | 0.875  | 35.000 | MTG STUD HOLE (RND Ø0.500) |
| 6       | 27.125 | 35.000 | MTG STUD HOLE (RND Ø0.500) |

All knockouts are actual size / Les disques défonçables sont grandeur réel

| No. | Revisions | Date | By/Par |
|-----|-----------|------|--------|
|     |           |      |        |
|     |           |      |        |
|     |           |      |        |
|     |           |      |        |
|     |           |      |        |
|     |           |      |        |



FRONT

Isometric View

|   |               |  |
|---|---------------|--|
| <p>Tél: (450) 979-4373<br/>Fax: (450) 979-4626<br/>www.exmweb.com</p> |               | Flatness<br>Aplatissement<br>Max 3.0mm<br>Projection<br> |
| Customer<br>Client  | Date          |  |
| Drawn By<br>Dessiné Par   | BoxCad        | Date 23-Jan-07   |
| Material<br>Matière   | See Part List |  |
| Color<br>Couleur  | See Part List | Finish<br>Fini See Part List                             |
| Description<br>881 SP - Inner Panel                                   |               | Detail Rev.  |
| Part Number<br>Numéro Pièce   | Rev. 0        | 2 / 2  |

**881 SP7230G**