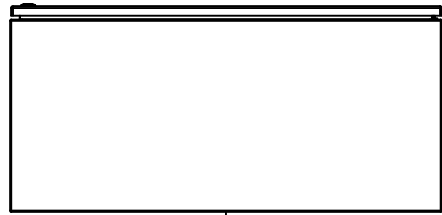
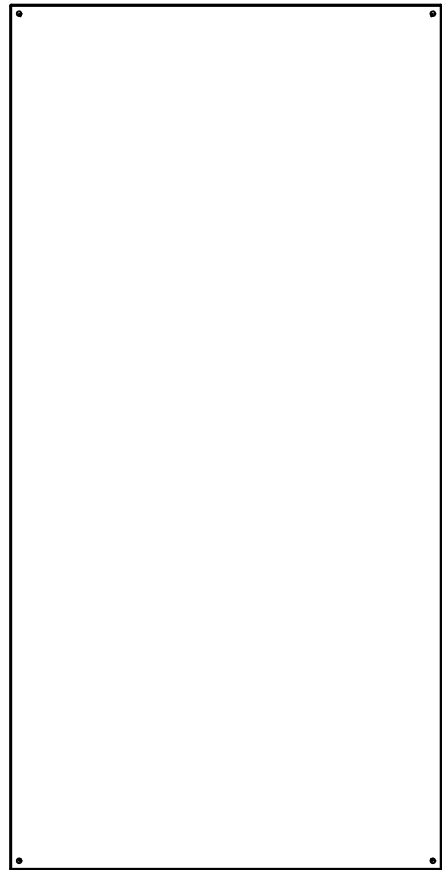


This drawing is confidential and must not be reproduced or used without the consent of EXM

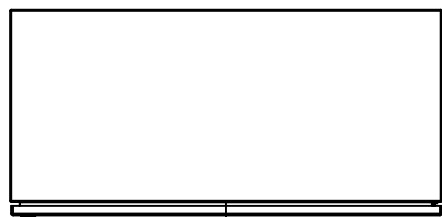
Ce dessin est confidentiel et ne doit pas être reproduit ou utilisé sans le consentement de EXM



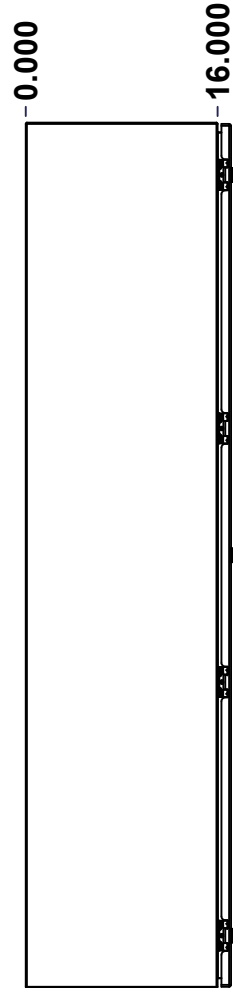
TOP



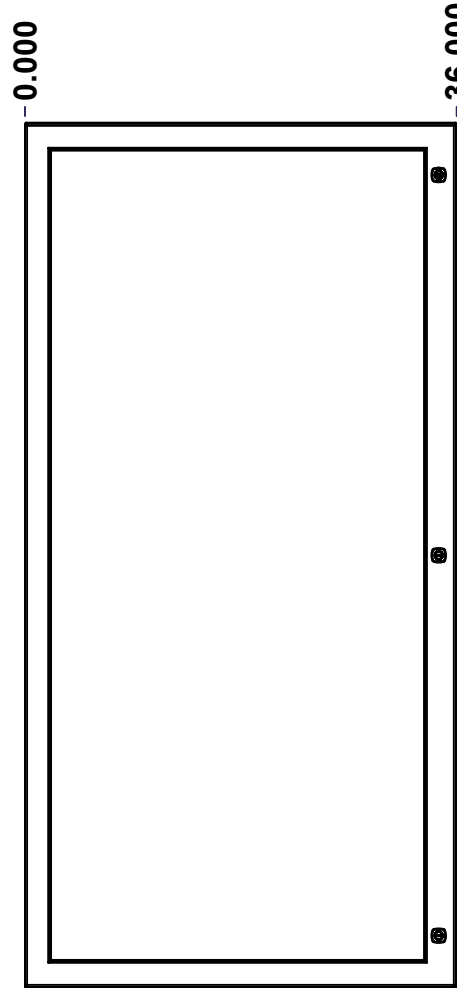
BACK



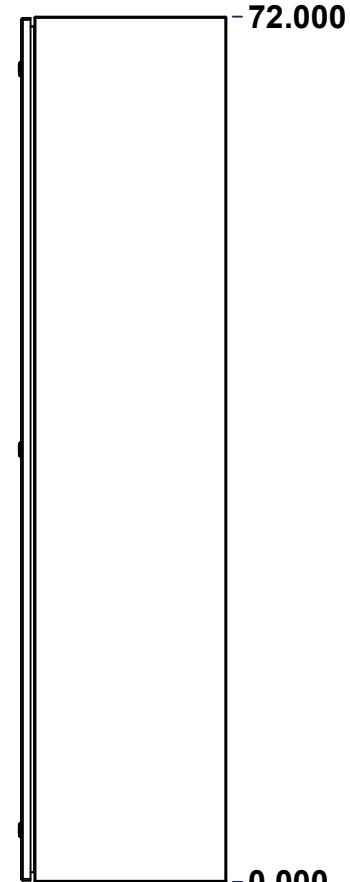
BOTTOM



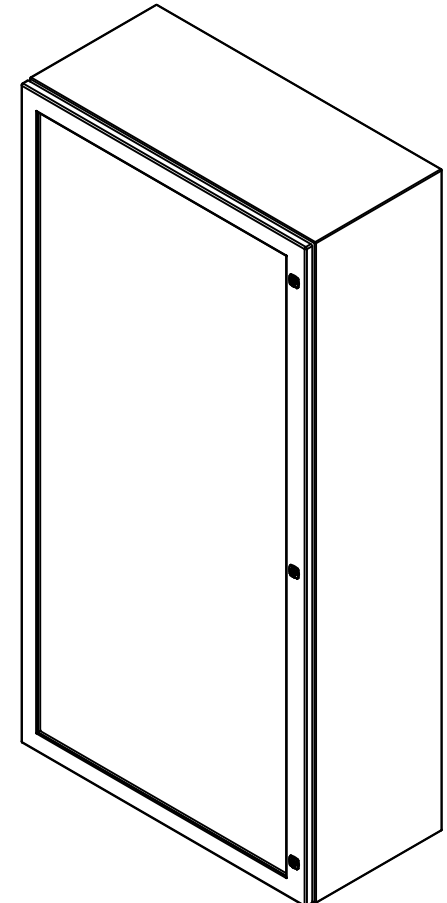
LEFT



FRONT



RIGHT




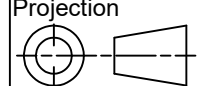
Isometric View



**GRAIN DIRECTION:
TOP/BOTTOM: HORIZONTAL
LEFT/RIGHT/BACK/FRONT: VERTICAL**

SEE BILL OF MATERIAL ON LAST PAGE

| No. | Revisions | Date | By/Par |
|-----|-----------|------|--------|
| | | | |
| | | | |
| | | | |
| | | | |
| | | | |

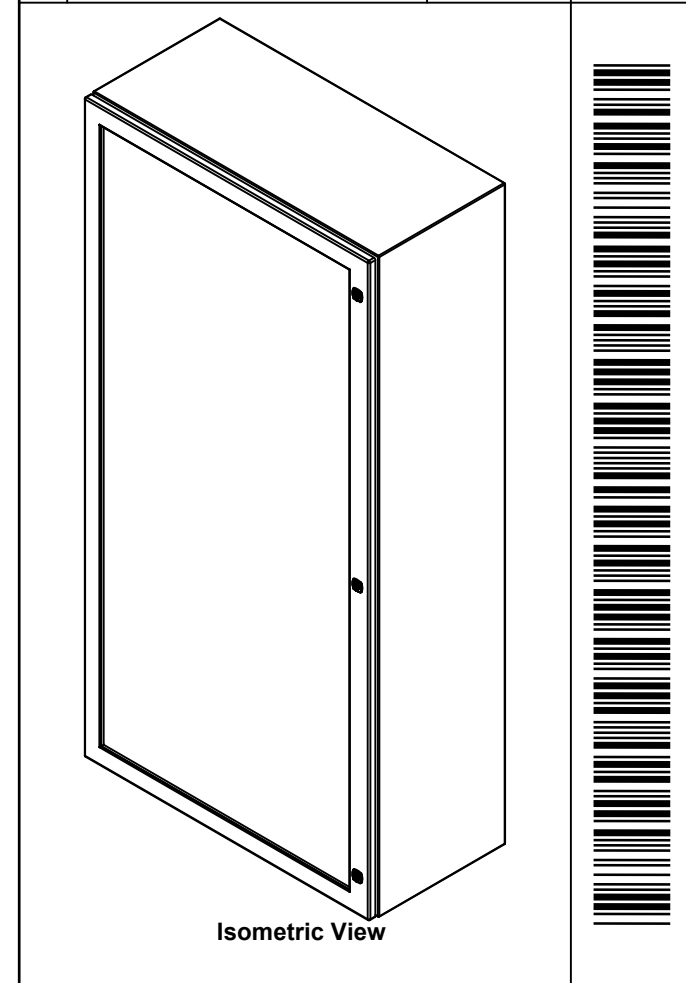
| | | |
|--|-----------------------------------|---|
|  Tél: (450) 979-4373 Fax: (450) 979-4626 www.exmweb.com | | Flatness Aplatissement Max 3.0mm Projection  |
| Customer Client | Date | Date 30-Jul-13 |
| Drawn By Dessiné Par | BoxCad: BoxCad | |
| Material Matière | 14 Ga Stainless Steel 304 (1.7mm) | |
| Color Couleur | Unpainted | Finish Fini Brushed |
| Description | Detail Rev. | |
| 5412ESSW 72" x 36" x 16" Assembly | | |
| Part Number Numéro Pièce | Rev. | 1 2 |
| 5412ESSW723616 | 0 | |

This drawing is confidential and must not be reproduced or used without the consent of EXM

Ce dessin est confidentiel et ne doit pas être reproduit ou utilisé sans le consentement de EXM

| NOTE | |
|------|--|
| ITEM | DESCRIPTION |
| 1 | NEMA 4X Enclosure |
| 2 | C/W Standard ground studs on box and cover |
| 3 | W/O Standard door stiffener |
| 4 | C/W Standard inner panel (Included) |
| 5 | C/W Standard inner panel mounting studs |

| No. | Revisions | Date | By/Par |
|-----|-----------|------|--------|
| | | | |
| | | | |
| | | | |
| | | | |
| | | | |
| | | | |



EXM
www.exm.com

Tél: (450) 979-4373
Fax: (450) 979-4626
www.exmweb.com

Flatness
Aplatissement
Max 3.0mm

Projection

Customer Client
Date

Drawn By
Dessiné Par BoxCad: BoxCad
Date 30-Jul-13

Material
Matière 14 Ga Stainless Steel 304 (1.7mm)

Color
Couleur Unpainted

Finish
Fini Brushed

Description
5412ESSW 72" x 36" x 16" Assembly

Detail Rev.

Part Number
Numéro Pièce
5412ESSW723616

Rev. 0

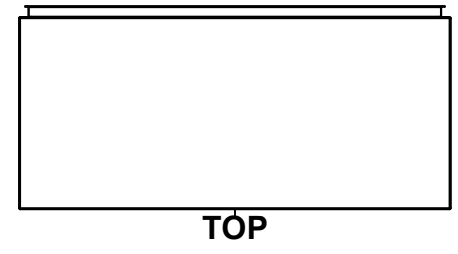
2

| PACKING | | |
|-----------------------|-----|--|
| ITEM | QTY | DESCRIPTION |
| Cardboard sleeve | 2 | Top and Bottom |
| Cardboard strip | 2 | Between back of enclosure and inner panel |
| Plastic bag | 1 | To protect cover surface and inside gasket |
| Cardboard corner | 4 | To reinforced for the plastic strap tightening |
| Plastic strap - Black | 2 | To Squeeze the 2 cardboard sleeve together |
| Packaging label | 3 | White label with PN |
| Plastic strap- Green | 2 | To secure the enclosure to the wood pallet |
| Wood Pallet | 1 | 2" deeper and 3" larger than enclosure size |

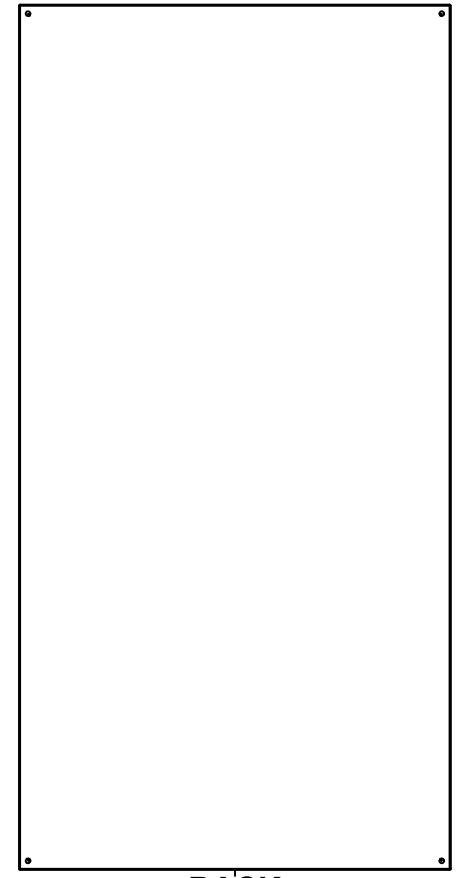
| | | | |
|------------|-----------------|-----|--|
| 1 | 880 PP | 6 | Self Adhesive Print Pocket |
| 1 | STK-K-01800 | 5 | 5412 ES Accessory Kit |
| 1 | 881 SP7236G | 0 | 881 SP - Inner Panel |
| 1 | 5412ESSW723616C | 0 | 5412ESSW 72" x 36" Cover |
| 8 | STK-Q-07310 | 2 | Flange Lock Nut M8 |
| 8 | STK-Q-07610 | 8 | M8 Plastic Spacer 22.2mm |
| 1 | 5412ESSW723616B | 0 | 5412ESSW 72" x 36" x 16" Body |
| 4 | STK-Q-04051-07 | 8 | M6 x 7mm Stainless Steel Hexagon Socket Head Machine Screw with Nyseal |
| Qty | Part Number | Rev | Description |
| Parts List | | | |

This drawing is confidential and must not be reproduced or used without the consent of EXM

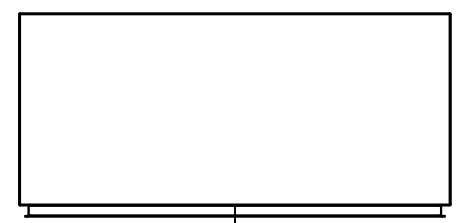
Ce dessin est confidentiel et ne doit pas être reproduit ou utilisé sans le consentement de EXM



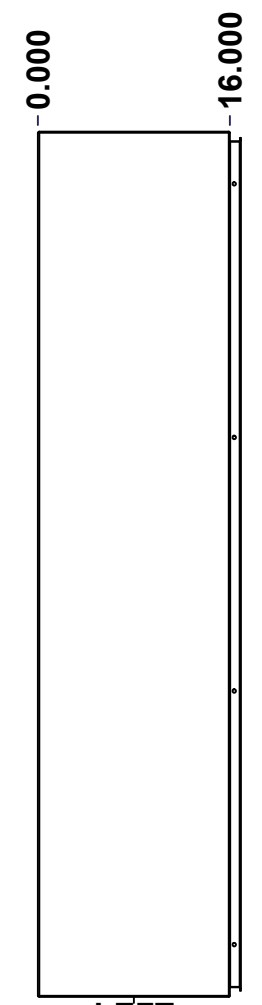
TOP



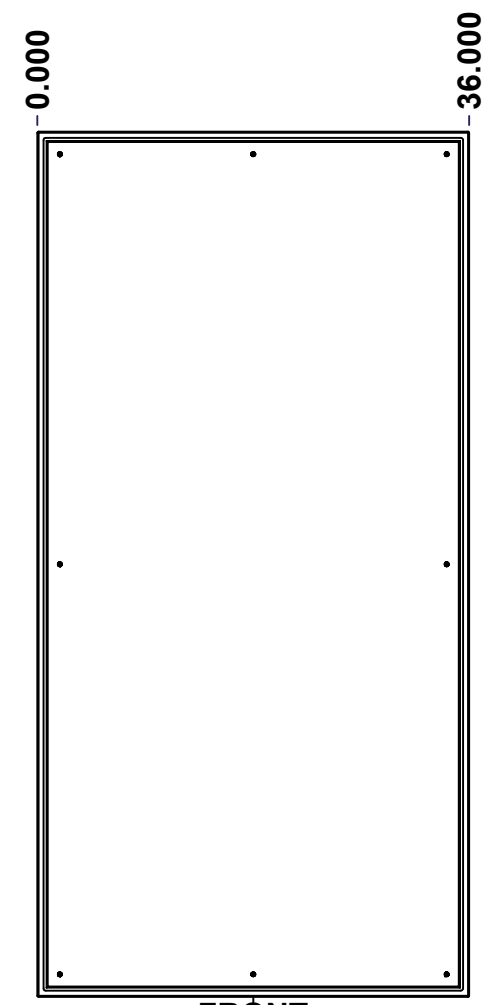
BACK



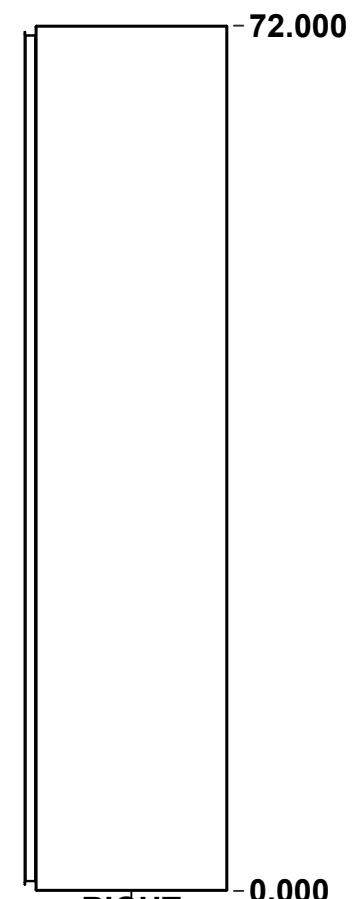
BOTTOM



LEFT

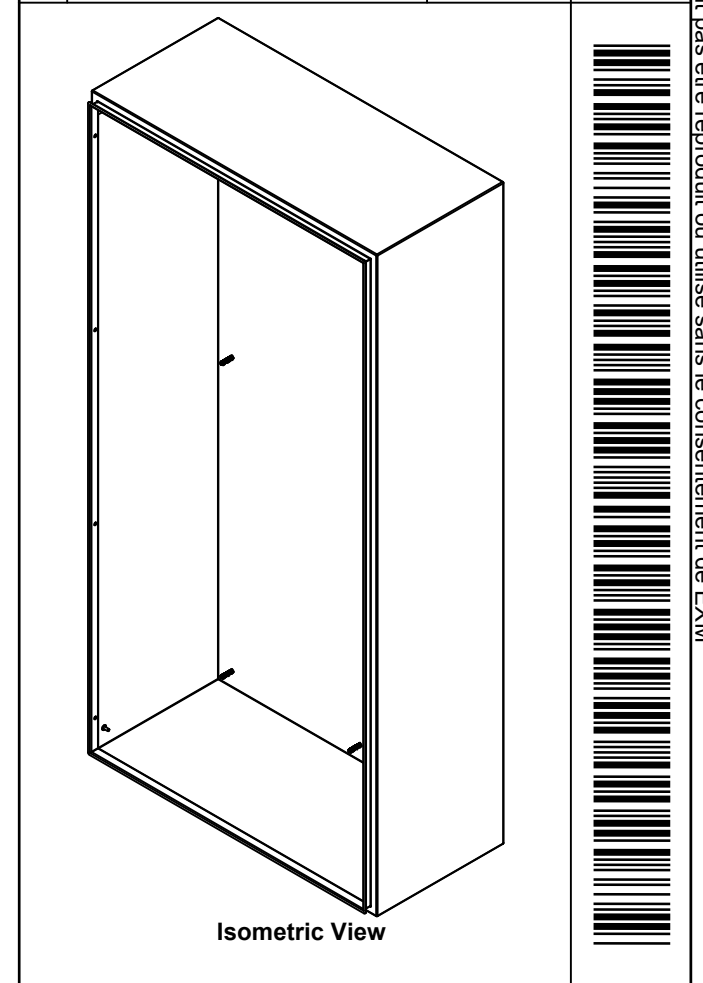


FRONT




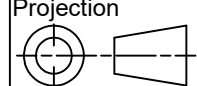
RIGHT

| No. | Revisions | Date | By/Par |
|-----|-----------|------|--------|
| | | | |
| | | | |
| | | | |
| | | | |
| | | | |



Isometric View



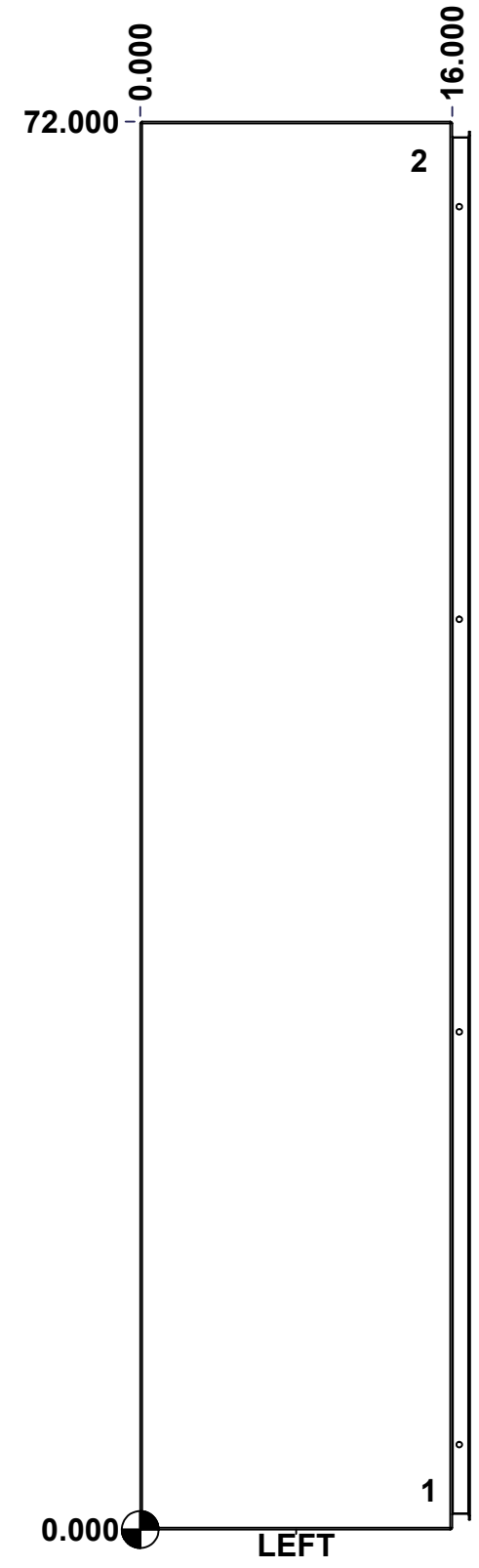
| | | |
|--|-----------------------------------|---|
|  Tél: (450) 979-4373 Fax: (450) 979-4626 www.exmweb.com | | Flatness Aplatissement Max 3.0mm Projection  |
| Customer Client | Date | |
| Drawn By Dessiné Par | BoxCad: BoxCad | Date 30-Jul-13 |
| Material Matière | 14 Ga Stainless Steel 304 (1.7mm) | |
| Color Couleur | Unpainted | Finish Fini Brushed |
| Description | Detail Rev. | |
| 5412ESSW 72" x 36" x 16" Body | | |
| Part Number Numéro Pièce | Rev. | 1 7 |
| 5412ESSW723616B | 0 | |

SEE BILL OF MATERIAL ON LAST PAGE

This drawing is confidential and must not be reproduced or used without the consent of EXM

Ce dessin est confidentiel et ne doit pas être reproduit ou utilisé sans le consentement de EXM

| STANDARD FEATURES ARE NOT LISTED IN THIS HOLE TABLE | | | |
|---|--------|--------|-----------------------------|
| HOLE TABLE - LEFT VIEW (CUSTOM FEATURE ONLY) | | | |
| CUT-OUT | XDIM | YDIM | DESCRIPTION |
| 1 | 14.500 | 2.000 | GND STUD M6 x 16mm (Inside) |
| 2 | 14.000 | 70.000 | LABEL_EXM (Inside) |



| | | | | |
|--|-------------------------------|--|----------|-----|
| | Description | | Status | |
| | 5412ESSW 72" x 36" x 16" Body | | | |
| | Part Number Numéro Pièce | | Rev. | |
| | 5412ESSW723616B | | 0 | 5/7 |

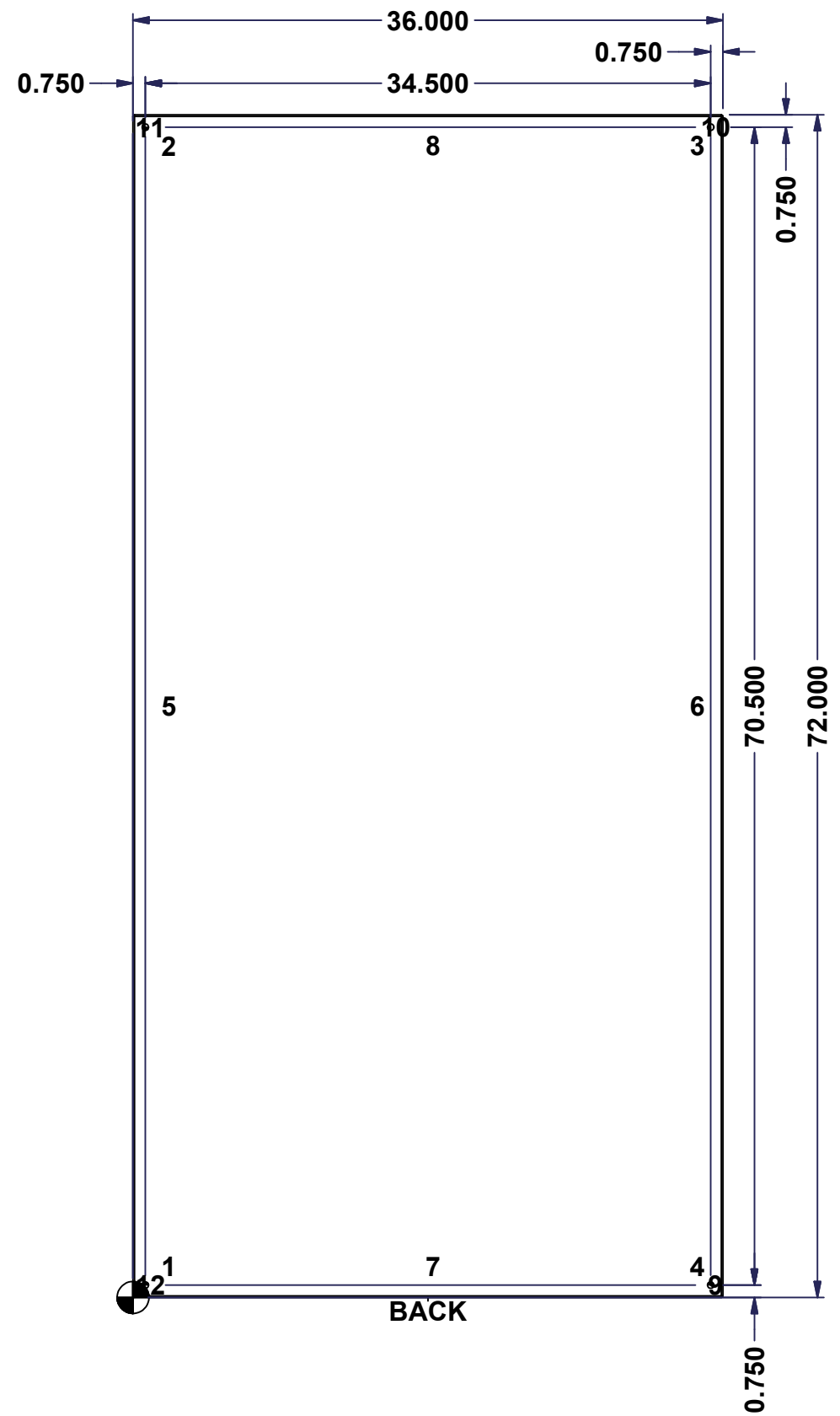
This drawing is confidential and must not be reproduced or used without the consent of EXM

Ce dessin est confidentiel et ne doit pas être reproduit ou utilisé sans le consentement de EXM

STANDARD FEATURES ARE NOT LISTED IN THIS HOLE TABLE

HOLE TABLE - BACK VIEW (CUSTOM FEATURE ONLY)

| CUT-OUT | XDIM | YDIM | DESCRIPTION |
|---------|--------|--------|----------------------------|
| 1 | 1.875 | 1.875 | IP STUD M8 x 35mm (Inside) |
| 2 | 1.875 | 70.125 | IP STUD M8 x 35mm (Inside) |
| 3 | 34.125 | 70.125 | IP STUD M8 x 35mm (Inside) |
| 4 | 34.125 | 1.875 | IP STUD M8 x 35mm (Inside) |
| 5 | 1.875 | 36.000 | IP STUD M8 x 35mm (Inside) |
| 6 | 34.125 | 36.000 | IP STUD M8 x 35mm (Inside) |
| 7 | 18.000 | 1.875 | IP STUD M8 x 35mm (Inside) |
| 8 | 18.000 | 70.125 | IP STUD M8 x 35mm (Inside) |
| ----- | | | |
| 9 | 35.250 | 0.750 | RND Ø0.390 |
| 10 | 35.250 | 71.250 | RND Ø0.390 |
| 11 | 0.750 | 71.250 | RND Ø0.390 |
| 12 | 0.750 | 0.750 | RND Ø0.390 |



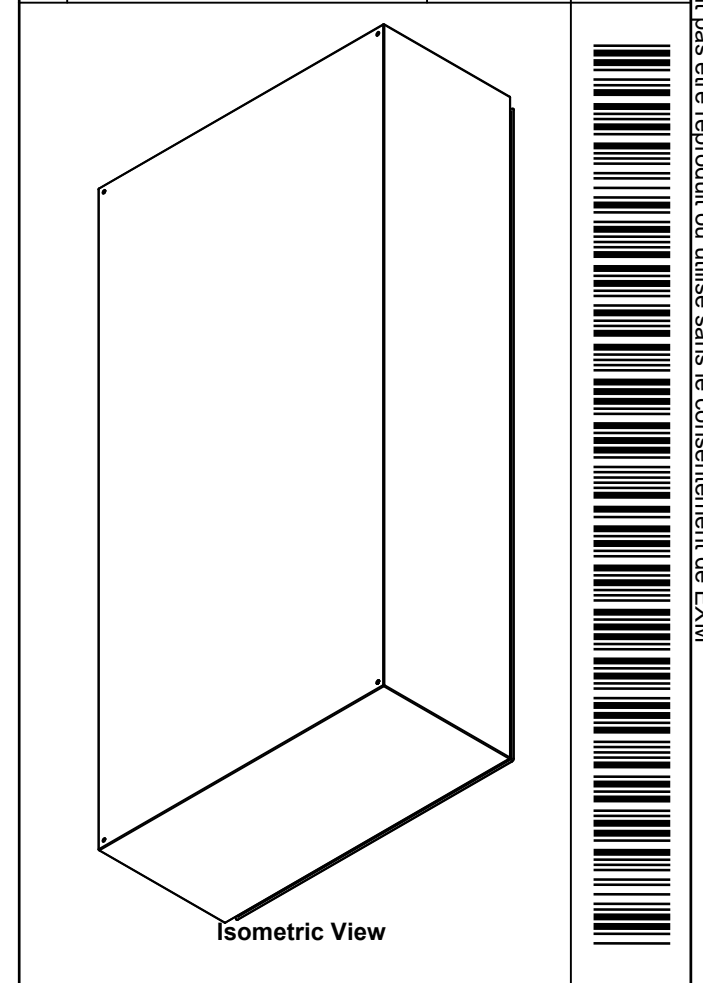
BACK



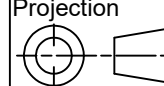
| | | | | |
|-----------------------------|-------------------------------|----------|--------|--|
| | Description | | Status | |
| | 5412ESSW 72" x 36" x 16" Body | | | |
| Part Number Numéro Pièce | | Rev. | 6 | |
| 5412ESSW723616B | | 0 | 7 | |

This drawing is confidential and must not be reproduced or used without the consent of EXM

Ce dessin est confidentiel et ne doit pas être reproduit ou utilisé sans le consentement de EXM

| No. | Revisions | Date | By/Par |
|-----|-----------|------|--------|
| | | | |
| | | | |
| | | | |
| | | | |
| | | | |

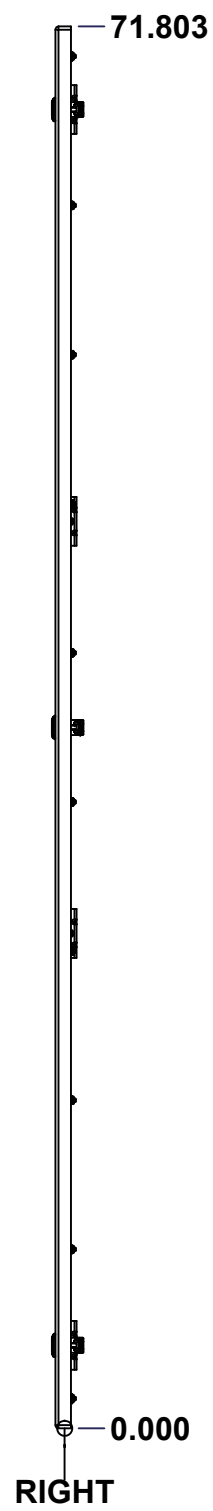
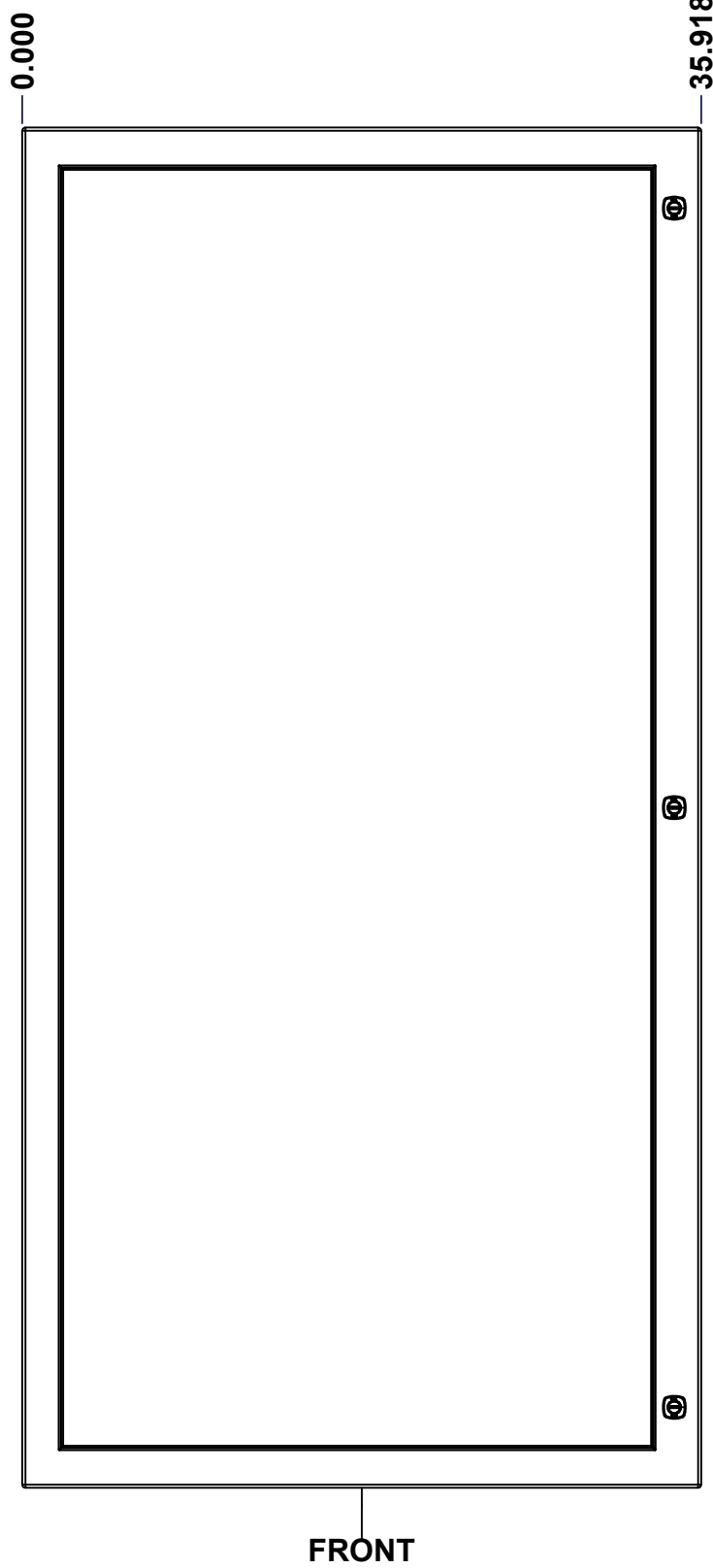
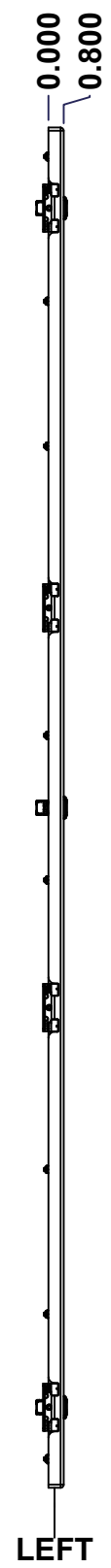
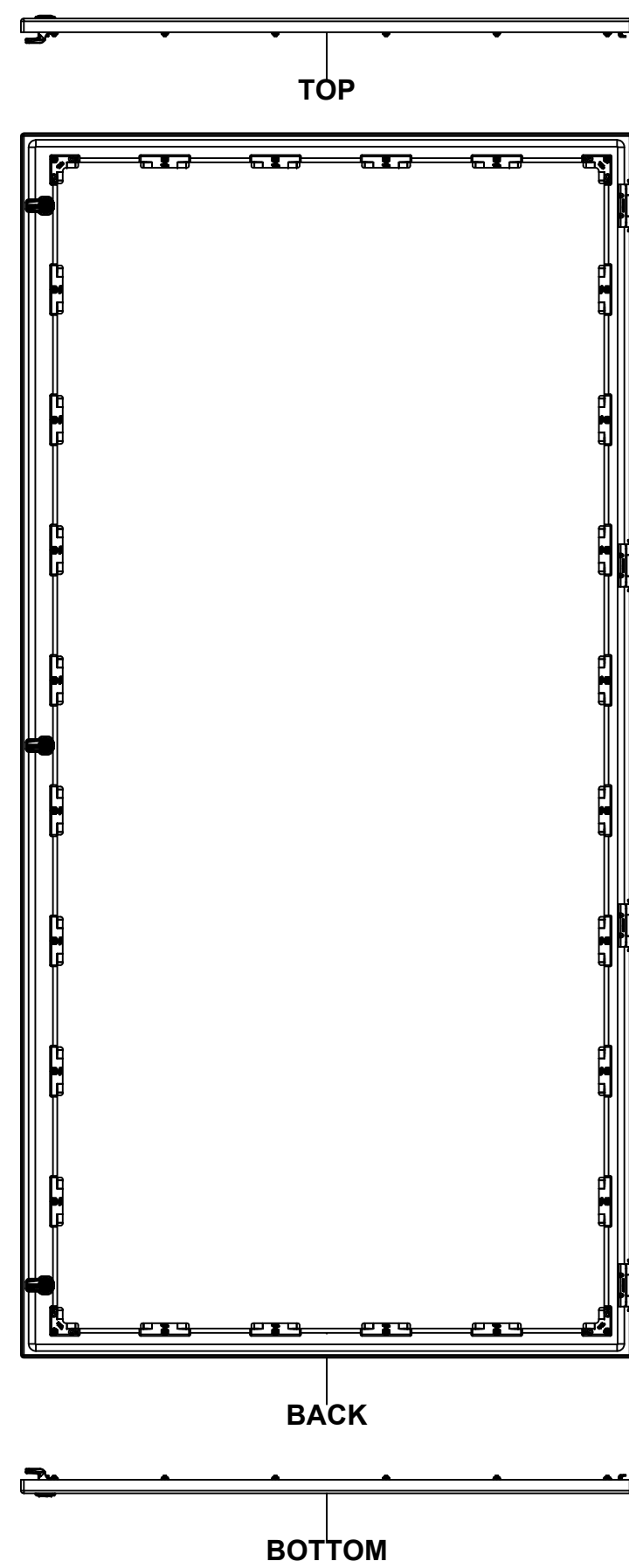


| | | |
|--|-----------------------------------|--|
|  Tél: (450) 979-4373 Fax: (450) 979-4626 www.exmweb.com | | Flatness Aplatissement  Max 3.0mm Projection  |
| Customer Client | Date | |
| Drawn By Dessiné Par | BoxCad: BoxCad | Date 30-Jul-13 |
| Material Matière | 14 Ga Stainless Steel 304 (1.7mm) | |
| Color Couleur | Unpainted | Finish Fini Brushed |
| Description | | Detail Rev. |
| 5412ESSW 72" x 36" x 16" Body | | |
| Part Number Numéro Pièce | Rev. | 7 |
| 5412ESSW723616B | 0 | 7 |

| Qty | Part Number | Rev | Description |
|------------|-------------------|-----|--|
| 1 | STK-S-00100 | 0 | 3.5" x 2" Silver Milar Flexcon Sticker |
| 1 | STK-Q-16085 | 0 | Ground Stud M6 x 16mm Stainless Steel |
| 8 | STK-Q-16020 | 1 | Stud M8 x 35mm Stainless Steel |
| 1 | 5412ESSW723616B-P | 0 | 5412ESSW 72" x 36" x 16" Body Part |
| Parts List | | | |

This drawing is confidential and must not be reproduced or used without the consent of EXM

Ce dessin est confidentiel et ne doit pas être reproduit ou utilisé sans le consentement de EXM



| No. | Revisions | Date | By/Par |
|-----|-----------|------|--------|
| | | | |
| | | | |
| | | | |
| | | | |
| | | | |

Isometric View

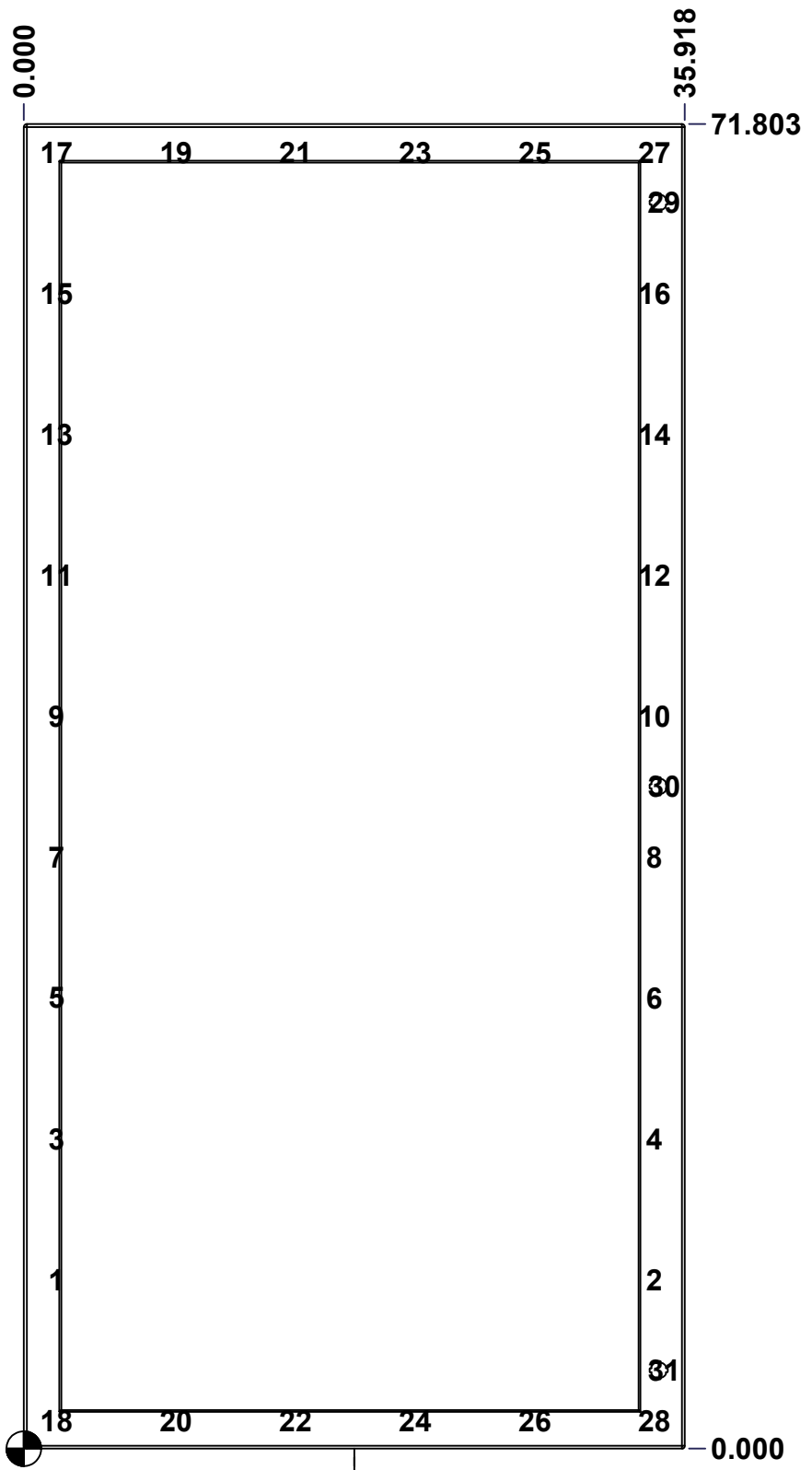
| | | | |
|---|--|--|-------------|
| | | Flatness Aplatissement Max 3.0mm Projection | |
| Customer Client | | Date | |
| Drawn By Dessiné Par BoxCad: BoxCad | | Date 30-Jul-13 | |
| Material Matière 14 Ga Stainless Steel 304 (1.7mm) | | Color Couleur Unpainted | |
| | | Finish Fini Brushed | |
| Description 5412ESSW 72" x 36" Cover | | | Detail Rev. |
| Part Number Numéro Pièce 5412ESSW723616C | | Rev. 0 | 1 3 |

SEE BILL OF MATERIAL ON LAST PAGE

This drawing is confidential and must not be reproduced or used without the consent of EXM

Ce dessin est confidentiel et ne doit pas être reproduit ou utilisé sans le consentement de EXM

| STANDARD FEATURES ARE NOT LISTED IN THIS HOLE TABLE | | | |
|---|--------|--------|----------------------------|
| HOLE TABLE - FRONT VIEW (CUSTOM FEATURE ONLY) | | | |
| CUT-OUT | XDIM | YDIM | DESCRIPTION |
| 1 | 1.469 | 9.166 | STUD M6 x 18mm (Inside) |
| 2 | 33.968 | 9.166 | STUD M6 x 18mm (Inside) |
| 3 | 1.469 | 16.805 | STUD M6 x 18mm (Inside) |
| 4 | 33.968 | 16.805 | STUD M6 x 18mm (Inside) |
| 5 | 1.469 | 24.443 | STUD M6 x 18mm (Inside) |
| 6 | 33.968 | 24.443 | STUD M6 x 18mm (Inside) |
| 7 | 1.469 | 32.082 | STUD M6 x 18mm (Inside) |
| 8 | 33.968 | 32.082 | STUD M6 x 18mm (Inside) |
| 9 | 1.469 | 39.721 | STUD M6 x 18mm (Inside) |
| 10 | 33.968 | 39.721 | STUD M6 x 18mm (Inside) |
| 11 | 1.469 | 47.360 | STUD M6 x 18mm (Inside) |
| 12 | 33.968 | 47.360 | STUD M6 x 18mm (Inside) |
| 13 | 1.469 | 54.998 | STUD M6 x 18mm (Inside) |
| 14 | 33.968 | 54.998 | STUD M6 x 18mm (Inside) |
| 15 | 1.469 | 62.637 | STUD M6 x 18mm (Inside) |
| 16 | 33.968 | 62.637 | STUD M6 x 18mm (Inside) |
| 17 | 1.469 | 70.276 | STUD M6 x 18mm (Inside) |
| 18 | 1.469 | 1.527 | STUD M6 x 18mm (Inside) |
| 19 | 7.969 | 70.276 | STUD M6 x 18mm (Inside) |
| 20 | 7.969 | 1.527 | STUD M6 x 18mm (Inside) |
| 21 | 14.469 | 70.276 | STUD M6 x 18mm (Inside) |
| 22 | 14.469 | 1.527 | STUD M6 x 18mm (Inside) |
| 23 | 20.968 | 70.276 | STUD M6 x 18mm (Inside) |
| 24 | 20.968 | 1.527 | STUD M6 x 18mm (Inside) |
| 25 | 27.468 | 70.276 | STUD M6 x 18mm (Inside) |
| 26 | 27.468 | 1.527 | STUD M6 x 18mm (Inside) |
| 27 | 33.968 | 70.276 | STUD M6 x 18mm (Inside) |
| 28 | 33.968 | 1.527 | STUD M6 x 18mm (Inside) |
| ----- | | | |
| 29 | 34.494 | 67.553 | LOCK 880 SCQ4-SLSS6 @ 0.0° |
| 30 | 34.494 | 35.902 | LOCK 880 SCQ4-SLSS6 @ 0.0° |
| 31 | 34.494 | 4.250 | LOCK 880 SCQ4-SLSS6 @ 0.0° |

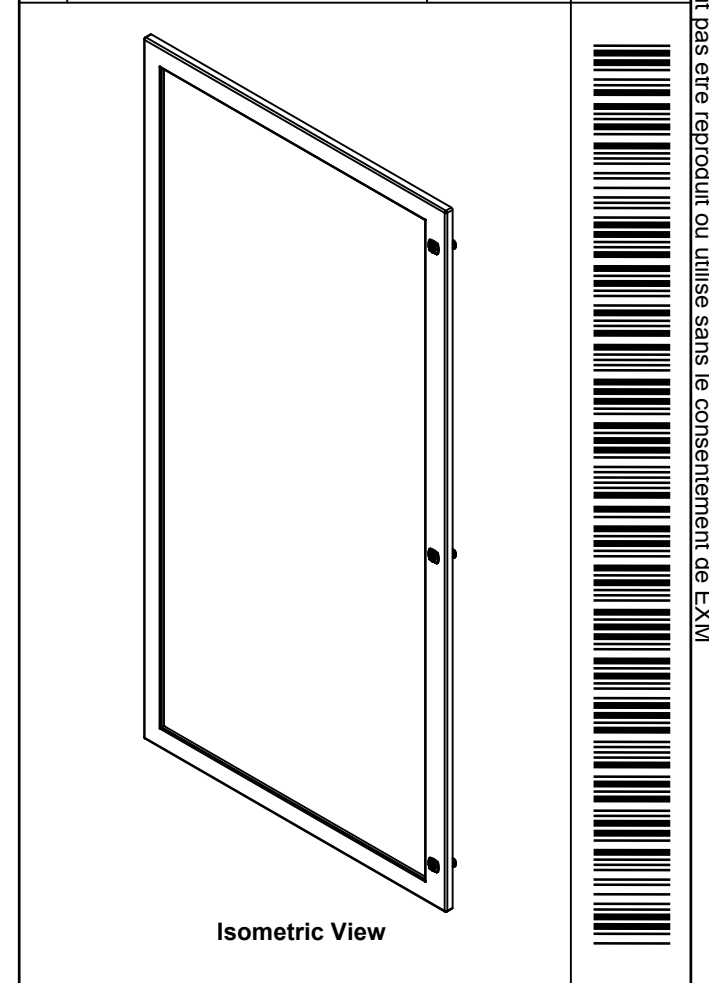



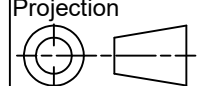
| | | | |
|--|-----------------------------|----------|--------|
| | Description | Status | |
| | 5412ESSW 72" x 36" Cover | (NULL) | |
| | Part Number Numéro Pièce | Rev. | |
| | 5412ESSW723616C | 0 | 2 3 |

This drawing is confidential and must not be reproduced or used without the consent of EXM

Ce dessin est confidentiel et ne doit pas être reproduit ou utilisé sans le consentement de EXM

| No. | Revisions | Date | By/Par |
|-----|-----------|------|--------|
| | | | |
| | | | |
| | | | |
| | | | |
| | | | |

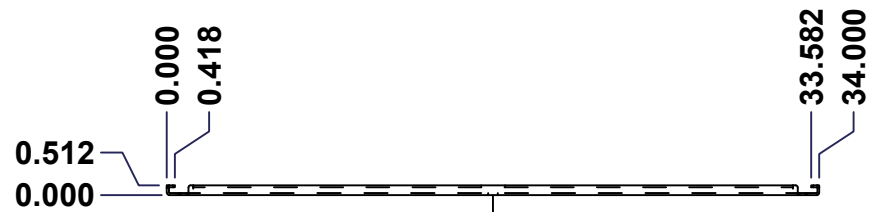


| | | |
|--|------------------------|---|
|  Tél: (450) 979-4373 Fax: (450) 979-4626 www.exmweb.com | | Flatness Aplatissement Max 3.0mm Projection  |
| Customer Client | | Date |
| Drawn By Dessiné Par BoxCad: BoxCad | | Date 30-Jul-13 |
| Material Matière 14 Ga Stainless Steel 304 (1.7mm) | | |
| Color Couleur Unpainted | Finish Fini Brushed | |
| Description 5412ESSW 72" x 36" Cover | | Detail Rev. |
| Part Number Numéro Pièce 5412ESSW723616C | | Rev. 3 0 |

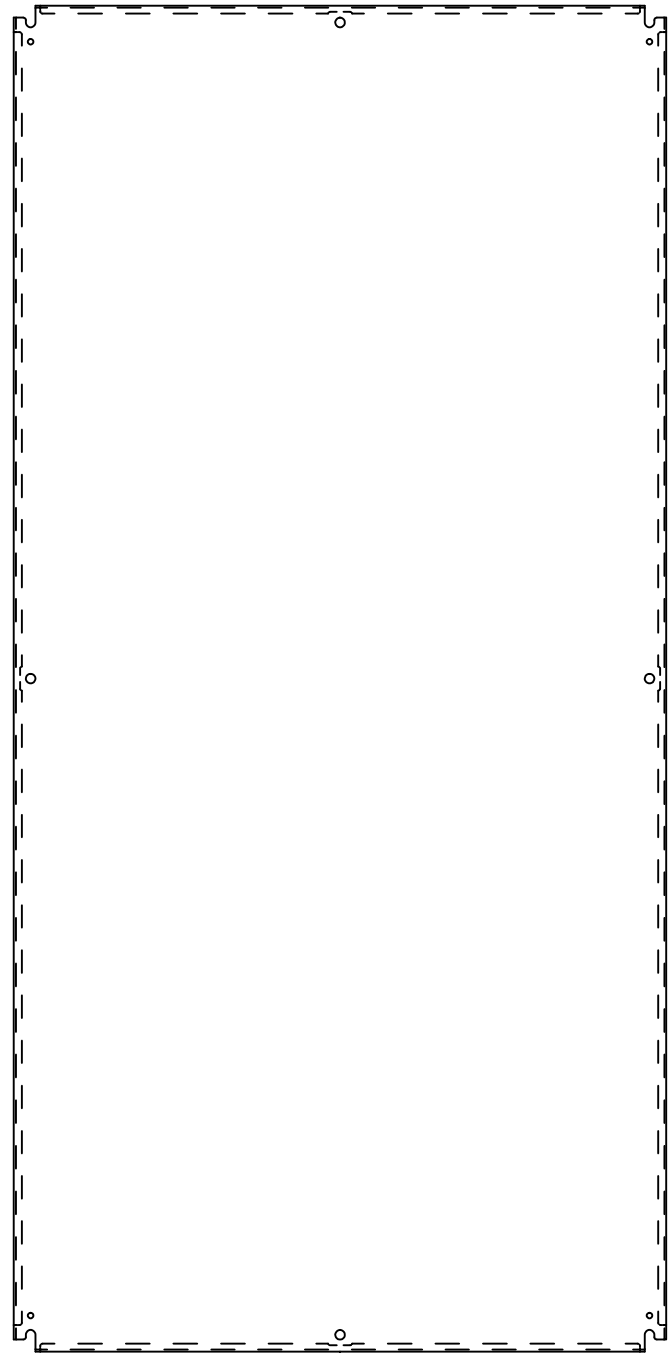
| | | | |
|------------|-------------------|-----|---------------------------------------|
| 24 | STK-Q-60701 | 2.1 | 880 WK - Lexan 1/4" Fixing Bracket |
| 1 | STK-A-60703 | 0 | 5412 ESW Lexan Bracket Kit |
| 28 | STK-Q-16053 | 1 | Stud M6 x 23mm Stainless steel |
| 1 | STK-G-02705 | 0 | 880 HWKG - Windows Kit Gasket |
| 1 | 5412ESSW723616LXG | 0 | 5412ESSW 72" x 36" Lexan Gasket Part |
| 1 | 5412ESSW723616LX | 0 | 5412ESSW 68.375" x 32.125" Lexan Part |
| 1 | 5412ESSW723616G | 0 | 5412ESSW 72" x 36" Cover Gasket Part |
| 1 | 5412ESSW723616C-P | 0 | 5412ESSW 72" x 36" Cover Part |
| 4 | STK-A-33016 | 0 | 5412 ESS Bended Hinge (Body Part) |
| 3 | 880 SCQ4-SLSS6 | 7 | 5412 ESS 1/4 Turn Lock |
| Qty | Part Name | Rev | Description |
| Parts List | | | |

This drawing is confidential and must not be reproduced or used without the consent of EXM

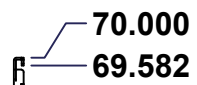
Ce dessin est confidentiel et ne doit pas être reproduit ou utilisé sans le consentement de EXM



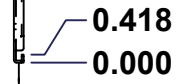
TOP



FRONT



RIGHT



| No. | Revisions | Date | By/Par |
|-----|-----------|------|--------|
| | | | |
| | | | |
| | | | |
| | | | |
| | | | |

Isometric View

| | | |
|--|-------------------------------|---------------------------|
| Tél: (450) 979-4373 Fax: (450) 979-4626 www.exmweb.com | | Flatness Aplatissement |
| | | Max 3.0mm |
| Customer Client | | Date |
| Drawn By Dessiné Par: BoxCad | | Date: 1/23/2007 |
| Material Matière: See Part List | | |
| Color Couleur: See Part List | Finish Fini: See Part List | |
| Description: 881 SP - Inner Panel | | Detail Rev. |
| Part Number Numéro Pièce: 881 SP7236G | | Rev. 1 0 |

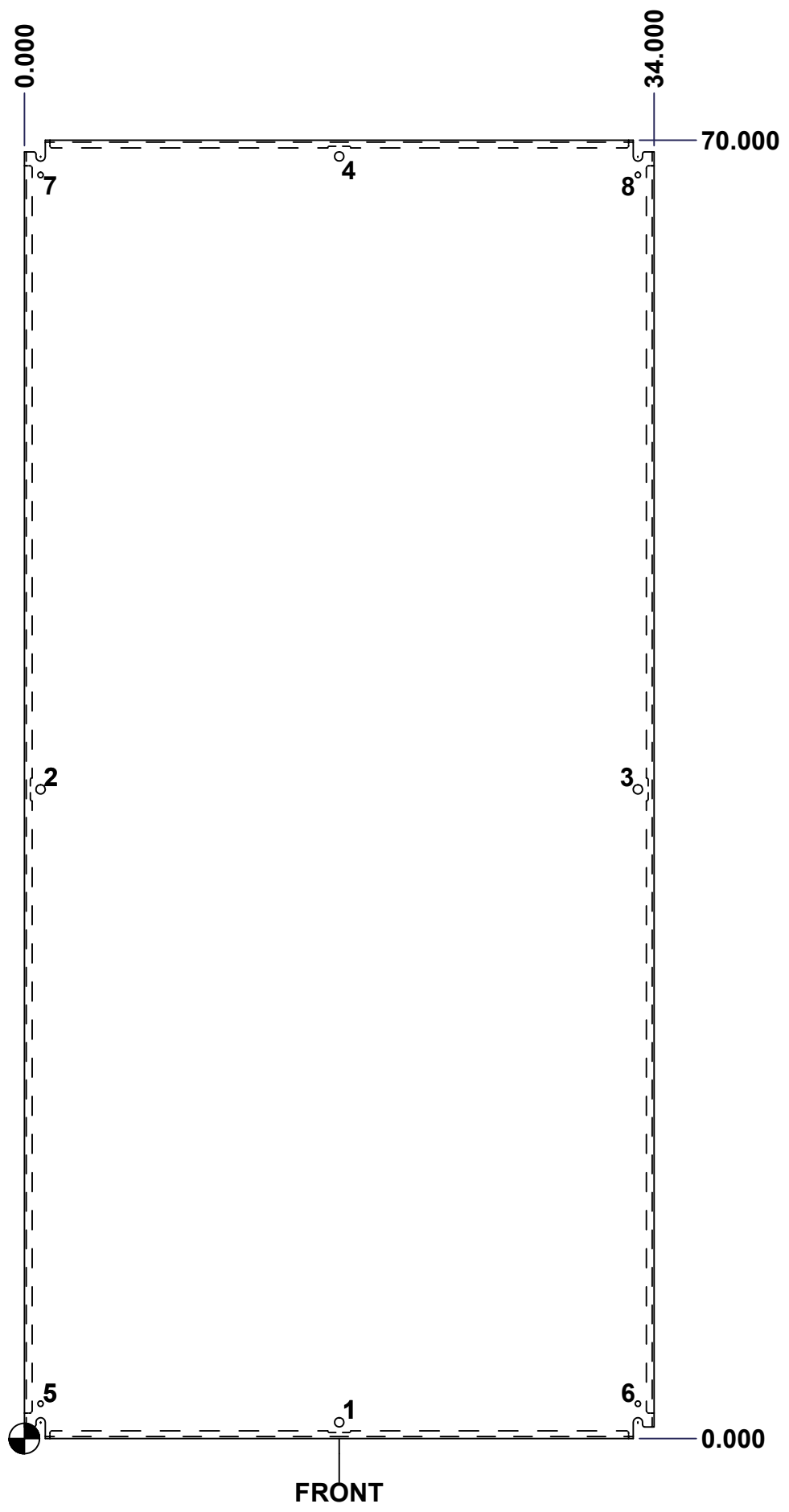
| Qty | Part Number | Rev | Description | Material | Color | Finish |
|-----|---------------|-----|---------------------------|------------------|-----------|------------|
| 1 | 881 SP7236G-P | 0 | 881 SP - Inner Panel Part | 12 Ga Galvanized | Unpainted | Galvanized |

Parts List

This drawing is confidential and must not be reproduced or used without the consent of EXM

Ce dessin est confidentiel et ne doit pas être reproduit ou utilisé sans le consentement de EXM

| Table 1 | | | FRONT VIEW |
|---------|--------|--------|----------------------------|
| CUT-OUT | XDIM | YDIM | DESCRIPTION |
| 1 | 17.000 | 0.875 | MTG STUD HOLE (RND Ø0.500) |
| 2 | 0.875 | 35.000 | MTG STUD HOLE (RND Ø0.500) |
| 3 | 33.125 | 35.000 | MTG STUD HOLE (RND Ø0.500) |
| 4 | 17.000 | 69.125 | MTG STUD HOLE (RND Ø0.500) |
| 5 | 0.875 | 1.875 | GROUND HOLE (RND Ø0.290) |
| 6 | 33.125 | 1.875 | GROUND HOLE (RND Ø0.290) |
| 7 | 0.875 | 68.125 | GROUND HOLE (RND Ø0.290) |
| 8 | 33.125 | 68.125 | GROUND HOLE (RND Ø0.290) |



All knockouts are actual size / Les disques défonçables sont grandeur réel

| No. | Revisions | Date | By/Par |
|-----|-----------|------|--------|
| | | | |
| | | | |
| | | | |
| | | | |
| | | | |

Isometric View

| | | | | |
|-----------------------------|--|--|--|--|
| | | Tél: (450) 979-4373 Fax: (450) 979-4626 www.exmweb.com | | Flatness Aplatissement Max 3.0mm |
| Customer Client | | Date | | Projection |
| Drawn By Dessiné Par | | BoxCad | | Date 1/23/2007 |
| Material Matière | | See Part List | | |
| Color Couleur | | See Part List | | Finish Fini |
| Description | | Detail Rev. | | |
| 881 SP - Inner Panel | | Rev. 2 | | |
| Part Number Numéro Pièce | | 881 SP7236G | | Rev. 0 |