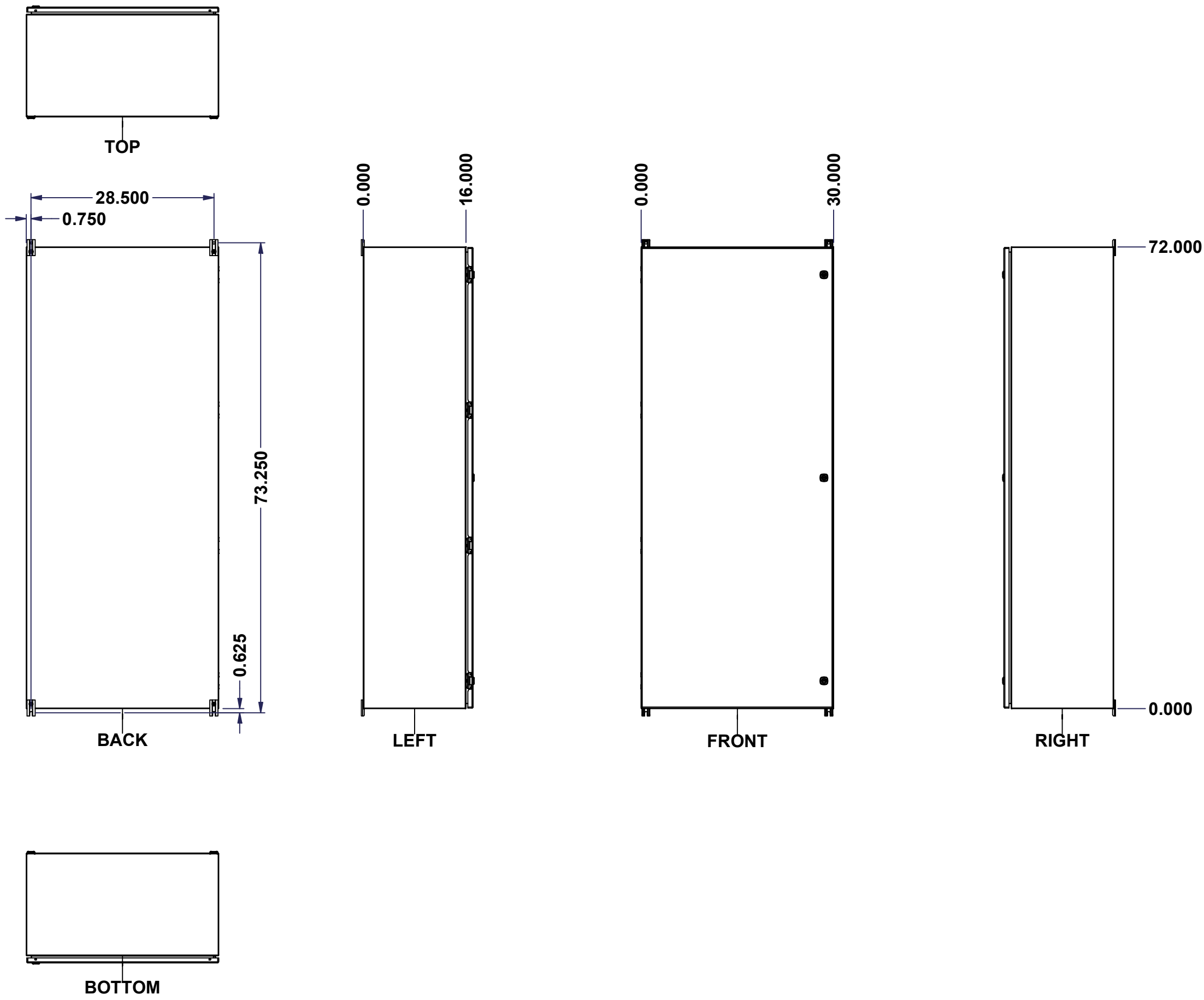
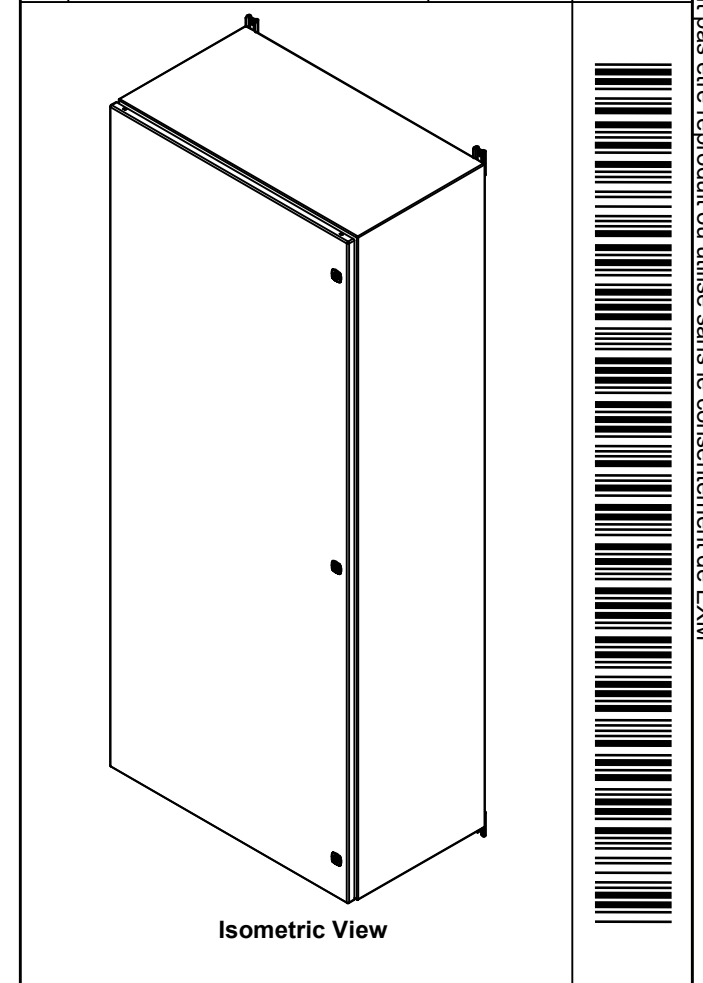


This drawing is confidential and must not be reproduced or used without the consent of EXM

Ce dessin est confidentiel et ne doit pas être reproduit ou utilisé sans le consentement de EXM



| No. | Revisions | Date | By/Par |
|-----|-----------|------|--------|
|     |           |      |        |
|     |           |      |        |
|     |           |      |        |
|     |           |      |        |
|     |           |      |        |



|  |   |  |
|--|---|--|
| Tél: (450) 979-4373<br>Fax: (450) 979-4626<br><a href="http://www.exmweb.com">www.exmweb.com</a> |   | Flatness<br>Aplatissement<br>Max 3.0mm<br>Projection<br> |
| Customer Client  | Date                                      |  |
| Drawn By<br>Dessiné Par  | BoxCad: BoxCad                            | Date 24-Mar-14   |
| Material<br>Matière  | 14 Ga Cold Rolled A1008 CS Type B (1.7mm) |  |
| Color<br>Couleur   | Asa-61 Grey                               | Finish<br>Fini Smooth                                    |
| Description  | Detail Rev.                               |  |
| 5412ESTH 72" x 30" x 16" Assembly  |   |  |
| Part Number<br>Numéro Pièce  | Rev.                                      | 1  |
| 5412ESTH723016   | 0   | 16   |

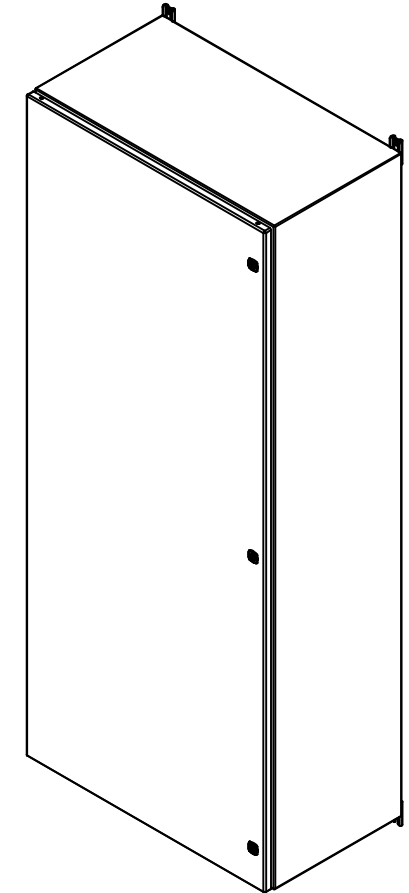
SEE BILL OF MATERIAL ON LAST PAGE

This drawing is confidential and must not be reproduced or used without the consent of EXM

Ce dessin est confidentiel et ne doit pas être reproduit ou utilisé sans le consentement de EXM

| NOTE |   |
|------|---|
| ITEM | DESCRIPTION                                     |
| 1    | NEMA 4/12 Enclosure                             |
| 2    | C/W Standard ground studs on box and cover      |
| 3    | C/W Standard door stiffener                     |
| 4    | C/W Standard inner panel (Included)             |
| 5    | C/W Standard inner panel mounting studs         |
| 6    | C/W 885 ESMF3_OPEN Sold separately (Installed)  |
| 7    | C/W 885 ESMF3_CLOSE Sold separately (Installed) |
| 8    | C/W R5 Insulation (Installed by EXM)            |

| No. | Revisions | Date | By/Par |
|-----|-----------|------|--------|
|     |           |      |        |
|     |           |      |        |
|     |           |      |        |
|     |           |      |        |
|     |           |      |        |
|     |           |      |        |


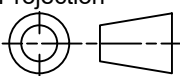


Isometric View



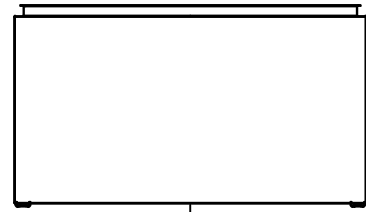
| PACKING               |     |  |
|-----------------------|-----|--|
| ITEM                  | QTY | DESCRIPTION                                    |
| Cardboard sleeve      | 2   | Top and Bottom                                 |
| Cardboard strip       | 2   | Between back of enclosure and inner panel      |
| Plastic bag           | 1   | To protect cover surface and inside gasket     |
| Cardboard corner      | 4   | To reinforced for the plastic strap tightening |
| Plastic strap - Black | 2   | To Squeeze the 2 cardboard sleeve together     |
| Packaging label       | 3   | White label with PN                            |
| Plastic strap- Green  | 2   | To secure the enclosure to the wood pallet     |
| Wood Pallet           | 1   | 2" deeper and 3" larger than enclosure size    |

| Qty        | Part Number     | Rev | Description                                |
|------------|-----------------|-----|--|
| 6          | STK-Q-00600     | 2   | M12 to M8 Adaptor                          |
| 1          | 881 SP7230G     | 0   | 881 SP - Inner Panel                       |
| 1          | STK-K-01800     | 5   | 5412 ES Accessory Kit                      |
| 1          | 5412ESTH723016C | 0   | 5412ESTH 72" x 30" Cover                   |
| 1          | 5412ESTH723016B | 0   | 5412ESTH 72" x 30" x 16" Body              |
| 4          | STK-Q-04050-08  | 0   | M6 x 8mm Hexagon Socket Head Machine Screw |
| Parts List |                 |     |  |

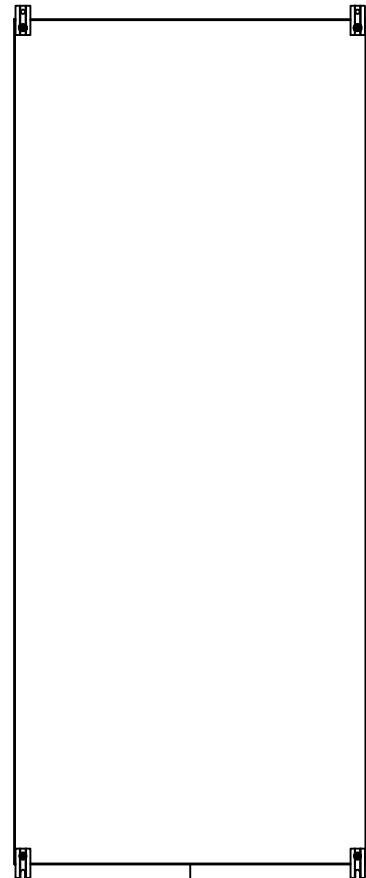
|  |   |   |
|--|---|---|
|  Tél: (450) 979-4373<br>Fax: (450) 979-4626<br><a href="http://www.exmweb.com">www.exmweb.com</a> | Flatness<br>Aplatissement                 | Max 3.0mm   |
|  | Projection                                |  |
| Customer<br>Client   | Date                                      |   |
| Drawn By<br>Dessiné Par  | BoxCad: BoxCad                            | Date 24-Mar-14  |
| Material<br>Matière  | 14 Ga Cold Rolled A1008 CS Type B (1.7mm) |   |
| Color<br>Couleur   | Asa-61 Grey                               | Finish<br>Fini Smooth   |
| Description  | Detail Rev.                               |   |
| 5412ESTH 72" x 30" x 16" Assembly  |   |   |
| Part Number<br>Numéro Pièce  | 5412ESTH723016                            | Rev. 0  |
|  |   | 2 / 16  |

This drawing is confidential and must not be reproduced or used without the consent of EXM

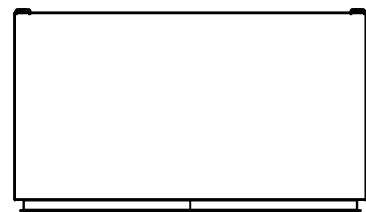
Ce dessin est confidentiel et ne doit pas être reproduit ou utilisé sans le consentement de EXM



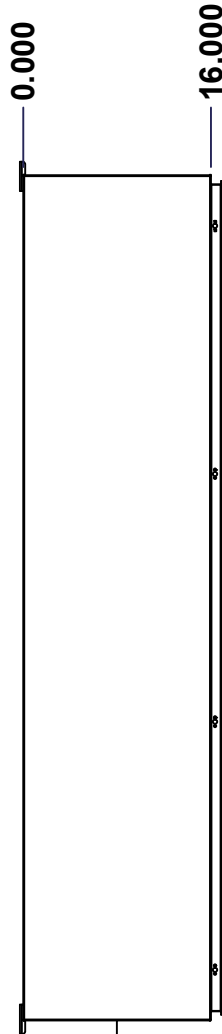
TOP



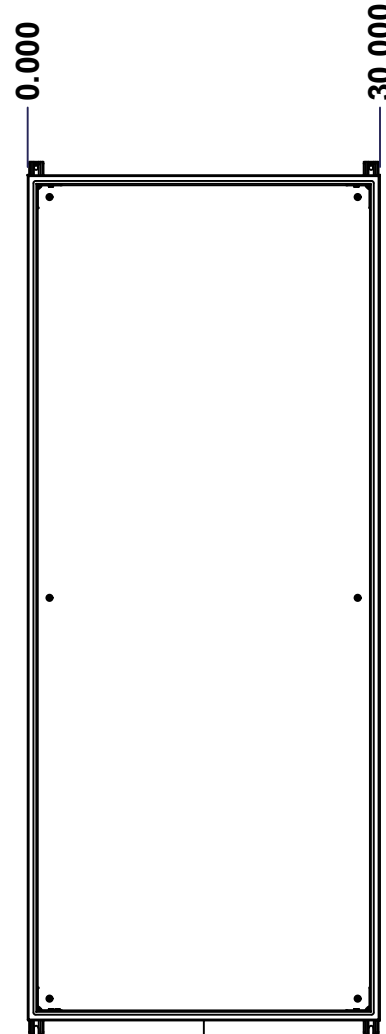
BACK



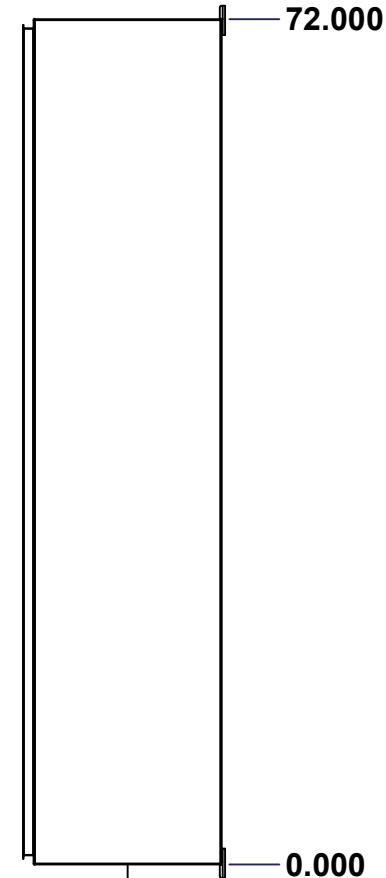
BOTTOM



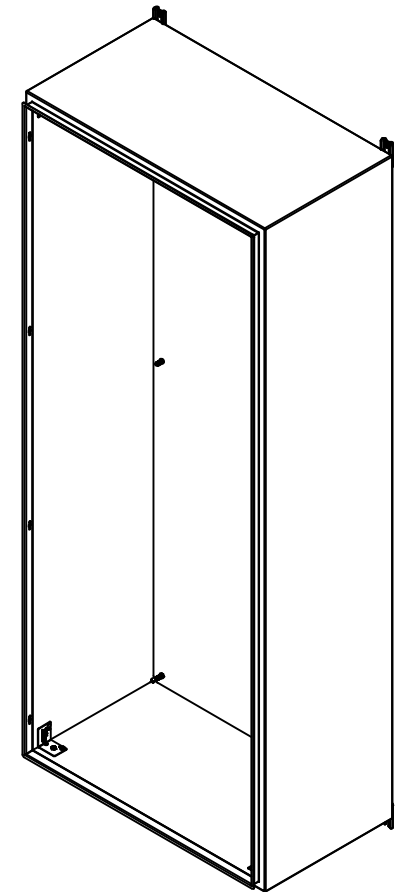
LEFT



FRONT




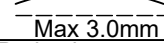
RIGHT



Isometric View



| No. | Revisions | Date | By/Par |
|-----|-----------|------|--------|
|     |           |      |        |
|     |           |      |        |
|     |           |      |        |
|     |           |      |        |
|     |           |      |        |

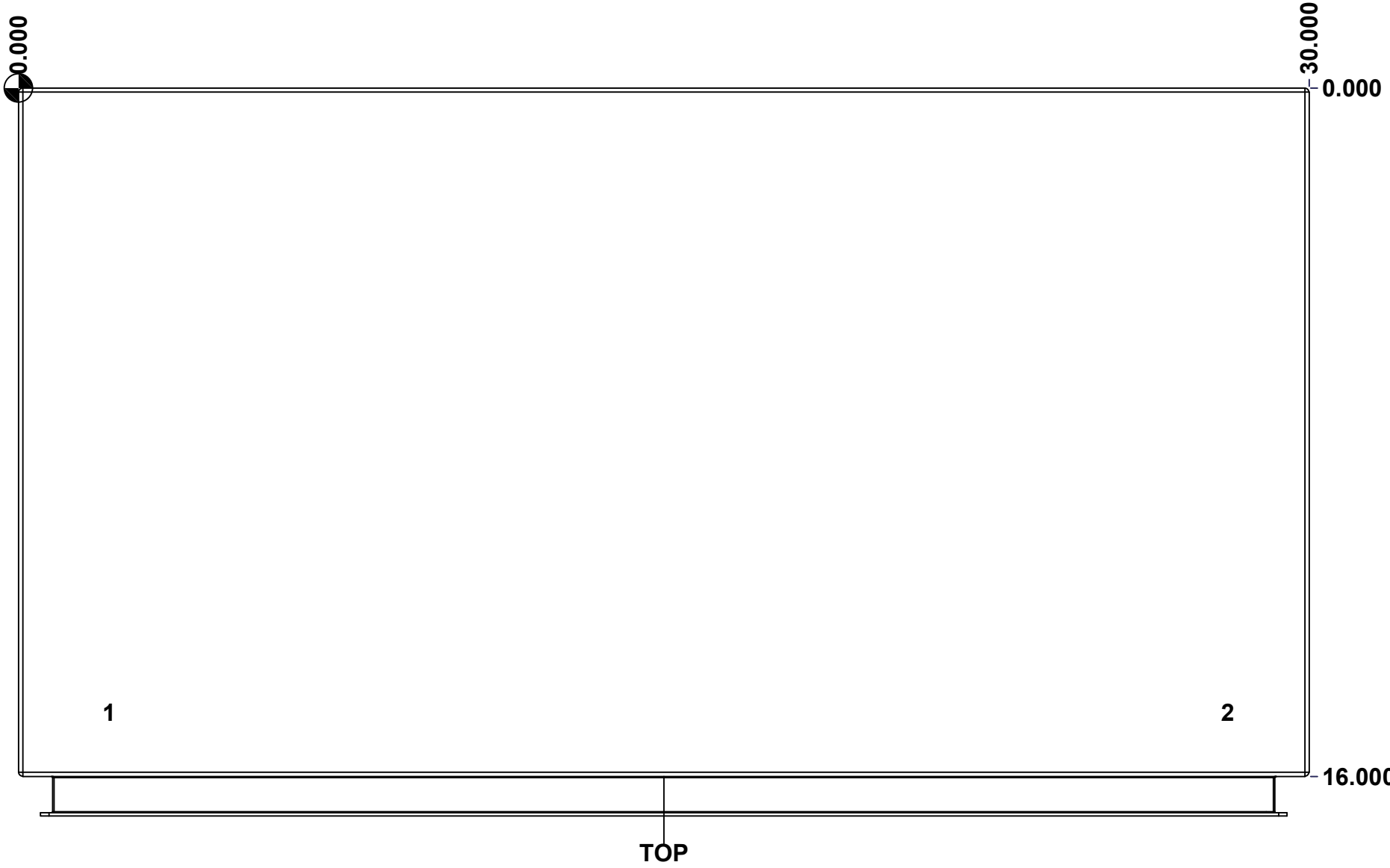
|  |                       |   |
|--|-----------------------|---|
|  Tél: (450) 979-4373<br>Fax: (450) 979-4626<br><a href="http://www.exmweb.com">www.exmweb.com</a> |                       | Flatness<br>Aplatissement<br><br>Max 3.0mm |
| Customer Client  |                       | Date  |
| Drawn By<br>Dessiné Par BoxCad: BoxCad   |                       | Date 24-Mar-14  |
| Material<br>Matière 14 Ga Cold Rolled A1008 CS Type B (1.7mm)  |                       |   |
| Color<br>Couleur Asa-61 Grey   | Finish<br>Fini Smooth |   |
| Description<br>5412ESTH 72" x 30" x 16" Body   |                       | Detail Rev.   |
| Part Number<br>Numéro Pièce <b>5412ESTH723016B</b>   |                       | Rev. 3<br><b>0</b>  |

SEE BILL OF MATERIAL ON LAST PAGE

This drawing is confidential and must not be reproduced or used without the consent of EXM

Ce dessin est confidentiel et ne doit pas être reproduit ou utilisé sans le consentement de EXM

| STANDARD FEATURES ARE NOT LISTED IN THIS HOLE TABLE |        |        |                                |
|---|--------|--------|--------------------------------|
| HOLE TABLE - TOP VIEW (CUSTOM FEATURE ONLY)         |        |        |                                |
| CUT-OUT   | XDIM   | YDIM   | DESCRIPTION                    |
| 1   | 2.000  | 14.500 | INSUL. STUD M6 x 18mm (Inside) |
| 2   | 28.000 | 14.500 | INSUL. STUD M6 x 18mm (Inside) |

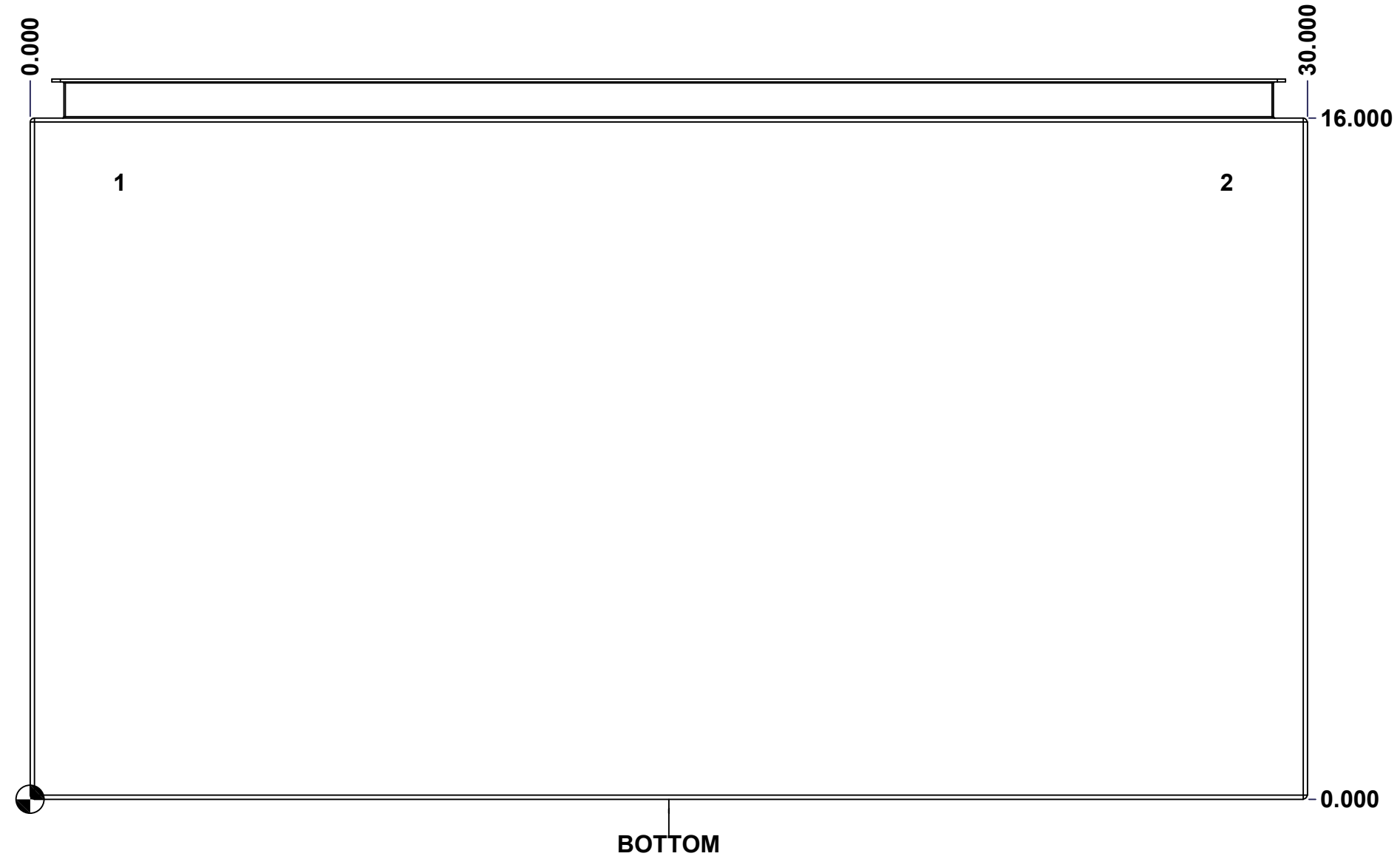


|   |                               |        |
|---|-------------------------------|--------|
|   | Description                   | Status |
|   | 5412ESTH 72" x 30" x 16" Body | (NULL) |
| Part Number<br>Numéro Pièce<br><b>5412ESTH723016B</b> | Rev.                          | 4      |
|   | <b>0</b>                      | 16     |

This drawing is confidential and must not be reproduced or used without the consent of EXM

Ce dessin est confidentiel et ne doit pas être reproduit ou utilisé sans le consentement de EXM

| <b>STANDARD FEATURES ARE NOT LISTED IN THIS HOLE TABLE</b> |        |        |                                |
|--|--------|--------|--------------------------------|
| <b>HOLE TABLE - BOTTOM VIEW (CUSTOM FEATURE ONLY)</b>      |        |        |                                |
| CUT-OUT  | XDIM   | YDIM   | DESCRIPTION                    |
| 1  | 2.000  | 14.500 | INSUL. STUD M6 x 18mm (Inside) |
| 2  | 28.000 | 14.500 | INSUL. STUD M6 x 18mm (Inside) |

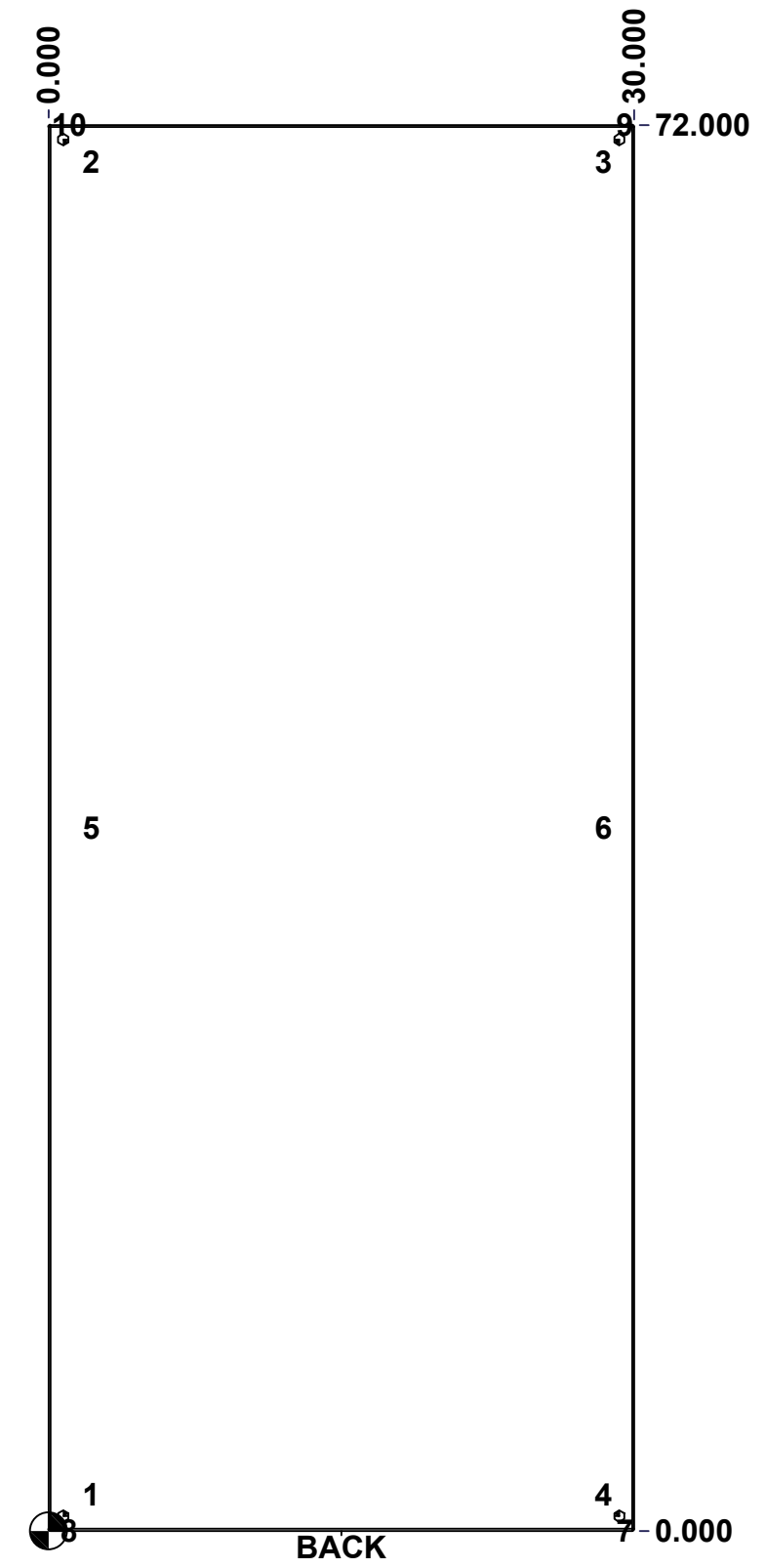


|                             |                               |          |        |
|-----------------------------|-------------------------------|----------|--------|
|                             | Description                   |          | Status |
|                             | 5412ESTH 72" x 30" x 16" Body |          | (NULL) |
| Part Number<br>Numéro Pièce |                               | Rev.     | 5      |
| <b>5412ESTH723016B</b>      |                               | <b>0</b> | 16     |

This drawing is confidential and must not be reproduced or used without the consent of EXM

Ce dessin est confidentiel et ne doit pas être reproduit ou utilisé sans le consentement de EXM

| STANDARD FEATURES ARE NOT LISTED IN THIS HOLE TABLE |        |        |                            |
|---|--------|--------|----------------------------|
| HOLE TABLE - BACK VIEW (CUSTOM FEATURE ONLY)        |        |        |                            |
| CUT-OUT   | XDIM   | YDIM   | DESCRIPTION                |
| 1   | 1.875  | 1.875  | IP STUD M8 x 35mm (Inside) |
| 2   | 1.875  | 70.125 | IP STUD M8 x 35mm (Inside) |
| 3   | 28.125 | 70.125 | IP STUD M8 x 35mm (Inside) |
| 4   | 28.125 | 1.875  | IP STUD M8 x 35mm (Inside) |
| 5   | 1.875  | 36.000 | IP STUD M8 x 35mm (Inside) |
| 6   | 28.125 | 36.000 | IP STUD M8 x 35mm (Inside) |
| -----   |        |        |                            |
| 7   | 29.250 | 0.000  | FOOT 885 ESMF3_OPEN        |
| 8   | 0.750  | 0.000  | FOOT 885 ESMF3_OPEN        |
| 9   | 29.250 | 72.000 | FOOT 885 ESMF3_CLOSE       |
| 10  | 0.750  | 72.000 | FOOT 885 ESMF3_CLOSE       |

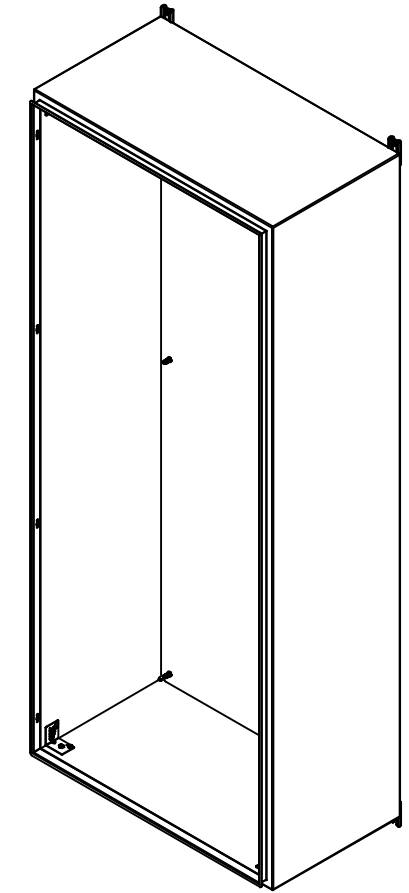


|  |                               |              |
|--|-------------------------------|--------------|
|  | Description                   | Status       |
|  | 5412ESTH 72" x 30" x 16" Body | (NULL)       |
|  | Part Number<br>Numéro Pièce   | Rev.         |
|  | <b>5412ESTH723016B</b>        | <b>0</b> / 6 |
|  |                               | 16           |

This drawing is confidential and must not be reproduced or used without the consent of EXM

Ce dessin est confidentiel et ne doit pas être reproduit ou utilisé sans le consentement de EXM

| No. | Revisions | Date | By/Par |
|-----|-----------|------|--------|
|     |           |      |        |
|     |           |      |        |
|     |           |      |        |
|     |           |      |        |
|     |           |      |        |


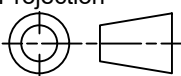


Isometric View



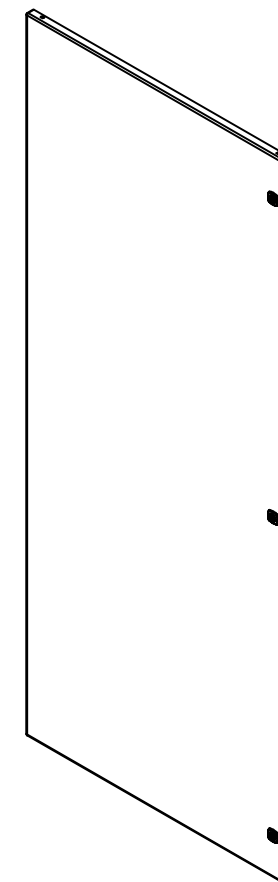
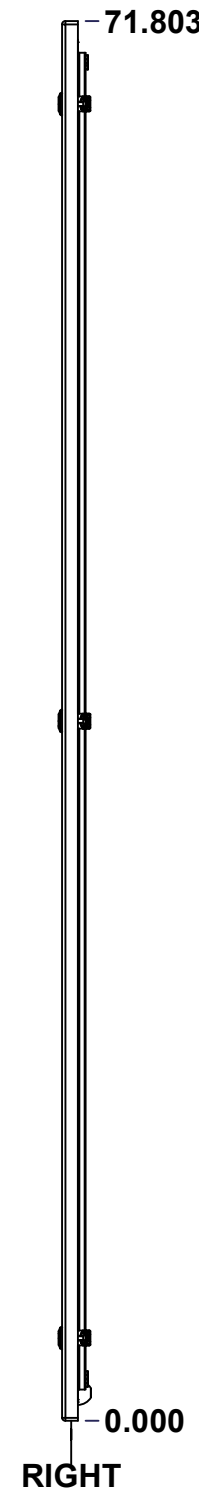
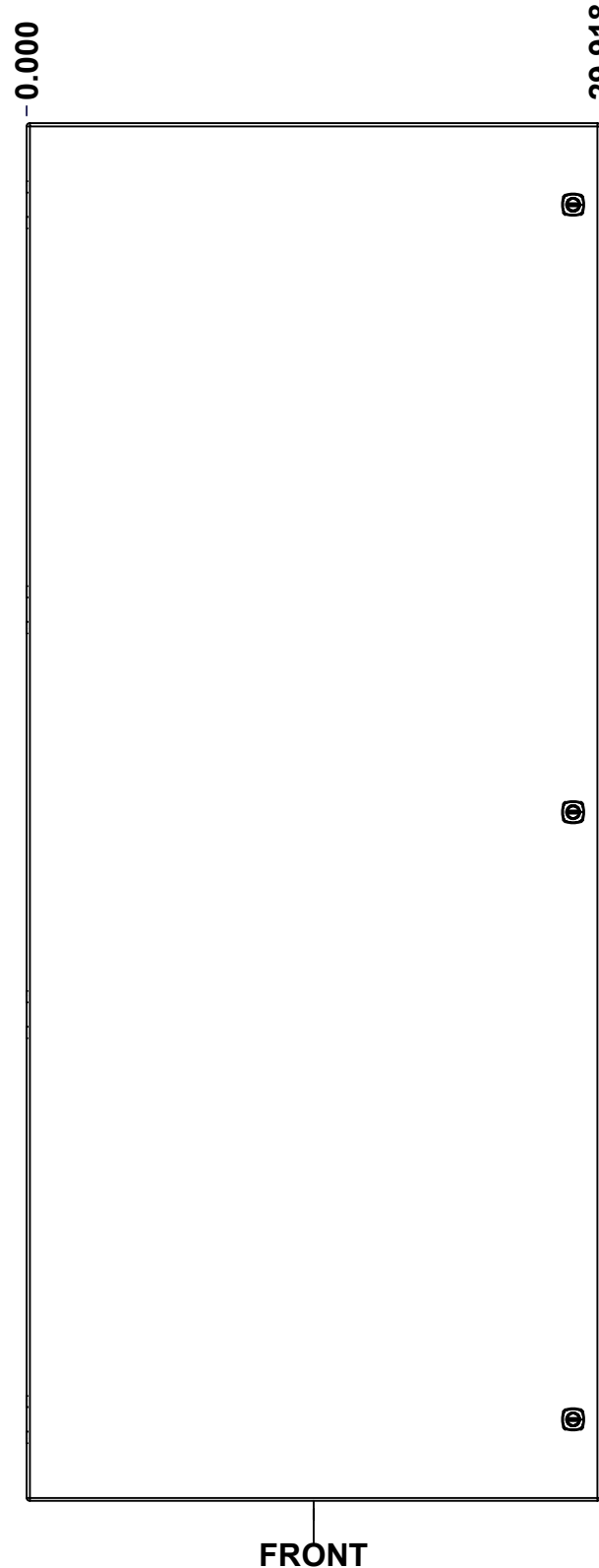
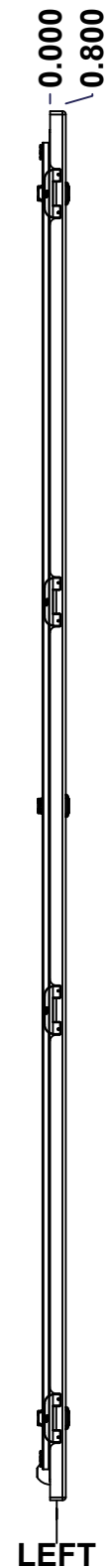
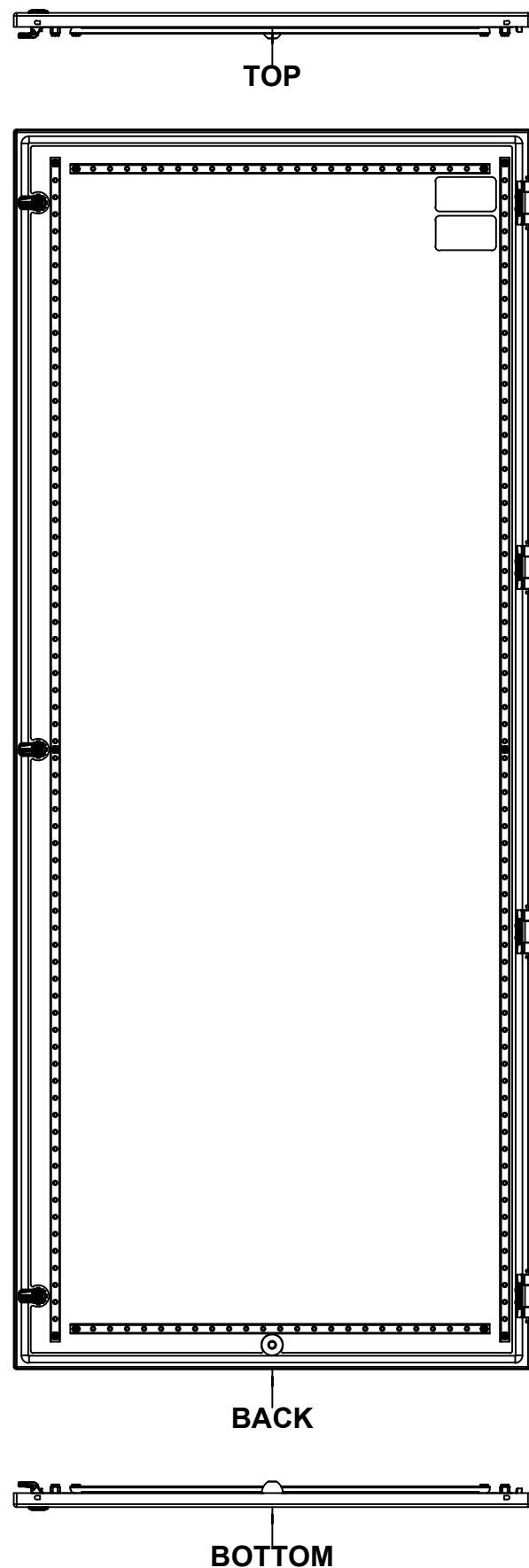
|   |                     |   |  |
|---|---------------------|---|--|
| 2 | 885ESMF3-FEET       | 0 | 885 ESMF3 Mounting Foot                      |
| 4 | RIVET_NUT_M10_FH_CE | 0 | Rivet Nut M10 (Low Profile Close End)        |
| 4 | STK-Q-06660         | 2 | M10 x 16mm Machine Screw                     |
| 2 | 885ESMF3-FEET-A     | 0 | 885 ESMF3 Mounting Foot (Opened Slot)        |
| 1 | STK-K-70554         | 3 | 5412 ESTH Accessory Kit                      |
| 1 | 5412ESTH723016I-RS  | 0 | 5412ESTH 72" x 30" Right Insulation          |
| 1 | 5412ESTH723016I-LS  | 0 | 5412ESTH 72" x 30" Left Insulation           |
| 1 | 5412ESTH723016I-BT  | 0 | 5412ESTH 72" x 30" Top and Bottom Insulation |
| 1 | 5412ESTH723016I-TP  | 0 | 5412ESTH 72" x 30" Top and Bottom Insulation |
| 1 | 5412ESTH723016I-B   | 0 | 5412ESTH 72" x 30" Back Insulation           |
| 4 | STK-Q-16055         | 1 | M6 x 18mm Stud (No Paint Cap Required)       |
| 1 | STK-P-02400S        | 0 | Powder Paint (Asa-61 Grey / Smooth)          |
| 6 | STK-Q-16005         | 1 | Stud M8 x 35 (No Paint Cap Required)         |
| 1 | 5412ESTH723016B-P   | 0 | 5412ESTH 72" x 30" x 16" Body Part           |

| Qty        | Part Number | Rev | Description |
|------------|-------------|-----|-------------|
| Parts List |             |     |             |

|  |   |   |
|--|---|---|
|  Tél: (450) 979-4373<br>Fax: (450) 979-4626<br><a href="http://www.exmweb.com">www.exmweb.com</a> | Flatness<br>Aplatissement                 | Max 3.0mm   |
|  | Projection                                |  |
| Customer<br>Client   | Date                                      |   |
| Drawn By<br>Dessiné Par  | BoxCad: BoxCad                            | Date 24-Mar-14  |
| Material<br>Matière  | 14 Ga Cold Rolled A1008 CS Type B (1.7mm) |   |
| Color<br>Couleur   | Asa-61 Grey                               | Finish<br>Fini Smooth   |
| Description  | 5412ESTH 72" x 30" x 16" Body             |   |
| Part Number<br>Numéro Pièce  | Rev. 0                                    | 7 / 16  |
| <b>5412ESTH723016B</b>   |   |   |

This drawing is confidential and must not be reproduced or used without the consent of EXM


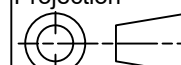
Ce dessin est confidentiel et ne doit pas être reproduit ou utilisé sans le consentement de EXM



Isometric View



| No. | Revisions | Date | By/Par |
|-----|-----------|------|--------|
|     |           |      |        |
|     |           |      |        |
|     |           |      |        |
|     |           |      |        |
|     |           |      |        |

|  |   |   |
|--|---|---|
|  Tél: (450) 979-4373<br>Fax: (450) 979-4626<br><a href="http://www.exmweb.com">www.exmweb.com</a> |   | Flatness<br>Aplatissement<br>Max 3.0mm<br>Projection<br> |
| Customer Client  | Date                                      |   |
| Drawn By<br>Dessiné Par  | BoxCad: BoxCad                            | Date 24-Mar-14  |
| Material<br>Matière  | 14 Ga Cold Rolled A1008 CS Type B (1.7mm) |   |
| Color<br>Couleur   | Asa-61 Grey                               | Finish<br>Fini Smooth   |
| Description<br>5412ESTH 72" x 30" Cover  |   | Detail Rev.   |
| Part Number<br>Numéro Pièce  | Rev. 0                                    | 8 / 16  |

SEE BILL OF MATERIAL ON LAST PAGE

**5412ESTH723016C**



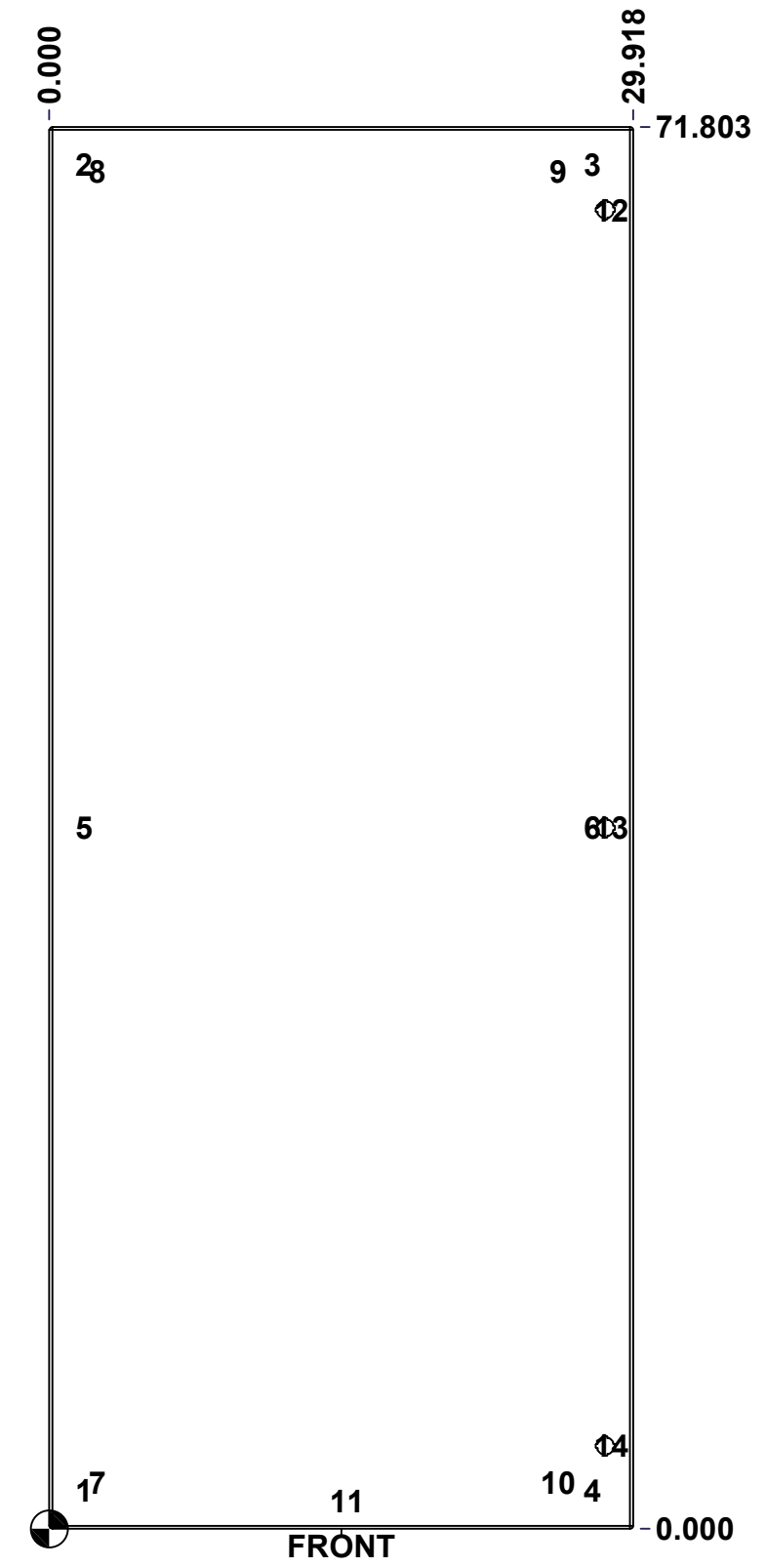
This drawing is confidential and must not be reproduced or used without the consent of EXM

Ce dessin est confidentiel et ne doit pas être reproduit ou utilisé sans le consentement de EXM

**STANDARD FEATURES ARE NOT LISTED IN THIS HOLE TABLE**

**HOLE TABLE - FRONT VIEW (CUSTOM FEATURE ONLY)**

| CUT-OUT | XDIM   | YDIM   | DESCRIPTION             |
|---------|--------|--------|-------------------------|
| 1       | 1.486  | 1.945  | STUD M6 x 18mm (Inside) |
| 2       | 1.486  | 69.858 | STUD M6 x 18mm (Inside) |
| 3       | 27.517 | 69.858 | STUD M6 x 18mm (Inside) |
| 4       | 27.517 | 1.945  | STUD M6 x 18mm (Inside) |
| 5       | 1.486  | 35.902 | STUD M6 x 18mm (Inside) |
| 6       | 27.517 | 35.902 | STUD M6 x 18mm (Inside) |
| 7       | 2.143  | 2.350  | STUD M6 x 18mm (Inside) |
| 8       | 2.143  | 69.524 | STUD M6 x 18mm (Inside) |
| 9       | 25.766 | 69.524 | STUD M6 x 18mm (Inside) |
| 10      | 25.766 | 2.350  | STUD M6 x 18mm (Inside) |
| 11      | 14.959 | 1.435  | STUD M6 x 18mm (Inside) |
| -----   |        |        |                         |
| 12      | 28.494 | 67.553 | 880 SCQ4-SL             |
| 13      | 28.494 | 35.902 | 880 SCQ4-SL             |
| 14      | 28.494 | 4.250  | 880 SCQ4-SL             |

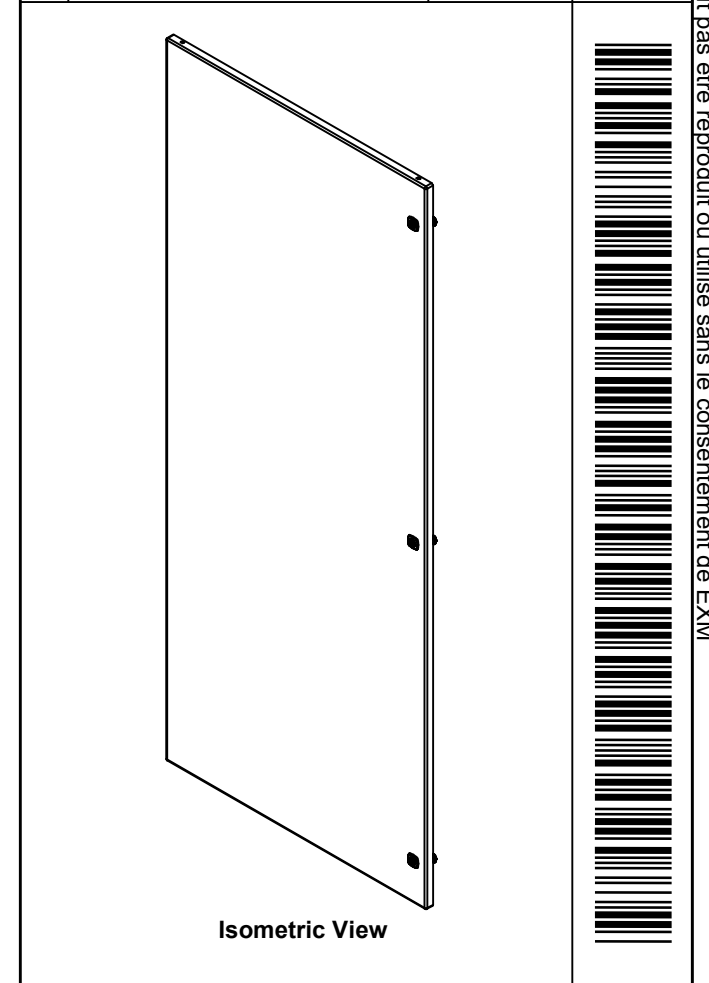


|  |                             |              |
|--|-----------------------------|--------------|
|  | Description                 | Status       |
|  | 5412ESTH 72" x 30" Cover    | (NULL)       |
|  | Part Number<br>Numéro Pièce | Rev.         |
|  | <b>5412ESTH723016C</b>      | <b>0</b> / 9 |
|  |                             | 16           |


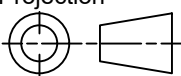
This drawing is confidential and must not be reproduced or used without the consent of EXM

Ce dessin est confidentiel et ne doit pas être reproduit ou utilisé sans le consentement de EXM

| No. | Revisions | Date | By/Par |
|-----|-----------|------|--------|
|     |           |      |        |
|     |           |      |        |
|     |           |      |        |
|     |           |      |        |
|     |           |      |        |

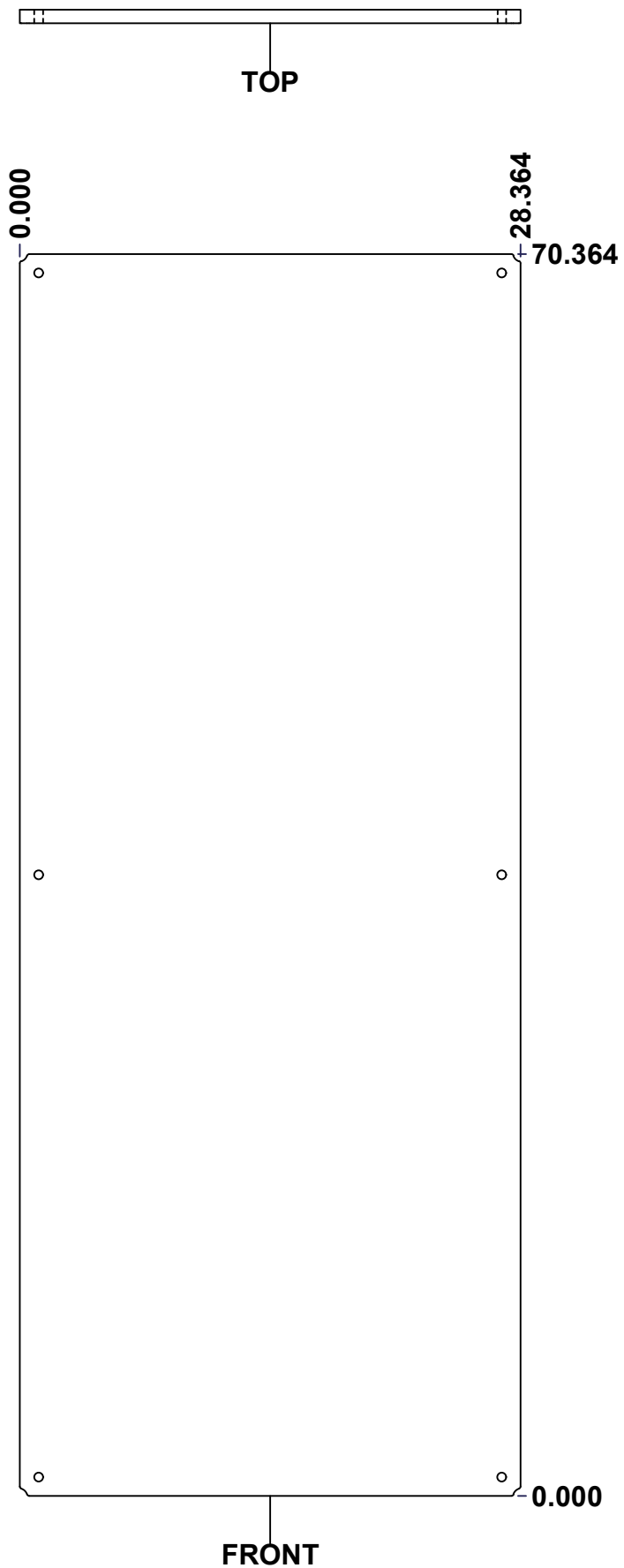


| 2          | STK-S-00100       | 0   | 3.5" x 2" Silver Milar Flexcon Sticker       |
|------------|-------------------|-----|--|
| 10         | STK-Q-07250       | 2   | M6 x 16mm Collar Nut                         |
| 2          | STK-Q-46025-30-3  | 4   | 5412 ES Horizontal Door Stiffener 30" (3Pts) |
| 2          | STK-Q-46020-72    | 5   | 5412 ES Vertical Door Stiffener 72"          |
| 1          | 5412ESTH723016I-C | 0   | 5412ESTH 72" x 30" Cover Insulation          |
| 1          | STK-P-02400S      | 0   | Powder Paint (Asa-61 Grey / Smooth)          |
| 1          | STK-Q-46515       | 3   | 5412 ES Door Support with Brass Insert       |
| 11         | STK-Q-16055       | 1   | M6 x 18mm Stud (No Paint Cap Required)       |
| 1          | 5412ESTH723016G   | 0   | 5412ESTH 72" x 30" Cover Gasket Part         |
| 1          | 5412ESTH723016C-P | 0   | 5412ESTH 72" x 30" Cover Part                |
| 4          | STK-K-09800       | 10  | 5412 ES Hinge with 2 Captive Hinge Pins      |
| 3          | STK-K-12500       | 16  | 5412 ES 1/4 Turn Lock                        |
| QTY        | Part Number       | Rev | Description                                  |
| Parts List |                   |     |  |

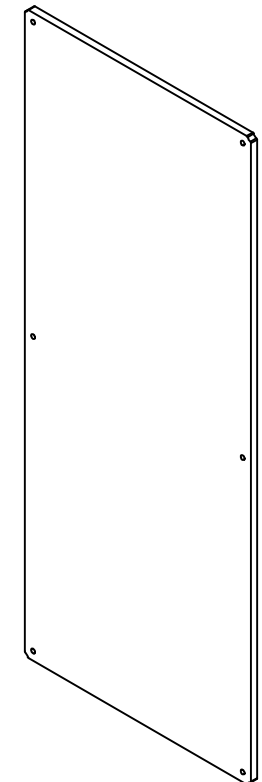
|  |   |   |
|--|---|---|
|  Tél: (450) 979-4373<br>Fax: (450) 979-4626<br><a href="http://www.exmweb.com">www.exmweb.com</a> |   | Flatness<br>Aplatissement<br>Max 3.0mm<br>Projection<br> |
| Customer<br>Client   | Date                                      |   |
| Drawn By<br>Dessiné Par  | BoxCad: BoxCad                            | Date 24-Mar-14  |
| Material<br>Matière  | 14 Ga Cold Rolled A1008 CS Type B (1.7mm) |   |
| Color<br>Couleur   | Asa-61 Grey                               | Finish<br>Fini Smooth   |
| Description  |   | Detail Rev.   |
| 5412ESTH 72" x 30" Cover   |   |   |
| Part Number<br>Numéro Pièce  | Rev.                                      | 10  |
| <b>5412ESTH723016C</b>   | <b>0</b>                                  | 16  |

This drawing is confidential and must not be reproduced or used without the consent of EXM

Ce dessin est confidentiel et ne doit pas être reproduit ou utilisé sans le consentement de EXM


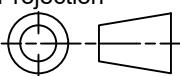


| No. | Revisions | Date | By/Par |
|-----|-----------|------|--------|
|     |           |      |        |
|     |           |      |        |
|     |           |      |        |
|     |           |      |        |



Isometric View

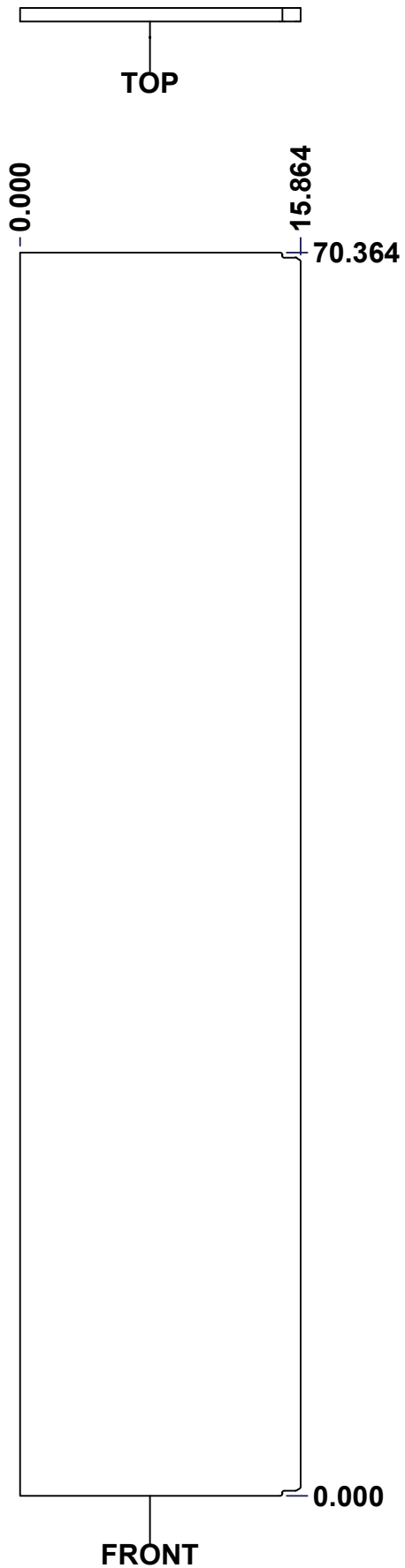


|  |                    |  |
|--|--------------------|--|
|  Tél: (450) 979-4373<br>Fax: (450) 979-4626<br><a href="http://www.exmweb.com">www.exmweb.com</a> |                    | Flatness<br>Aplatissement<br>Max 3.0mm |
| Projection<br>  |                    | Date<br>23-Jan-07                      |
| Customer Client  | Date               |  |
| Drawn By / Dessiné Par: BoxCad: Patrick Deschenes  | Date: 23-Jan-07    |  |
| Material / Matière: Polyisocyanurate   |                    |  |
| Color / Couleur: Aluminum  | Finish / Fini: N/A |  |
| Description: 5412ESTH 72" x 30" Back Insulation  |                    | Detail Rev.                            |
| Part Number / Numéro Pièce: 5412ESTH723016-B   | Rev. 0             | 11 / 16                                |

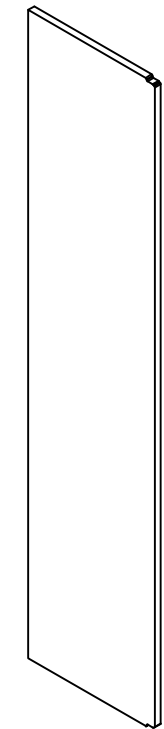
SEE BILL OF MATERIAL ON LAST PAGE

This drawing is confidential and must not be reproduced or used without the consent of EXM

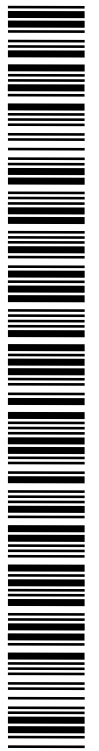
Ce dessin est confidentiel et ne doit pas être reproduit ou utilisé sans le consentement de EXM


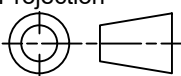


| No. | Revisions | Date | By/Par |
|-----|-----------|------|--------|
|     |           |      |        |
|     |           |      |        |
|     |           |      |        |
|     |           |      |        |
|     |           |      |        |



Isometric View

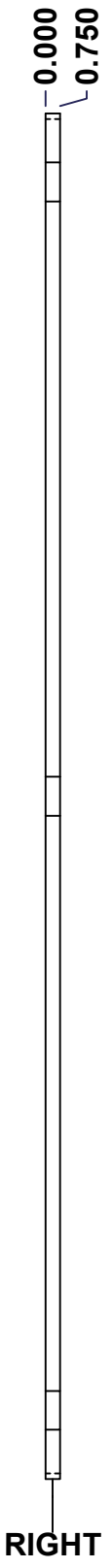
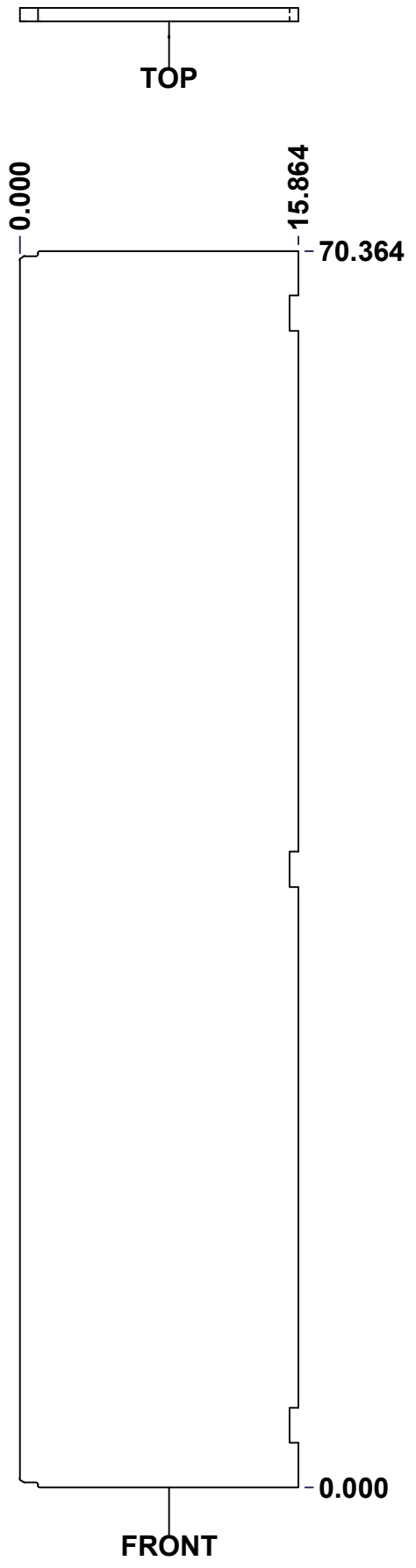


|  |                           |   |
|--|---------------------------|---|
|  Tél: (450) 979-4373<br>Fax: (450) 979-4626<br><a href="http://www.exmweb.com">www.exmweb.com</a> | Flatness<br>Aplatissement | Max 3.0mm   |
|  | Projection                |  |
| Customer Client  | Date                      |   |
| Drawn By<br>Dessiné Par  | BoxCad: Patrick Deschenes | Date 23-Jan-07  |
| Material<br>Matière  | Polyisocyanurate          |   |
| Color<br>Couleur   | Aluminum                  | Finish<br>Fini N/A  |
| Description  | Detail Rev.               |   |
| 5412ESTH 72" x 30" Left Insulation   |                           |   |
| Part Number<br>Numéro Pièce  | Rev.                      | 12  |
| 5412ESTH723016I-LS   | 0                         | 16  |

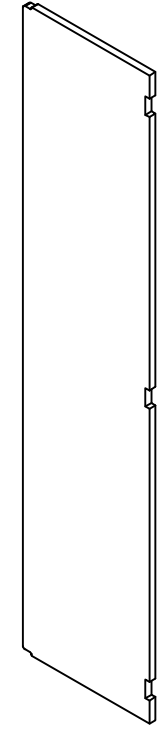
SEE BILL OF MATERIAL ON LAST PAGE

This drawing is confidential and must not be reproduced or used without the consent of EXM


Ce dessin est confidentiel et ne doit pas être reproduit ou utilisé sans le consentement de EXM




| No. | Revisions | Date | By/Par |
|-----|-----------|------|--------|
|     |           |      |        |
|     |           |      |        |
|     |           |      |        |
|     |           |      |        |
|     |           |      |        |



**Isometric View**



|  |  |                           |             |
|--|--|---------------------------|-------------|
|  Tél: (450) 979-4373<br>Fax: (450) 979-4626<br><a href="http://www.exmweb.com">www.exmweb.com</a> |  | Flatness<br>Aplatissement |             |
|  |  | Max 3.0mm                 |             |
| Customer<br>Client   |  | Date                      |             |
| Drawn By<br>Dessiné Par  |  | Date                      |             |
| Material<br>Matière  |  | Polyisocyanurate          |             |
| Color<br>Couleur   |  | Finish<br>Fini            |             |
| Aluminum   |  | N/A                       |             |
| Description  |  |                           | Detail Rev. |
| 5412ESTH 72" x 30" Right Insulation  |  |                           |             |
| Part Number<br>Numéro Pièce  |  | Rev.                      |             |
| 5412ESTH723016I-RS   |  | 0                         | 13<br>16    |

**SEE BILL OF MATERIAL ON LAST PAGE**

This drawing is confidential and must not be reproduced or used without the consent of EXM

Ce dessin est confidentiel et ne doit pas être reproduit ou utilisé sans le consentement de EXM



TOP

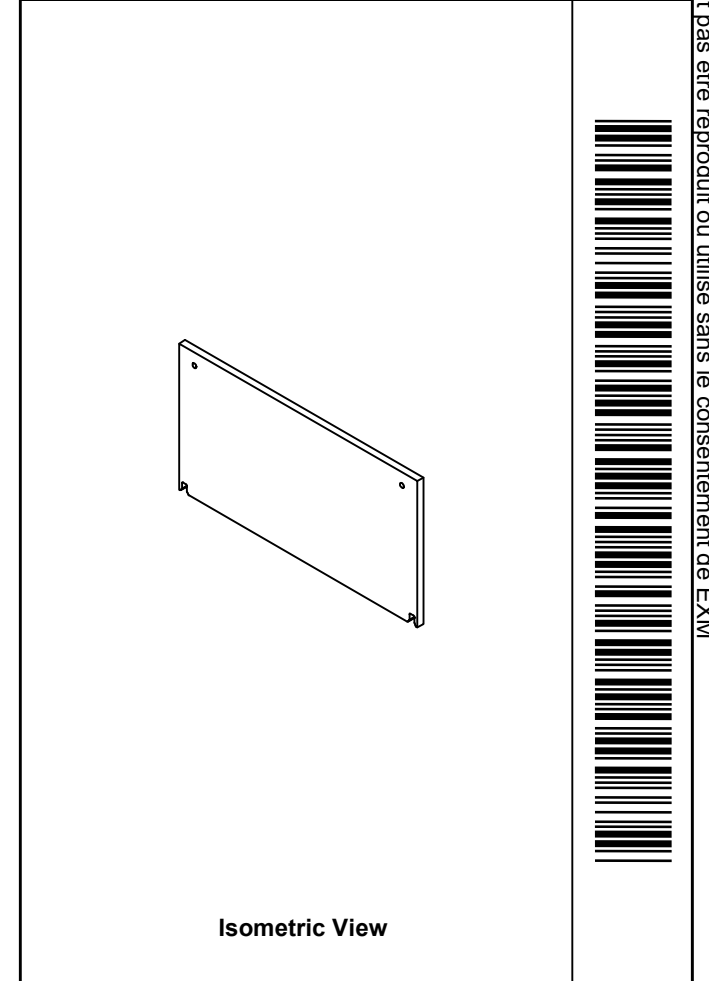


FRONT

0.000  
0.750

RIGHT

| No. | Revisions | Date | By/Par |
|-----|-----------|------|--------|
|     |           |      |        |
|     |           |      |        |
|     |           |      |        |
|     |           |      |        |



Isometric View

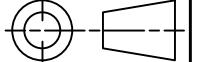


Tél: (450) 979-4373  
Fax: (450) 979-4626  
[www.exmweb.com](http://www.exmweb.com)

Flatness  
Aplatissement

Max 3.0mm

Projection

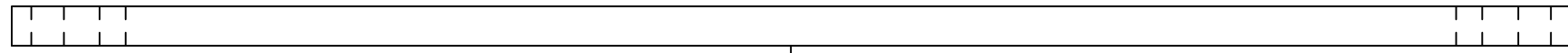


|   |                        |
|---|------------------------|
| Customer Client   | Date                   |
| Drawn By<br>Dessiné Par BoxCad: Patrick Deschenes           | Date 23-Jan-07         |
| Material<br>Matière Polyisocyanurate                        |                        |
| Color<br>Couleur Aluminum                                   | Finish<br>Fini N/A     |
| Description<br>5412ESTH 72" x 30" Top and Bottom Insulation | Detail Rev.            |
| Part Number<br>Numéro Pièce <b>5412ESTH723016I-TP</b>       | Rev. 14<br><b>0</b> 16 |

SEE BILL OF MATERIAL ON LAST PAGE

This drawing is confidential and must not be reproduced or used without the consent of EXM

Ce dessin est confidentiel et ne doit pas être reproduit ou utilisé sans le consentement de EXM



TOP

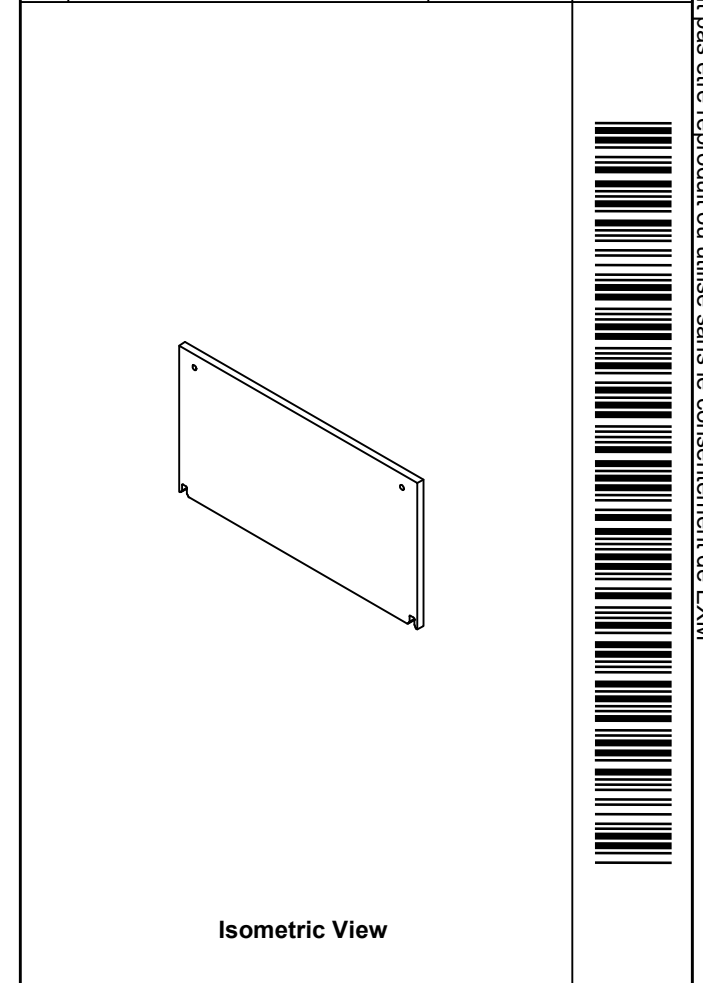



FRONT

0.000  
0.750

RIGHT

| No. | Revisions | Date | By/Par |
|-----|-----------|------|--------|
|     |           |      |        |
|     |           |      |        |
|     |           |      |        |
|     |           |      |        |

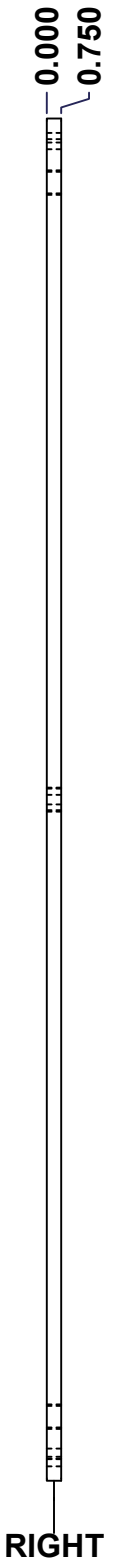
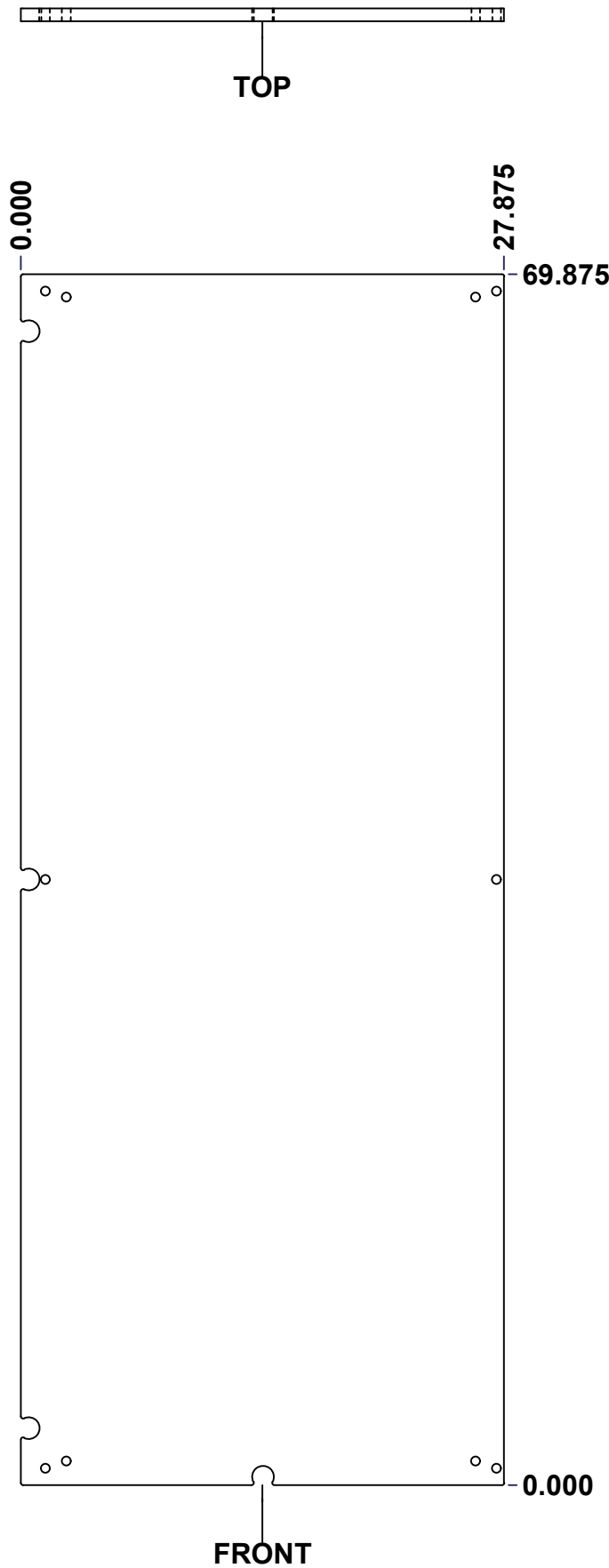


|  |                    |                           |
|--|--------------------|---------------------------|
|  Tél: (450) 979-4373<br>Fax: (450) 979-4626<br><a href="http://www.exmweb.com">www.exmweb.com</a> |                    | Flatness<br>Aplatissement |
|  |                    | Max 3.0mm                 |
| Customer<br>Client   |                    | Date                      |
| Drawn By<br>Dessiné Par BoxCad: Patrick Deschenes  |                    | Date 23-Jan-07            |
| Material<br>Matière Polyisocyanurate   |                    |                           |
| Color<br>Couleur Aluminum  | Finish<br>Fini N/A |                           |
| Description<br>5412ESTH 72" x 30" Top and Bottom Insulation  |                    | Detail Rev.               |
| Part Number<br>Numéro Pièce <b>5412ESTH723016I-BT</b>  |                    | Rev. 15<br><b>0</b>       |

SEE BILL OF MATERIAL ON LAST PAGE

This drawing is confidential and must not be reproduced or used without the consent of EXM

Ce dessin est confidentiel et ne doit pas être reproduit ou utilisé sans le consentement de EXM



| No. | Revisions | Date | By/Par |
|-----|-----------|------|--------|
|     |           |      |        |
|     |           |      |        |
|     |           |      |        |
|     |           |      |        |

**Isometric View**

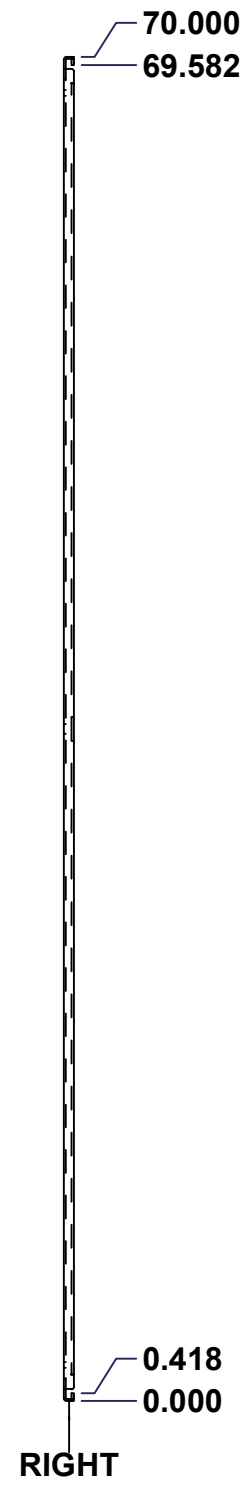
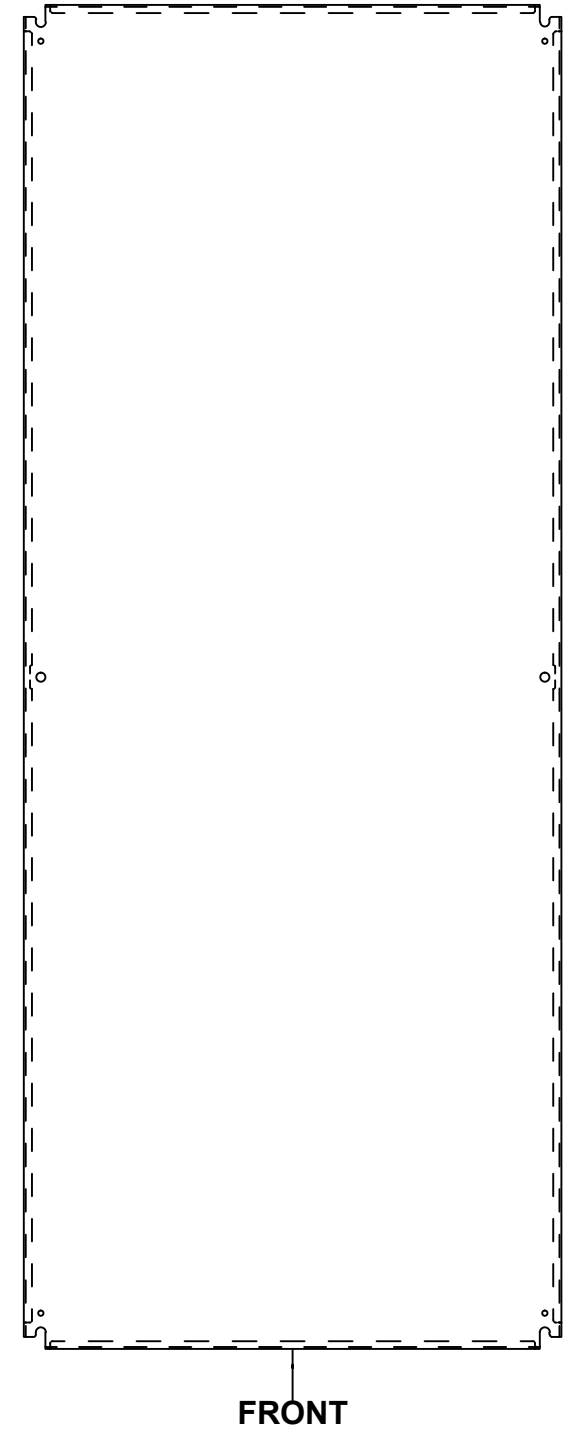
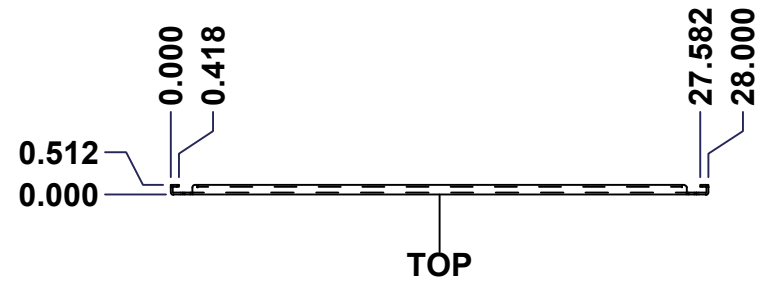
|   |                    |                           |
|---|--------------------|---------------------------|
| <p>Tél: (450) 979-4373<br/>                 Fax: (450) 979-4626<br/> <a href="http://www.exmweb.com">www.exmweb.com</a></p> |                    | Flatness<br>Aplatissement |
|   |                    | Max 3.0mm                 |
| Customer Client   |                    | Date                      |
| Drawn By / Dessiné Par: BoxCad: Patrick Deschenes   |                    | Date: 23-Jan-07           |
| Material / Matière: Polyisocyanurate  |                    |                           |
| Color / Couleur: Aluminum   | Finish / Fini: N/A |                           |
| Description: 5412ESTH 72" x 30" Cover Insulation  |                    | Detail Rev.               |
| Part Number / Numéro Pièce: 5412ESTH723016-C  |                    | Rev. 16                   |
|   |                    | 0                         |

SEE BILL OF MATERIAL ON LAST PAGE



This drawing is confidential and must not be reproduced or used without the consent of EXM

Ce dessin est confidentiel et ne doit pas être reproduit ou utilisé sans le consentement de EXM



| No. | Revisions | Date | By/Par |
|-----|-----------|------|--------|
|     |           |      |        |
|     |           |      |        |
|     |           |      |        |
|     |           |      |        |
|     |           |      |        |

Isometric View

|  |                              |  |
|--|------------------------------|--|
| Tél: (450) 979-4373<br>Fax: (450) 979-4626<br>www.exmweb.com |                              | Flatness<br>Aplatissement<br>Max 3.0mm<br>Projection<br> |
| Customer Client  | Date                         |  |
| Drawn By / Dessiné Par: BoxCad                               | Date: 23-Jan-07              |  |
| Material / Matière   | See Part List                |  |
| Color / Couleur: See Part List                               | Finish / Fini: See Part List |  |
| Description: 881 SP - Inner Panel                            |                              | Detail Rev.  |
| Part Number / Numéro Pièce: <b>881 SP7230G</b>               | Rev.:                        | 1 / 2  |

| Qty | Part Number   | Rev | Description               | Material         | Color     | Finish     |
|-----|---------------|-----|---------------------------|------------------|-----------|------------|
| 1   | 881 SP7230G-P | 0   | 881 SP - Inner Panel Part | 12 Ga Galvanized | Unpainted | Galvanized |

Parts List

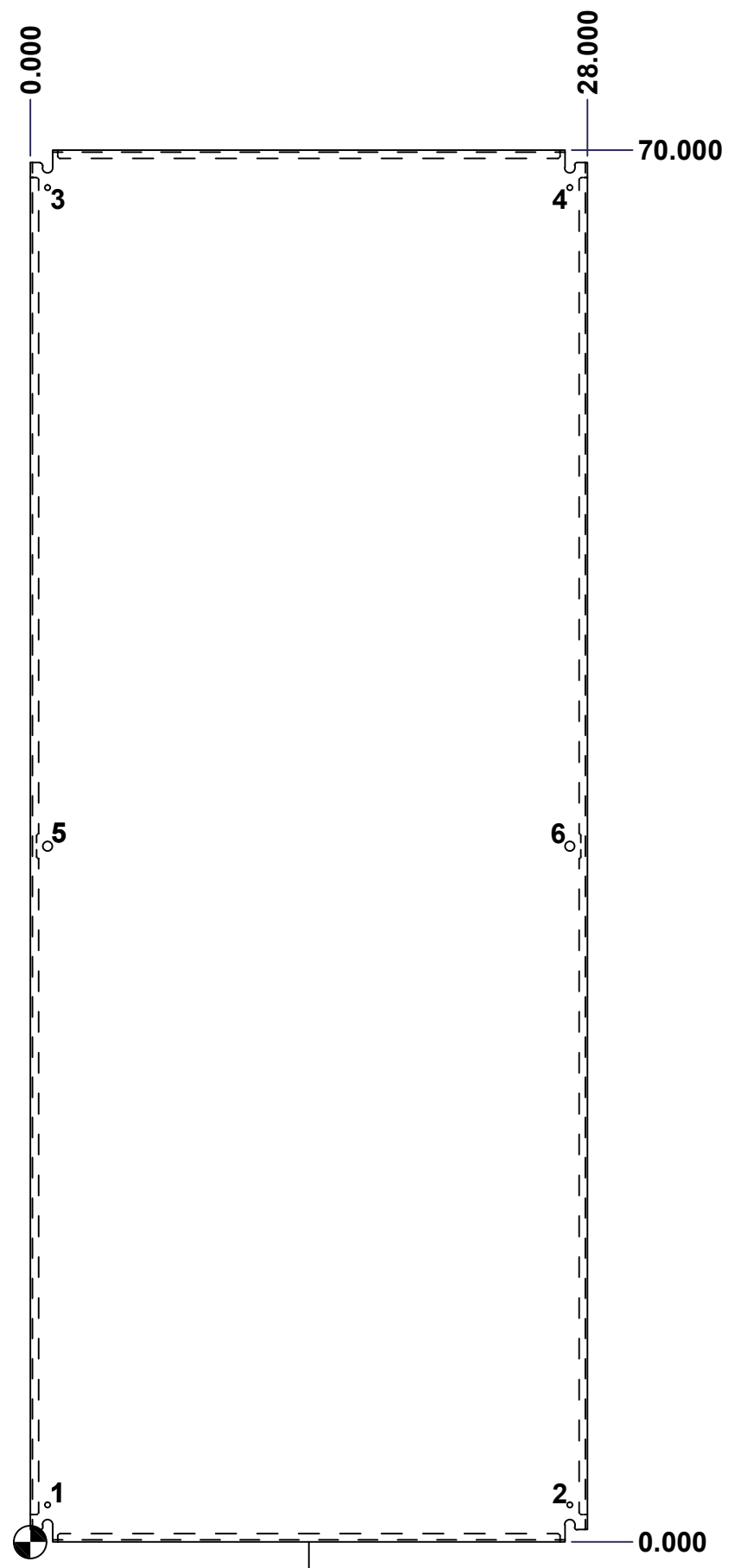
This drawing is confidential and must not be reproduced or used without the consent of EXM

Ce dessin est confidentiel et ne doit pas être reproduit ou utilisé sans le consentement de EXM

| Table 1 |        |        | FRONT VIEW                 |
|---------|--------|--------|----------------------------|
| CUT-OUT | XDIM   | YDIM   | DESCRIPTION                |
| 1       | 0.875  | 1.875  | GROUND HOLE (RND Ø0.290)   |
| 2       | 27.125 | 1.875  | GROUND HOLE (RND Ø0.290)   |
| 3       | 0.875  | 68.125 | GROUND HOLE (RND Ø0.290)   |
| 4       | 27.125 | 68.125 | GROUND HOLE (RND Ø0.290)   |
| 5       | 0.875  | 35.000 | MTG STUD HOLE (RND Ø0.500) |
| 6       | 27.125 | 35.000 | MTG STUD HOLE (RND Ø0.500) |

All knockouts are actual size / Les disques défonçables sont grandeur réel

| No. | Revisions | Date | By/Par |
|-----|-----------|------|--------|
|     |           |      |        |
|     |           |      |        |
|     |           |      |        |
|     |           |      |        |
|     |           |      |        |
|     |           |      |        |



FRONT

Isometric View

|   |  |  |  |  |  |
|---|--|--|--|--|--|
|   |  | Tél: (450) 979-4373<br>Fax: (450) 979-4626<br>www.exmweb.com |  | Flatness<br>Aplatissement<br>Max 3.0mm |  |
| Customer<br>Client                                |  | Date   |  | Projection<br>                         |  |
| Drawn By<br>Dessiné Par BoxCad                    |  | Date 23-Jan-07   |  | Material<br>Matière See Part List      |  |
| Color<br>Couleur See Part List                    |  | Finish<br>Fini See Part List                                 |  | Description<br>881 SP - Inner Panel    |  |
| Part Number<br>Numéro Pièce<br><b>881 SP7230G</b> |  | Rev. 0   |  | Detail Rev. 2                          |  |