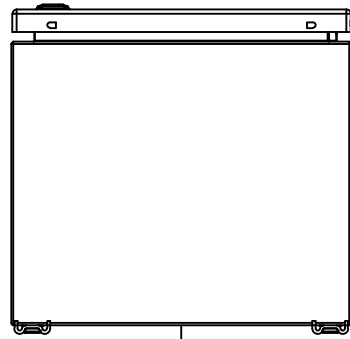
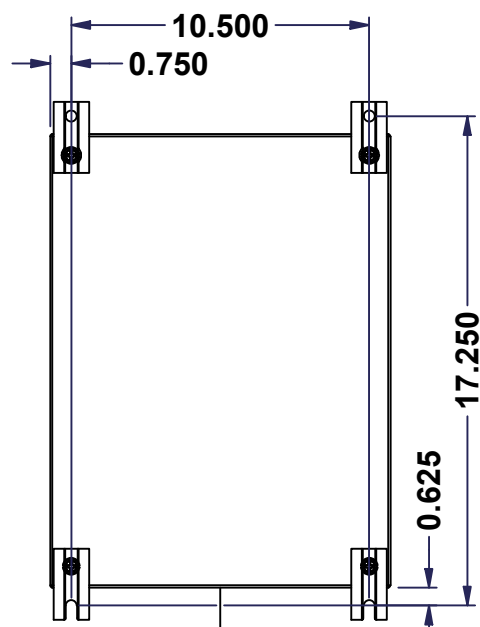


This drawing is confidential and must not be reproduced or used without the consent of EXM

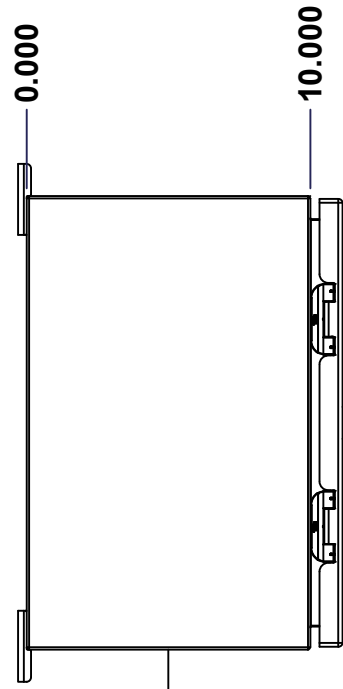
Ce dessin est confidentiel et ne doit pas être reproduit ou utilisé sans le consentement de EXM



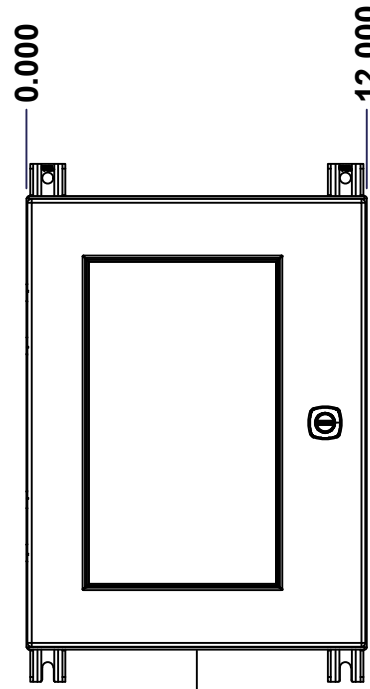
TOP



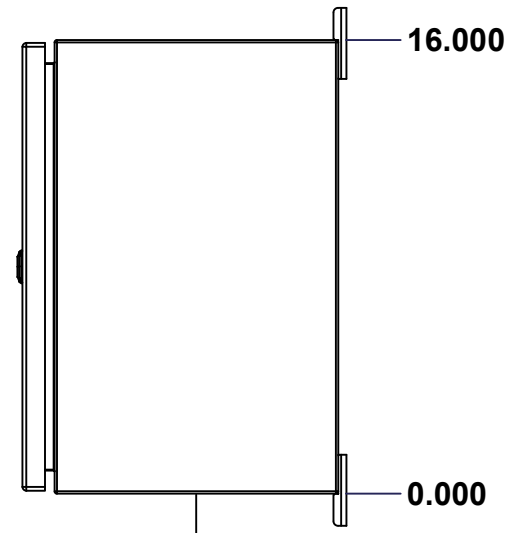
BACK



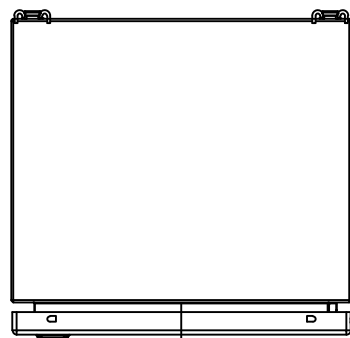
LEFT



FRONT

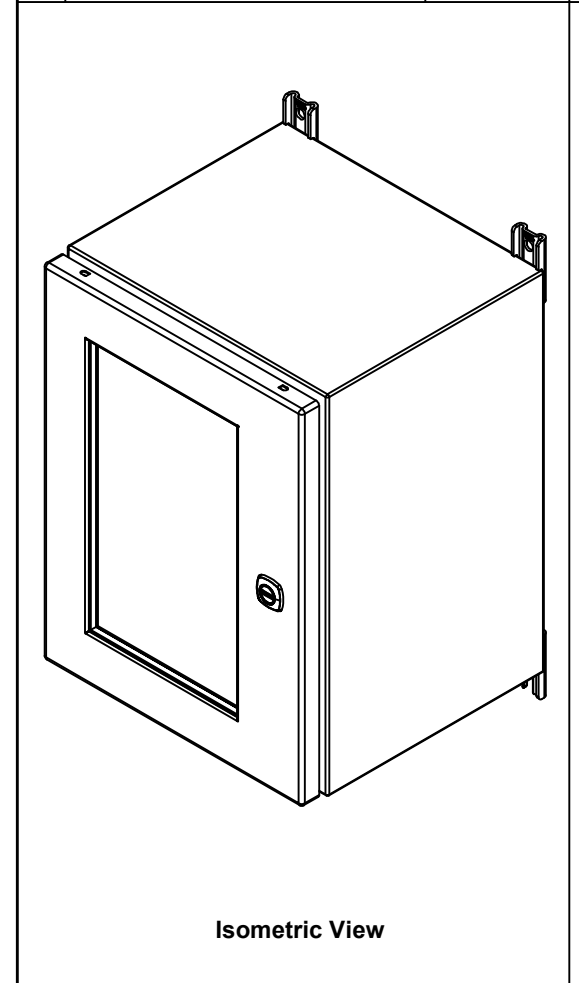


RIGHT




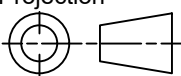
BOTTOM

| No. | Revisions | Date | By/Par |
|-----|-----------|------|--------|
| | | | |
| | | | |
| | | | |
| | | | |



Isometric View



| | | |
|--|---|---|
|  Tél: (450) 979-4373 Fax: (450) 979-4626 www.exmweb.com | | Flatness Aplatissement Max 3.0mm Projection  |
| Customer Client | Date | |
| Drawn By Dessiné Par | BoxCad: BoxCad | Date 20-Mar-23 |
| Material Matière | 16 Ga Cold Rolled A1008 CS Type B (1.4mm) | |
| Color Couleur | Asa-61 Grey | Finish Fini Smooth |
| Description 5412ESW 16" x 12" x 10" Assembly | | Detail Rev. |
| Part Number Numéro Pièce | Rev. 0 | 1 15 |

SEE BILL OF MATERIAL ON LAST PAGE

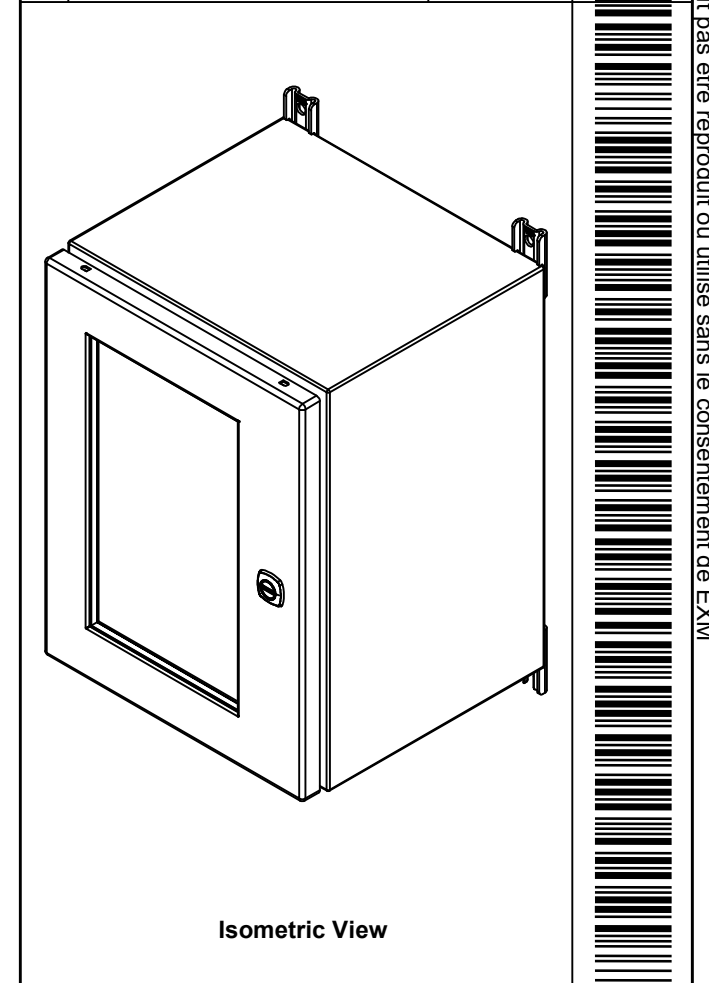
5412ESW161210THNOIP


This drawing is confidential and must not be reproduced or used without the consent of EXM

Ce dessin est confidentiel et ne doit pas être reproduit ou utilisé sans le consentement de EXM

| NOTE | |
|------|---|
| ITEM | DESCRIPTION |
| 1 | NEMA 4/12 Enclosure |
| 2 | C/W Standard ground studs on box and cover |
| 3 | W/O Standard door stiffener |
| 4 | W/O Inner panel |
| 5 | C/W Standard inner panel mounting studs |
| 6 | C/W 885 ESMF3_OPEN Sold separately (Installed) |
| 7 | C/W 885 ESMF3_CLOSE Sold separately (Installed) |
| 8 | C/W R5 Insulation (Installed by EXM) |

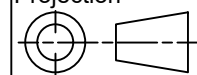
| No. | Revisions | Date | By/Par |
|-----|-----------|------|--------|
| | | | |
| | | | |
| | | | |
| | | | |
| | | | |
| | | | |





Tél: (450) 979-4373
Fax: (450) 979-4626
www.exmweb.com

Flatness
Aplatissement
Max 3.0mm

Projection


| | |
|---|----------------|
| Customer Client | Date |
| Drawn By Dessiné Par BoxCad: BoxCad | Date 20-Mar-23 |
| Material Matière 16 Ga Cold Rolled A1008 CS Type B (1.4mm) | |

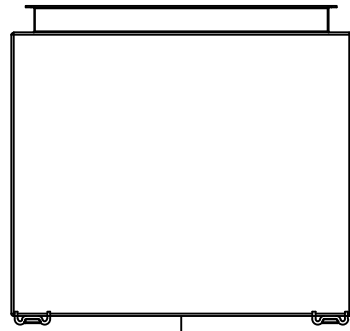
| PACKING | | |
|-----------------------|-----|--|
| ITEM | QTY | DESCRIPTION |
| Cardboard sleeve | 2 | Top and Bottom |
| Cardboard strip | 2 | Between back of enclosure and inner panel |
| Plastic bag | 1 | To protect cover surface and inside gasket |
| Plastic strap - Black | 2 | To Squeeze the 2 cardboard sleeve together |
| Packaging label | 1 | White label with product number |

| | | | |
|------------|-----------------------|-----|--|
| 4 | STK-Q-00600 | 2 | M12 to M8 Adaptor |
| 1 | STK-K-01800 | 5 | 5412 ES Accessory Kit |
| 1 | 5412ESW161210THNOIP C | 0 | 5412ESW 16" x 12" Cover |
| 1 | 5412ESW161210THNOIP B | 0 | 5412ESW 16" x 12" x 10" Body |
| 2 | STK-Q-04050-08 | 0 | M6 x 8mm Hexagon Socket Head Machine Screw |
| Qty | Part Number | Rev | Description |
| Parts List | | | |

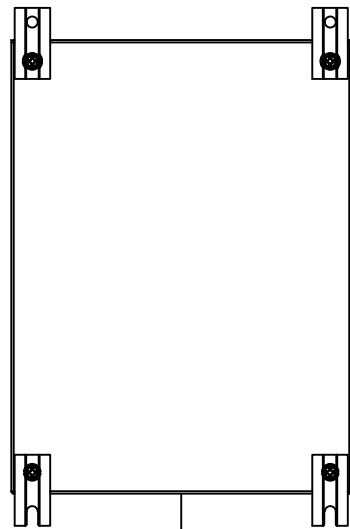
| | | | |
|-----------------------------|----------------------------------|----------------|-------------|
| Color Couleur | Asa-61 Grey | Finish Fini | Smooth |
| Description | 5412ESW 16" x 12" x 10" Assembly | | Detail Rev. |
| Part Number Numéro Pièce | 5412ESW161210THNOIP | | Rev. 2 |
| | | | 0 |
| | | | 15 |

This drawing is confidential and must not be reproduced or used without the consent of EXM

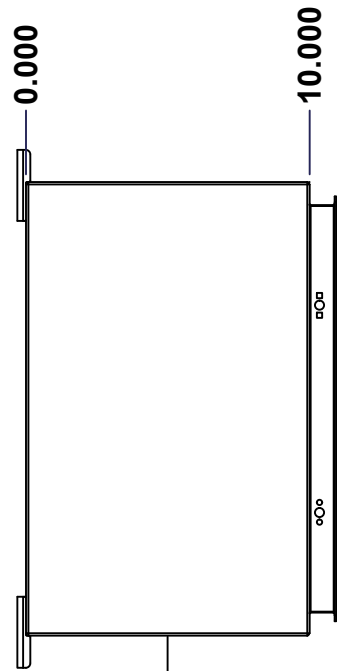
Ce dessin est confidentiel et ne doit pas être reproduit ou utilisé sans le consentement de EXM



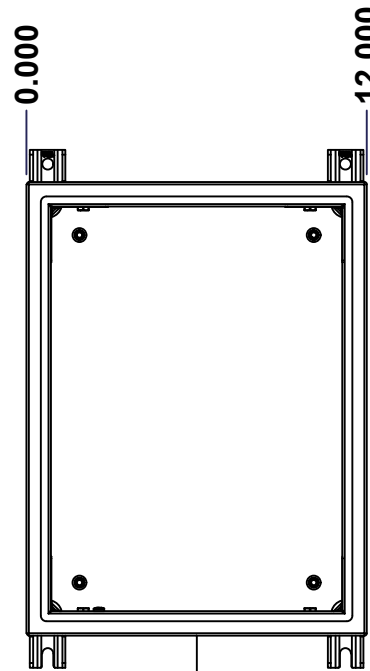
TOP



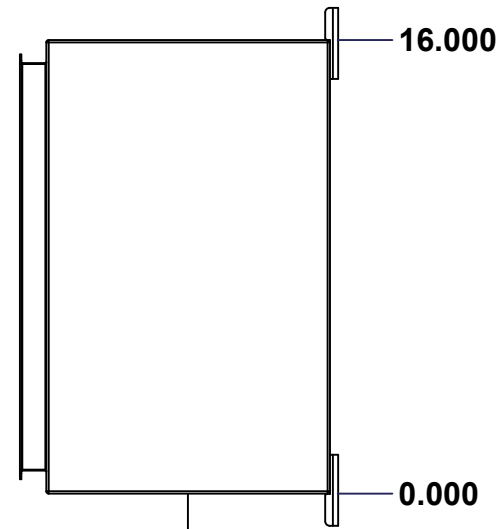
BACK



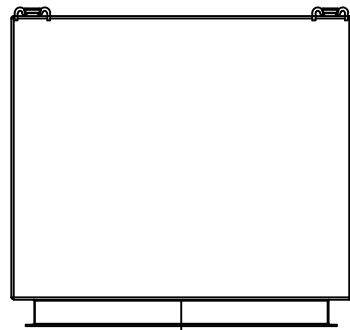
LEFT



FRONT

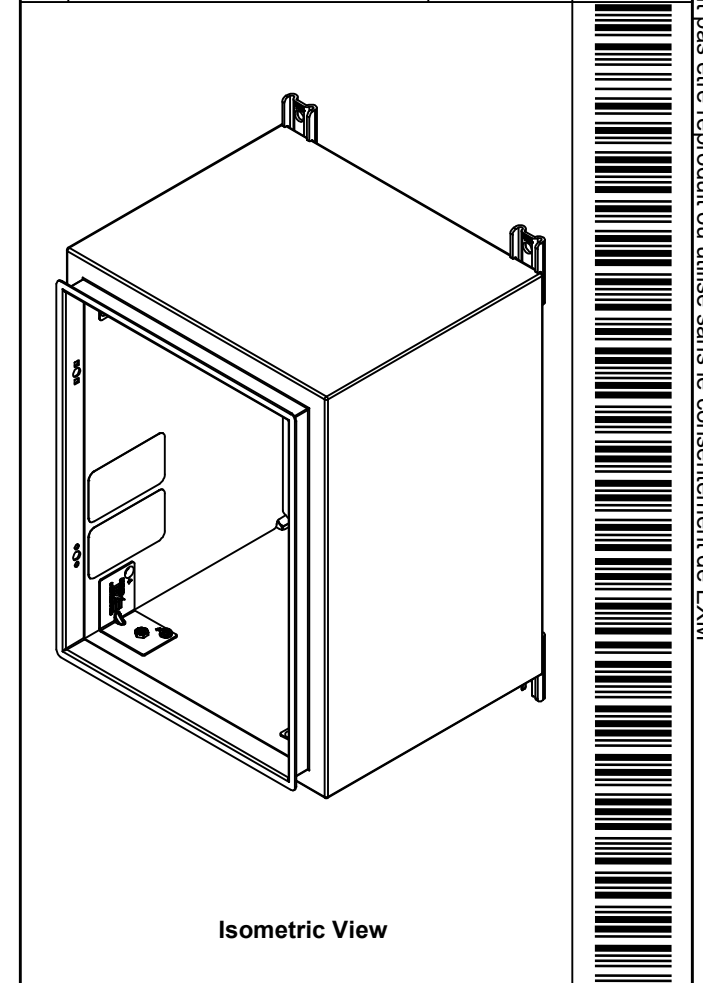


RIGHT



BOTTOM

| No. | Revisions | Date | By/Par |
|-----|-----------|------|--------|
| | | | |
| | | | |
| | | | |
| | | | |



Isometric View

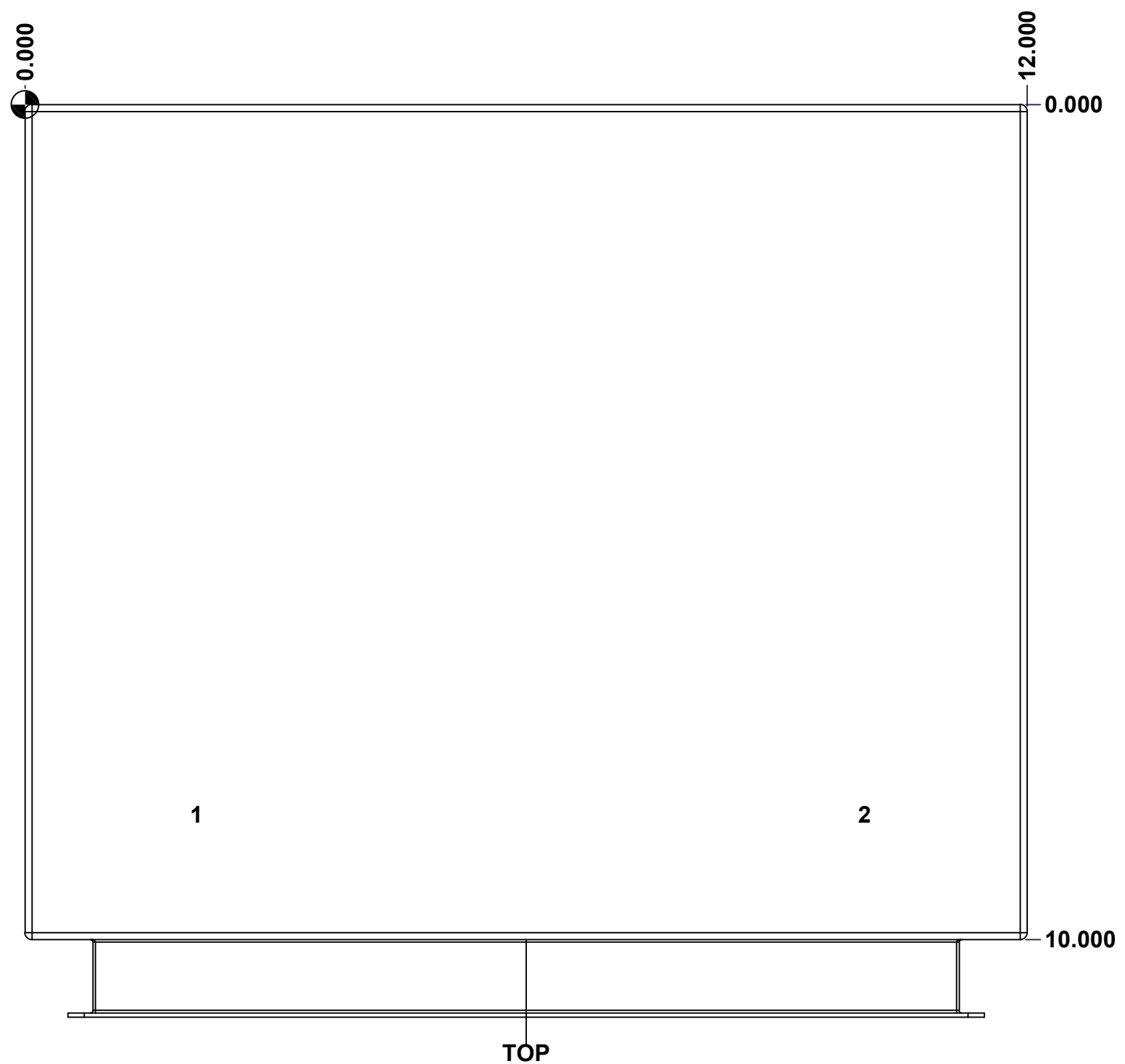
| | | | |
|--|--|---|-------------|
| | | Flatness / Aplatissement Max 3.0mm Projection | |
| Tél: (450) 979-4373 Fax: (450) 979-4626 www.exmweb.com | | Date 20-Mar-23 | |
| Customer Client | | Date | |
| Drawn By / Dessiné Par: BoxCad: BoxCad | | Date: 20-Mar-23 | |
| Material / Matière: 16 Ga Cold Rolled A1008 CS Type B (1.4mm) | | | |
| Color / Couleur: Asa-61 Grey | | Finish / Fini: Smooth | |
| Description: 5412ESW 16" x 12" x 10" Body | | | Detail Rev. |
| Part Number / Numéro Pièce: 5412ESW161210THNOIPB | | Rev.: 0 | 3 / 15 |

SEE BILL OF MATERIAL ON LAST PAGE

This drawing is confidential and must not be reproduced or used without the consent of EXM

Ce dessin est confidentiel et ne doit pas être reproduit ou utilisé sans le consentement de EXM

| STANDARD FEATURES ARE NOT LISTED IN THIS HOLE TABLE | | | |
|---|--------|-------|--------------------------------|
| HOLE TABLE - TOP VIEW (CUSTOM FEATURE ONLY) | | | |
| CUT-OUT | XDIM | YDIM | DESCRIPTION |
| 1 | 2.000 | 8.500 | INSUL. STUD M6 x 18mm (Inside) |
| 2 | 10.000 | 8.500 | INSUL. STUD M6 x 18mm (Inside) |

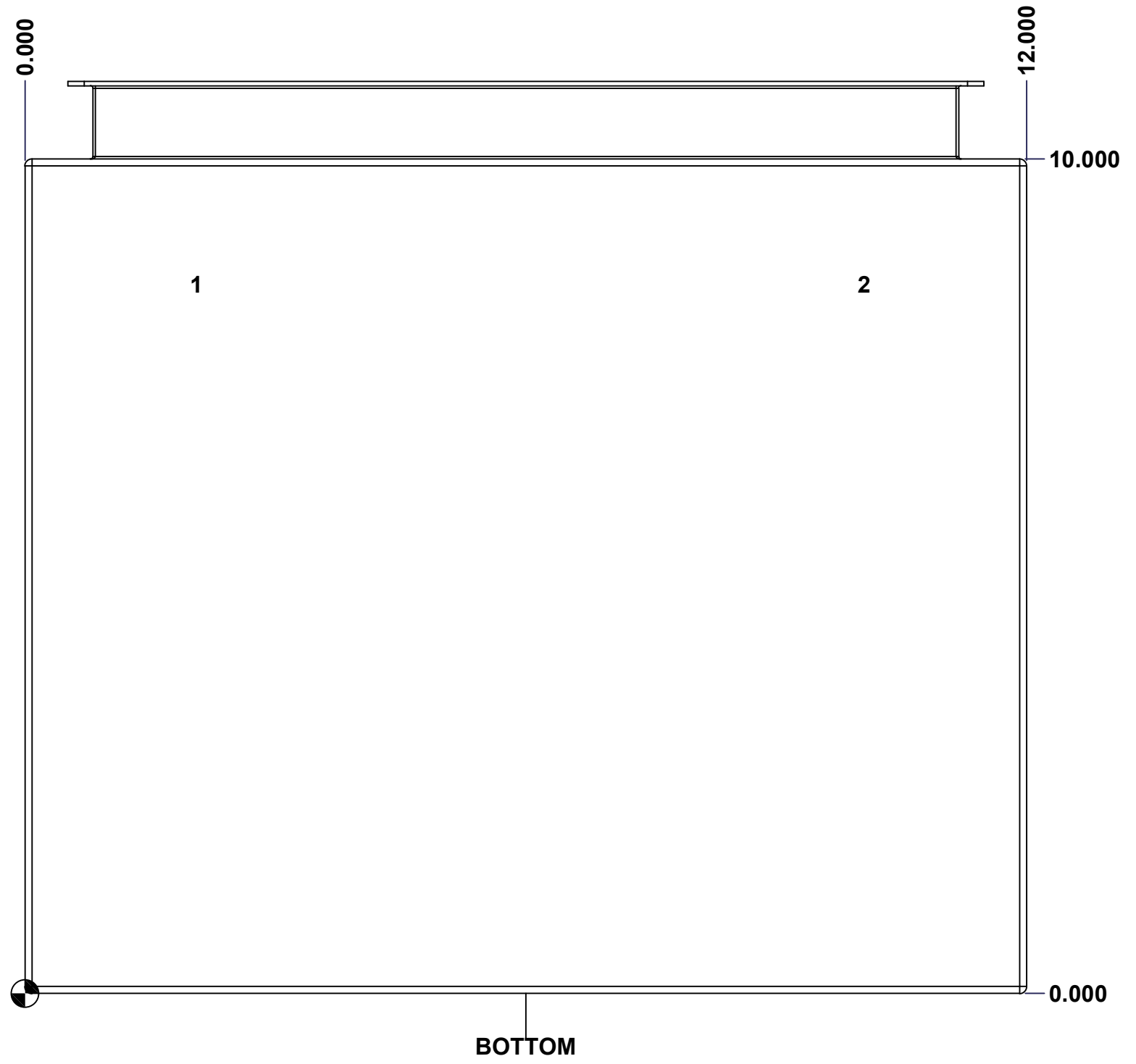


| | | |
|--|------------------------------|----------|
| | Description | Status |
| | 5412ESW 16" x 12" x 10" Body | (NULL) |
| | Part Number Numéro Pièce | Rev. |
| | 5412ESW161210THNOIPB | 0 |
| | | 4 |
| | | 15 |

This drawing is confidential and must not be reproduced or used without the consent of EXM

Ce dessin est confidentiel et ne doit pas être reproduit ou utilisé sans le consentement de EXM

| STANDARD FEATURES ARE NOT LISTED IN THIS HOLE TABLE | | | |
|--|--------|-------|--------------------------------|
| HOLE TABLE - BOTTOM VIEW (CUSTOM FEATURE ONLY) | | | |
| CUT-OUT | XDIM | YDIM | DESCRIPTION |
| 1 | 2.000 | 8.500 | INSUL. STUD M6 x 18mm (Inside) |
| 2 | 10.000 | 8.500 | INSUL. STUD M6 x 18mm (Inside) |



| | | |
|--|------------------------------|----------|
| | Description | Status |
| | 5412ESW 16" x 12" x 10" Body | (NULL) |
| | Part Number Numéro Pièce | Rev. |
| | 5412ESW161210THNOIPB | 0 |
| | | 5 |
| | | 15 |

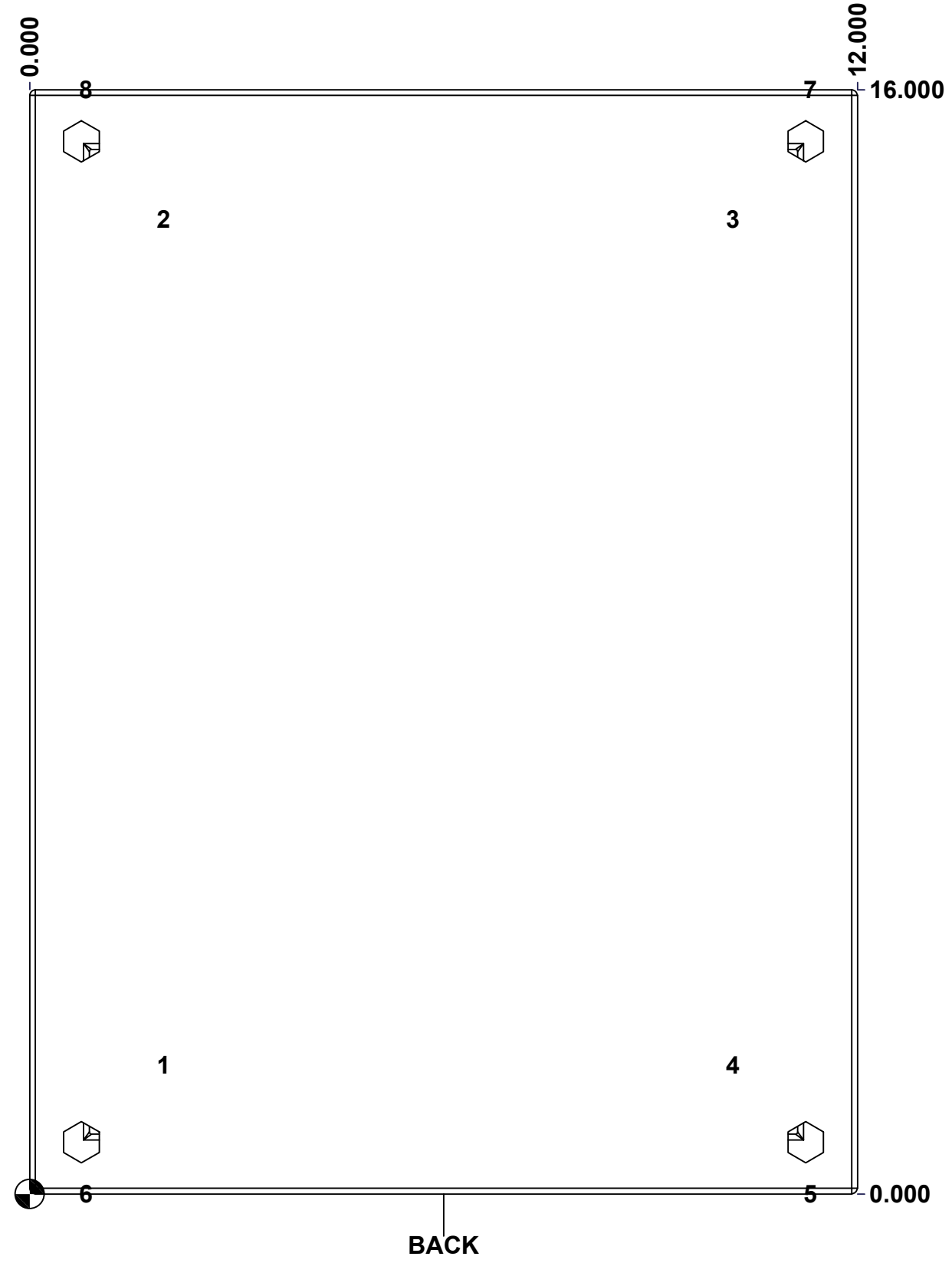
This drawing is confidential and must not be reproduced or used without the consent of EXM

Ce dessin est confidentiel et ne doit pas être reproduit ou utilisé sans le consentement de EXM

STANDARD FEATURES ARE NOT LISTED IN THIS HOLE TABLE

HOLE TABLE - BACK VIEW (CUSTOM FEATURE ONLY)

| CUT-OUT | XDIM | YDIM | DESCRIPTION |
|---------|--------|--------|----------------------------|
| 1 | 1.875 | 1.875 | IP STUD M8 x 35mm (Inside) |
| 2 | 1.875 | 14.125 | IP STUD M8 x 35mm (Inside) |
| 3 | 10.125 | 14.125 | IP STUD M8 x 35mm (Inside) |
| 4 | 10.125 | 1.875 | IP STUD M8 x 35mm (Inside) |
| ----- | | | |
| 5 | 11.250 | 0.000 | FOOT 885 ESMF3_OPEN |
| 6 | 0.750 | 0.000 | FOOT 885 ESMF3_OPEN |
| 7 | 11.250 | 16.000 | FOOT 885 ESMF3_CLOSE |
| 8 | 0.750 | 16.000 | FOOT 885 ESMF3_CLOSE |

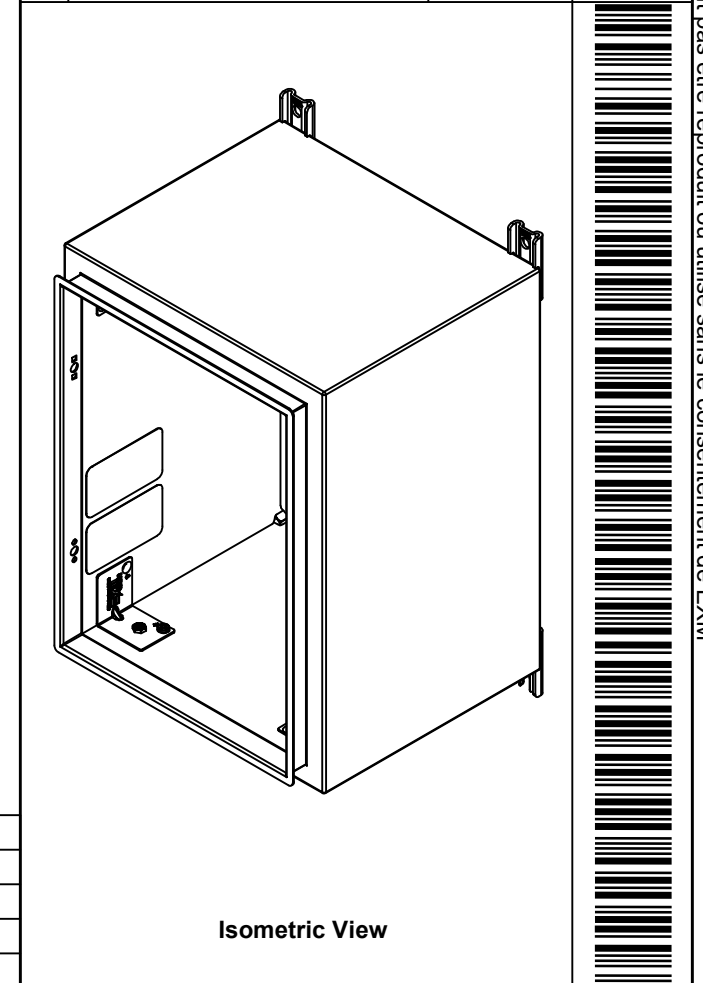


| | | |
|--|------------------------------|--------------|
| | Description | Status |
| | 5412ESW 16" x 12" x 10" Body | (NULL) |
| | Part Number Numéro Pièce | Rev. |
| | 5412ESW161210THNOIPB | 0 / 6 |
| | | 15 |

This drawing is confidential and must not be reproduced or used without the consent of EXM


Ce dessin est confidentiel et ne doit pas être reproduit ou utilisé sans le consentement de EXM

| No. | Revisions | Date | By/Par |
|-----|-----------|------|--------|
| | | | |
| | | | |
| | | | |
| | | | |
| | | | |



| | | | |
|---|-------------------------|---|---|
| 2 | 885ESMF3-FEET | 0 | 885 ESMF3 Mounting Foot |
| 4 | RIVET_NUT_M10_FH_CE | 0 | Rivet Nut M10 (Low Profile Close End) |
| 4 | STK-Q-06660 | 2 | M10 x 16mm Machine Screw |
| 2 | 885ESMF3-FEET-A | 0 | 885 ESMF3 Mounting Foot (Opened Slot) |
| 2 | STK-S-00100 | 0 | 3.5" x 2" Silver Milar Flexcon Sticker |
| 1 | STK-K-70554 | 3 | 5412 ESTH Accessory Kit |
| 1 | 5412ESW161210THNOIPI-RS | 0 | 5412ESW 16" x 12" Right Insulation |
| 1 | 5412ESW161210THNOIPI-LS | 0 | 5412ESW 16" x 12" Left Insulation |
| 1 | 5412ESW161210THNOIPI-BT | 0 | 5412ESW 16" x 12" Top and Bottom Insulation |
| 1 | 5412ESW161210THNOIPI-TP | 0 | 5412ESW 16" x 12" Top and Bottom Insulation |
| 1 | 5412ESW161210THNOIPI-B | 0 | 5412ESW 16" x 12" Back Insulation |
| 4 | STK-Q-16055 | 1 | M6 x 18mm Stud (No Paint Cap Required) |
| 1 | STK-P-02400S | 0 | Powder Paint (Asa-61 Grey / Smooth) |
| 4 | STK-Q-16005 | 1 | Stud M8 x 35 (No Paint Cap Required) |
| 1 | 5412ESW161210THNOIPB-P | 0 | 5412ESW 16" x 12" x 10" Body Part |

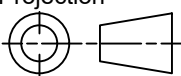
| Qty | Part Number | Rev | Description |
|------------|-------------|-----|-------------|
| Parts List | | | |



Tél: (450) 979-4373
Fax: (450) 979-4626
www.exmweb.com

Flatness
Aplatissement
Max 3.0mm

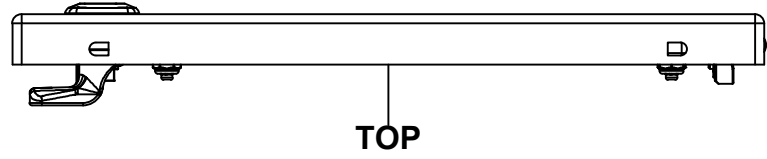
Projection



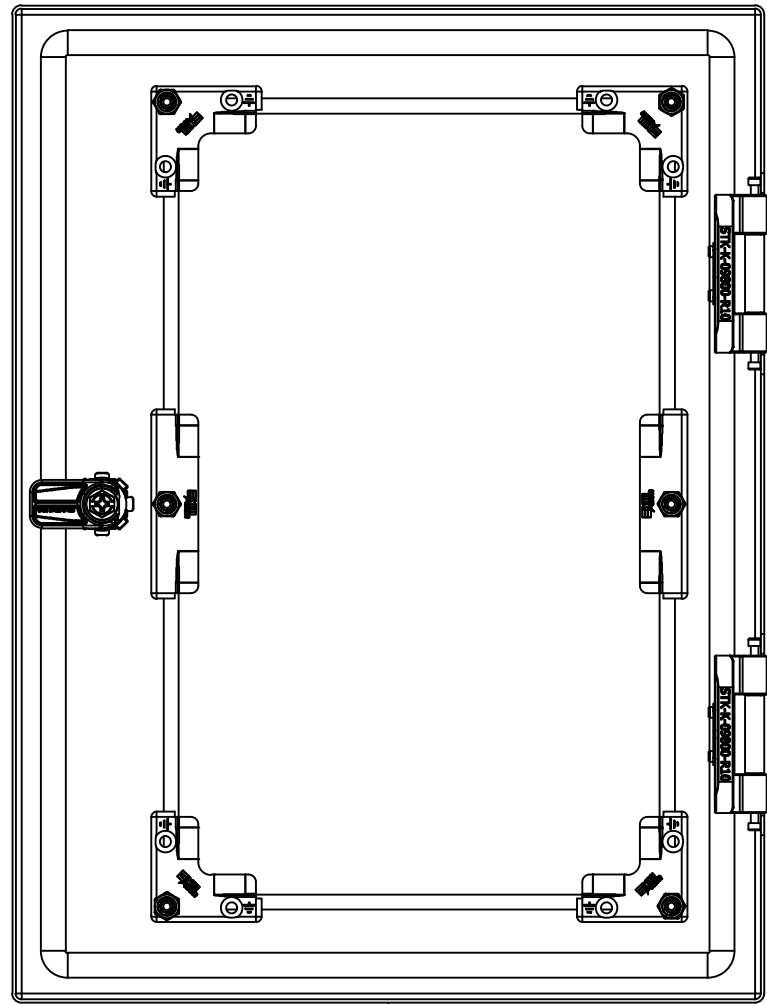
| | | |
|---|----------------|-----------------------|
| Customer Client | | Date |
| Drawn By Dessiné Par | BoxCad: BoxCad | Date 20-Mar-23 |
| Material Matière 16 Ga Cold Rolled A1008 CS Type B (1.4mm) | | |
| Color Couleur | Asa-61 Grey | Finish Fini Smooth |
| Description 5412ESW 16" x 12" x 10" Body | | Detail Rev. |
| Part Number Numéro Pièce 5412ESW161210THNOIPB | | Rev. 0 |

This drawing is confidential and must not be reproduced or used without the consent of EXM

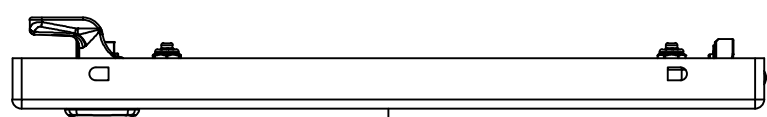
Ce dessin est confidentiel et ne doit pas être reproduit ou utilisé sans le consentement de EXM



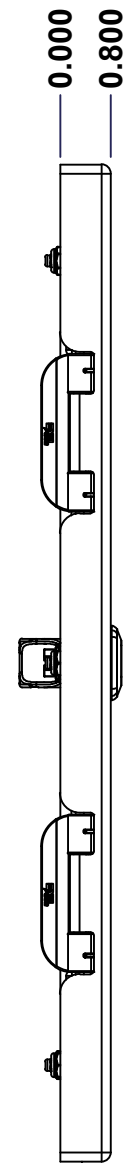
TOP



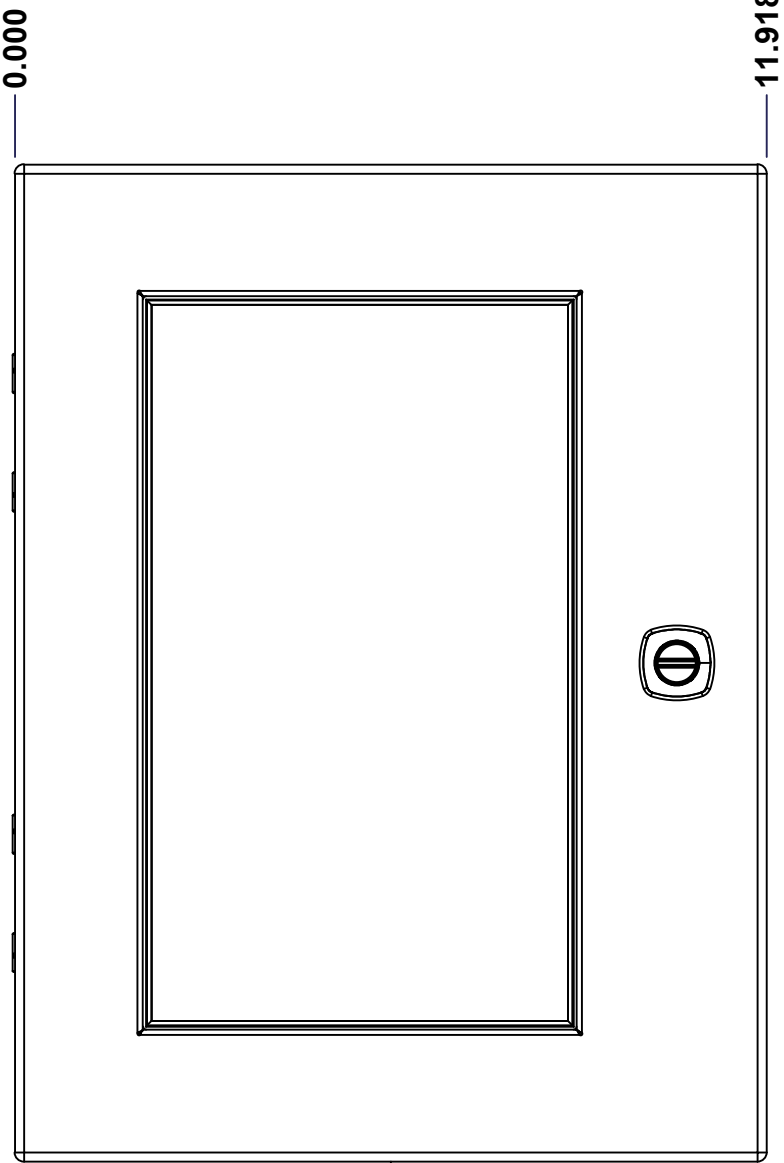
BACK



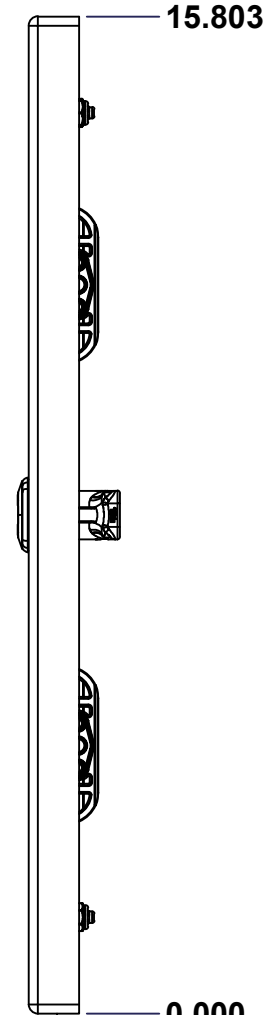
BOTTOM



LEFT

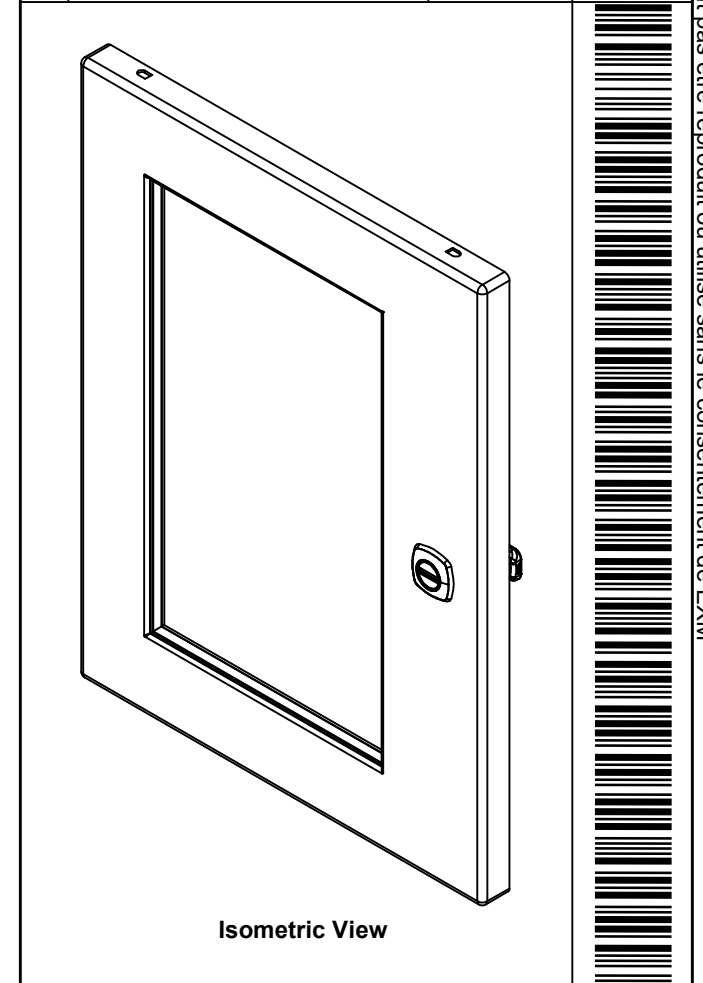


FRONT



RIGHT

| No. | Revisions | Date | By/Par |
|-----|-----------|------|--------|
| | | | |
| | | | |
| | | | |
| | | | |
| | | | |



Isometric View



| | | |
|--|---|--|
| Tél: (450) 979-4373 Fax: (450) 979-4626 www.exmweb.com | | Flatness Aplatissement Max 3.0mm Projection |
| Customer Client | Date | |
| Drawn By Dessiné Par | BoxCad: BoxCad | Date 20-Mar-23 |
| Material Matière | 16 Ga Cold Rolled A1008 CS Type B (1.4mm) | |
| Color Couleur | Asa-61 Grey | Finish Fini Smooth |
| Description 5412ESW 16" x 12" Cover | | Detail Rev. |
| Part Number Numéro Pièce | Rev. 0 | 8 15 |

SEE BILL OF MATERIAL ON LAST PAGE **5412ESW161210THNOIPC**

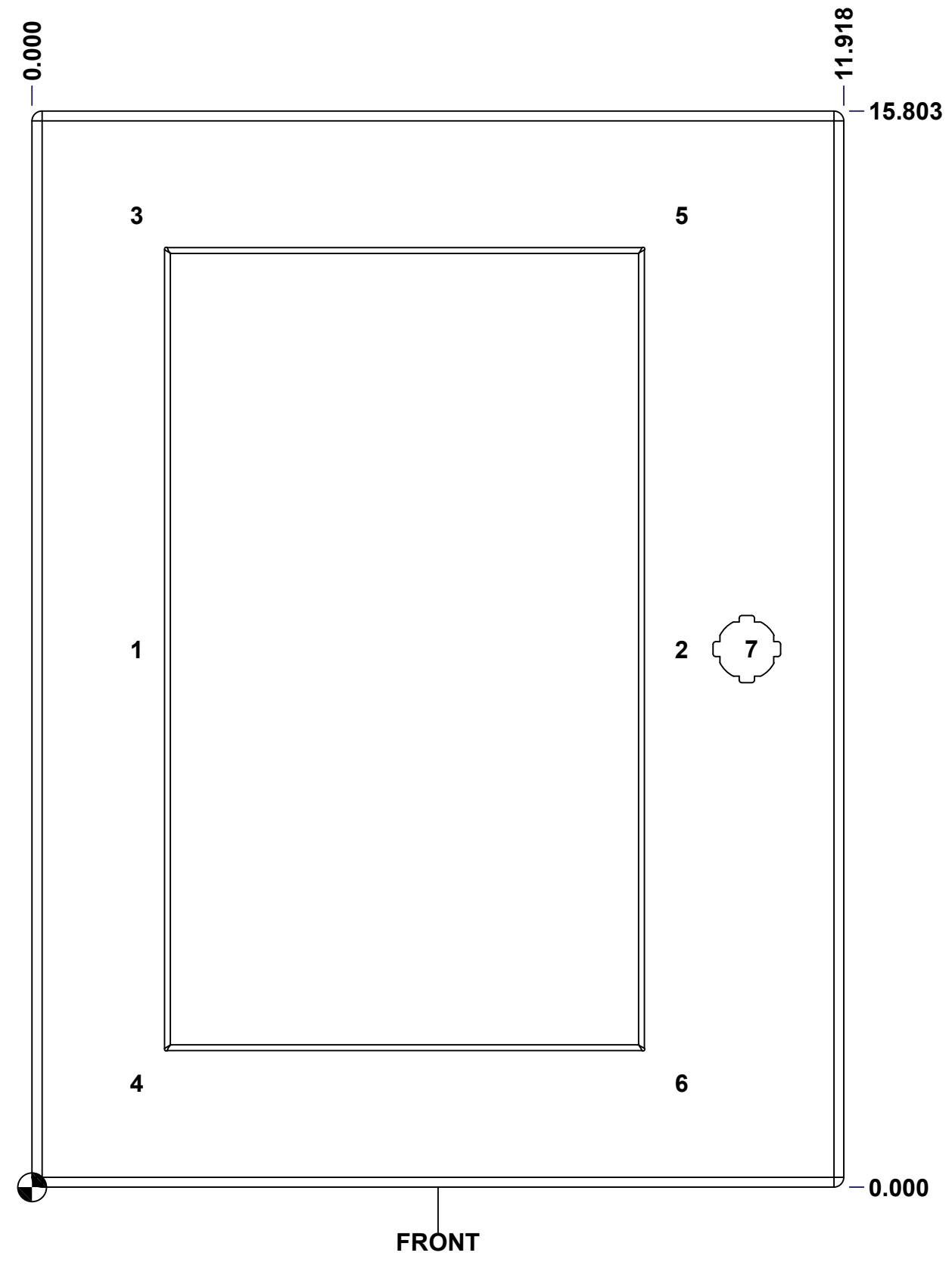
This drawing is confidential and must not be reproduced or used without the consent of EXM

Ce dessin est confidentiel et ne doit pas être reproduit ou utilisé sans le consentement de EXM

STANDARD FEATURES ARE NOT LISTED IN THIS HOLE TABLE

HOLE TABLE - FRONT VIEW (CUSTOM FEATURE ONLY)

| CUT-OUT | XDIM | YDIM | DESCRIPTION |
|---------|--------|--------|-------------------------|
| 1 | 1.469 | 7.902 | STUD M6 x 18mm (Inside) |
| 2 | 9.468 | 7.902 | STUD M6 x 18mm (Inside) |
| 3 | 1.469 | 14.276 | STUD M6 x 18mm (Inside) |
| 4 | 1.469 | 1.527 | STUD M6 x 18mm (Inside) |
| 5 | 9.468 | 14.276 | STUD M6 x 18mm (Inside) |
| 6 | 9.468 | 1.527 | STUD M6 x 18mm (Inside) |
| ----- | ----- | ----- | ----- |
| 7 | 10.494 | 7.902 | 880 SCQ4-SL |

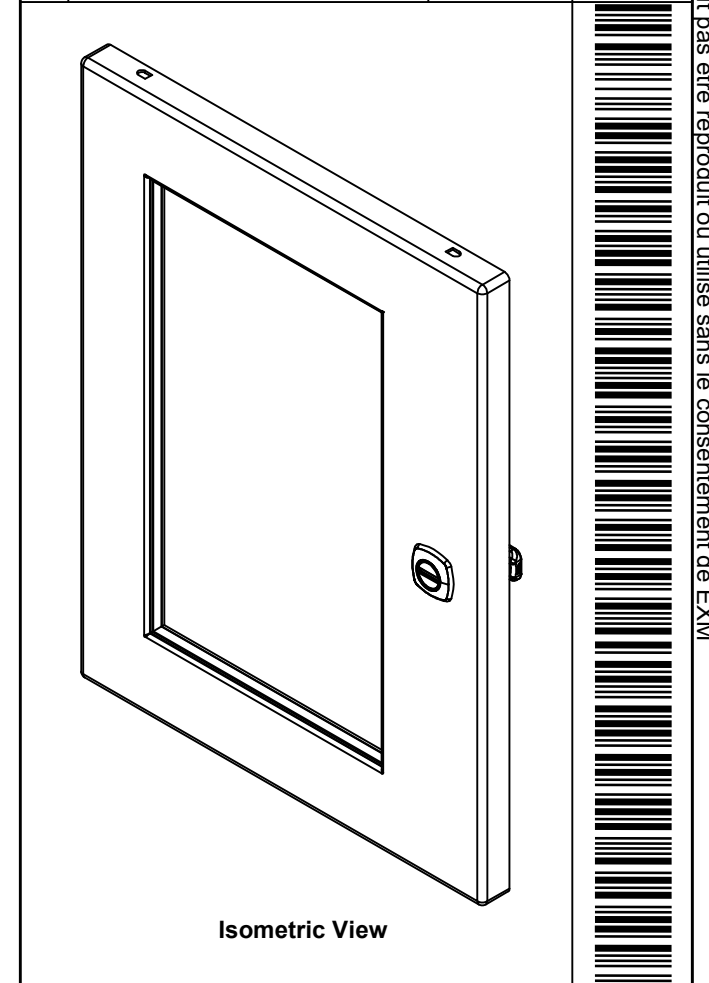


| | | |
|--|-------------------------|--------|
| | Description | Status |
| | 5412ESW 16" x 12" Cover | (NULL) |
| Part Number Numéro Pièce 5412ESW161210THNOIPC | Rev. | 9 |
| | 0 | 15 |

This drawing is confidential and must not be reproduced or used without the consent of EXM

Ce dessin est confidentiel et ne doit pas être reproduit ou utilisé sans le consentement de EXM

| No. | Revisions | Date | By/Par |
|-----|-----------|------|--------|
| | | | |
| | | | |
| | | | |
| | | | |
| | | | |

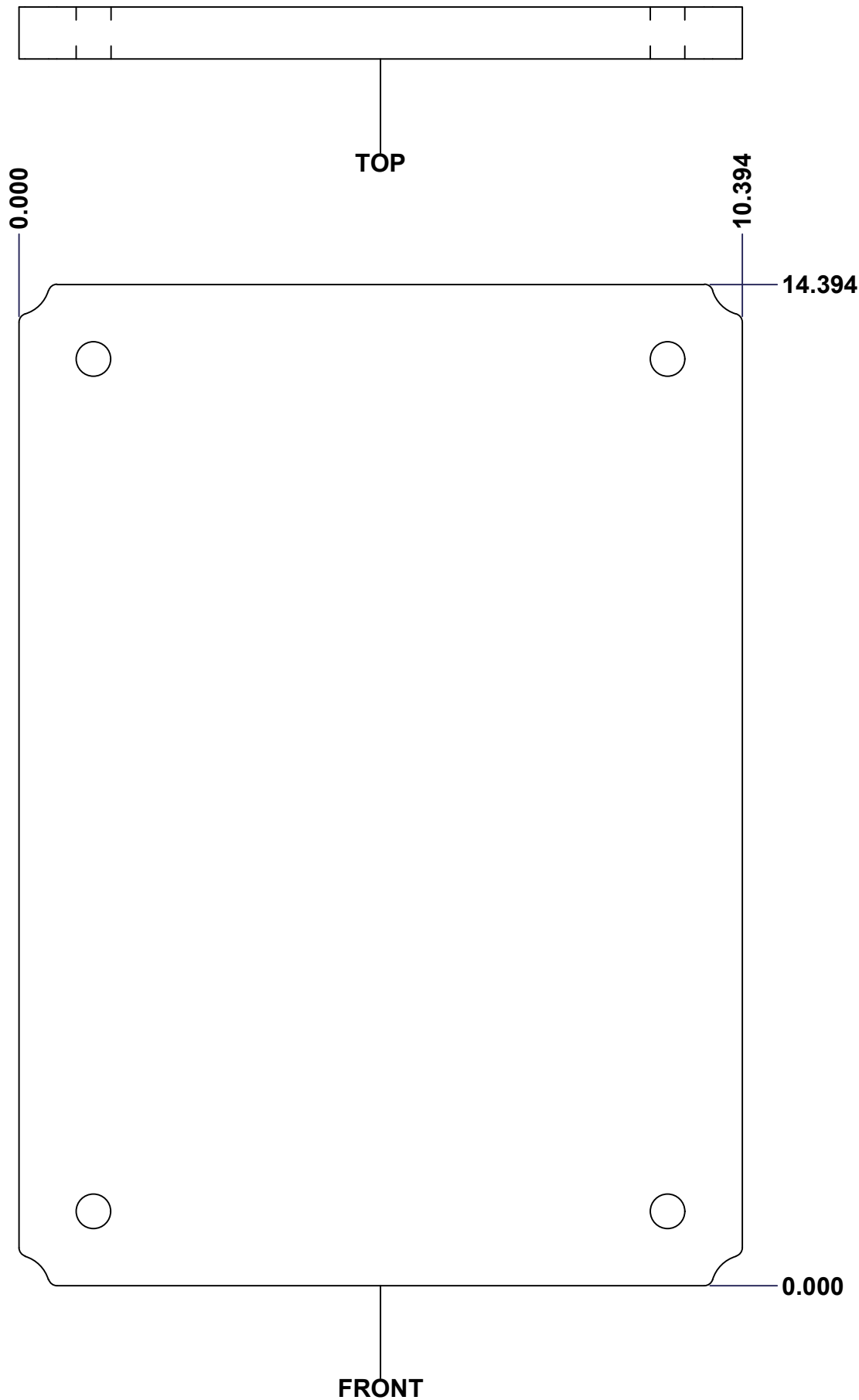


| | | | |
|------------|-------------------------|-----|---|
| 1 | STK-K-12500 | 16 | 5412 ES 1/4 Turn Lock |
| 1 | STK-P-02400S | 0 | Powder Paint (Asa-61 Grey / Smooth) |
| 2 | STK-Q-60701 | 2.1 | 880 WK - Lexan 1/4" Fixing Bracket |
| 1 | STK-A-60703 | 0 | 5412 ESW Lexan Bracket Kit |
| 6 | STK-Q-16052 | 0 | M6 x 23mm Stud (No Paint Cap Required) |
| 1 | STK-G-02710 | 0 | 880 HWKG - Windows Kit Gasket |
| 1 | 5412ESW161210THNOIP LXG | 0 | 5412ESW 16" x 12" Lexan Gasket Part |
| 1 | 5412ESW161210THNOIP LX | 0 | 5412ESW 12.375" x 8.125" Lexan Part |
| 1 | 5412ESW161210THNOIP G | 0 | 5412ESW 16" x 12" Cover Gasket Part |
| 1 | 5412ESW161210THNOIP C-P | 0 | 5412ESW 16" x 12" Cover Part |
| 2 | STK-K-09800 | 10 | 5412 ES Hinge with 2 Captive Hinge Pins |
| QTY | Part Number | Rev | Description |
| Parts List | | | |

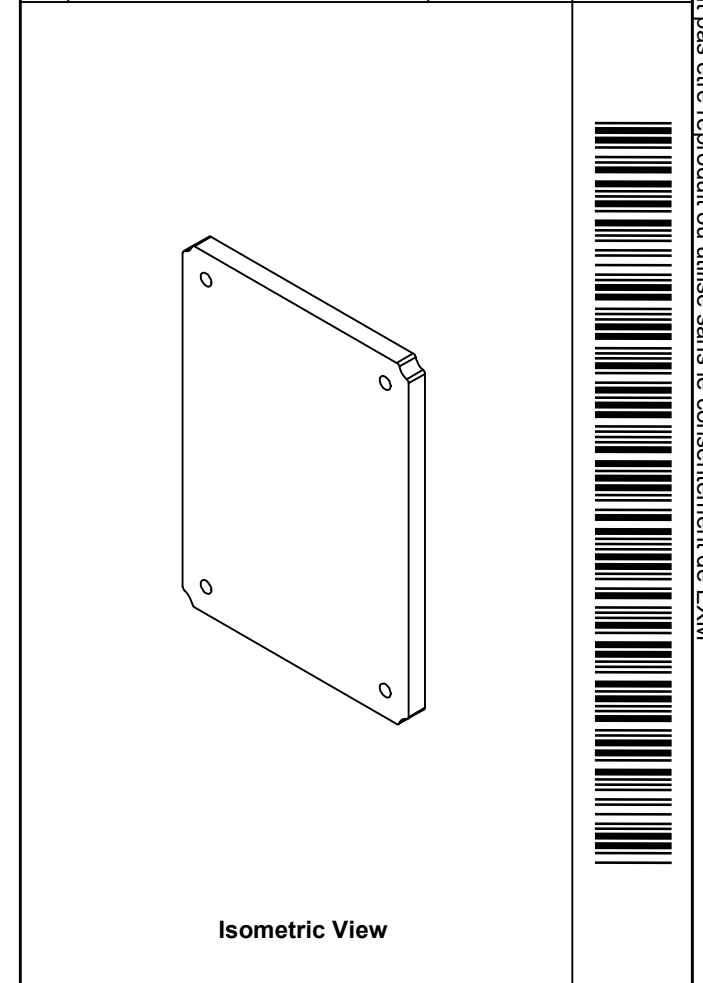
| | | |
|--|---|--|
| Tél: (450) 979-4373 Fax: (450) 979-4626 www.exmweb.com | | Flatness Aplatissement Max 3.0mm Projection |
| Customer Client | Date | |
| Drawn By Dessiné Par | BoxCad: BoxCad | Date 20-Mar-23 |
| Material Matière | 16 Ga Cold Rolled A1008 CS Type B (1.4mm) | |
| Color Couleur | Asa-61 Grey | Finish Fini Smooth |
| Description | | Detail Rev. |
| 5412ESW 16" x 12" Cover | | |
| Part Number Numéro Pièce | Rev. | 10 |
| 5412ESW161210THNOIPC | 0 | 15 |


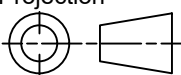
This drawing is confidential and must not be reproduced or used without the consent of EXM

Ce dessin est confidentiel et ne doit pas être reproduit ou utilisé sans le consentement de EXM



| No. | Revisions | Date | By/Par |
|-----|-----------|------|--------|
| | | | |
| | | | |
| | | | |
| | | | |
| | | | |

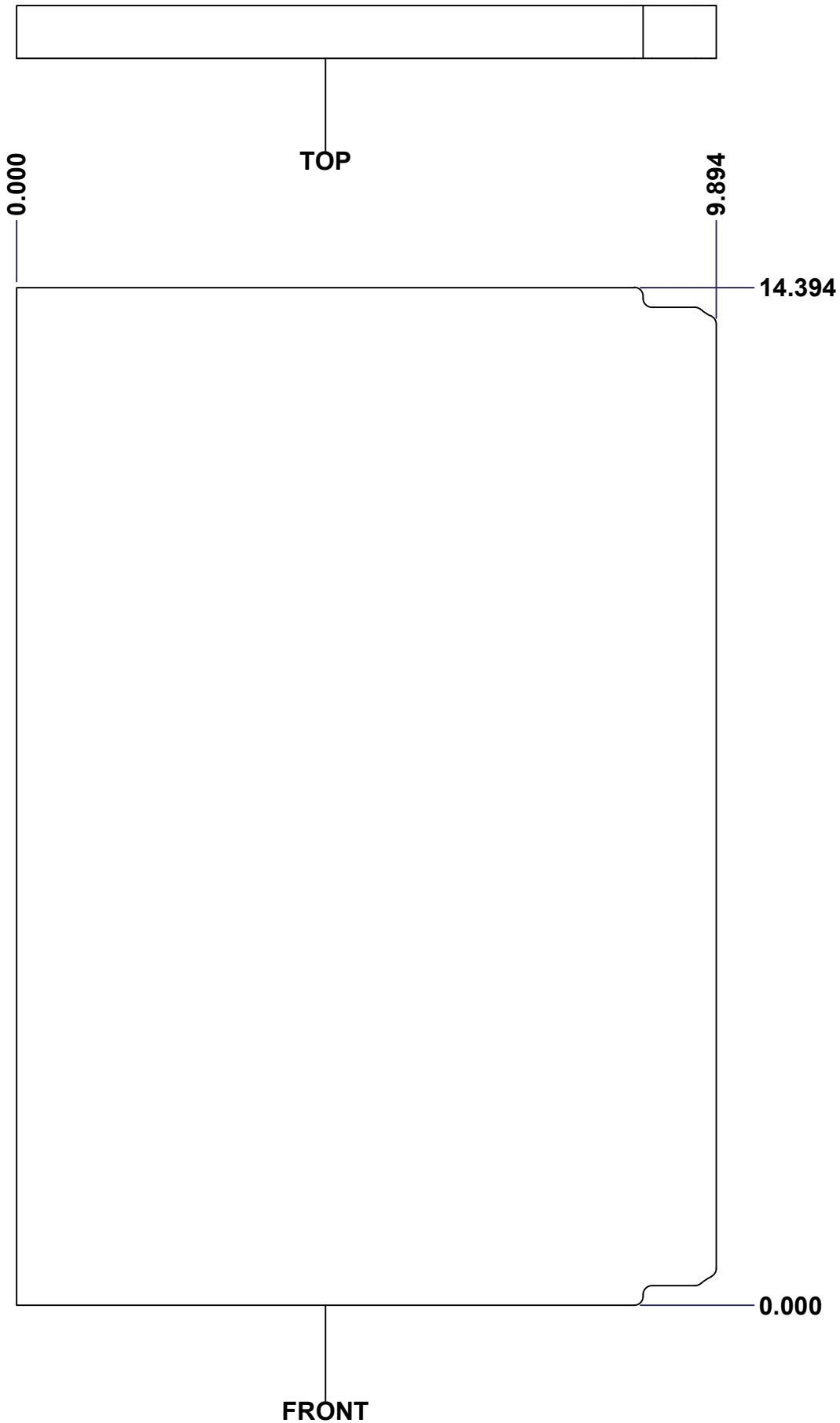


| | | |
|--|---------------------------|---|
|  Tél: (450) 979-4373 Fax: (450) 979-4626 www.exmweb.com | | Flatness Aplatissement Max 3.0mm Projection  |
| Customer Client | Date | |
| Drawn By Dessiné Par | BoxCad: Patrick Deschenes | Date 23-Jan-07 |
| Material Matière | Polyisocyanurate | |
| Color Couleur | Aluminum | Finish Fini N/A |
| Description | Detail Rev. | |
| 5412ESW 16" x 12" Back Insulation | | |
| Part Number Numéro Pièce | Rev. 0 | 11 / 15 |

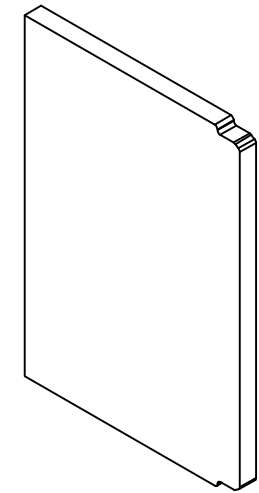
SEE BILL OF MATERIAL ON LAST PAGE 5412ESW161210THNOIPI-B

This drawing is confidential and must not be reproduced or used without the consent of EXM


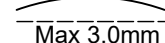
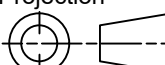
Ce dessin est confidentiel et ne doit pas être reproduit ou utilisé sans le consentement de EXM



| No. | Revisions | Date | By/Par |
|-----|-----------|------|--------|
| | | | |
| | | | |
| | | | |
| | | | |
| | | | |



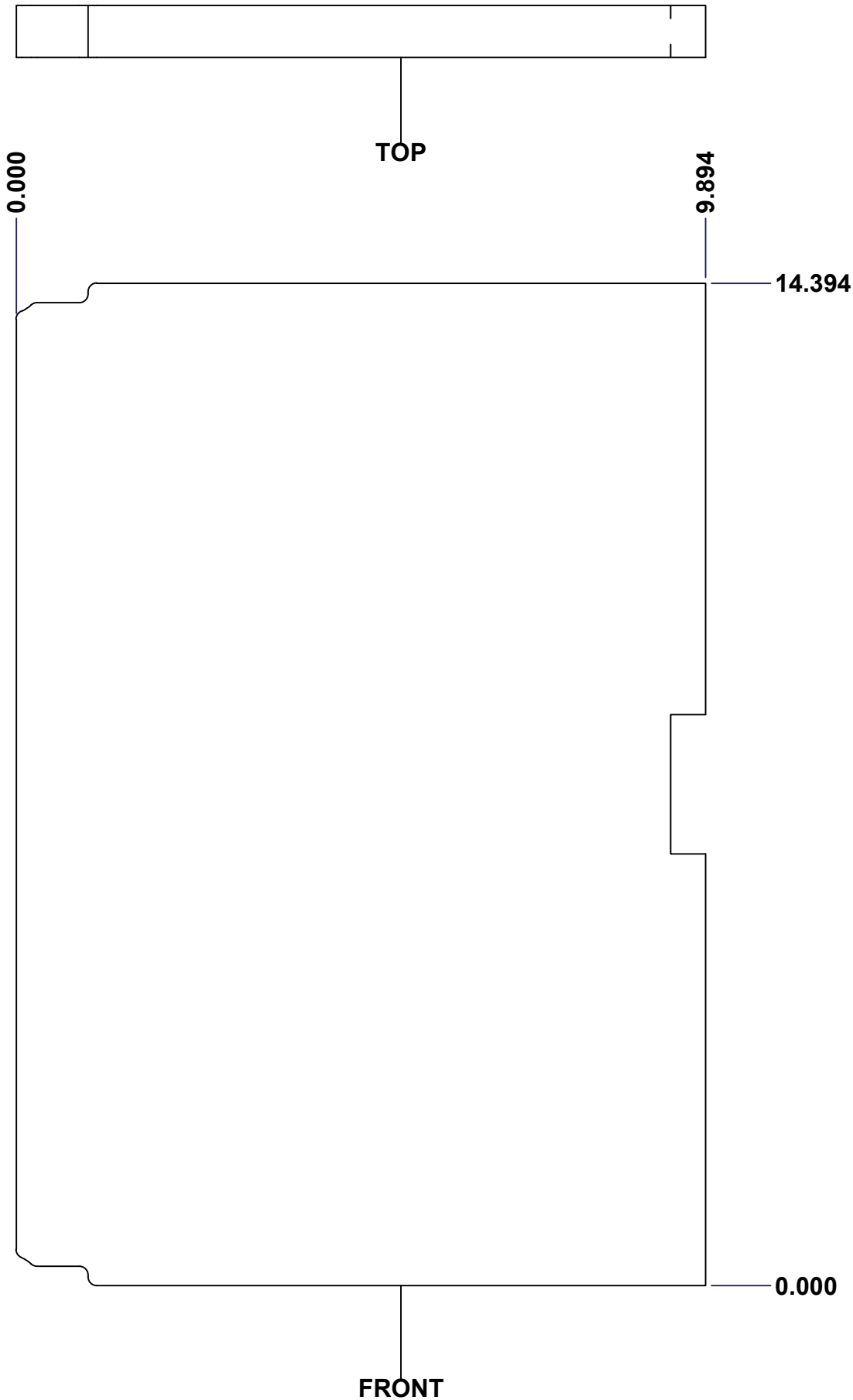
Isometric View

| | | |
|--|---------------------------|---|
|  Tél: (450) 979-4373 Fax: (450) 979-4626 www.exmweb.com | | Flatness Aplatissement  Max 3.0mm |
| Projection  | | Date 23-Jan-07 |
| Customer Client | Date | |
| Drawn By Dessiné Par | BoxCad: Patrick Deschenes | Date 23-Jan-07 |
| Material Matière | Polyisocyanurate | |
| Color Couleur | Aluminum | Finish Fini N/A |
| Description | Detail Rev. | |
| 5412ESW 16" x 12" Left Insulation | | |
| Part Number Numéro Pièce | Rev. | 12 |
| 5412ESW161210THNOIPI-LS | 0 | 15 |

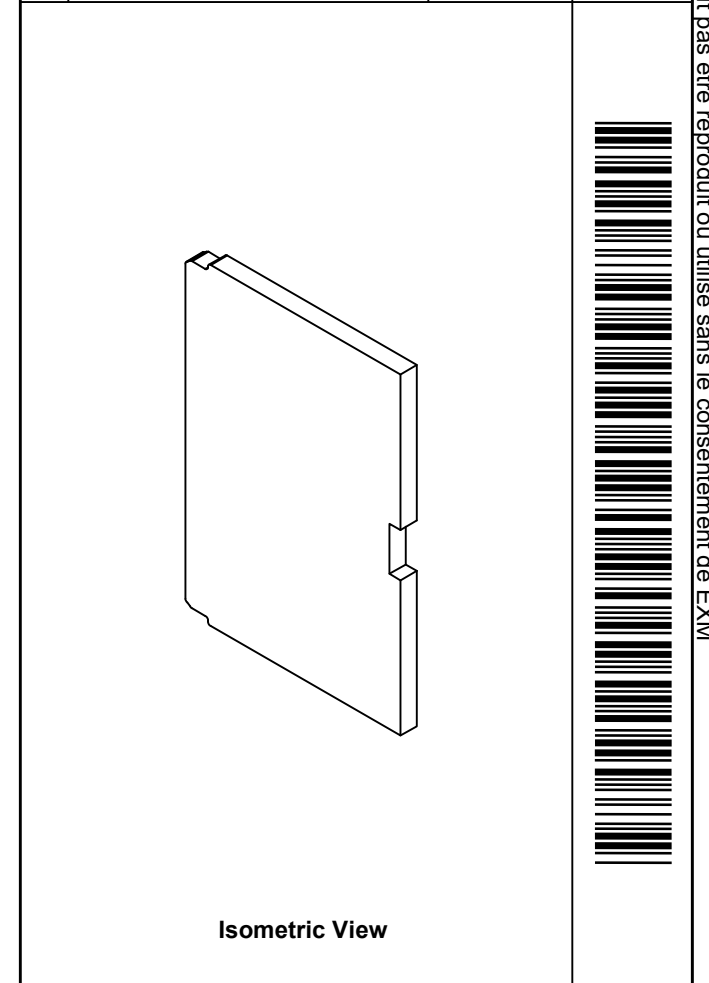
SEE BILL OF MATERIAL ON LAST PAGE


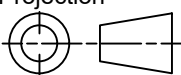
This drawing is confidential and must not be reproduced or used without the consent of EXM

Ce dessin est confidentiel et ne doit pas être reproduit ou utilisé sans le consentement de EXM



| No. | Revisions | Date | By/Par |
|-----|-----------|------|--------|
| | | | |
| | | | |
| | | | |
| | | | |
| | | | |

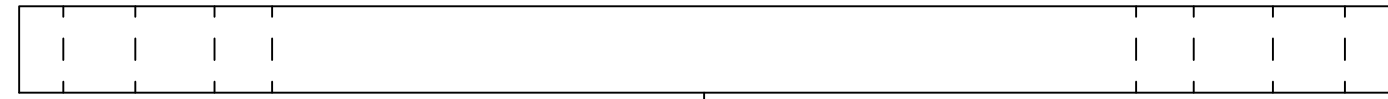


| | | |
|--|---------------------------|--|
|  Tél: (450) 979-4373 Fax: (450) 979-4626 www.exmweb.com | | Flatness Aplatissement Max 3.0mm |
| Projection  | | Date 23-Jan-07 |
| Customer Client | Date | |
| Drawn By Dessiné Par | BoxCad: Patrick Deschenes | Date 23-Jan-07 |
| Material Matière | Polyisocyanurate | |
| Color Couleur | Aluminum | Finish Fini N/A |
| Description | Detail Rev. | |
| 5412ESW 16" x 12" Right Insulation | | |
| Part Number Numéro Pièce | Rev. | 13 |
| 5412ESW161210THNOIPI-RS 0 | | 15 |

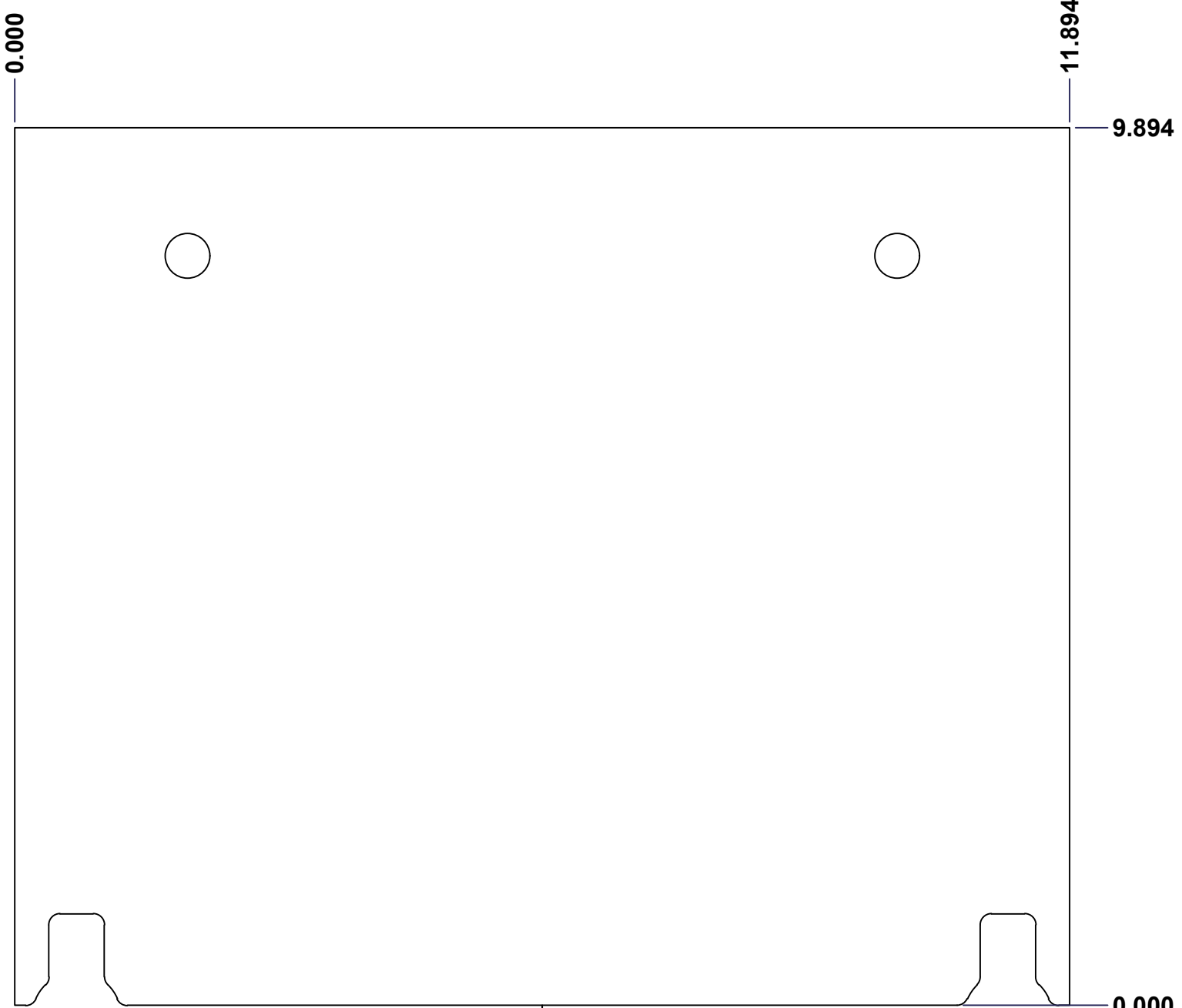
SEE BILL OF MATERIAL ON LAST PAGE

This drawing is confidential and must not be reproduced or used without the consent of EXM

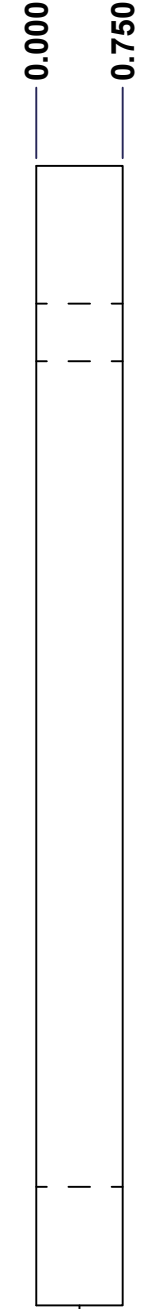
Ce dessin est confidentiel et ne doit pas être reproduit ou utilisé sans le consentement de EXM



TOP

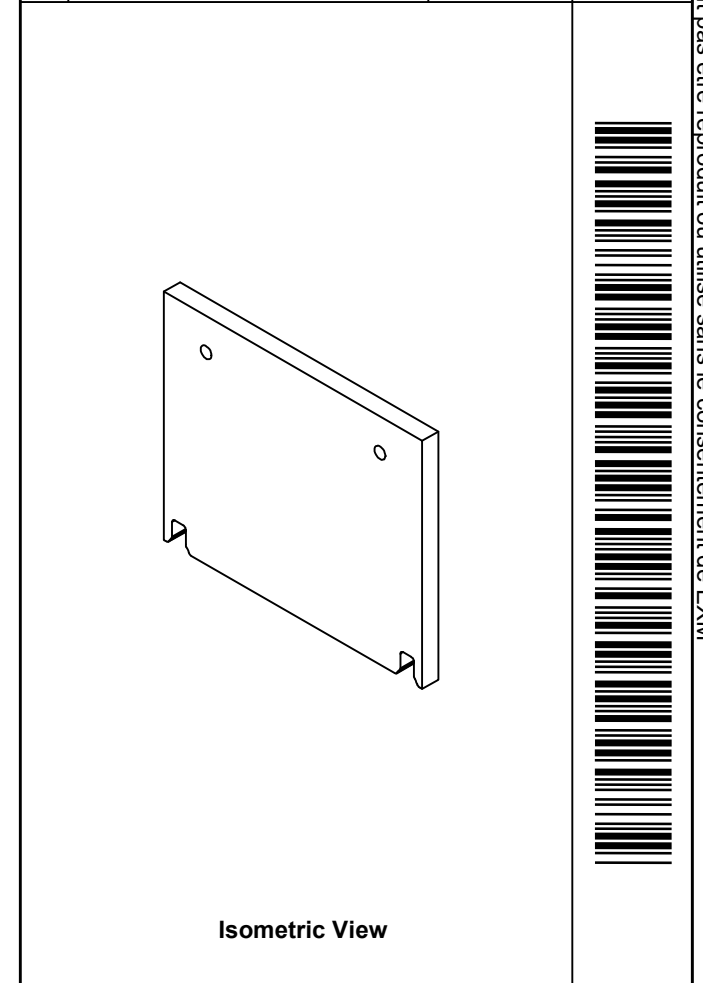



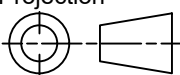
FRONT



RIGHT

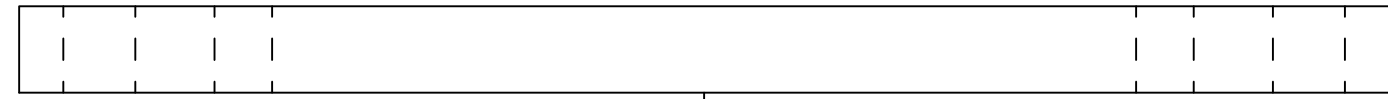
| No. | Revisions | Date | By/Par |
|-----|-----------|------|--------|
| | | | |
| | | | |
| | | | |
| | | | |
| | | | |



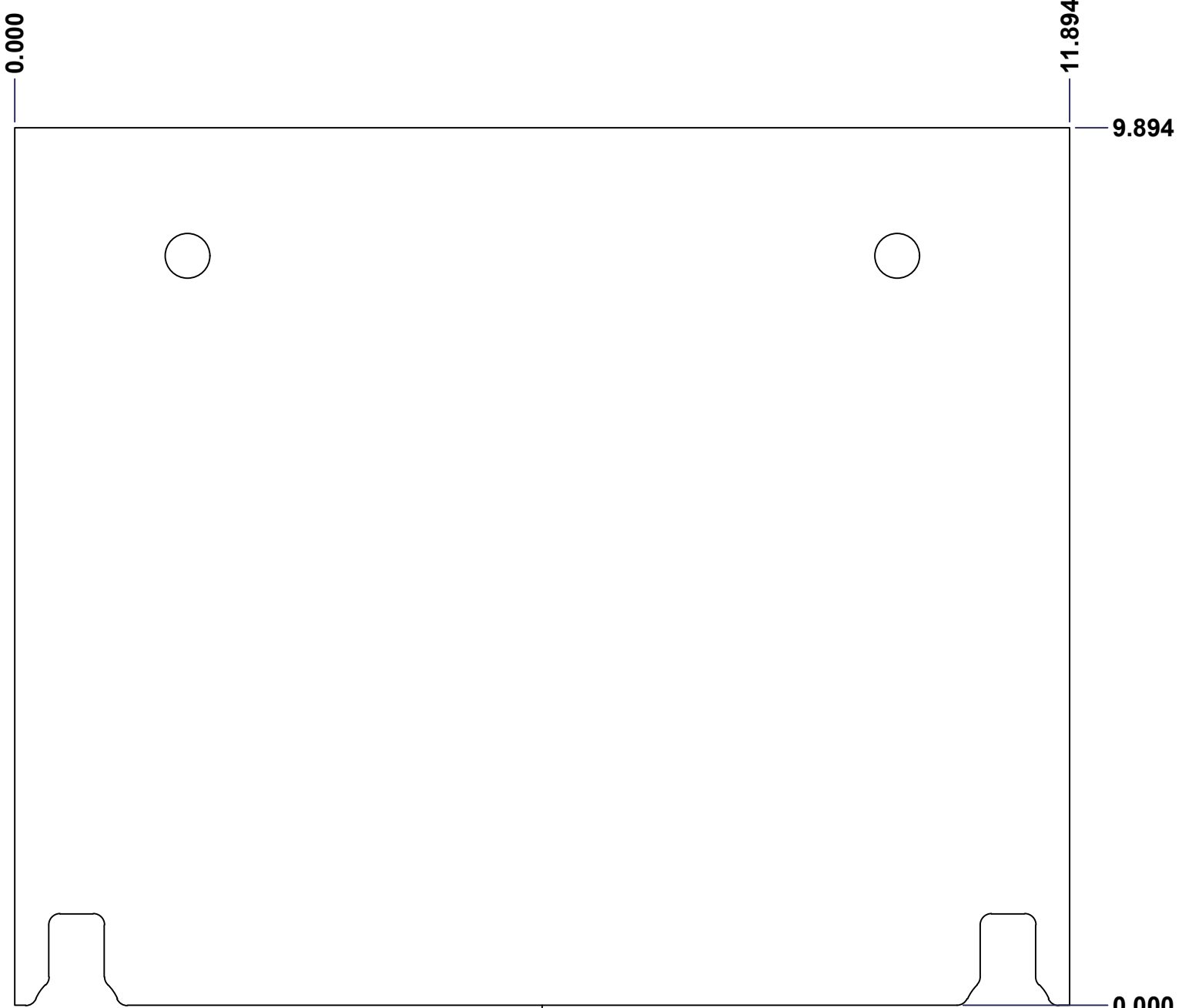
| | |
|--|---|
|  Tél: (450) 979-4373 Fax: (450) 979-4626 www.exmweb.com | Flatness Aplatissement Max 3.0mm |
| | Projection  |
| Customer Client | Date |
| Drawn By Dessiné Par BoxCad: Patrick Deschenes | Date 23-Jan-07 |
| Material Matière Polyisocyanurate | |
| Color Couleur Aluminum | Finish Fini N/A |
| Description 5412ESW 16" x 12" Top and Bottom Insulation | |
| Detail Rev. | |
| Part Number Numéro Pièce | Rev. 14 |
| SEE BILL OF MATERIAL ON LAST PAGE 5412ESW161210THNOIPI-TP 0 | |

This drawing is confidential and must not be reproduced or used without the consent of EXM

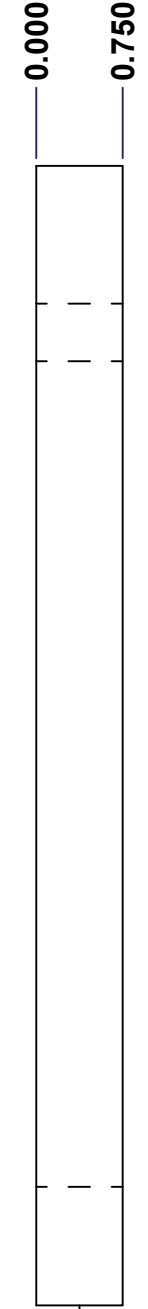
Ce dessin est confidentiel et ne doit pas être reproduit ou utilisé sans le consentement de EXM



TOP

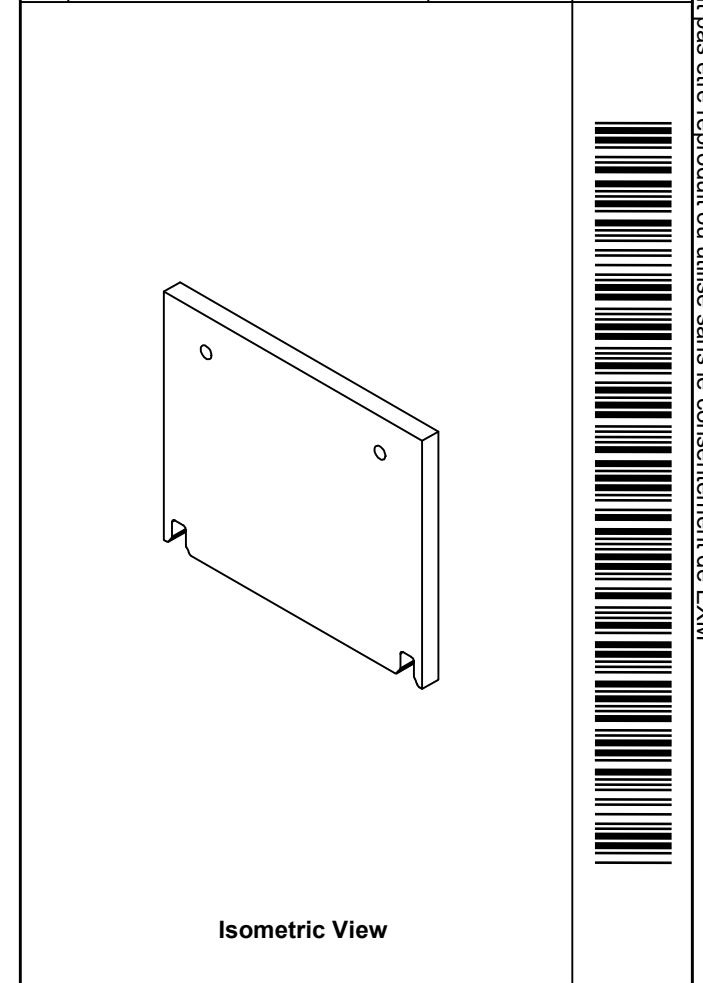



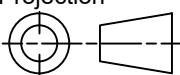
FRONT



RIGHT

| No. | Revisions | Date | By/Par |
|-----|-----------|------|--------|
| | | | |
| | | | |
| | | | |
| | | | |
| | | | |



| | |
|--|---|
|  Tél: (450) 979-4373 Fax: (450) 979-4626 www.exmweb.com | Flatness Aplatissement Max 3.0mm |
| | Projection  |
| Customer Client | Date |
| Drawn By Dessiné Par BoxCad: Patrick Deschenes | Date 23-Jan-07 |
| Material Matière Polyisocyanurate | |
| Color Couleur Aluminum | Finish Fini N/A |
| Description 5412ESW 16" x 12" Top and Bottom Insulation | |
| Detail Rev. | |
| Part Number Numéro Pièce | Rev. 15 |
| SEE BILL OF MATERIAL ON LAST PAGE 5412ESW161210THNOIPI-BT 0 | |