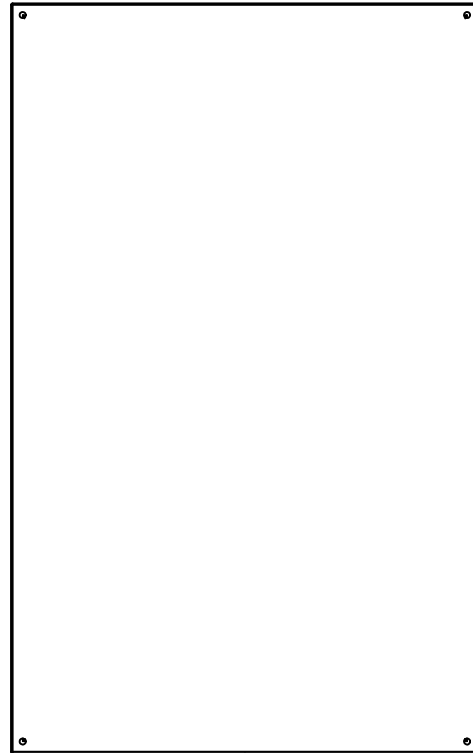


This drawing is confidential and must not be reproduced or used without the consent of EXM

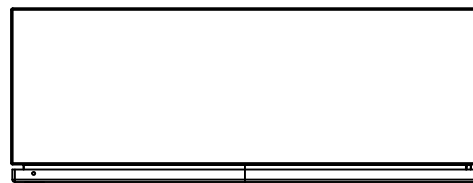
Ce dessin est confidentiel et ne doit pas être reproduit ou utilisé sans le consentement de EXM



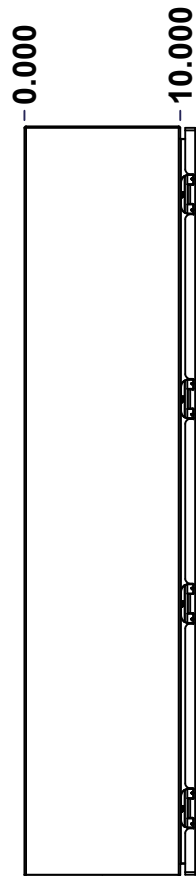
TOP



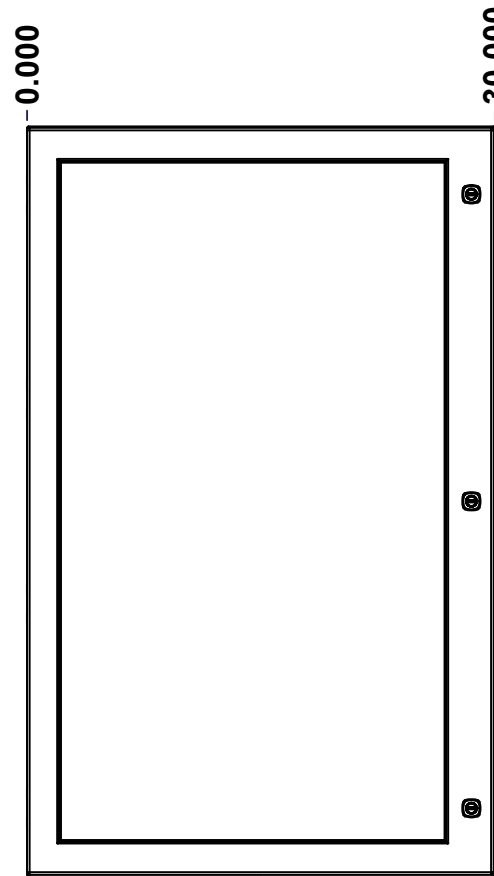
BACK



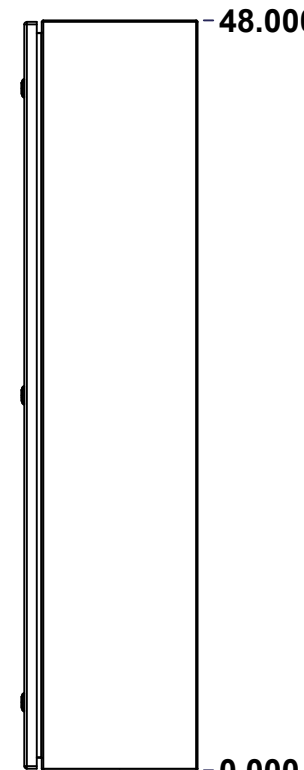
BOTTOM



LEFT

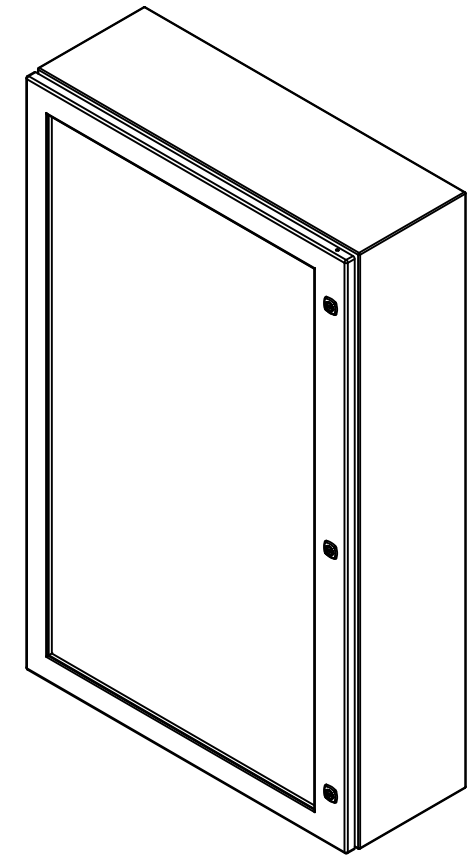


FRONT



RIGHT

| No. | Revisions | Date | By/Par |
|-----|-----------|------|--------|
| | | | |
| | | | |
| | | | |
| | | | |
| | | | |



Isometric View



Tél: (450) 979-4373
 Fax: (450) 979-4626
www.exmweb.com

Flatness
 Aplatissement
 Max 3.0mm
 Projection

| | |
|---|-----------------------|
| Customer Client | Date |
| Drawn By / Dessiné Par: BoxCad: BoxCad | Date: 11-Sep-13 |
| Material / Matière: 14 Ga H.R.P. & O. (1.7mm) | |
| Color / Couleur: Asa-61 Grey | Finish / Fini: Smooth |
| Description: 5412ESW 48" x 30" x 10" Assembly | Detail Rev. |
| Part Number / Numéro Pièce: 5412ESW483010 | Rev. 1 0 |

SEE BILL OF MATERIAL ON LAST PAGE

5412ESW483010

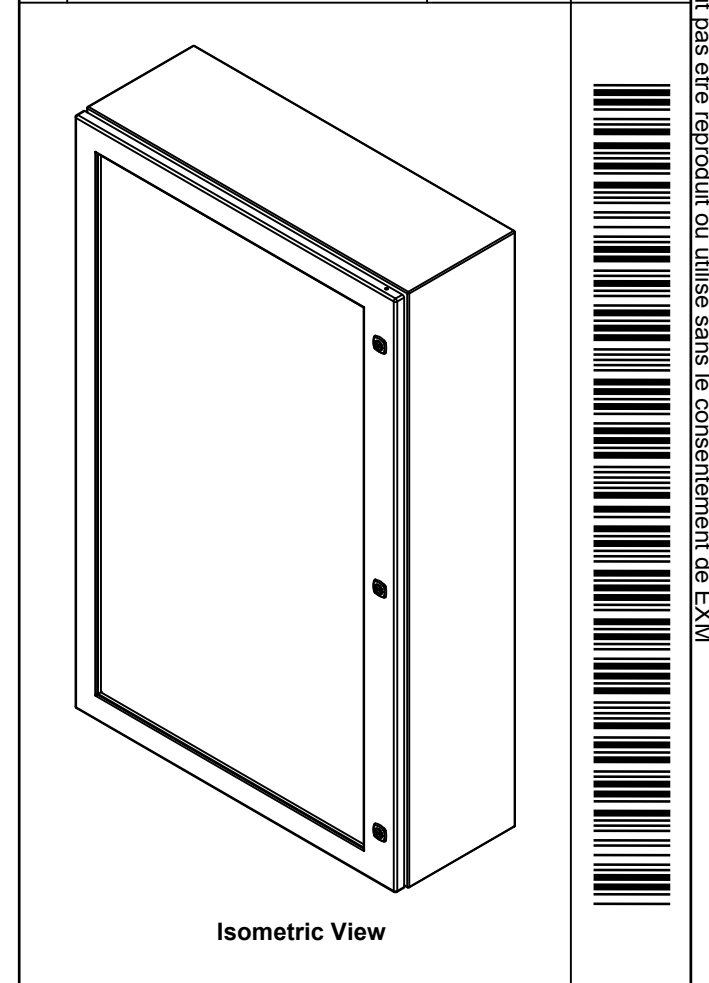
2

This drawing is confidential and must not be reproduced or used without the consent of EXM

Ce dessin est confidentiel et ne doit pas être reproduit ou utilisé sans le consentement de EXM

| NOTE | |
|------|--|
| ITEM | DESCRIPTION |
| 1 | NEMA 4/12 Enclosure |
| 2 | C/W Standard ground studs on box and cover |
| 3 | W/O Standard door stiffener |
| 4 | C/W Standard inner panel (Included) |
| 5 | C/W Standard inner panel mounting studs |

| No. | Revisions | Date | By/Par |
|-----|-----------|------|--------|
| | | | |
| | | | |
| | | | |
| | | | |
| | | | |
| | | | |



EXM
exm

Tél: (450) 979-4373
Fax: (450) 979-4626
www.exmweb.com

Flatness
Aplatissement
Max 3.0mm

Projection

Customer Client
Date

Drawn By Dessiné Par BoxCad: BoxCad
Date 11-Sep-13

Material Matière 14 Ga H.R.P. & O. (1.7mm)

Color Couleur Asa-61 Grey
Finish Fini Smooth

Description 5412ESW 48" x 30" x 10" Assembly
Detail Rev.

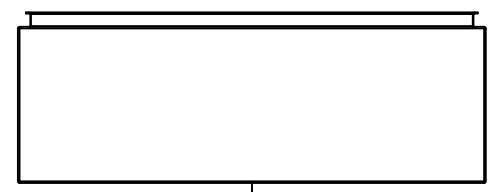
Part Number Numéro Pièce **5412ESW483010**
Rev. 0

| PACKING | | |
|-----------------------|-----|--|
| ITEM | QTY | DESCRIPTION |
| Cardboard sleeve | 2 | Top and Bottom |
| Cardboard strip | 2 | Between back of enclosure and inner panel |
| Plastic bag | 1 | To protect cover surface and inside gasket |
| Cardboard corner | 4 | To reinforced for the plastic strap tightening |
| Plastic strap - Black | 2 | To Squeeze the 2 cardboard sleeve together |
| Packaging label | 3 | White label with PN |
| Plastic strap- Green | 2 | To secure the enclosure to the wood pallet |
| Wood Pallet | 1 | 2" deeper and 3" larger than enclosure size |

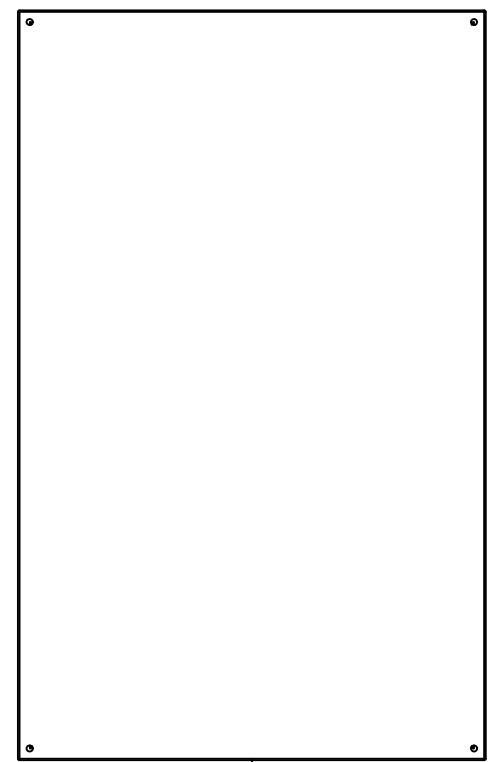
| | | | |
|------------|----------------|-----|--|
| 1 | 880 PP | 6 | Self Adhesive Print Pocket |
| 1 | STK-K-01800 | 5 | 5412 ES Accessory Kit |
| 1 | 881 SP4830G | 0 | 881 SP - Inner Panel |
| 1 | 5412ESW483010C | 0 | 5412ESW 48" x 30" Cover |
| 6 | STK-Q-07310 | 2 | Flange Lock Nut M8 |
| 6 | STK-Q-07610 | 8 | M8 Plastic Spacer 22.2mm |
| 1 | 5412ESW483010B | 0 | 5412ESW 48" x 30" x 10" Body |
| 4 | STK-Q-04050-07 | 7 | M6 x 7mm Hexagon Socket Head Machine Screw with Nyseal |
| Qty | Part Number | Rev | Description |
| Parts List | | | |

This drawing is confidential and must not be reproduced or used without the consent of EXM

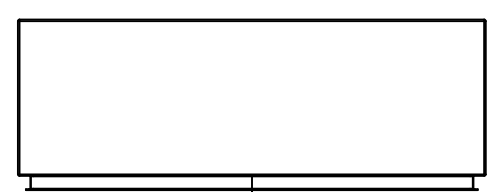
Ce dessin est confidentiel et ne doit pas être reproduit ou utilisé sans le consentement de EXM



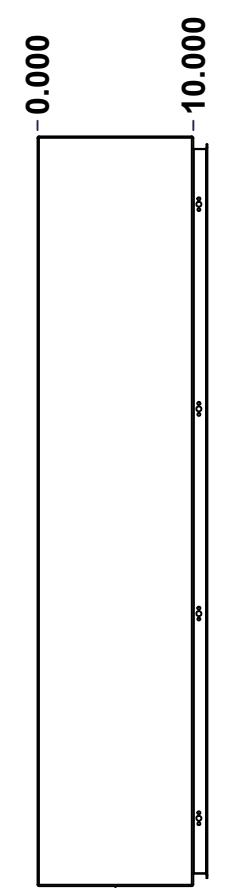
TOP



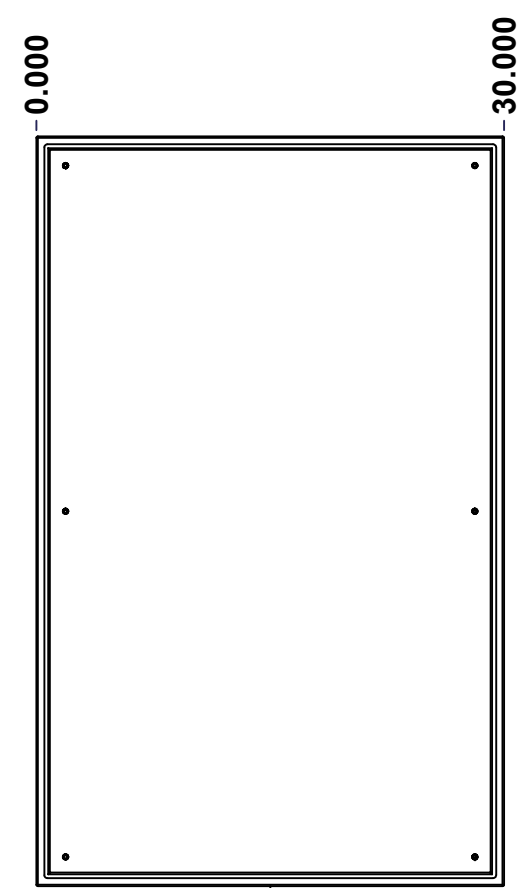
BACK



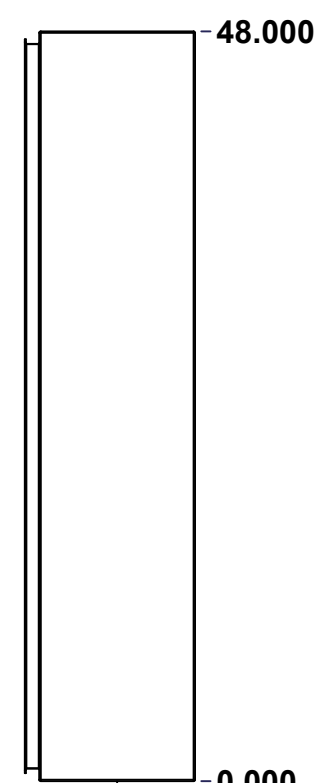
BOTTOM



LEFT

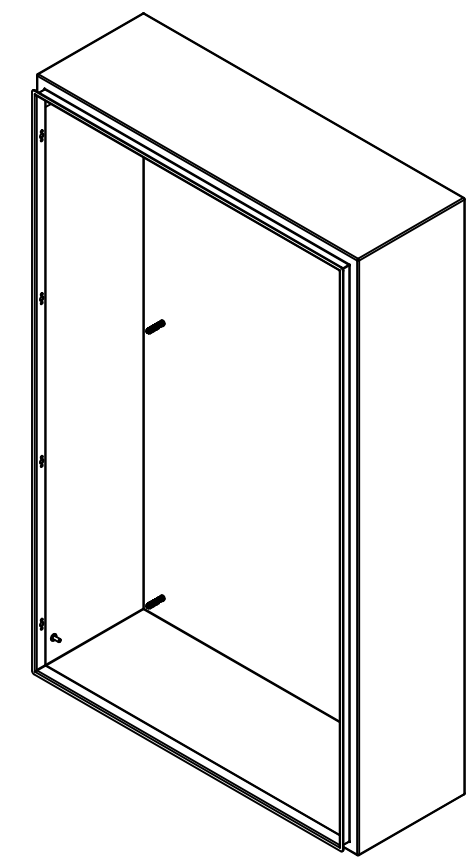


FRONT




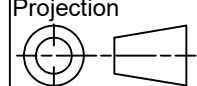
RIGHT

| No. | Revisions | Date | By/Par |
|-----|-----------|------|--------|
| | | | |
| | | | |
| | | | |
| | | | |
| | | | |



Isometric View



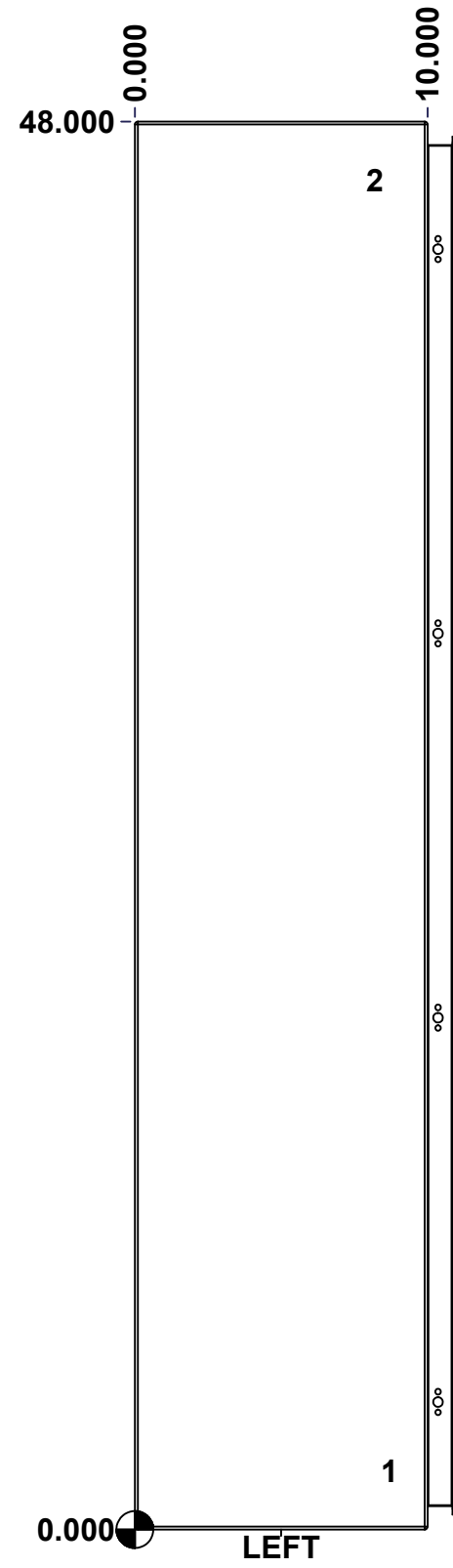
| | | |
|--|---------------------------|---|
|  Tél: (450) 979-4373 Fax: (450) 979-4626 www.exmweb.com | | Flatness Aplatissement Max 3.0mm Projection  |
| Customer Client | Date | |
| Drawn By Dessiné Par | BoxCad: BoxCad | Date 11-Sep-13 |
| Material Matière | 14 Ga H.R.P. & O. (1.7mm) | |
| Color Couleur | Asa-61 Grey | Finish Fini Smooth |
| Description | Detail Rev. | |
| 5412ESW 48" x 30" x 10" Body | | |
| Part Number Numéro Pièce | Rev. 0 | 1 / 7 |
| 5412ESW483010B | | |

SEE BILL OF MATERIAL ON LAST PAGE

This drawing is confidential and must not be reproduced or used without the consent of EXM

Ce dessin est confidentiel et ne doit pas être reproduit ou utilisé sans le consentement de EXM

| STANDARD FEATURES ARE NOT LISTED IN THIS HOLE TABLE | | | |
|---|-------|--------|-----------------------------|
| HOLE TABLE - LEFT VIEW (CUSTOM FEATURE ONLY) | | | |
| CUT-OUT | XDIM | YDIM | DESCRIPTION |
| 1 | 8.500 | 2.000 | GND STUD M6 x 16mm (Inside) |
| 2 | 8.000 | 46.000 | LABEL_EXM (Inside) |



| | | |
|--|------------------------------|----------|
| | Description | Status |
| | 5412ESW 48" x 30" x 10" Body | |
| | Part Number Numéro Pièce | Rev. |
| | 5412ESW483010B | 0 |
| | | 5 / 7 |

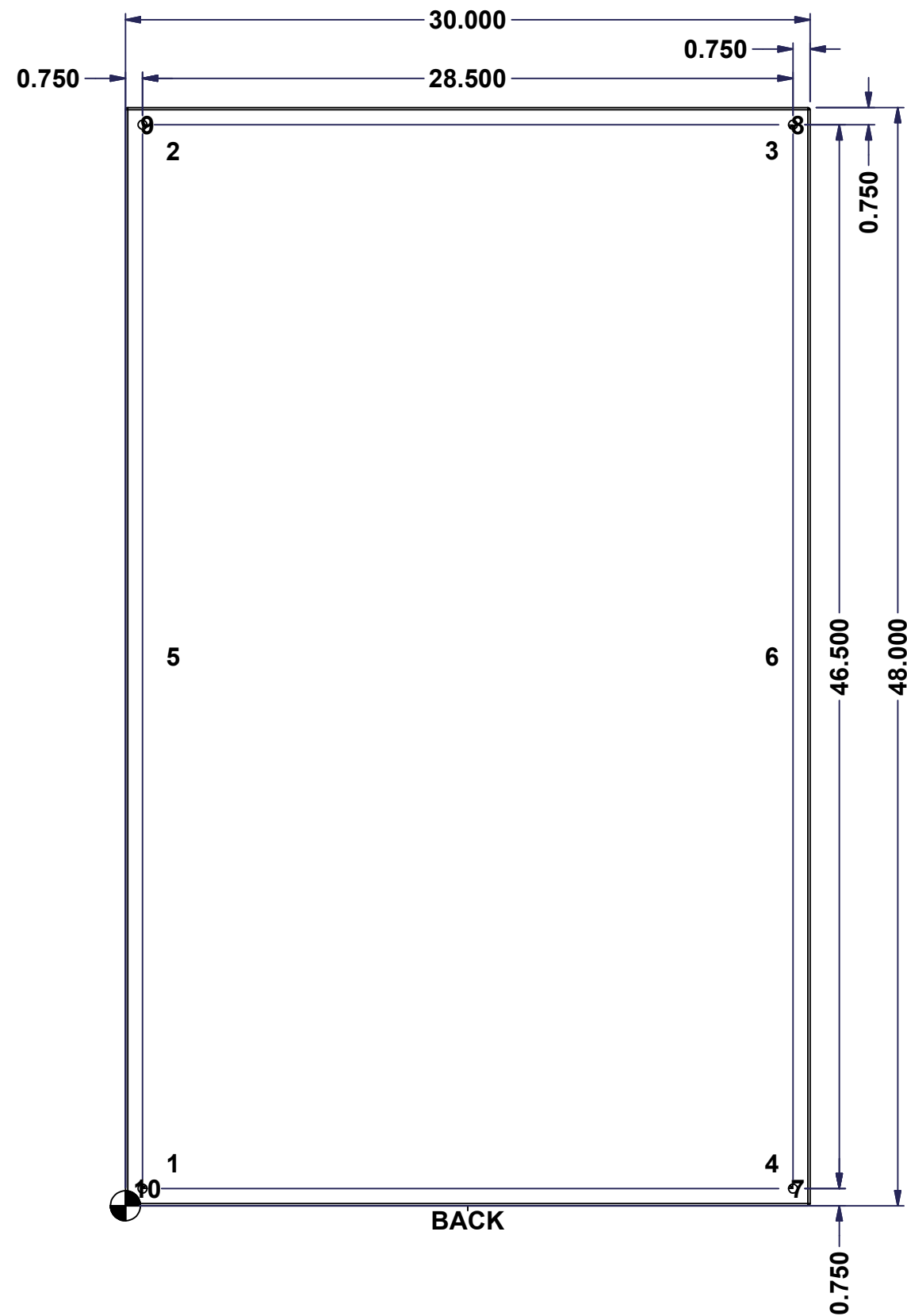
This drawing is confidential and must not be reproduced or used without the consent of EXM

Ce dessin est confidentiel et ne doit pas être reproduit ou utilisé sans le consentement de EXM

STANDARD FEATURES ARE NOT LISTED IN THIS HOLE TABLE

HOLE TABLE - BACK VIEW (CUSTOM FEATURE ONLY)

| CUT-OUT | XDIM | YDIM | DESCRIPTION |
|---------|--------|--------|----------------------------|
| 1 | 1.875 | 1.875 | IP STUD M8 x 35mm (Inside) |
| 2 | 1.875 | 46.125 | IP STUD M8 x 35mm (Inside) |
| 3 | 28.125 | 46.125 | IP STUD M8 x 35mm (Inside) |
| 4 | 28.125 | 1.875 | IP STUD M8 x 35mm (Inside) |
| 5 | 1.875 | 24.000 | IP STUD M8 x 35mm (Inside) |
| 6 | 28.125 | 24.000 | IP STUD M8 x 35mm (Inside) |
| ----- | | | |
| 7 | 29.250 | 0.750 | RND Ø0.390 |
| 8 | 29.250 | 47.250 | RND Ø0.390 |
| 9 | 0.750 | 47.250 | RND Ø0.390 |
| 10 | 0.750 | 0.750 | RND Ø0.390 |

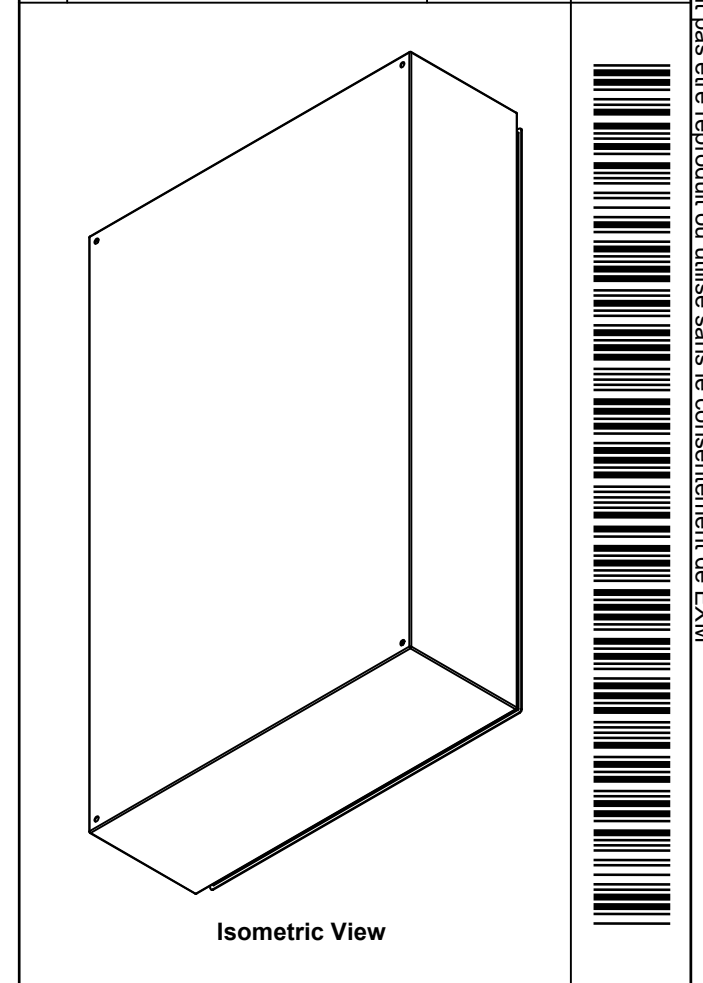




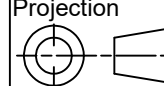
| | | |
|--|------------------------------|----------|
| | Description | Status |
| | 5412ESW 48" x 30" x 10" Body | |
| | Part Number Numéro Pièce | Rev. |
| | 5412ESW483010B | 0 |
| | | 6 / 7 |

This drawing is confidential and must not be reproduced or used without the consent of EXM

Ce dessin est confidentiel et ne doit pas être reproduit ou utilisé sans le consentement de EXM

| No. | Revisions | Date | By/Par |
|-----|-----------|------|--------|
| | | | |
| | | | |
| | | | |
| | | | |
| | | | |



| | | |
|--|----------------|---|
|  Tél: (450) 979-4373 Fax: (450) 979-4626 www.exmweb.com | | Flatness Aplatissement  Max 3.0mm Projection  |
| Customer Client | Date | |
| Drawn By Dessiné Par | BoxCad: BoxCad | Date 11-Sep-13 |
| Material Matière 14 Ga H.R.P. & O. (1.7mm) | | |
| Color Couleur | Asa-61 Grey | Finish Fini Smooth |
| Description | | Detail Rev. |
| 5412ESW 48" x 30" x 10" Body | | |
| Part Number Numéro Pièce | | Rev. |
| 5412ESW483010B | | 0 / 7 |

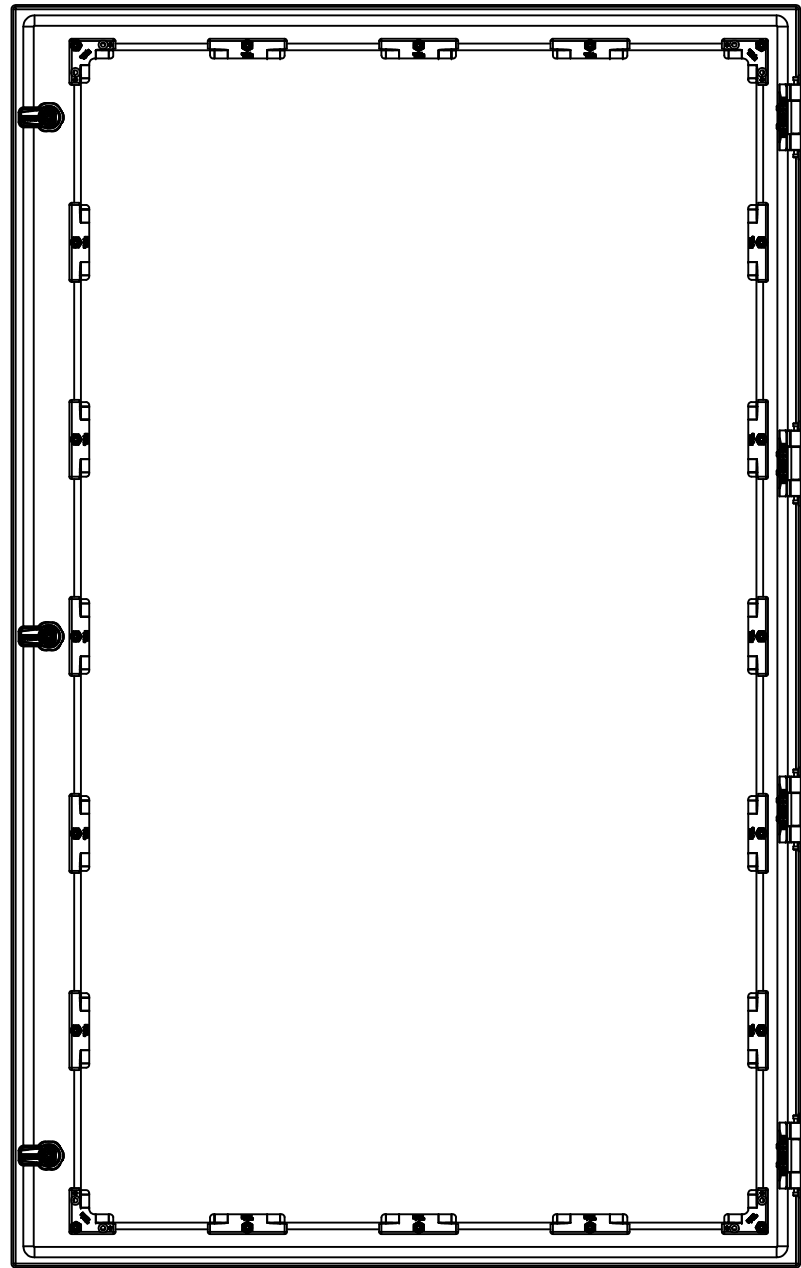
| Qty | Part Number | Rev | Description |
|------------|------------------|-----|--|
| 1 | STK-S-00100 | 0 | 3.5" x 2" Silver Milar Flexcon Sticker |
| 1 | STK-Q-16080 | 0 | Ground Stud M6 x 16mm |
| 1 | STK-P-02400S | 0 | Powder Paint (Asa-61 Grey / Smooth) |
| 6 | STK-Q-16005 | 1 | Stud M8 x 35 (No Paint Cap Required) |
| 1 | 5412ESW483010B-P | 0 | 5412ESW 48" x 30" x 10" Body Part |
| Parts List | | | |

This drawing is confidential and must not be reproduced or used without the consent of EXM

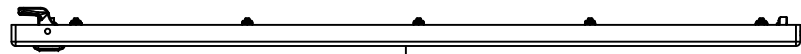
Ce dessin est confidentiel et ne doit pas être reproduit ou utilisé sans le consentement de EXM



TOP



BACK



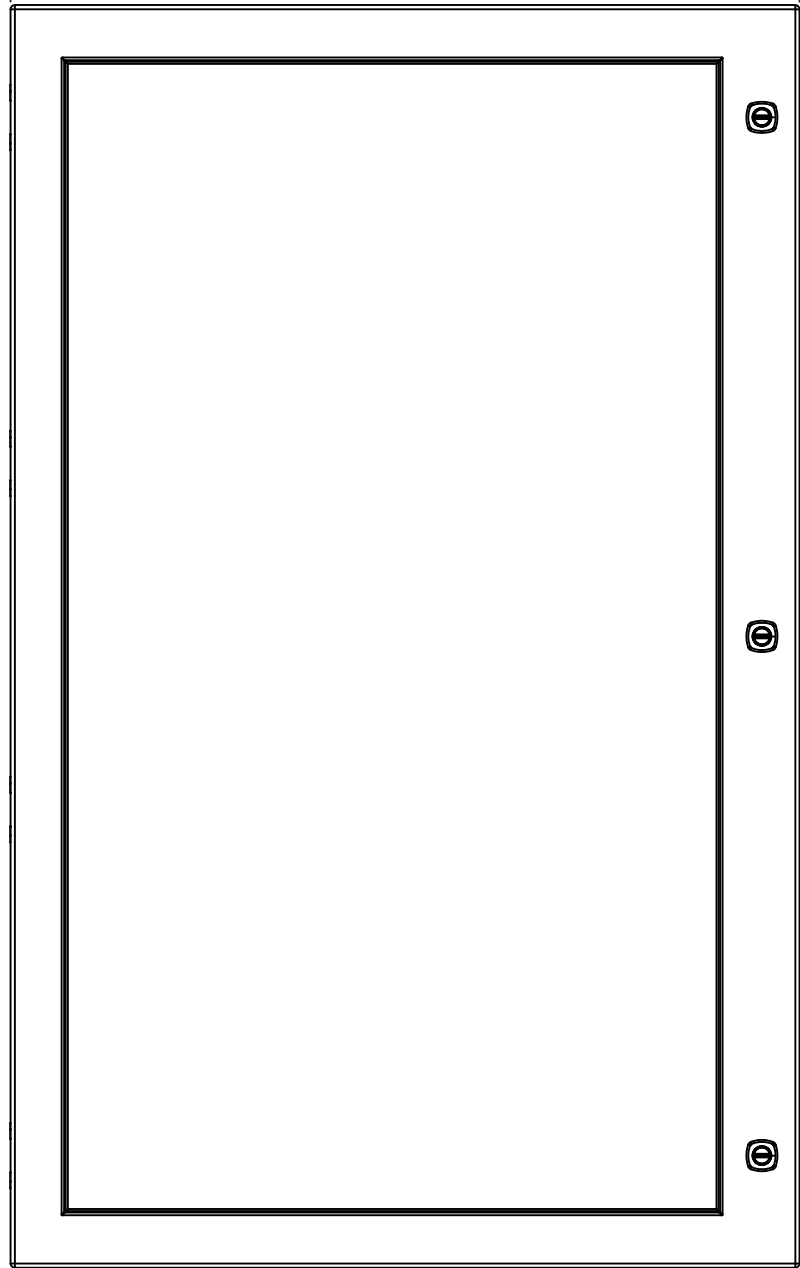
BOTTOM

0.000
0.800



LEFT

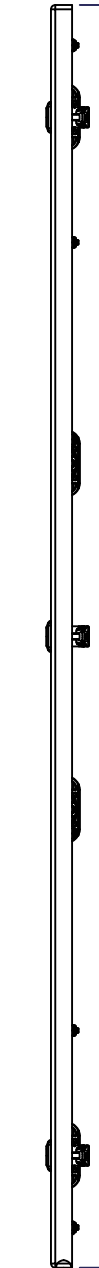
0.000



FRONT

29.918

47.803



RIGHT

0.000

| No. | Revisions | Date | By/Par |
|-----|-----------|------|--------|
| | | | |
| | | | |
| | | | |
| | | | |
| | | | |

Isometric View

| | | | |
|---|--|---------------------------|--------|
| <p>Tél: (450) 979-4373 Fax: (450) 979-4626 www.exmweb.com</p> | | Flatness Aplatissement | |
| | | Max 3.0mm | |
| Customer Client | | Date | |
| Drawn By Dessiné Par BoxCad: BoxCad | | Date 11-Sep-13 | |
| Material Matière 14 Ga H.R.P. & O. (1.7mm) | | Projection | |
| Color Couleur Asa-61 Grey | | Finish Fini Smooth | |
| Description 5412ESW 48" x 30" Cover | | Detail Rev. | |
| Part Number Numéro Pièce 5412ESW483010C | | Rev. 0 | 1 3 |

SEE BILL OF MATERIAL ON LAST PAGE

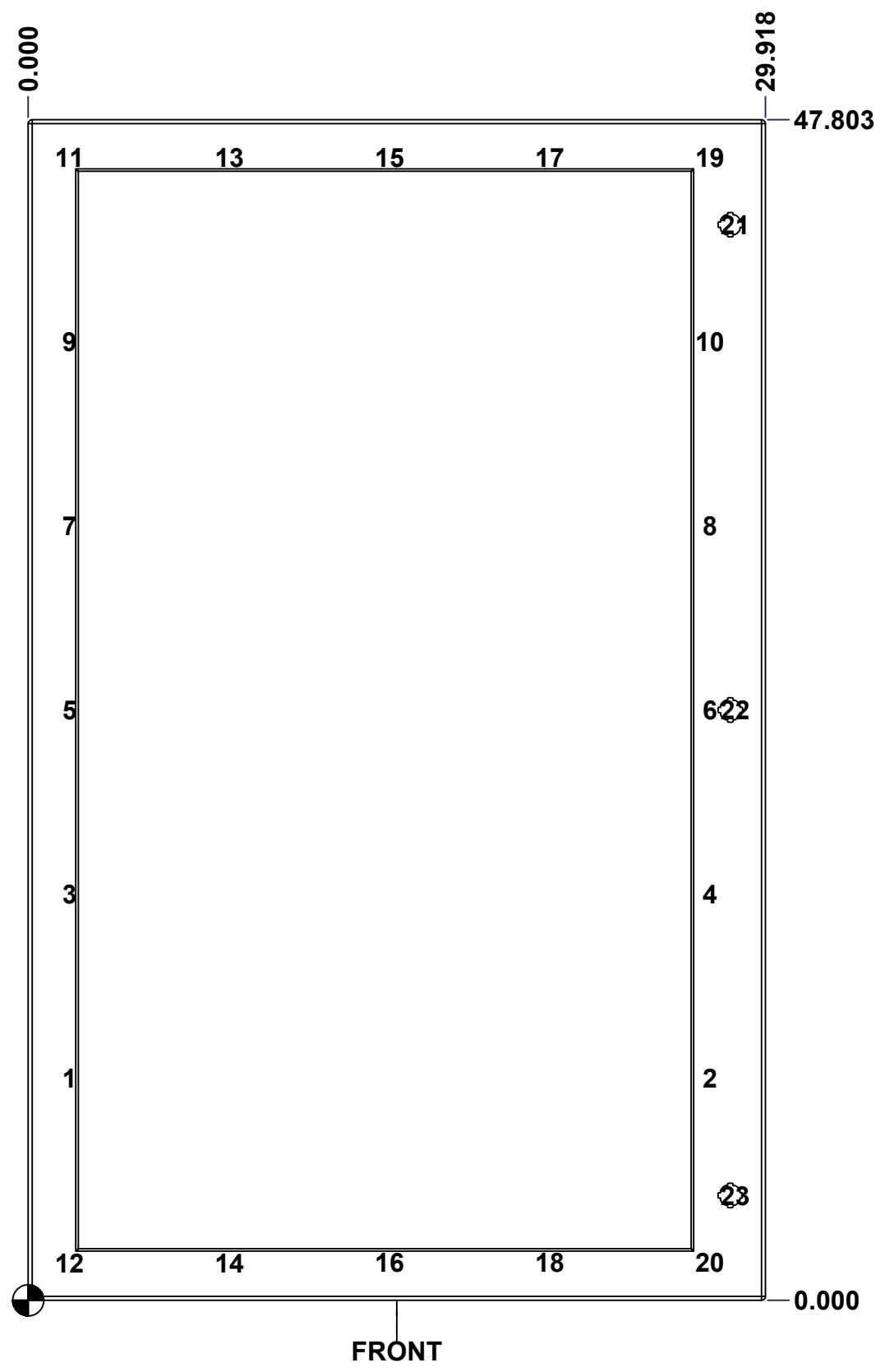
This drawing is confidential and must not be reproduced or used without the consent of EXM

Ce dessin est confidentiel et ne doit pas être reproduit ou utilisé sans le consentement de EXM

STANDARD FEATURES ARE NOT LISTED IN THIS HOLE TABLE

HOLE TABLE - FRONT VIEW (CUSTOM FEATURE ONLY)

| CUT-OUT | XDIM | YDIM | DESCRIPTION |
|---------|--------|--------|-------------------------|
| 1 | 1.469 | 8.985 | STUD M6 x 18mm (Inside) |
| 2 | 27.468 | 8.985 | STUD M6 x 18mm (Inside) |
| 3 | 1.469 | 16.443 | STUD M6 x 18mm (Inside) |
| 4 | 27.468 | 16.443 | STUD M6 x 18mm (Inside) |
| 5 | 1.469 | 23.902 | STUD M6 x 18mm (Inside) |
| 6 | 27.468 | 23.902 | STUD M6 x 18mm (Inside) |
| 7 | 1.469 | 31.360 | STUD M6 x 18mm (Inside) |
| 8 | 27.468 | 31.360 | STUD M6 x 18mm (Inside) |
| 9 | 1.469 | 38.818 | STUD M6 x 18mm (Inside) |
| 10 | 27.468 | 38.818 | STUD M6 x 18mm (Inside) |
| 11 | 1.469 | 46.276 | STUD M6 x 18mm (Inside) |
| 12 | 1.469 | 1.527 | STUD M6 x 18mm (Inside) |
| 13 | 7.969 | 46.276 | STUD M6 x 18mm (Inside) |
| 14 | 7.969 | 1.527 | STUD M6 x 18mm (Inside) |
| 15 | 14.469 | 46.276 | STUD M6 x 18mm (Inside) |
| 16 | 14.469 | 1.527 | STUD M6 x 18mm (Inside) |
| 17 | 20.968 | 46.276 | STUD M6 x 18mm (Inside) |
| 18 | 20.968 | 1.527 | STUD M6 x 18mm (Inside) |
| 19 | 27.468 | 46.276 | STUD M6 x 18mm (Inside) |
| 20 | 27.468 | 1.527 | STUD M6 x 18mm (Inside) |
| ----- | | | |
| 21 | 28.494 | 43.553 | LOCK 880 SCQ4-SL @ 0.0° |
| 22 | 28.494 | 23.902 | LOCK 880 SCQ4-SL @ 0.0° |
| 23 | 28.494 | 4.250 | LOCK 880 SCQ4-SL @ 0.0° |

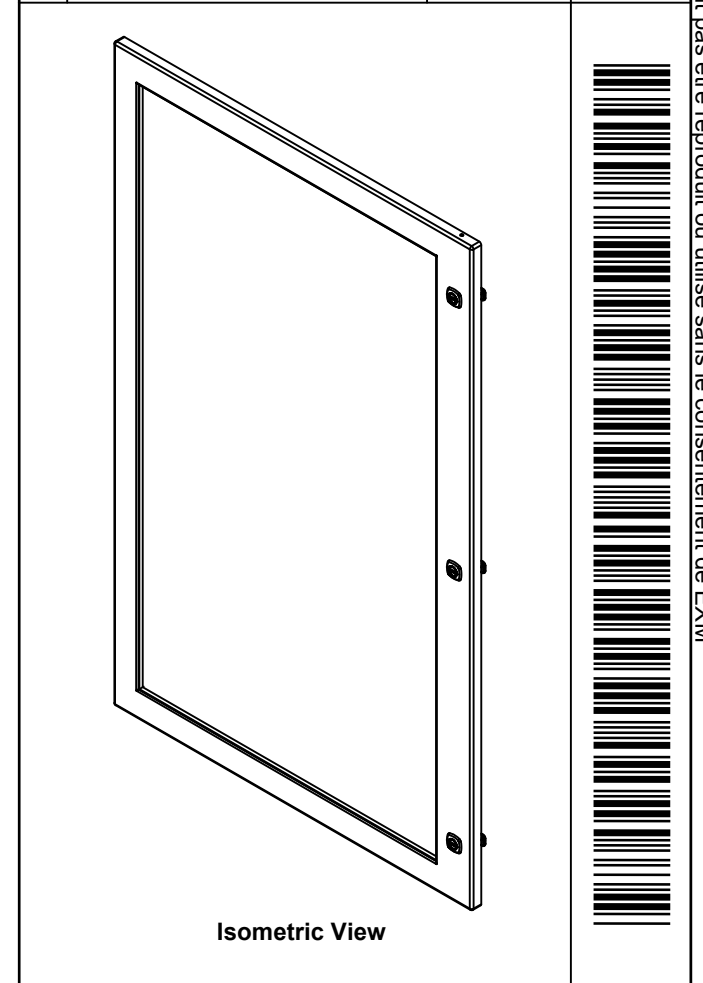



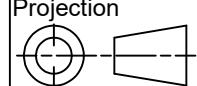
| | | | |
|--|-----------------------------|----------|--------|
| | Description | Status | |
| | 5412ESW 48" x 30" Cover | (NULL) | |
| | Part Number Numéro Pièce | Rev. | |
| | 5412ESW483010C | 0 | 2 3 |

This drawing is confidential and must not be reproduced or used without the consent of EXM

Ce dessin est confidentiel et ne doit pas être reproduit ou utilisé sans le consentement de EXM

| No. | Revisions | Date | By/Par |
|-----|-----------|------|--------|
| | | | |
| | | | |
| | | | |
| | | | |
| | | | |

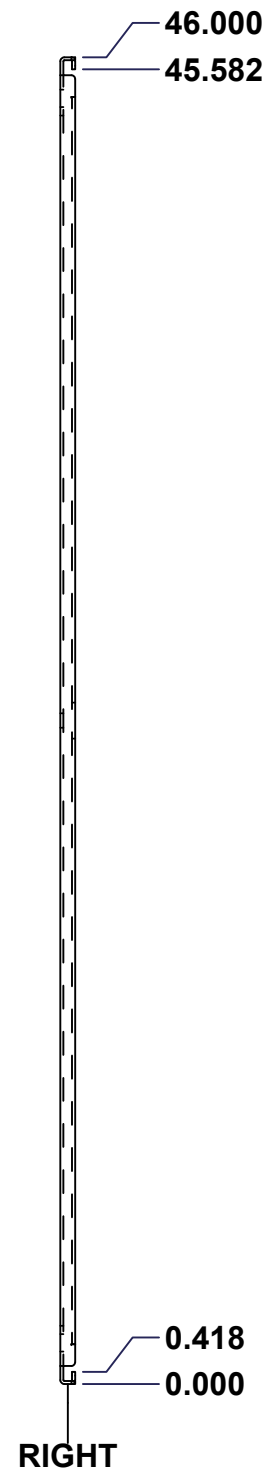
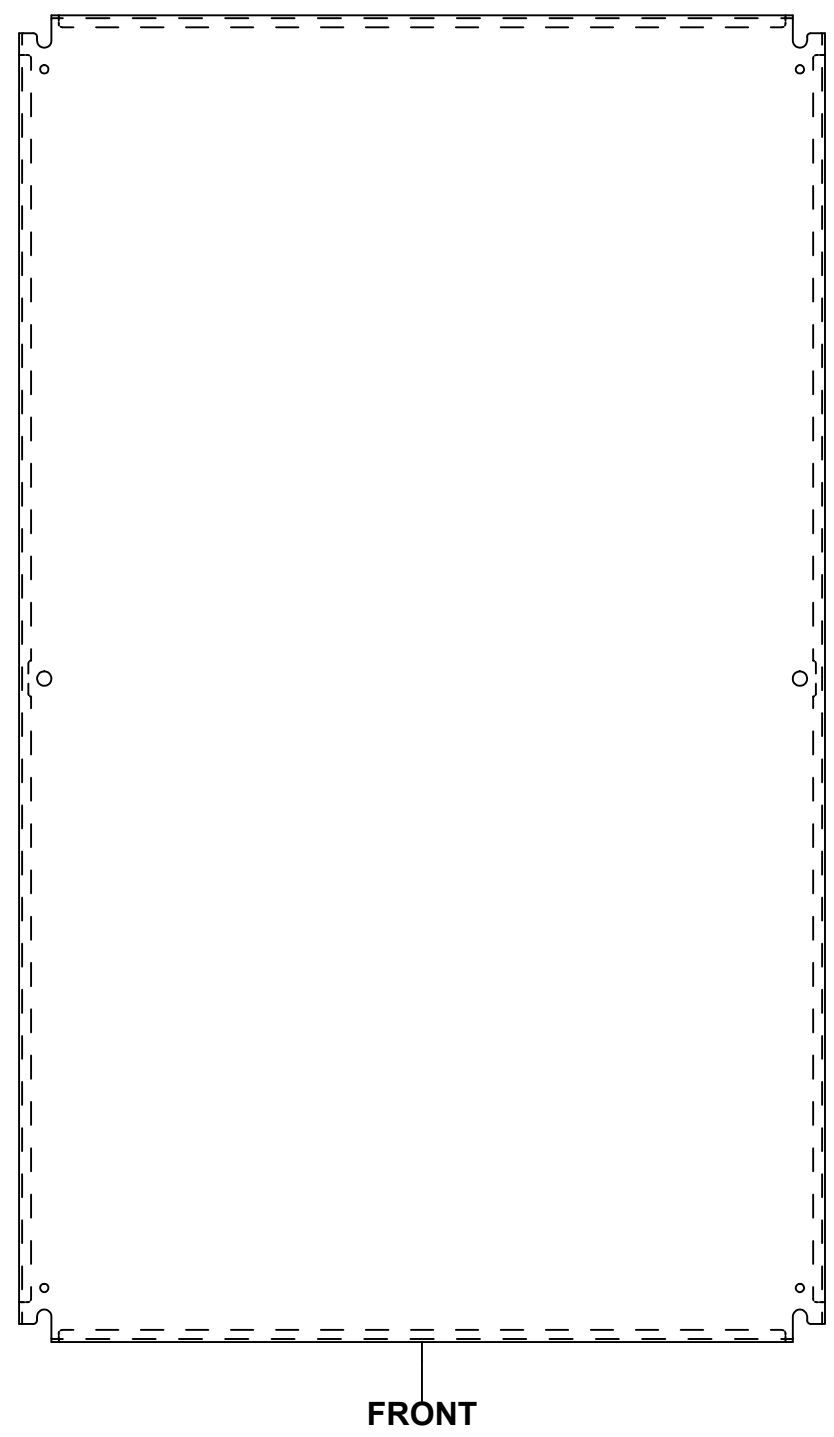
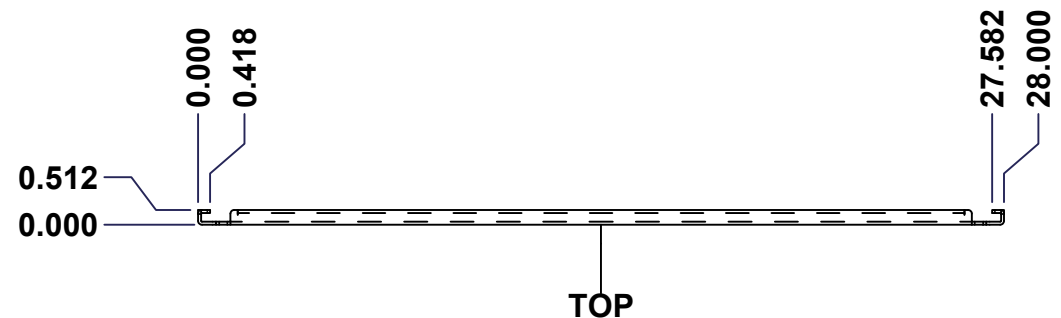


| | | | | | |
|---|--|--|---------------------------|---|----------|
|  | | Tél: (450) 979-4373 Fax: (450) 979-4626 www.exmweb.com | | Flatness Aplatissement Max 3.0mm Projection  | |
| Customer Client | | | Date | | |
| Drawn By Dessiné Par | | BoxCad: BoxCad | | Date 11-Sep-13 | |
| Material Matière | | | 14 Ga H.R.P. & O. (1.7mm) | | |
| Color Couleur | | Asa-61 Grey | | Finish Fini Smooth | |
| Description | | | | Detail Rev. | |
| 5412ESW 48" x 30" Cover | | | | | |
| Part Number Numéro Pièce | | | Rev. | | 3 |
| 5412ESW483010C | | | 0 | | 3 |

| 1 | STK-P-02400S | 0 | Powder Paint (Asa-61 Grey / Smooth) |
|------------|------------------|-----|---|
| 16 | STK-Q-60701 | 2.1 | 880 WK - Lexan 1/4" Fixing Bracket |
| 1 | STK-A-60703 | 0 | 5412 ESW Lexan Bracket Kit |
| 20 | STK-Q-16052 | 0 | M6 x 23mm Stud (No Paint Cap Required) |
| 1 | STK-G-02705 | 0 | 880 HWKG - Windows Kit Gasket |
| 1 | 5412ESW483010LXG | 0 | 5412ESW 48" x 30" Lexan Gasket Part |
| 1 | 5412ESW483010LX | 0 | 5412ESW 44.375" x 26.125" Lexan Part |
| 1 | 5412ESW483010G | 0 | 5412ESW 48" x 30" Cover Gasket Part |
| 1 | 5412ESW483010C-P | 0 | 5412ESW 48" x 30" Cover Part |
| 4 | STK-K-09800 | 10 | 5412 ES Hinge with 2 Captive Hinge Pins |
| 3 | 880 SCQ4-SL | 6 | 5412 ES 1/4 Turn Lock |
| Qty | Part Name | Rev | Description |
| Parts List | | | |

This drawing is confidential and must not be reproduced or used without the consent of EXM

Ce dessin est confidentiel et ne doit pas être reproduit ou utilisé sans le consentement de EXM



| No. | Revisions | Date | By/Par |
|-----|-----------|------|--------|
| | | | |
| | | | |
| | | | |
| | | | |
| | | | |

Isometric View

| | | |
|--|---------------|--|
| Tél: (450) 979-4373 Fax: (450) 979-4626 www.exmweb.com | | Flatness Aplatissement Max 3.0mm Projection |
| Customer Client | Date | |
| Drawn By Dessiné Par | BoxCad | Date 1/23/2007 |
| Material Matière | See Part List | |
| Color Couleur | See Part List | Finish Fini See Part List |
| Description | | Detail Rev. |
| 881 SP - Inner Panel | | |
| Part Number Numéro Pièce | 881 SP4830G | Rev. 1 0 |

| Qty | Part Number | Rev | Description | Material | Color | Finish |
|-----|---------------|-----|---------------------------|------------------|-----------|------------|
| 1 | 881 SP4830G-P | 0 | 881 SP - Inner Panel Part | 12 Ga Galvanized | Unpainted | Galvanized |

Parts List

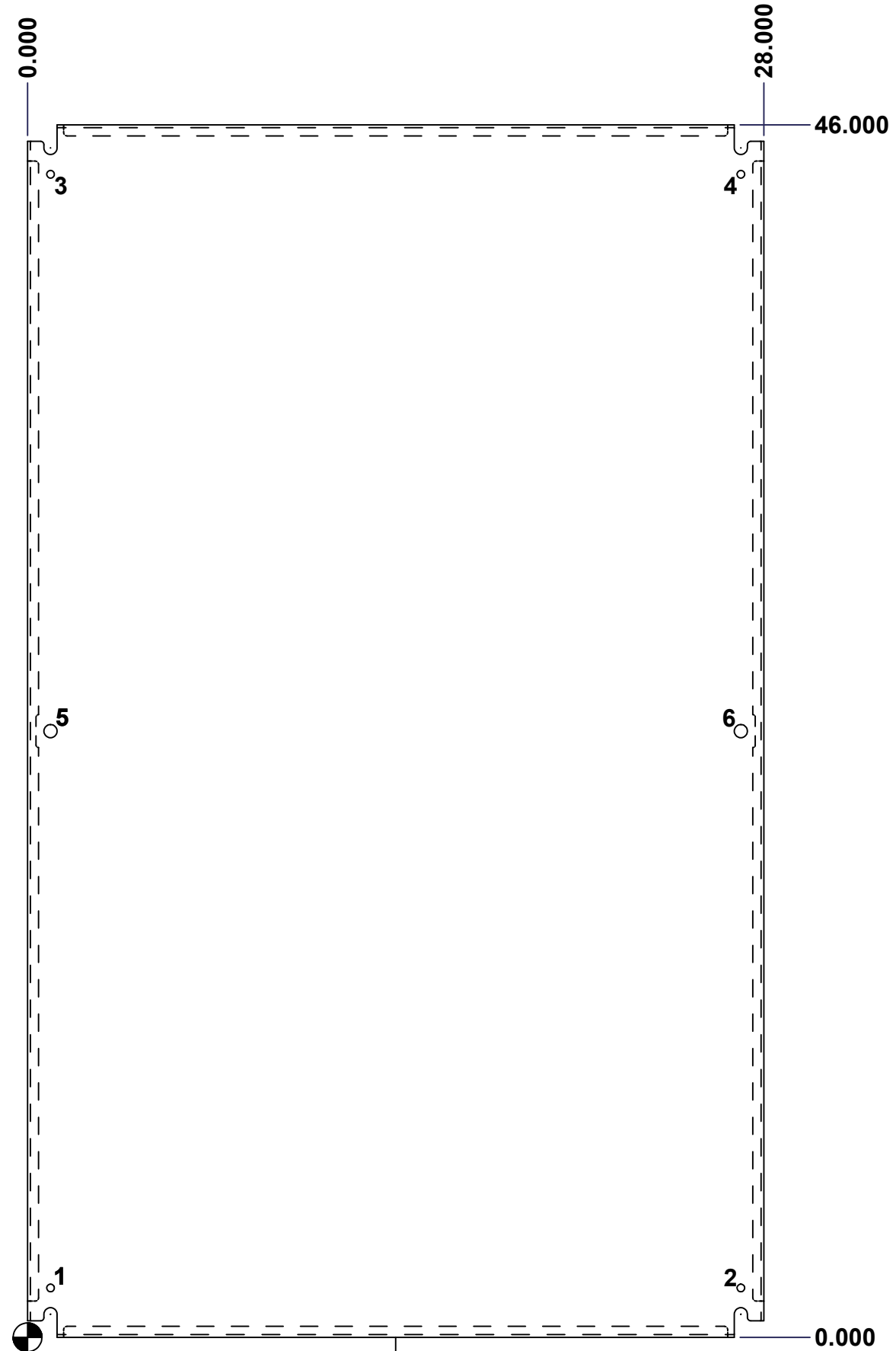
This drawing is confidential and must not be reproduced or used without the consent of EXM

Ce dessin est confidentiel et ne doit pas être reproduit ou utilisé sans le consentement de EXM

| Table 1 | | | FRONT VIEW |
|---------|--------|--------|----------------------------|
| CUT-OUT | XDIM | YDIM | DESCRIPTION |
| 1 | 0.875 | 1.875 | GROUND HOLE (RND Ø0.290) |
| 2 | 27.125 | 1.875 | GROUND HOLE (RND Ø0.290) |
| 3 | 0.875 | 44.125 | GROUND HOLE (RND Ø0.290) |
| 4 | 27.125 | 44.125 | GROUND HOLE (RND Ø0.290) |
| 5 | 0.875 | 23.000 | MTG STUD HOLE (RND Ø0.500) |
| 6 | 27.125 | 23.000 | MTG STUD HOLE (RND Ø0.500) |

All knockouts are actual size / Les disques défonçables sont grandeur réel

| No. | Revisions | Date | By/Par |
|-----|-----------|------|--------|
| | | | |
| | | | |
| | | | |
| | | | |
| | | | |
| | | | |



Isometric View

| | | | | | |
|---|--|--|--|--|--|
| | | Tél: (450) 979-4373 Fax: (450) 979-4626 www.exmweb.com | | Flatness Aplatissement Max 3.0mm | |
| Customer Client | | Date | | Projection | |
| Drawn By Dessiné Par BoxCad | | Date 1/23/2007 | | Material Matière See Part List | |
| Color Couleur See Part List | | Finish Fini See Part List | | Description 881 SP - Inner Panel | |
| Part Number Numéro Pièce 881 SP4830G | | Detail Rev. 0 | | Rev. 2 / 2 | |