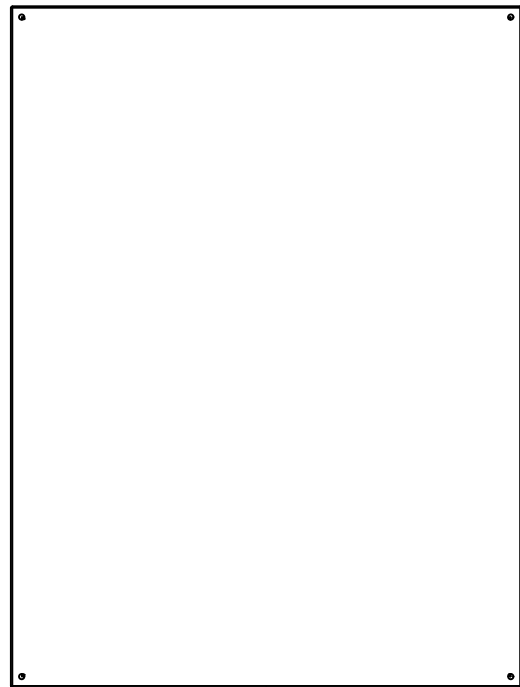


This drawing is confidential and must not be reproduced or used without the consent of EXM

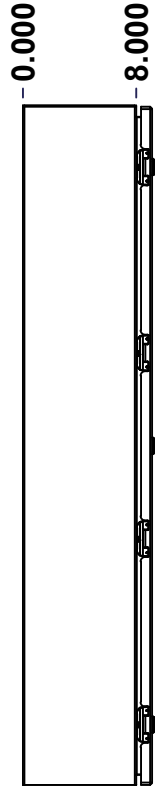
Ce dessin est confidentiel et ne doit pas être reproduit ou utilisé sans le consentement de EXM



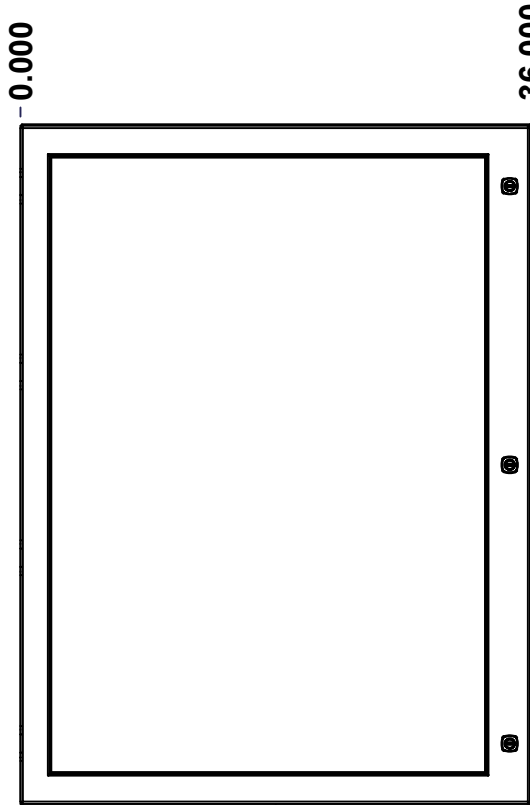
TOP



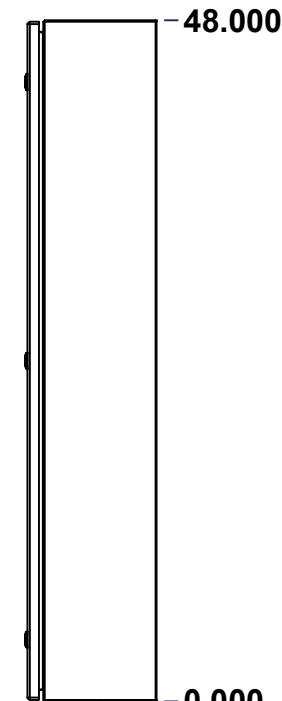
BACK



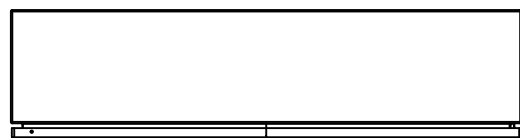
LEFT



FRONT

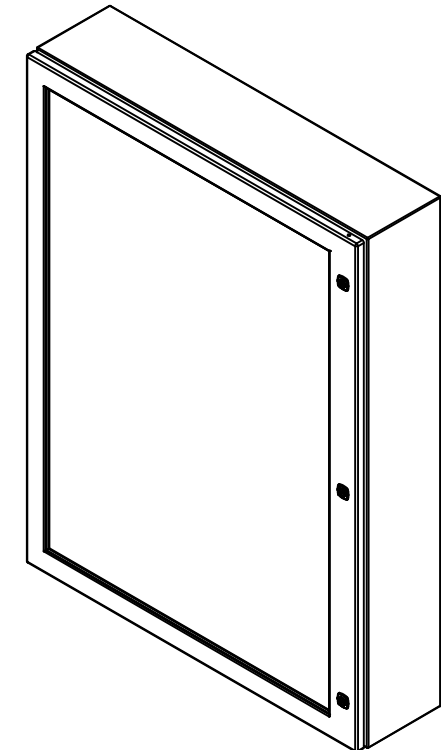


RIGHT




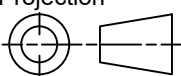
BOTTOM

| No. | Revisions | Date | By/Par |
|-----|-----------|------|--------|
| | | | |
| | | | |
| | | | |
| | | | |



Isometric View



| | | |
|--|---|---|
|  Tél: (450) 979-4373 Fax: (450) 979-4626 www.exmweb.com | | Flatness Aplatissement Max 3.0mm Projection  |
| Customer Client | Date | |
| Drawn By Dessiné Par | BoxCad: BoxCad | Date 14-Mar-23 |
| Material Matière | 14 Ga Cold Rolled A1008 CS Type B (1.7mm) | |
| Color Couleur | Asa-61 Grey | Finish Fini Smooth |
| Description | Detail Rev. | |
| 5412ESW 48" x 36" x 8" Assembly | | |
| Part Number Numéro Pièce | Rev. | 1 |
| 5412ESW483608NOIP | 0 | 9 |

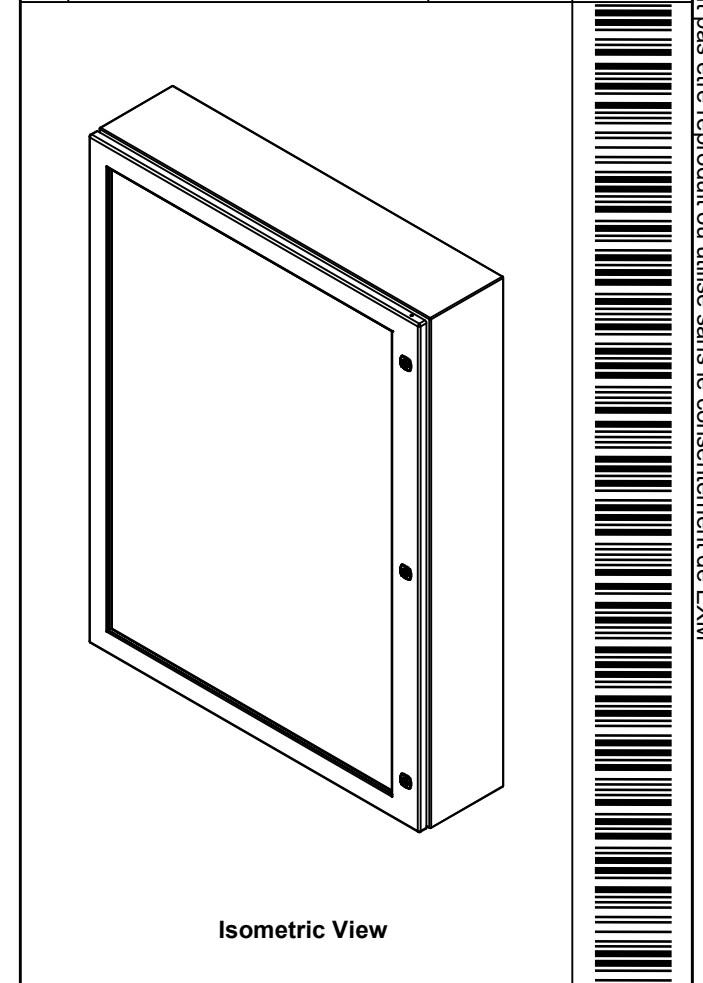
SEE BILL OF MATERIAL ON LAST PAGE

This drawing is confidential and must not be reproduced or used without the consent of EXM

Ce dessin est confidentiel et ne doit pas être reproduit ou utilisé sans le consentement de EXM


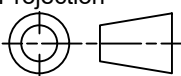
| NOTE | |
|------|--|
| ITEM | DESCRIPTION |
| 1 | NEMA 4/12 Enclosure |
| 2 | C/W Standard ground studs on box and cover |
| 3 | W/O Standard door stiffener |
| 4 | W/O Inner panel |
| 5 | C/W Standard inner panel mounting studs |

| No. | Revisions | Date | By/Par |
|-----|-----------|------|--------|
| | | | |
| | | | |
| | | | |
| | | | |
| | | | |
| | | | |



| PACKING | | |
|-----------------------|-----|--|
| ITEM | QTY | DESCRIPTION |
| Cardboard sleeve | 2 | Top and Bottom |
| Cardboard strip | 2 | Between back of enclosure and inner panel |
| Plastic bag | 1 | To protect cover surface and inside gasket |
| Cardboard corner | 4 | To reinforced for the plastic strap tightening |
| Plastic strap - Black | 2 | To Squeeze the 2 cardboard sleeve together |
| Packaging label | 3 | White label with PN |
| Plastic strap- Green | 2 | To secure the enclosure to the wood pallet |
| Wood Pallet | 1 | 2" deeper and 3" larger than enclosure size |

| | | | |
|------------|--------------------|-----|--|
| 1 | STK-K-01800 | 5 | 5412 ES Accessory Kit |
| 1 | 5412ESW483608NOIPC | 0 | 5412ESW 48" x 36" Cover |
| 1 | 5412ESW483608NOIPB | 0 | 5412ESW 48" x 36" x 8" Body |
| 4 | STK-Q-04050-08 | 0 | M6 x 8mm Hexagon Socket Head Machine Screw |
| Qty | Part Number | Rev | Description |
| Parts List | | | |

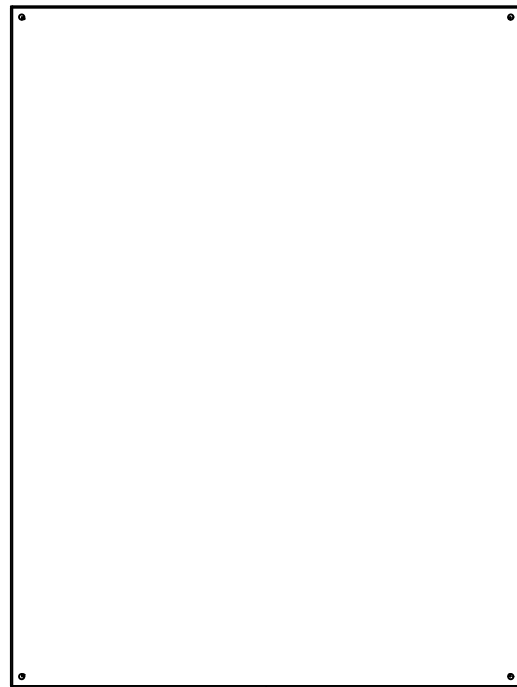
| | | |
|--|---|---|
|  Tél: (450) 979-4373 Fax: (450) 979-4626 www.exmweb.com | | Flatness Aplatissement Max 3.0mm Projection  |
| Customer Client | Date | |
| Drawn By Dessiné Par | BoxCad: BoxCad | Date 14-Mar-23 |
| Material Matière | 14 Ga Cold Rolled A1008 CS Type B (1.7mm) | |
| Color Couleur | Asa-61 Grey | Finish Fini Smooth |
| Description | | Detail Rev. |
| 5412ESW 48" x 36" x 8" Assembly | | |
| Part Number Numéro Pièce | Rev. | 2 |
| 5412ESW483608NOIP | 0 | 9 |

This drawing is confidential and must not be reproduced or used without the consent of EXM

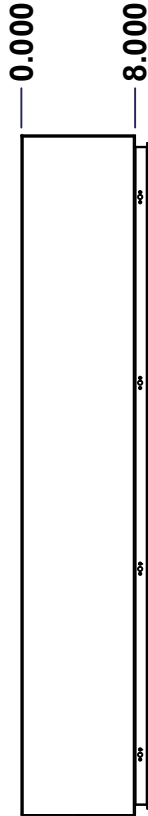
Ce dessin est confidentiel et ne doit pas être reproduit ou utilisé sans le consentement de EXM



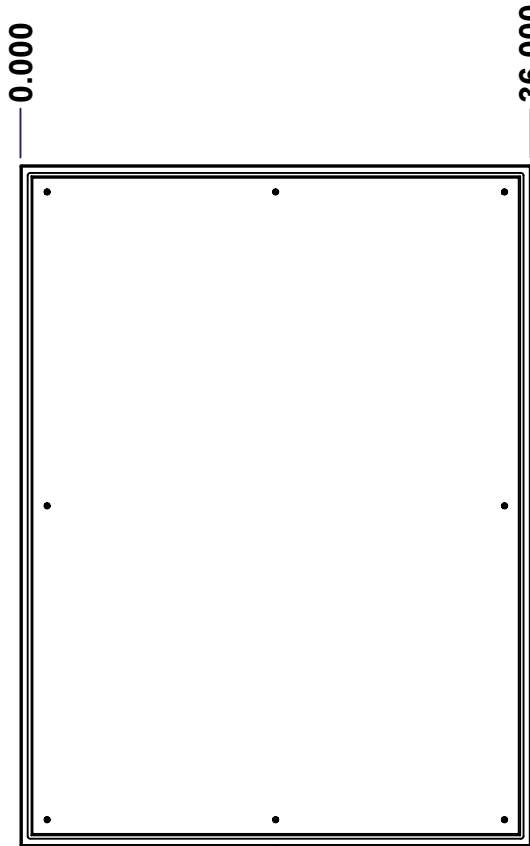
TOP



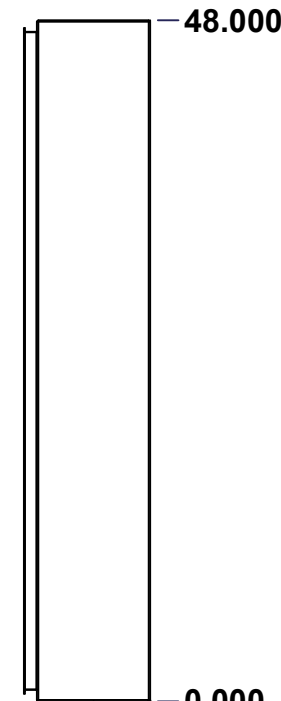
BACK



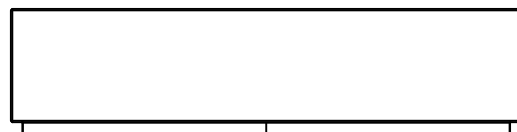
LEFT



FRONT

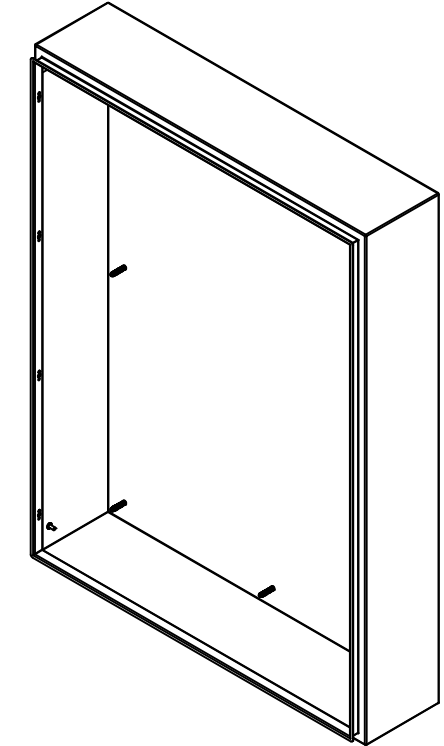


RIGHT




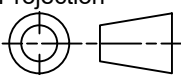
BOTTOM

| No. | Revisions | Date | By/Par |
|-----|-----------|------|--------|
| | | | |
| | | | |
| | | | |
| | | | |



Isometric View



| | | |
|--|---|---|
|  Tél: (450) 979-4373 Fax: (450) 979-4626 www.exmweb.com | | Flatness Aplatissement Max 3.0mm Projection  |
| Customer Client | Date | |
| Drawn By Dessiné Par | BoxCad: BoxCad | Date 14-Mar-23 |
| Material Matière | 14 Ga Cold Rolled A1008 CS Type B (1.7mm) | |
| Color Couleur | Asa-61 Grey | Finish Fini Smooth |
| Description | Detail Rev. | |
| 5412ESW 48" x 36" x 8" Body | | |
| Part Number Numéro Pièce | Rev. 0 | 3 9 |

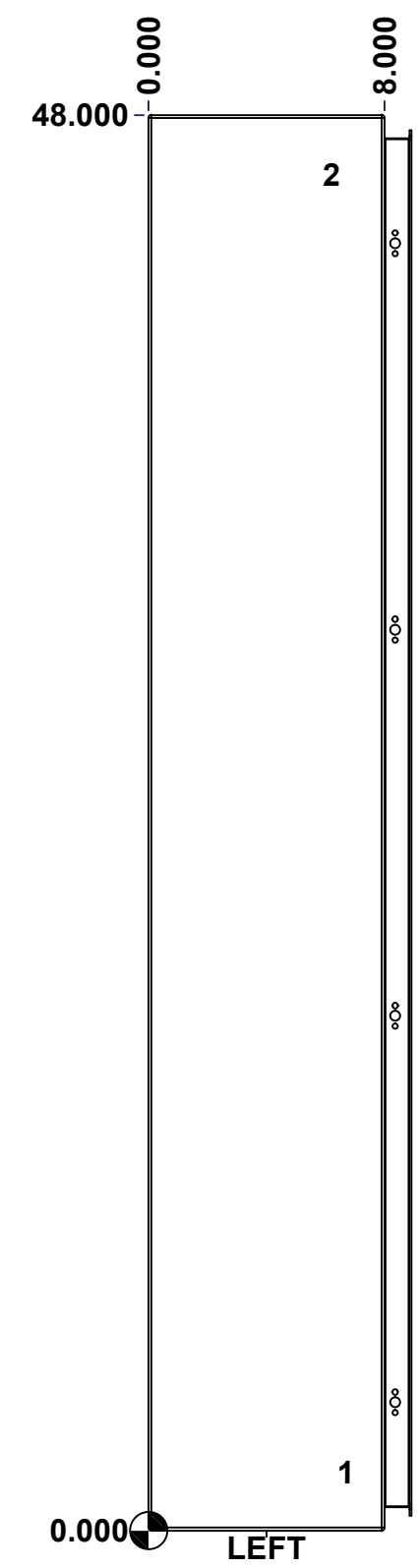
SEE BILL OF MATERIAL ON LAST PAGE

5412ESW483608NOIPB

This drawing is confidential and must not be reproduced or used without the consent of EXM

Ce dessin est confidentiel et ne doit pas être reproduit ou utilisé sans le consentement de EXM

| STANDARD FEATURES ARE NOT LISTED IN THIS HOLE TABLE | | | |
|---|-------|--------|-----------------------------|
| HOLE TABLE - LEFT VIEW (CUSTOM FEATURE ONLY) | | | |
| CUT-OUT | XDIM | YDIM | DESCRIPTION |
| 1 | 6.500 | 2.000 | GND STUD M6 x 16mm (Inside) |
| 2 | 6.000 | 46.000 | LABEL_EXM (Inside) |



| | | | |
|--|-----------------------------|----------|--------|
| | Description | Status | |
| | 5412ESW 48" x 36" x 8" Body | (NULL) | |
| | Part Number Numéro Pièce | Rev. | |
| | 5412ESW483608NOIPB | 0 | 4 9 |

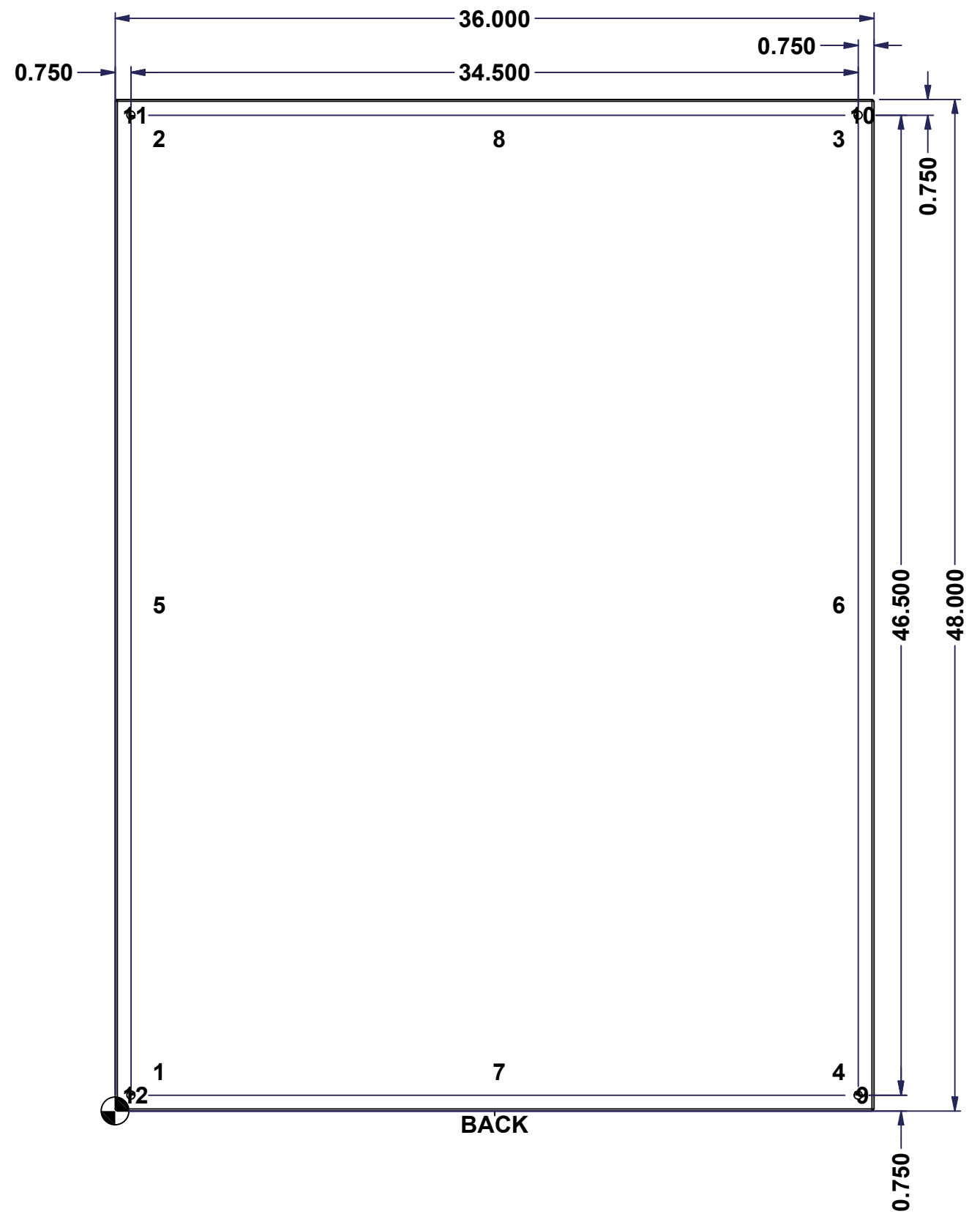
This drawing is confidential and must not be reproduced or used without the consent of EXM

Ce dessin est confidentiel et ne doit pas être reproduit ou utilisé sans le consentement de EXM

STANDARD FEATURES ARE NOT LISTED IN THIS HOLE TABLE

HOLE TABLE - BACK VIEW (CUSTOM FEATURE ONLY)

| CUT-OUT | XDIM | YDIM | DESCRIPTION |
|---------|--------|--------|----------------------------|
| 1 | 1.875 | 1.875 | IP STUD M8 x 35mm (Inside) |
| 2 | 1.875 | 46.125 | IP STUD M8 x 35mm (Inside) |
| 3 | 34.125 | 46.125 | IP STUD M8 x 35mm (Inside) |
| 4 | 34.125 | 1.875 | IP STUD M8 x 35mm (Inside) |
| 5 | 1.875 | 24.000 | IP STUD M8 x 35mm (Inside) |
| 6 | 34.125 | 24.000 | IP STUD M8 x 35mm (Inside) |
| 7 | 18.000 | 1.875 | IP STUD M8 x 35mm (Inside) |
| 8 | 18.000 | 46.125 | IP STUD M8 x 35mm (Inside) |
| ----- | | | |
| 9 | 35.250 | 0.750 | RND Ø0.390 |
| 10 | 35.250 | 47.250 | RND Ø0.390 |
| 11 | 0.750 | 47.250 | RND Ø0.390 |
| 12 | 0.750 | 0.750 | RND Ø0.390 |

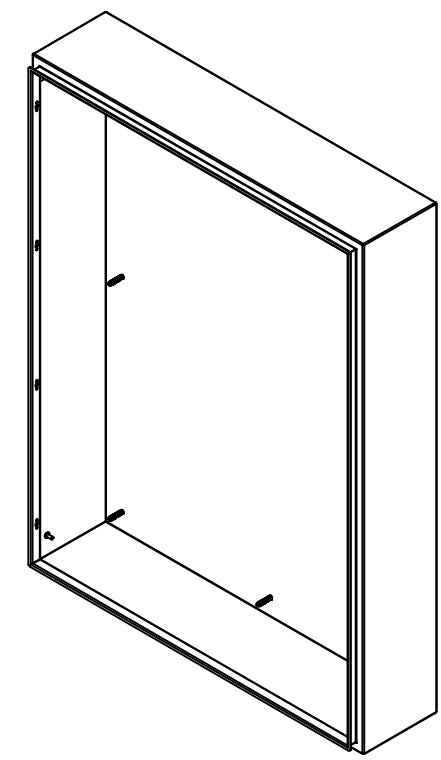


| | | |
|--|-----------------------------|--------|
| | Description | Status |
| | 5412ESW 48" x 36" x 8" Body | (NULL) |
| | Part Number | Rev. |
| | 5412ESW483608NOIPB | 5 |
| | | 9 |

This drawing is confidential and must not be reproduced or used without the consent of EXM


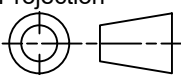
Ce dessin est confidentiel et ne doit pas être reproduit ou utilisé sans le consentement de EXM

| No. | Revisions | Date | By/Par |
|-----|-----------|------|--------|
| | | | |
| | | | |
| | | | |
| | | | |
| | | | |



Isometric View

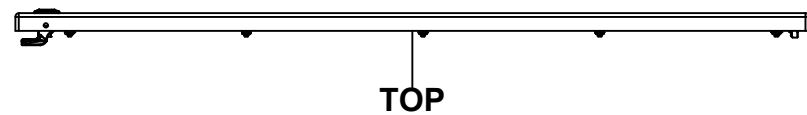


| | | |
|--|---|---|
|  Tél: (450) 979-4373 Fax: (450) 979-4626 www.exmweb.com | | Flatness Aplatissement Max 3.0mm Projection  |
| Customer Client | Date | |
| Drawn By Dessiné Par | BoxCad: BoxCad | Date 14-Mar-23 |
| Material Matière | 14 Ga Cold Rolled A1008 CS Type B (1.7mm) | |
| Color Couleur | Asa-61 Grey | Finish Fini Smooth |
| Description | | Detail Rev. |
| 5412ESW 48" x 36" x 8" Body | | |
| Part Number Numéro Pièce | Rev. | 6 |
| 5412ESW483608NOIPB | 0 | 9 |

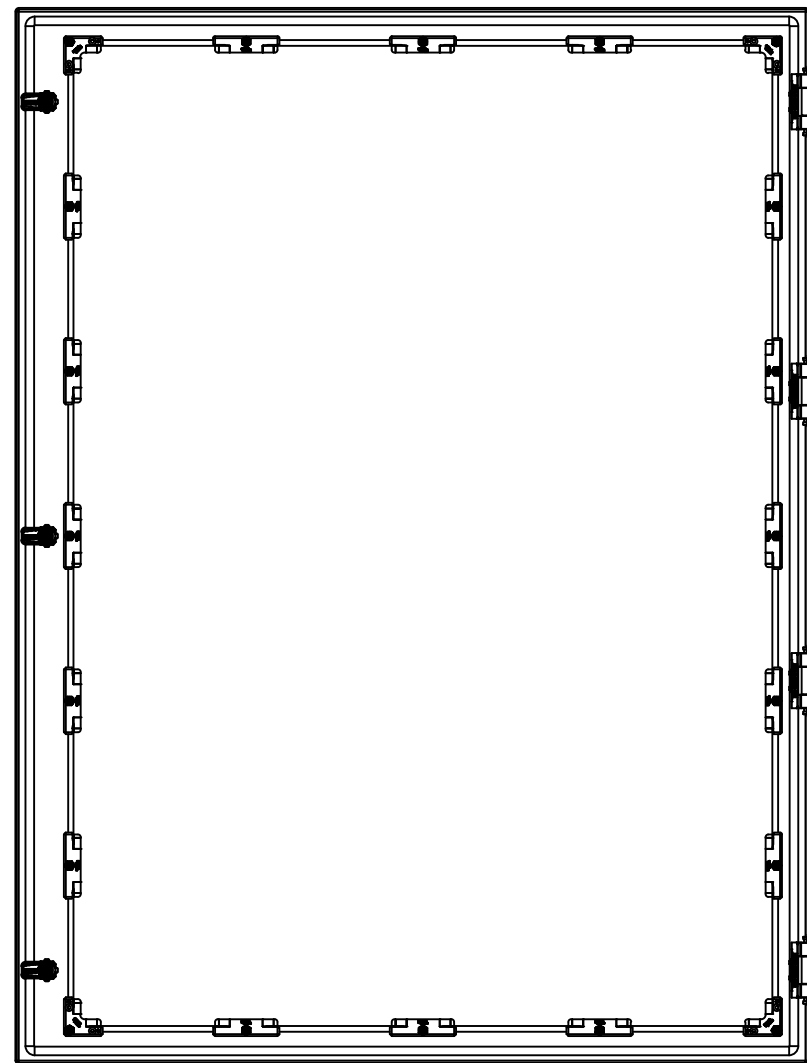
| Qty | Part Number | Rev | Description |
|------------|----------------------|-----|--|
| 1 | STK-S-00100 | 0 | 3.5" x 2" Silver Milar Flexcon Sticker |
| 1 | STK-Q-16080 | 0 | Ground Stud M6 x 16mm Steel |
| 1 | STK-P-02400S | 0 | Powder Paint (Asa-61 Grey / Smooth) |
| 8 | STK-Q-16005 | 1 | Stud M8 x 35 (No Paint Cap Required) |
| 1 | 5412ESW483608NOIPB-P | 0 | 5412ESW 48" x 36" x 8" Body Part |
| Parts List | | | |

This drawing is confidential and must not be reproduced or used without the consent of EXM

Ce dessin est confidentiel et ne doit pas être reproduit ou utilisé sans le consentement de EXM



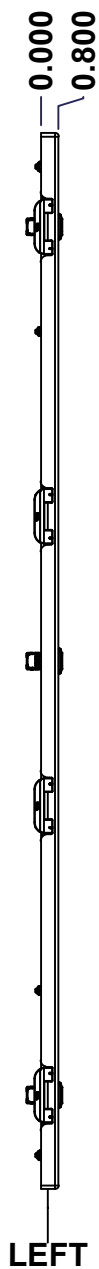
TOP



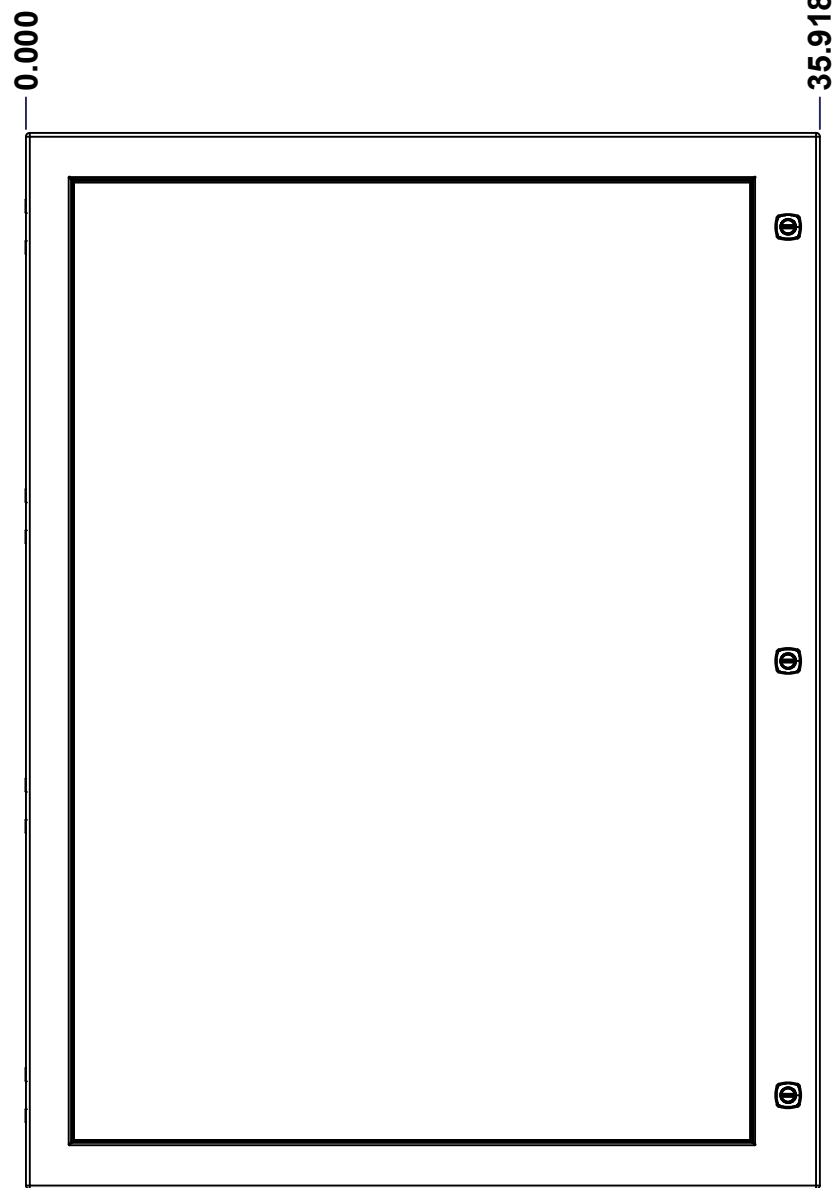
BACK



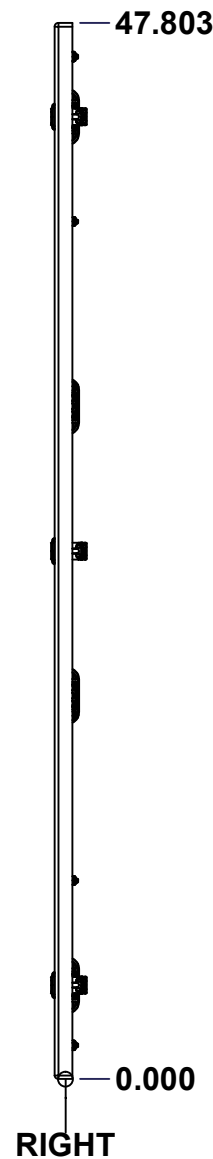
BOTTOM



LEFT

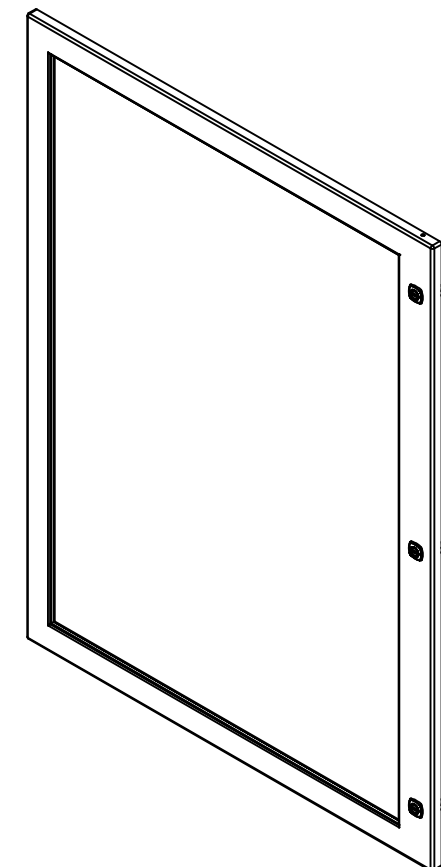


FRONT



RIGHT

| No. | Revisions | Date | By/Par |
|-----|-----------|------|--------|
| | | | |
| | | | |
| | | | |
| | | | |
| | | | |



Isometric View



Tél: (450) 979-4373
 Fax: (450) 979-4626
www.exmweb.com

Flatness
Aplatissement
Max 3.0mm
Projection

| | |
|---|-----------------------|
| Customer Client | Date |
| Drawn By Dessiné Par BoxCad: BoxCad | Date 14-Mar-23 |
| Material Matière 14 Ga Cold Rolled A1008 CS Type B (1.7mm) | |
| Color Couleur Asa-61 Grey | Finish Fini Smooth |
| Description 5412ESW 48" x 36" Cover | Detail Rev. |
| Part Number Numéro Pièce 5412ESW483608NOIPC | Rev. 7 0 |

SEE BILL OF MATERIAL ON LAST PAGE

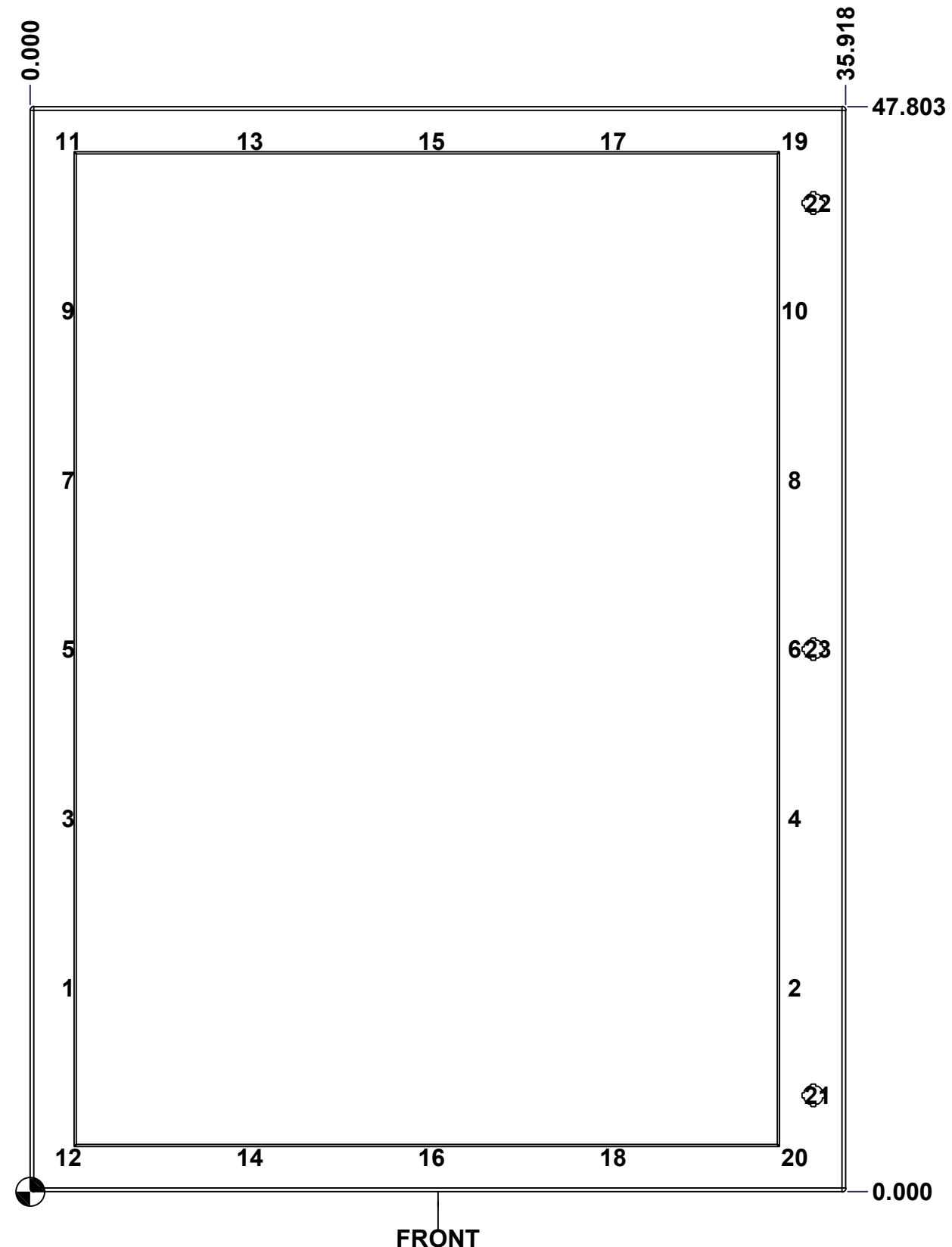
This drawing is confidential and must not be reproduced or used without the consent of EXM

Ce dessin est confidentiel et ne doit pas être reproduit ou utilisé sans le consentement de EXM

STANDARD FEATURES ARE NOT LISTED IN THIS HOLE TABLE

HOLE TABLE - FRONT VIEW (CUSTOM FEATURE ONLY)

| CUT-OUT | XDIM | YDIM | DESCRIPTION |
|---------|--------|--------|-------------------------|
| 1 | 1.469 | 8.985 | STUD M6 x 18mm (Inside) |
| 2 | 33.468 | 8.985 | STUD M6 x 18mm (Inside) |
| 3 | 1.469 | 16.443 | STUD M6 x 18mm (Inside) |
| 4 | 33.468 | 16.443 | STUD M6 x 18mm (Inside) |
| 5 | 1.469 | 23.902 | STUD M6 x 18mm (Inside) |
| 6 | 33.468 | 23.902 | STUD M6 x 18mm (Inside) |
| 7 | 1.469 | 31.360 | STUD M6 x 18mm (Inside) |
| 8 | 33.468 | 31.360 | STUD M6 x 18mm (Inside) |
| 9 | 1.469 | 38.818 | STUD M6 x 18mm (Inside) |
| 10 | 33.468 | 38.818 | STUD M6 x 18mm (Inside) |
| 11 | 1.469 | 46.276 | STUD M6 x 18mm (Inside) |
| 12 | 1.469 | 1.527 | STUD M6 x 18mm (Inside) |
| 13 | 9.469 | 46.276 | STUD M6 x 18mm (Inside) |
| 14 | 9.469 | 1.527 | STUD M6 x 18mm (Inside) |
| 15 | 17.469 | 46.276 | STUD M6 x 18mm (Inside) |
| 16 | 17.469 | 1.527 | STUD M6 x 18mm (Inside) |
| 17 | 25.468 | 46.276 | STUD M6 x 18mm (Inside) |
| 18 | 25.468 | 1.527 | STUD M6 x 18mm (Inside) |
| 19 | 33.468 | 46.276 | STUD M6 x 18mm (Inside) |
| 20 | 33.468 | 1.527 | STUD M6 x 18mm (Inside) |
| ----- | | | |
| 21 | 34.494 | 4.250 | 880 SCQ4-SL |
| 22 | 34.494 | 43.553 | 880 SCQ4-SL |
| 23 | 34.494 | 23.902 | 880 SCQ4-SL |

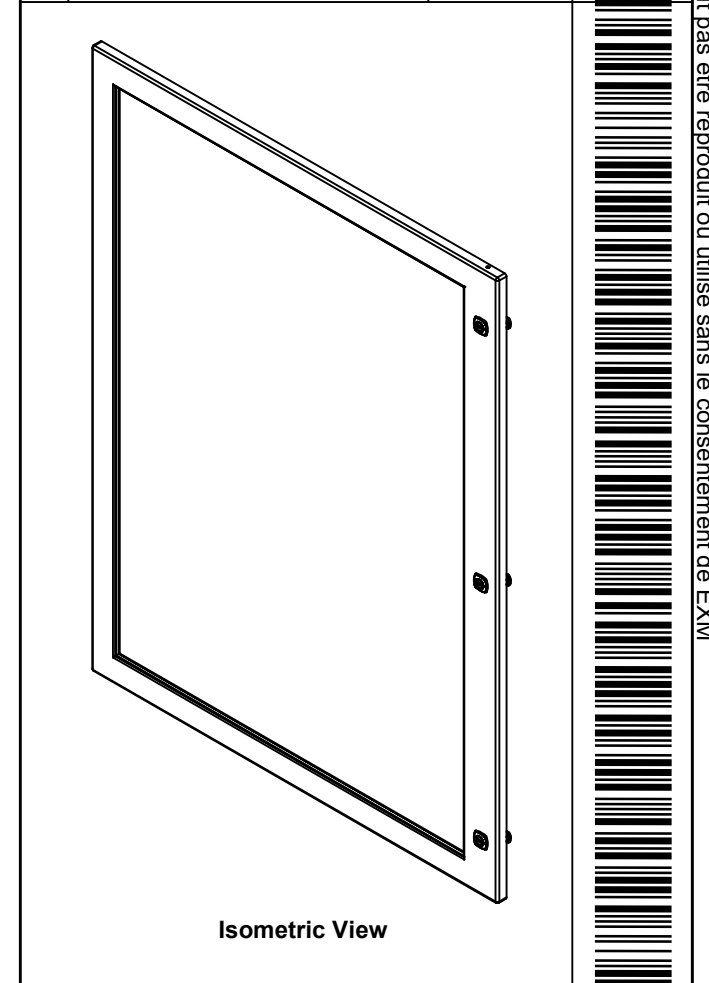


| | | |
|--|-------------------------|--------|
| | Description | Status |
| | 5412ESW 48" x 36" Cover | (NULL) |
| Part Number Numéro Pièce 5412ESW483608NOIPC | Rev. | 8 |
| | 0 | 9 |


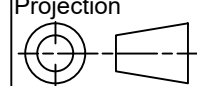
This drawing is confidential and must not be reproduced or used without the consent of EXM

Ce dessin est confidentiel et ne doit pas être reproduit ou utilisé sans le consentement de EXM

| No. | Revisions | Date | By/Par |
|-----|-----------|------|--------|
| | | | |
| | | | |
| | | | |
| | | | |
| | | | |



| | | | |
|------------|-----------------------|-----|---|
| 1 | STK-P-02400S | 0 | Powder Paint (Asa-61 Grey / Smooth) |
| 16 | STK-Q-60701 | 2.1 | 880 WK - Lexan 1/4" Fixing Bracket |
| 1 | STK-A-60703 | 0 | 5412 ESW Lexan Bracket Kit |
| 20 | STK-Q-16052 | 0 | M6 x 23mm Stud (No Paint Cap Required) |
| 1 | STK-G-02710 | 0 | 880 HWKG - Windows Kit Gasket |
| 1 | 5412ESW483608NOIPLX G | 0 | 5412ESW 48" x 36" Lexan Gasket Part |
| 1 | 5412ESW483608NOIPLX | 0 | 5412ESW 44.375" x 32.125" Lexan Part |
| 1 | 5412ESW483608NOIPG | 0 | 5412ESW 48" x 36" Cover Gasket Part |
| 1 | 5412ESW483608NOIPC-P | 0 | 5412ESW 48" x 36" Cover Part |
| 4 | STK-K-09800 | 10 | 5412 ES Hinge with 2 Captive Hinge Pins |
| 3 | STK-K-12500 | 16 | 5412 ES 1/4 Turn Lock |
| Qty | Part Name | Rev | Description |
| Parts List | | | |

| | | |
|--|---|---|
|  Tél: (450) 979-4373 Fax: (450) 979-4626 www.exmweb.com | | Flatness Aplatissement Max 3.0mm Projection  |
| Customer Client | Date | |
| Drawn By Dessiné Par | BoxCad: BoxCad | Date 14-Mar-23 |
| Material Matière | 14 Ga Cold Rolled A1008 CS Type B (1.7mm) | |
| Color Couleur | Asa-61 Grey | Finish Fini Smooth |
| Description | | Detail Rev. |
| 5412ESW 48" x 36" Cover | | |
| Part Number Numéro Pièce | Rev. | 9 |
| 5412ESW483608NOIPC | 0 | 9 |