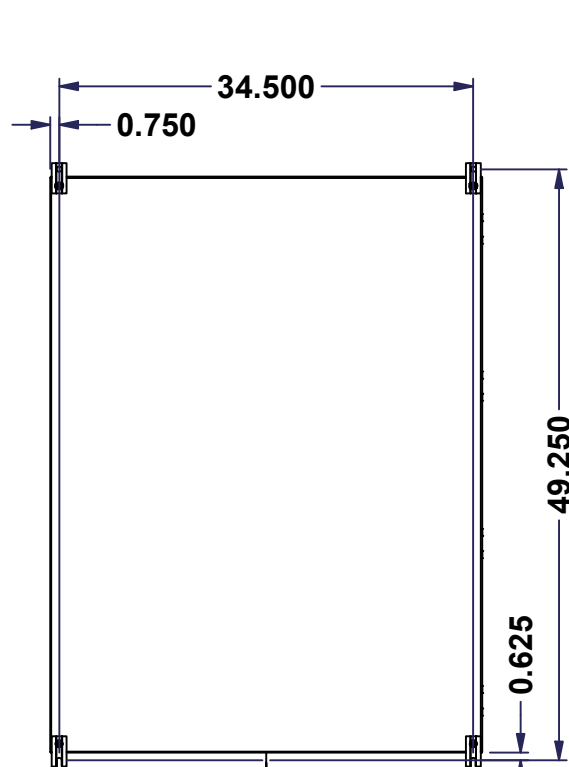


This drawing is confidential and must not be reproduced or used without the consent of EXM

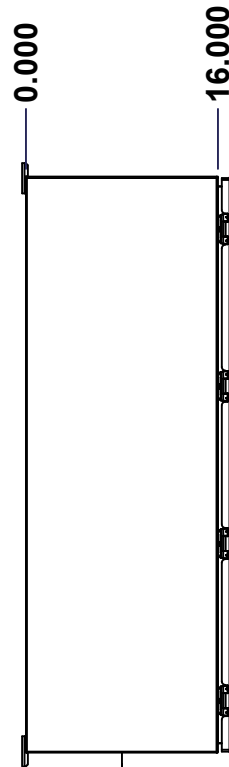
Ce dessin est confidentiel et ne doit pas être reproduit ou utilisé sans le consentement de EXM



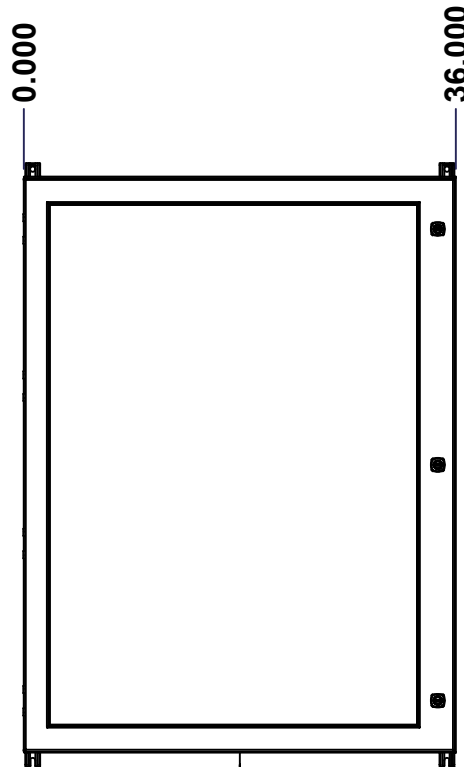
TOP



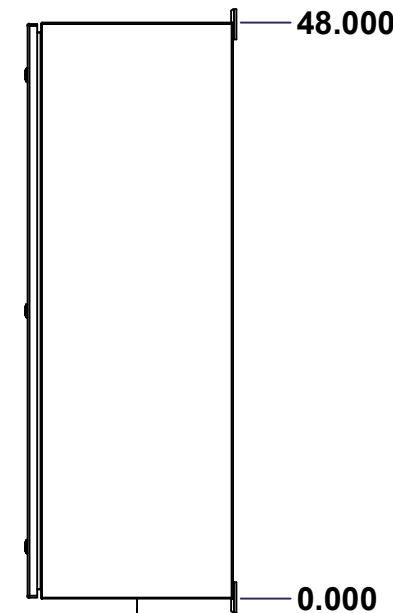
BACK



LEFT



FRONT

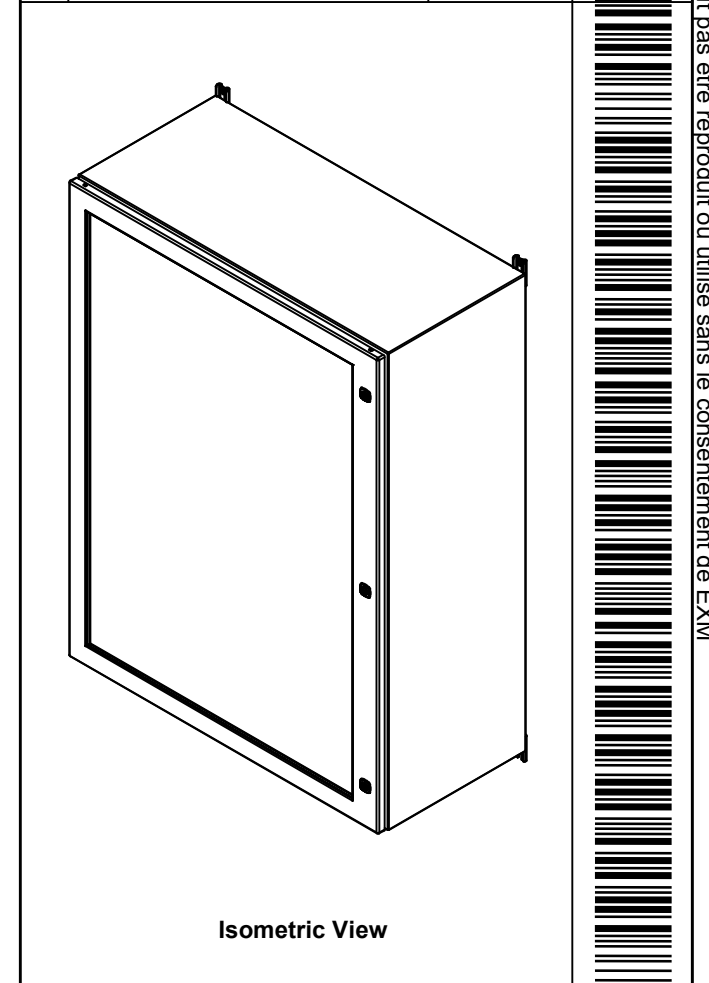


RIGHT




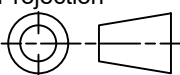
BOTTOM

| No. | Revisions | Date | By/Par |
|-----|-----------|------|--------|
| | | | |
| | | | |
| | | | |
| | | | |



Isometric View



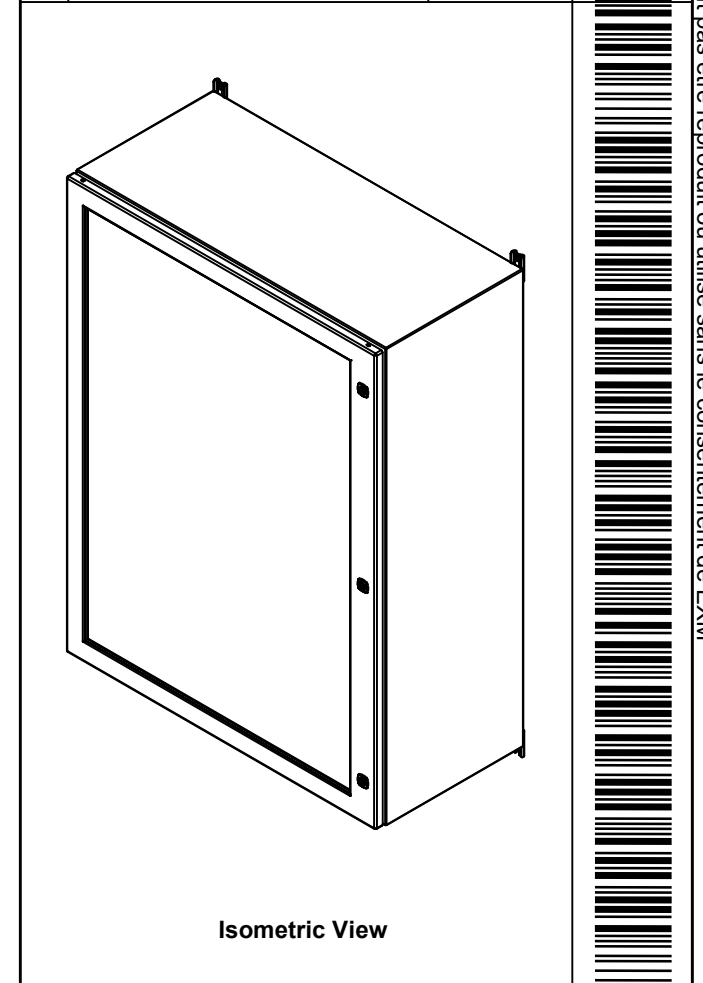
| | | |
|----------------------------------------------------------------------------------------------------------------------------------------------------------------------------------------|-------------------------------------------|-----------------------------------------------------------------------------------------------------------------------------------------------|
|  Tél: (450) 979-4373 Fax: (450) 979-4626 www.exmweb.com | | Flatness Aplatissement Max 3.0mm Projection  |
| Customer Client | Date | Date |
| Drawn By Dessiné Par | BoxCad: BoxCad | 21-Mar-23 |
| Material Matière | 14 Ga Cold Rolled A1008 CS Type B (1.7mm) | |
| Color Couleur | Asa-61 Grey | Finish Fini Smooth |
| Description | 5412ESW 48" x 36" x 16" Assembly | |
| Part Number Numéro Pièce | Rev. | 1 |
| SEE BILL OF MATERIAL ON LAST PAGE | | 0 |
| 5412ESW483616THNOIP | | 15 |

This drawing is confidential and must not be reproduced or used without the consent of EXM

Ce dessin est confidentiel et ne doit pas être reproduit ou utilisé sans le consentement de EXM


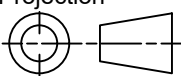
| NOTE | |
|------|-------------------------------------------------|
| ITEM | DESCRIPTION |
| 1 | NEMA 4/12 Enclosure |
| 2 | C/W Standard ground studs on box and cover |
| 3 | W/O Standard door stiffener |
| 4 | W/O Inner panel |
| 5 | C/W Standard inner panel mounting studs |
| 6 | C/W 885 ESMF3_OPEN Sold separately (Installed) |
| 7 | C/W 885 ESMF3_CLOSE Sold separately (Installed) |
| 8 | C/W R5 Insulation (Installed by EXM) |

| No. | Revisions | Date | By/Par |
|-----|-----------|------|--------|
| | | | |
| | | | |
| | | | |
| | | | |
| | | | |
| | | | |
| | | | |



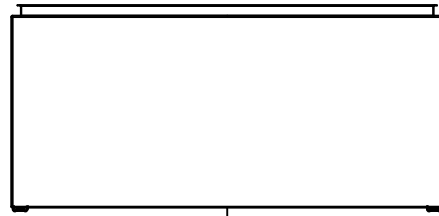
| PACKING | | |
|-----------------------|-----|------------------------------------------------|
| ITEM | QTY | DESCRIPTION |
| Cardboard sleeve | 2 | Top and Bottom |
| Cardboard strip | 2 | Between back of enclosure and inner panel |
| Plastic bag | 1 | To protect cover surface and inside gasket |
| Cardboard corner | 4 | To reinforced for the plastic strap tightening |
| Plastic strap - Black | 2 | To Squeeze the 2 cardboard sleeve together |
| Packaging label | 3 | White label with PN |
| Plastic strap- Green | 2 | To secure the enclosure to the wood pallet |
| Wood Pallet | 1 | 2" deeper and 3" larger than enclosure size |

| | | | |
|------------|-----------------------|-----|--------------------------------------------|
| 8 | STK-Q-00600 | 2 | M12 to M8 Adaptor |
| 1 | STK-K-01800 | 5 | 5412 ES Accessory Kit |
| 1 | 5412ESW483616THNOIP C | 0 | 5412ESW 48" x 36" Cover |
| 1 | 5412ESW483616THNOIP B | 0 | 5412ESW 48" x 36" x 16" Body |
| 4 | STK-Q-04050-08 | 0 | M6 x 8mm Hexagon Socket Head Machine Screw |
| Qty | Part Number | Rev | Description |
| Parts List | | | |

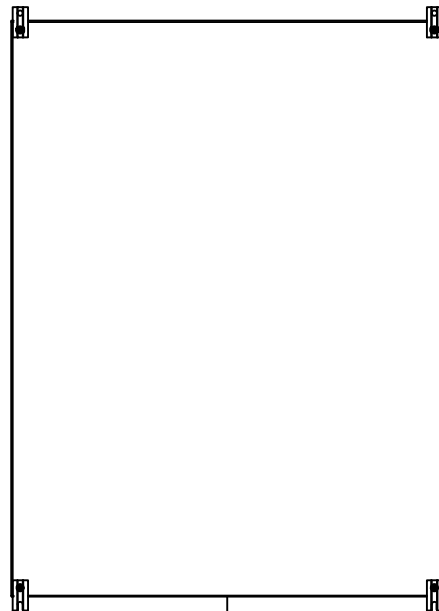
| | | |
|----------------------------------------------------------------------------------------------------------------------------------------------------------------------------------------|-------------------------------------------|-----------------------------------------------------------------------------------------------------------------------------------------------|
|  Tél: (450) 979-4373 Fax: (450) 979-4626 www.exmweb.com | | Flatness Aplatissement Max 3.0mm Projection  |
| Customer Client | Date | |
| Drawn By Dessiné Par | BoxCad: BoxCad | Date 21-Mar-23 |
| Material Matière | 14 Ga Cold Rolled A1008 CS Type B (1.7mm) | |
| Color Couleur | Asa-61 Grey | Finish Fini Smooth |
| Description | Detail Rev. | |
| 5412ESW 48" x 36" x 16" Assembly | | |
| Part Number Numéro Pièce | Rev. 0 | 2 / 15 |
| 5412ESW483616THNOIP | | |

This drawing is confidential and must not be reproduced or used without the consent of EXM

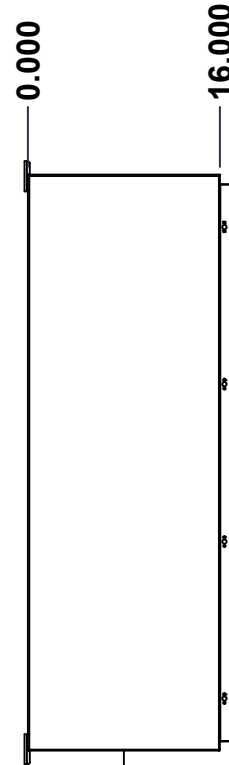
Ce dessin est confidentiel et ne doit pas être reproduit ou utilisé sans le consentement de EXM



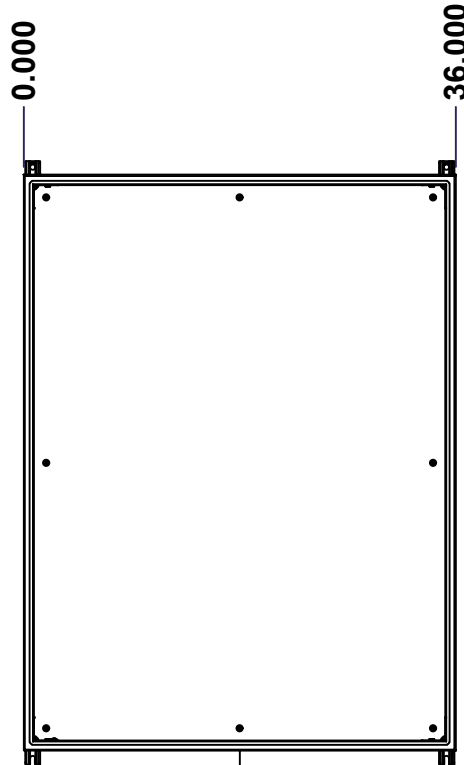
TOP



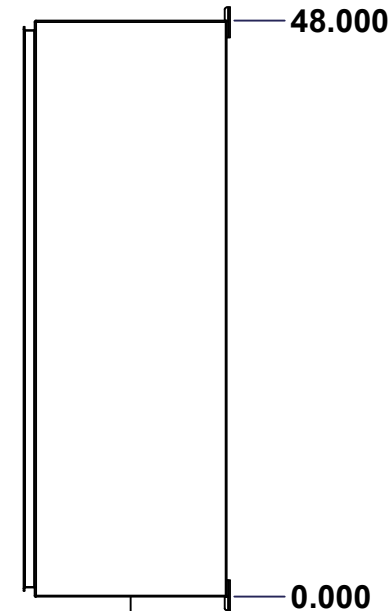
BACK



LEFT



FRONT

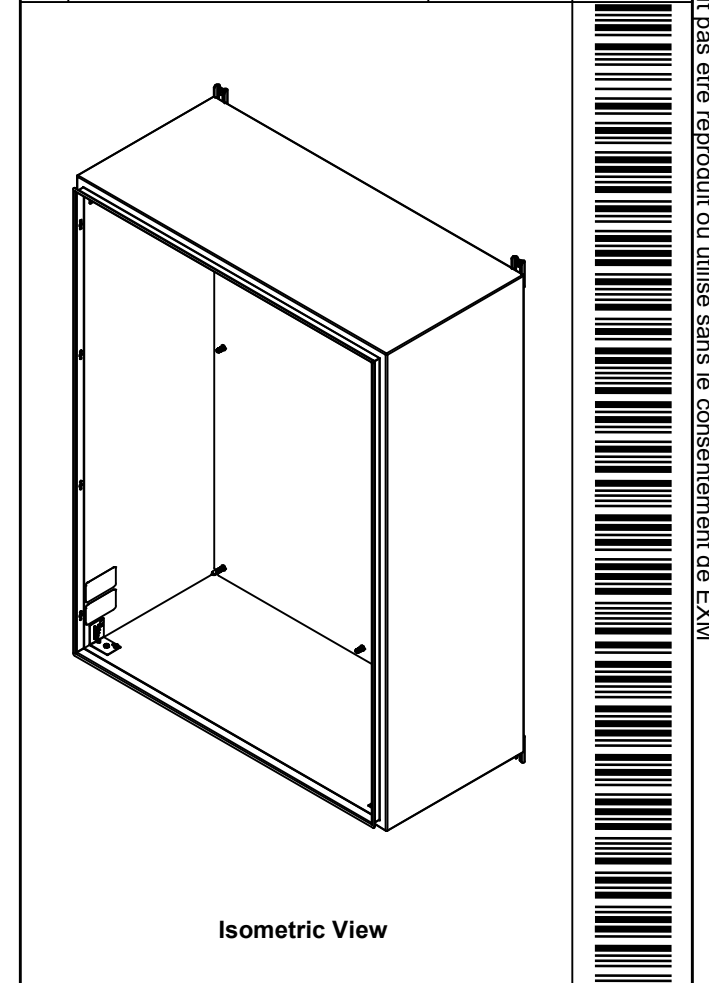


RIGHT




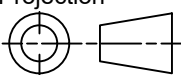
BOTTOM

| No. | Revisions | Date | By/Par |
|-----|-----------|------|--------|
| | | | |
| | | | |
| | | | |
| | | | |



Isometric View



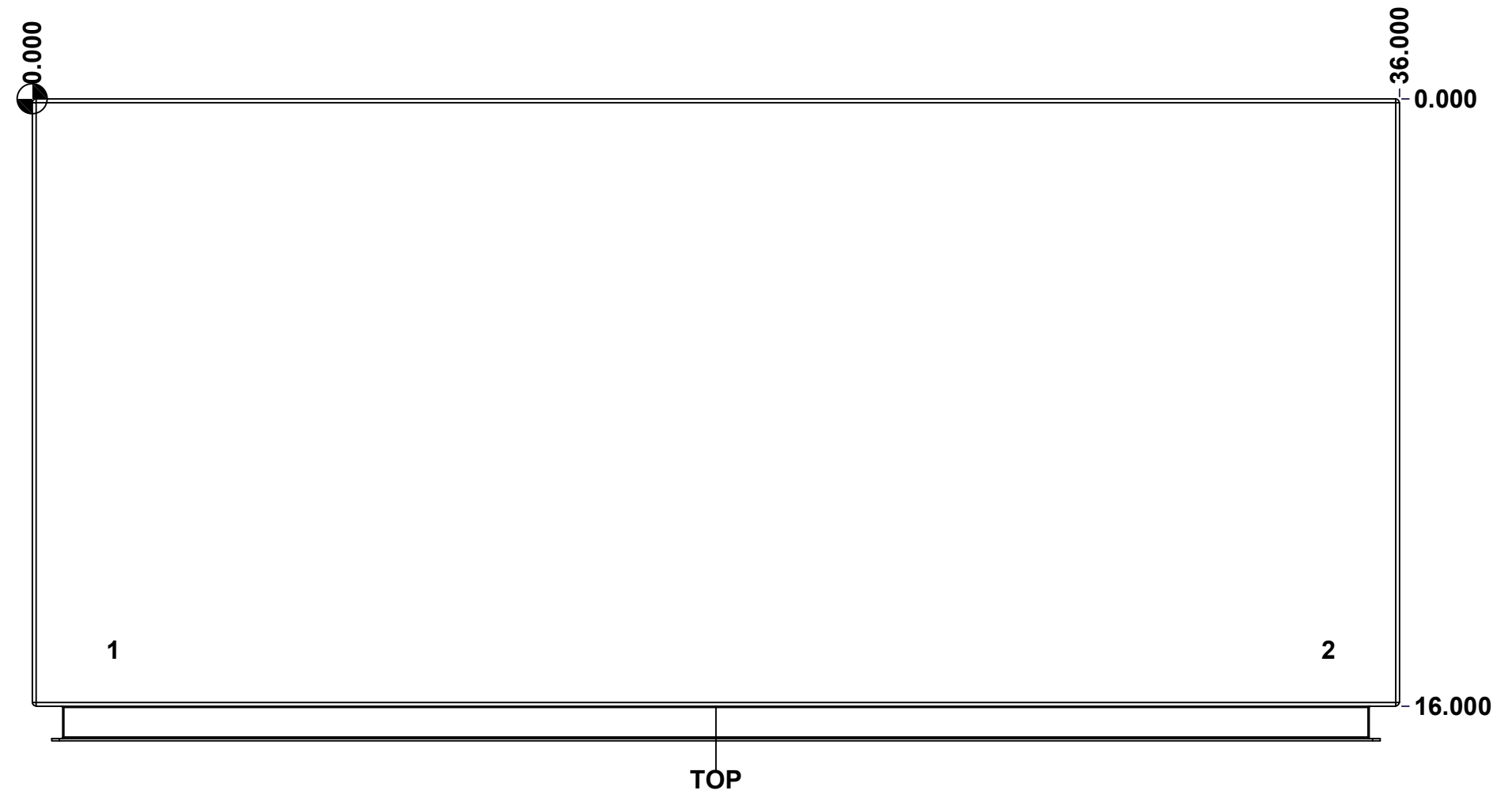
| | | |
|----------------------------------------------------------------------------------------------------------------------------------------------------------------------------------------|-------------------------------------------|-----------------------------------------------------------------------------------------------------------------------------------------------|
|  Tél: (450) 979-4373 Fax: (450) 979-4626 www.exmweb.com | | Flatness Aplatissement Max 3.0mm Projection  |
| Customer Client | Date | |
| Drawn By Dessiné Par | BoxCad: BoxCad | Date 21-Mar-23 |
| Material Matière | 14 Ga Cold Rolled A1008 CS Type B (1.7mm) | |
| Color Couleur | Asa-61 Grey | Finish Fini Smooth |
| Description | Detail Rev. | |
| 5412ESW 48" x 36" x 16" Body | | |
| Part Number Numéro Pièce | Rev. 0 | 3 |

SEE BILL OF MATERIAL ON LAST PAGE **5412ESW483616THNOIPB**

This drawing is confidential and must not be reproduced or used without the consent of EXM

Ce dessin est confidentiel et ne doit pas être reproduit ou utilisé sans le consentement de EXM

| STANDARD FEATURES ARE NOT LISTED IN THIS HOLE TABLE | | | |
|-----------------------------------------------------|--------|--------|--------------------------------|
| HOLE TABLE - TOP VIEW (CUSTOM FEATURE ONLY) | | | |
| CUT-OUT | XDIM | YDIM | DESCRIPTION |
| 1 | 2.000 | 14.500 | INSUL. STUD M6 x 18mm (Inside) |
| 2 | 34.000 | 14.500 | INSUL. STUD M6 x 18mm (Inside) |

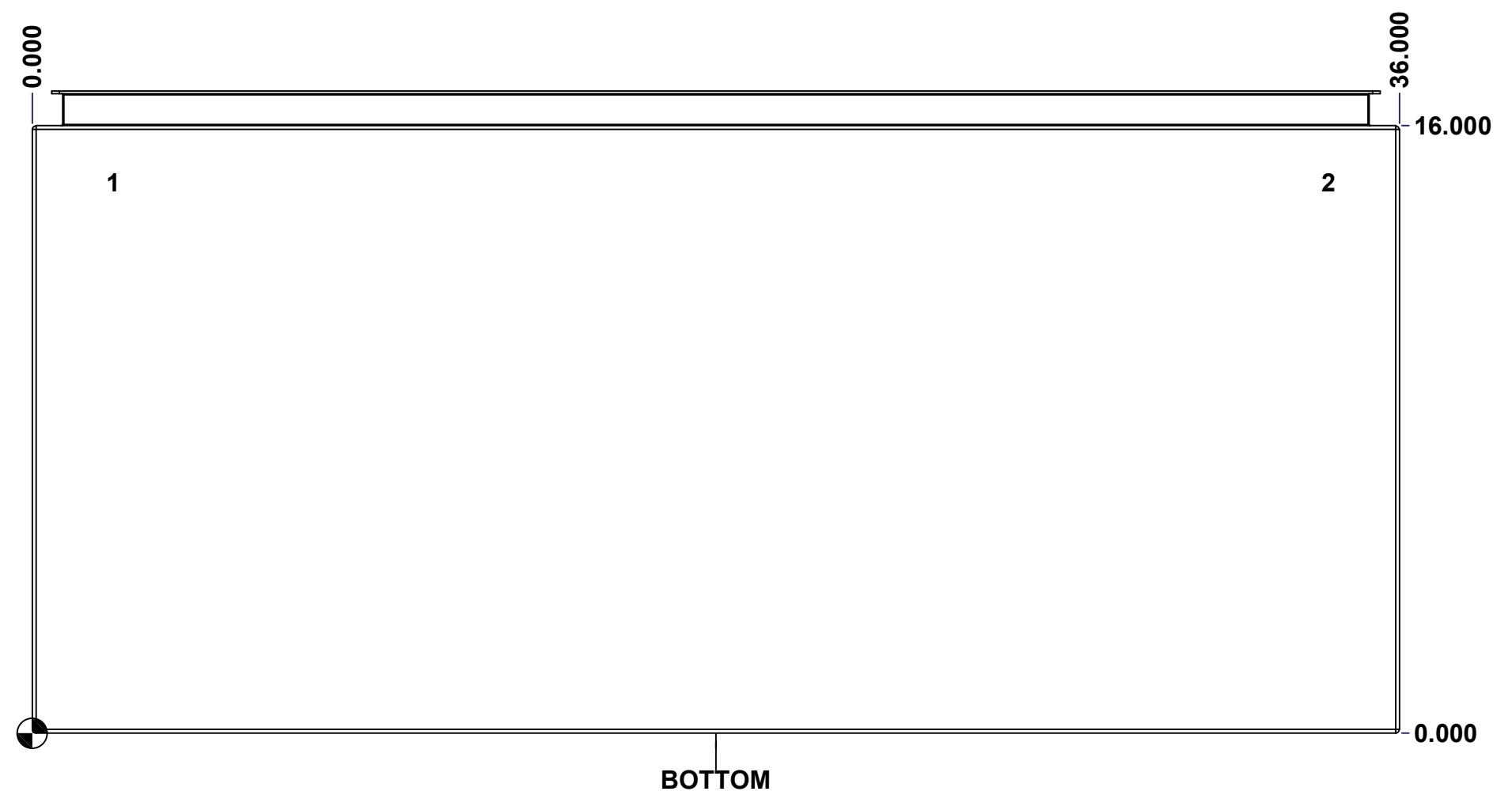


| | | |
|--|------------------------------|----------|
| | Description | Status |
| | 5412ESW 48" x 36" x 16" Body | (NULL) |
| | Part Number Numéro Pièce | Rev. |
| | 5412ESW483616THNOIPB | 0 |
| | | 4 |
| | | 15 |

This drawing is confidential and must not be reproduced or used without the consent of EXM

Ce dessin est confidentiel et ne doit pas être reproduit ou utilisé sans le consentement de EXM

| STANDARD FEATURES ARE NOT LISTED IN THIS HOLE TABLE | | | |
|------------------------------------------------------------|--------|--------|--------------------------------|
| HOLE TABLE - BOTTOM VIEW (CUSTOM FEATURE ONLY) | | | |
| CUT-OUT | XDIM | YDIM | DESCRIPTION |
| 1 | 2.000 | 14.500 | INSUL. STUD M6 x 18mm (Inside) |
| 2 | 34.000 | 14.500 | INSUL. STUD M6 x 18mm (Inside) |



| | | |
|--|------------------------------|--------------|
| | Description | Status |
| | 5412ESW 48" x 36" x 16" Body | (NULL) |
| | Part Number Numéro Pièce | Rev. |
| | 5412ESW483616THNOIPB | 0 / 5 |
| | | 15 |

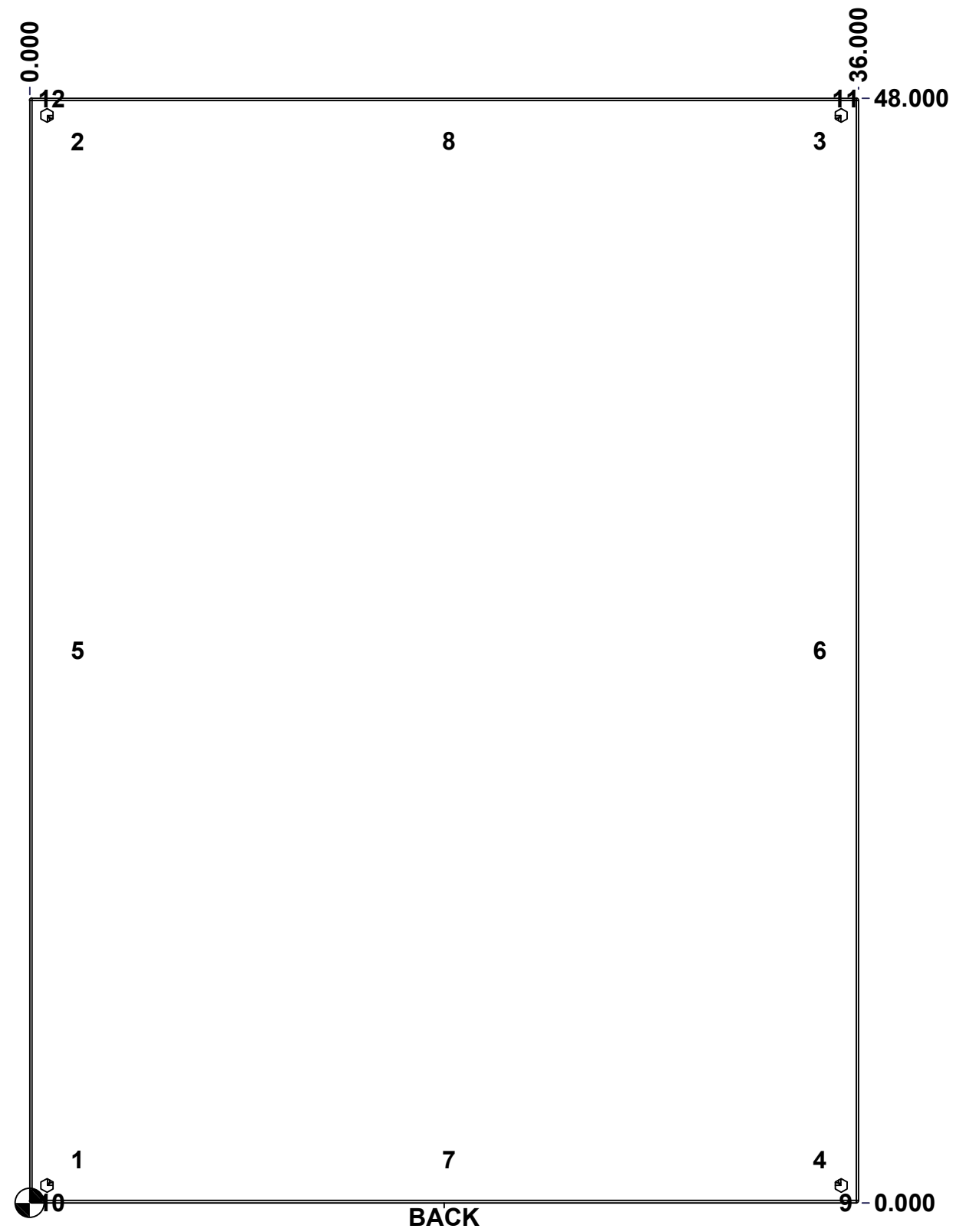
This drawing is confidential and must not be reproduced or used without the consent of EXM

Ce dessin est confidentiel et ne doit pas être reproduit ou utilisé sans le consentement de EXM

STANDARD FEATURES ARE NOT LISTED IN THIS HOLE TABLE

HOLE TABLE - BACK VIEW (CUSTOM FEATURE ONLY)

| CUT-OUT | XDIM | YDIM | DESCRIPTION |
|---------|--------|--------|----------------------------|
| 1 | 1.875 | 1.875 | IP STUD M8 x 35mm (Inside) |
| 2 | 1.875 | 46.125 | IP STUD M8 x 35mm (Inside) |
| 3 | 34.125 | 46.125 | IP STUD M8 x 35mm (Inside) |
| 4 | 34.125 | 1.875 | IP STUD M8 x 35mm (Inside) |
| 5 | 1.875 | 24.000 | IP STUD M8 x 35mm (Inside) |
| 6 | 34.125 | 24.000 | IP STUD M8 x 35mm (Inside) |
| 7 | 18.000 | 1.875 | IP STUD M8 x 35mm (Inside) |
| 8 | 18.000 | 46.125 | IP STUD M8 x 35mm (Inside) |
| ----- | | | |
| 9 | 35.250 | 0.000 | FOOT 885 ESMF3_OPEN |
| 10 | 0.750 | 0.000 | FOOT 885 ESMF3_OPEN |
| 11 | 35.250 | 48.000 | FOOT 885 ESMF3_CLOSE |
| 12 | 0.750 | 48.000 | FOOT 885 ESMF3_CLOSE |

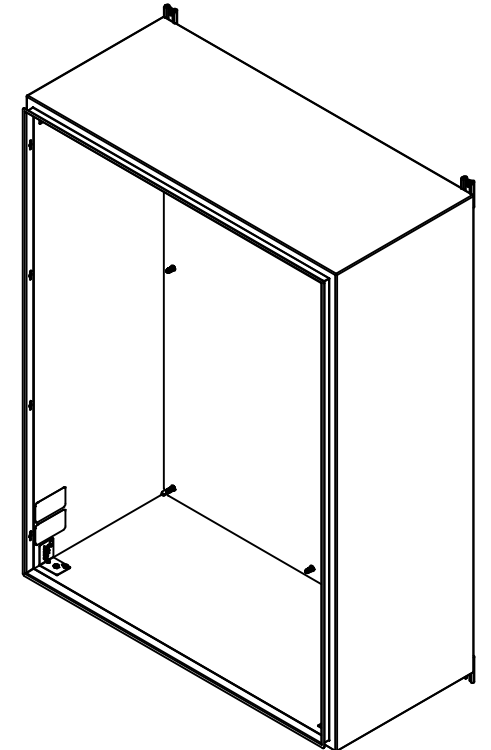


| | | |
|------------------------------------------------------------|------------------------------|--------|
| | Description | Status |
| | 5412ESW 48" x 36" x 16" Body | (NULL) |
| Part Number Numéro Pièce 5412ESW483616THNOIPB | Rev. | 6 |
| | 0 | 15 |

This drawing is confidential and must not be reproduced or used without the consent of EXM

Ce dessin est confidentiel et ne doit pas être reproduit ou utilisé sans le consentement de EXM

| No. | Revisions | Date | By/Par |
|-----|-----------|------|--------|
| | | | |
| | | | |
| | | | |
| | | | |
| | | | |



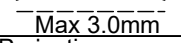


Isometric View



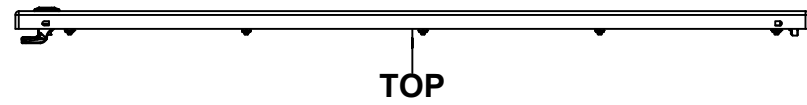
| | | | |
|---|-------------------------|---|---------------------------------------------|
| 2 | 885ESMF3-FEET | 0 | 885 ESMF3 Mounting Foot |
| 4 | RIVET_NUT_M10_FH_CE | 0 | Rivet Nut M10 (Low Profile Close End) |
| 4 | STK-Q-06660 | 2 | M10 x 16mm Machine Screw |
| 2 | 885ESMF3-FEET-A | 0 | 885 ESMF3 Mounting Foot (Opened Slot) |
| 2 | STK-S-00100 | 0 | 3.5" x 2" Silver Milar Flexcon Sticker |
| 1 | STK-K-70554 | 3 | 5412 ESTH Accessory Kit |
| 1 | 5412ESW483616THNOIPI-RS | 0 | 5412ESW 48" x 36" Right Insulation |
| 1 | 5412ESW483616THNOIPI-LS | 0 | 5412ESW 48" x 36" Left Insulation |
| 1 | 5412ESW483616THNOIPI-BT | 0 | 5412ESW 48" x 36" Top and Bottom Insulation |
| 1 | 5412ESW483616THNOIPI-TP | 0 | 5412ESW 48" x 36" Top and Bottom Insulation |
| 1 | 5412ESW483616THNOIPI-B | 0 | 5412ESW 48" x 36" Back Insulation |
| 4 | STK-Q-16055 | 1 | M6 x 18mm Stud (No Paint Cap Required) |
| 1 | STK-P-02400S | 0 | Powder Paint (Asa-61 Grey / Smooth) |
| 8 | STK-Q-16005 | 1 | Stud M8 x 35 (No Paint Cap Required) |
| 1 | 5412ESW483616THNOIPB-P | 0 | 5412ESW 48" x 36" x 16" Body Part |

| Qty | Part Number | Rev | Description |
|------------|-------------|-----|-------------|
| Parts List | | | |

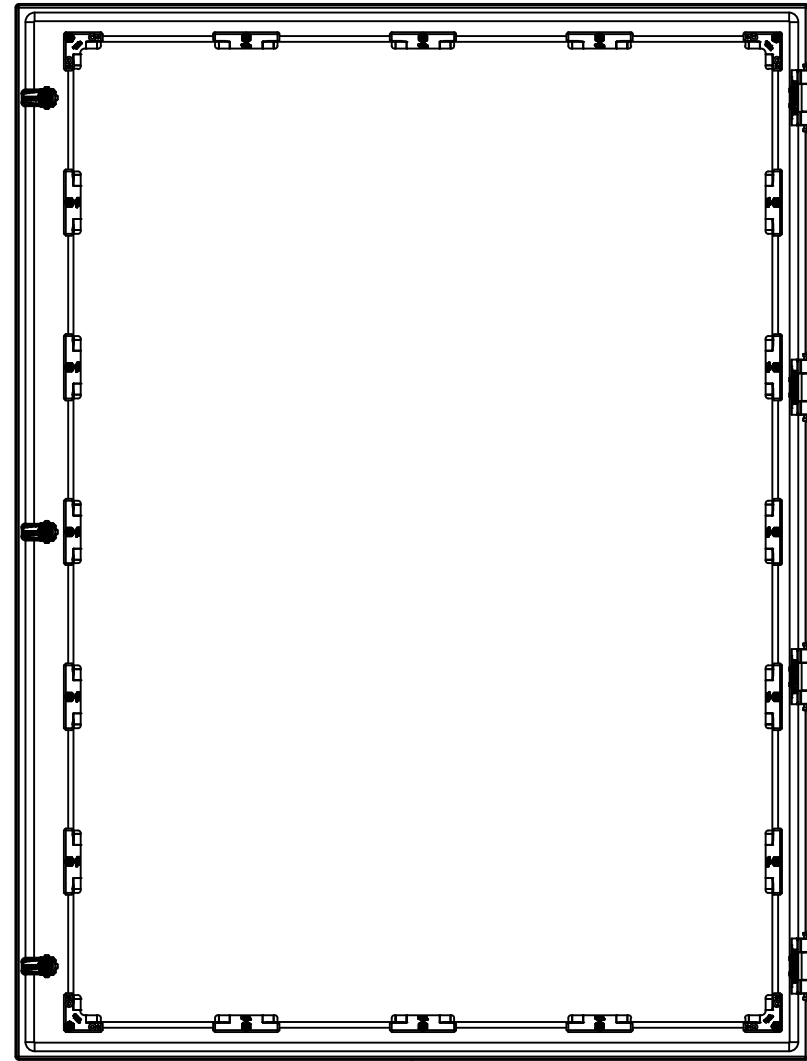
| | |
|----------------------------------------------------------------------------------------------------------------------------------------------------------------------------------------|------------------------------------------------------------------------------------------------------------------------------|
|  Tél: (450) 979-4373 Fax: (450) 979-4626 www.exmweb.com | Flatness Aplatissement  Max 3.0mm |
| | Projection  |
| Customer Client | Date |
| Drawn By Dessiné Par BoxCad: BoxCad | Date 21-Mar-23 |
| Material Matière 14 Ga Cold Rolled A1008 CS Type B (1.7mm) | |
| Color Couleur Asa-61 Grey | Finish Fini Smooth |
| Description 5412ESW 48" x 36" x 16" Body | Detail Rev. |
| Part Number Numéro Pièce 5412ESW483616THNOIPB | Rev. 0 |

This drawing is confidential and must not be reproduced or used without the consent of EXM

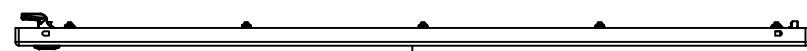
Ce dessin est confidentiel et ne doit pas être reproduit ou utilisé sans le consentement de EXM



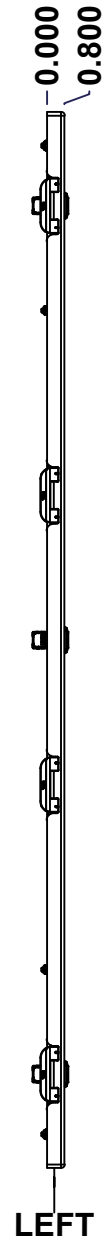
TOP



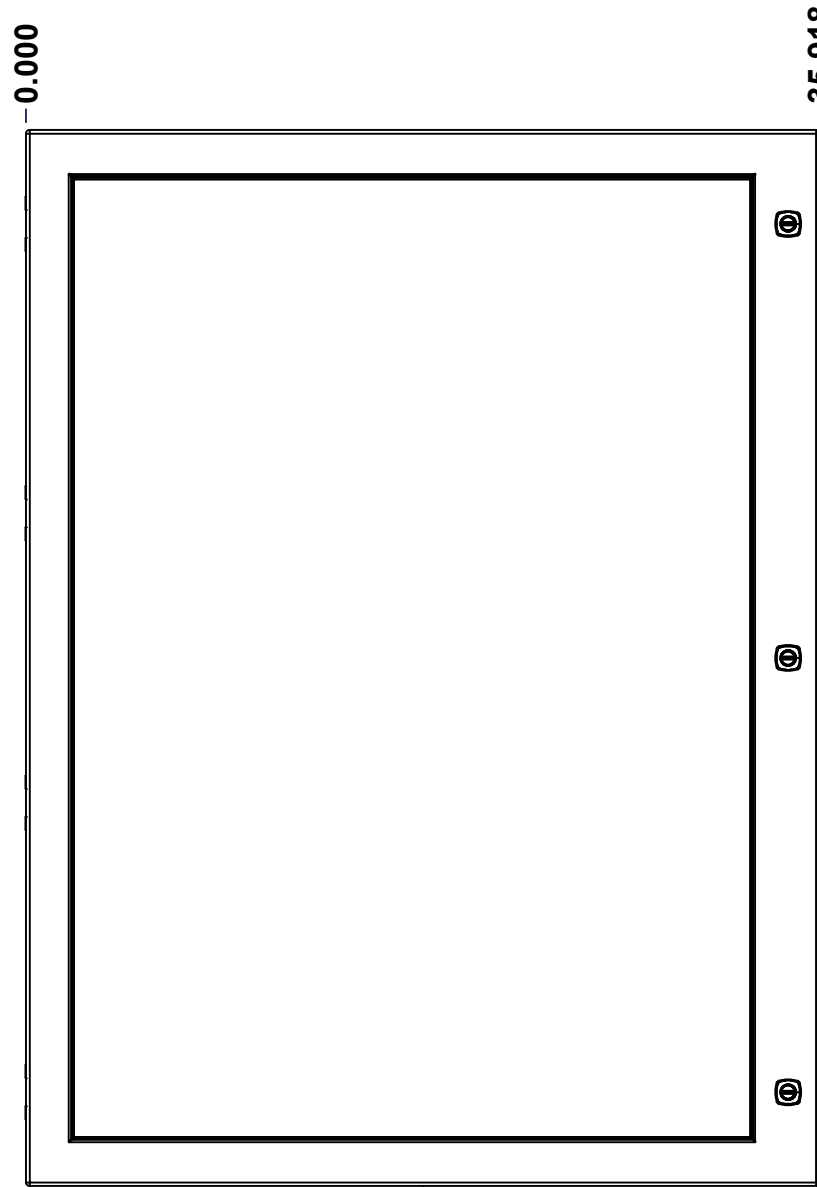
BACK



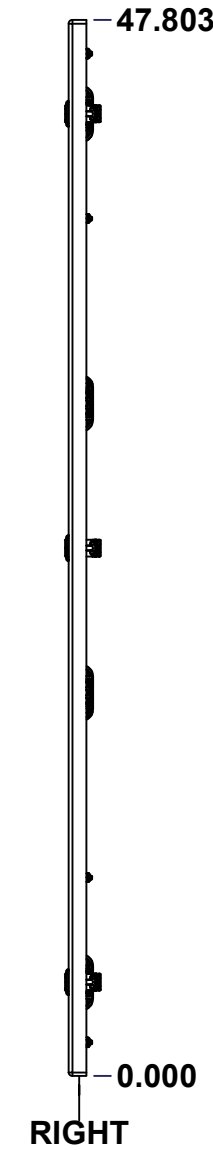
BOTTOM



LEFT

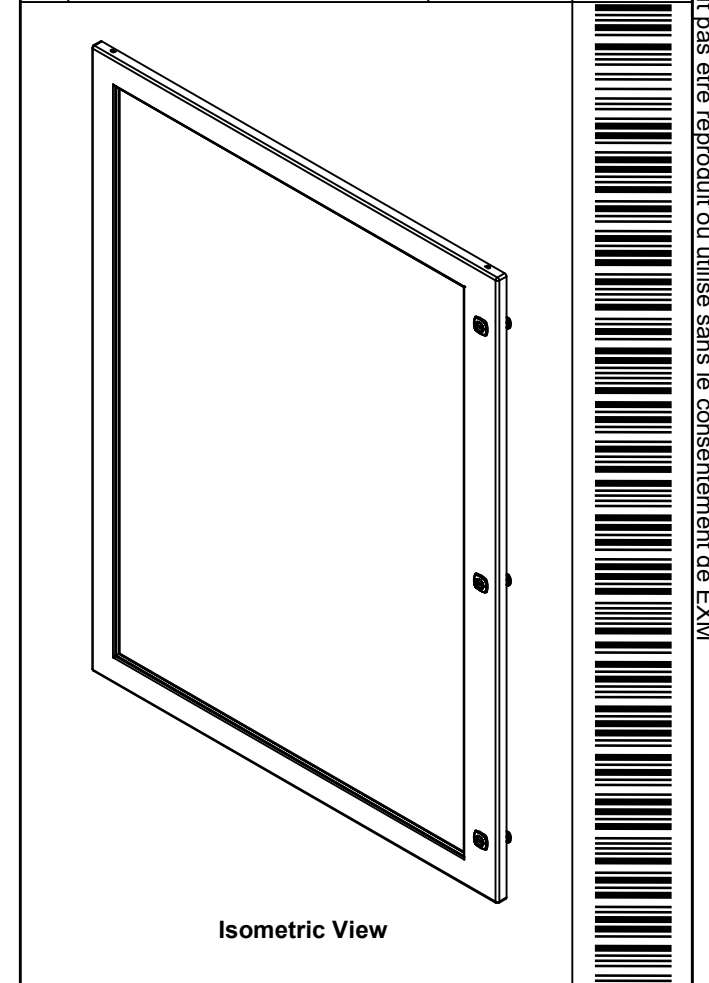


FRONT



RIGHT

| No. | Revisions | Date | By/Par |
|-----|-----------|------|--------|
| | | | |
| | | | |
| | | | |
| | | | |



Isometric View



| | | |
|--------------------------------------------------------------------------------------------------|-------------------------------------------|----------------------------------------------------------|
| Tél: (450) 979-4373 Fax: (450) 979-4626 www.exmweb.com | | Flatness Aplatissement Max 3.0mm Projection |
| Customer Client | Date | |
| Drawn By Dessiné Par | BoxCad: BoxCad | Date 21-Mar-23 |
| Material Matière | 14 Ga Cold Rolled A1008 CS Type B (1.7mm) | |
| Color Couleur | Asa-61 Grey | Finish Fini Smooth |
| Description | Detail Rev. | |
| 5412ESW 48" x 36" Cover | | |
| Part Number Numéro Pièce | Rev. 8 | |
| SEE BILL OF MATERIAL ON LAST PAGE 5412ESW483616THNOIPC | | 0 |

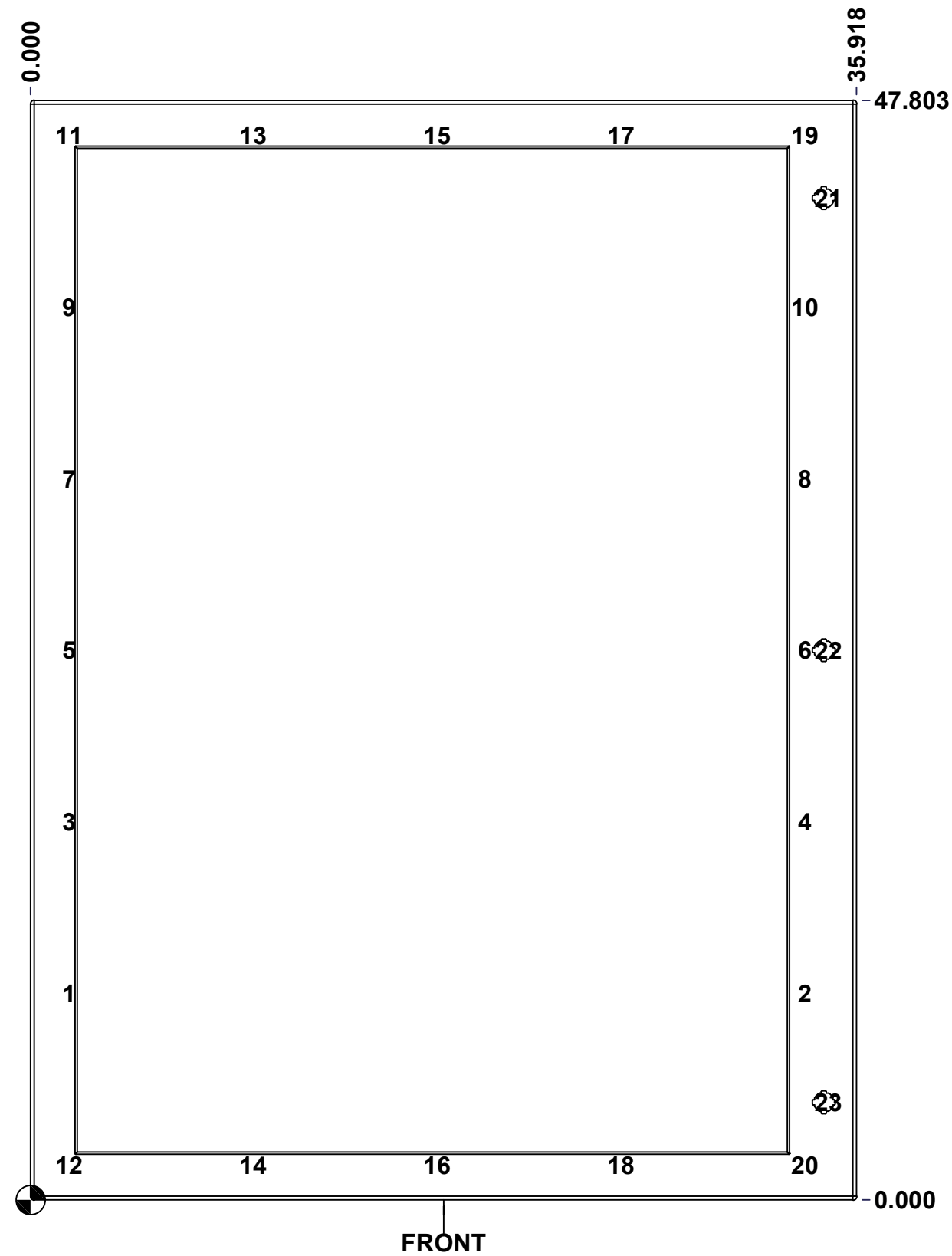
This drawing is confidential and must not be reproduced or used without the consent of EXM

Ce dessin est confidentiel et ne doit pas être reproduit ou utilisé sans le consentement de EXM

STANDARD FEATURES ARE NOT LISTED IN THIS HOLE TABLE

HOLE TABLE - FRONT VIEW (CUSTOM FEATURE ONLY)

| CUT-OUT | XDIM | YDIM | DESCRIPTION |
|---------|--------|--------|-------------------------|
| 1 | 1.469 | 8.985 | STUD M6 x 18mm (Inside) |
| 2 | 33.468 | 8.985 | STUD M6 x 18mm (Inside) |
| 3 | 1.469 | 16.443 | STUD M6 x 18mm (Inside) |
| 4 | 33.468 | 16.443 | STUD M6 x 18mm (Inside) |
| 5 | 1.469 | 23.902 | STUD M6 x 18mm (Inside) |
| 6 | 33.468 | 23.902 | STUD M6 x 18mm (Inside) |
| 7 | 1.469 | 31.360 | STUD M6 x 18mm (Inside) |
| 8 | 33.468 | 31.360 | STUD M6 x 18mm (Inside) |
| 9 | 1.469 | 38.818 | STUD M6 x 18mm (Inside) |
| 10 | 33.468 | 38.818 | STUD M6 x 18mm (Inside) |
| 11 | 1.469 | 46.276 | STUD M6 x 18mm (Inside) |
| 12 | 1.469 | 1.527 | STUD M6 x 18mm (Inside) |
| 13 | 9.469 | 46.276 | STUD M6 x 18mm (Inside) |
| 14 | 9.469 | 1.527 | STUD M6 x 18mm (Inside) |
| 15 | 17.469 | 46.276 | STUD M6 x 18mm (Inside) |
| 16 | 17.469 | 1.527 | STUD M6 x 18mm (Inside) |
| 17 | 25.468 | 46.276 | STUD M6 x 18mm (Inside) |
| 18 | 25.468 | 1.527 | STUD M6 x 18mm (Inside) |
| 19 | 33.468 | 46.276 | STUD M6 x 18mm (Inside) |
| 20 | 33.468 | 1.527 | STUD M6 x 18mm (Inside) |
| ----- | | | |
| 21 | 34.494 | 43.553 | 880 SCQ4-SL |
| 22 | 34.494 | 23.902 | 880 SCQ4-SL |
| 23 | 34.494 | 4.250 | 880 SCQ4-SL |

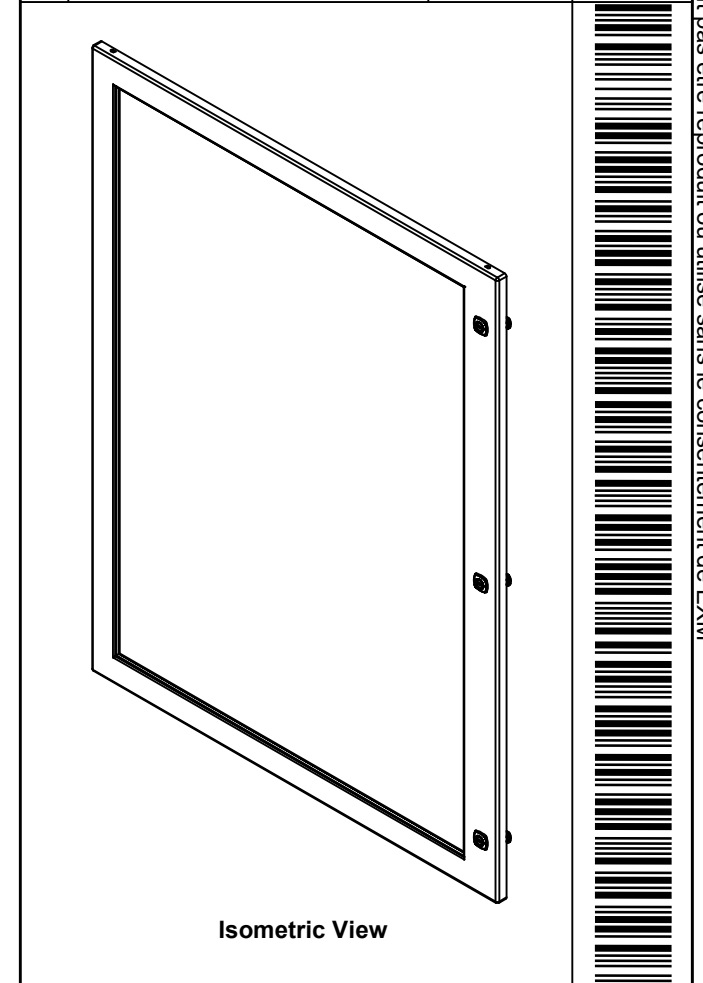


| | | |
|------------------------------------------------------------|-------------------------|--------|
| | Description | Status |
| | 5412ESW 48" x 36" Cover | (NULL) |
| Part Number Numéro Pièce 5412ESW483616THNOIPC | Rev. | 9 |
| | 0 | 15 |

This drawing is confidential and must not be reproduced or used without the consent of EXM

Ce dessin est confidentiel et ne doit pas être reproduit ou utilisé sans le consentement de EXM

| No. | Revisions | Date | By/Par |
|-----|-----------|------|--------|
| | | | |
| | | | |
| | | | |
| | | | |
| | | | |

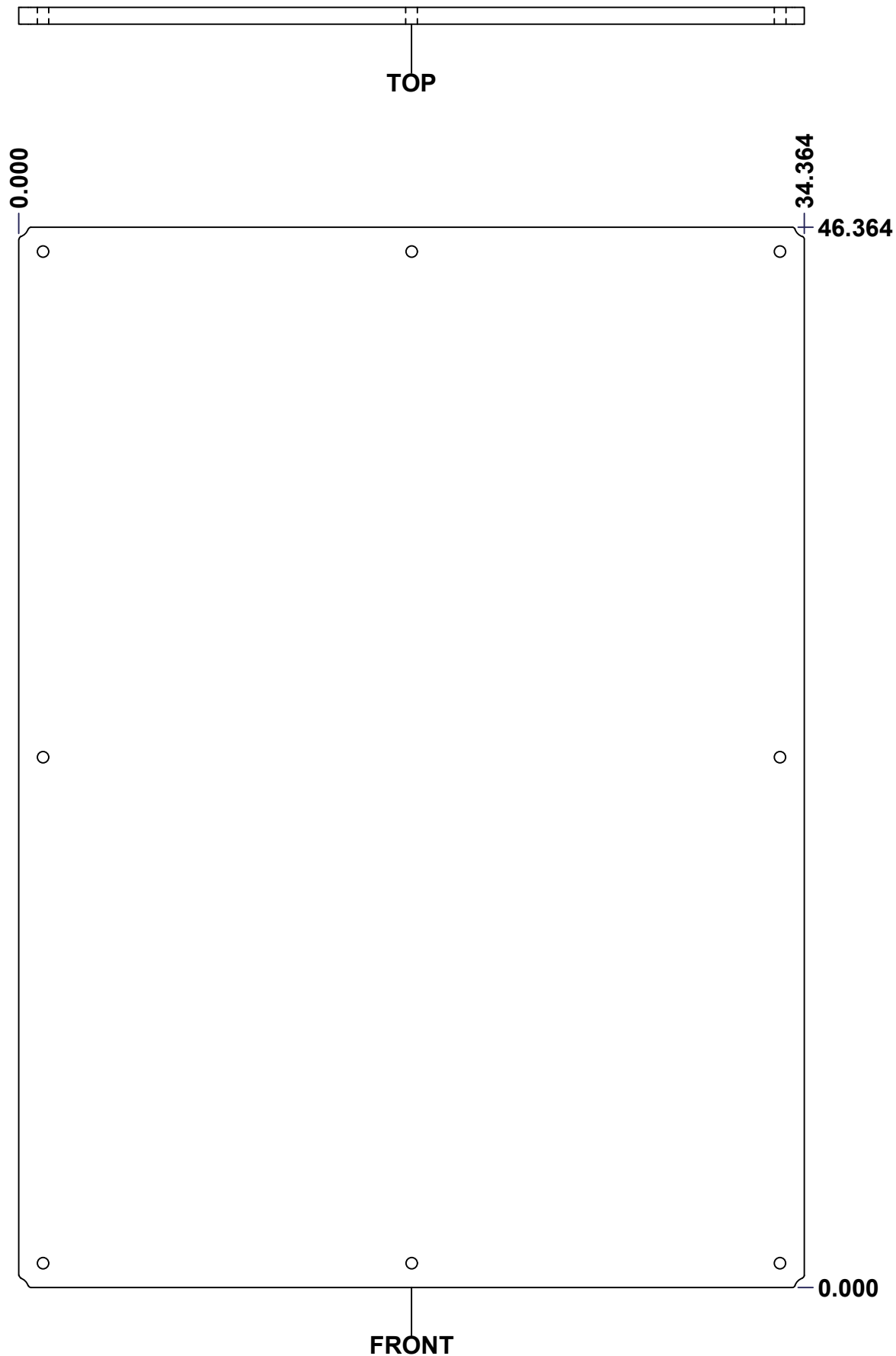


| | | | |
|------------|-------------------------|-----|-----------------------------------------|
| 1 | STK-P-02400S | 0 | Powder Paint (Asa-61 Grey / Smooth) |
| 16 | STK-Q-60701 | 2.1 | 880 WK - Lexan 1/4" Fixing Bracket |
| 1 | STK-A-60703 | 0 | 5412 ESW Lexan Bracket Kit |
| 20 | STK-Q-16052 | 0 | M6 x 23mm Stud (No Paint Cap Required) |
| 1 | STK-G-02710 | 0 | 880 HWKG - Windows Kit Gasket |
| 1 | 5412ESW483616THNOIP LXG | 0 | 5412ESW 48" x 36" Lexan Gasket Part |
| 1 | 5412ESW483616THNOIP LX | 0 | 5412ESW 44.375" x 32.125" Lexan Part |
| 1 | 5412ESW483616THNOIP G | 0 | 5412ESW 48" x 36" Cover Gasket Part |
| 1 | 5412ESW483616THNOIP C-P | 0 | 5412ESW 48" x 36" Cover Part |
| 4 | STK-K-09800 | 10 | 5412 ES Hinge with 2 Captive Hinge Pins |
| 3 | STK-K-12500 | 16 | 5412 ES 1/4 Turn Lock |
| QTY | Part Number | Rev | Description |
| Parts List | | | |

| | | |
|------------------------------------------------------------|--------------------------------------------------------------------------------------------------|-------------------------------|
| | Tél: (450) 979-4373 Fax: (450) 979-4626 www.exmweb.com | Flatness Aplatissement |
| | Max 3.0mm Projection | Customer Client |
| Drawn By Dessiné Par | BoxCad: BoxCad | Date 21-Mar-23 |
| Material Matière | 14 Ga Cold Rolled A1008 CS Type B (1.7mm) | |
| Color Couleur | Asa-61 Grey | Finish Fini Smooth |
| Description 5412ESW 48" x 36" Cover | | Detail Rev. |
| Part Number Numéro Pièce 5412ESW483616THNOIPC | Rev. | 10 0 |
| | | 15 |

This drawing is confidential and must not be reproduced or used without the consent of EXM

Ce dessin est confidentiel et ne doit pas être reproduit ou utilisé sans le consentement de EXM



| No. | Revisions | Date | By/Par |
|-----|-----------|------|--------|
| | | | |
| | | | |
| | | | |
| | | | |

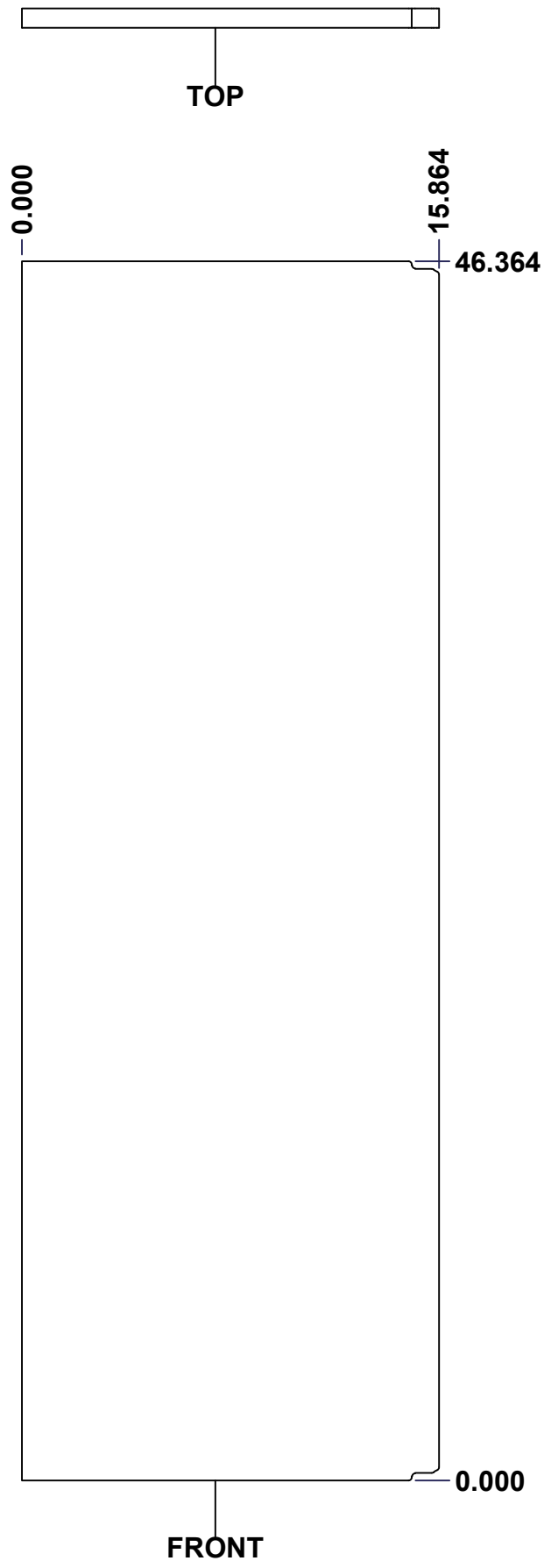
Isometric View

| | | |
|--------------------------------------------------------------------------------------------------|--------------------|----------------------------------------|
| Tél: (450) 979-4373 Fax: (450) 979-4626 www.exmweb.com | | Flatness Aplatissement Max 3.0mm |
| Customer Client | | Projection |
| Drawn By / Dessiné Par: BoxCad: Patrick Deschenes | | Date: 23-Jan-07 |
| Material / Matière: Polyisocyanurate | | |
| Color / Couleur: Aluminum | Finish / Fini: N/A | |
| Description: 5412ESW 48" x 36" Back Insulation | | Detail Rev. |
| Part Number / Numéro Pièce: 5412ESW483616THNOIP-B | | Rev. 11 0 |

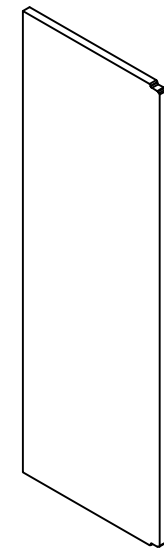
SEE BILL OF MATERIAL ON LAST PAGE

This drawing is confidential and must not be reproduced or used without the consent of EXM

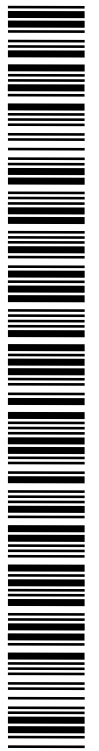
Ce dessin est confidentiel et ne doit pas être reproduit ou utilisé sans le consentement de EXM



| No. | Revisions | Date | By/Par |
|-----|-----------|------|--------|
| | | | |
| | | | |
| | | | |
| | | | |



Isometric View



Tél: (450) 979-4373
 Fax: (450) 979-4626
www.exmweb.com

Flatness
 Aplatissement
 Max 3.0mm
 Projection

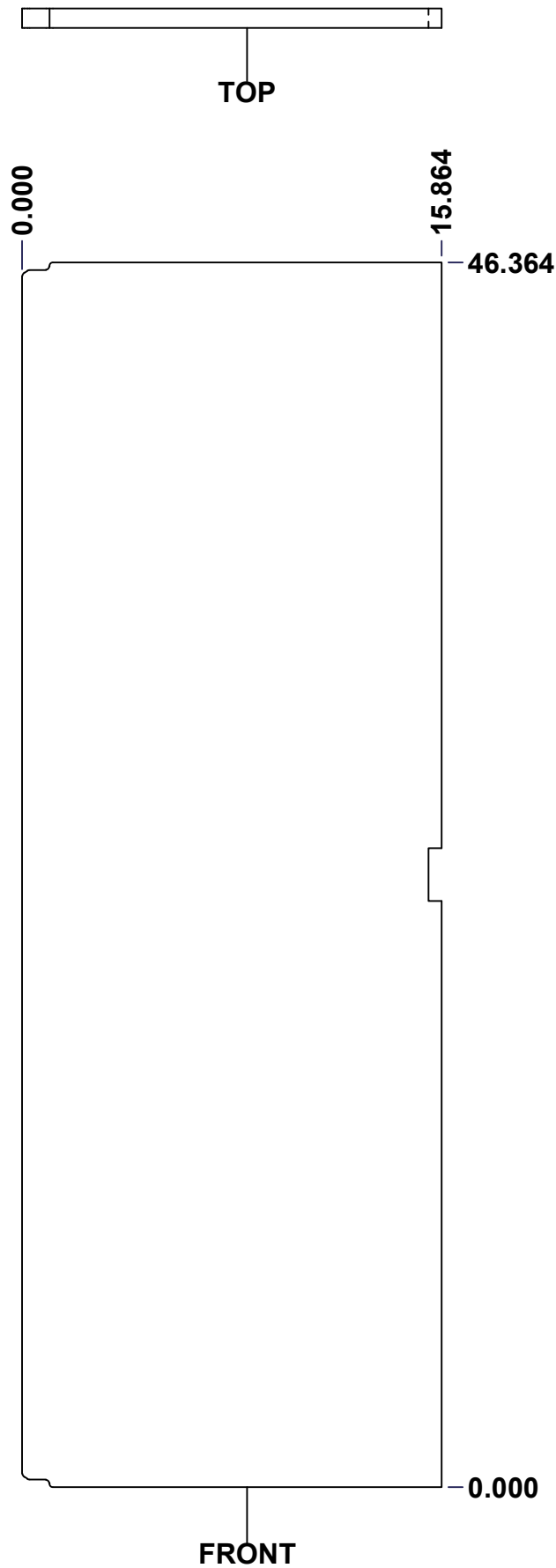
| | |
|---------------------------------------------------|--------------------|
| Customer Client | Date |
| Drawn By / Dessiné Par: BoxCad: Patrick Deschenes | Date: 23-Jan-07 |
| Material / Matière: Polyisocyanurate | |
| Color / Couleur: Aluminum | Finish / Fini: N/A |
| Description: 5412ESW 48" x 36" Left Insulation | Detail Rev. |

| | | | |
|-----------------------------------------------------|--------|----|----|
| Part Number / Numéro Pièce: 5412ESW483616THNOIPI-LS | Rev. 0 | 12 | 15 |
|-----------------------------------------------------|--------|----|----|

SEE BILL OF MATERIAL ON LAST PAGE

This drawing is confidential and must not be reproduced or used without the consent of EXM

Ce dessin est confidentiel et ne doit pas être reproduit ou utilisé sans le consentement de EXM



| No. | Revisions | Date | By/Par |
|-----|-----------|------|--------|
| | | | |
| | | | |
| | | | |
| | | | |

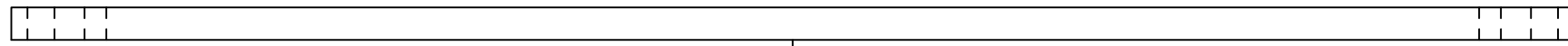
Isometric View

| | | |
|--------------------------------------------------------------------------------------------------|--------------------|----------------------------------------|
| Tél: (450) 979-4373 Fax: (450) 979-4626 www.exmweb.com | | Flatness Aplatissement Max 3.0mm |
| Projection | | Date 23-Jan-07 |
| Customer Client | Date | |
| Drawn By / Dessiné Par: BoxCad: Patrick Deschenes | Date: 23-Jan-07 | |
| Material / Matière: Polyisocyanurate | | |
| Color / Couleur: Aluminum | Finish / Fini: N/A | |
| Description: 5412ESW 48" x 36" Right Insulation | Detail Rev. | |
| Part Number / Numéro Pièce: 5412ESW483616THNOIPI-RS | Rev.: | 13 |

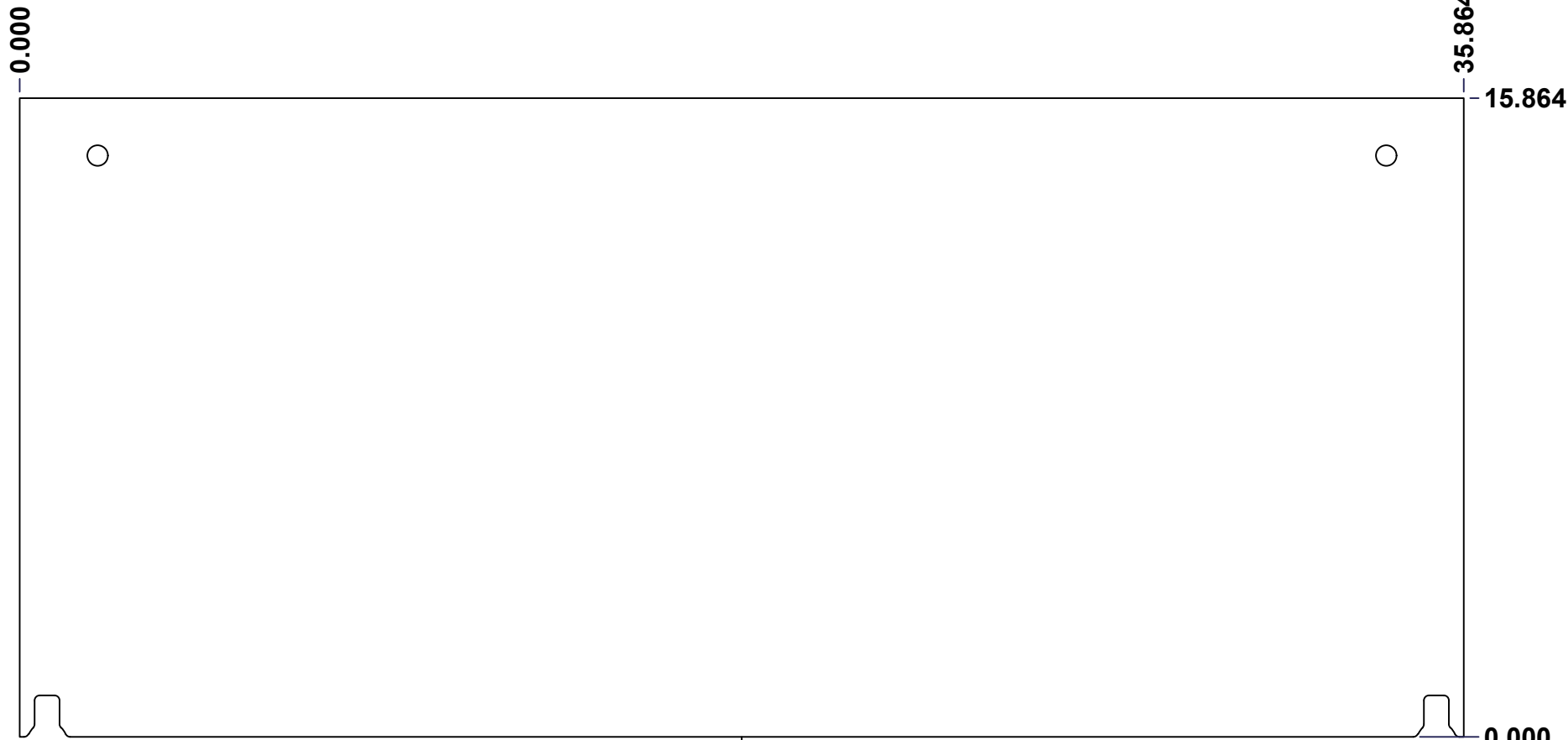
SEE BILL OF MATERIAL ON LAST PAGE 5412ESW483616THNOIPI-RS 0

This drawing is confidential and must not be reproduced or used without the consent of EXM

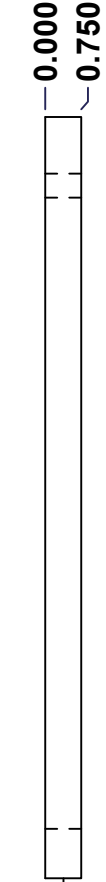
Ce dessin est confidentiel et ne doit pas être reproduit ou utilisé sans le consentement de EXM



TOP

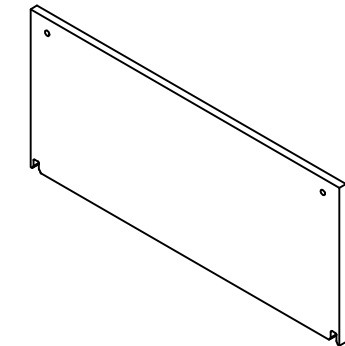


FRONT



RIGHT

| No. | Revisions | Date | By/Par |
|-----|-----------|------|--------|
| | | | |
| | | | |
| | | | |
| | | | |
| | | | |



Isometric View

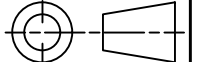


Tél: (450) 979-4373
 Fax: (450) 979-4626
www.exmweb.com

Flatness
Aplatissement

Max 3.0mm

Projection

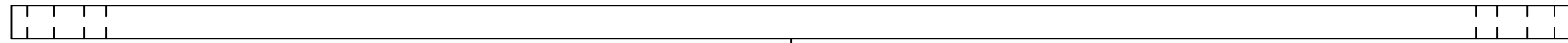


| | |
|------------------------------------------------------------|--------------------|
| Customer Client | Date |
| Drawn By Dessiné Par BoxCad: Patrick Deschenes | Date 23-Jan-07 |
| Material Matière Polyisocyanurate | |
| Color Couleur Aluminum | Finish Fini N/A |
| Description 5412ESW 48" x 36" Top and Bottom Insulation | Detail Rev. |
| Part Number Numéro Pièce 5412ESW483616THNOIPI-TP | Rev. 14 |

SEE BILL OF MATERIAL ON LAST PAGE

This drawing is confidential and must not be reproduced or used without the consent of EXM

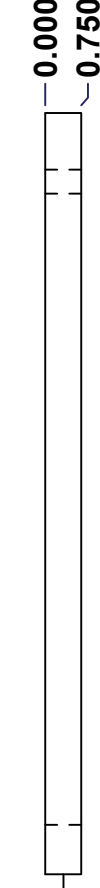
Ce dessin est confidentiel et ne doit pas être reproduit ou utilisé sans le consentement de EXM



TOP



FRONT



RIGHT

| No. | Revisions | Date | By/Par |
|-----|-----------|------|--------|
| | | | |
| | | | |
| | | | |
| | | | |
| | | | |

Isometric View

| | | |
|-----------------------------------------------------------------------------------------------------------------------------|---------------------------|---------------------------|
| <p>Tél: (450) 979-4373 Fax: (450) 979-4626 www.exmweb.com</p> | | Flatness Aplatissement |
| | | Max 3.0mm |
| Projection | | |
| Customer Client | Date | |
| Drawn By Dessiné Par | BoxCad: Patrick Deschenes | Date 23-Jan-07 |
| Material Matière | Polyisocyanurate | |
| Color Couleur | Aluminum | Finish Fini N/A |
| Description | Detail Rev. | |
| 5412ESW 48" x 36" Top and Bottom Insulation | | |
| Part Number Numéro Pièce | Rev. | 15 |
| SEE BILL OF MATERIAL ON LAST PAGE | 5412ESW483616THNOIPI-BT | 0 |