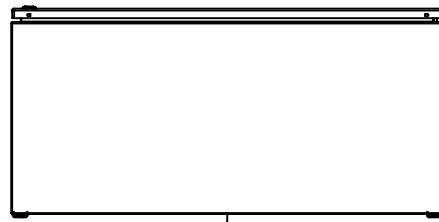
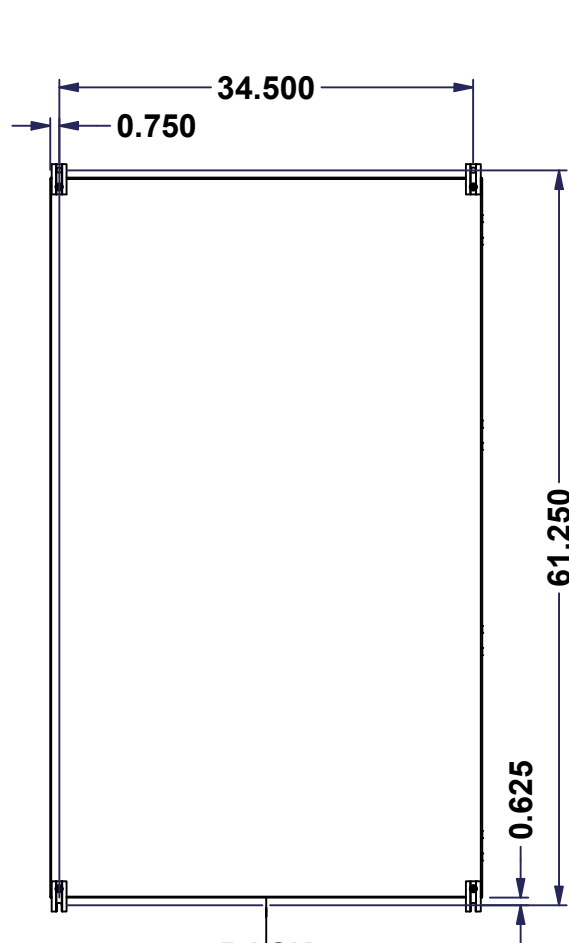


This drawing is confidential and must not be reproduced or used without the consent of EXM

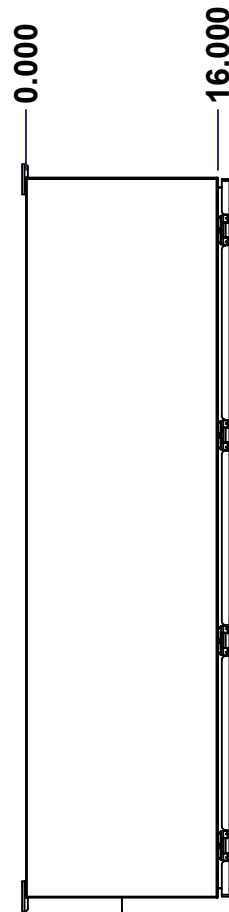
Ce dessin est confidentiel et ne doit pas être reproduit ou utilisé sans le consentement de EXM



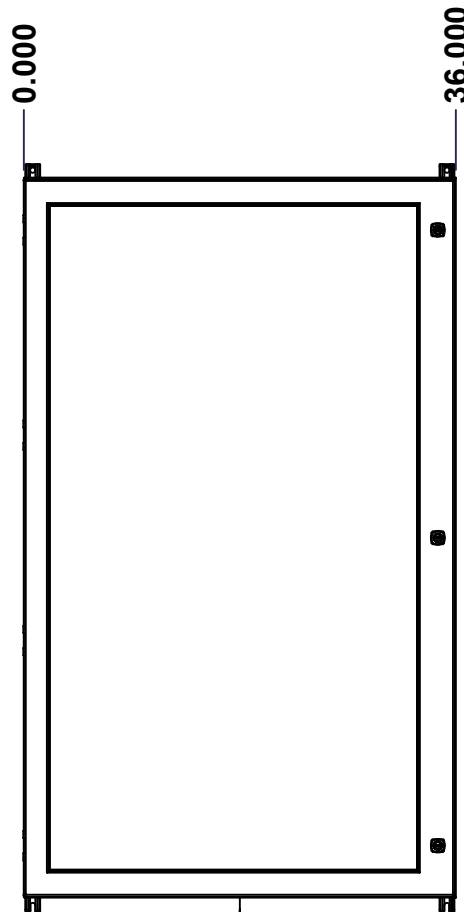
TOP



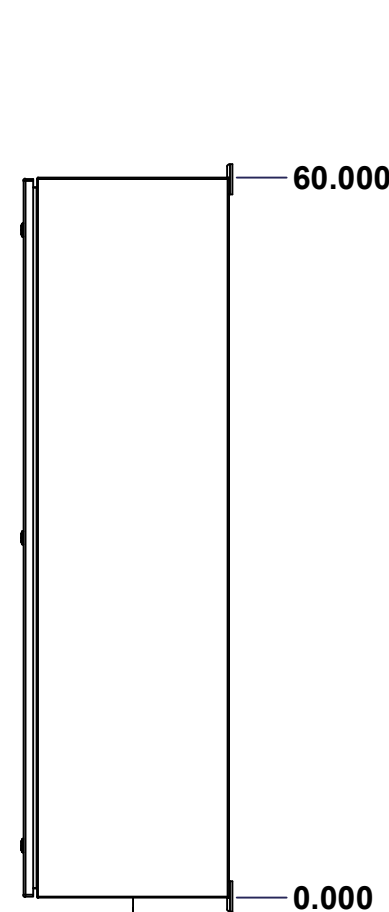
BACK



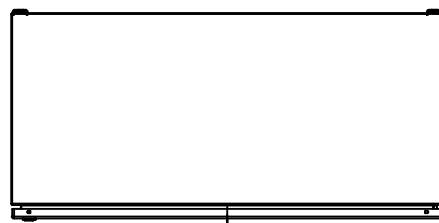
LEFT



FRONT

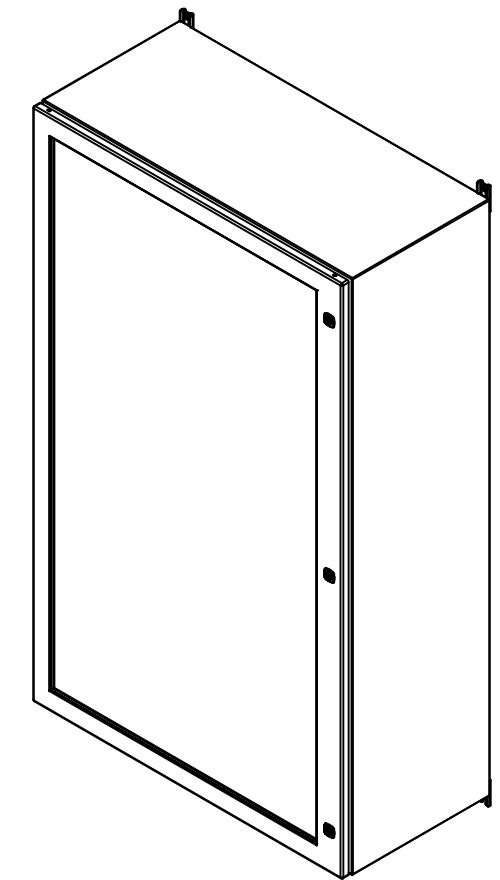


RIGHT



BOTTOM

| No. | Revisions | Date | By/Par |
|-----|-----------|------|--------|
|     |           |      |        |
|     |           |      |        |
|     |           |      |        |
|     |           |      |        |
|     |           |      |        |



Isometric View



Tél: (450) 979-4373  
 Fax: (450) 979-4626  
[www.exmweb.com](http://www.exmweb.com)

Flatness  
Aplatissement

Max 3.0mm

Projection



|   |                       |
|---|-----------------------|
| Customer Client   | Date                  |
| Drawn By<br>Dessiné Par BoxCad: BoxCad                        | Date 21-Mar-23        |
| Material<br>Matière 14 Ga Cold Rolled A1008 CS Type B (1.7mm) |                       |
| Color<br>Couleur Asa-61 Grey                                  | Finish<br>Fini Smooth |
| Description<br>5412ESW 60" x 36" x 16" Assembly               | Detail Rev.           |
| Part Number<br>Numéro Pièce 5412ESW603616THNOIP               | Rev. 0                |

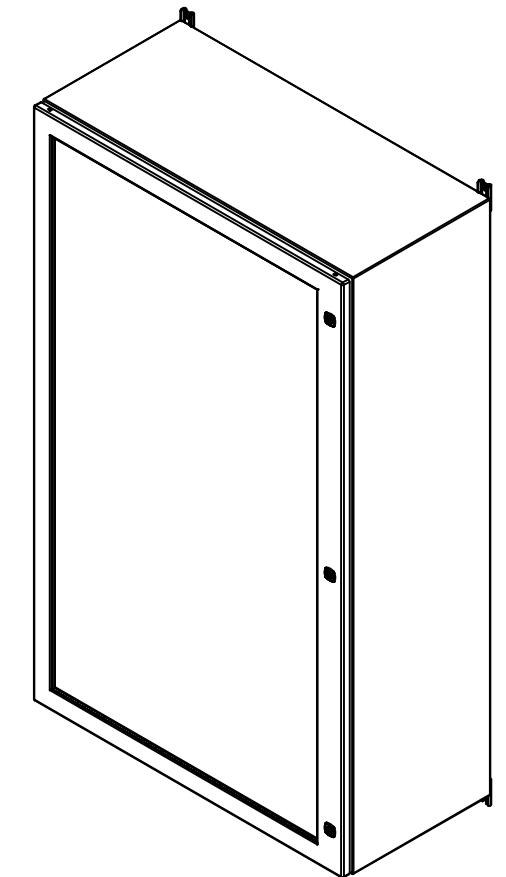
SEE BILL OF MATERIAL ON LAST PAGE

This drawing is confidential and must not be reproduced or used without the consent of EXM

Ce dessin est confidentiel et ne doit pas être reproduit ou utilisé sans le consentement de EXM

| NOTE |   |
|------|---|
| ITEM | DESCRIPTION                                     |
| 1    | NEMA 4/12 Enclosure                             |
| 2    | C/W Standard ground studs on box and cover      |
| 3    | W/O Standard door stiffener                     |
| 4    | W/O Inner panel                                 |
| 5    | C/W Standard inner panel mounting studs         |
| 6    | C/W 885 ESMF3_OPEN Sold separately (Installed)  |
| 7    | C/W 885 ESMF3_CLOSE Sold separately (Installed) |
| 8    | C/W R5 Insulation (Installed by EXM)            |

| No. | Revisions | Date | By/Par |
|-----|-----------|------|--------|
|     |           |      |        |
|     |           |      |        |
|     |           |      |        |
|     |           |      |        |
|     |           |      |        |
|     |           |      |        |


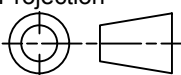


Isometric View



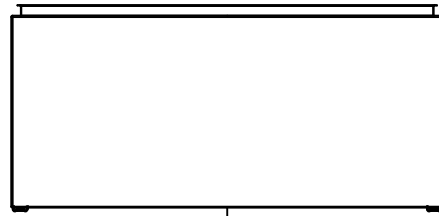
| PACKING               |     |  |
|-----------------------|-----|--|
| ITEM                  | QTY | DESCRIPTION                                    |
| Cardboard sleeve      | 2   | Top and Bottom                                 |
| Cardboard strip       | 2   | Between back of enclosure and inner panel      |
| Plastic bag           | 1   | To protect cover surface and inside gasket     |
| Cardboard corner      | 4   | To reinforced for the plastic strap tightening |
| Plastic strap - Black | 2   | To Squeeze the 2 cardboard sleeve together     |
| Packaging label       | 3   | White label with PN                            |
| Plastic strap- Green  | 2   | To secure the enclosure to the wood pallet     |
| Wood Pallet           | 1   | 2" deeper and 3" larger than enclosure size    |

|            |                          |     |  |
|------------|--------------------------|-----|--|
| 8          | STK-Q-00600              | 2   | M12 to M8 Adaptor                          |
| 1          | STK-K-01800              | 5   | 5412 ES Accessory Kit                      |
| 1          | 5412ESW603616THNOIP<br>C | 0   | 5412ESW 60" x 36" Cover                    |
| 1          | 5412ESW603616THNOIP<br>B | 0   | 5412ESW 60" x 36" x 16" Body               |
| 4          | STK-Q-04050-08           | 0   | M6 x 8mm Hexagon Socket Head Machine Screw |
| Qty        | Part Number              | Rev | Description                                |
| Parts List |                          |     |  |

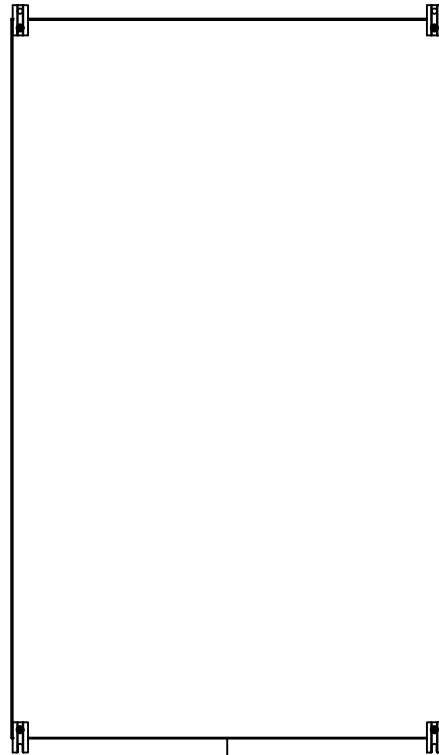
|  |   |   |
|--|---|---|
|  Tél: (450) 979-4373<br>Fax: (450) 979-4626<br><a href="http://www.exmweb.com">www.exmweb.com</a> |   | Flatness<br>Aplatissement<br>Max 3.0mm<br>Projection<br> |
| Customer Client  | Date                                      |   |
| Drawn By<br>Dessiné Par  | BoxCad: BoxCad                            | Date 21-Mar-23  |
| Material<br>Matière  | 14 Ga Cold Rolled A1008 CS Type B (1.7mm) |   |
| Color<br>Couleur   | Asa-61 Grey                               | Finish<br>Fini Smooth   |
| Description  | Detail Rev.                               |   |
| 5412ESW 60" x 36" x 16" Assembly   |   |   |
| Part Number<br>Numéro Pièce  | Rev. 0                                    | 2 / 15  |
| <b>5412ESW603616THNOIP</b>   |   |   |

This drawing is confidential and must not be reproduced or used without the consent of EXM

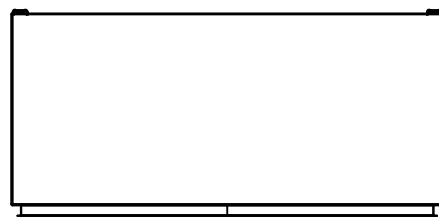
Ce dessin est confidentiel et ne doit pas être reproduit ou utilisé sans le consentement de EXM



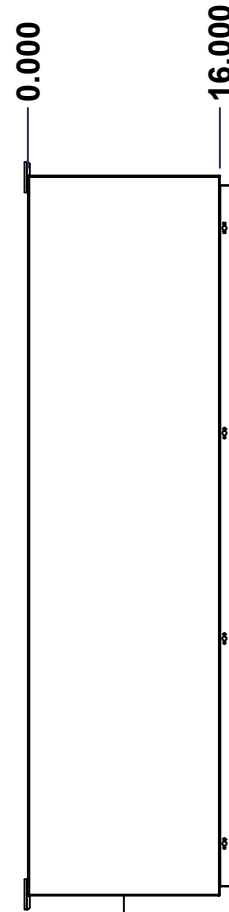
TOP



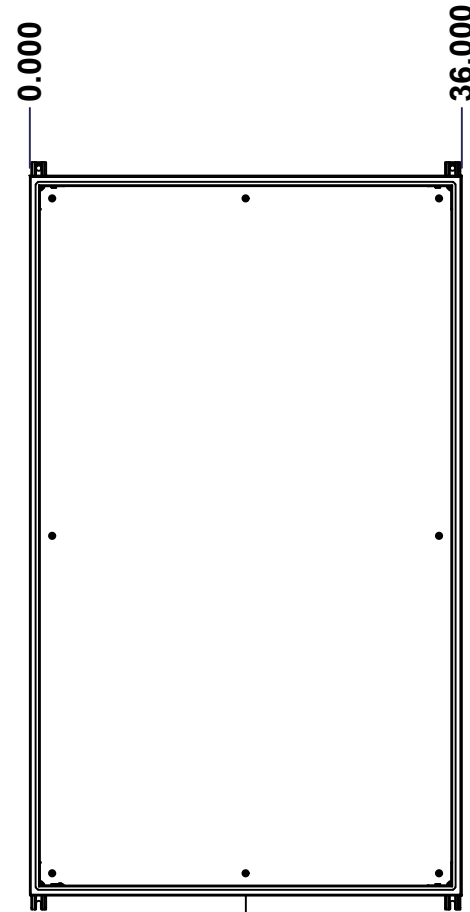
BACK



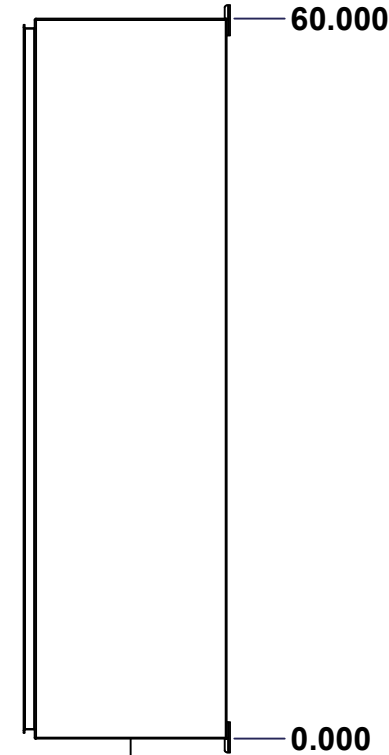
BOTTOM



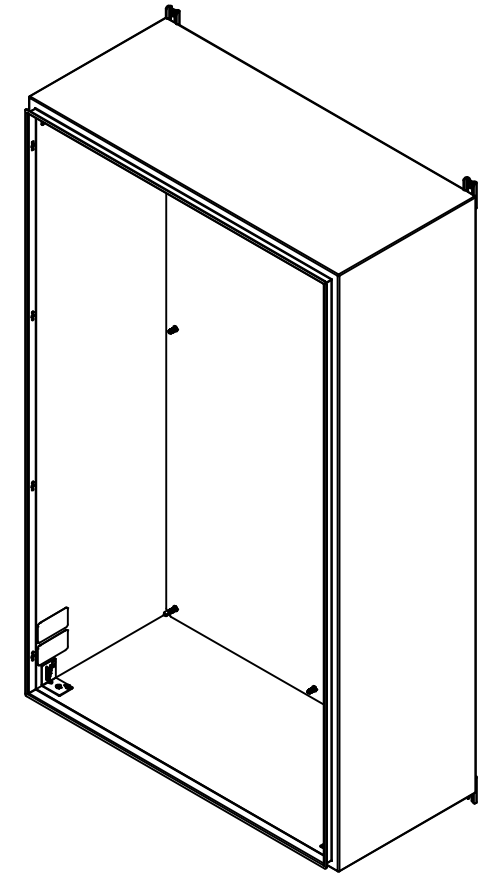
LEFT



FRONT




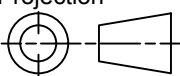
RIGHT



Isometric View



| No. | Revisions | Date | By/Par |
|-----|-----------|------|--------|
|     |           |      |        |
|     |           |      |        |
|     |           |      |        |
|     |           |      |        |

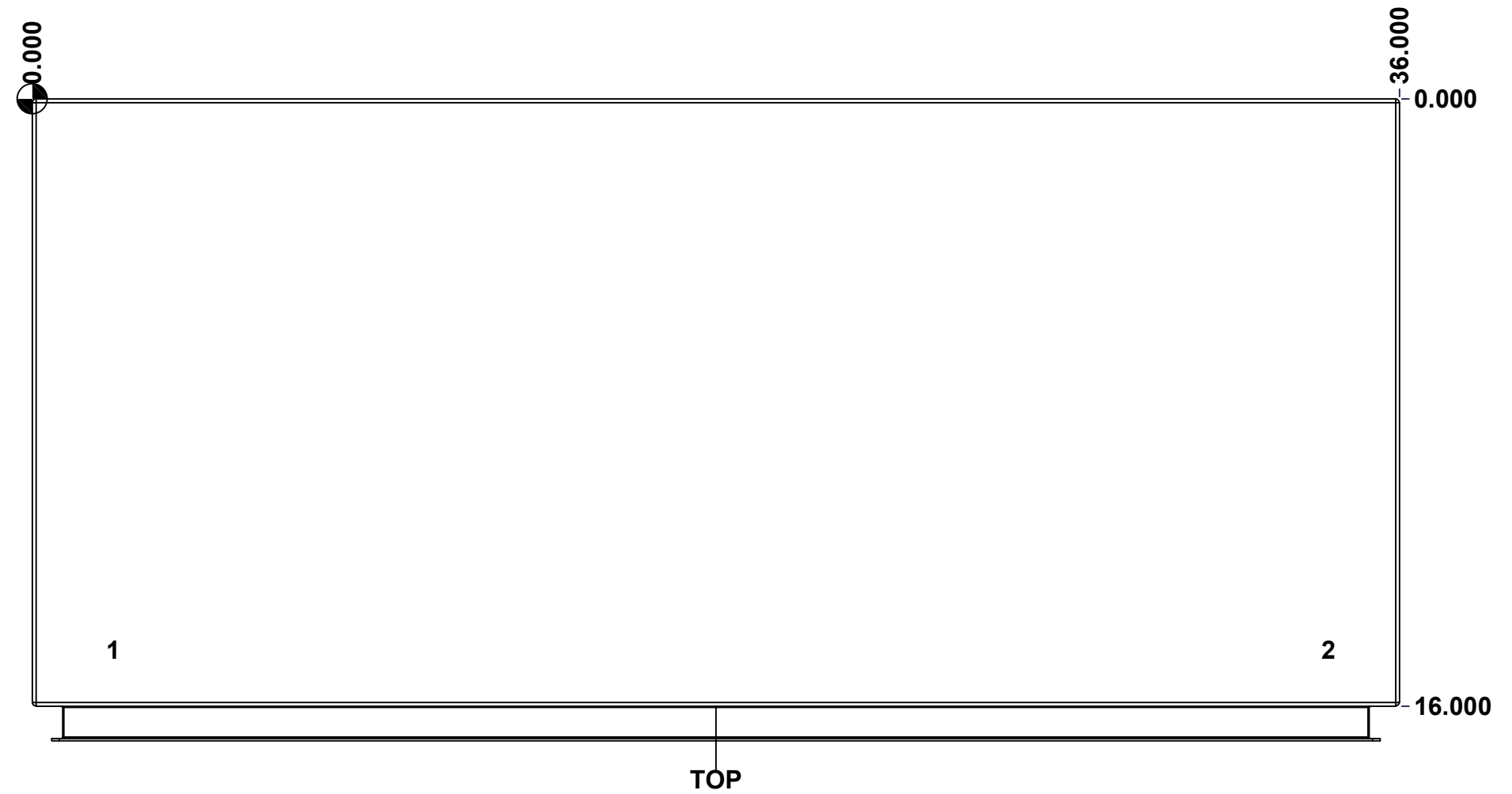
|  |   |   |
|--|---|---|
|  Tél: (450) 979-4373<br>Fax: (450) 979-4626<br><a href="http://www.exmweb.com">www.exmweb.com</a> |   | Flatness<br>Aplatissement<br>Max 3.0mm<br>Projection<br> |
| Customer Client  | Date                                      |   |
| Drawn By<br>Dessiné Par  | BoxCad: BoxCad                            | Date 21-Mar-23  |
| Material<br>Matière  | 14 Ga Cold Rolled A1008 CS Type B (1.7mm) |   |
| Color<br>Couleur   | Asa-61 Grey                               | Finish<br>Fini Smooth   |
| Description  | Detail Rev.                               |   |
| 5412ESW 60" x 36" x 16" Body   |   |   |
| Part Number<br>Numéro Pièce  | Rev. 0                                    | 3   |
| SEE BILL OF MATERIAL ON LAST PAGE  |   | 15  |

SEE BILL OF MATERIAL ON LAST PAGE **5412ESW603616THNOIPB**

This drawing is confidential and must not be reproduced or used without the consent of EXM

Ce dessin est confidentiel et ne doit pas être reproduit ou utilisé sans le consentement de EXM

| STANDARD FEATURES ARE NOT LISTED IN THIS HOLE TABLE |        |        |                                |
|---|--------|--------|--------------------------------|
| HOLE TABLE - TOP VIEW (CUSTOM FEATURE ONLY)         |        |        |                                |
| CUT-OUT   | XDIM   | YDIM   | DESCRIPTION                    |
| 1   | 2.000  | 14.500 | INSUL. STUD M6 x 18mm (Inside) |
| 2   | 34.000 | 14.500 | INSUL. STUD M6 x 18mm (Inside) |

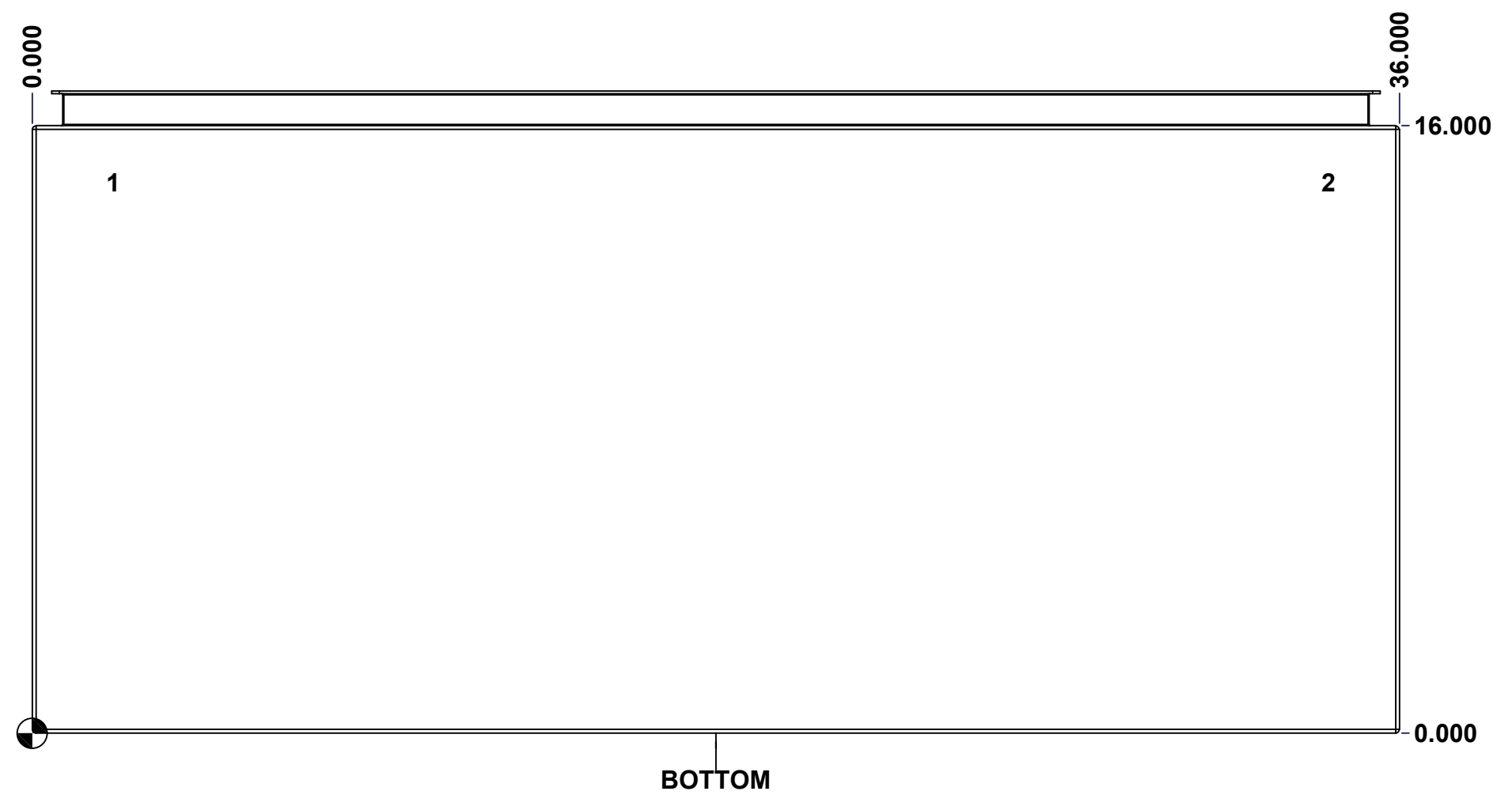


|  |                              |        |
|--|------------------------------|--------|
|  | Description                  | Status |
|  | 5412ESW 60" x 36" x 16" Body | (NULL) |
| Part Number<br>Numéro Pièce<br><b>5412ESW603616THNOIPB</b> | Rev.                         | 4      |
|  | <b>0</b>                     | 15     |

This drawing is confidential and must not be reproduced or used without the consent of EXM

Ce dessin est confidentiel et ne doit pas être reproduit ou utilisé sans le consentement de EXM

| <b>STANDARD FEATURES ARE NOT LISTED IN THIS HOLE TABLE</b> |        |        |                                |
|--|--------|--------|--------------------------------|
| <b>HOLE TABLE - BOTTOM VIEW (CUSTOM FEATURE ONLY)</b>      |        |        |                                |
| CUT-OUT  | XDIM   | YDIM   | DESCRIPTION                    |
| 1  | 2.000  | 14.500 | INSUL. STUD M6 x 18mm (Inside) |
| 2  | 34.000 | 14.500 | INSUL. STUD M6 x 18mm (Inside) |



|  |                              |          |
|--|------------------------------|----------|
|  | Description                  | Status   |
|  | 5412ESW 60" x 36" x 16" Body | (NULL)   |
|  | Part Number<br>Numéro Pièce  | Rev.     |
|  | <b>5412ESW603616THNOIPB</b>  | <b>0</b> |
|  |                              | 5        |
|  |                              | 15       |

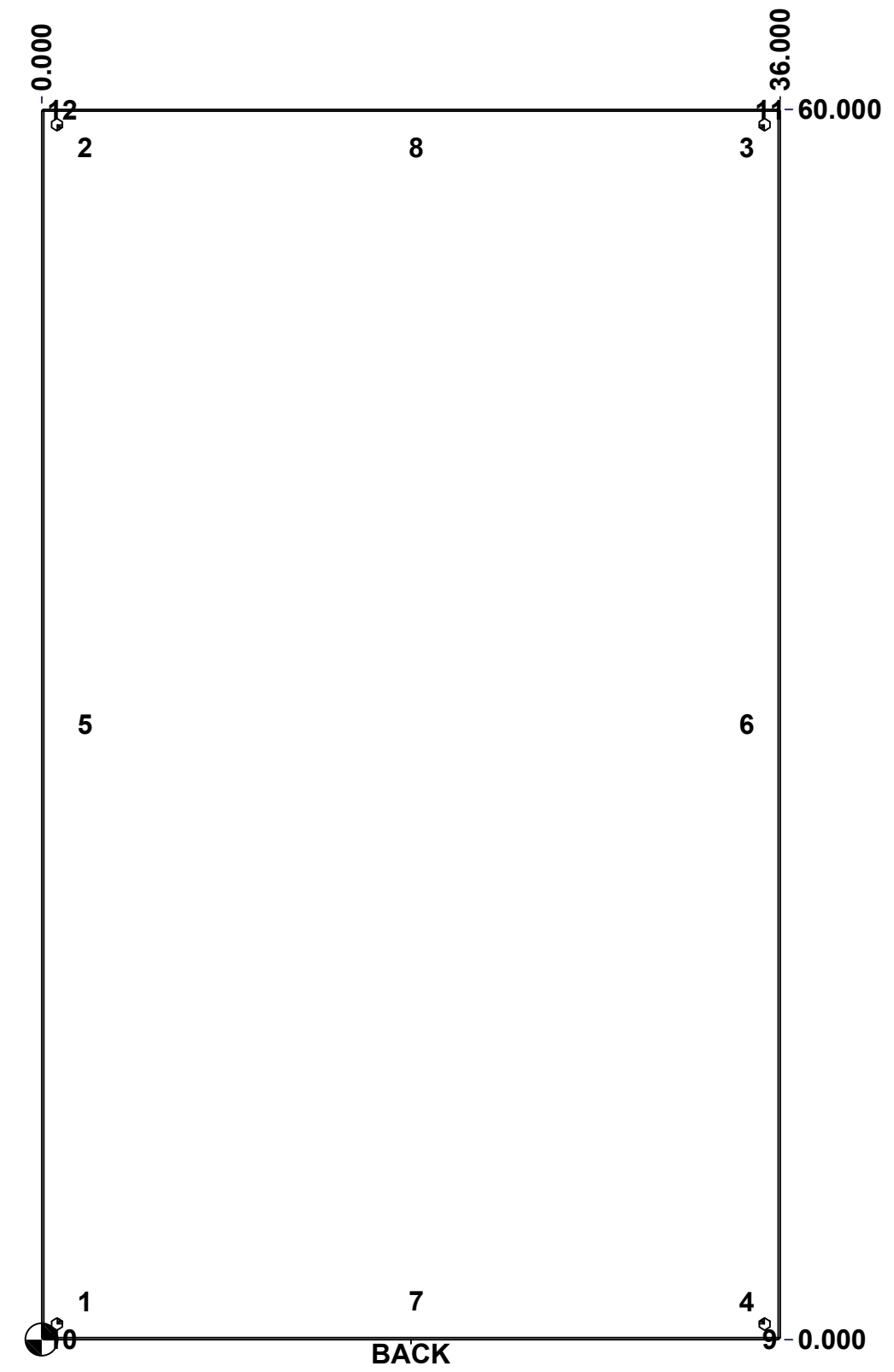
This drawing is confidential and must not be reproduced or used without the consent of EXM

Ce dessin est confidentiel et ne doit pas être reproduit ou utilisé sans le consentement de EXM

**STANDARD FEATURES ARE NOT LISTED IN THIS HOLE TABLE**

**HOLE TABLE - BACK VIEW (CUSTOM FEATURE ONLY)**

| CUT-OUT | XDIM   | YDIM   | DESCRIPTION                |
|---------|--------|--------|----------------------------|
| 1       | 1.875  | 1.875  | IP STUD M8 x 35mm (Inside) |
| 2       | 1.875  | 58.125 | IP STUD M8 x 35mm (Inside) |
| 3       | 34.125 | 58.125 | IP STUD M8 x 35mm (Inside) |
| 4       | 34.125 | 1.875  | IP STUD M8 x 35mm (Inside) |
| 5       | 1.875  | 30.000 | IP STUD M8 x 35mm (Inside) |
| 6       | 34.125 | 30.000 | IP STUD M8 x 35mm (Inside) |
| 7       | 18.000 | 1.875  | IP STUD M8 x 35mm (Inside) |
| 8       | 18.000 | 58.125 | IP STUD M8 x 35mm (Inside) |
| -----   |        |        |                            |
| 9       | 35.250 | 0.000  | FOOT 885 ESMF3_OPEN        |
| 10      | 0.750  | 0.000  | FOOT 885 ESMF3_OPEN        |
| 11      | 35.250 | 60.000 | FOOT 885 ESMF3_CLOSE       |
| 12      | 0.750  | 60.000 | FOOT 885 ESMF3_CLOSE       |

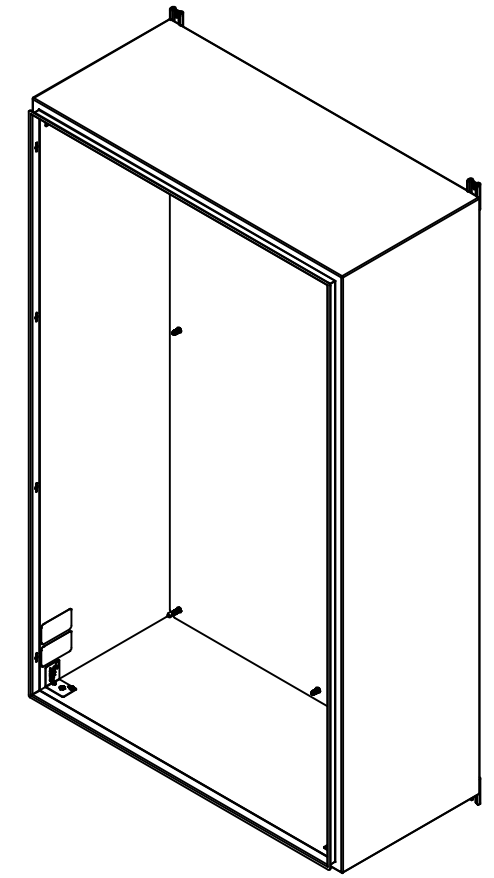


|  |                              |              |
|--|------------------------------|--------------|
|  | Description                  | Status       |
|  | 5412ESW 60" x 36" x 16" Body | (NULL)       |
|  | Part Number<br>Numéro Pièce  | Rev.         |
|  | <b>5412ESW603616THNOIPB</b>  | <b>0</b> / 6 |
|  |                              | 15           |

This drawing is confidential and must not be reproduced or used without the consent of EXM

Ce dessin est confidentiel et ne doit pas être reproduit ou utilisé sans le consentement de EXM

| No. | Revisions | Date | By/Par |
|-----|-----------|------|--------|
|     |           |      |        |
|     |           |      |        |
|     |           |      |        |
|     |           |      |        |
|     |           |      |        |



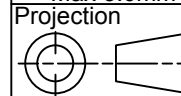


Isometric View



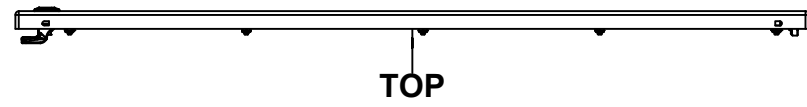
|   |                         |   |   |
|---|-------------------------|---|---|
| 2 | 885ESMF3-FEET           | 0 | 885 ESMF3 Mounting Foot                     |
| 4 | RIVET_NUT_M10_FH_CE     | 0 | Rivet Nut M10 (Low Profile Close End)       |
| 4 | STK-Q-06660             | 2 | M10 x 16mm Machine Screw                    |
| 2 | 885ESMF3-FEET-A         | 0 | 885 ESMF3 Mounting Foot (Opened Slot)       |
| 2 | STK-S-00100             | 0 | 3.5" x 2" Silver Milar Flexcon Sticker      |
| 1 | STK-K-70554             | 3 | 5412 ESTH Accessory Kit                     |
| 1 | 5412ESW603616THNOIPI-RS | 0 | 5412ESW 60" x 36" Right Insulation          |
| 1 | 5412ESW603616THNOIPI-LS | 0 | 5412ESW 60" x 36" Left Insulation           |
| 1 | 5412ESW603616THNOIPI-BT | 0 | 5412ESW 60" x 36" Top and Bottom Insulation |
| 1 | 5412ESW603616THNOIPI-TP | 0 | 5412ESW 60" x 36" Top and Bottom Insulation |
| 1 | 5412ESW603616THNOIPI-B  | 0 | 5412ESW 60" x 36" Back Insulation           |
| 4 | STK-Q-16055             | 1 | M6 x 18mm Stud (No Paint Cap Required)      |
| 1 | STK-P-02400S            | 0 | Powder Paint (Asa-61 Grey / Smooth)         |
| 8 | STK-Q-16005             | 1 | Stud M8 x 35 (No Paint Cap Required)        |
| 1 | 5412ESW603616THNOIPB-P  | 0 | 5412ESW 60" x 36" x 16" Body Part           |

| Qty        | Part Number | Rev | Description |
|------------|-------------|-----|-------------|
| Parts List |             |     |             |

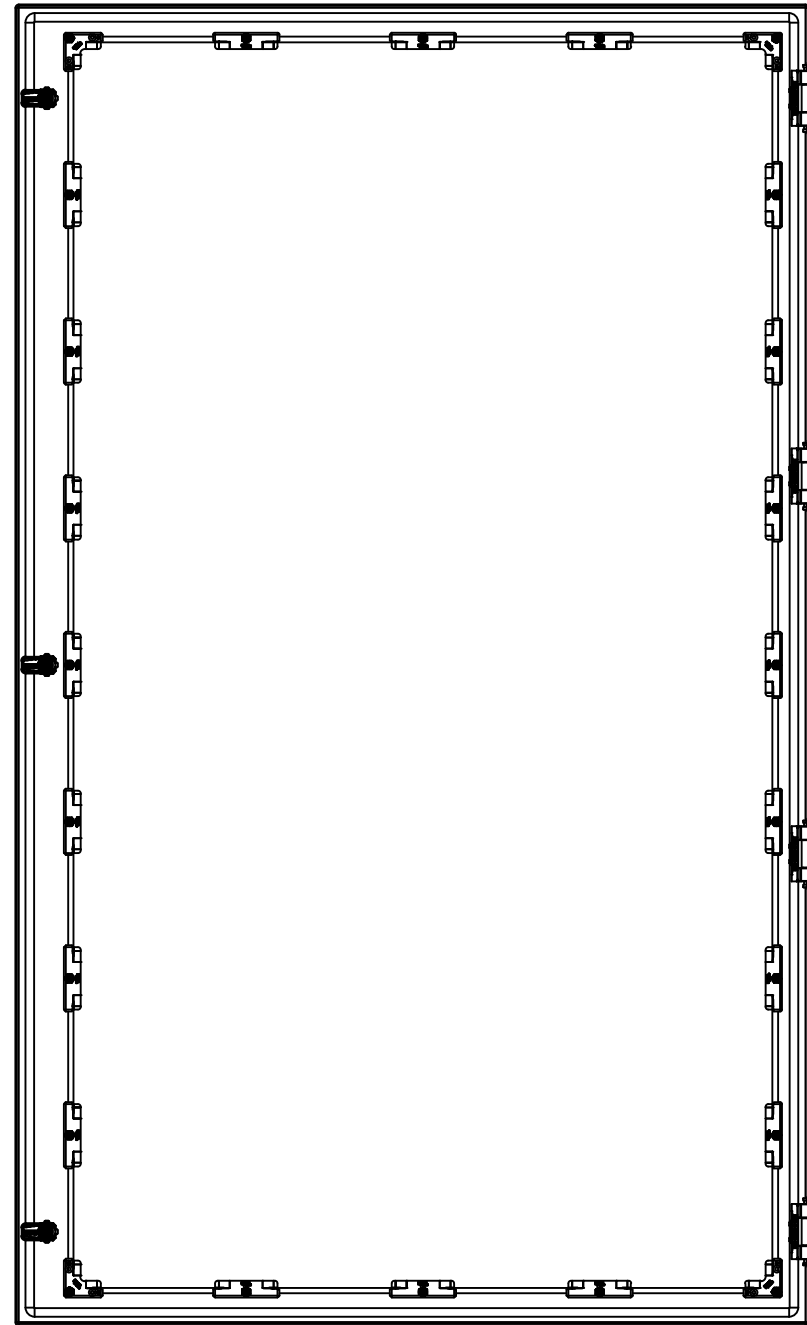
|  |  |  |
|--|--|--|
|  Tél: (450) 979-4373<br>Fax: (450) 979-4626<br><a href="http://www.exmweb.com">www.exmweb.com</a> |  | Flatness<br>Aplatissement<br> Max 3.0mm |
| Customer Client<br>Drawn By / Dessiné Par: BoxCad: BoxCad<br>Material / Matière: 14 Ga Cold Rolled A1008 CS Type B (1.7mm)   |  | Projection<br> Date: 21-Mar-23          |
| Color / Couleur: Asa-61 Grey<br>Finish / Fini: Smooth  |  | Description: 5412ESW 60" x 36" x 16" Body<br>Detail Rev.   |
| Part Number / Numéro Pièce: <b>5412ESW603616THNOIPB</b>  |  | Rev. 7<br>0  |

This drawing is confidential and must not be reproduced or used without the consent of EXM

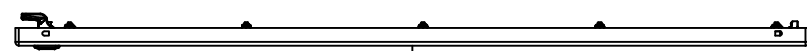
Ce dessin est confidentiel et ne doit pas être reproduit ou utilisé sans le consentement de EXM



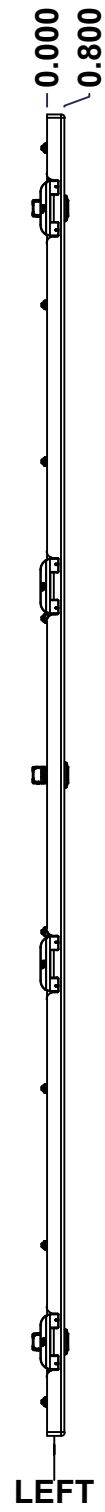
TOP



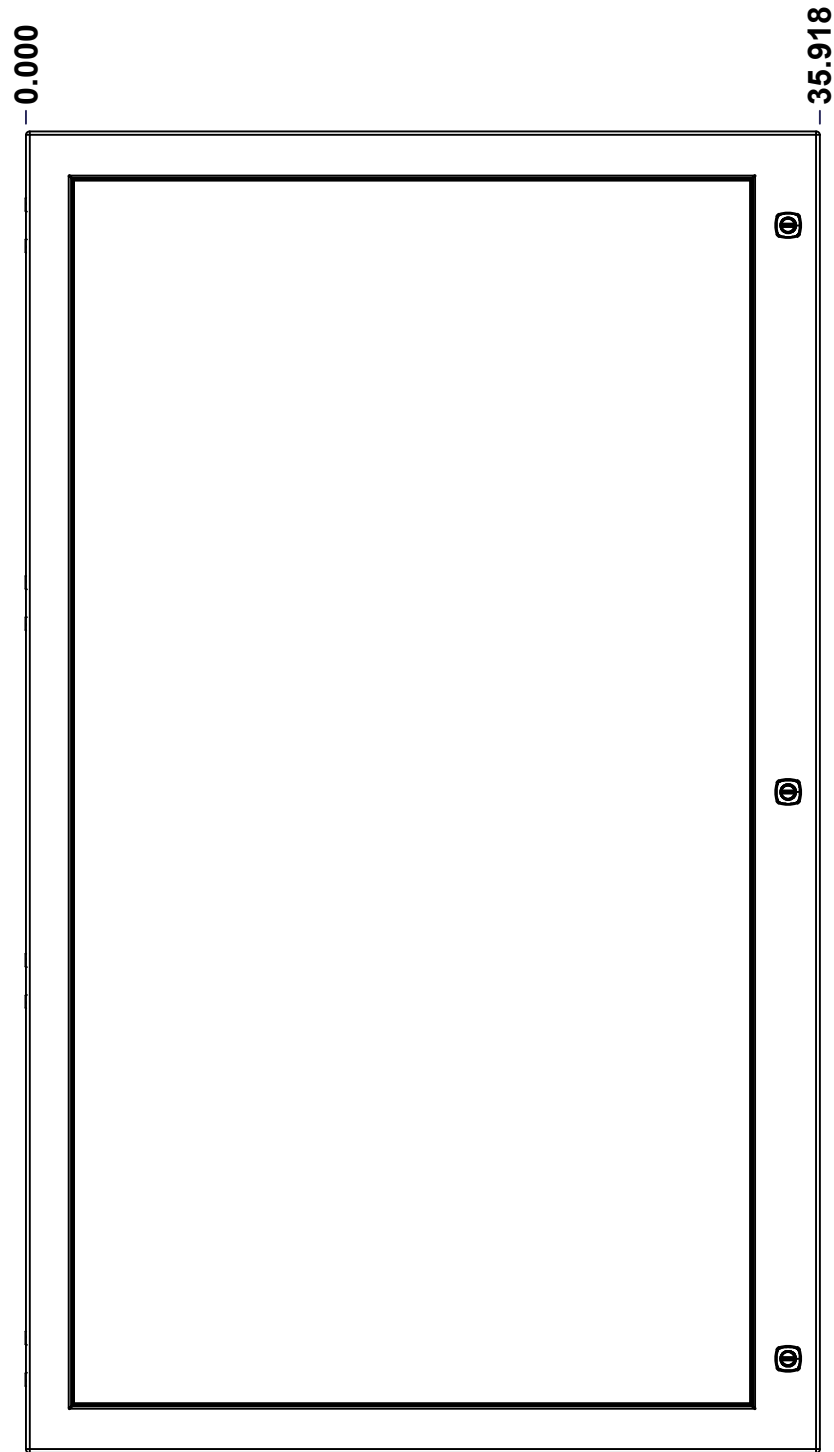
BACK



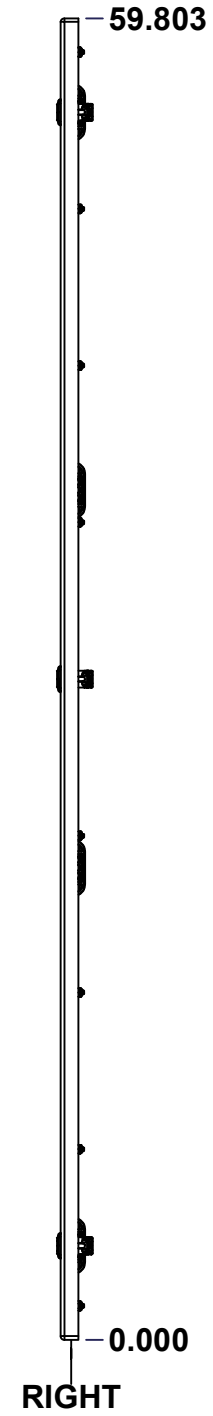
BOTTOM



LEFT

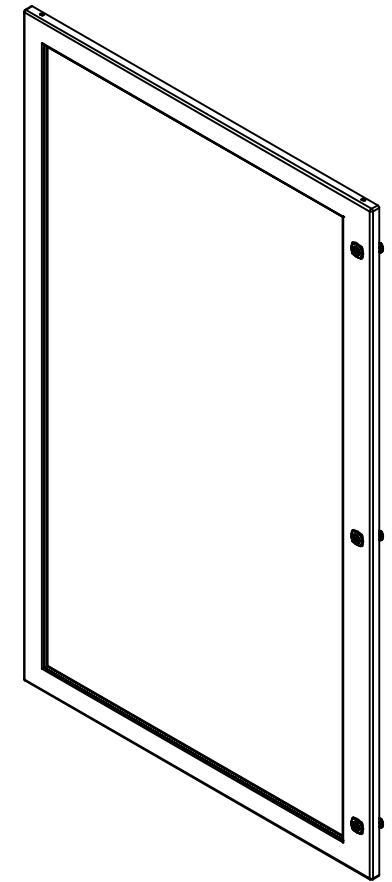


FRONT



RIGHT

| No. | Revisions | Date | By/Par |
|-----|-----------|------|--------|
|     |           |      |        |
|     |           |      |        |
|     |           |      |        |
|     |           |      |        |



Isometric View



Tél: (450) 979-4373  
 Fax: (450) 979-4626  
[www.exmweb.com](http://www.exmweb.com)

Flatness  
Aplatissement  
Max 3.0mm  
Projection

|   |                       |
|---|-----------------------|
| Customer Client   | Date                  |
| Drawn By<br>Dessiné Par BoxCad: BoxCad                        | Date 21-Mar-23        |
| Material<br>Matière 14 Ga Cold Rolled A1008 CS Type B (1.7mm) |                       |
| Color<br>Couleur Asa-61 Grey                                  | Finish<br>Fini Smooth |
| Description<br>5412ESW 60" x 36" Cover                        | Detail Rev.           |
| Part Number<br>Numéro Pièce 5412ESW603616THNOIPC              | Rev. 8                |
|   | 0                     |

SEE BILL OF MATERIAL ON LAST PAGE



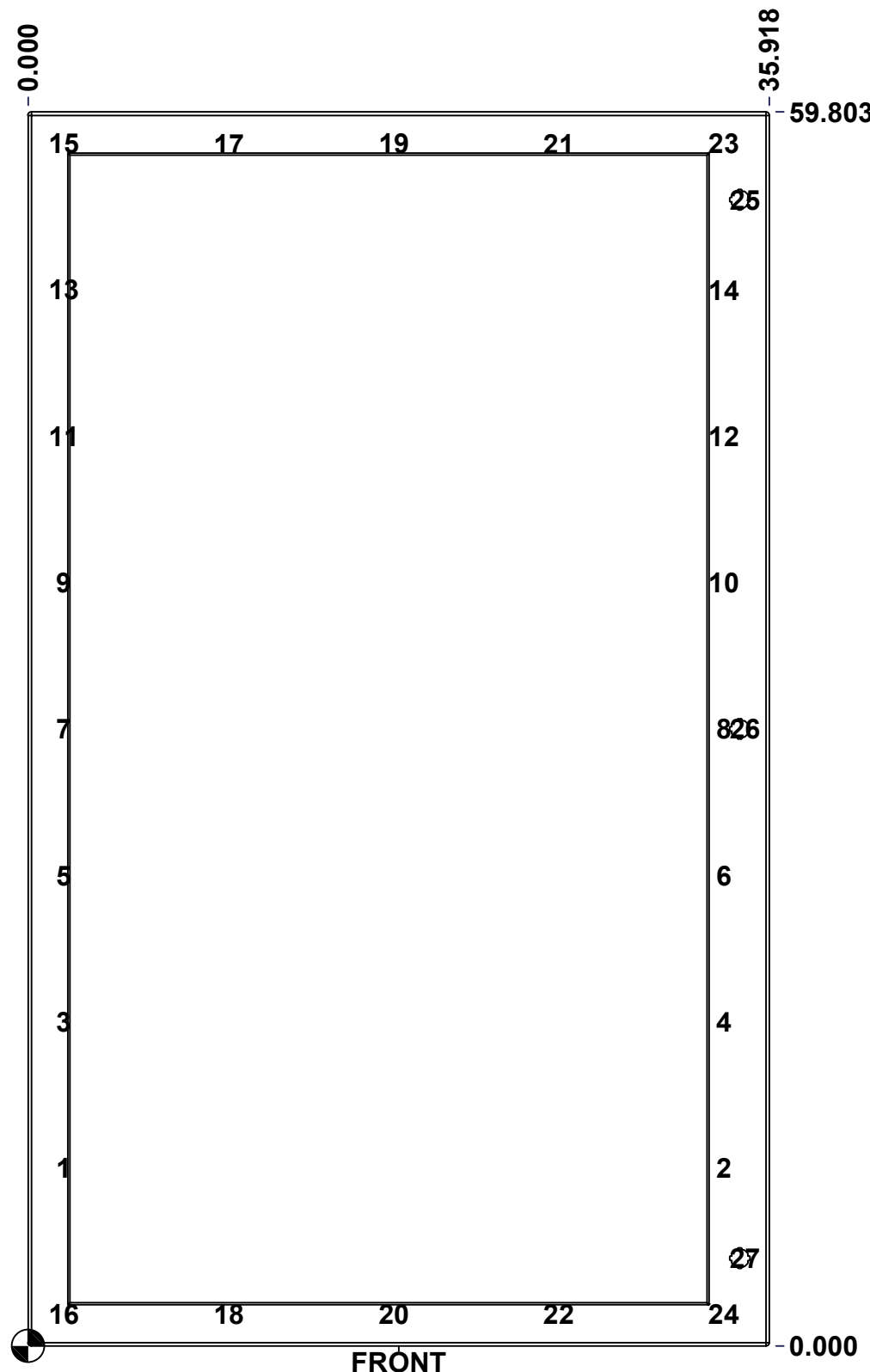
This drawing is confidential and must not be reproduced or used without the consent of EXM

Ce dessin est confidentiel et ne doit pas être reproduit ou utilisé sans le consentement de EXM

**STANDARD FEATURES ARE NOT LISTED IN THIS HOLE TABLE**

**HOLE TABLE - FRONT VIEW (CUSTOM FEATURE ONLY)**

| CUT-OUT | XDIM   | YDIM   | DESCRIPTION             |
|---------|--------|--------|-------------------------|
| 1       | 1.469  | 8.621  | STUD M6 x 18mm (Inside) |
| 2       | 33.468 | 8.621  | STUD M6 x 18mm (Inside) |
| 3       | 1.469  | 15.714 | STUD M6 x 18mm (Inside) |
| 4       | 33.468 | 15.714 | STUD M6 x 18mm (Inside) |
| 5       | 1.469  | 22.808 | STUD M6 x 18mm (Inside) |
| 6       | 33.468 | 22.808 | STUD M6 x 18mm (Inside) |
| 7       | 1.469  | 29.902 | STUD M6 x 18mm (Inside) |
| 8       | 33.468 | 29.902 | STUD M6 x 18mm (Inside) |
| 9       | 1.469  | 36.995 | STUD M6 x 18mm (Inside) |
| 10      | 33.468 | 36.995 | STUD M6 x 18mm (Inside) |
| 11      | 1.469  | 44.089 | STUD M6 x 18mm (Inside) |
| 12      | 33.468 | 44.089 | STUD M6 x 18mm (Inside) |
| 13      | 1.469  | 51.182 | STUD M6 x 18mm (Inside) |
| 14      | 33.468 | 51.182 | STUD M6 x 18mm (Inside) |
| 15      | 1.469  | 58.276 | STUD M6 x 18mm (Inside) |
| 16      | 1.469  | 1.527  | STUD M6 x 18mm (Inside) |
| 17      | 9.469  | 58.276 | STUD M6 x 18mm (Inside) |
| 18      | 9.469  | 1.527  | STUD M6 x 18mm (Inside) |
| 19      | 17.469 | 58.276 | STUD M6 x 18mm (Inside) |
| 20      | 17.469 | 1.527  | STUD M6 x 18mm (Inside) |
| 21      | 25.468 | 58.276 | STUD M6 x 18mm (Inside) |
| 22      | 25.468 | 1.527  | STUD M6 x 18mm (Inside) |
| 23      | 33.468 | 58.276 | STUD M6 x 18mm (Inside) |
| 24      | 33.468 | 1.527  | STUD M6 x 18mm (Inside) |
| -----   |        |        |                         |
| 25      | 34.494 | 55.553 | 880 SCQ4-SL             |
| 26      | 34.494 | 29.902 | 880 SCQ4-SL             |
| 27      | 34.494 | 4.250  | 880 SCQ4-SL             |

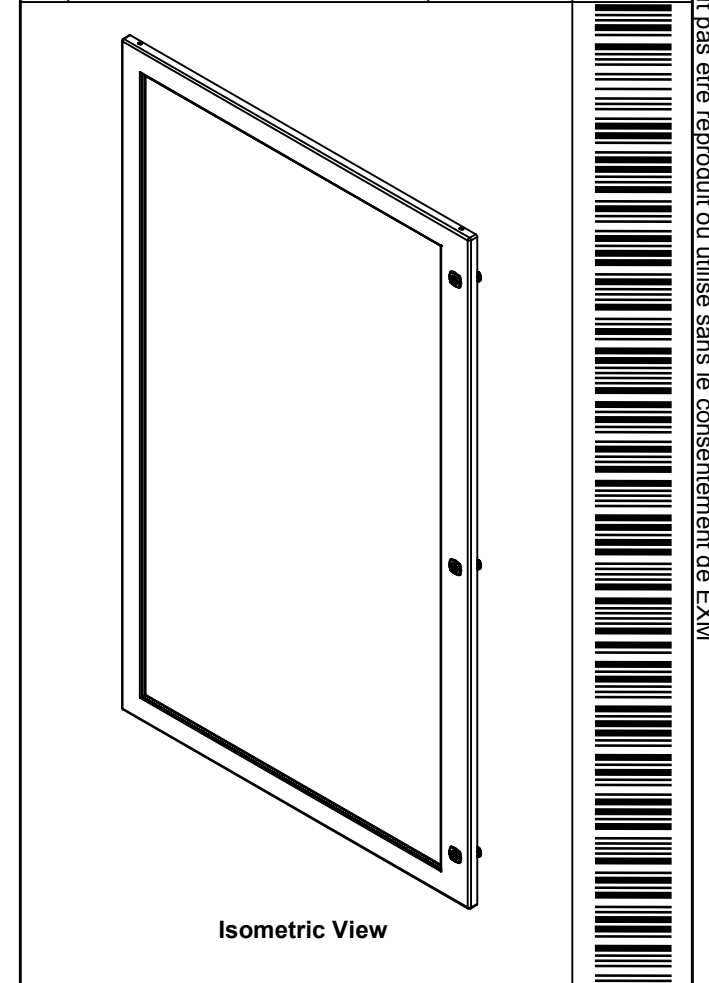


|  |                             |          |
|--|-----------------------------|----------|
|  | Description                 | Status   |
|  | 5412ESW 60" x 36" Cover     | (NULL)   |
|  | Part Number<br>Numéro Pièce | Rev.     |
|  | <b>5412ESW603616THNOIPC</b> | <b>0</b> |
|  |                             | 9        |
|  |                             | 15       |

This drawing is confidential and must not be reproduced or used without the consent of EXM

Ce dessin est confidentiel et ne doit pas être reproduit ou utilisé sans le consentement de EXM

| No. | Revisions | Date | By/Par |
|-----|-----------|------|--------|
|     |           |      |        |
|     |           |      |        |
|     |           |      |        |
|     |           |      |        |
|     |           |      |        |

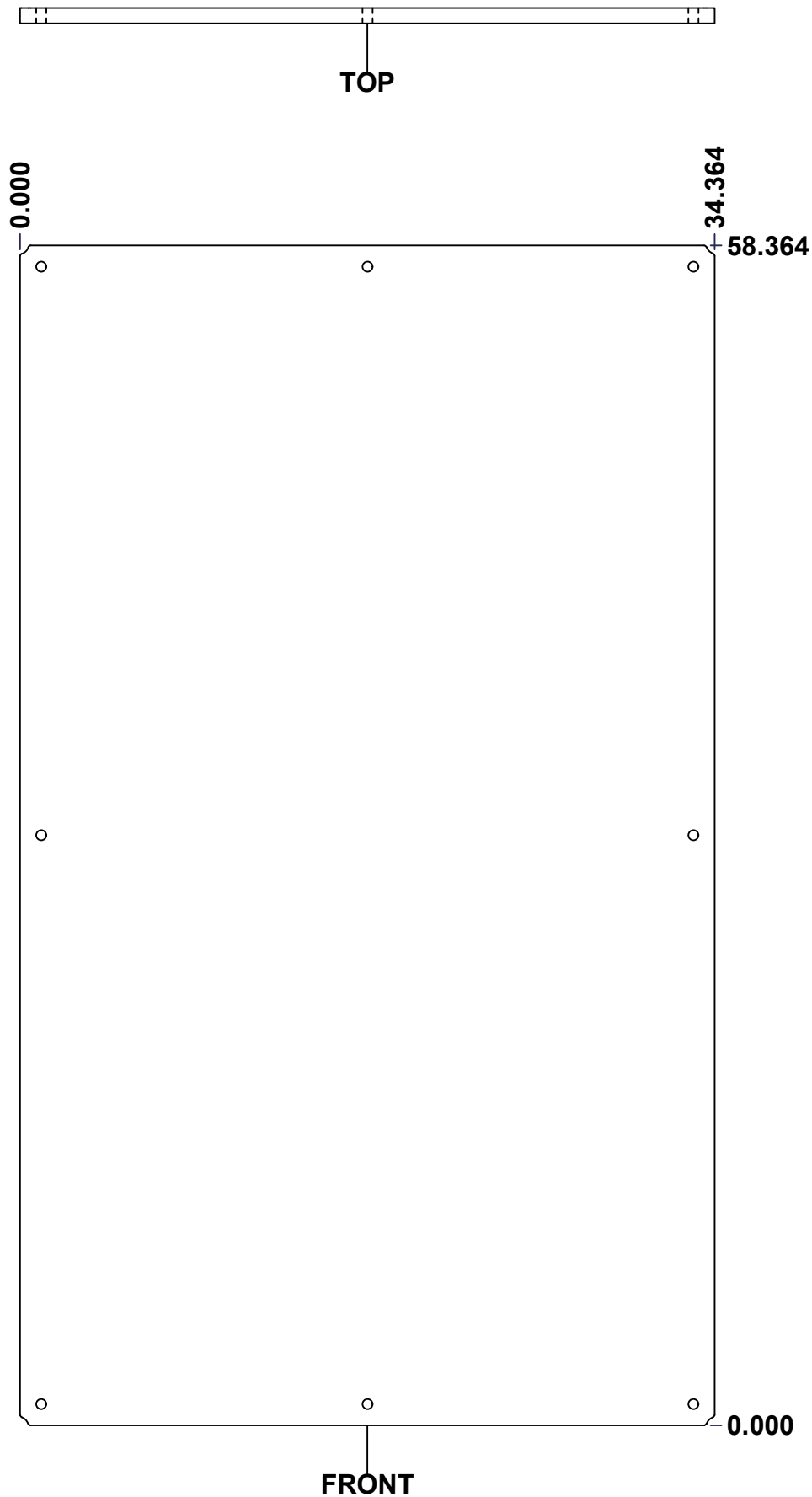


|            |                         |     |   |
|------------|-------------------------|-----|---|
| 1          | STK-P-02400S            | 0   | Powder Paint (Asa-61 Grey / Smooth)     |
| 20         | STK-Q-60701             | 2.1 | 880 WK - Lexan 1/4" Fixing Bracket      |
| 1          | STK-A-60703             | 0   | 5412 ESW Lexan Bracket Kit              |
| 24         | STK-Q-16052             | 0   | M6 x 23mm Stud (No Paint Cap Required)  |
| 1          | STK-G-02710             | 0   | 880 HWKG - Windows Kit Gasket           |
| 1          | 5412ESW603616THNOIP LXG | 0   | 5412ESW 60" x 36" Lexan Gasket Part     |
| 1          | 5412ESW603616THNOIP LX  | 0   | 5412ESW 56.375" x 32.125" Lexan Part    |
| 1          | 5412ESW603616THNOIP G   | 0   | 5412ESW 60" x 36" Cover Gasket Part     |
| 1          | 5412ESW603616THNOIP C-P | 0   | 5412ESW 60" x 36" Cover Part            |
| 4          | STK-K-09800             | 10  | 5412 ES Hinge with 2 Captive Hinge Pins |
| 3          | STK-K-12500             | 16  | 5412 ES 1/4 Turn Lock                   |
| QTY        | Part Number             | Rev | Description                             |
| Parts List |                         |     |   |

|  |   |  |
|--|---|--|
| Tél: (450) 979-4373<br>Fax: (450) 979-4626<br><a href="http://www.exmweb.com">www.exmweb.com</a> |   | Flatness<br>Aplatissement<br>Max 3.0mm<br>Projection<br> |
| Customer Client  | Date                                      |  |
| Drawn By<br>Dessiné Par  | BoxCad: BoxCad                            | Date 21-Mar-23   |
| Material<br>Matière  | 14 Ga Cold Rolled A1008 CS Type B (1.7mm) |  |
| Color<br>Couleur   | Asa-61 Grey                               | Finish<br>Fini Smooth                                    |
| Description  |   | Detail Rev.  |
| 5412ESW 60" x 36" Cover  |   |  |
| Part Number<br>Numéro Pièce  | Rev.                                      | 10   |
| <b>5412ESW603616THNOIPC</b>  | <b>0</b>                                  | 15   |

This drawing is confidential and must not be reproduced or used without the consent of EXM

Ce dessin est confidentiel et ne doit pas être reproduit ou utilisé sans le consentement de EXM



| No. | Revisions | Date | By/Par |
|-----|-----------|------|--------|
|     |           |      |        |
|     |           |      |        |
|     |           |      |        |
|     |           |      |        |
|     |           |      |        |

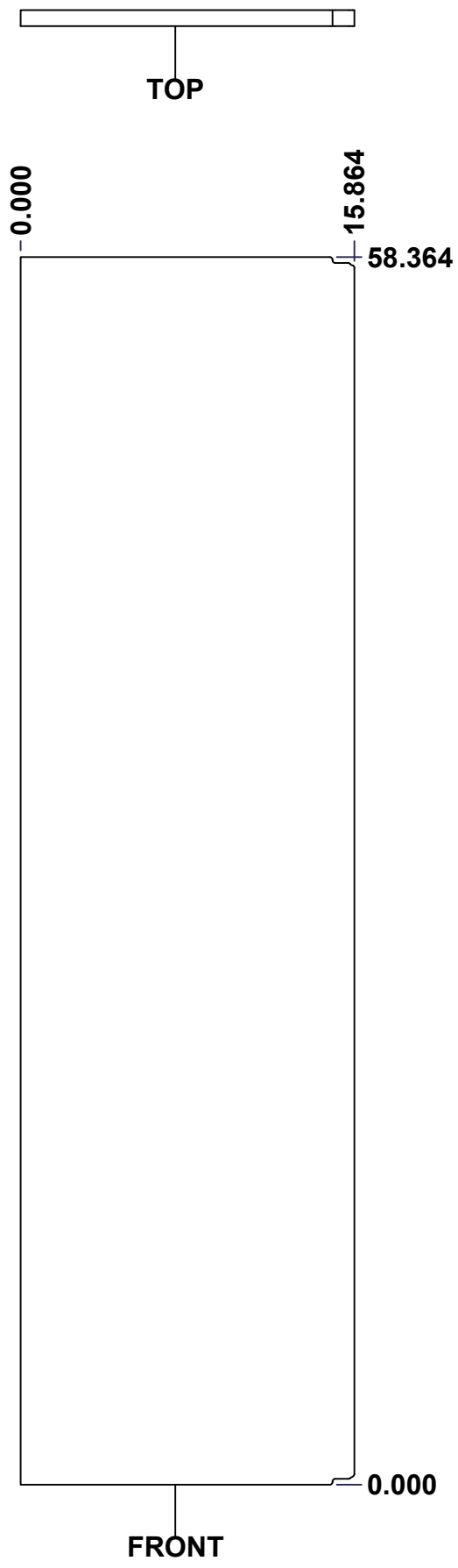
**Isometric View**

|   |                           |  |
|---|---------------------------|--|
| <p>Tél: (450) 979-4373<br/>Fax: (450) 979-4626<br/><a href="http://www.exmweb.com">www.exmweb.com</a></p> |                           | Flatness<br>Aplatissement<br>Max 3.0mm<br>Projection<br> |
| Customer Client   | Date                      |  |
| Drawn By<br>Dessiné Par   | BoxCad: Patrick Deschenes | Date 23-Jan-07   |
| Material<br>Matière   | Polyisocyanurate          |  |
| Color<br>Couleur  | Aluminum                  | Finish<br>Fini N/A                                       |
| Description   | Detail Rev.               |  |
| 5412ESW 60" x 36" Back Insulation   |                           |  |
| Part Number<br>Numéro Pièce   | Rev. 0                    | 11 / 15  |

SEE BILL OF MATERIAL ON LAST PAGE 5412ESW603616THNOIP-B

This drawing is confidential and must not be reproduced or used without the consent of EXM

Ce dessin est confidentiel et ne doit pas être reproduit ou utilisé sans le consentement de EXM



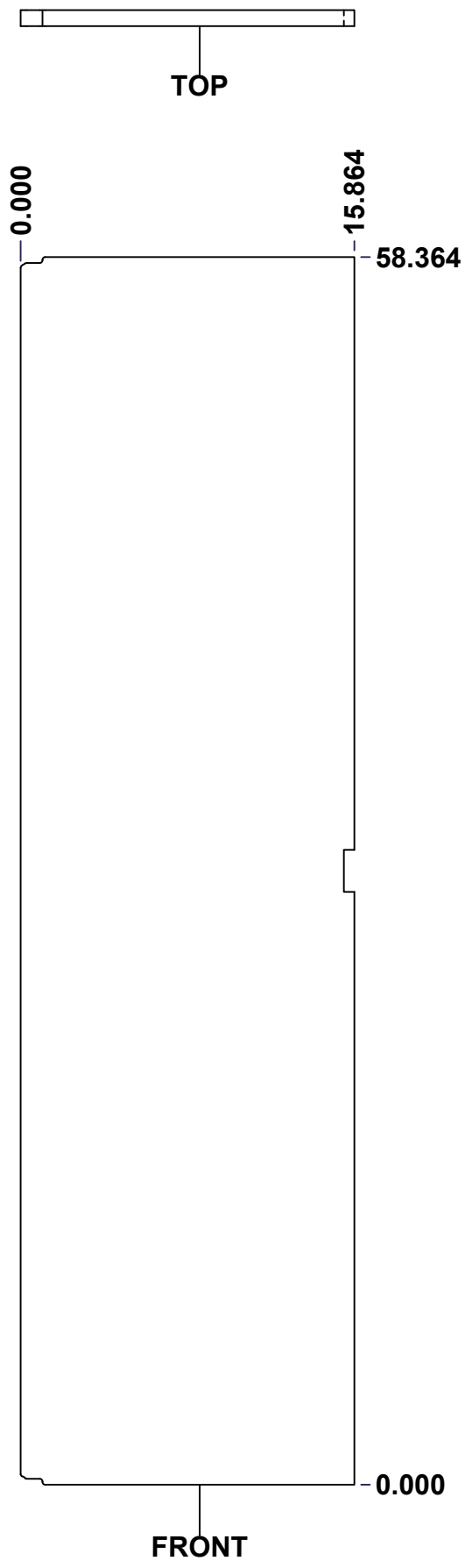
| No. | Revisions | Date | By/Par |
|-----|-----------|------|--------|
|     |           |      |        |
|     |           |      |        |
|     |           |      |        |
|     |           |      |        |
|     |           |      |        |

**Isometric View**

|   |  |                           |                |
|---|--|---------------------------|----------------|
| <p>Tél: (450) 979-4373<br/>                 Fax: (450) 979-4626<br/> <a href="http://www.exmweb.com">www.exmweb.com</a></p> |  | Flatness<br>Aplatissement |                |
|   |  | Max 3.0mm                 |                |
| Customer<br>Client  |  | Date                      |                |
| Drawn By<br>Dessiné Par   |  | Date                      |                |
| Material<br>Matière   |  | Polyisocyanurate          |                |
| Color<br>Couleur  |  | Aluminum                  | Finish<br>Fini |
| Description   |  | Detail Rev.               |                |
| Part Number<br>Numéro Pièce   |  | Rev.                      | 12             |
| SEE BILL OF MATERIAL ON LAST PAGE   |  | 5412ESW603616THNOIPI-LS   | 0              |

This drawing is confidential and must not be reproduced or used without the consent of EXM

Ce dessin est confidentiel et ne doit pas être reproduit ou utilisé sans le consentement de EXM



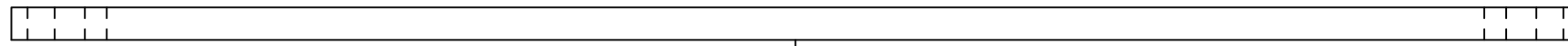
| No. | Revisions | Date | By/Par |
|-----|-----------|------|--------|
|     |           |      |        |
|     |           |      |        |
|     |           |      |        |
|     |           |      |        |
|     |           |      |        |

**Isometric View**

|  |                           |                           |
|--|---------------------------|---------------------------|
| Tél: (450) 979-4373<br>Fax: (450) 979-4626<br><a href="http://www.exmweb.com">www.exmweb.com</a> |                           | Flatness<br>Aplatissement |
|  |                           | Max 3.0mm                 |
| Projection   |                           | Date                      |
| Customer<br>Client   | BoxCad: Patrick Deschenes | Date                      |
| Drawn By<br>Dessiné Par  | BoxCad: Patrick Deschenes | Date 23-Jan-07            |
| Material<br>Matière  | Polyisocyanurate          |                           |
| Color<br>Couleur   | Aluminum                  | Finish<br>Fini N/A        |
| Description  | Detail Rev.               |                           |
| 5412ESW 60" x 36" Right Insulation   |                           |                           |
| Part Number<br>Numéro Pièce  | Rev.                      | 13                        |
| SEE BILL OF MATERIAL ON LAST PAGE 5412ESW603616THNOIPI-RS 0                                      |                           | 15                        |

This drawing is confidential and must not be reproduced or used without the consent of EXM

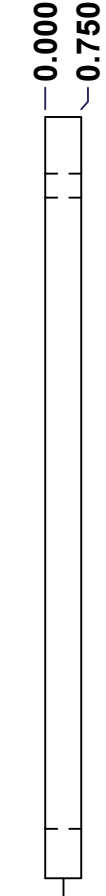
Ce dessin est confidentiel et ne doit pas être reproduit ou utilisé sans le consentement de EXM



TOP

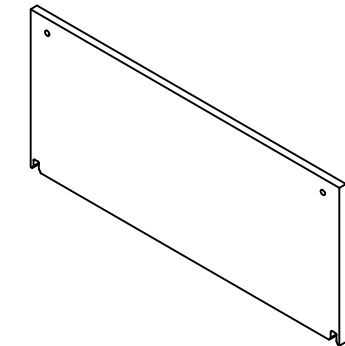


FRONT



RIGHT

| No. | Revisions | Date | By/Par |
|-----|-----------|------|--------|
|     |           |      |        |
|     |           |      |        |
|     |           |      |        |
|     |           |      |        |
|     |           |      |        |



Isometric View

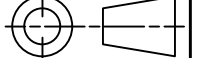


Tél: (450) 979-4373  
 Fax: (450) 979-4626  
[www.exmweb.com](http://www.exmweb.com)

Flatness  
Aplatissement

Max 3.0mm

Projection



|  |                    |
|--|--------------------|
| Customer Client  | Date               |
| Drawn By<br>Dessiné Par BoxCad: Patrick Deschenes          | Date 23-Jan-07     |
| Material<br>Matière Polyisocyanurate                       |                    |
| Color<br>Couleur Aluminum                                  | Finish<br>Fini N/A |
| Description<br>5412ESW 60" x 36" Top and Bottom Insulation | Detail Rev.        |
| Part Number<br>Numéro Pièce 5412ESW603616THNOIPI-TP        | Rev. 14            |

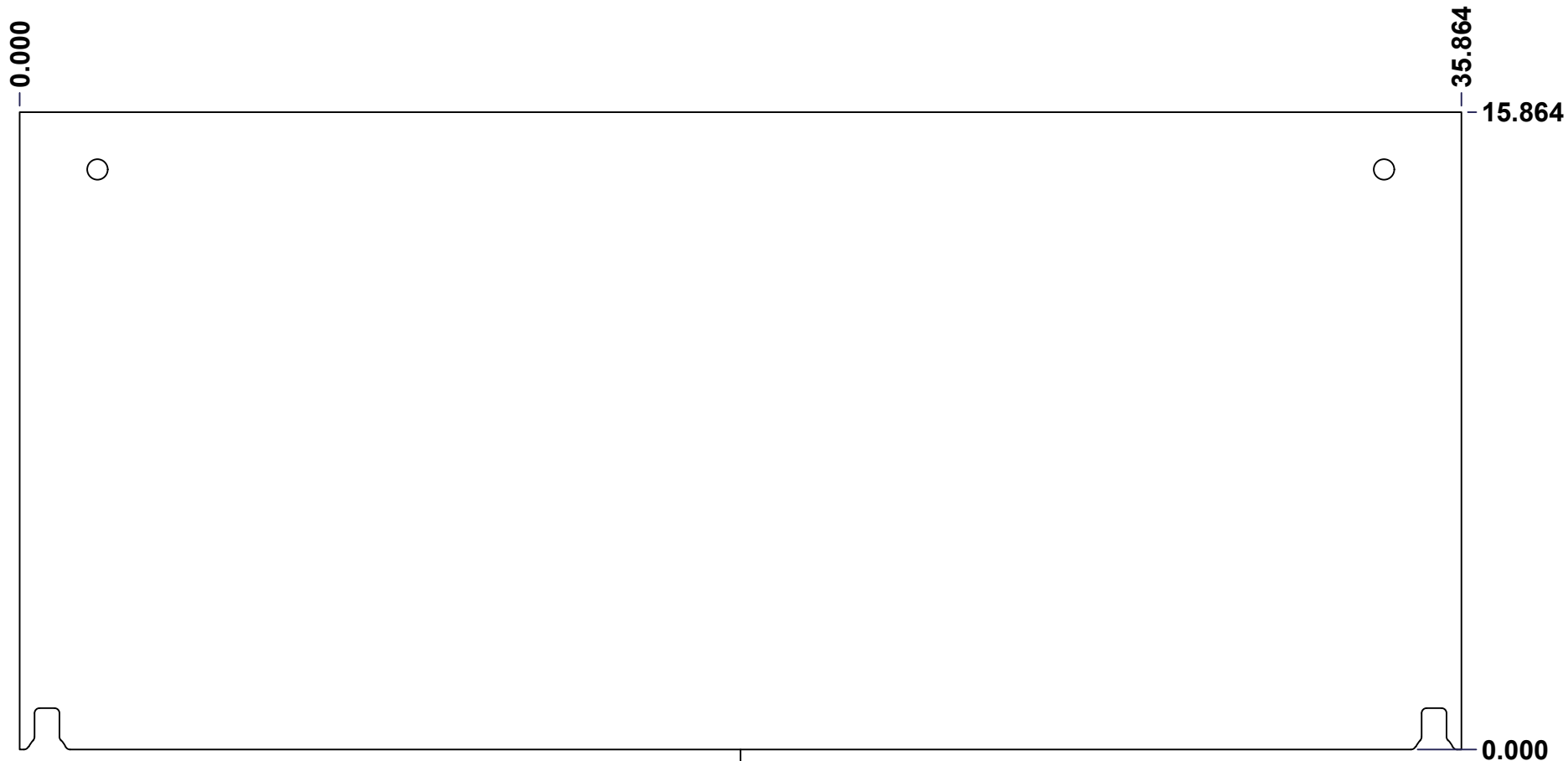
SEE BILL OF MATERIAL ON LAST PAGE

This drawing is confidential and must not be reproduced or used without the consent of EXM

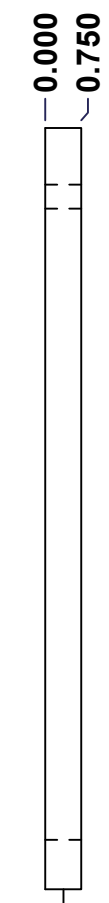
Ce dessin est confidentiel et ne doit pas être reproduit ou utilisé sans le consentement de EXM



TOP

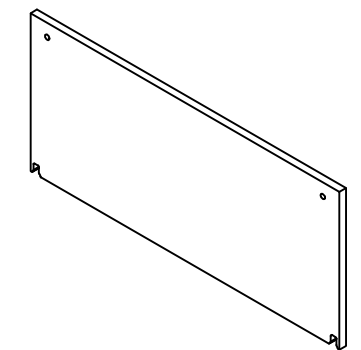


FRONT

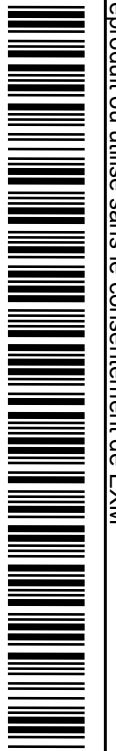



RIGHT

| No. | Revisions | Date | By/Par |
|-----|-----------|------|--------|
|     |           |      |        |
|     |           |      |        |
|     |           |      |        |
|     |           |      |        |
|     |           |      |        |



Isometric View



|  |  |                           |                |
|--|--|---------------------------|----------------|
|  Tél: (450) 979-4373<br>Fax: (450) 979-4626<br><a href="http://www.exmweb.com">www.exmweb.com</a> |  | Flatness<br>Aplatissement |                |
|  |  | Max 3.0mm                 |                |
| Customer<br>Client   |  | Date                      |                |
| Drawn By<br>Dessiné Par  |  | Date                      |                |
| Material<br>Matière  |  | Polyisocyanurate          |                |
| Color<br>Couleur   |  | Aluminum                  | Finish<br>Fini |
| Description  |  | Detail Rev.               |                |
| Part Number<br>Numéro Pièce  |  | Rev.                      | 15             |

SEE BILL OF MATERIAL ON LAST PAGE 5412ESW603616THNOIPI-BT 0 15