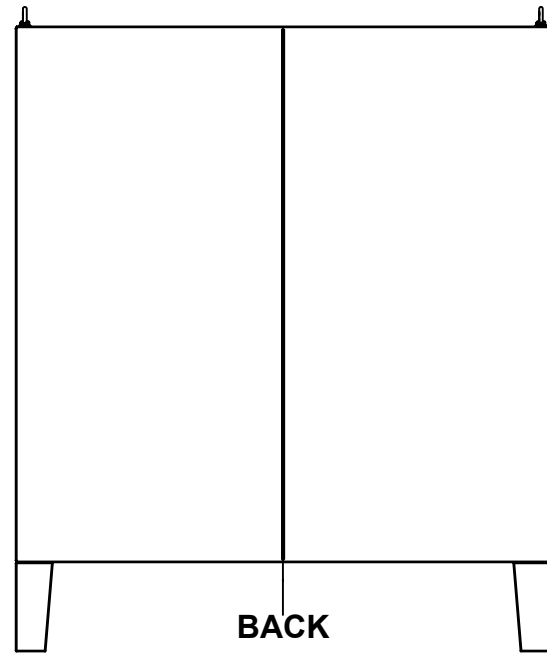


This drawing is confidential and must not be reproduced or used without the consent of EXM

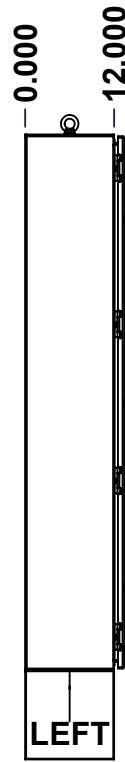
Ce dessin est confidentiel et ne doit pas être reproduit ou utilisé sans le consentement de EXM



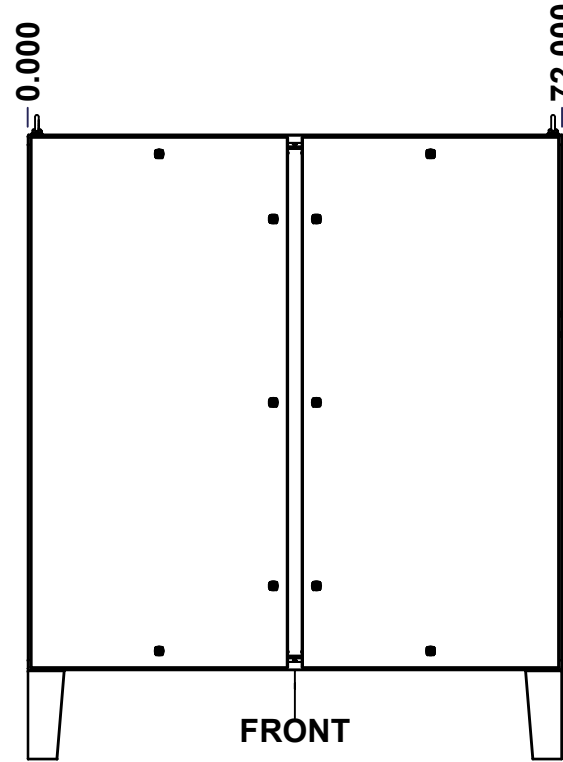
TOP



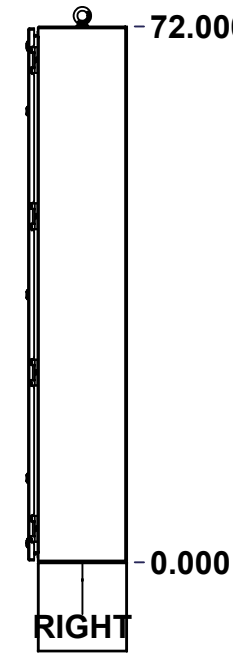
BACK



LEFT



FRONT

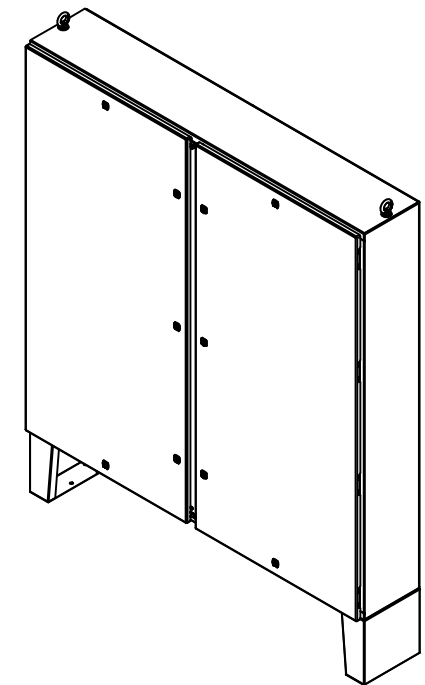


RIGHT



BOTTOM

No.	Revisions	Date	By/Par


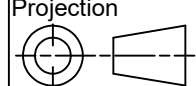


Isometric View



**GRAIN DIRECTION:
TOP/BOTTOM: HORIZONTAL
LEFT/RIGHT/BACK/FRONT: VERTICAL**

SEE BILL OF MATERIAL ON LAST PAGE

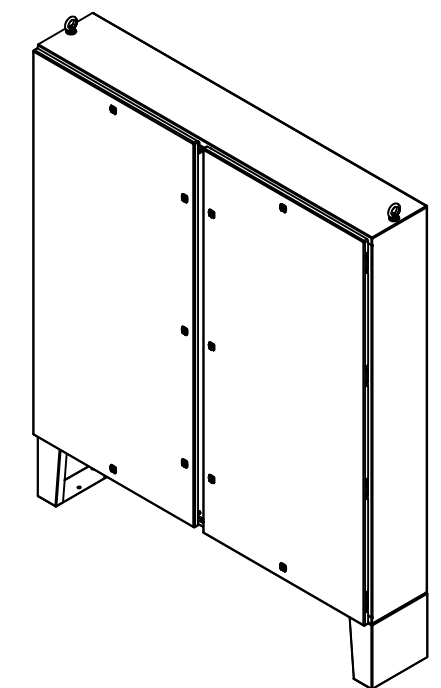
 Tél: (450) 979-4373 Fax: (450) 979-4626 www.exmweb.com		Flatness Aplatissement Max 3.0mm Projection 
Customer Client	Date	
Drawn By Dessiné Par	BoxCad: BoxCad	Date 22-Oct-19
Material Matière	12 Ga Stainless Steel 316 (2.5mm)	
Color Couleur	Unpainted	Finish Fini Brushed
Description	Detail Rev.	
5412SSDD 72" x 72" x 12" Assembly		
Part Number Numéro Pièce	Rev. 0	1 2
5412SSDD7272126		

This drawing is confidential and must not be reproduced or used without the consent of EXM

Ce dessin est confidentiel et ne doit pas être reproduit ou utilisé sans le consentement de EXM

NOTE	
ITEM	DESCRIPTION
1	NEMA 4X Enclosure
2	C/W Standard ground studs on box and cover
3	C/W Standard door stiffener
4	C/W Standard inner panel (Included)
5	C/W Standard inner panel mounting studs
6	C/W Mounting feet sold separately (Installed)
7	C/W Struts installed (Included)
8	C/W Eyebolts

No.	Revisions	Date	By/Par



Isometric View



PACKING		
ITEM	QTY	DESCRIPTION
Cardboard sleeve	2	Top and Bottom
Cardboard strip	2	Between back of enclosure and inner panel
Plastic bag	1	To protect cover surface and inside gasket
Cardboard corner	4	To reinforced for the plastic strap tightening
Plastic strap - Black	2	To Squeeze 2 cardboard sleeve together
Packaging label	3	White label with PN
Plastic strap- Green	2	To secure the enclosure to the wood pallet
Wood Pallet	1	2" deeper and 3" larger than enclosure size

Qty	Part Number	Rev	Description
1	5412SSDD7272126MF	0	885 MFHD 12" x 12" Mounting Feet
1	880INT1	2	880 INT1 - Interlock Post Kit
1	880EB14SS	2	Stainless Steel Eye Bolt M14 (Pack of 2)
8	STK-Q-07320	0	Flange Lock Nut M10
1	885SP7272G	0	885 SP7272G Inner Panel
6	STK-Q-07620	0	M10 Plastic Spacer 0.875"
1	5412SSDD7272126FD	0	5412SSDD 72" x 72" Master Door
1	5412SSDD7272126LD	0	5412SSDD 72" x 72" Slave Door
1	5412SSDD7272126B	0	5412SSDD 72" x 72" x 12" Body
2	5412SSDD7272126GP	0	5412SSDD Gland Plate
8	STK-Q-04051-10	8	M6 Hexagon Socket Head Machine Screw with Nyseal
Parts List			

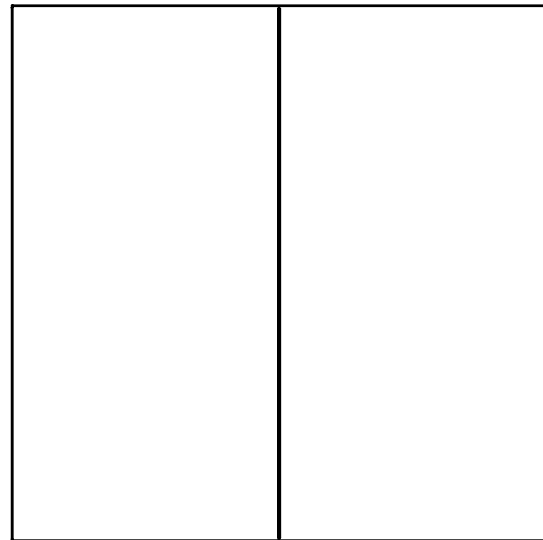
	Tél: (450) 979-4373 Fax: (450) 979-4626 www.exmweb.com	Flatness Aplatissement Max 3.0mm
		Projection
Customer Client	BoxCad: BoxCad	Date 22-Oct-19
Material Matière	12 Ga Stainless Steel 316 (2.5mm)	
Color Couleur	Unpainted	Finish Fini Brushed
Description	5412SSDD 72" x 72" x 12" Assembly	
Part Number Numéro Pièce	5412SSDD7272126	Rev. 0

This drawing is confidential and must not be reproduced or used without the consent of EXM

Ce dessin est confidentiel et ne doit pas être reproduit ou utilisé sans le consentement de EXM



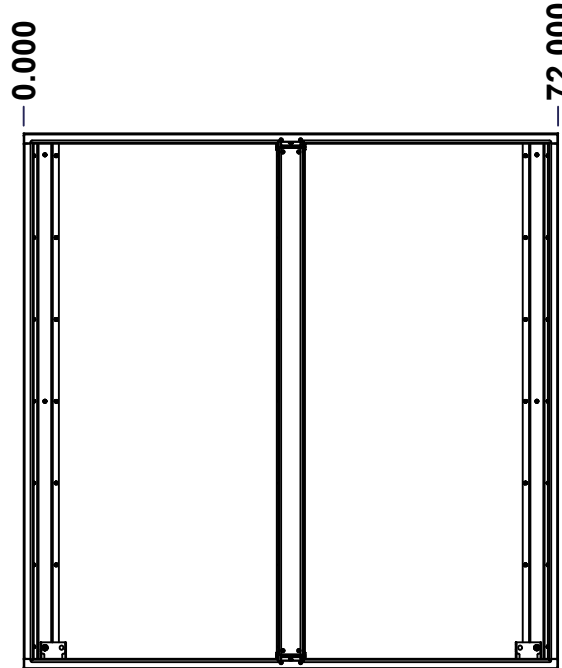
TOP



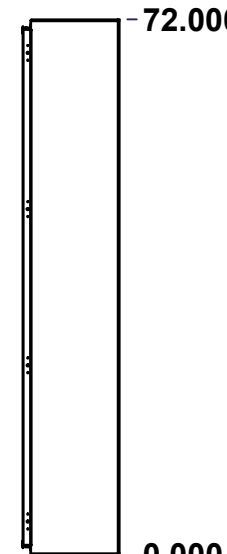
BACK



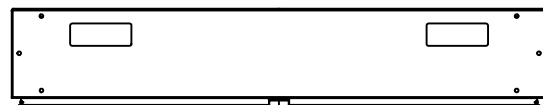
LEFT



FRONT

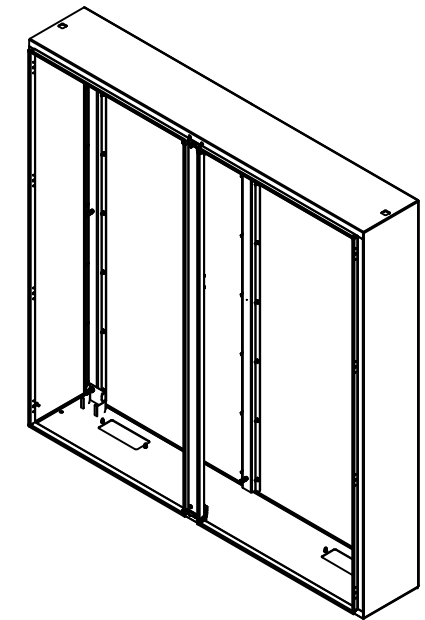


RIGHT



BOTTOM

No.	Revisions	Date	By/Par



Isometric View

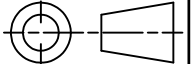


Tél: (450) 979-4373
 Fax: (450) 979-4626
www.exmweb.com

Flatness
Aplatissement

Max 3.0mm

Projection



Customer Client	Date
Drawn By / Dessiné Par: BoxCad: BoxCad	Date: 22-Oct-19

Material / Matière: 12 Ga Stainless Steel 316 (2.5mm)

Color / Couleur: Unpainted	Finish / Fini: Brushed
----------------------------	------------------------

Description: 5412SSDD 72" x 72" x 12" Body	Detail Rev.
--	-------------

Part Number / Numéro Pièce: 5412SSDD7272126B	Rev. 1	2
SEE BILL OF MATERIAL ON LAST PAGE	0	2

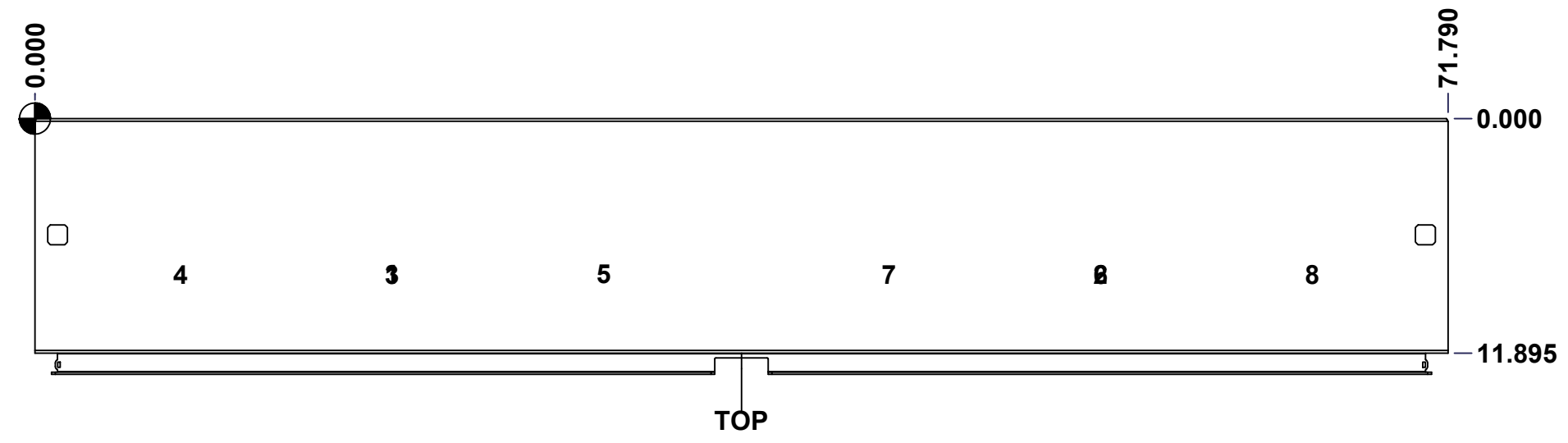
This drawing is confidential and must not be reproduced or used without the consent of EXM

Ce dessin est confidentiel et ne doit pas être reproduit ou utilisé sans le consentement de EXM

STANDARD FEATURES ARE NOT LISTED IN THIS HOLE TABLE

HOLE TABLE - TOP VIEW (CUSTOM FEATURE ONLY)

CUT-OUT	XDIM	YDIM	DESCRIPTION
1	17.895	7.895	Struts CR400 27.500" (Inside)
2	53.895	7.895	Struts CR400 27.500" (Inside)
3	17.895	7.895	STUDS M6 x 10mm (Inside)
4	7.145	7.895	STUDS M6 x 10mm (Inside)
5	28.645	7.895	STUDS M6 x 10mm (Inside)
6	53.895	7.895	STUDS M6 x 10mm (Inside)
7	43.145	7.895	STUDS M6 x 10mm (Inside)
8	64.645	7.895	STUDS M6 x 10mm (Inside)

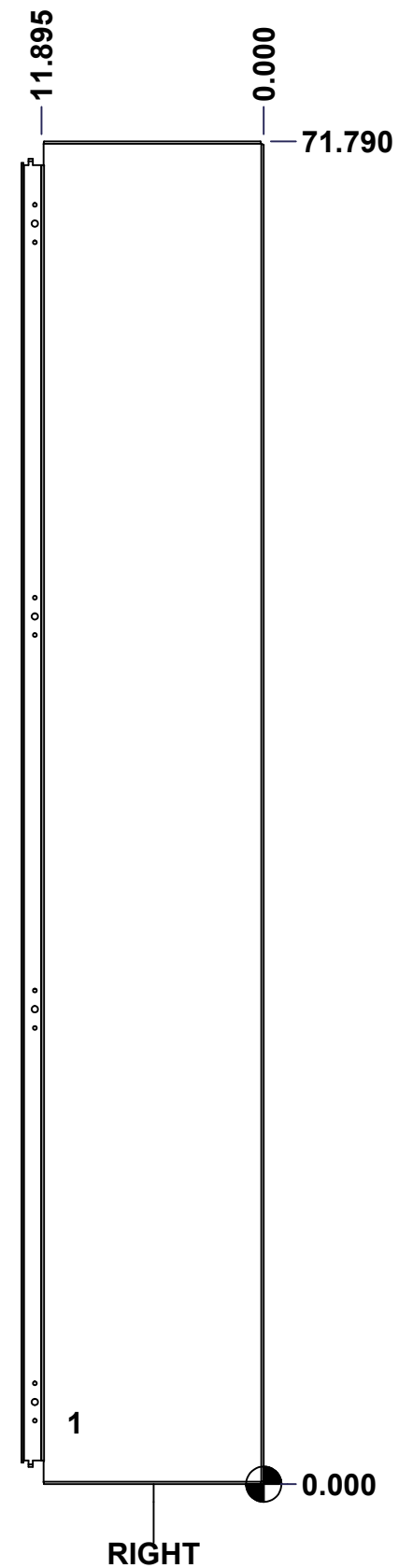


	Description	Status	
	5412SSDD 72" x 72" x 12" Body	Released	
	Part Number Numéro Pièce	Rev.	
	5412SSDD7272126B	0	2 / 7

This drawing is confidential and must not be reproduced or used without the consent of EXM

Ce dessin est confidentiel et ne doit pas être reproduit ou utilisé sans le consentement de EXM

STANDARD FEATURES ARE NOT LISTED IN THIS HOLE TABLE			
HOLE TABLE - RIGHT VIEW (CUSTOM FEATURE ONLY)			
CUT-OUT	XDIM	YDIM	DESCRIPTION
1	10.395	3.270	GND STUD M6 x 16mm (Inside)



	Description	Status	
	5412SSDD 72" x 72" x 12" Body	Released	
	Part Number Numéro Pièce	Rev.	
	5412SSDD7272126B	0	3 / 7

This drawing is confidential and must not be reproduced or used without the consent of EXM

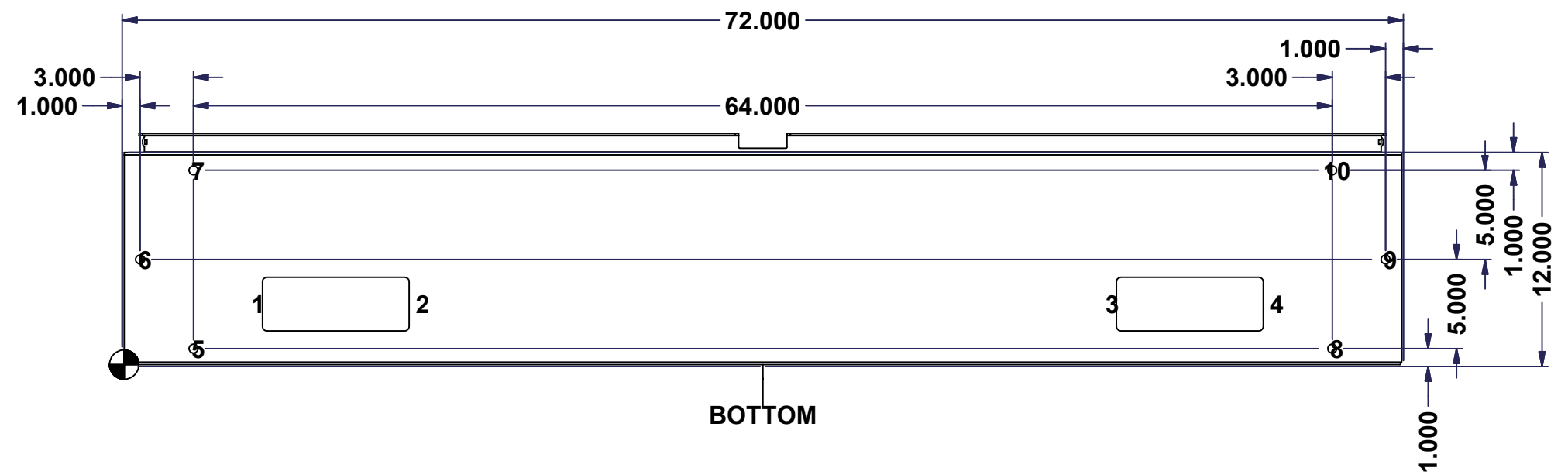
Ce dessin est confidentiel et ne doit pas être reproduit ou utilisé sans le consentement de EXM

STANDARD FEATURES ARE NOT LISTED IN THIS HOLE TABLE

HOLE TABLE - BOTTOM VIEW (CUSTOM FEATURE ONLY)

CUT-OUT	XDIM	YDIM	DESCRIPTION
1	7.270	3.395	GP STUD M6 x 16mm (Inside)
2	16.520	3.395	GP STUD M6 x 16mm (Inside)
3	55.270	3.395	GP STUD M6 x 16mm (Inside)
4	64.520	3.395	GP STUD M6 x 16mm (Inside)

5	3.895	0.895	RND Ø0.500
6	0.895	5.895	RND Ø0.500
7	3.895	10.895	RND Ø0.500
8	67.895	0.895	RND Ø0.500
9	70.895	5.895	RND Ø0.500
10	67.895	10.895	RND Ø0.500

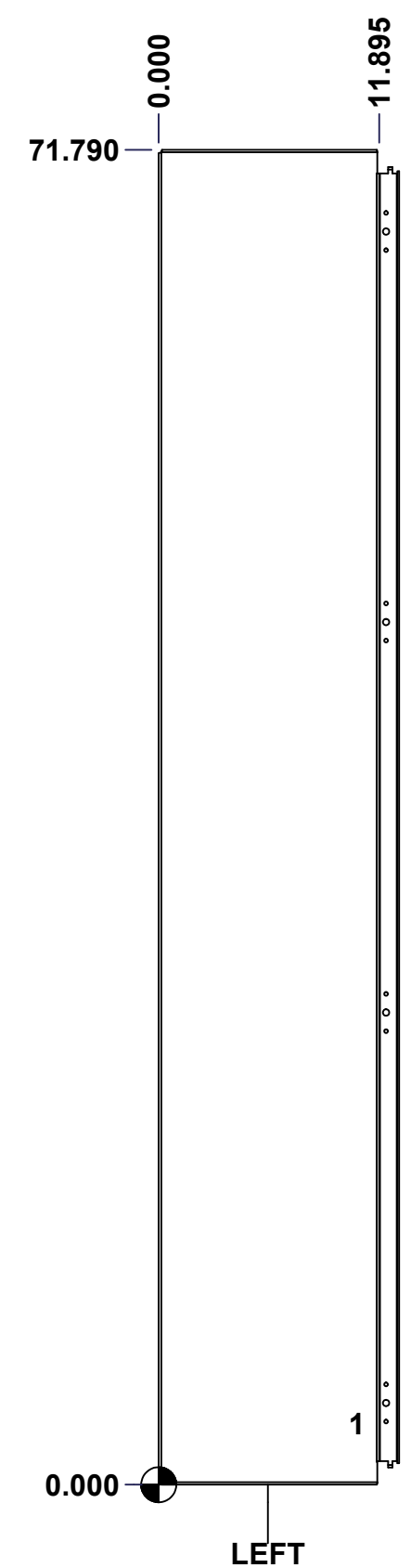


	Description	Status	
	5412SSDD 72" x 72" x 12" Body	Released	
	Part Number Numéro Pièce	Rev.	
	5412SSDD7272126B	0	4 7

This drawing is confidential and must not be reproduced or used without the consent of EXM

Ce dessin est confidentiel et ne doit pas être reproduit ou utilisé sans le consentement de EXM

STANDARD FEATURES ARE NOT LISTED IN THIS HOLE TABLE			
HOLE TABLE - LEFT VIEW (CUSTOM FEATURE ONLY)			
CUT-OUT	XDIM	YDIM	DESCRIPTION
1	10.395	3.270	GND STUD M6 x 16mm (Inside)

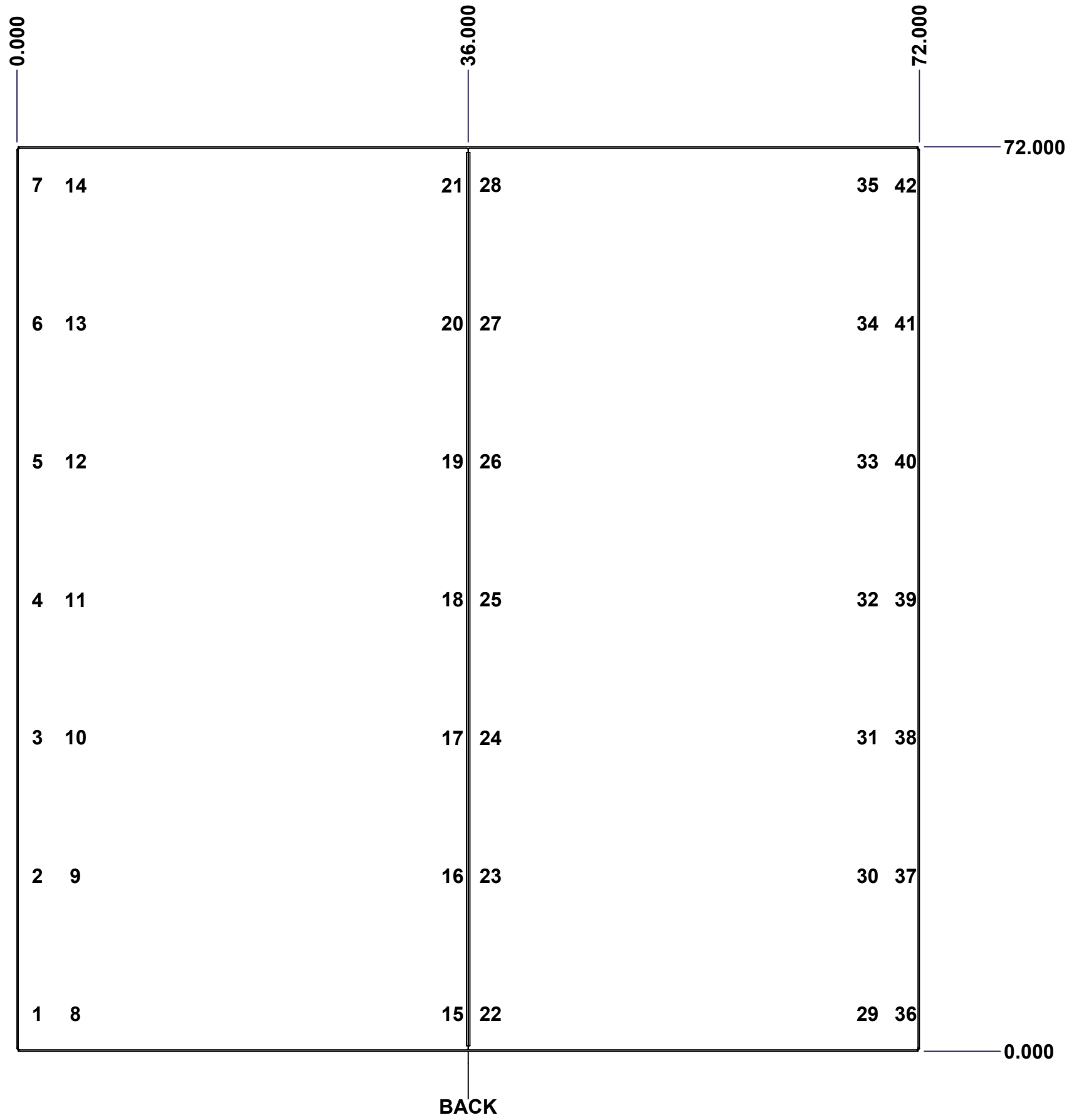


	Description	Status	
	5412SSDD 72" x 72" x 12" Body	Released	
	Part Number Numéro Pièce	Rev.	
	5412SSDD7272126B	0	5 / 7

This drawing is confidential and must not be reproduced or used without the consent of EXM

Ce dessin est confidentiel et ne doit pas être reproduit ou utilisé sans le consentement de EXM

STANDARD FEATURES ARE NOT LISTED IN THIS HOLE TABLE			
HOLE TABLE - BACK VIEW (CUSTOM FEATURE ONLY)			
CUT-OUT	XDIM	YDIM	DESCRIPTION
1	1.355	3.000	STUDS M6 x 18mm (Inside)
2	1.355	14.000	STUDS M6 x 18mm (Inside)
3	1.355	25.000	STUDS M6 x 18mm (Inside)
4	1.355	36.000	STUDS M6 x 18mm (Inside)
5	1.355	47.000	STUDS M6 x 18mm (Inside)
6	1.355	58.000	STUDS M6 x 18mm (Inside)
7	1.355	69.000	STUDS M6 x 18mm (Inside)
8	4.395	3.000	STUDS M6 x 18mm (Inside)
9	4.395	14.000	STUDS M6 x 18mm (Inside)
10	4.395	25.000	STUDS M6 x 18mm (Inside)
11	4.395	36.000	STUDS M6 x 18mm (Inside)
12	4.395	47.000	STUDS M6 x 18mm (Inside)
13	4.395	58.000	STUDS M6 x 18mm (Inside)
14	4.395	69.000	STUDS M6 x 18mm (Inside)
15	34.480	3.000	STUDS M6 x 18mm (Inside)
16	34.480	14.000	STUDS M6 x 18mm (Inside)
17	34.480	25.000	STUDS M6 x 18mm (Inside)
18	34.480	36.000	STUDS M6 x 18mm (Inside)
19	34.480	47.000	STUDS M6 x 18mm (Inside)
20	34.480	58.000	STUDS M6 x 18mm (Inside)
21	34.480	69.000	STUDS M6 x 18mm (Inside)
22	37.520	3.000	STUDS M6 x 18mm (Inside)
23	37.520	14.000	STUDS M6 x 18mm (Inside)
24	37.520	25.000	STUDS M6 x 18mm (Inside)
25	37.520	36.000	STUDS M6 x 18mm (Inside)
26	37.520	47.000	STUDS M6 x 18mm (Inside)
27	37.520	58.000	STUDS M6 x 18mm (Inside)
28	37.520	69.000	STUDS M6 x 18mm (Inside)
29	67.605	3.000	STUDS M6 x 18mm (Inside)
30	67.605	14.000	STUDS M6 x 18mm (Inside)
31	67.605	25.000	STUDS M6 x 18mm (Inside)
32	67.605	36.000	STUDS M6 x 18mm (Inside)
33	67.605	47.000	STUDS M6 x 18mm (Inside)
34	67.605	58.000	STUDS M6 x 18mm (Inside)
35	67.605	69.000	STUDS M6 x 18mm (Inside)
36	70.645	3.000	STUDS M6 x 18mm (Inside)
37	70.645	14.000	STUDS M6 x 18mm (Inside)
38	70.645	25.000	STUDS M6 x 18mm (Inside)
39	70.645	36.000	STUDS M6 x 18mm (Inside)
40	70.645	47.000	STUDS M6 x 18mm (Inside)
41	70.645	58.000	STUDS M6 x 18mm (Inside)
42	70.645	69.000	STUDS M6 x 18mm (Inside)

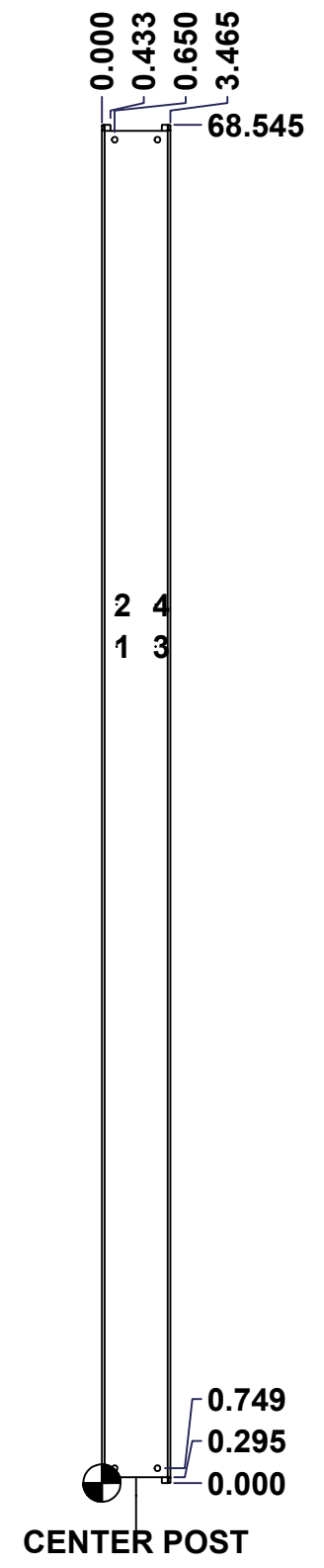


	Description	Status
	5412SSDD 72" x 72" x 12" Body	Released
	Part Number Numéro Pièce	Rev.
	5412SSDD7272126B	0
		6
		7

This drawing is confidential and must not be reproduced or used without the consent of EXM

Ce dessin est confidentiel et ne doit pas être reproduit ou utilisé sans le consentement de EXM

STANDARD FEATURES ARE NOT LISTED IN THIS HOLE TABLE			
HOLE TABLE - CENTER VIEW (CUSTOM FEATURE ONLY)			
CUT-OUT	XDIM	YDIM	DESCRIPTION
1	0.748	42.220	INTERLOCK STUD M6 x 16mm (Inside)
2	0.748	44.346	INTERLOCK STUD M6 x 16mm (Inside)
3	2.717	42.220	INTERLOCK STUD M6 x 16mm (Inside)
4	2.717	44.346	INTERLOCK STUD M6 x 16mm (Inside)



	Description	Status	
	5412SSDD 72" x 72" x 12" Body	Released	
	Part Number Numéro Pièce	Rev.	
	5412SSDD7272126B	0	6 7

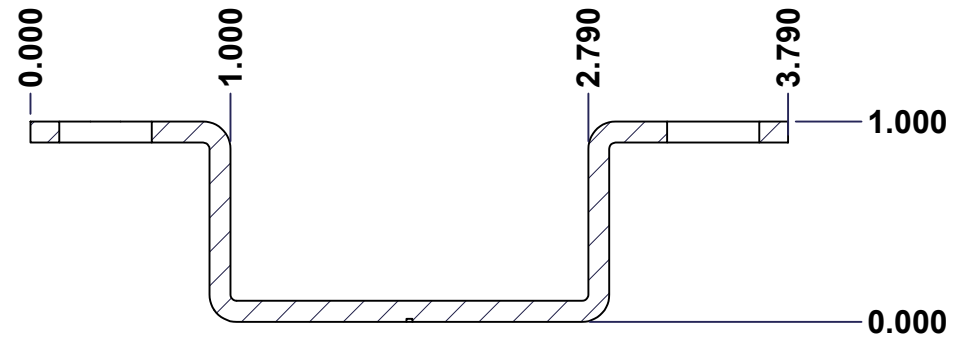
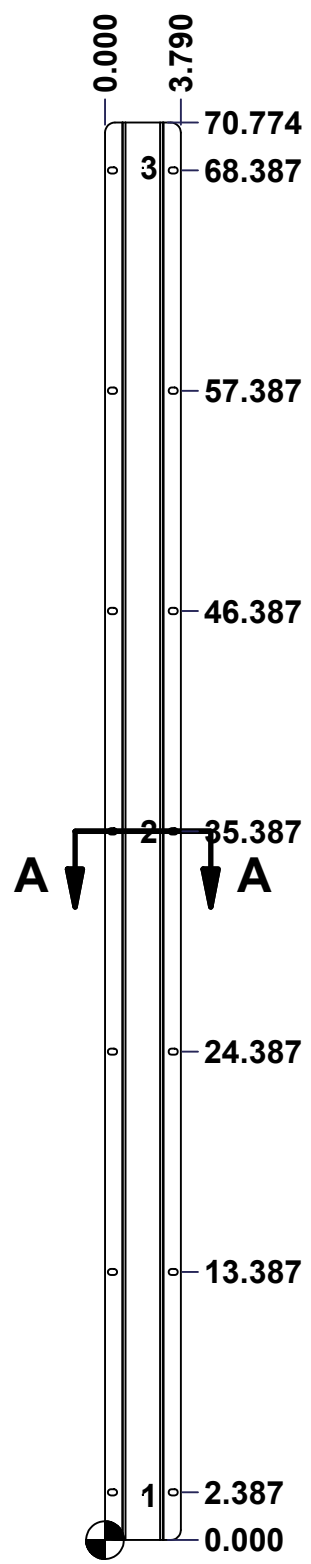
This drawing is confidential and must not be reproduced or used without the consent of EXM

Ce dessin est confidentiel et ne doit pas être reproduit ou utilisé sans le consentement de EXM

STANDARD FEATURES ARE NOT LISTED IN THIS HOLE TABLE

HOLE TABLE - CENTER VIEW (CUSTOM FEATURE ONLY)

CUT-OUT	XDIM	YDIM	DESCRIPTION
1	1.895	2.262	IP STUD M10 x 40mm (Outside)
2	1.895	35.387	IP STUD M10 x 40mm (Outside)
3	1.895	68.512	IP STUD M10 x 40mm (Outside)



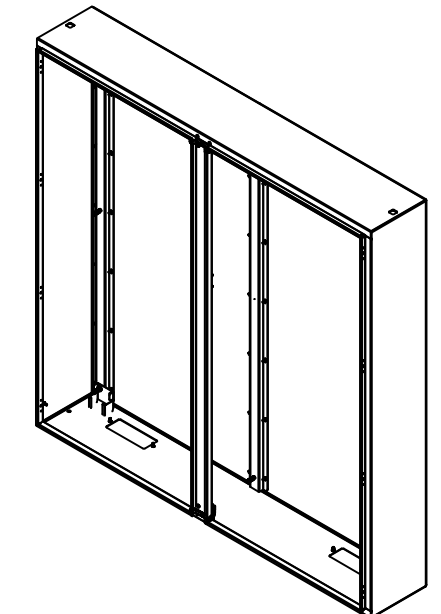
SECTION A-A

	Description	Status	
	5412SSDD 72" x 72" x 12" Body	Released	
	Part Number Numéro Pièce	Rev.	
	5412SSDD7272126B	0	6 7

This drawing is confidential and must not be reproduced or used without the consent of EXM

Ce dessin est confidentiel et ne doit pas être reproduit ou utilisé sans le consentement de EXM

No.	Revisions	Date	By/Par



Isometric View

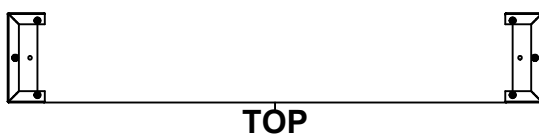


Qty	Part Number	Rev	Description
6	STK-Q-16040	0	Stud M6 x 10mm Stainless Steel
2	STK-Q-16085	0	Ground Stud M6 x 16mm Stainless Steel
4	STK-Q-16095	0	M6 x 16mm Stainless Steel Ground Stud
46	STK-Q-16070	1	Stud M6 x 18mm Stainless Steel
1	STK-A-75456	2	Center Post - Stainless Steel Sealing Block with Latch Assembly (Large)
1	5412SSDD7272126CP-P	0	5412SSDD 72" Center Post Part
8	STK-Q-16120	0	Stud M10 x 40mm Stainless Steel
2	STK-Q-07320	0	Flange Lock Nut M10
2	STK-Q-07618	1	5500 Series Inner Panel Support Bracket
3	5412SSDD7272126POST-P	0	5412SSDD 72" IP Post Part
1	5412SSDD7272126BT-P	0	5412SSDD 72" x 12" Bottom Part
1	5412SSDD7272126T-P	0	5412SSDD 72" x 12" Top Part
1	5412SSDD7272126RS-P	0	5412SSDD 72" x 72" Right Part
1	5412SSDD7272126LS-P	0	5412SSDD 72" x 72" Left Part
1	5412SSDD7272126BR-P	0	5412SSDD 72" x 72" Back Right Part
1	5412SSDD7272126BL-P	0	5412SSDD 72" x 72" Back Left Part
2	CR400SS_27.5	0	Commercial Roll Stainless Steel (27.5in long)
48	STK-Q-07220	1	M6 Nylon Insert Lock Nut
Qty	Part Number	Rev	Description
Parts List			

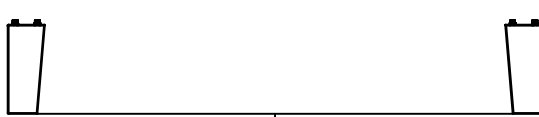
Tél: (450) 979-4373 Fax: (450) 979-4626 www.exmweb.com		Flatness Aplatissement Max 3.0mm Projection
Customer Client	Date	Date 22-Oct-19
Drawn By Dessiné Par	BoxCad: BoxCad	
Material Matière	12 Ga Stainless Steel 316 (2.5mm)	
Color Couleur	Unpainted	Finish Fini Brushed
Description	5412SSDD 72" x 72" x 12" Body	
Part Number Numéro Pièce	Rev. 0	2
5412SSDD7272126B		2

This drawing is confidential and must not be reproduced or used without the consent of EXM

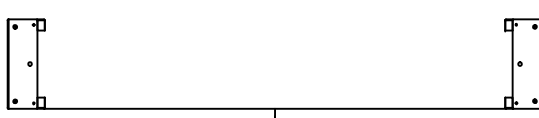
Ce dessin est confidentiel et ne doit pas être reproduit ou utilisé sans le consentement de EXM



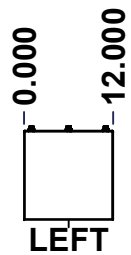
TOP



BACK



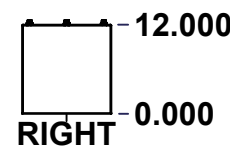
BOTTOM



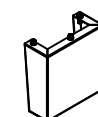
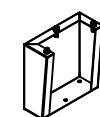
LEFT



FRONT




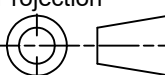
RIGHT



Isometric View



No.	Revisions	Date	By/Par

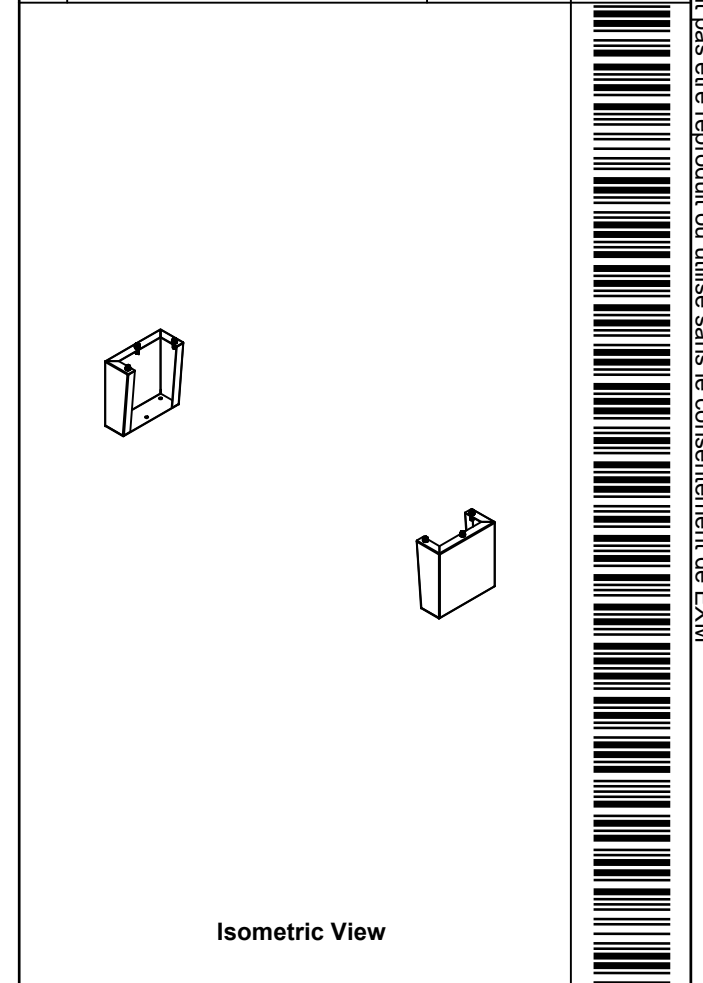
 Tél: (450) 979-4373 Fax: (450) 979-4626 www.exmweb.com		Flatness Aplatissement Max 3.0mm Projection 
Customer Client	Date	
Drawn By Dessiné Par	BoxCad: BoxCad	Date 22-Oct-19
Material Matière	12 Ga Stainless Steel 316 (2.5mm)	
Color Couleur	Unpainted	Finish Fini Brushed
Description	Detail Rev.	
885 MFHD 12" x 12" Mounting Feet		
Part Number Numéro Pièce	Rev.	1
5412SSDD7272126MF	0	4



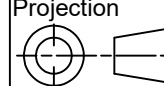
SEE BILL OF MATERIAL ON LAST PAGE

This drawing is confidential and must not be reproduced or used without the consent of EXM

Ce dessin est confidentiel et ne doit pas être reproduit ou utilisé sans le consentement de EXM

No.	Revisions	Date	By/Par

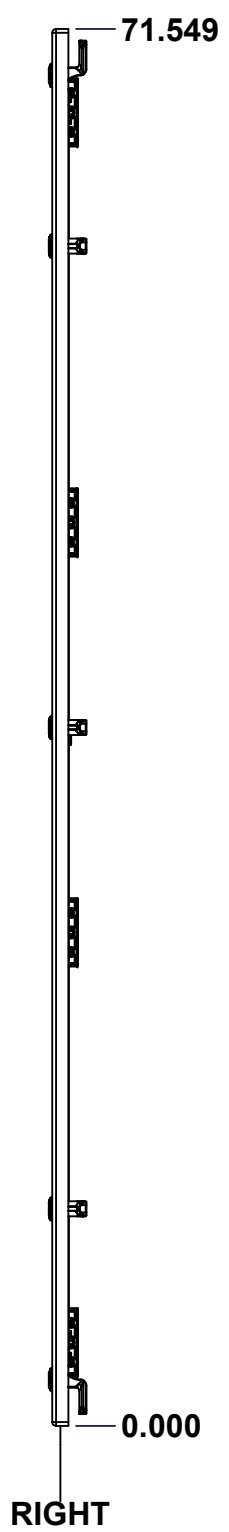
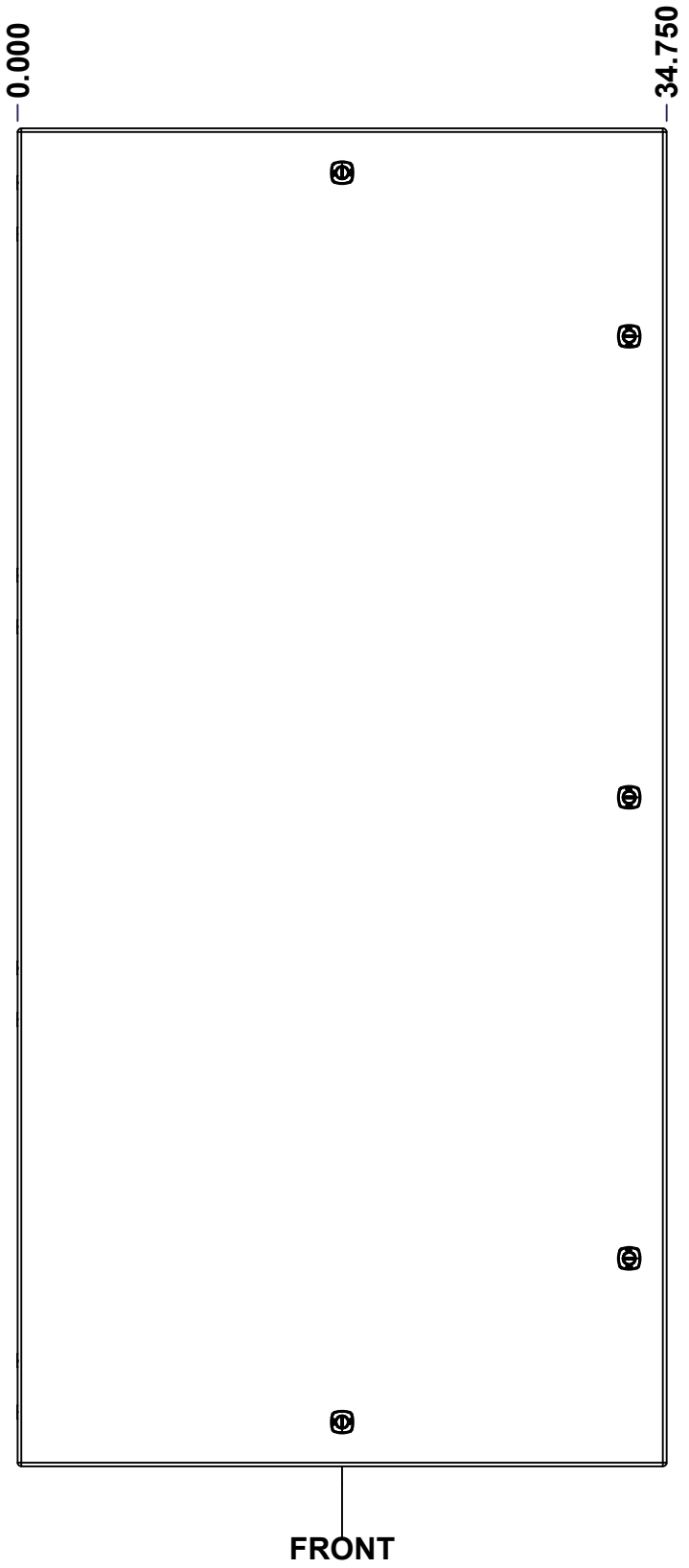
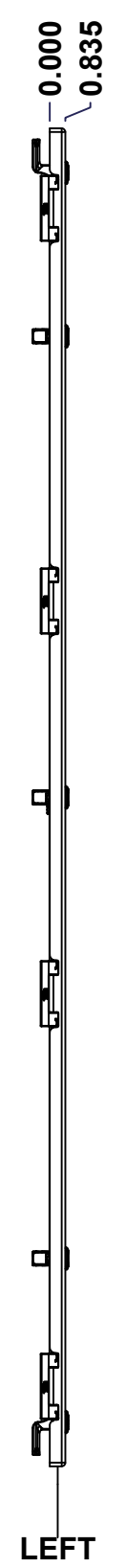
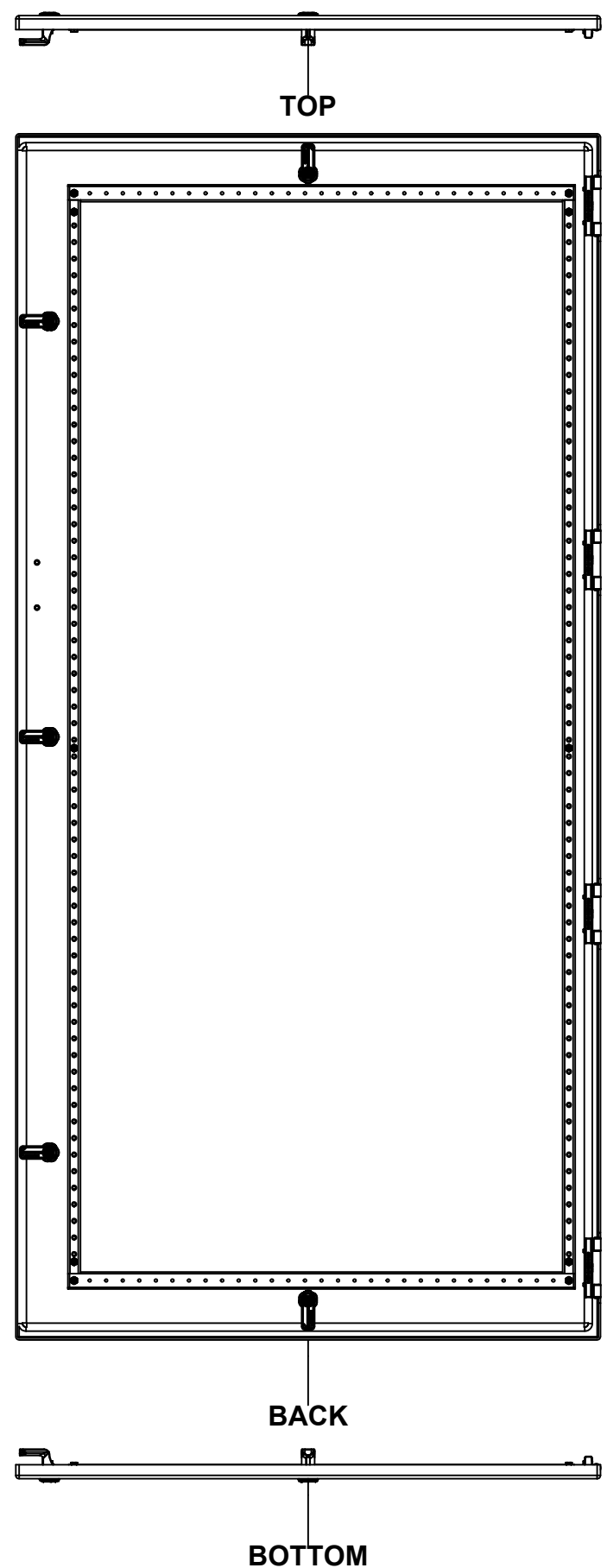


 Tél: (450) 979-4373 Fax: (450) 979-4626 www.exmweb.com		Flatness Aplatissement  Max 3.0mm Projection 
Customer Client	Date	
Drawn By Dessiné Par	BoxCad: BoxCad	Date 22-Oct-19
Material Matière	12 Ga Stainless Steel 316 (2.5mm)	
Color Couleur	Unpainted	Finish Fini Brushed
Description		Detail Rev.
885 MFHD 12" x 12" Mounting Feet		
Part Number Numéro Pièce	Rev.	4
5412SSDD7272126MF	0	4

Qty	Part Name	Rev	Description
6	RIVET_NUT_SS_M10_FH_CE	0	Stainless Steel Rivet Nut M10 (Low Profile Close End)
1	5412SSDD7272126MFR-P	0	885 MFHD 12" x 12" Right Mounting Feet Part
1	5412SSDD7272126MFL-P	0	885 MFHD 12" x 12" Left Mounting Feet Part
1	STK-K-11610	2	885 MFSS Accessory Kit
Parts List			

This drawing is confidential and must not be reproduced or used without the consent of EXM

Ce dessin est confidentiel et ne doit pas être reproduit ou utilisé sans le consentement de EXM



No.	Revisions	Date	By/Par

Isometric View

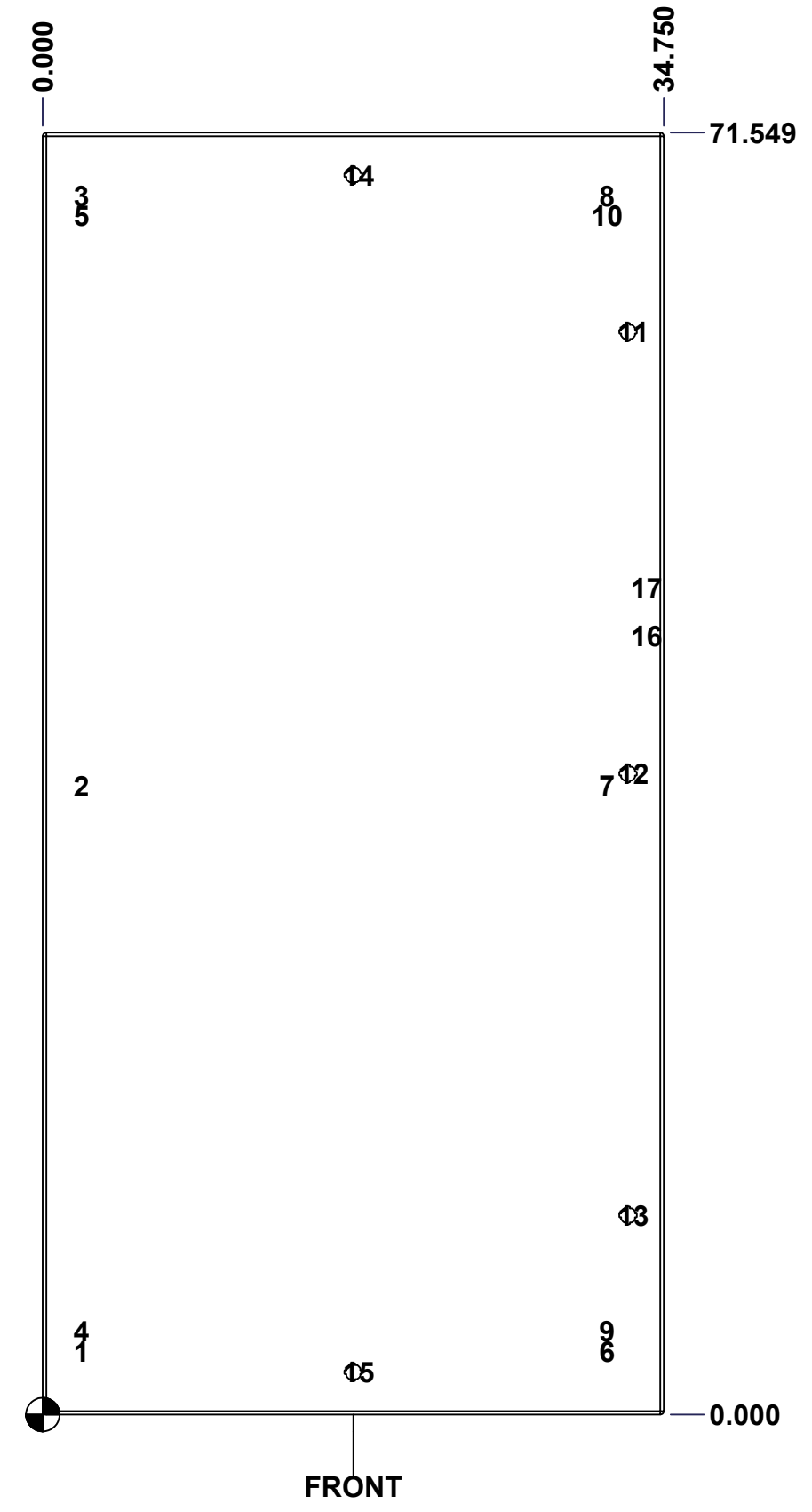
<p>Tél: (450) 979-4373 Fax: (450) 979-4626 www.exmweb.com</p>		Flatness Aplatissement	
		Max 3.0mm	
Customer Client		Projection	
Date			
Drawn By Dessiné Par BoxCad: BoxCad		Date 22-Oct-19	
Material Matière 12 Ga Stainless Steel 316 (2.5mm)			
Color Couleur Unpainted		Finish Fini Brushed	
Description 5412SSDD 72" x 72" Slave Door		Detail Rev.	
Part Number Numéro Pièce 5412SSDD7272126LD		Rev. 0	1/3

SEE BILL OF MATERIAL ON LAST PAGE

This drawing is confidential and must not be reproduced or used without the consent of EXM

Ce dessin est confidentiel et ne doit pas être reproduit ou utilisé sans le consentement de EXM

STANDARD FEATURES ARE NOT LISTED IN THIS HOLE TABLE			
HOLE TABLE - FRONT VIEW (CUSTOM FEATURE ONLY)			
CUT-OUT	XDIM	YDIM	DESCRIPTION
1	1.875	3.524	STUD M6 x 18mm (Inside)
2	1.875	35.109	STUD M6 x 18mm (Inside)
3	1.875	68.024	STUD M6 x 18mm (Inside)
4	1.875	4.636	STUD M6 x 18mm (Inside)
5	1.875	66.912	STUD M6 x 18mm (Inside)
6	31.282	3.524	STUD M6 x 18mm (Inside)
7	31.282	35.109	STUD M6 x 18mm (Inside)
8	31.282	68.024	STUD M6 x 18mm (Inside)
9	31.282	4.636	STUD M6 x 18mm (Inside)
10	31.282	66.912	STUD M6 x 18mm (Inside)
-----	-----	-----	-----
11	32.750	60.430	LOCK 889 SCQ4-SLSS6 @ 0.0°
12	32.750	35.774	LOCK 889 SCQ4-SLSS6 @ 0.0°
13	32.750	11.118	LOCK 889 SCQ4-SLSS6 @ 0.0°
14	17.375	69.180	LOCK 889 SCQ4-SLSS6 @ 90.0°
15	17.375	2.368	LOCK 889 SCQ4-SLSS6 @ 270.0°
16	33.489	43.445	STUDS M6 x 18mm (Inside)
17	33.489	46.123	STUDS M6 x 18mm (Inside)



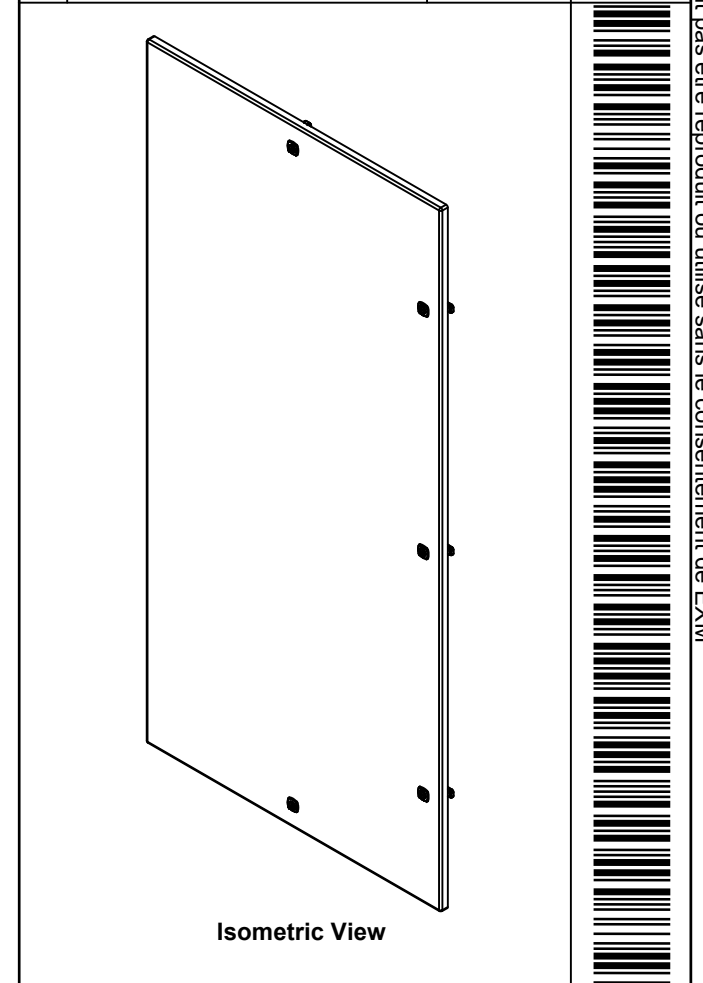
FRONT


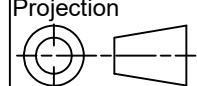
	Description	Status	
	5412SSDD 72" x 72" Slave Door	(NULL)	
	Part Number Numéro Pièce	Rev.	
	5412SSDD7272126LD	0	2 3

This drawing is confidential and must not be reproduced or used without the consent of EXM

Ce dessin est confidentiel et ne doit pas être reproduit ou utilisé sans le consentement de EXM

No.	Revisions	Date	By/Par

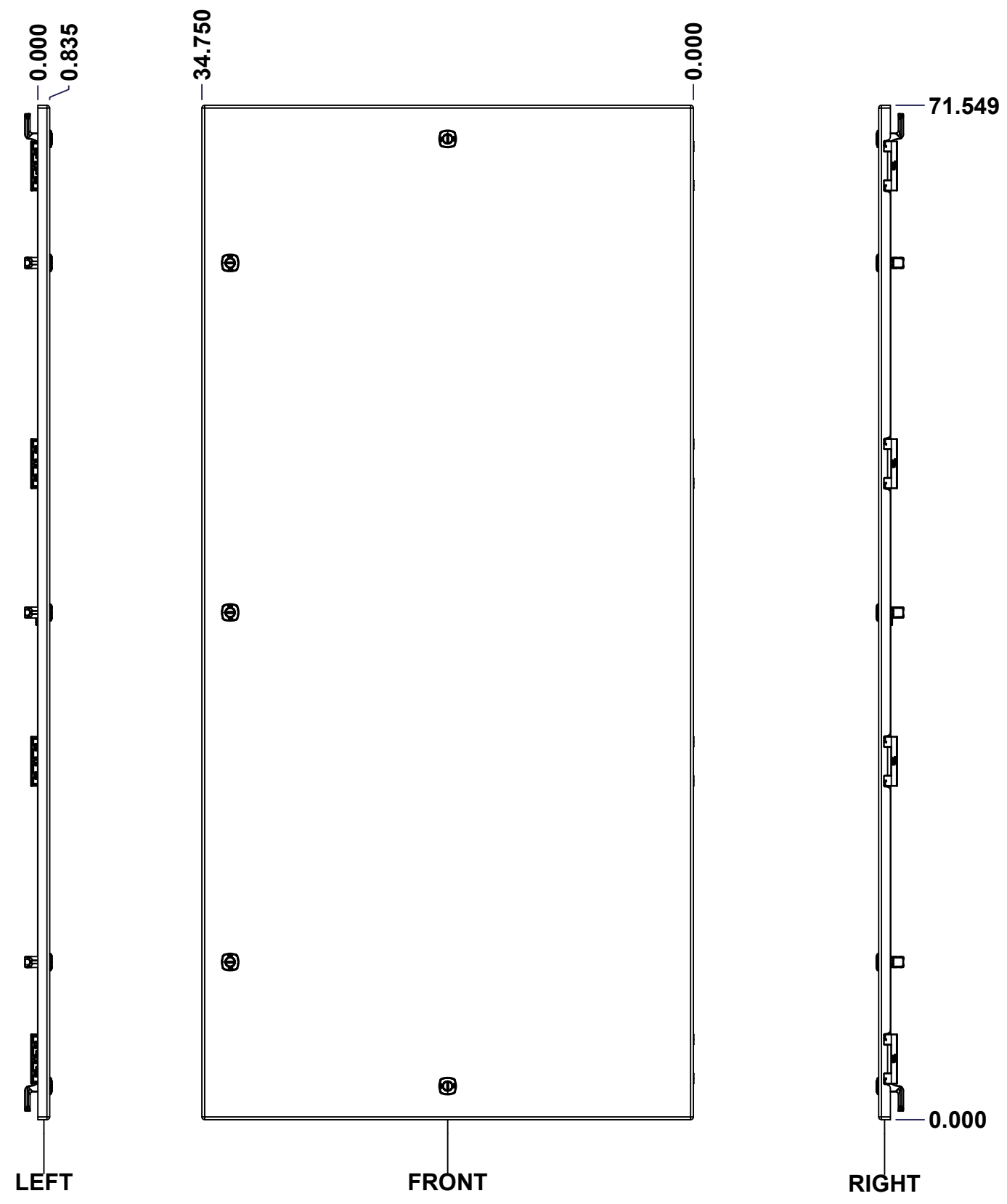
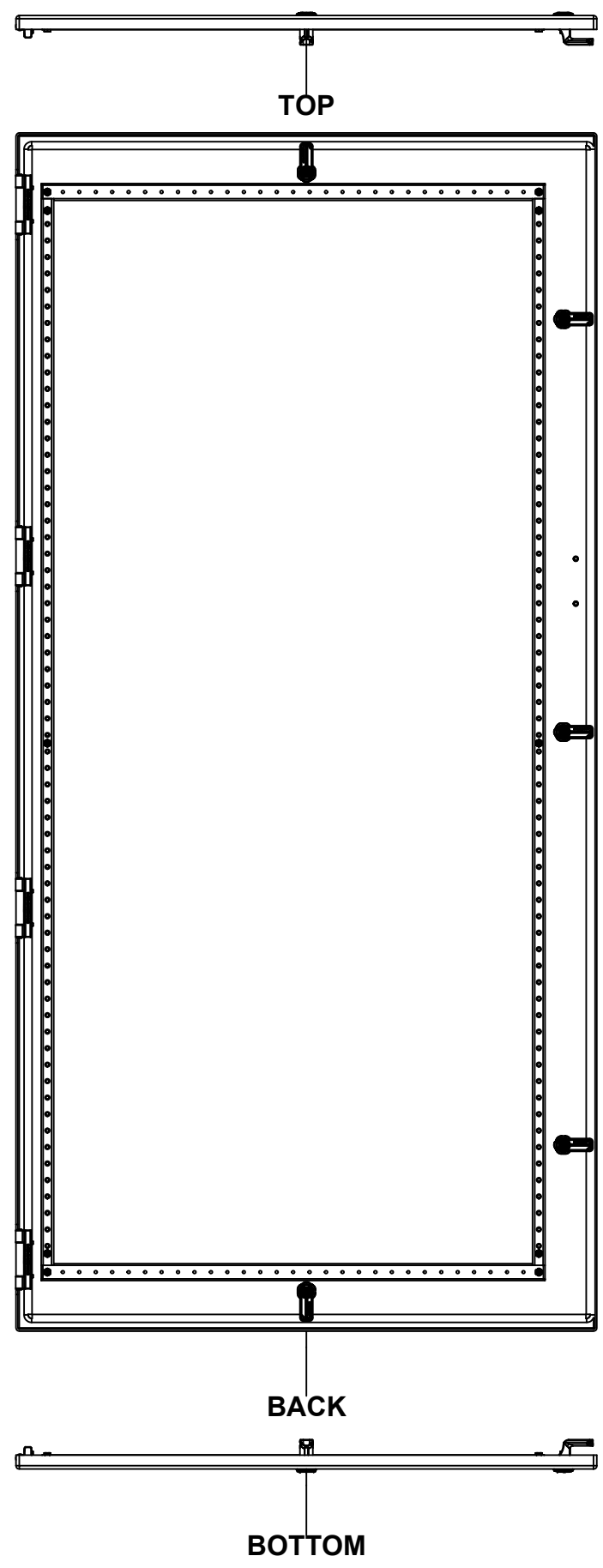


 Tél: (450) 979-4373 Fax: (450) 979-4626 www.exmweb.com		Flatness Aplatissement Max 3.0mm Projection 
Customer Client	Date	
Drawn By Dessiné Par	BoxCad: BoxCad	Date 22-Oct-19
Material Matière	12 Ga Stainless Steel 316 (2.5mm)	
Color Couleur	Unpainted	Finish Fini Brushed
Description		Detail Rev.
5412SSDD 72" x 72" Slave Door		
Part Number Numéro Pièce	Rev.	3
5412SSDD7272126LD	0	3

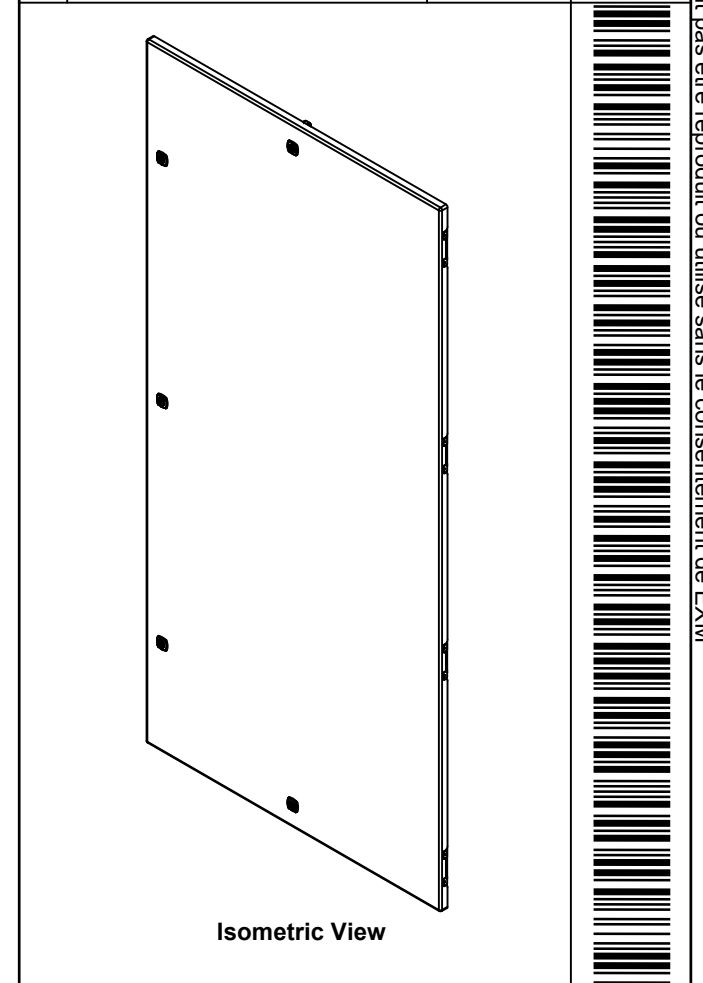
Qty	Part Name	Rev	Description
1	5412SSDD7272126DG	0	5412SSDD 72" x 72" Door Gasket
1	5412SSDD7272126DS1	0	5412SSDD 72" x 72" Door Stiffener
12	STK-Q-16070	1	Stud M6 x 18mm Stainless Steel
1	5412SSDD7272126LD-P	0	5412SSDD 72" x 72" Slave Door Part
4	STK-K-09870	7	Cabinet Hinge with Captive Pins
5	889 SCQ4-SLSS6	0	9412 SS 1/4 Turn Lock
Parts List			


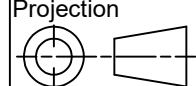
This drawing is confidential and must not be reproduced or used without the consent of EXM

Ce dessin est confidentiel et ne doit pas être reproduit ou utilisé sans le consentement de EXM



No.	Revisions	Date	By/Par



 Tél: (450) 979-4373 Fax: (450) 979-4626 www.exmweb.com		Flatness Aplatissement Max 3.0mm Projection 
Customer Client	Date	
Drawn By Dessiné Par	BoxCad: BoxCad	Date 22-Oct-19
Material Matière	12 Ga Stainless Steel 316 (2.5mm)	
Color Couleur	Unpainted	Finish Fini Brushed
Description	Detail Rev.	
5412SSDD 72" x 72" Master Door		
Part Number Numéro Pièce	Rev. 0	1 / 3
5412SSDD7272126FD		

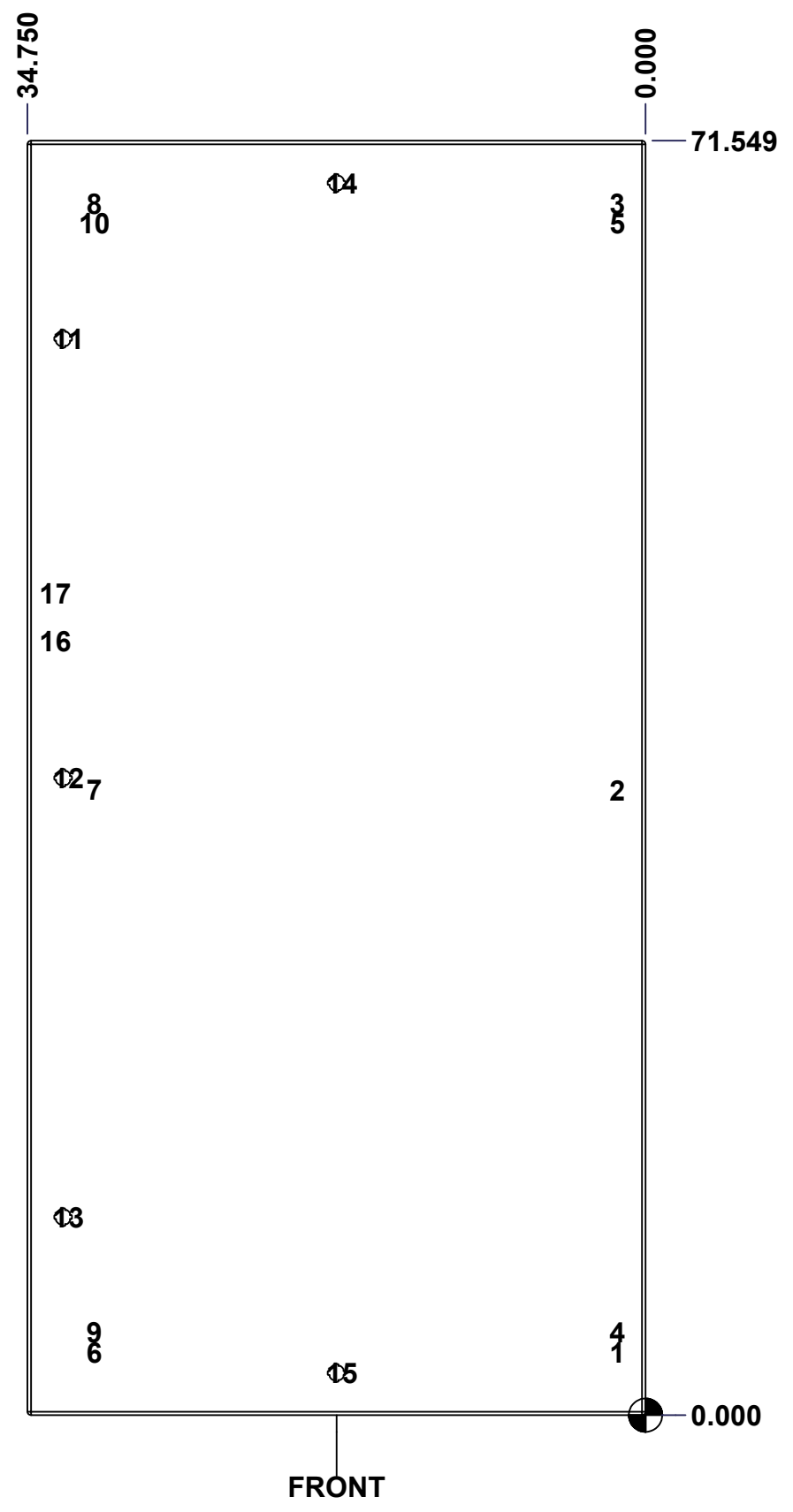
SEE BILL OF MATERIAL ON LAST PAGE

This drawing is confidential and must not be reproduced or used without the consent of EXM

Ce dessin est confidentiel et ne doit pas être reproduit ou utilisé sans le consentement de EXM

STANDARD FEATURES ARE NOT LISTED IN THIS HOLE TABLE			
HOLE TABLE - FRONT VIEW (CUSTOM FEATURE ONLY)			
CUT-OUT	XDIM	YDIM	DESCRIPTION
1	1.875	3.524	STUD M6 x 18mm (Inside)
2	1.875	35.109	STUD M6 x 18mm (Inside)
3	1.875	68.024	STUD M6 x 18mm (Inside)
4	1.875	4.636	STUD M6 x 18mm (Inside)
5	1.875	66.912	STUD M6 x 18mm (Inside)
6	31.282	3.524	STUD M6 x 18mm (Inside)
7	31.282	35.109	STUD M6 x 18mm (Inside)
8	31.282	68.024	STUD M6 x 18mm (Inside)
9	31.282	4.636	STUD M6 x 18mm (Inside)
10	31.282	66.912	STUD M6 x 18mm (Inside)

11	32.750	60.430	LOCK 889 SCQ4-SLSS6 @ 180.0°
12	32.750	35.774	LOCK 889 SCQ4-SLSS6 @ 180.0°
13	32.750	11.118	LOCK 889 SCQ4-SLSS6 @ 180.0°
14	17.375	69.180	LOCK 889 SCQ4-SLSS6 @ 90.0°
15	17.375	2.368	LOCK 889 SCQ4-SLSS6 @ 270.0°
16	33.489	43.445	STUDS M6 x 18mm (Inside)
17	33.489	46.123	STUDS M6 x 18mm (Inside)



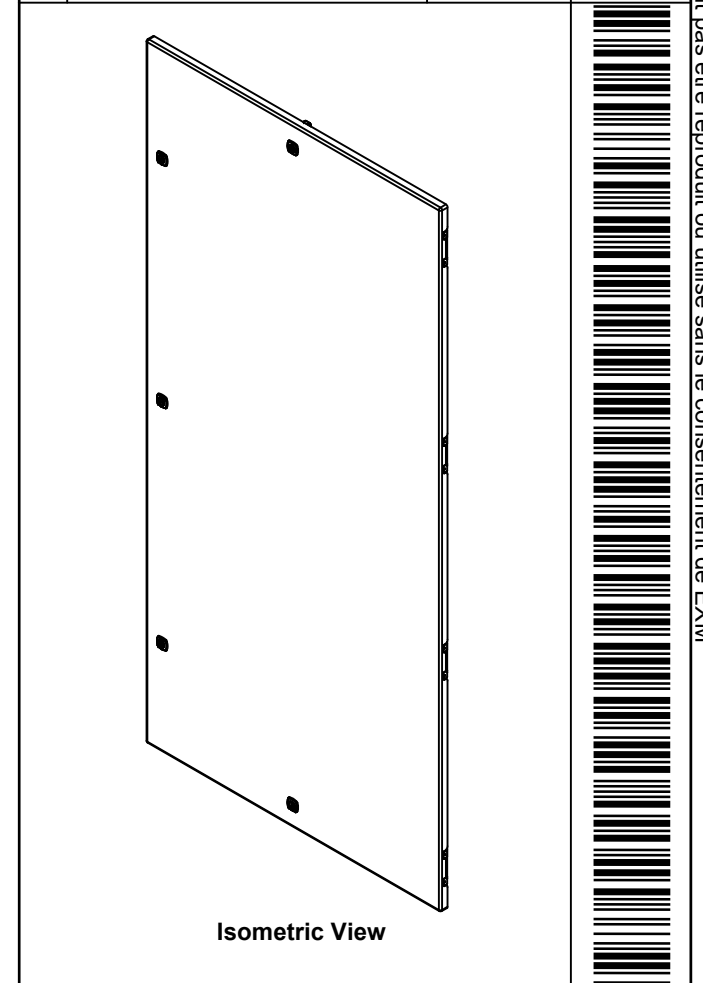
FRONT


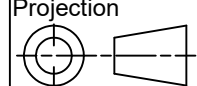
	Description	Status
	5412SSDD 72" x 72" Master Door	(NULL)
	Part Number Numéro Pièce	Rev.
	5412SSDD7272126FD	0
		2
		3

This drawing is confidential and must not be reproduced or used without the consent of EXM

Ce dessin est confidentiel et ne doit pas être reproduit ou utilisé sans le consentement de EXM

No.	Revisions	Date	By/Par



 Tél: (450) 979-4373 Fax: (450) 979-4626 www.exmweb.com		Flatness Aplatissement Max 3.0mm Projection 	
Customer Client		Date	
Drawn By Dessiné Par BoxCad: BoxCad		Date 22-Oct-19	
Material Matière 12 Ga Stainless Steel 316 (2.5mm)			
Color Couleur Unpainted		Finish Fini Brushed	
Description 5412SSDD 72" x 72" Master Door			Detail Rev.
Part Number Numéro Pièce 5412SSDD7272126FD		Rev. 0	3

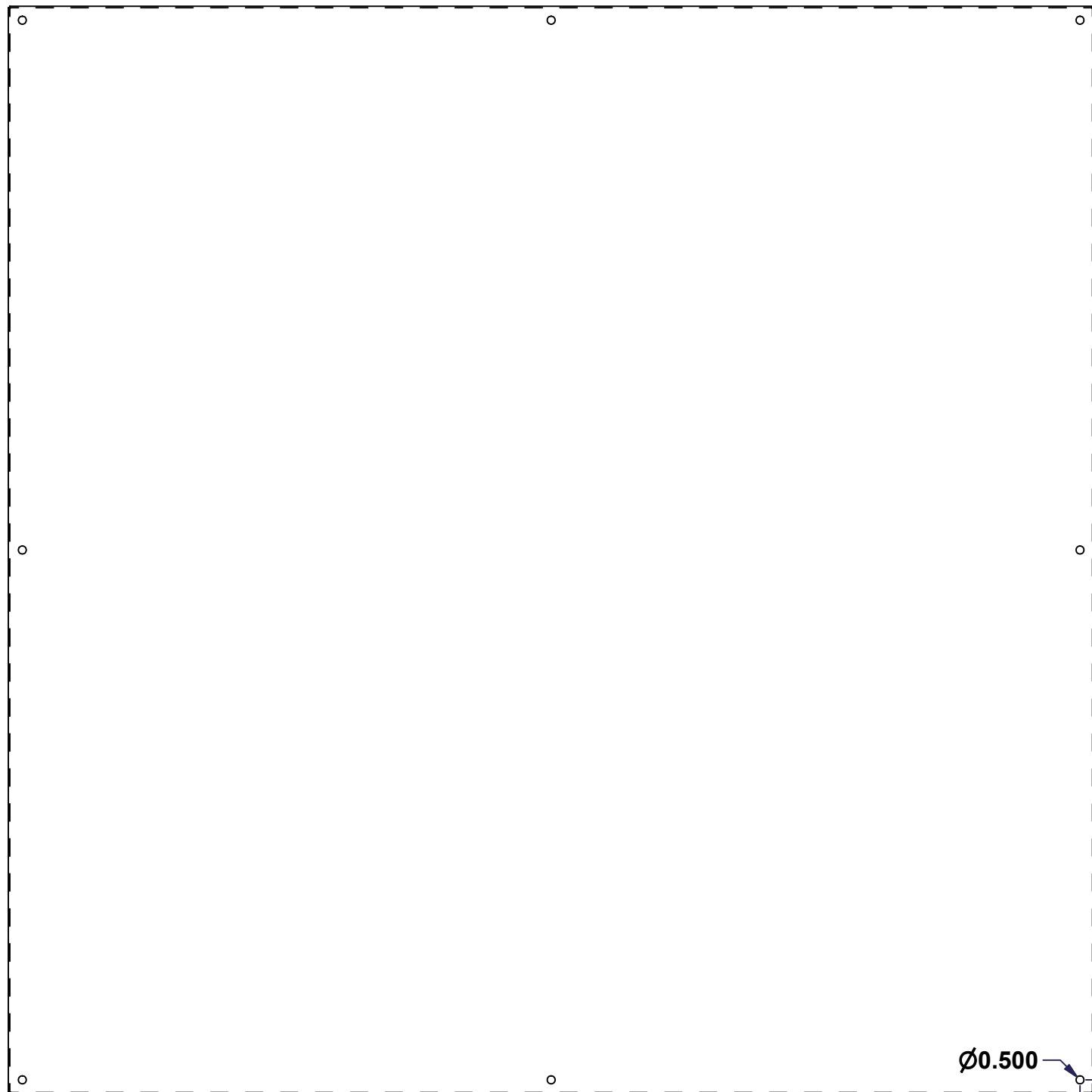
Qty	Part Name	Rev	Description
1	5412SSDD7272126DG	0	5412SSDD 72" x 72" Door Gasket
1	5412SSDD7272126DS1	0	5412SSDD 72" x 72" Door Stiffener
12	STK-Q-16070	1	Stud M6 x 18mm Stainless Steel
1	5412SSDD7272126FD-P	0	5412SSDD 72" x 72" Master Door Part
4	STK-K-09870	7	Cabinet Hinge with Captive Pins
5	889 SCQ4-SLSS6	0	9412 SS 1/4 Turn Lock
Parts List			

This drawing is confidential and must not be reproduced or used without the consent of EXM

Ce dessin est confidentiel et ne doit pas être reproduit ou utilisé sans le consentement de EXM



TOP



FRONT

0.875

68.000

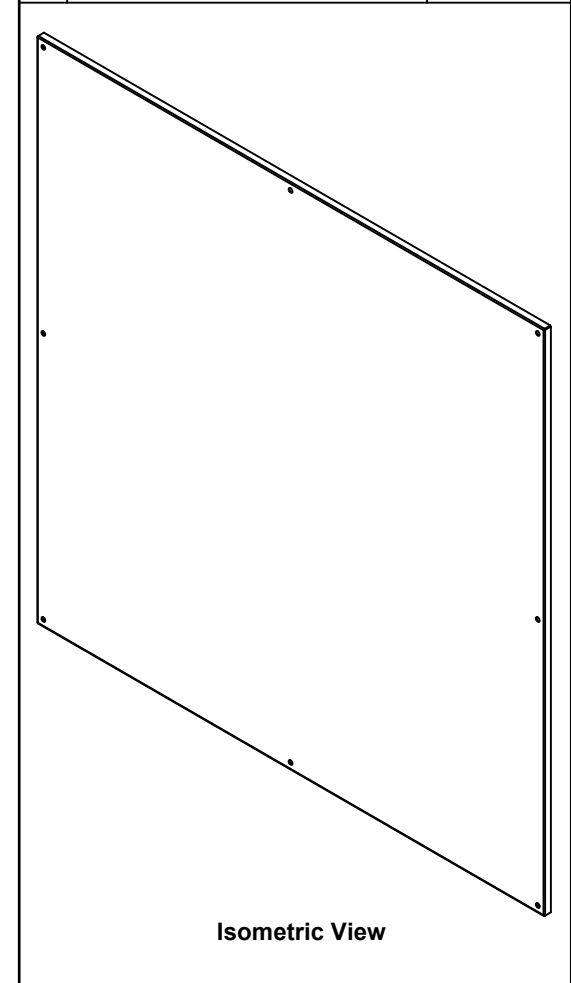
RIGHT

0.000

Ø0.500
0.875
0.875


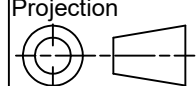
SEE BILL OF MATERIAL ON LAST PAGE

No.	Revisions	Date	By/Par



Isometric View

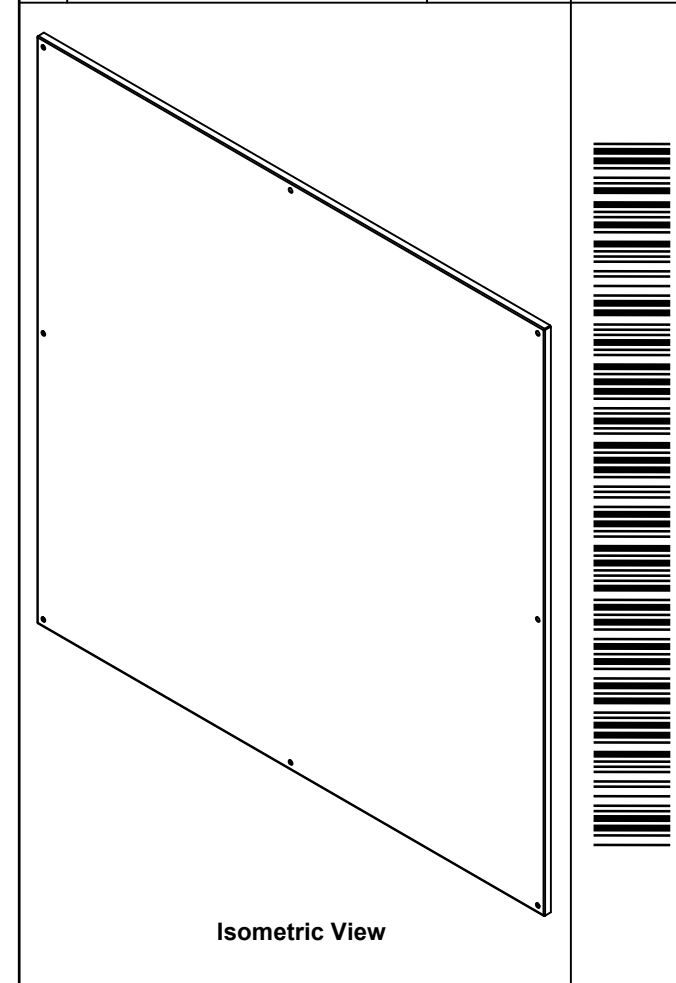



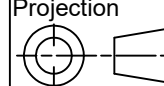
 Tél: (450) 979-4373 Fax: (450) 979-4626 www.exmweb.com		Flatness Aplatissement Max 3.0mm Projection 
Customer Client	Date	
Drawn By Dessiné Par	BoxCad	Date 04/11/2009
Material Matière	12 Ga Galvanized (2.5mm)	
Color Couleur	Unpainted	Finish Fini Unpainted
Description	Detail Rev.	
885 SP7272G Inner Panel		
Part Number Numéro Pièce	Rev. 0	1 2
885SP7272G		

This drawing is confidential and must not be reproduced or used without the consent of EXM

Ce dessin est confidentiel et ne doit pas être reproduit ou utilisé sans le consentement de EXM

No.	Revisions	Date	By/Par



 Tél: (450) 979-4373 Fax: (450) 979-4626 www.exmweb.com		Flatness Aplatissement Max 3.0mm
Customer Client		Projection 
Drawn By Dessiné Par BoxCad		Date 04/11/2009
Material Matière 12 Ga Galvanized (2.5mm)		
Color Couleur Unpainted	Finish Fini Unpainted	
Description 885 SP7272G Inner Panel		Detail Rev.
Part Number Numéro Pièce 885SP7272G		Rev. 2 0

Qty	Part Number	Rev	Description
1	885SP7272G-P	0	885 SP7272G Inner Panel Part
Parts List			