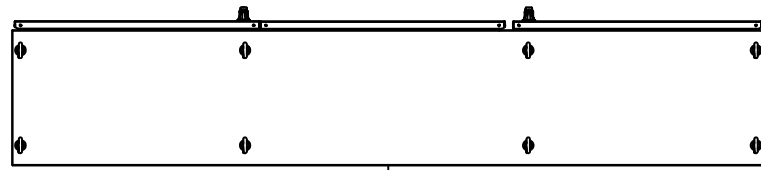
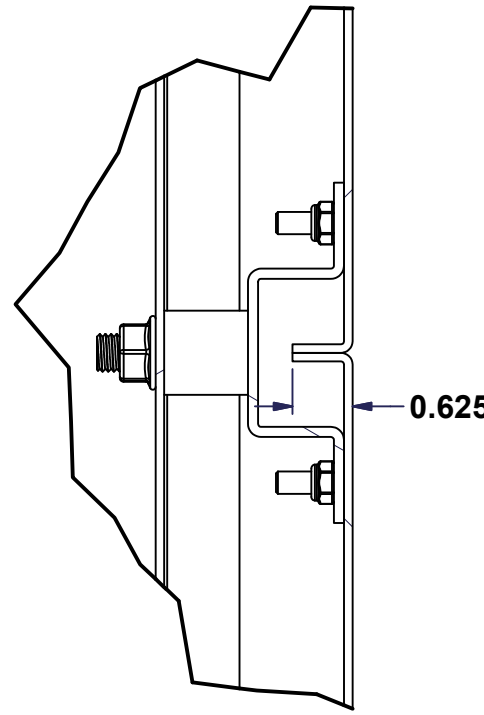


This drawing is confidential and must not be reproduced or used without the consent of EXM

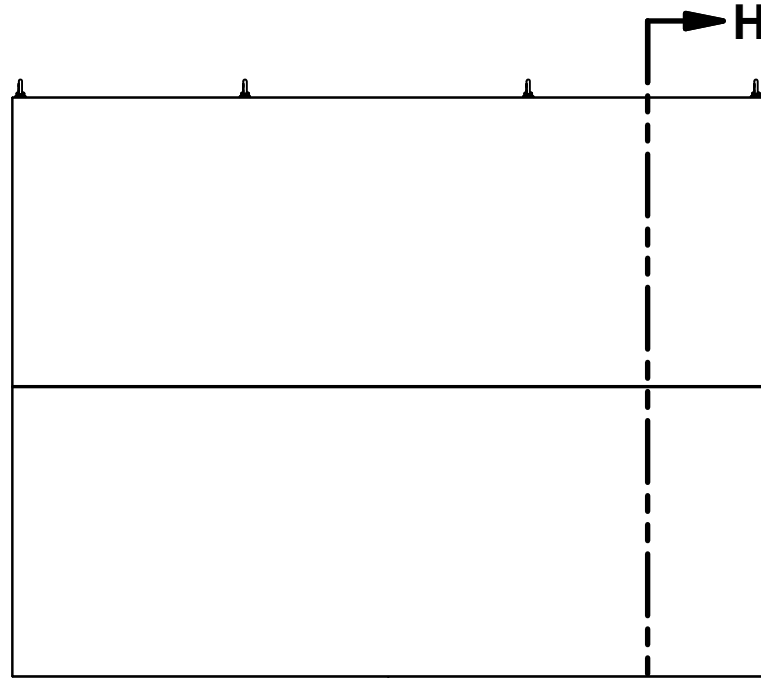
Ce dessin est confidentiel et ne doit pas être reproduit ou utilisé sans le consentement de EXM



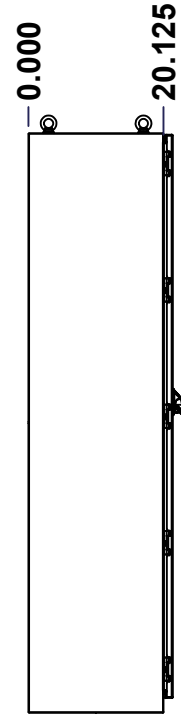
TOP



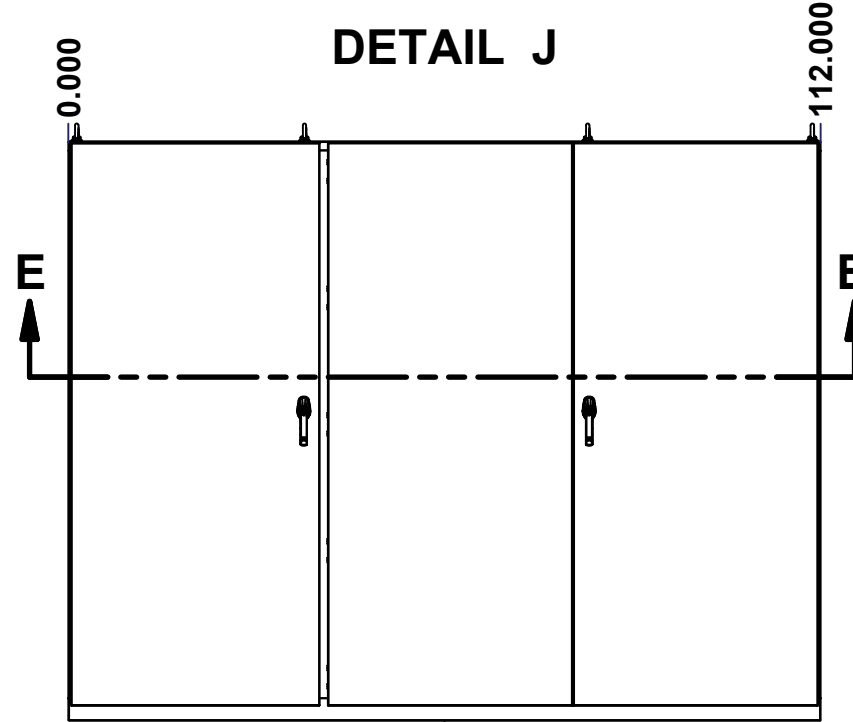
DETAIL J



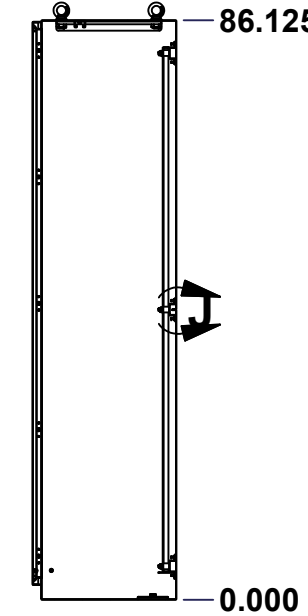
BACK



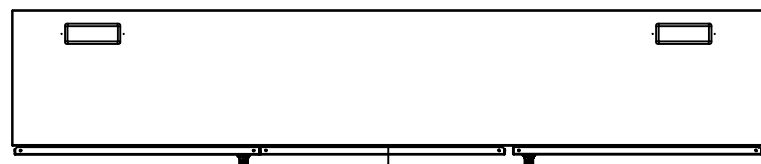
LEFT



FRONT

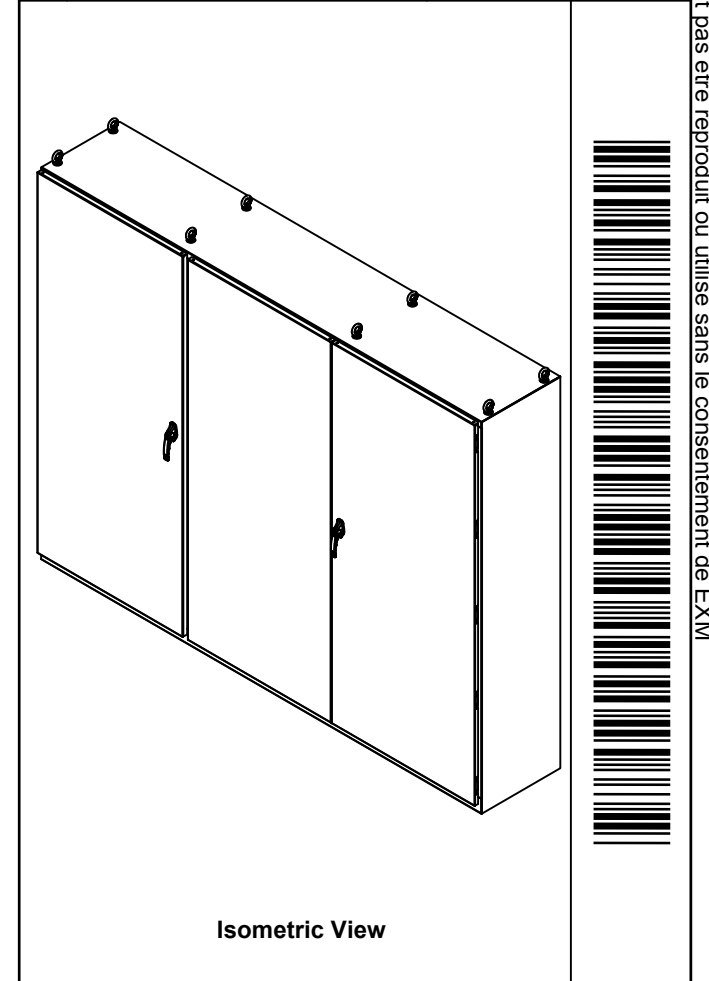


SECTION H-H




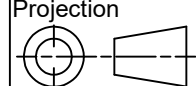
BOTTOM

No.	Revisions	Date	By/Par



Isometric View

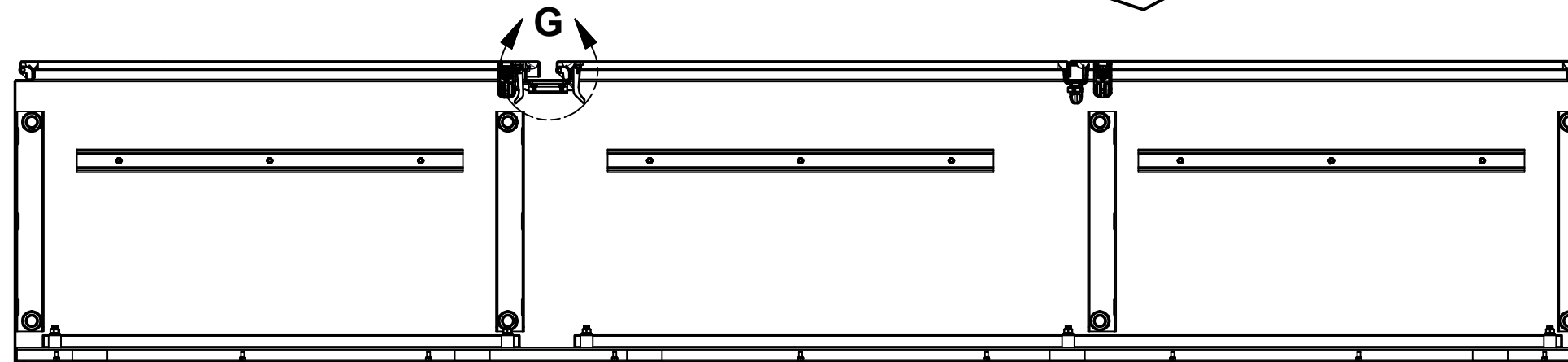
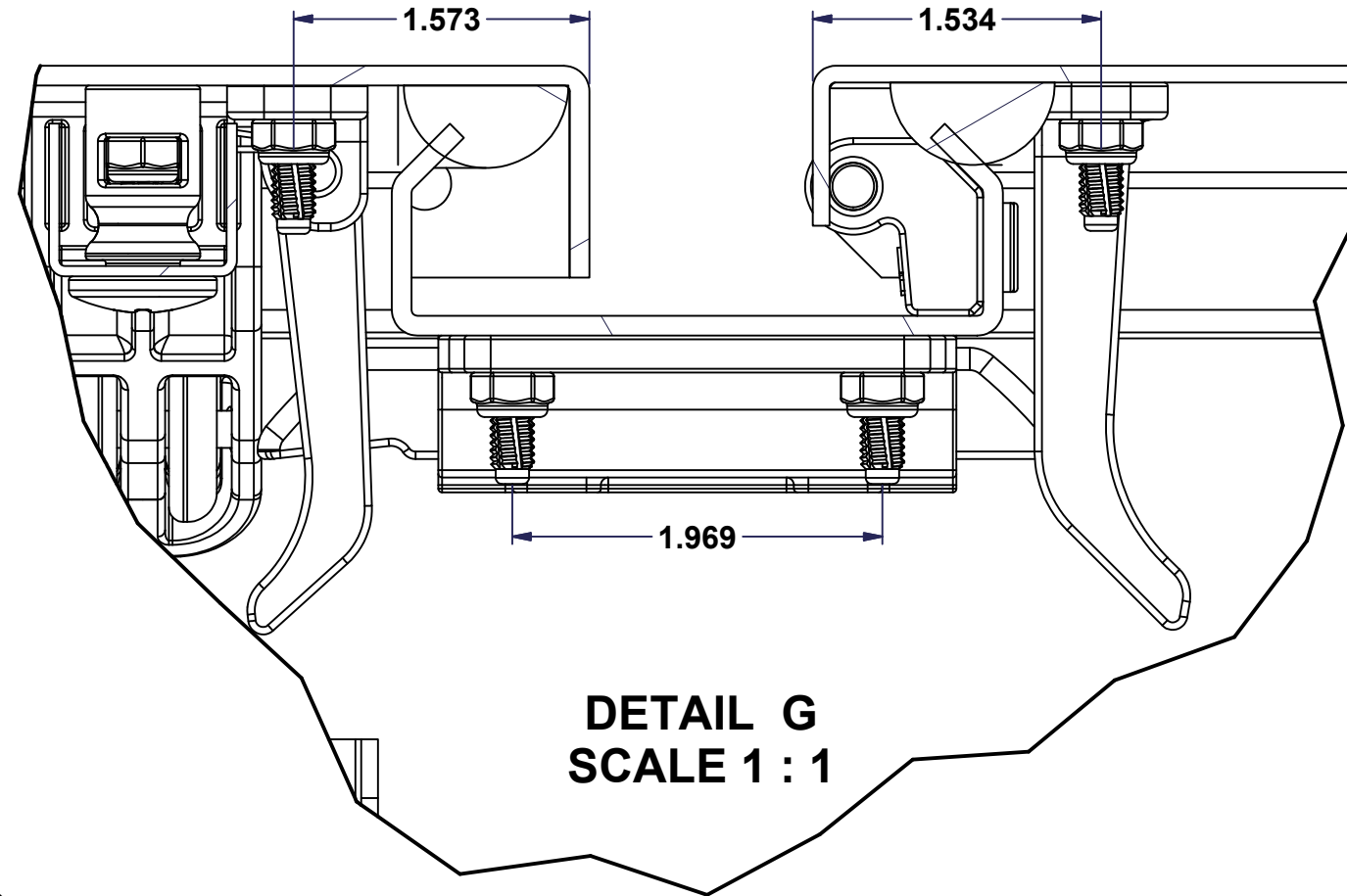


 Tél: (450) 979-4373 Fax: (450) 979-4626 www.exmweb.com		Flatness Aplatissement Max 3.0mm Projection 
Customer Client	Date	
Drawn By Dessiné Par ArthurC	Date 06-May-21	
Material Matière	12 Ga H.R.P. & O. (2.5mm)	
Color Couleur Asa-61 Grey	Finish Fini	Smooth
Description 5500MD3-20 86.125" x 112" x 20.125" Assembly	Detail Rev.	
Part Number Numéro Pièce 5500MD3-20	Rev. 0	1 / 15

This drawing is confidential and must not be reproduced or used without the consent of EXM

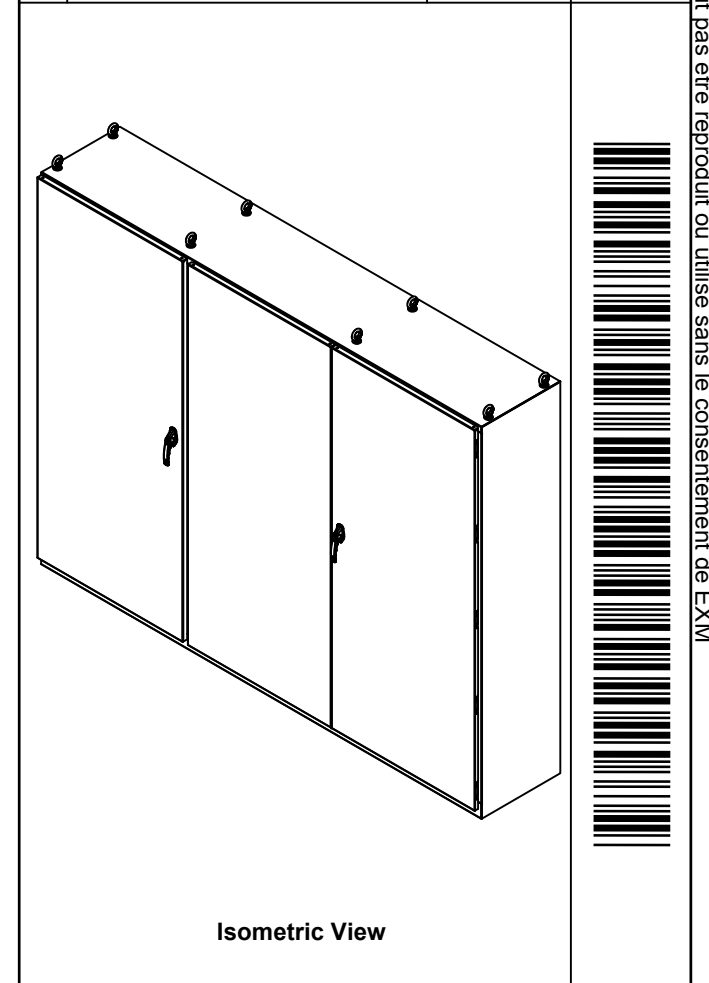
Ce dessin est confidentiel et ne doit pas être reproduit ou utilisé sans le consentement de EXM

NOTE	
ITEM	DESCRIPTION
1	NEMA 12/13 Enclosure
2	C/W Standard ground studs on box and cover
3	W/O Standard door stiffener
4	C/W Special inner panel (Sold separately)
5	C/W Standard inner panel mounting studs
6	C/W Eyebolts
7	C/W Struts sold separately (Installed by EXM)
8	C/W 885 ESL2A-APHK (Kit)



SECTION E-E

No.	Revisions	Date	By/Par


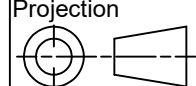


Isometric View

PACKING		
ITEM	QTY	DESCRIPTION
Cardboard sleeve	2	Top and Bottom
Cardboard strip	2	Between back of enclosure and inner panel
Plastic bag	1	To protect cover surface and inside gasket
Cardboard corner	4	To reinforced for the plastic strap tightening
Plastic strap - Black	2	To Squeeze 2 cardboard sleeve together
Packaging label	3	White label with PN
Plastic strap- Green	2	To secure the enclosure to the wood pallet
Wood Pallet	1	2" deeper and 3" larger than enclosure size

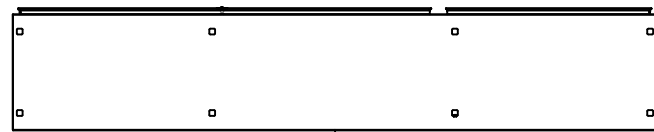
1	STK-A-880INT1	2	880 INT1 - Interlock Post Kit
1	5500MD3-20MD	0	5500MD3-20 86.125" x 112" Master Door
1	5500MD3-20FD	0	5500MD3-20 86.125" x 112" Flange Door
1	5500MD3-20GP-2	0	5500MD3-20 Gland Plate
1	5500MD3-20GP-1	0	5500MD3-20 Gland Plate
4	5500MD3-20EB_1	2	Eye Bolt M14 (Pack of 2)
14	STK-Q-07320	0	Flange Lock Nut M10
1	5500MD3-20I2	0	5500MD3-20 86.125" x 112" Inner Panel
1	5500MD3-20IP	0	5500MD3-20 86.125" x 112" Inner Panel
14	STK-Q-07620	0	M10 Plastic Spacer 0.875"
1	5500MD3-20LD	0	5500MD3-20 86.125" x 112" Left Door
1	5500MD3-20B	0	5500MD3-20 86.125" x 112" x 20.125" Body
15	STK-Q-04050-10	8	M6 x 10mm Hexagon Socket Head Machine Screw with Nyseal
Qty	Part Number	Rev.	Description

Parts List

 Tél: (450) 979-4373 Fax: (450) 979-4626 www.exmweb.com		Flatness Aplatissement
		Max 3.0mm
Customer Client		Projection 
Drawn By Dessiné Par ArthurC		Date 06-May-21
Material Matière 12 Ga H.R.P. & O. (2.5mm)		
Color Couleur Asa-61 Grey	Finish Fini Smooth	
Description 5500MD3-20 86.125" x 112" x 20.125" Assembly		Detail Rev.
Part Number Numéro Pièce 5500MD3-20		Rev. 0

This drawing is confidential and must not be reproduced or used without the consent of EXM

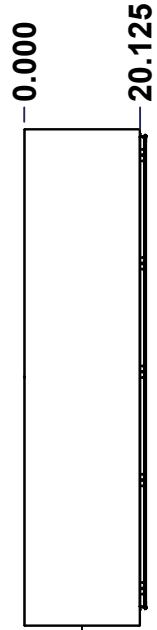
Ce dessin est confidentiel et ne doit pas être reproduit ou utilisé sans le consentement de EXM



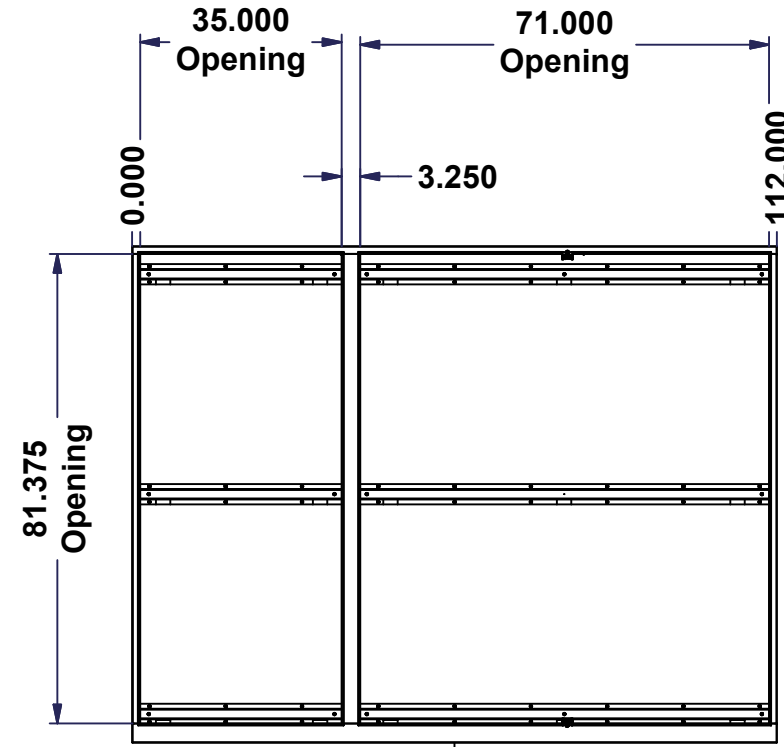
TOP



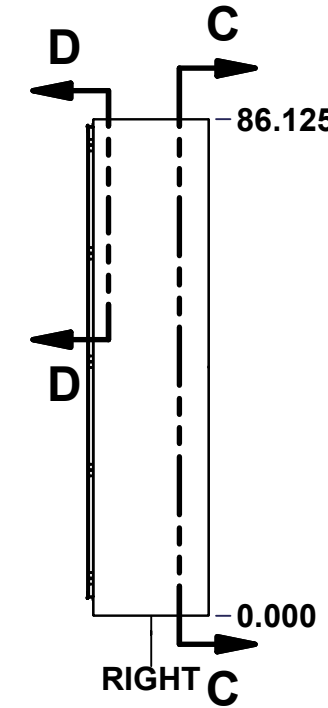
BACK



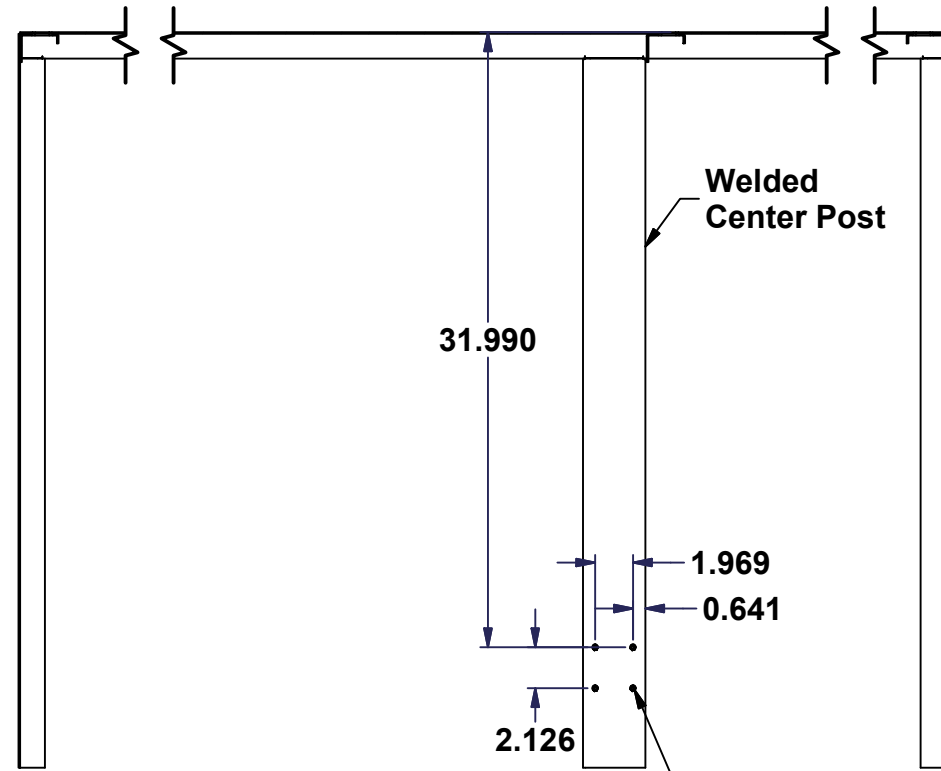
LEFT



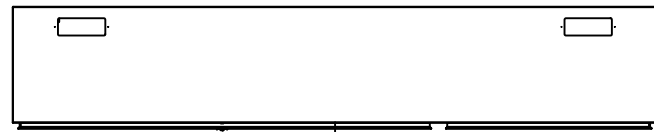
FRONT



RIGHT

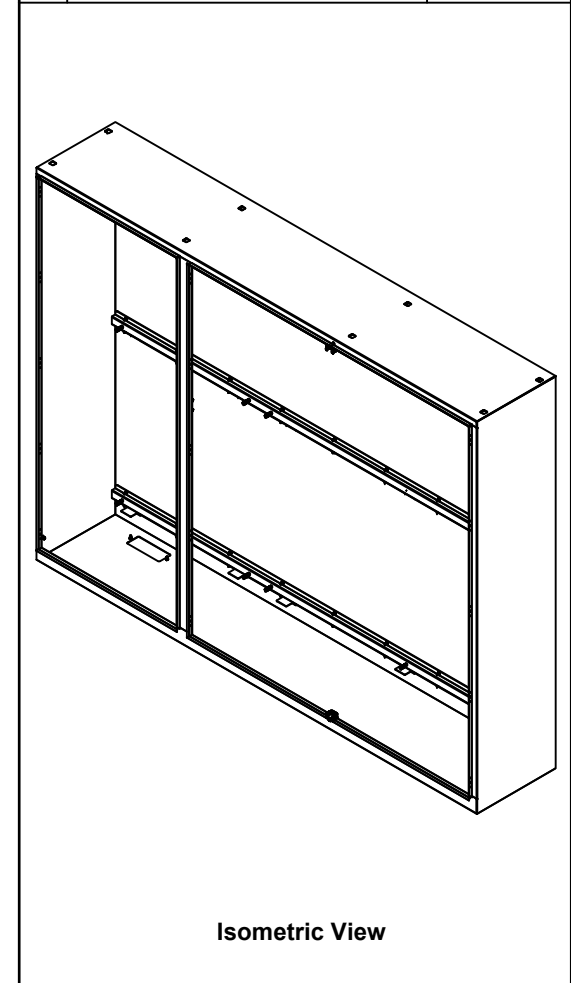


SECTION D-D



BOTTOM

No.	Revisions	Date	By/Par



Isometric View

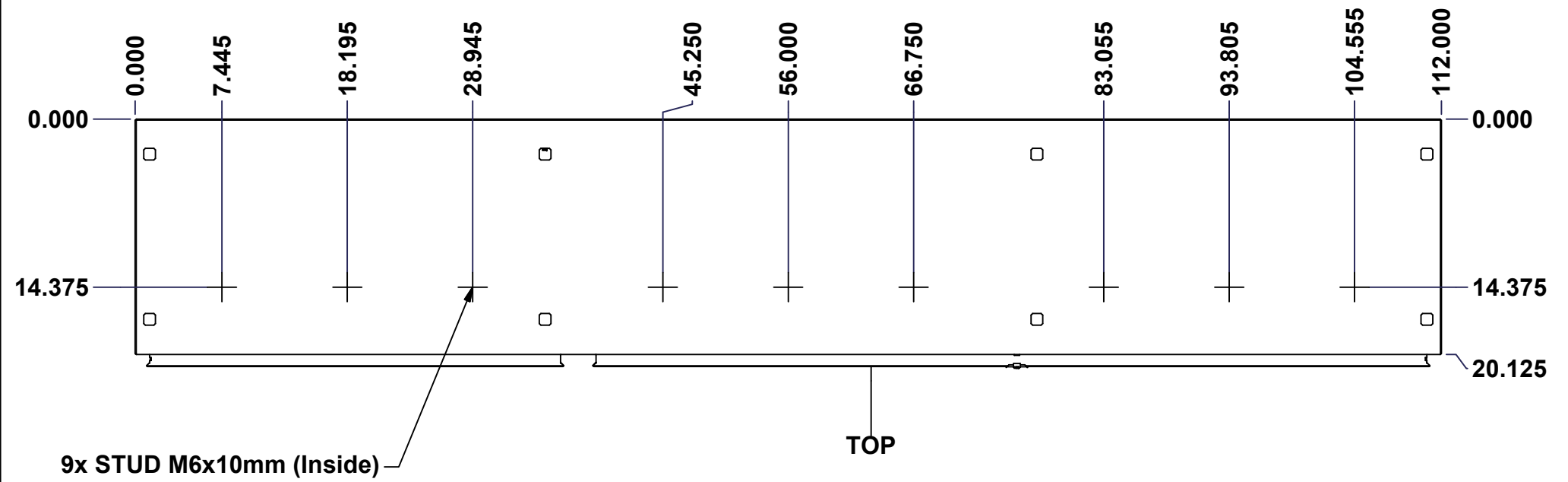


Tél: (450) 979-4373 Fax: (450) 979-4626 www.exmweb.com		Flatness Aplatissement Max 3.0mm Projection
Customer Client	Date	
Drawn By Dessiné Par ArthurC	Date 06-May-21	
Material Matière	12 Ga H.R.P. & O. (2.5mm)	
Color Couleur Asa-61 Grey	Finish Fini	Smooth
Description 5500MD3-20 86.125" x 112" x 20.125" Body		Detail Rev.
Part Number Numéro Pièce	Rev.	3
5500MD3-20B		0

This drawing is confidential and must not be reproduced or used without the consent of Eurobox

STANDARD FEATURES ARE NOT LISTED IN THIS HOLE TABLE

Ce dessin est confidentiel et ne doit pas être reproduit ou utilisé sans le consentement de Eurobox

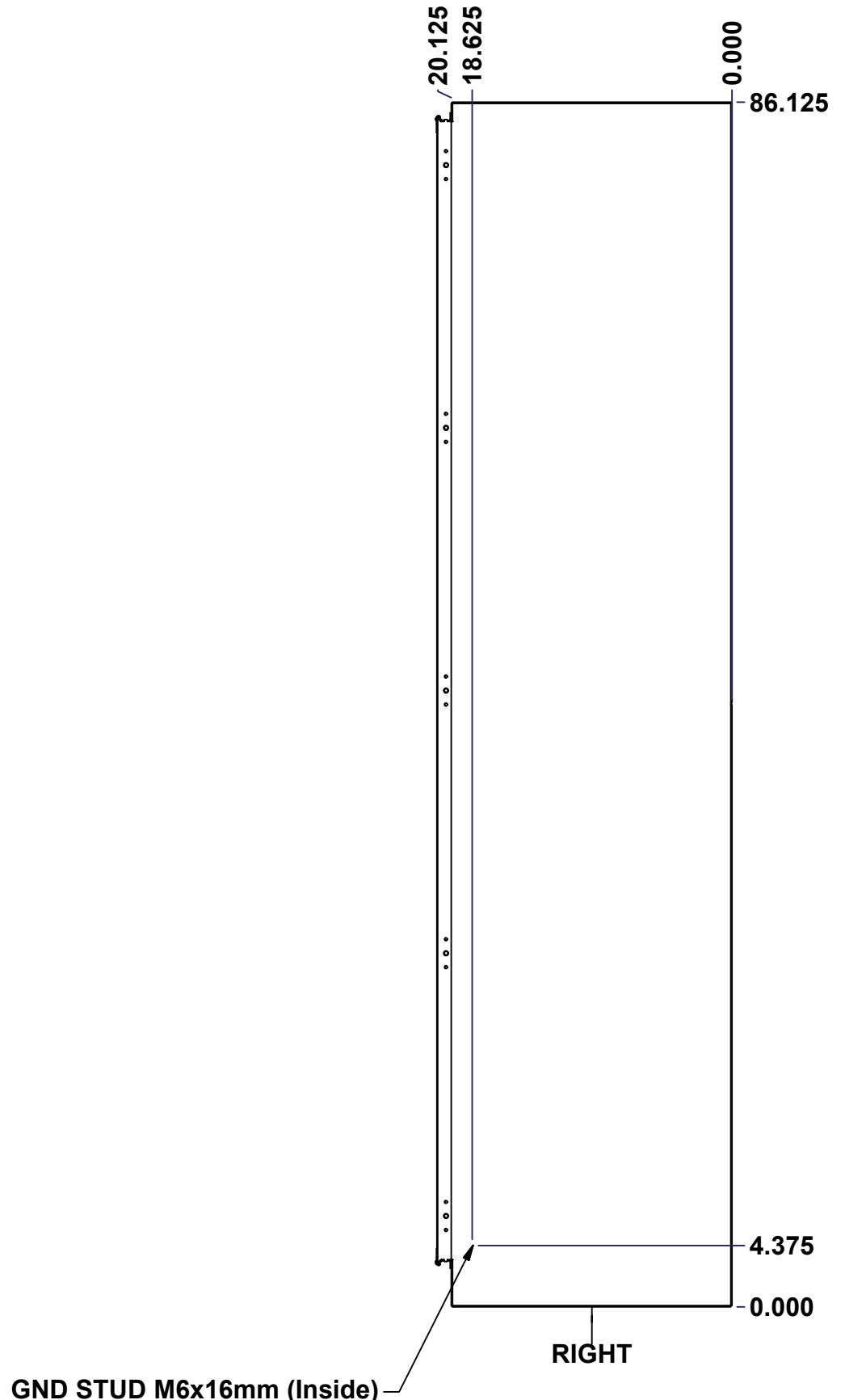


	Description		Status
	5500MD3-20 86.125" x 112" x 20.125" Body		(NULL)
	Part Number Numéro Pièce		Rev.
	5500MD3-20B		0 / 4
			15

This drawing is confidential and must not be reproduced or used without the consent of Eurobox

Ce dessin est confidentiel et ne doit pas être reproduit ou utilisé sans le consentement de Eurobox

STANDARD FEATURES ARE NOT LISTED IN THIS HOLE TABLE

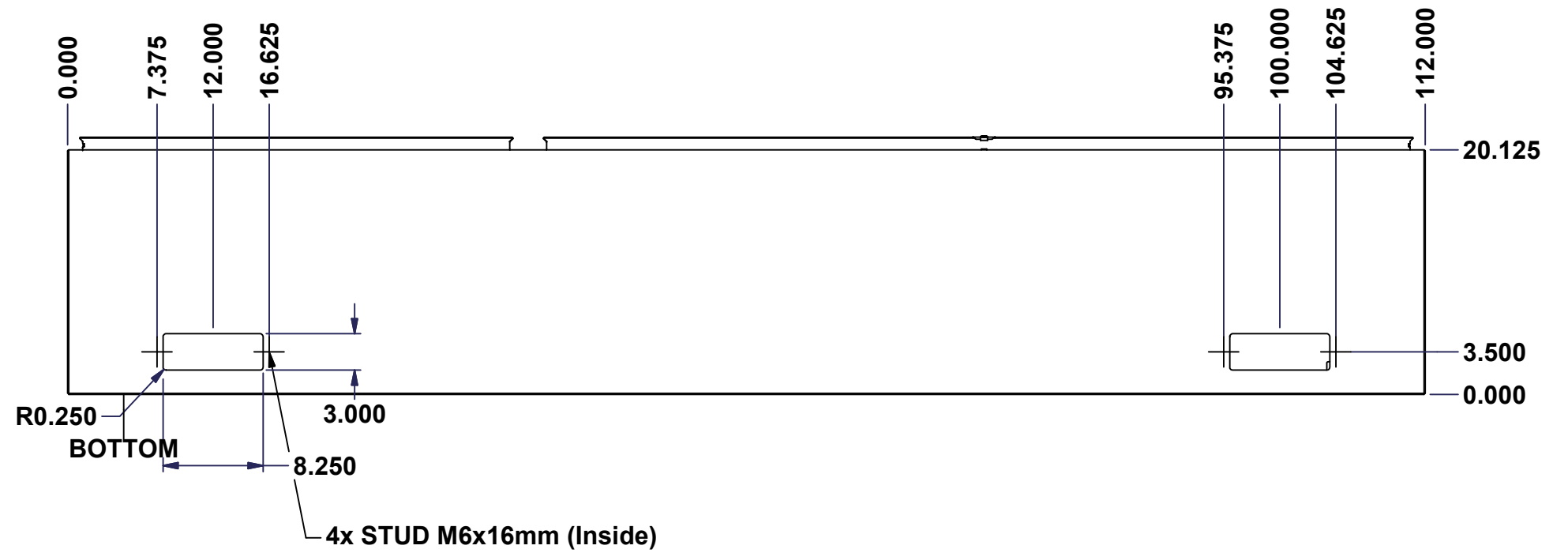


	Description		Status
	5500MD3-20 86.125" x 112" x 20.125" Body		(NULL)
	Part Number Numéro Pièce		Rev.
	5500MD3-20B		0
		5	15

This drawing is confidential and must not be reproduced or used without the consent of Eurobox

STANDARD FEATURES ARE NOT LISTED IN THIS HOLE TABLE

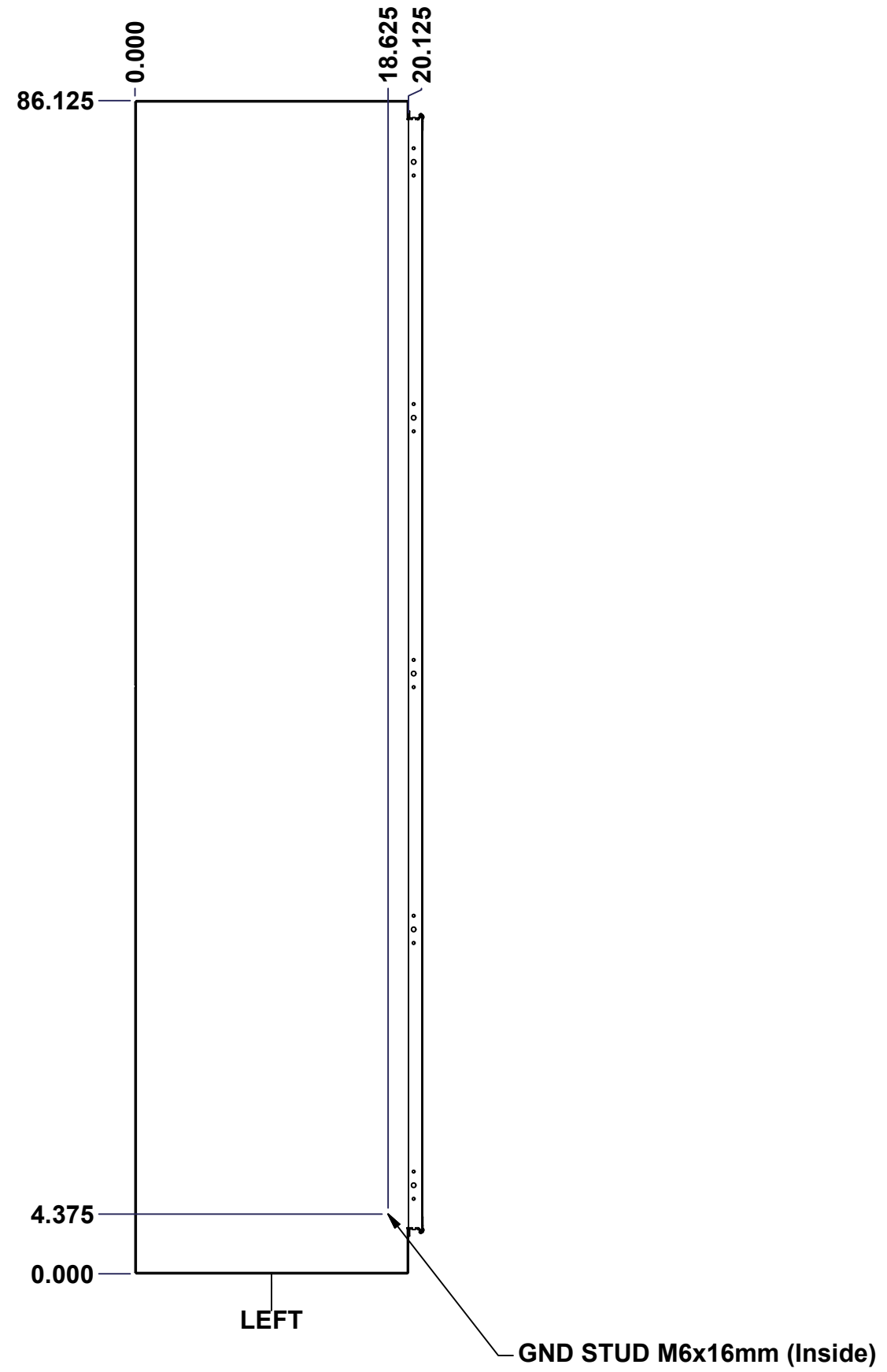
Ce dessin est confidentiel et ne doit pas être reproduit ou utilisé sans le consentement de Eurobox



	Description		Status
	5500MD3-20 86.125" x 112" x 20.125" Body		(NULL)
Part Number		Rev.	6
Numéro Pièce		0	15
5500MD3-20B			

This drawing is confidential and must not be reproduced or used without the consent of Eurobox

STANDARD FEATURES ARE NOT LISTED IN THIS HOLE TABLE



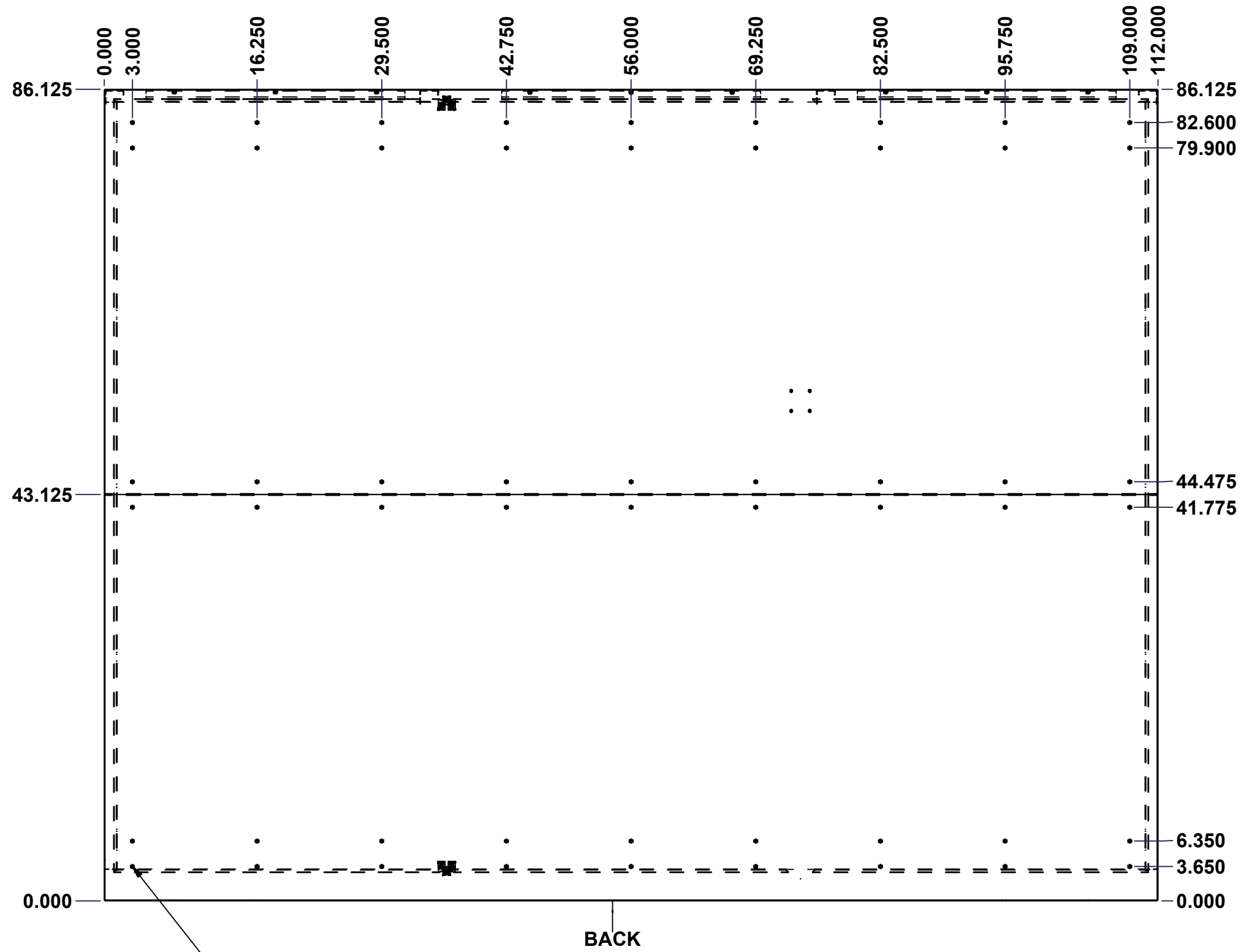
Ce dessin est confidentiel et ne doit pas être reproduit ou utilisé sans le consentement de Eurobox

	Description		Status
	5500MD3-20 86.125" x 112" x 20.125" Body		(NULL)
Part Number Numéro Pièce		Rev.	7
5500MD3-20B		0	15

This drawing is confidential and must not be reproduced or used without the consent of Eurobox

Ce dessin est confidentiel et ne doit pas être reproduit ou utilisé sans le consentement de Eurobox

STANDARD FEATURES ARE NOT LISTED IN THIS HOLE TABLE



54x STUD M6x18mm (Inside)

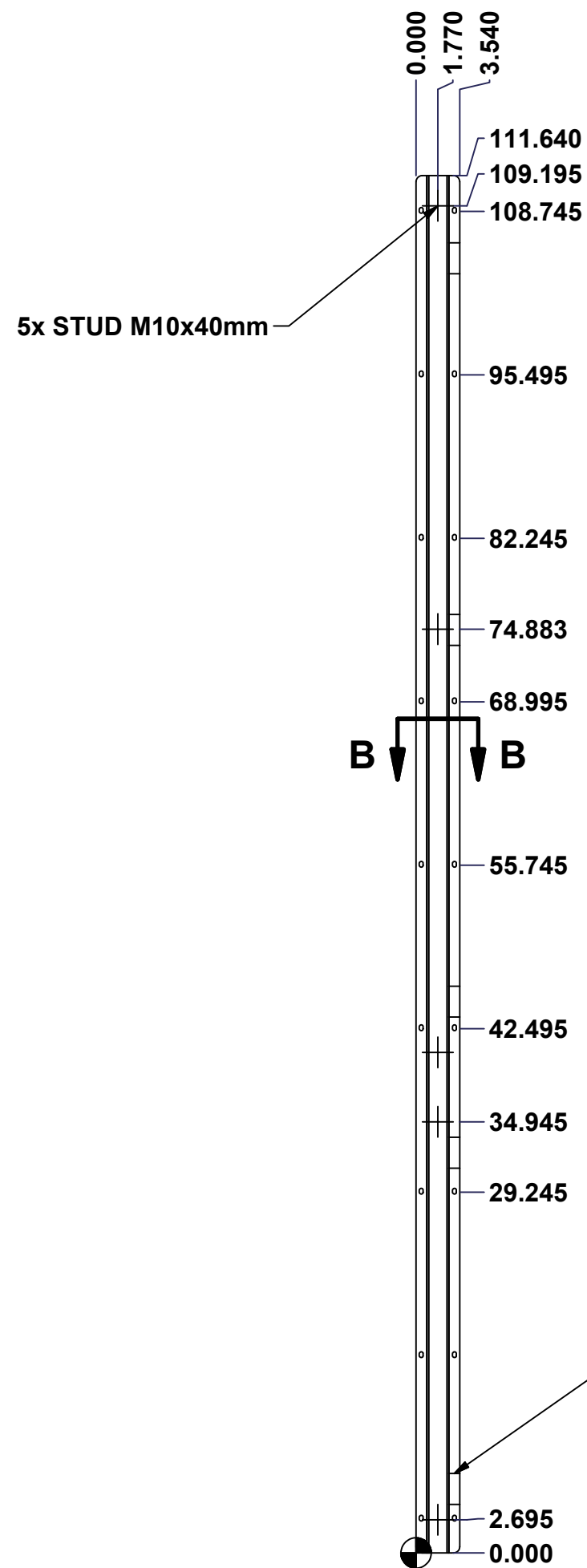
BACK

	Description		Status	
	5500MD3-20 86.125" x 112" x 20.125" Body		(NULL)	
Part Number		Rev.	8	
Numéro Pièce		0	15	
5500MD3-20B				

This drawing is confidential and must not be reproduced or used without the consent of Eurobox

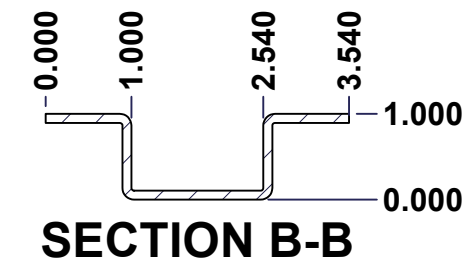
Ce dessin est confidentiel et ne doit pas être reproduit ou utilisé sans le consentement de Eurobox

STANDARD FEATURES ARE NOT LISTED IN THIS HOLE TABLE



**Note: Not all the Post welded 5 Studs
Only the bottom Post welded IP Support**

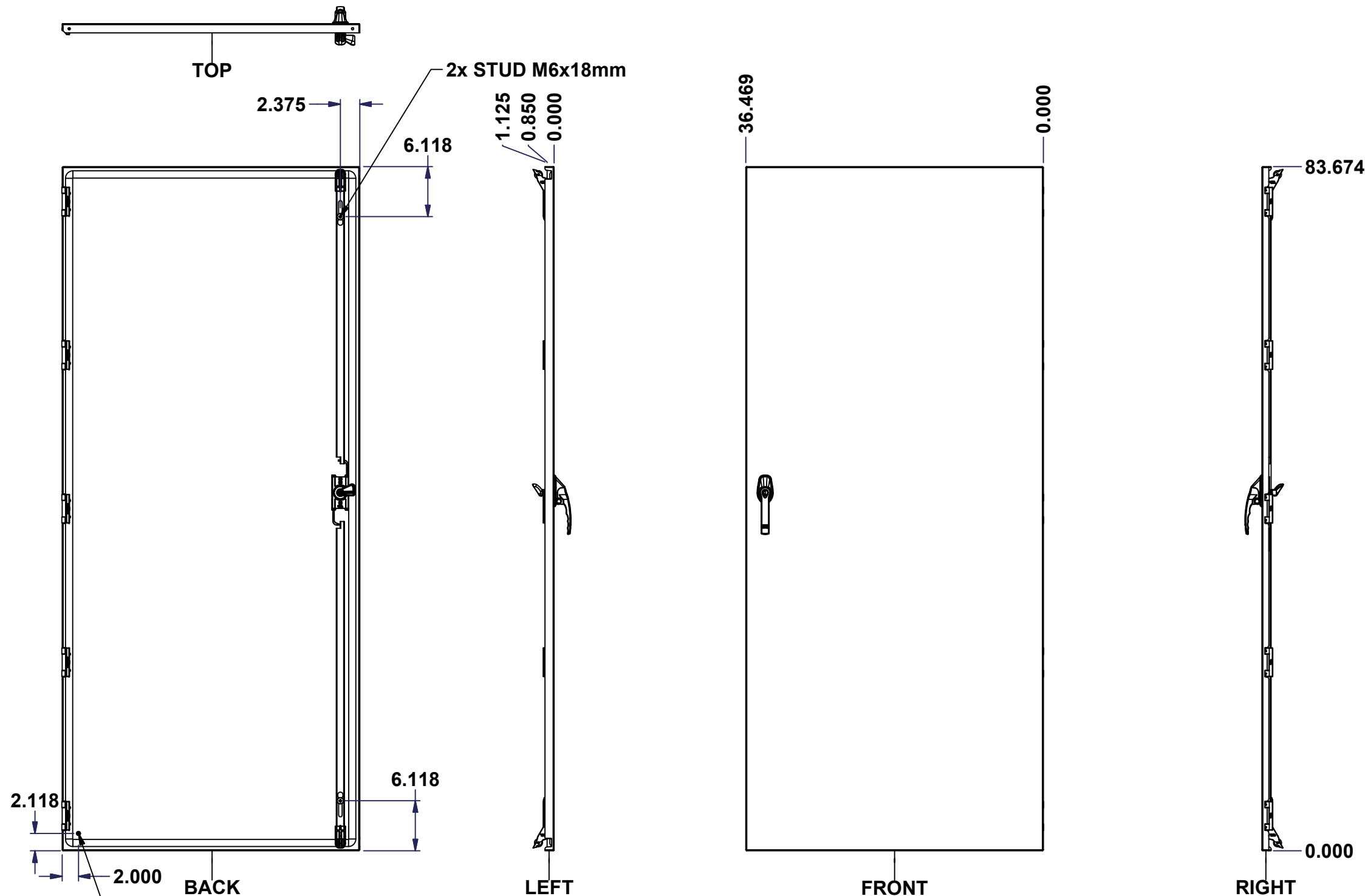
**See details for Studs and
IP Support positions next page**



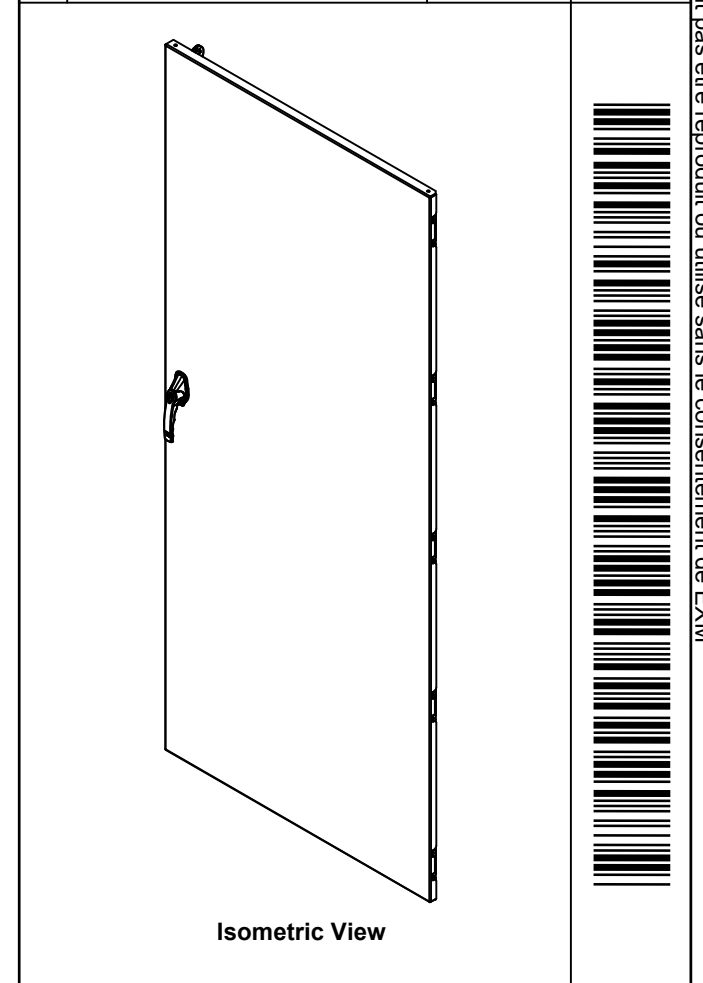
	Description	Status	
	5500MD3-20 86.125" x 112" x 20.125" Body	(NULL)	
	Part Number Numéro Pièce	Rev.	9
	5500MD3-20B	0	15

This drawing is confidential and must not be reproduced or used without the consent of EXM

Ce dessin est confidentiel et ne doit pas être reproduit ou utilisé sans le consentement de EXM



No.	Revisions	Date	By/Par



EXM
 Tél: (450) 979-4373
 Fax: (450) 979-4626
www.exmweb.com

Flatness
 Aplatissement
 Max 3.0mm
 Projection

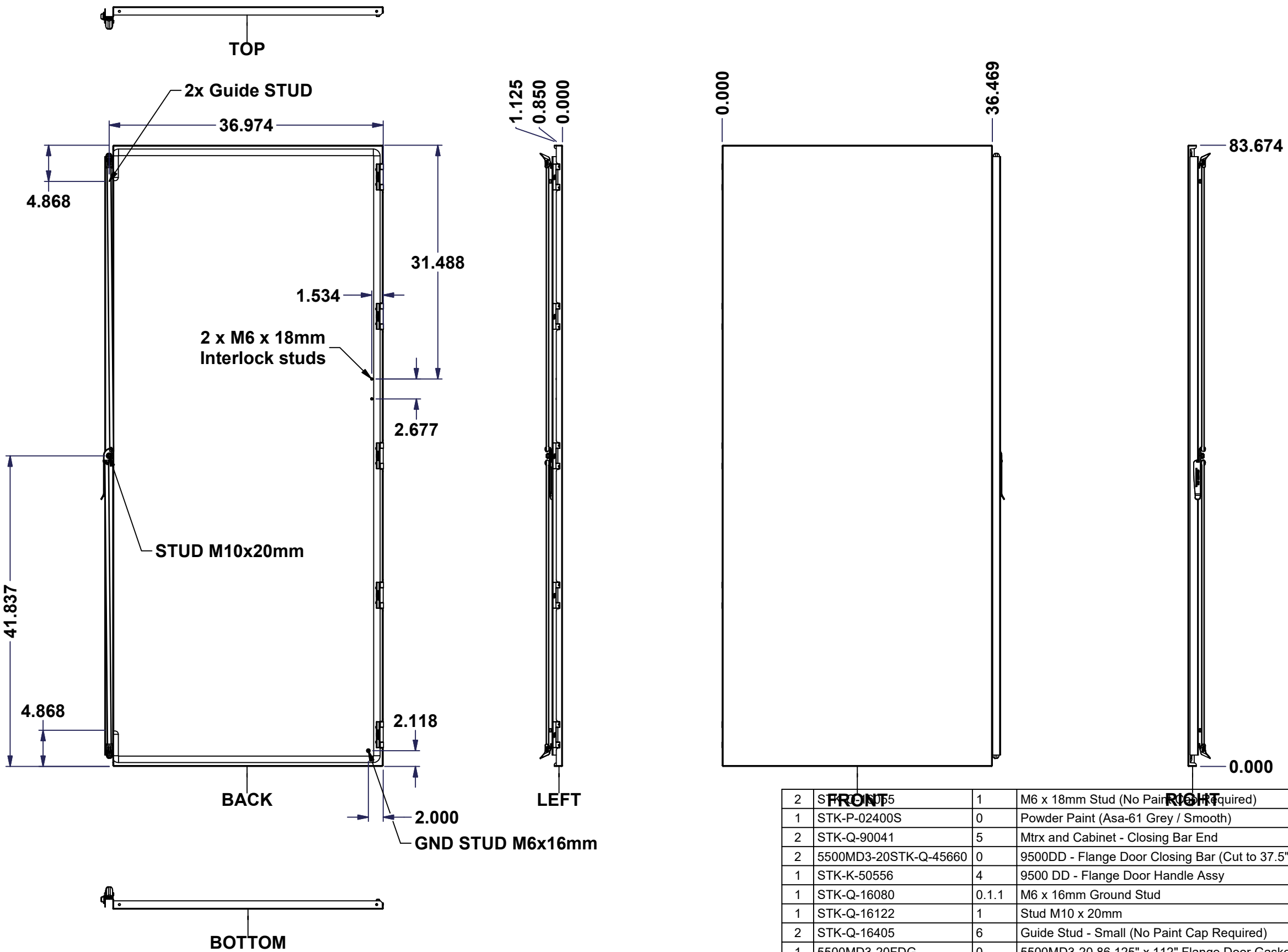
Qty	Part Number	Rev.	Description
1	STK-P-02400S	0	Powder Paint (Asa-61 Grey / Smooth)
1	5500MD3-20CB_D	0	Down Closing Bar
1	5500MD3-20CB_U	0	Upper Closing Bar
1	STK-K-03980-36	12	Gearbox Counter Clockwise Assembly (Grip 36mm)
1	STK-Q-16080	0.1.1	M6 x 16mm Ground Stud
2	STK-Q-16055	1	M6 x 18mm Stud (No Paint Cap Required)
1	885ESL2A-APHK	6	885 ESL2A-APHK - Zinc Die Cast L-Handle Padlockable Assy
1	5500MD3-20MDG	0	5500MD3-20 86.125" x 112" Master Door Gasket
1	5500MD3-20MD-P	0	5500MD3-20 86.125" x 112" Master Door Part
5	STK-K-09860	7	Cabinet Hinge with Captive Pins

Parts List

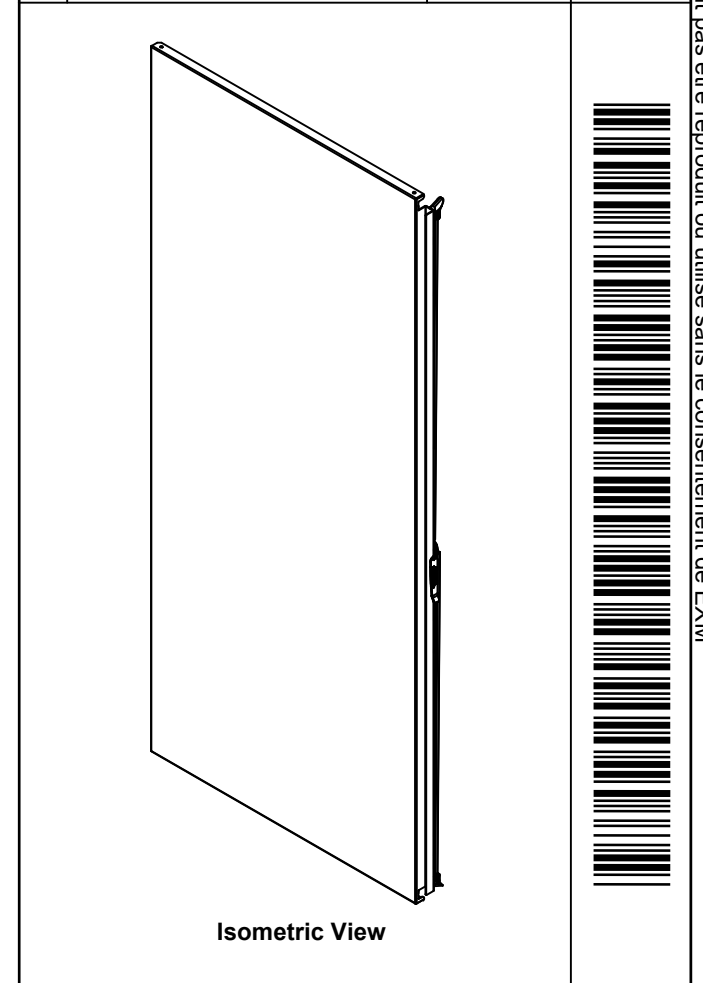
Customer Client	Date
Drawn By Dessiné Par ArthurC	Date 08-May-21
Material Matière 12 Ga H.R.P. & O. (2.5mm)	
Color Couleur Asa-61 Grey	Finish Fini Smooth
Description 5500MD3-20 86.125" x 112" Master Door	Detail Rev.
Part Number Numéro Pièce 5500MD3-20MD	Rev. 0
	12 / 15

This drawing is confidential and must not be reproduced or used without the consent of EXM

Ce dessin est confidentiel et ne doit pas être reproduit ou utilisé sans le consentement de EXM



No.	Revisions	Date	By/Par



EXM
www.exm.com

Tél: (450) 979-4373
Fax: (450) 979-4626
www.exmweb.com

Flatness
Aplatissement
Max 3.0mm

Projection

Customer Client
Date

Drawn By ArthurC
Dessiné Par
Date 08-May-21

Material Matière
12 Ga H.R.P. & O. (2.5mm)

Color Couleur
Asa-61 Grey
Finish Fini
Smooth

Description
5500MD3-20 86.125" x 112" Flange Door

Detail Rev.

Part Number
Numéro Pièce
5500MD3-20FD

Rev. 13
0 15

Qty	Part Number	Rev.	Description
2	FRONT	1	M6 x 18mm Stud (No Paint Cap Required)
1	STK-P-02400S	0	Powder Paint (Asa-61 Grey / Smooth)
2	STK-Q-90041	5	Mtrx and Cabinet - Closing Bar End
2	5500MD3-20STK-Q-45660	0	9500DD - Flange Door Closing Bar (Cut to 37.5")
1	STK-K-50556	4	9500 DD - Flange Door Handle Assy
1	STK-Q-16080	0.1.1	M6 x 16mm Ground Stud
1	STK-Q-16122	1	Stud M10 x 20mm
2	STK-Q-16405	6	Guide Stud - Small (No Paint Cap Required)
1	5500MD3-20FDG	0	5500MD3-20 86.125" x 112" Flange Door Gasket
1	5500MD3-20FD-P	0	5500MD3-20 86.125" x 112" Flange Door Part
5	STK-K-09860	7	Cabinet Hinge with Captive Pins

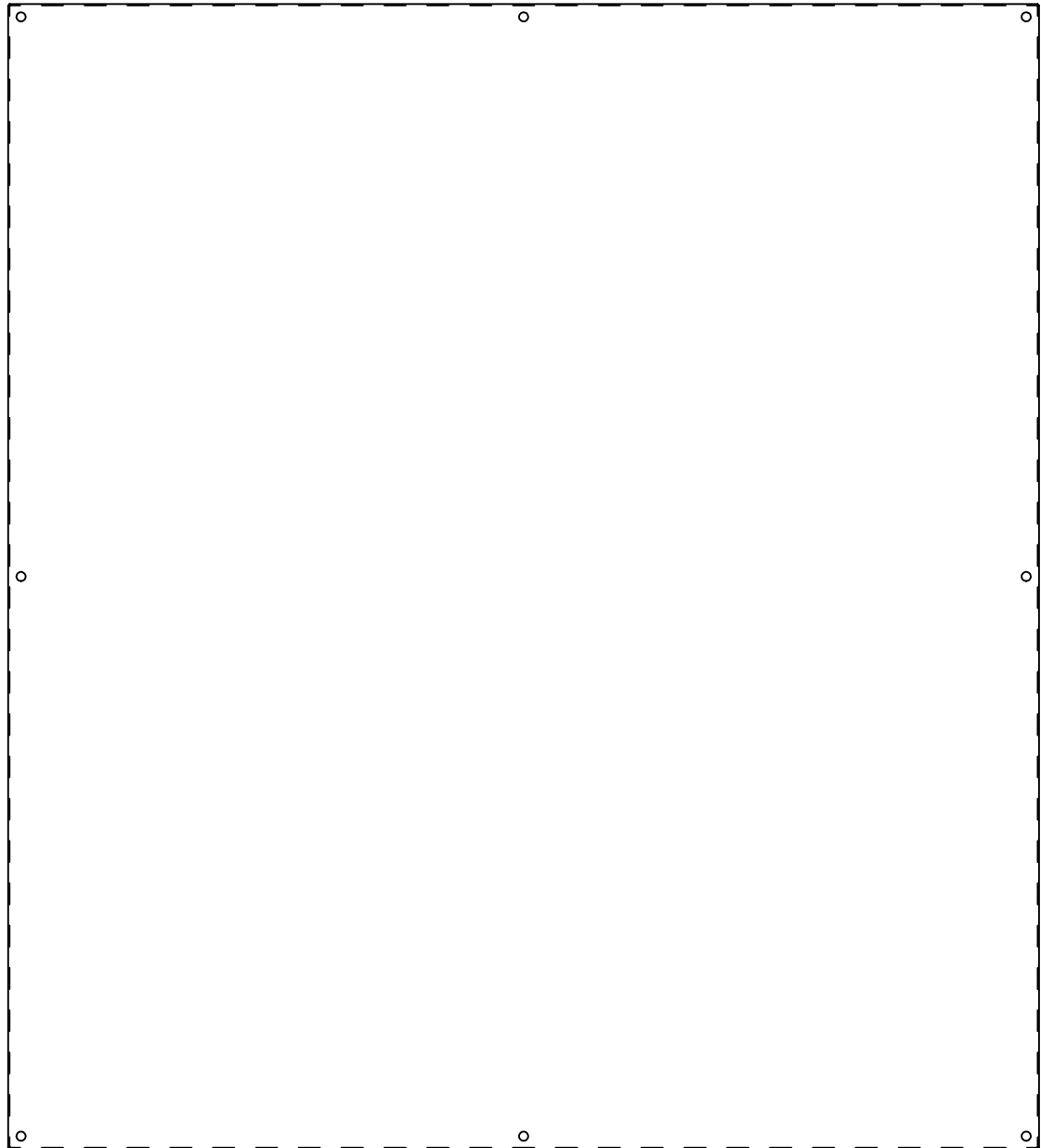
Parts List

This drawing is confidential and must not be reproduced or used without the consent of EXM

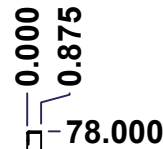
Ce dessin est confidentiel et ne doit pas être reproduit ou utilisé sans le consentement de EXM



TOP

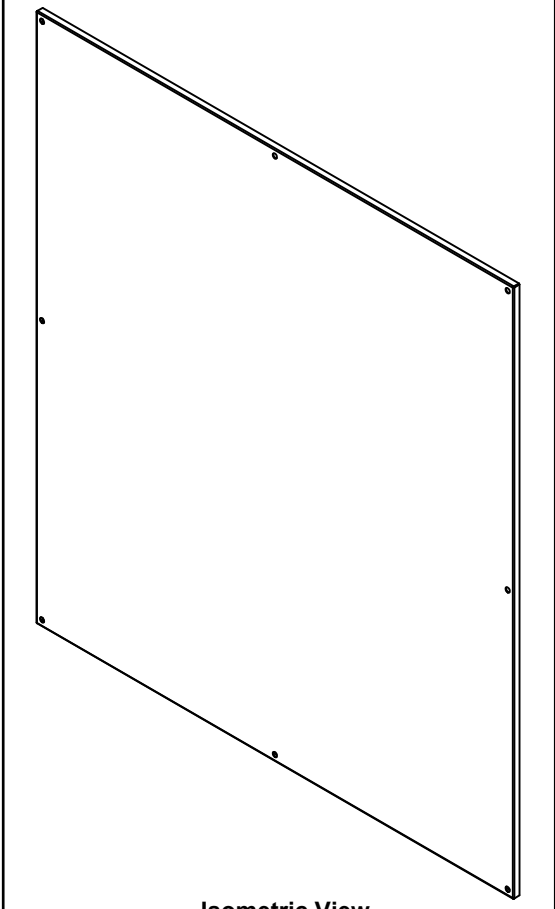


FRONT





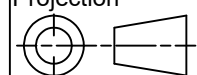
RIGHT

No.	Revisions	Date	By/Par



Isometric View



 Tél: (450) 979-4373 Fax: (450) 979-4626 www.exmweb.com		Flatness Aplatissement  Max 3.0mm Projection 
Customer Client	Date	
Drawn By Dessiné Par ArthurC	Date 06-May-21	
Material Matière	12 Ga Galvanized (2.5mm)	
Color Couleur Unpainted	Finish Fini Unpainted	
Description 5500MD3-20 86.125" x 112" Inner Panel		Detail Rev.
Part Number Numéro Pièce	Rev. 0	14 15

Qty	Part Number	Rev.	Description
1	5500MD3-20IP-P	0	5500MD3-20 86.125" x 112" Inner Panel Part
Parts List			

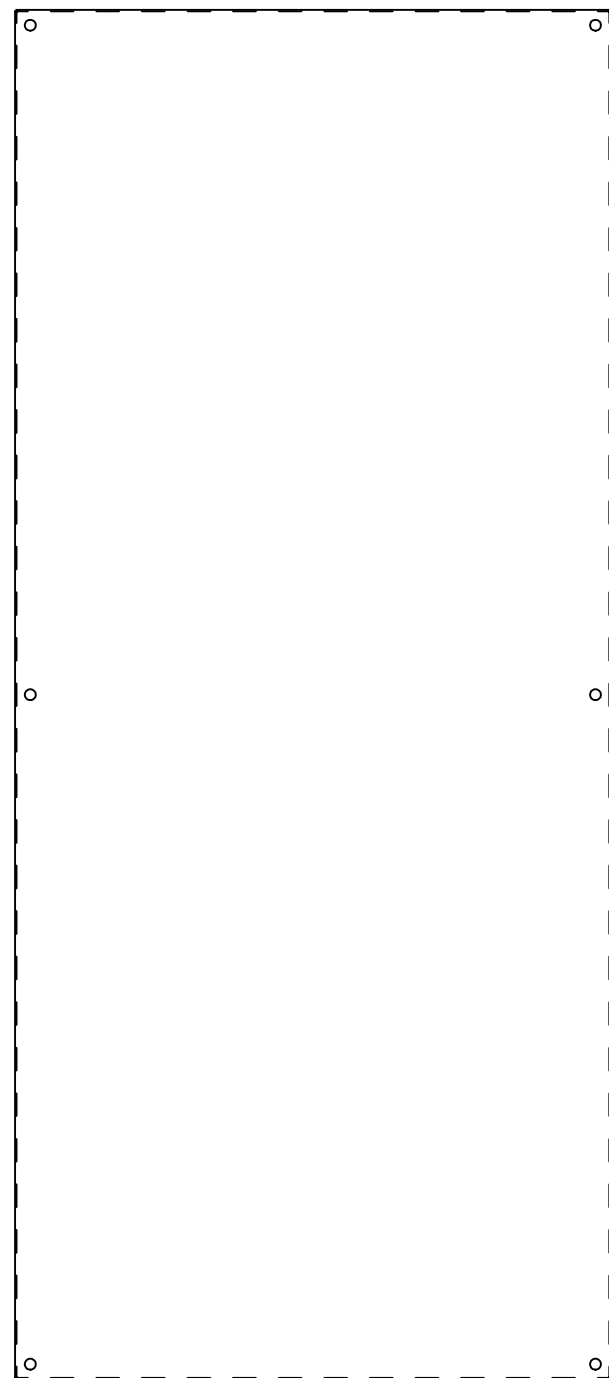
5500MD3-20IP

This drawing is confidential and must not be reproduced or used without the consent of EXM

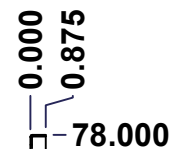
Ce dessin est confidentiel et ne doit pas être reproduit ou utilisé sans le consentement de EXM



TOP

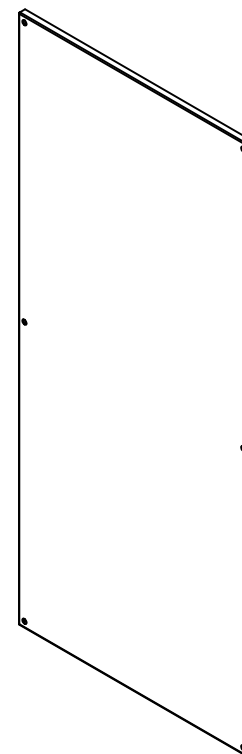


FRONT



RIGHT

No.	Revisions	Date	By/Par



Isometric View



Tél: (450) 979-4373
 Fax: (450) 979-4626
www.exmweb.com

Flatness
Aplatissement
Max 3.0mm
Projection

Customer Client	Date
Drawn By / Dessiné Par: ArthurC	Date: 06-May-21
Material / Matière: 12 Ga Galvanized (2.5mm)	
Color / Couleur: Unpainted	Finish / Fini: Unpainted

Description: 5500MD3-20 86.125" x 112" Inner Panel

Qty	Part Number	Rev.	Description
1	5500MD3-20IP-2	0	5500MD3-20 86.125" x 112" Inner Panel Part

Parts List

Part Number / Numéro Pièce: 5500MD3-2012	Rev. / Révis: 0	15 / 15
---	------------------------	---------