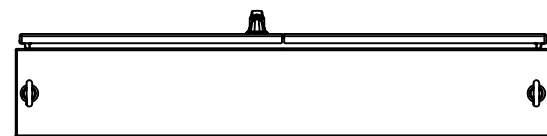


This drawing is confidential and must not be reproduced or used without the consent of EXM

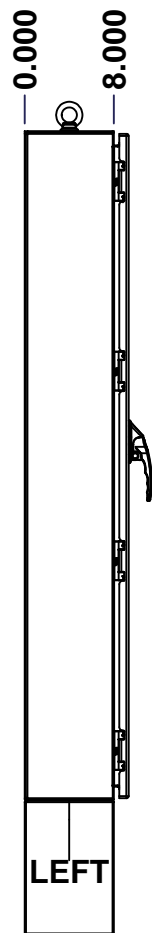
Ce dessin est confidentiel et ne doit pas être reproduit ou utilisé sans le consentement de EXM



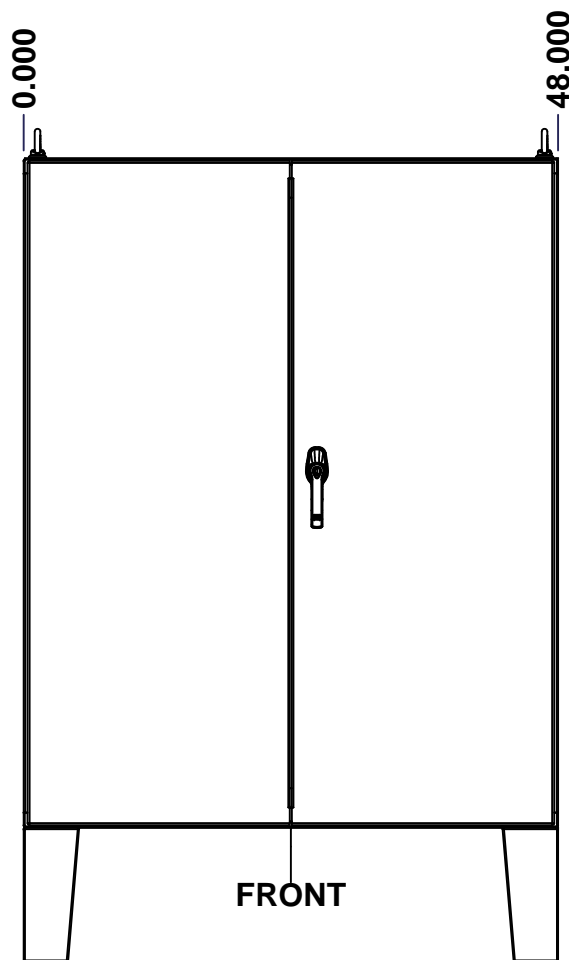
TOP



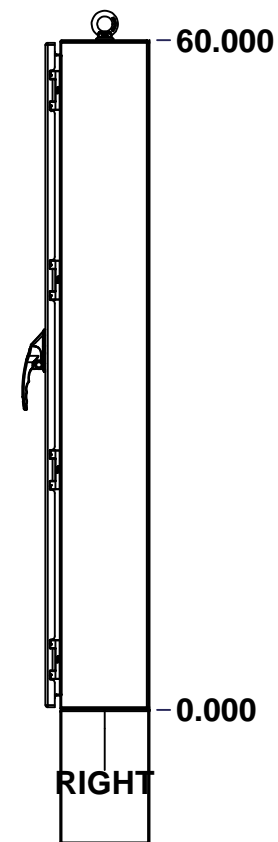
BACK



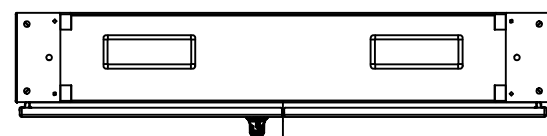
LEFT



FRONT

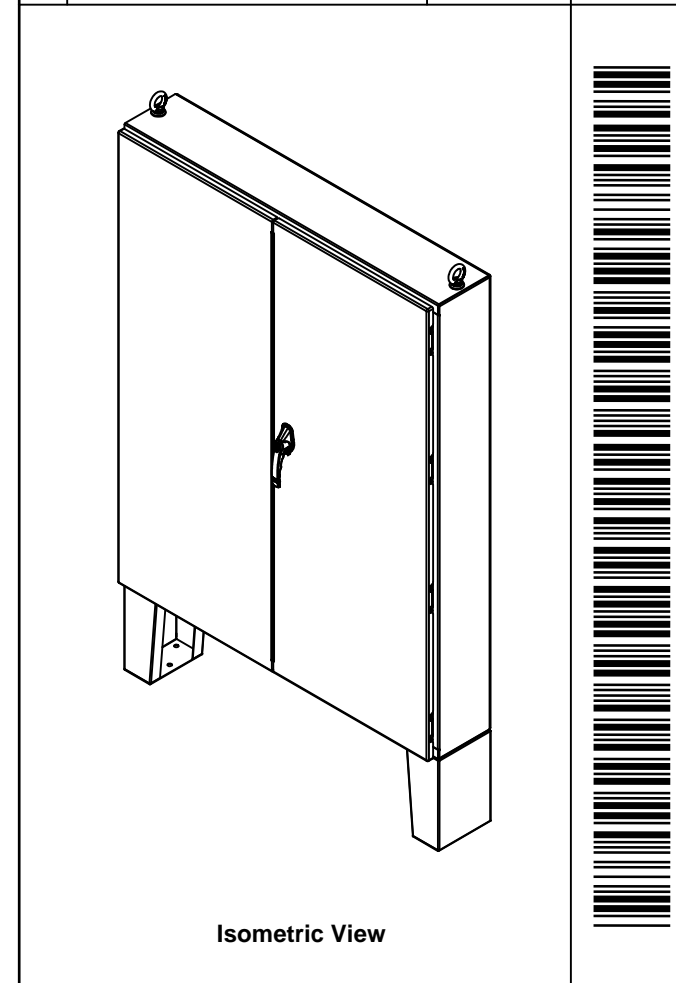


RIGHT



BOTTOM

| No. | Revisions | Date | By/Par |
|-----|-----------|------|--------|
|     |           |      |        |
|     |           |      |        |
|     |           |      |        |
|     |           |      |        |


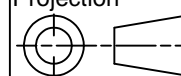


Isometric View



**GRAIN DIRECTION:  
TOP/BOTTOM: HORIZONTAL  
LEFT/RIGHT/BACK/FRONT: VERTICAL**

SEE BILL OF MATERIAL ON LAST PAGE

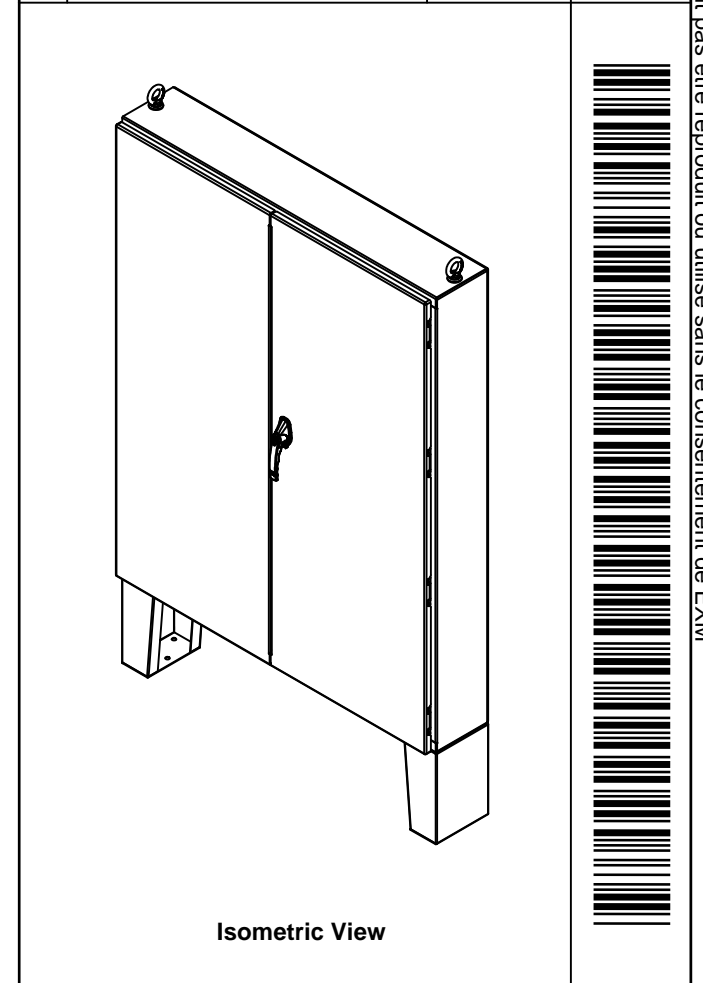
|  |                                   |   |
|--|-----------------------------------|---|
|  Tél: (450) 979-4373<br>Fax: (450) 979-4626<br><a href="http://www.exmweb.com">www.exmweb.com</a> |                                   | Flatness<br>Aplatissement<br>Max 3.0mm<br>Projection<br> |
| Customer Client  | Date                              |   |
| Drawn By<br>Dessiné Par  | BoxCad: BoxCad                    | Date 10-Mar-16  |
| Material<br>Matière  | 12 Ga Stainless Steel 304 (2.5mm) |   |
| Color<br>Couleur   | Unpainted                         | Finish<br>Fini Brushed  |
| Description  | Detail Rev.                       |   |
| 5500SSDD 60" x 48" x 8" Assembly   |                                   |   |
| Part Number<br>Numéro Pièce  | Rev.                              |   |
| 5500SSDD604808   | 0                                 | 1<br>2  |

This drawing is confidential and must not be reproduced or used without the consent of EXM

Ce dessin est confidentiel et ne doit pas être reproduit ou utilisé sans le consentement de EXM


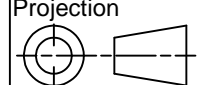
| NOTE |   |
|------|---|
| ITEM | DESCRIPTION                                   |
| 1    | NEMA 12/13 Enclosure                          |
| 2    | C/W Standard ground studs on box and cover    |
| 3    | C/W Standard door stiffener                   |
| 4    | C/W Standard inner panel (Included)           |
| 5    | C/W Standard inner panel mounting studs       |
| 6    | C/W Eyebolts                                  |
| 7    | C/W Mounting feet sold separately (Installed) |
| 8    | C/W Struts installed (Included)               |

| No. | Revisions | Date | By/Par |
|-----|-----------|------|--------|
|     |           |      |        |
|     |           |      |        |
|     |           |      |        |
|     |           |      |        |
|     |           |      |        |
|     |           |      |        |



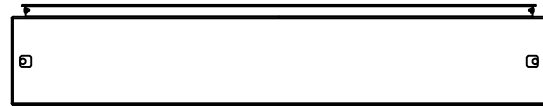
| PACKING               |     |  |
|-----------------------|-----|--|
| ITEM                  | QTY | DESCRIPTION                                    |
| Cardboard sleeve      | 2   | Top and Bottom                                 |
| Cardboard strip       | 2   | Between back of enclosure and inner panel      |
| Plastic bag           | 1   | To protect cover surface and inside gasket     |
| Cardboard corner      | 4   | To reinforced for the plastic strap tightening |
| Plastic strap - Black | 2   | To Squeeze 2 cardboard sleeve together         |
| Packaging label       | 3   | White label with PN                            |
| Plastic strap- Green  | 2   | To secure the enclosure to the wood pallet     |
| Wood Pallet           | 1   | 2" deeper and 3" larger than enclosure size    |

|            |                  |     |  |
|------------|------------------|-----|--|
| 1          | 5500SSDD604808MF | 0   | 885 MFHD 12" x 8" Mounting Feet                  |
| 1          | 880EB14SS        | 2   | Stainless Steel Eye Bolt M14 (Pack of 2)         |
| 8          | STK-Q-07320      | 0   | Flange Lock Nut M10                              |
| 1          | 885SP6048G       | 0   | 885 SP6048G Inner Panel                          |
| 6          | STK-Q-07620      | 0   | M10 Plastic Spacer 0.875"                        |
| 1          | 5500SSDD604808FD | 0   | 5500SSDD 60" x 48" Flange Door                   |
| 1          | 5500SSDD604808LD | 0   | 5500SSDD 60" x 48" Lock Door                     |
| 1          | 5500SSDD604808B  | 0   | 5500SSDD 60" x 48" x 8" Body                     |
| 2          | 5500SSDD604808GP | 0   | 5500SSDD Gland Plate                             |
| 8          | STK-Q-04051-10   | 8   | M6 Hexagon Socket Head Machine Screw with Nyseal |
| Qty        | Part Number      | Rev | Description                                      |
| Parts List |                  |     |  |

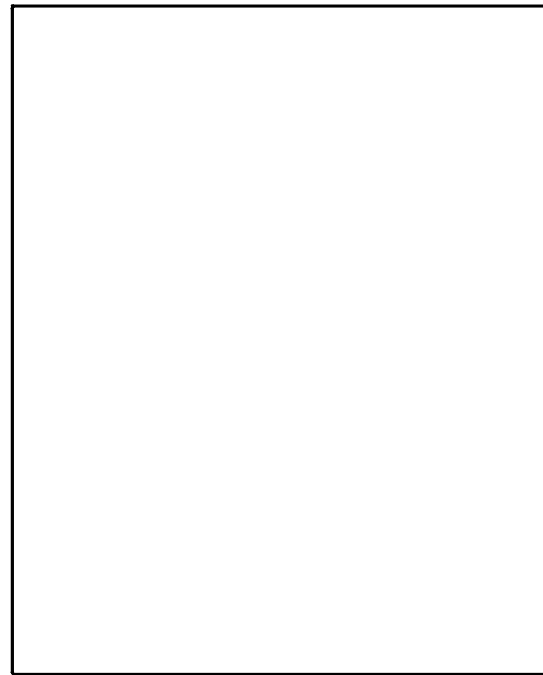
|  |                                   |   |
|--|-----------------------------------|---|
|  Tél: (450) 979-4373<br>Fax: (450) 979-4626<br><a href="http://www.exmweb.com">www.exmweb.com</a> |                                   | Flatness<br>Aplatissement<br>Max 3.0mm<br>Projection<br> |
| Customer<br>Client   | Date                              |   |
| Drawn By<br>Dessiné Par  | BoxCad: BoxCad                    | Date 10-Mar-16  |
| Material<br>Matière  | 12 Ga Stainless Steel 304 (2.5mm) |   |
| Color<br>Couleur   | Unpainted                         | Finish<br>Fini Brushed  |
| Description  | 5500SSDD 60" x 48" x 8" Assembly  |   |
| Part Number<br>Numéro Pièce  | Rev. 0                            | 2   |
| <b>5500SSDD604808</b>  |                                   | 2   |

This drawing is confidential and must not be reproduced or used without the consent of EXM

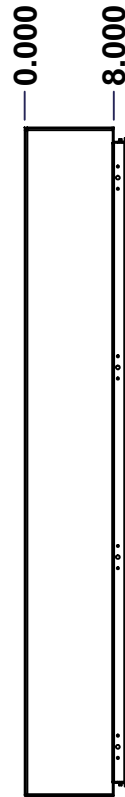
Ce dessin est confidentiel et ne doit pas être reproduit ou utilisé sans le consentement de EXM



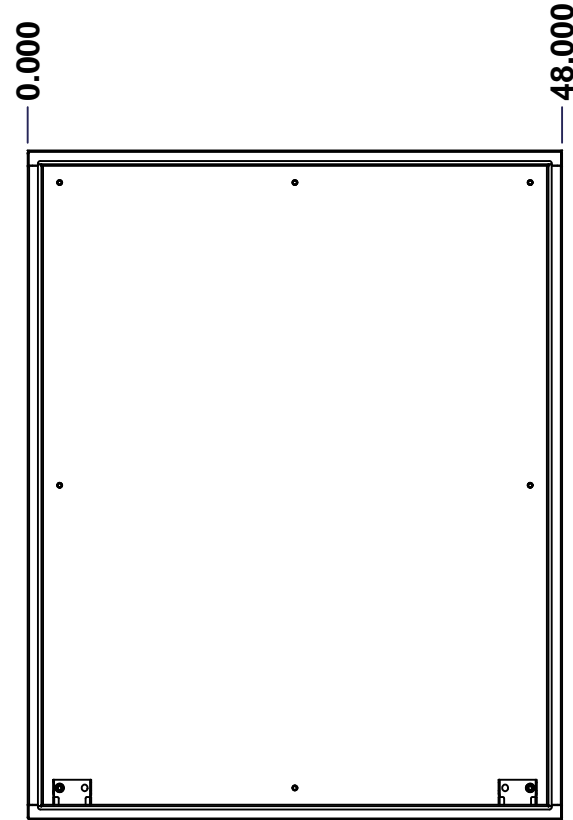
TOP



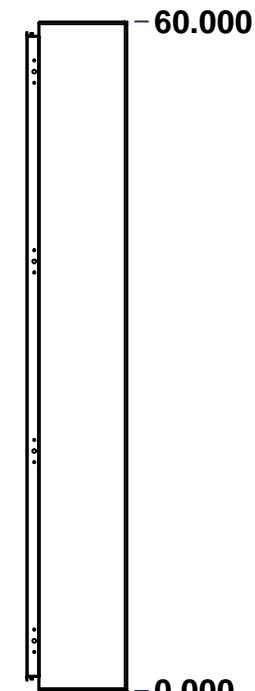
BACK



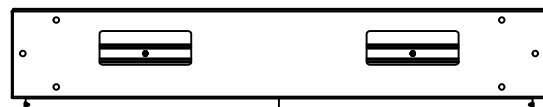
LEFT



FRONT

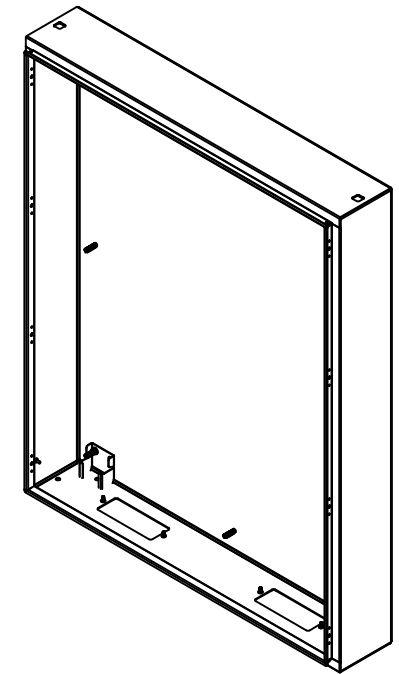


RIGHT



BOTTOM

| No. | Revisions | Date | By/Par |
|-----|-----------|------|--------|
|     |           |      |        |
|     |           |      |        |
|     |           |      |        |
|     |           |      |        |
|     |           |      |        |



Isometric View



Tél: (450) 979-4373  
 Fax: (450) 979-4626  
[www.exmweb.com](http://www.exmweb.com)

Flatness  
Aplatissement

Max 3.0mm

Projection



|   |                        |
|---|------------------------|
| Customer Client                                       | Date                   |
| Drawn By<br>Dessiné Par BoxCad: BoxCad                | Date 10-Mar-16         |
| Material<br>Matière 12 Ga Stainless Steel 304 (2.5mm) |                        |
| Color<br>Couleur Unpainted                            | Finish<br>Fini Brushed |
| Description<br>5500SSDD 60" x 48" x 8" Body           | Detail Rev.            |
| Part Number<br>Numéro Pièce <b>5500SSDD604808B</b>    | Rev. 1<br><b>0</b> 2   |

SEE BILL OF MATERIAL ON LAST PAGE

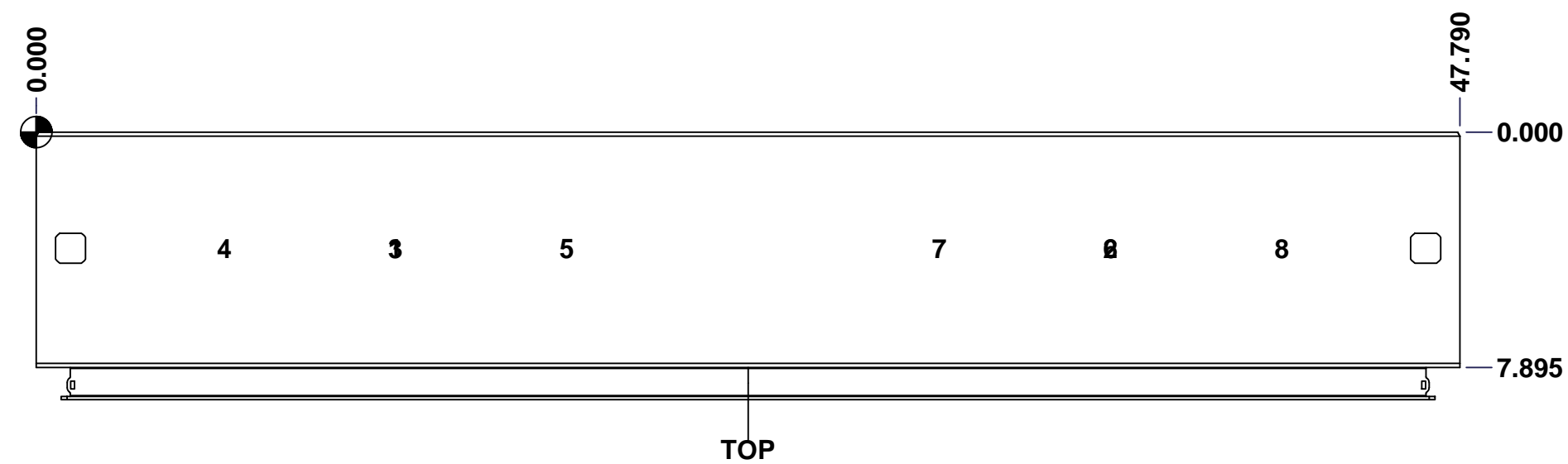
This drawing is confidential and must not be reproduced or used without the consent of EXM

Ce dessin est confidentiel et ne doit pas être reproduit ou utilisé sans le consentement de EXM

**STANDARD FEATURES ARE NOT LISTED IN THIS HOLE TABLE**

**HOLE TABLE - TOP VIEW (CUSTOM FEATURE ONLY)**

| CUT-OUT | XDIM   | YDIM  | DESCRIPTION                   |
|---------|--------|-------|-------------------------------|
| 1       | 11.895 | 3.895 | Struts CR400 17.500" (Inside) |
| 2       | 35.895 | 3.895 | Struts CR400 17.500" (Inside) |
| 3       | 11.895 | 3.895 | STUDS M6 x 10mm (Inside)      |
| 4       | 6.145  | 3.895 | STUDS M6 x 10mm (Inside)      |
| 5       | 17.645 | 3.895 | STUDS M6 x 10mm (Inside)      |
| 6       | 35.895 | 3.895 | STUDS M6 x 10mm (Inside)      |
| 7       | 30.145 | 3.895 | STUDS M6 x 10mm (Inside)      |
| 8       | 41.645 | 3.895 | STUDS M6 x 10mm (Inside)      |

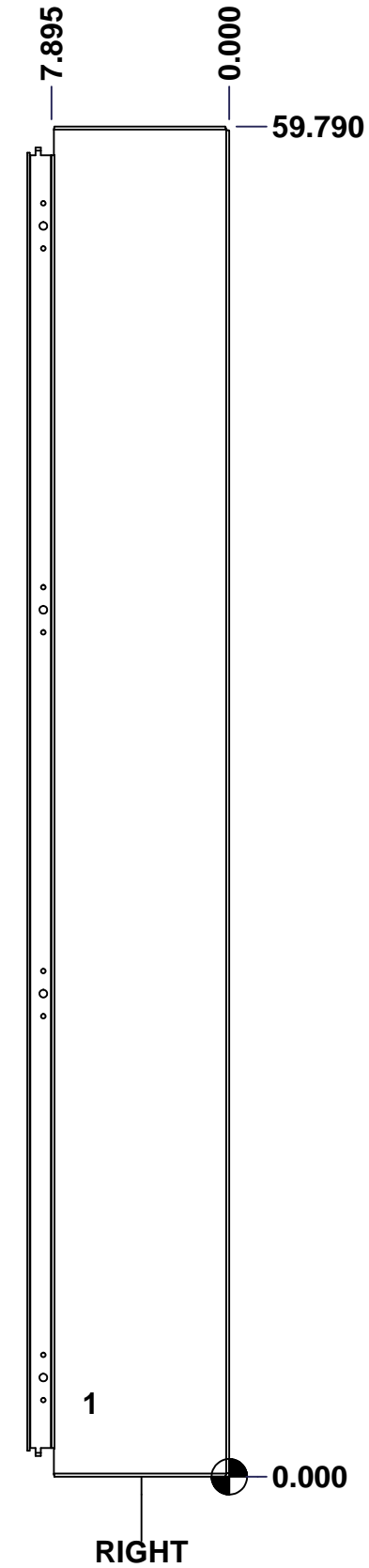


|  |                              |          |       |
|--|------------------------------|----------|-------|
|  | Description                  | Status   |       |
|  | 5500SSDD 60" x 48" x 8" Body | Released |       |
|  | Part Number<br>Numéro Pièce  | Rev.     |       |
|  | <b>5500SSDD604808B</b>       | <b>0</b> | 2 / 7 |

This drawing is confidential and must not be reproduced or used without the consent of EXM

Ce dessin est confidentiel et ne doit pas être reproduit ou utilisé sans le consentement de EXM

| <b>STANDARD FEATURES ARE NOT LISTED IN THIS HOLE TABLE</b> |       |       |                             |
|--|-------|-------|-----------------------------|
| <b>HOLE TABLE - RIGHT VIEW (CUSTOM FEATURE ONLY)</b>       |       |       |                             |
| CUT-OUT  | XDIM  | YDIM  | DESCRIPTION                 |
| 1  | 6.395 | 3.270 | GND STUD M6 x 16mm (Inside) |



|  |                              |          |
|--|------------------------------|----------|
|  | Description                  | Status   |
|  | 5500SSDD 60" x 48" x 8" Body | Released |
|  | Part Number<br>Numéro Pièce  | Rev.     |
|  | <b>5500SSDD604808B</b>       | <b>0</b> |
|  |                              | 3        |
|  |                              | 7        |

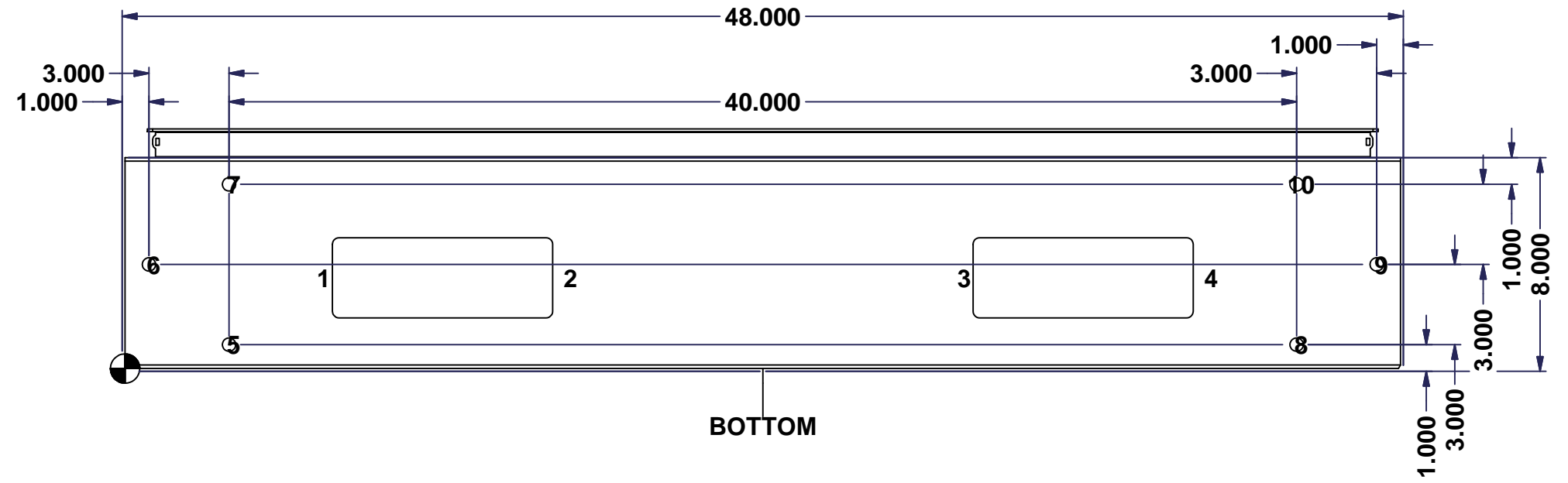
This drawing is confidential and must not be reproduced or used without the consent of EXM

Ce dessin est confidentiel et ne doit pas être reproduit ou utilisé sans le consentement de EXM

**STANDARD FEATURES ARE NOT LISTED IN THIS HOLE TABLE**

**HOLE TABLE - BOTTOM VIEW (CUSTOM FEATURE ONLY)**

| CUT-OUT | XDIM   | YDIM  | DESCRIPTION                |
|---------|--------|-------|----------------------------|
| 1       | 7.270  | 3.395 | GP STUD M6 x 16mm (Inside) |
| 2       | 16.520 | 3.395 | GP STUD M6 x 16mm (Inside) |
| 3       | 31.270 | 3.395 | GP STUD M6 x 16mm (Inside) |
| 4       | 40.520 | 3.395 | GP STUD M6 x 16mm (Inside) |
| -----   |        |       |                            |
| 5       | 3.895  | 0.895 | RND Ø0.500                 |
| 6       | 0.895  | 3.895 | RND Ø0.500                 |
| 7       | 3.895  | 6.895 | RND Ø0.500                 |
| 8       | 43.895 | 0.895 | RND Ø0.500                 |
| 9       | 46.895 | 3.895 | RND Ø0.500                 |
| 10      | 43.895 | 6.895 | RND Ø0.500                 |

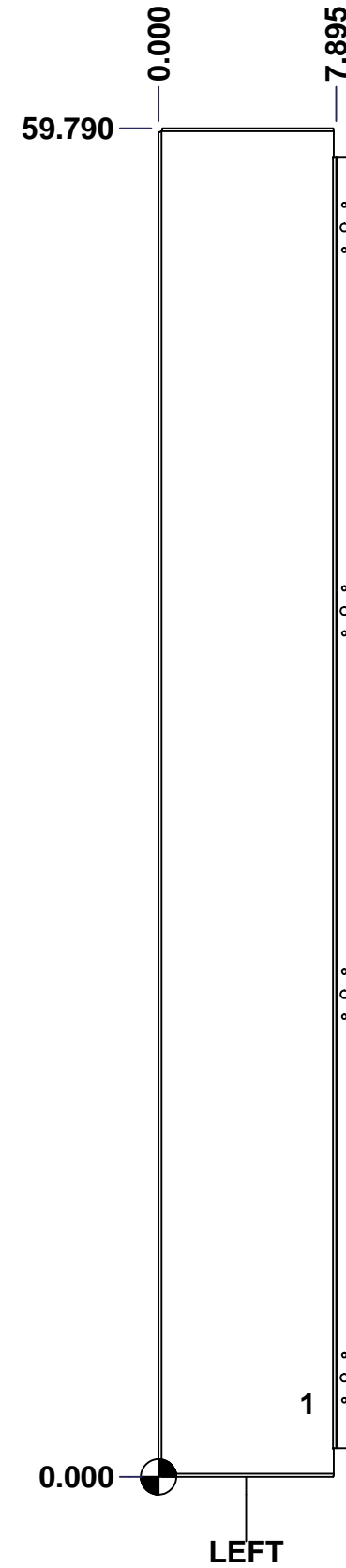


|  |                              |          |       |
|--|------------------------------|----------|-------|
|  | Description                  | Status   |       |
|  | 5500SSDD 60" x 48" x 8" Body | Released |       |
|  | Part Number<br>Numéro Pièce  | Rev.     |       |
|  | <b>5500SSDD604808B</b>       | <b>0</b> | 4 / 7 |

This drawing is confidential and must not be reproduced or used without the consent of EXM

Ce dessin est confidentiel et ne doit pas être reproduit ou utilisé sans le consentement de EXM

| <b>STANDARD FEATURES ARE NOT LISTED IN THIS HOLE TABLE</b> |       |       |                             |
|--|-------|-------|-----------------------------|
| <b>HOLE TABLE - LEFT VIEW (CUSTOM FEATURE ONLY)</b>        |       |       |                             |
| CUT-OUT  | XDIM  | YDIM  | DESCRIPTION                 |
| 1  | 6.395 | 3.270 | GND STUD M6 x 16mm (Inside) |



|  |                              |          |   |
|--|------------------------------|----------|---|
|  | Description                  | Status   |   |
|  | 5500SSDD 60" x 48" x 8" Body | Released |   |
|  | Part Number<br>Numéro Pièce  | Rev.     | 5 |
|  | <b>5500SSDD604808B</b>       | <b>0</b> | 7 |

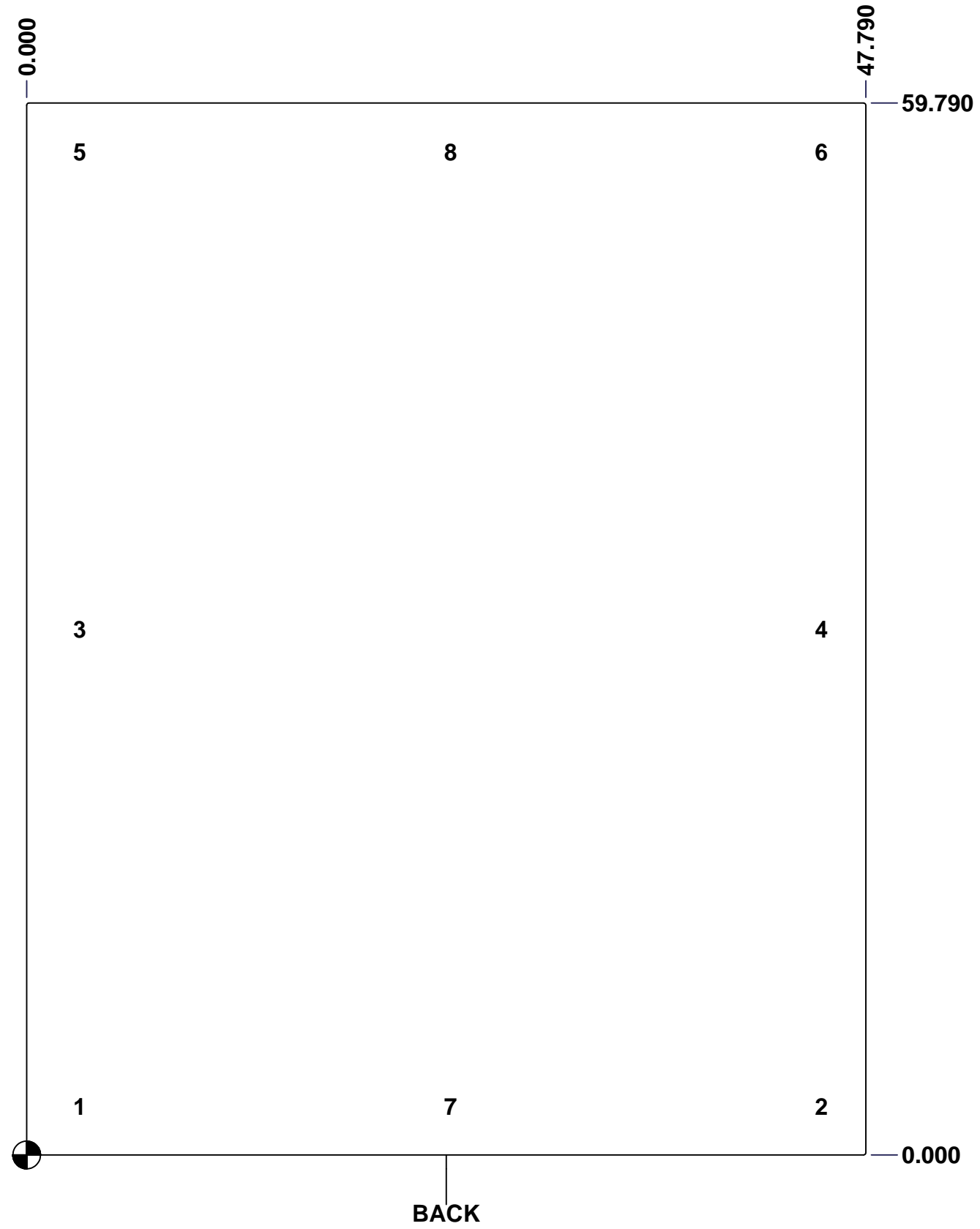
This drawing is confidential and must not be reproduced or used without the consent of EXM

Ce dessin est confidentiel et ne doit pas être reproduit ou utilisé sans le consentement de EXM

**STANDARD FEATURES ARE NOT LISTED IN THIS HOLE TABLE**

**HOLE TABLE - BACK VIEW (CUSTOM FEATURE ONLY)**

| CUT-OUT | XDIM   | YDIM   | DESCRIPTION                 |
|---------|--------|--------|-----------------------------|
| 1       | 2.770  | 2.770  | IP STUD M10 x 40mm (Inside) |
| 2       | 45.020 | 2.770  | IP STUD M10 x 40mm (Inside) |
| 3       | 2.770  | 29.895 | IP STUD M10 x 40mm (Inside) |
| 4       | 45.020 | 29.895 | IP STUD M10 x 40mm (Inside) |
| 5       | 2.770  | 57.020 | IP STUD M10 x 40mm (Inside) |
| 6       | 45.020 | 57.020 | IP STUD M10 x 40mm (Inside) |
| 7       | 23.895 | 2.770  | IP STUD M10 x 40mm (Inside) |
| 8       | 23.895 | 57.020 | IP STUD M10 x 40mm (Inside) |



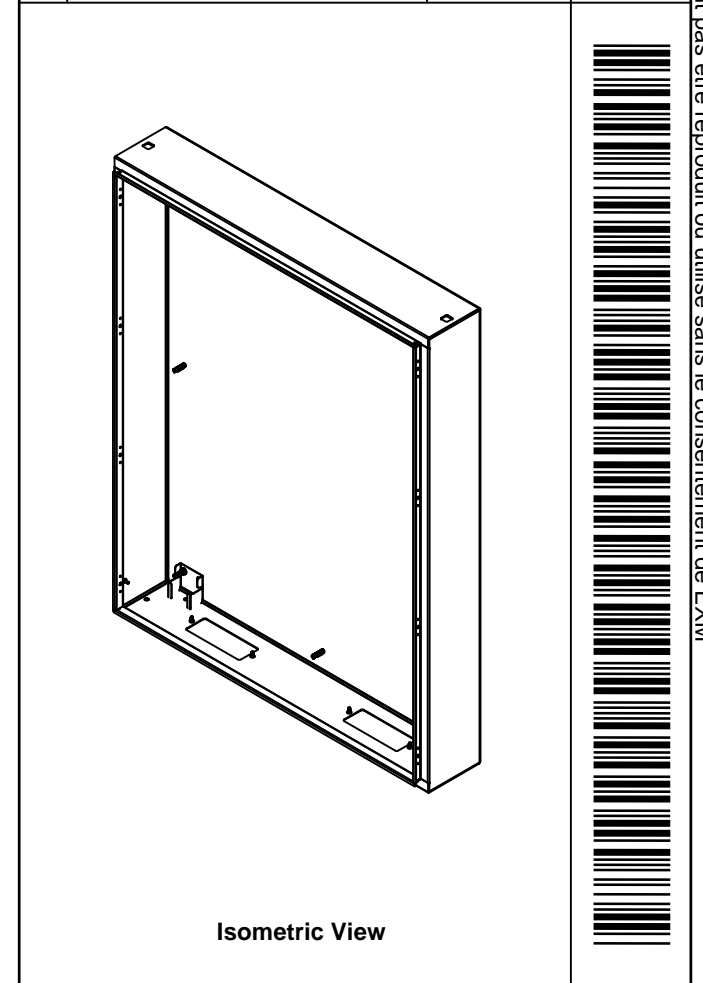
|                             |                              |          |          |  |
|-----------------------------|------------------------------|----------|----------|--|
|                             | Description                  |          | Status   |  |
|                             | 5500SSDD 60" x 48" x 8" Body |          | Released |  |
| Part Number<br>Numéro Pièce |                              | Rev.     | 6        |  |
| <b>5500SSDD604808B</b>      |                              | <b>0</b> | 7        |  |




This drawing is confidential and must not be reproduced or used without the consent of EXM

Ce dessin est confidentiel et ne doit pas être reproduit ou utilisé sans le consentement de EXM

| No. | Revisions | Date | By/Par |
|-----|-----------|------|--------|
|     |           |      |        |
|     |           |      |        |
|     |           |      |        |
|     |           |      |        |
|     |           |      |        |

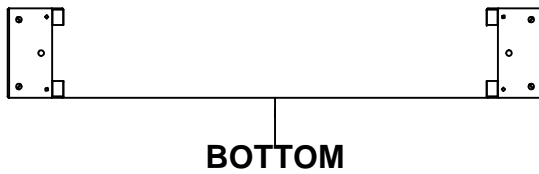
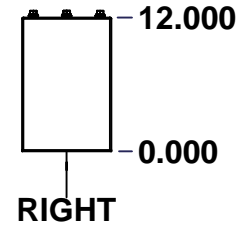
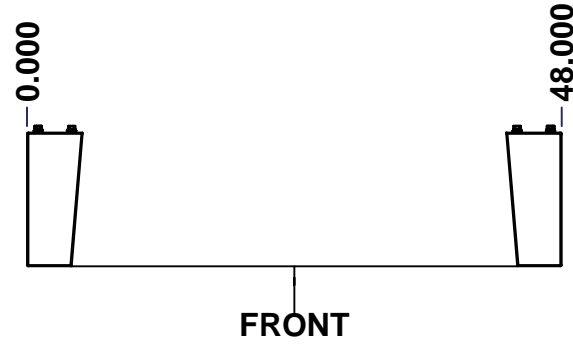
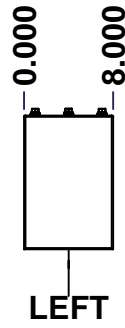
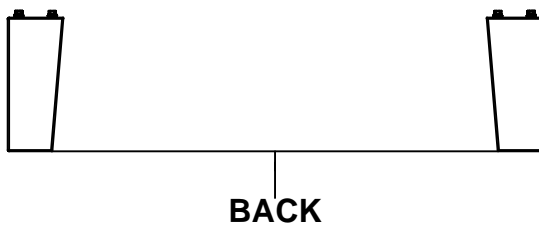
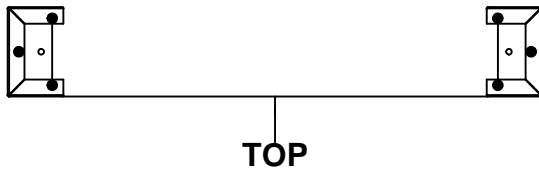


| Qty        | Part Number        | Rev | Description                                   |
|------------|--------------------|-----|---|
| 6          | STK-Q-16040        | 0   | Stud M6 x 10mm Stainless Steel                |
| 6          | STK-Q-07220        | 1   | M6 Nylon Insert Lock Nut                      |
| 2          | STK-Q-16085        | 0   | Ground Stud M6 x 16mm Stainless Steel         |
| 4          | STK-Q-16095        | 0   | M6 x 16mm Stainless Steel Ground Stud         |
| 2          | STK-Q-07320        | 0   | Flange Lock Nut M10                           |
| 2          | STK-Q-07618        | 1   | 5500 Series Inner Panel Support Bracket       |
| 8          | STK-Q-16120        | 0   | Stud M10 x 40mm Stainless Steel               |
| 1          | 5500SSDD604808BT-P | 0   | 5500SSDD 48" x 8" Bottom Part                 |
| 1          | 5500SSDD604808T-P  | 0   | 5500SSDD 48" x 8" Top Part                    |
| 1          | 5500SSDD604808RS-P | 0   | 5500SSDD 60" x 48" Right Part                 |
| 1          | 5500SSDD604808LS-P | 0   | 5500SSDD 60" x 48" Left Part                  |
| 1          | 5500SSDD604808B-P  | 0   | 5500SSDD 60" x 48" Back Part                  |
| 2          | CR400SS_17.5       | 0   | Commercial Roll Stainless Steel (17.5in long) |
| Qty        | Part Number        | Rev | Description                                   |
| Parts List |                    |     |   |

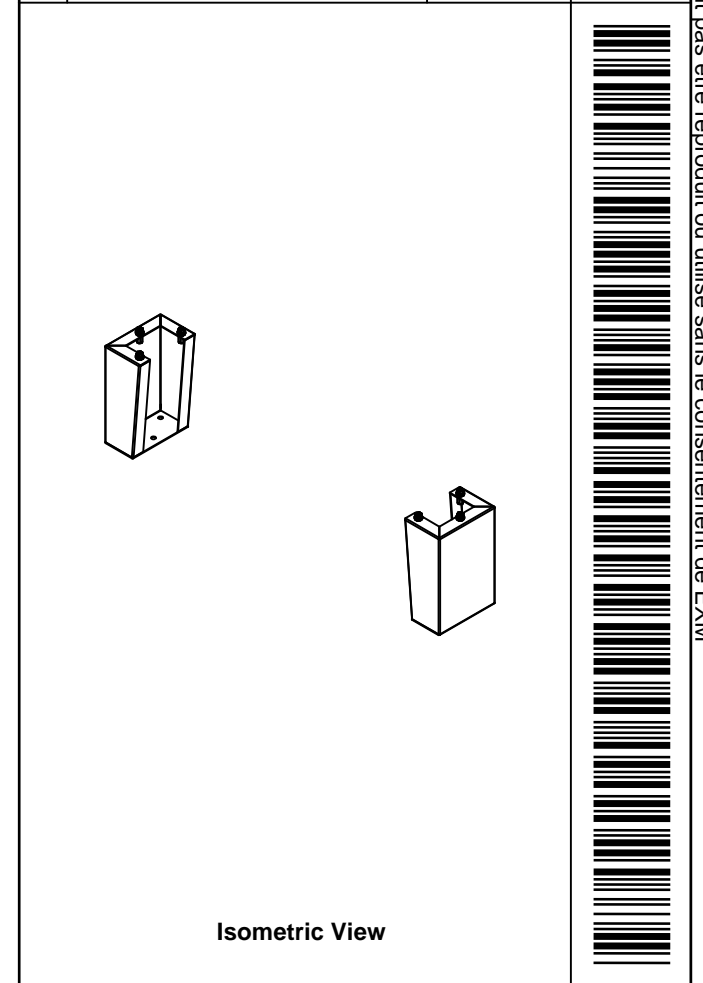
|  |  |                                   |             |
|--|--|-----------------------------------|-------------|
|  Tél: (450) 979-4373<br>Fax: (450) 979-4626<br><a href="http://www.exmweb.com">www.exmweb.com</a> |  | Flatness<br>Aplatissement         |             |
|  |  | Max 3.0mm                         |             |
| Customer<br>Client   |  | Date                              |             |
| Drawn By<br>Dessiné Par  |  | Date 10-Mar-16                    |             |
| Material<br>Matière  |  | 12 Ga Stainless Steel 304 (2.5mm) |             |
| Color<br>Couleur   |  | Finish<br>Fini                    |             |
| Unpainted  |  | Brushed                           |             |
| Description  |  |                                   | Detail Rev. |
| 5500SSDD 60" x 48" x 8" Body   |  |                                   |             |
| Part Number<br>Numéro Pièce  |  | Rev.                              | 2           |
| <b>5500SSDD604808B</b>   |  | <b>0</b>                          | 2           |


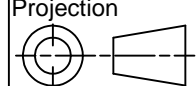
This drawing is confidential and must not be reproduced or used without the consent of EXM

Ce dessin est confidentiel et ne doit pas être reproduit ou utilisé sans le consentement de EXM



| No. | Revisions | Date | By/Par |
|-----|-----------|------|--------|
|     |           |      |        |
|     |           |      |        |
|     |           |      |        |
|     |           |      |        |



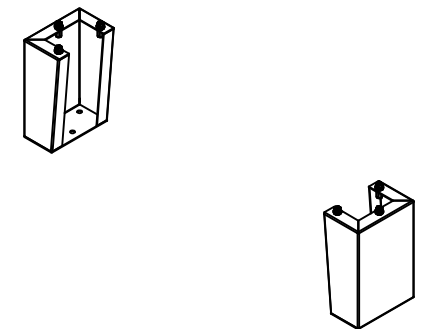
|  |                            |   |
|--|----------------------------|---|
|  Tél: (450) 979-4373<br>Fax: (450) 979-4626<br><a href="http://www.exmweb.com">www.exmweb.com</a> |                            | Flatness<br>Aplatissement<br>Max 3.0mm<br>Projection<br> |
| Customer Client  | Date                       |   |
| Drawn By / Dessiné Par: BoxCad: BoxCad   | Date: 10-Mar-16            |   |
| Material / Matière: 12 Ga Stainless Steel 304 (2.5mm)  | Color / Couleur: Unpainted |   |
|  | Finish / Fini: Brushed     |   |
| Description: 885 MFHD 12" x 8" Mounting Feet   |                            | Detail Rev.   |
| Part Number / Numéro Pièce: 5500SSDD604808MF   | Rev. 0                     | 1 / 4   |

**SEE BILL OF MATERIAL ON LAST PAGE**

This drawing is confidential and must not be reproduced or used without the consent of EXM


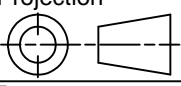
Ce dessin est confidentiel et ne doit pas être reproduit ou utilisé sans le consentement de EXM

| No. | Revisions | Date | By/Par |
|-----|-----------|------|--------|
|     |           |      |        |
|     |           |      |        |
|     |           |      |        |
|     |           |      |        |
|     |           |      |        |



Isometric View

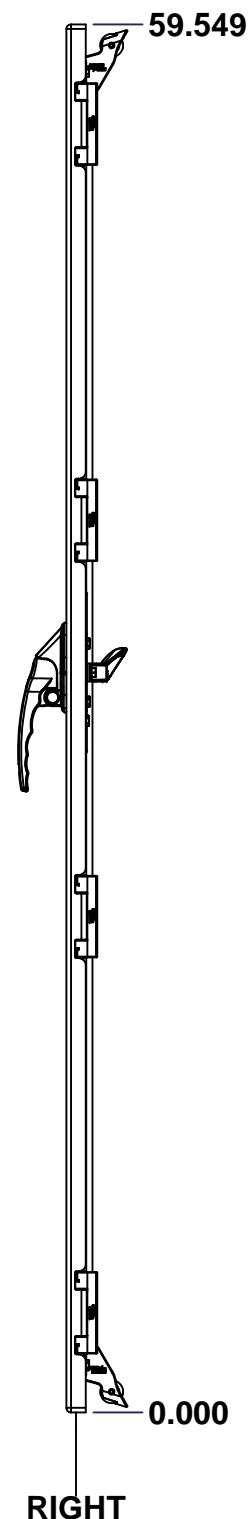
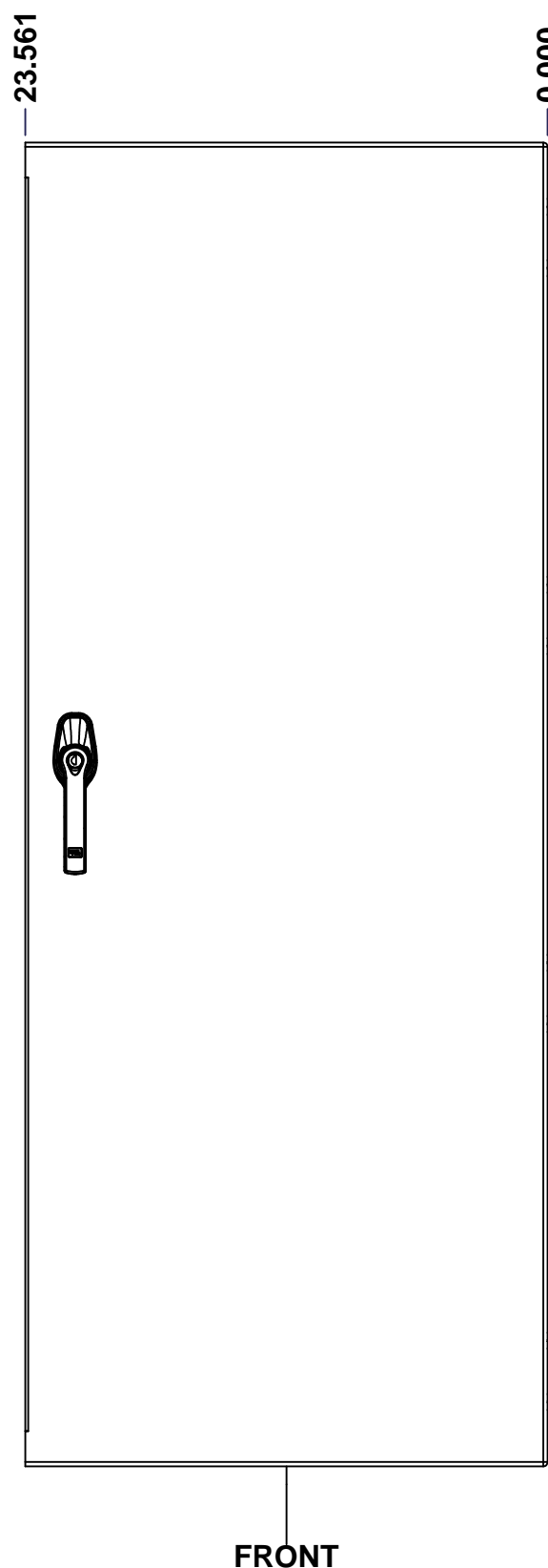
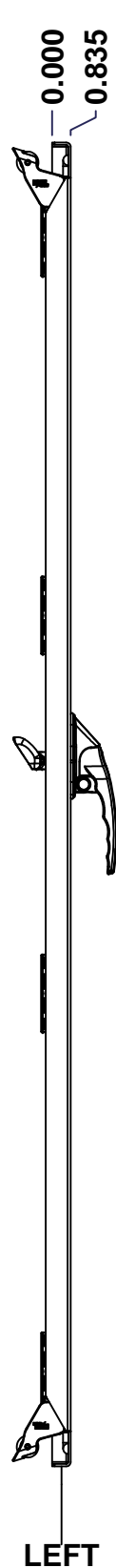
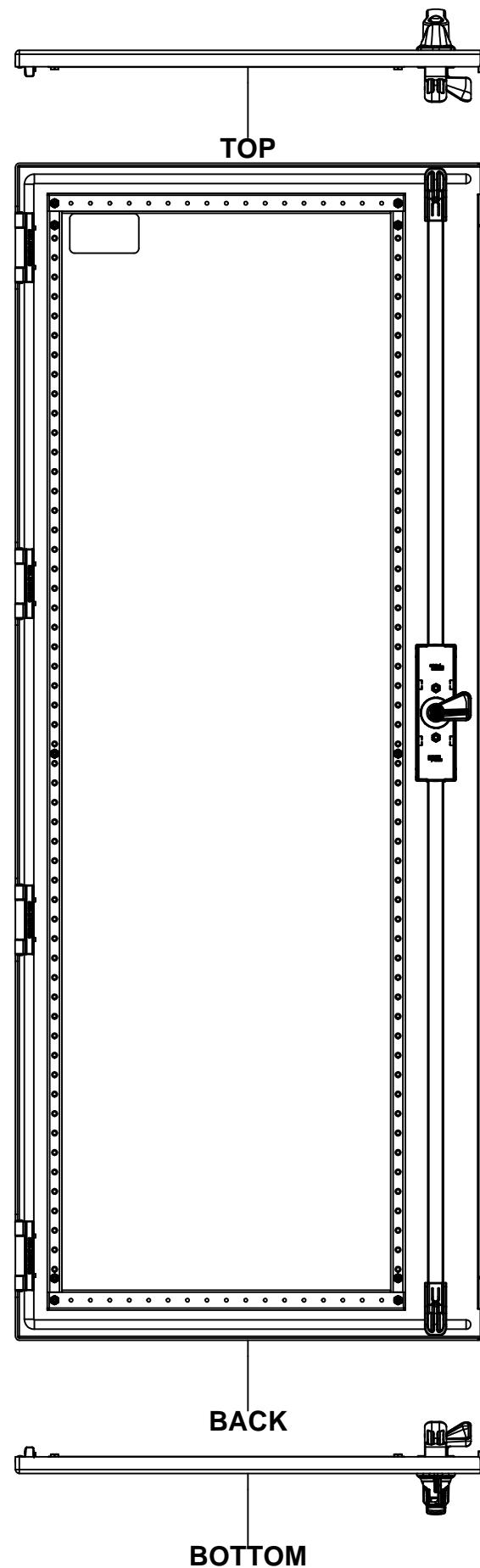


|  |                                   |   |
|--|-----------------------------------|---|
|  Tél: (450) 979-4373<br>Fax: (450) 979-4626<br><a href="http://www.exmweb.com">www.exmweb.com</a> |                                   | Flatness<br>Aplatissement<br>Max 3.0mm<br>Projection<br> |
| Customer Client  | Date                              |   |
| Drawn By<br>Dessiné Par  | BoxCad: BoxCad                    | Date 10-Mar-16  |
| Material<br>Matière  | 12 Ga Stainless Steel 304 (2.5mm) |   |
| Color<br>Couleur   | Unpainted                         | Finish<br>Fini<br>Brushed   |
| Description  | Detail Rev.                       |   |
| Part Number<br>Numéro Pièce  | 885 MFHD 12" x 8" Mounting Feet   | Rev. 4  |
| <b>5500SSDD604808MF</b>  |                                   | <b>0</b> / 4  |

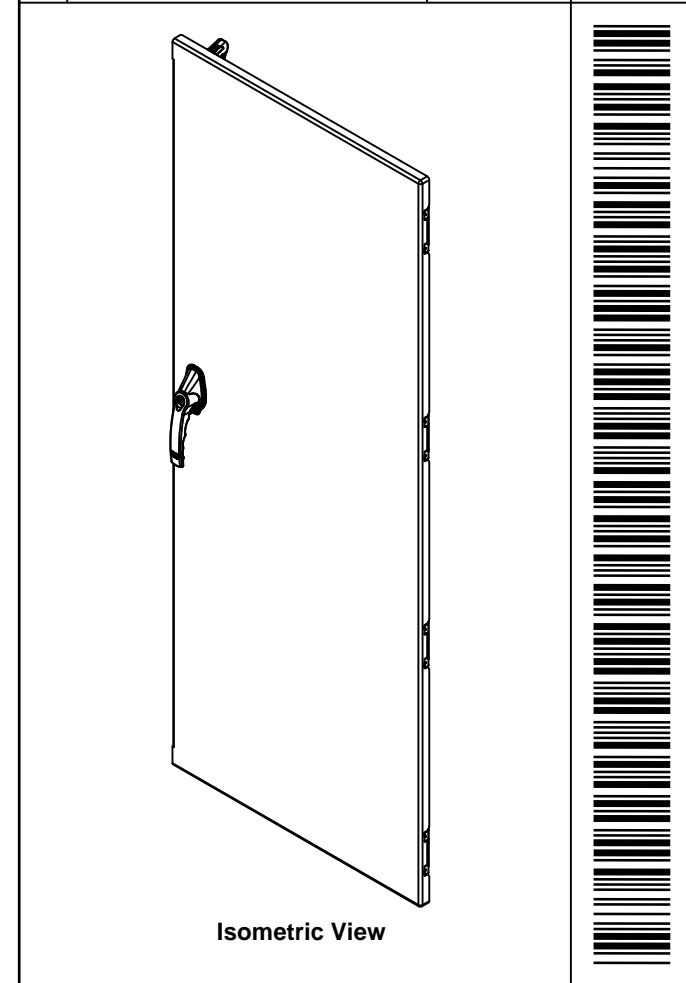
| Qty        | Part Name                  | Rev | Description   |
|------------|----------------------------|-----|---|
| 6          | RIVET_NUT_SS_M10_FH<br>_CE | 0   | Stainless Steel Rivet Nut M10 (Low Profile Close End) |
| 1          | 5500SSDD604808MFR-P        | 0   | 885 MFHD 12" x 8" Right Mounting Feet Part            |
| 1          | 5500SSDD604808MFL-P        | 0   | 885 MFHD 12" x 8" Left Mounting Feet Part             |
| 1          | STK-K-11610                | 2   | 885 MFSS Accessory Kit                                |
| Parts List |                            |     |   |


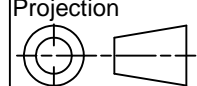
This drawing is confidential and must not be reproduced or used without the consent of EXM

Ce dessin est confidentiel et ne doit pas être reproduit ou utilisé sans le consentement de EXM



| No. | Revisions | Date | By/Par |
|-----|-----------|------|--------|
|     |           |      |        |
|     |           |      |        |
|     |           |      |        |
|     |           |      |        |
|     |           |      |        |



|  |                                   |   |           |
|--|-----------------------------------|---|-----------|
|  Tél: (450) 979-4373<br>Fax: (450) 979-4626<br><a href="http://www.exmweb.com">www.exmweb.com</a> |                                   | Flatness<br>Aplatissement   |           |
|  |                                   | Max 3.0mm   |           |
| Customer<br>Client   |                                   | Projection  |           |
| Date   |                                   |  |           |
| Drawn By<br>Dessiné Par  | BoxCad: BoxCad                    | Date  | 10-Mar-16 |
| Material<br>Matière  | 12 Ga Stainless Steel 304 (2.5mm) |   |           |
| Color<br>Couleur   | Unpainted                         | Finish<br>Fini  | Brushed   |
| Description  |                                   | Detail Rev.   |           |
| 5500SSDD 60" x 48" Lock Door   |                                   |   |           |
| Part Number<br>Numéro Pièce  | Rev.                              | 1   | 3         |
| 5500SSDD604808LD   |                                   | 0   |           |

SEE BILL OF MATERIAL ON LAST PAGE

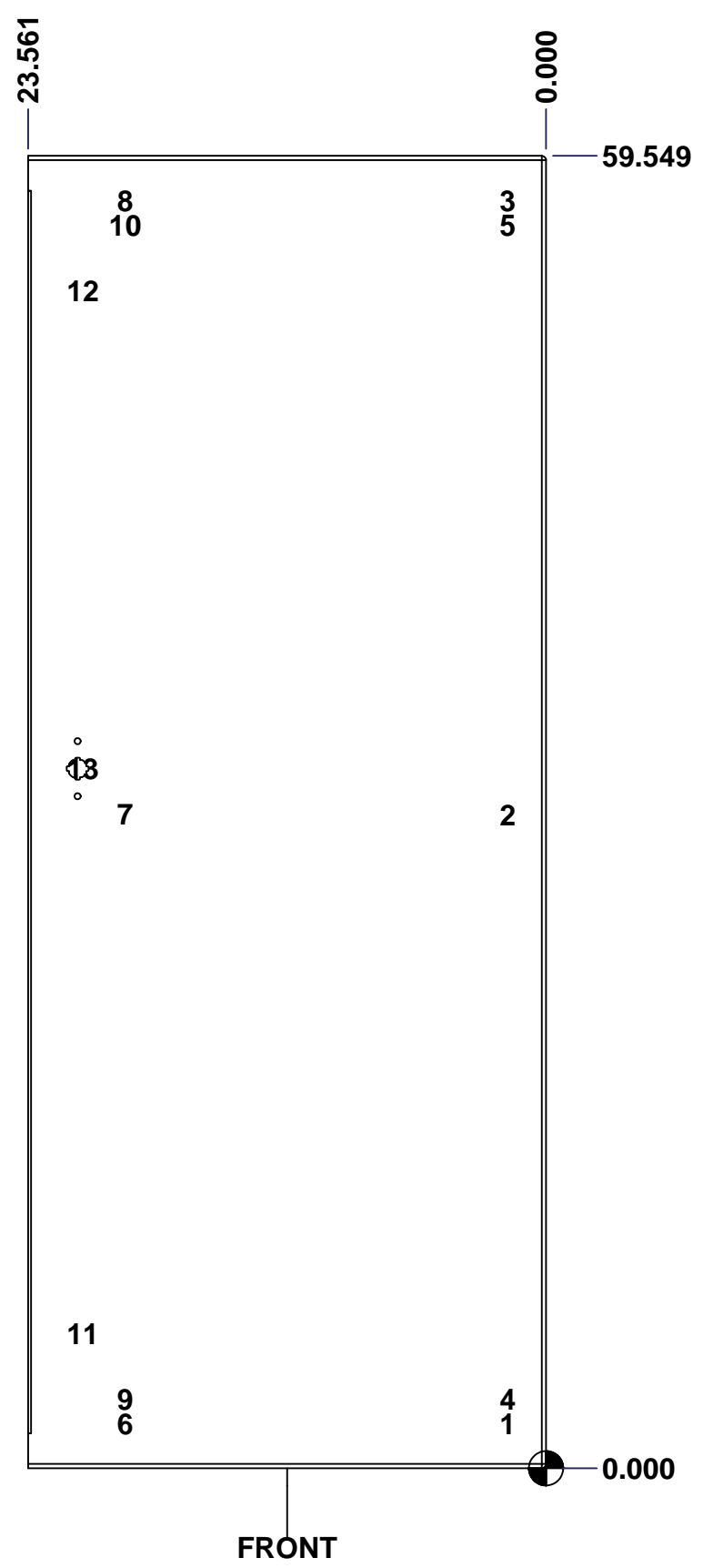
This drawing is confidential and must not be reproduced or used without the consent of EXM

Ce dessin est confidentiel et ne doit pas être reproduit ou utilisé sans le consentement de EXM

**STANDARD FEATURES ARE NOT LISTED IN THIS HOLE TABLE**

**HOLE TABLE - FRONT VIEW (CUSTOM FEATURE ONLY)**

| CUT-OUT | XDIM   | YDIM   | DESCRIPTION                    |
|---------|--------|--------|--------------------------------|
| 1       | 1.983  | 2.028  | STUD M6 x 18mm (Inside)        |
| 2       | 1.983  | 29.675 | STUD M6 x 18mm (Inside)        |
| 3       | 1.983  | 57.521 | STUD M6 x 18mm (Inside)        |
| 4       | 1.983  | 3.139  | STUD M6 x 18mm (Inside)        |
| 5       | 1.983  | 56.409 | STUD M6 x 18mm (Inside)        |
| 6       | 19.390 | 2.028  | STUD M6 x 18mm (Inside)        |
| 7       | 19.390 | 29.675 | STUD M6 x 18mm (Inside)        |
| 8       | 19.390 | 57.521 | STUD M6 x 18mm (Inside)        |
| 9       | 19.390 | 3.139  | STUD M6 x 18mm (Inside)        |
| 10      | 19.390 | 56.409 | STUD M6 x 18mm (Inside)        |
| 11      | 21.311 | 6.118  | STUD M6 x 18mm (Inside)        |
| 12      | 21.311 | 53.430 | STUD M6 x 18mm (Inside)        |
| -----   |        |        |                                |
| 13      | 21.311 | 31.743 | HANDLE 885 ESL2A-APHKSS @ 0.0° |



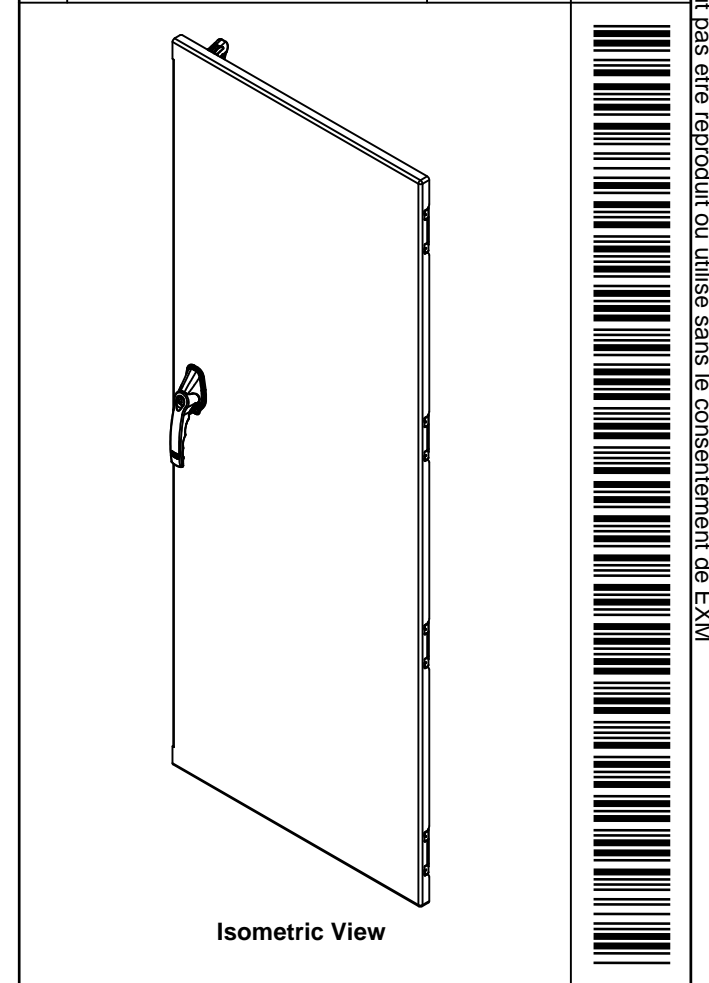
FRONT

|  |                              |          |
|--|------------------------------|----------|
|  | Description                  | Status   |
|  | 5500SSDD 60" x 48" Lock Door | (NULL)   |
|  | Part Number<br>Numéro Pièce  | Rev.     |
|  | <b>5500SSDD604808LD</b>      | <b>0</b> |
|  |                              | 2        |
|  |                              | 3        |


This drawing is confidential and must not be reproduced or used without the consent of EXM

Ce dessin est confidentiel et ne doit pas être reproduit ou utilisé sans le consentement de EXM

| No. | Revisions | Date | By/Par |
|-----|-----------|------|--------|
|     |           |      |        |
|     |           |      |        |
|     |           |      |        |
|     |           |      |        |
|     |           |      |        |



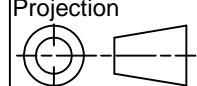
| Qty | Part Name          | Rev | Description  |
|-----|--------------------|-----|--|
| 1   | STK-Q-47521        | 1   | 5500 DDS Lower Closing Bar 60"                               |
| 1   | STK-Q-47511        | 1   | 5500 DDS Upper Closing Bar 60"                               |
| 1   | STK-A-03986-36     | 2   | Gearbox Counterclockwise Assembly (36.0mm)                   |
| 1   | 885ESL2A-APHKSS    | 7   | 885 ESL2A-APHKSS - Stainless Steel L-Handle Padlockable Assy |
| 1   | STK-S-00100        | 0   | 3.5" x 2" Silver Milar Flexcon Sticker                       |
| 1   | 5500SSDD604808LDG  | 0   | 5500SSDD 60" x 48" Lock Door Gasket                          |
| 1   | STK-K-10700        | 3   | 5500 DDS - Door Stiffener Assembly                           |
| 2   | STK-Q-16410        | 0   | Guide Stud - Largel (No Paint Cap Required)                  |
| 10  | STK-Q-16070        | 1   | Stud M6 x 18mm Stainless steel                               |
| 1   | 5500SSDD604808LD-P | 0   | 5500SSDD 60" x 48" Lock Door Part                            |
| 4   | STK-K-09870        | 7   | Cabinet Hinge with Captive Pins                              |
| 2   | STK-A-90025        | 0   | 9500 - Cabinet Closing Bar End (Large)                       |
|     |                    |     |  |
|     |                    |     |  |



Tél: (450) 979-4373  
Fax: (450) 979-4626  
[www.exmweb.com](http://www.exmweb.com)

Flatness  
Aplatissement  
Max 3.0mm

Projection

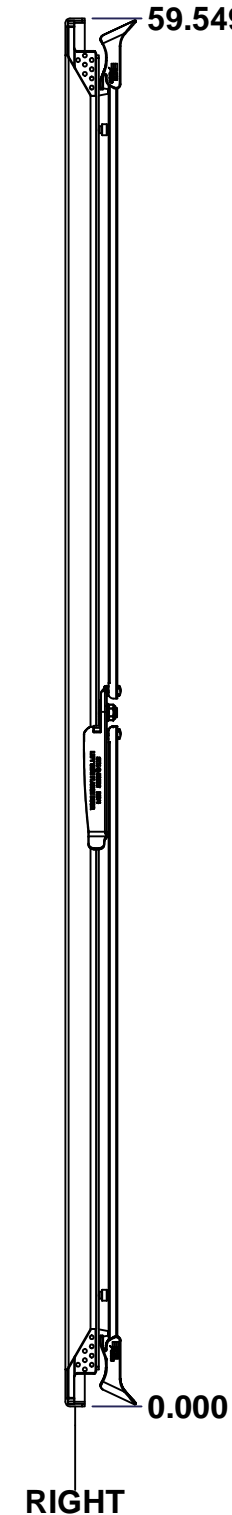
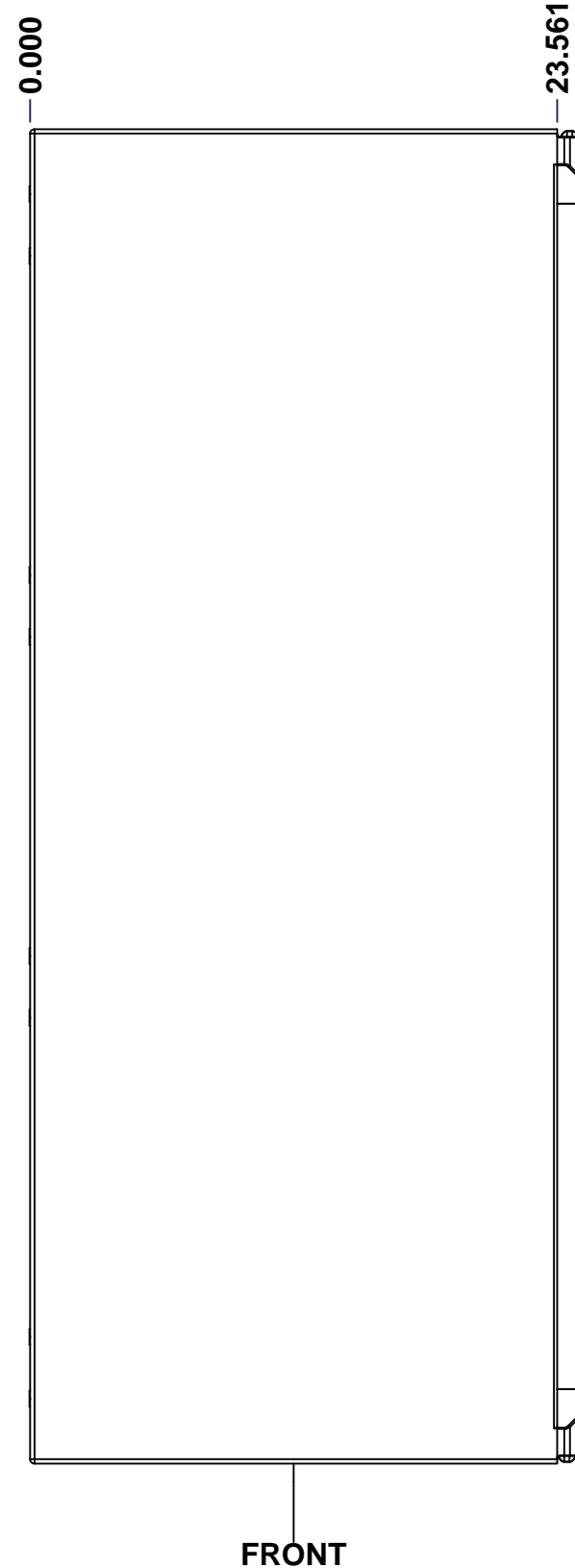
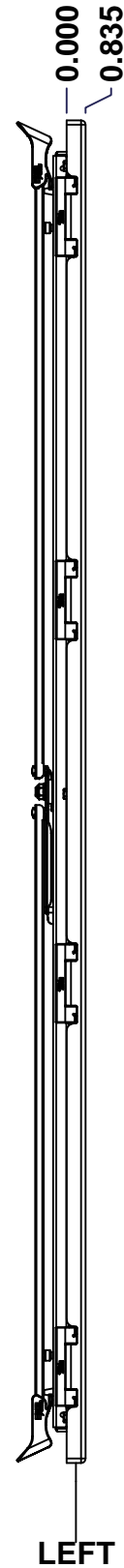
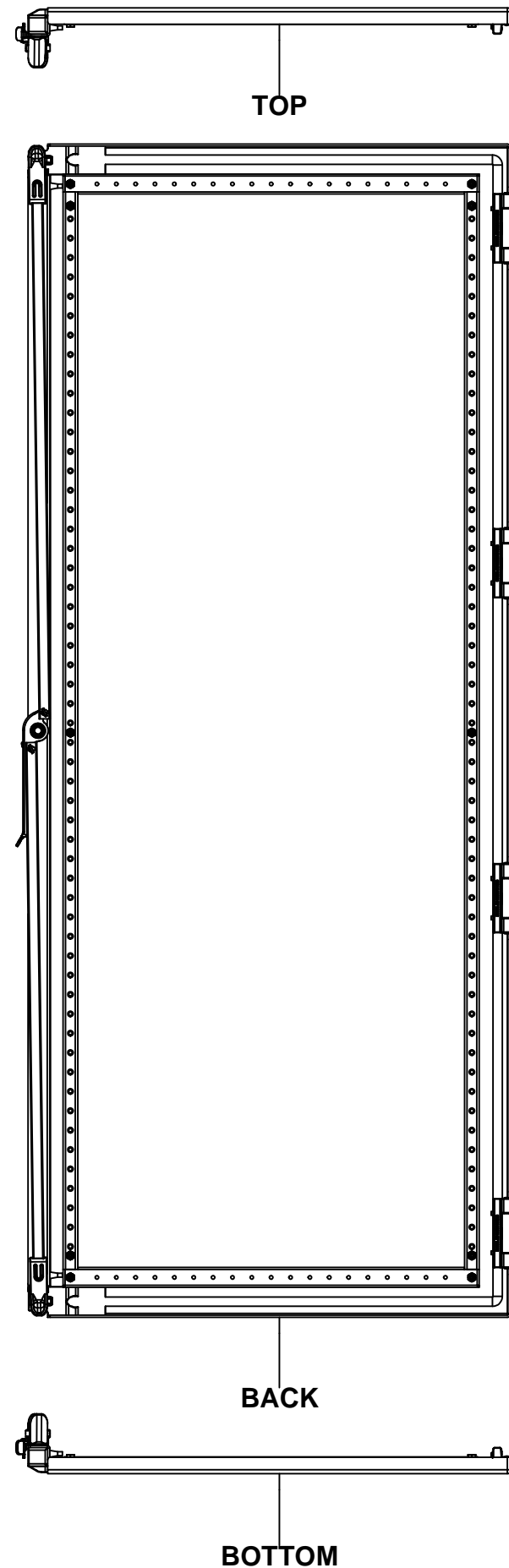


|  |                         |                |
|--|-------------------------|----------------|
| Customer Client  |                         | Date           |
| Drawn By<br>Dessiné Par                                | BoxCad: BoxCad          | Date 10-Mar-16 |
| Material<br>Matière: 12 Ga Stainless Steel 304 (2.5mm) |                         |                |
| Color<br>Couleur: Unpainted                            | Finish<br>Fini: Brushed |                |
| Description: 5500SSDD 60" x 48" Lock Door              |                         | Detail Rev.    |
| Part Number<br>Numéro Pièce: <b>5500SSDD604808LD</b>   |                         | Rev. 3         |
|  |                         | <b>0</b>       |
|  |                         | 3              |

Parts List

This drawing is confidential and must not be reproduced or used without the consent of EXM

Ce dessin est confidentiel et ne doit pas être reproduit ou utilisé sans le consentement de EXM



| No. | Revisions | Date | By/Par |
|-----|-----------|------|--------|
|     |           |      |        |
|     |           |      |        |
|     |           |      |        |
|     |           |      |        |
|     |           |      |        |

Isometric View

|  |                |                           |           |
|--|----------------|---------------------------|-----------|
| Tél: (450) 979-4373<br>Fax: (450) 979-4626<br><a href="http://www.exmweb.com">www.exmweb.com</a> |                | Flatness<br>Aplatissement |           |
|  |                | Max 3.0mm                 |           |
| Customer<br>Client   |                | Projection                |           |
| Date   |                |                           |           |
| Drawn By<br>Dessiné Par  | BoxCad: BoxCad | Date                      | 10-Mar-16 |
| Material<br>Matière 12 Ga Stainless Steel 304 (2.5mm)  |                |                           |           |
| Color<br>Couleur   | Unpainted      | Finish<br>Fini            | Brushed   |
| Description  |                | Detail Rev.               |           |
| 5500SSDD 60" x 48" Flange Door   |                |                           |           |
| Part Number<br>Numéro Pièce  |                | Rev.                      | 1         |
| 5500SSDD604808FD   |                | 0                         | 3         |

SEE BILL OF MATERIAL ON LAST PAGE

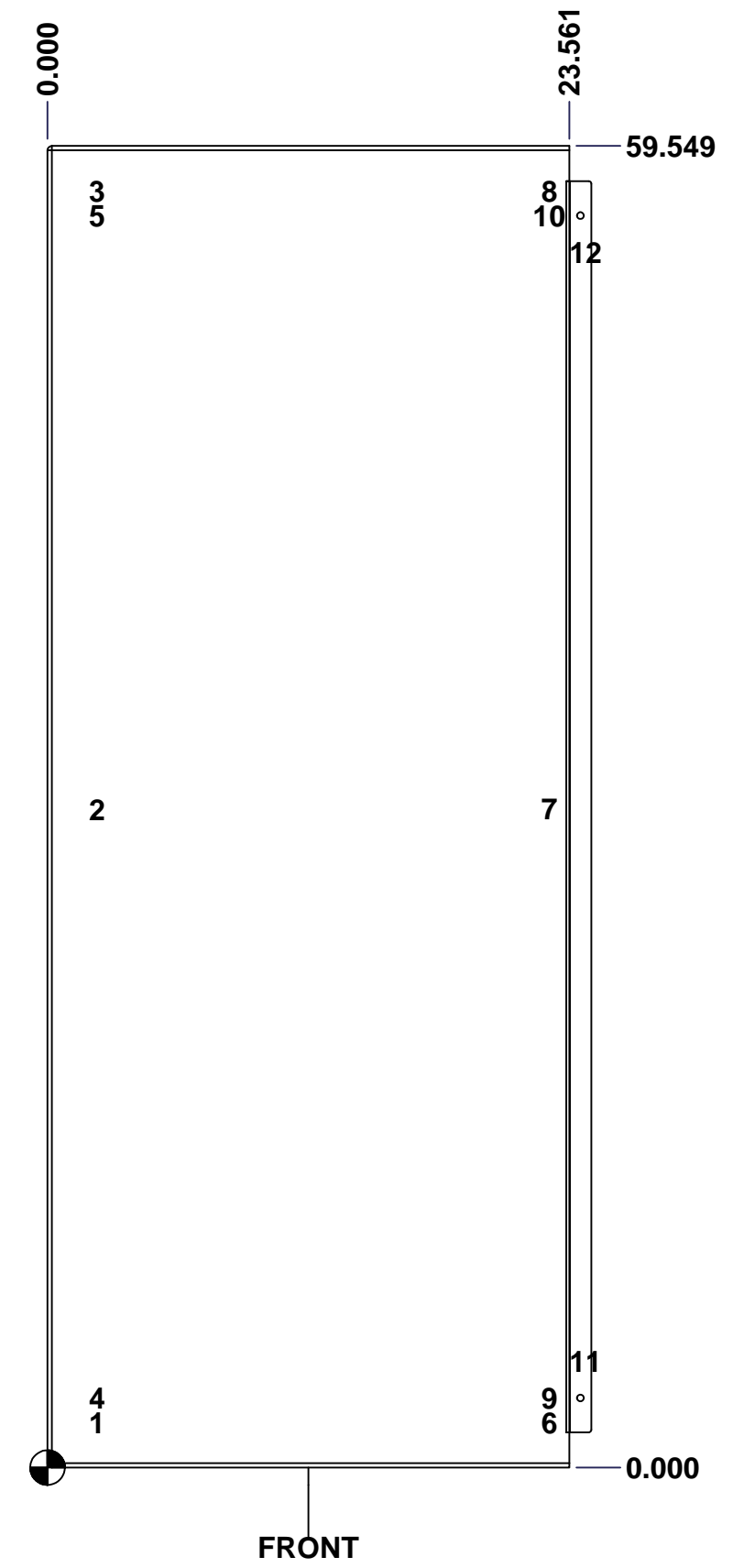
This drawing is confidential and must not be reproduced or used without the consent of EXM

Ce dessin est confidentiel et ne doit pas être reproduit ou utilisé sans le consentement de EXM

**STANDARD FEATURES ARE NOT LISTED IN THIS HOLE TABLE**

**HOLE TABLE - FRONT VIEW (CUSTOM FEATURE ONLY)**

| CUT-OUT | XDIM   | YDIM   | DESCRIPTION                |
|---------|--------|--------|----------------------------|
| 1       | 2.000  | 2.028  | STUD M6 x 18mm (Inside)    |
| 2       | 2.000  | 29.675 | STUD M6 x 18mm (Inside)    |
| 3       | 2.000  | 57.521 | STUD M6 x 18mm (Inside)    |
| 4       | 2.000  | 3.139  | STUD M6 x 18mm (Inside)    |
| 5       | 2.000  | 56.409 | STUD M6 x 18mm (Inside)    |
| 6       | 22.407 | 2.028  | STUD M6 x 18mm (Inside)    |
| 7       | 22.407 | 29.675 | STUD M6 x 18mm (Inside)    |
| 8       | 22.407 | 57.521 | STUD M6 x 18mm (Inside)    |
| 9       | 22.407 | 3.139  | STUD M6 x 18mm (Inside)    |
| 10      | 22.407 | 56.409 | STUD M6 x 18mm (Inside)    |
| 11      | 24.061 | 4.774  | CLOSING BAR GUIDE (Inside) |
| 12      | 24.061 | 54.774 | CLOSING BAR GUIDE (Inside) |
| 13      | 24.061 | 29.774 | STUD M10 x 20mm (Inside)   |



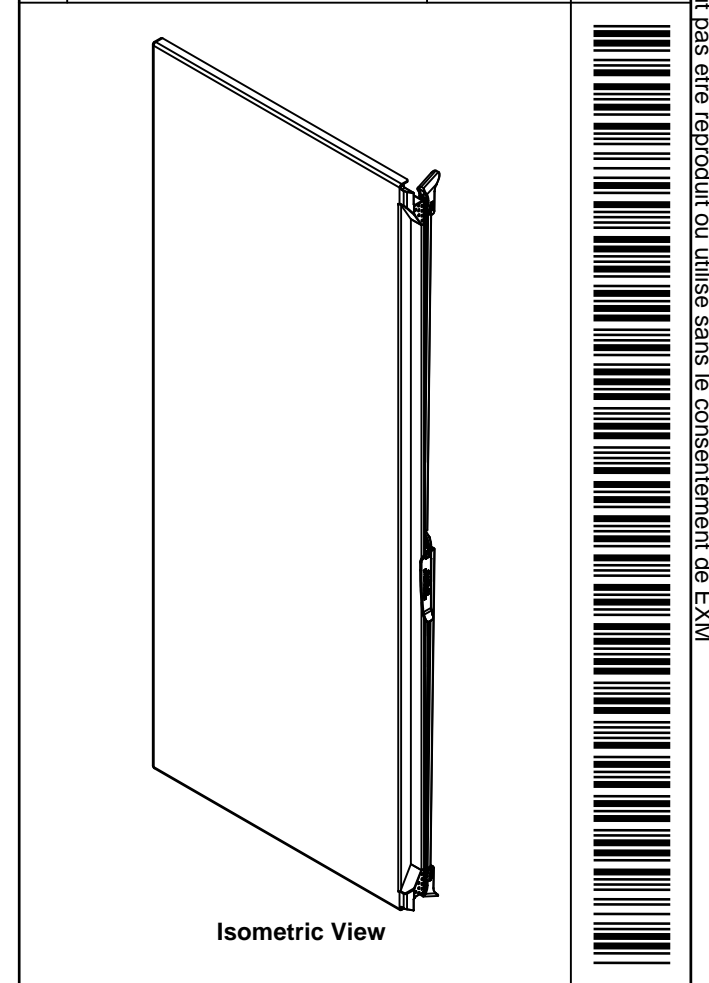
|  |                                |        |
|--|--------------------------------|--------|
|  | Description                    | Status |
|  | 5500SSDD 60" x 48" Flange Door | (NULL) |
| Part Number<br>Numéro Pièce<br><b>5500SSDD604808FD</b> | Rev.                           | 2      |
|  | <b>0</b>                       | 3      |




This drawing is confidential and must not be reproduced or used without the consent of EXM

Ce dessin est confidentiel et ne doit pas être reproduit ou utilisé sans le consentement de EXM

| No. | Revisions | Date | By/Par |
|-----|-----------|------|--------|
|     |           |      |        |
|     |           |      |        |
|     |           |      |        |
|     |           |      |        |
|     |           |      |        |

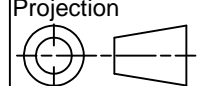


| Qty        | Part Name          | Rev | Description                                |
|------------|--------------------|-----|--|
| 1          | STK-G-03400        | 0   | 5500 DD Lower Flange Door Gasket           |
| 1          | STK-G-03300        | 0   | 5500 DD Upper Flange Door Gasket           |
| 2          | STK-Q-90045        | 0   | Cabinet - Closing Bar End                  |
| 2          | STK-Q-45670-60     | 2   | 5500 DDS - Flange Door Closing Bar         |
| 1          | STK-K-50556        | 4   | 9500 DD - Flange Door Handle Assy          |
| 1          | STK-K-20700        | 3   | 5500 DDS - Flange Door Stiffener Assembly  |
| 1          | STK-Q-16123        | 1   | Stud M10 x 20mm Stainless Steel            |
| 1          | STK-G-00701        | 0   | 1" x 1/4" Self-Adhesive Neoprene Gasket    |
| 1          | 5500SSDD604808FDG  | 0   | 5500SSDD 60" x 48" Flange Door Gasket      |
| 2          | STK-Q-16405        | 6   | Guide Stud - Small (No Paint Cap Required) |
| 10         | STK-Q-16070        | 1   | Stud M6 x 18mm Stainless steel             |
| 1          | 5500SSDD604808FD-P | 0   | 5500SSDD 60" x 48" Flange Door Part        |
| 4          | STK-K-09870        | 7   | Cabinet Hinge with Captive Pins            |
| Qty        | Part Name          | Rev | Description                                |
| Parts List |                    |     |  |



Tél: (450) 979-4373  
Fax: (450) 979-4626  
[www.exmweb.com](http://www.exmweb.com)

Flatness  
Aplatissement  
Max 3.0mm

Projection 

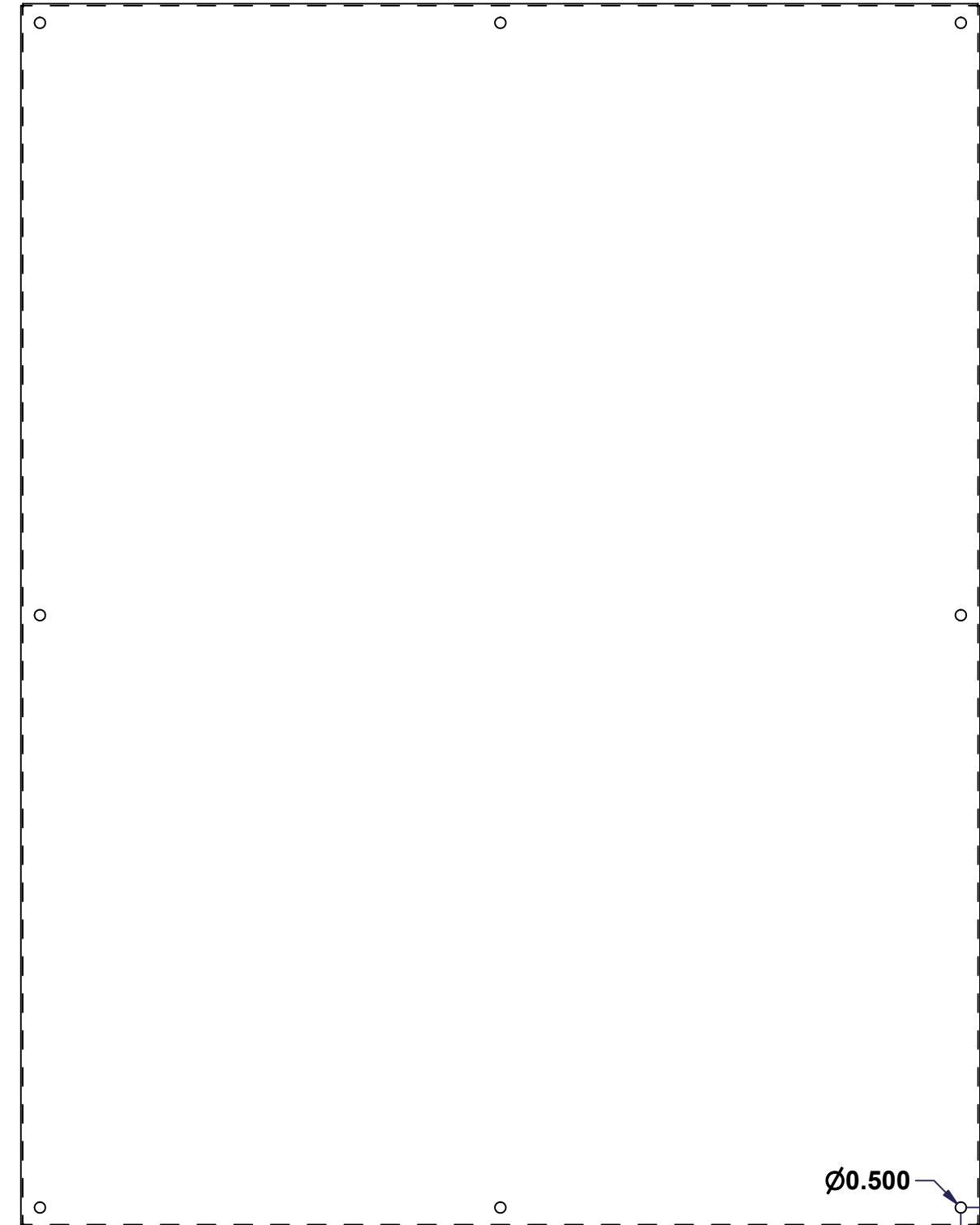
|  |                |                        |
|--|----------------|------------------------|
| Customer Client  |                | Date                   |
| Drawn By<br>Dessiné Par                                | BoxCad: BoxCad | Date 10-Mar-16         |
| Material<br>Matière 12 Ga Stainless Steel 304 (2.5mm)  |                |                        |
| Color<br>Couleur                                       | Unpainted      | Finish<br>Fini Brushed |
| Description<br>5500SSDD 60" x 48" Flange Door          |                | Detail Rev.            |
| Part Number<br>Numéro Pièce<br><b>5500SSDD604808FD</b> |                | Rev. 3<br><b>0</b>     |

This drawing is confidential and must not be reproduced or used without the consent of EXM

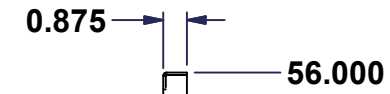
Ce dessin est confidentiel et ne doit pas être reproduit ou utilisé sans le consentement de EXM



TOP



FRONT



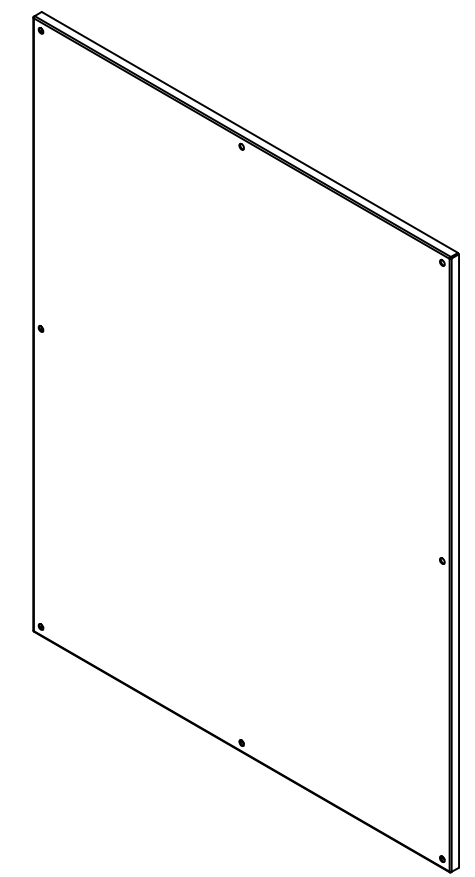
56.000

0.000

RIGHT

SEE BILL OF MATERIAL ON LAST PAGE

| No. | Revisions | Date | By/Par |
|-----|-----------|------|--------|
|     |           |      |        |
|     |           |      |        |
|     |           |      |        |
|     |           |      |        |



Isometric View

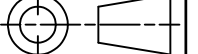


Tél: (450) 979-4373  
 Fax: (450) 979-4626  
 www.exmweb.com

Flatness  
Aplatissement

Max 3.0mm

Projection



|  |                  |
|--|------------------|
| Customer Client                              | Date             |
| Drawn By / Dessiné Par: BoxCad               | Date: 04/11/2009 |
| Material / Matière: 12 Ga Galvanized (2.5mm) |                  |

|                            |                          |
|----------------------------|--------------------------|
| Color / Couleur: Unpainted | Finish / Fini: Unpainted |
|----------------------------|--------------------------|

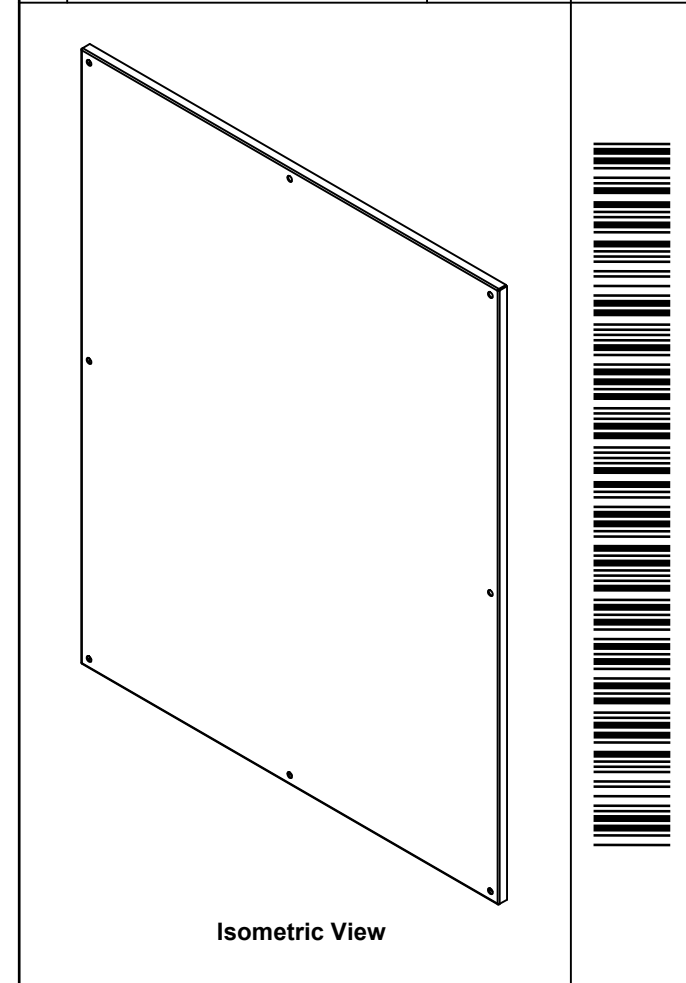
|                                      |             |
|--------------------------------------|-------------|
| Description: 885 SP6048G Inner Panel | Detail Rev. |
|--------------------------------------|-------------|


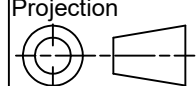
|   |          |   |
|---|----------|---|
| Part Number / Numéro Pièce: <b>885SP6048G</b> | Rev. 1   | 2 |
|   | <b>0</b> |   |

This drawing is confidential and must not be reproduced or used without the consent of EXM

Ce dessin est confidentiel et ne doit pas être reproduit ou utilisé sans le consentement de EXM

| No. | Revisions | Date | By/Par |
|-----|-----------|------|--------|
|     |           |      |        |
|     |           |      |        |
|     |           |      |        |
|     |           |      |        |
|     |           |      |        |



|  |  |  |
|--|--|--|
|  Tél: (450) 979-4373<br>Fax: (450) 979-4626<br>www.exmweb.com |  | Flatness<br>Aplatissement<br>Max 3.0mm |
| Projection<br>  |  | Date                                   |
| Customer<br>Client   |  | Date 04/11/2009                        |
| Drawn By<br>Dessiné Par BoxCad   |  | Date                                   |
| Material<br>Matière 12 Ga Galvanized (2.5mm)   |  |  |
| Color<br>Couleur Unpainted   |  | Finish<br>Fini Unpainted               |
| Description<br>885 SP6048G Inner Panel   |  | Detail Rev.                            |
| Part Number<br>Numéro Pièce<br><b>885SP6048G</b>   |  | Rev. 2<br><b>0</b>                     |

| Qty        | Part Number  | Rev | Description                  |
|------------|--------------|-----|------------------------------|
| 1          | 885SP6048G-P | 0   | 885 SP6048G Inner Panel Part |
| Parts List |              |     |                              |