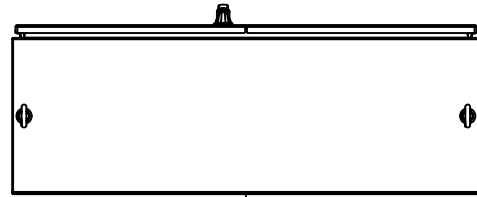
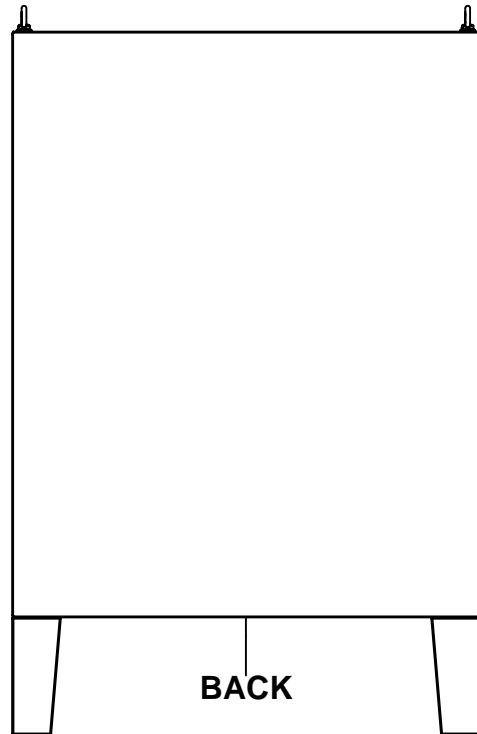


This drawing is confidential and must not be reproduced or used without the consent of EXM

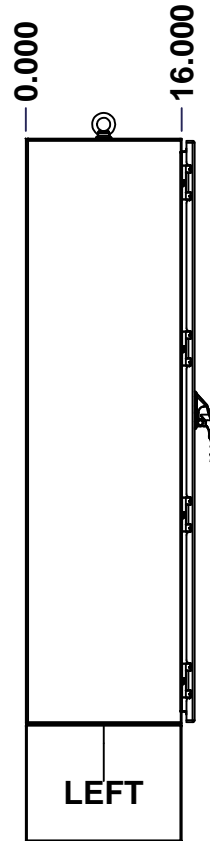
Ce dessin est confidentiel et ne doit pas être reproduit ou utilisé sans le consentement de EXM



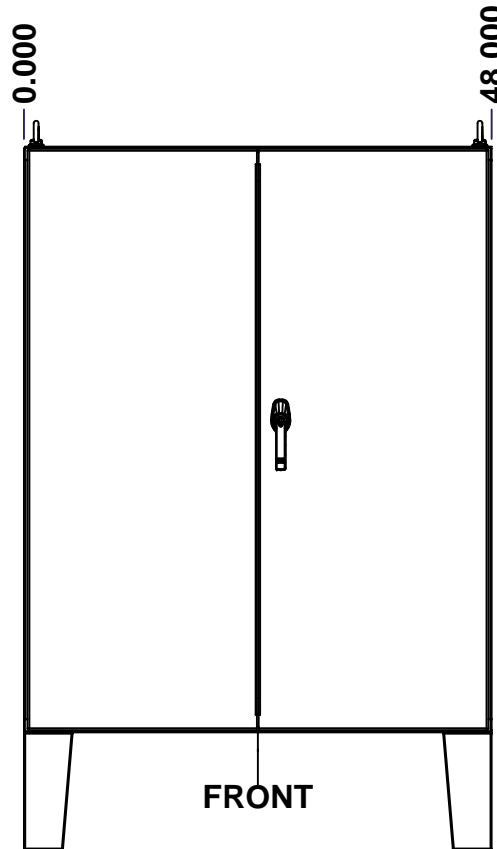
TOP



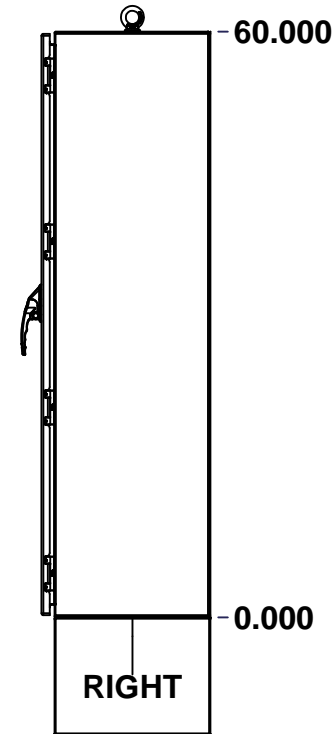
BACK



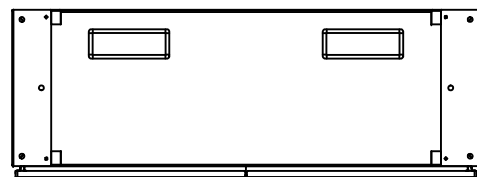
LEFT



FRONT

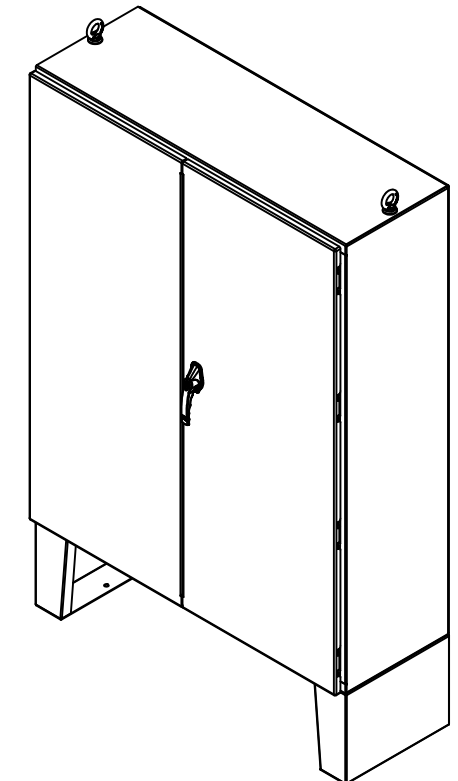


RIGHT



BOTTOM

No.	Revisions	Date	By/Par


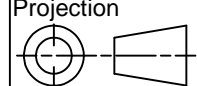


Isometric View



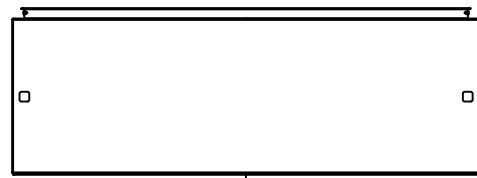
**GRAIN DIRECTION:
TOP/BOTTOM: HORIZONTAL
LEFT/RIGHT/BACK/FRONT: VERTICAL**

SEE BILL OF MATERIAL ON LAST PAGE

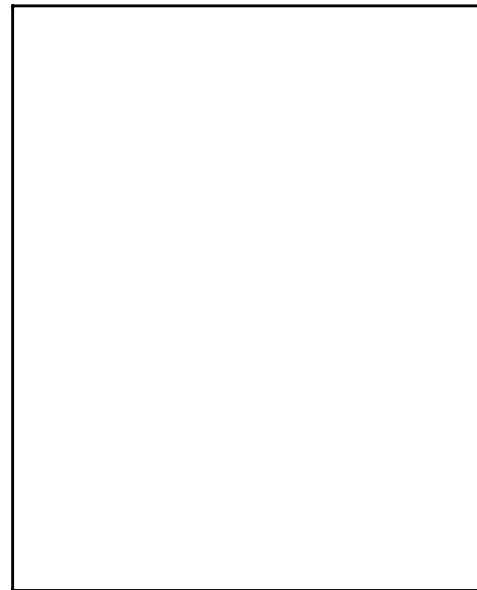
 Tél: (450) 979-4373 Fax: (450) 979-4626 www.exmweb.com		Flatness Aplatissement Max 3.0mm Projection 
Customer Client	Date	Date 10-Mar-16
Drawn By Dessiné Par	BoxCad: BoxCad	
Material Matière	12 Ga Stainless Steel 304 (2.5mm)	
Color Couleur	Unpainted	Finish Fini Brushed
Description	Detail Rev.	
5500SSDD 60" x 48" x 16" Assembly		
Part Number Numéro Pièce	Rev.	1 2
5500SSDD604816		0

This drawing is confidential and must not be reproduced or used without the consent of EXM

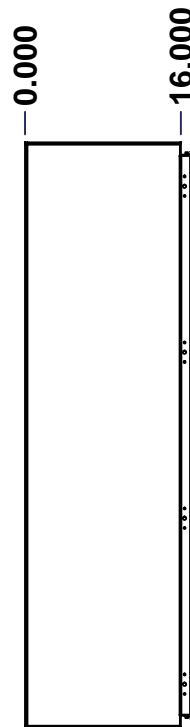
Ce dessin est confidentiel et ne doit pas être reproduit ou utilisé sans le consentement de EXM



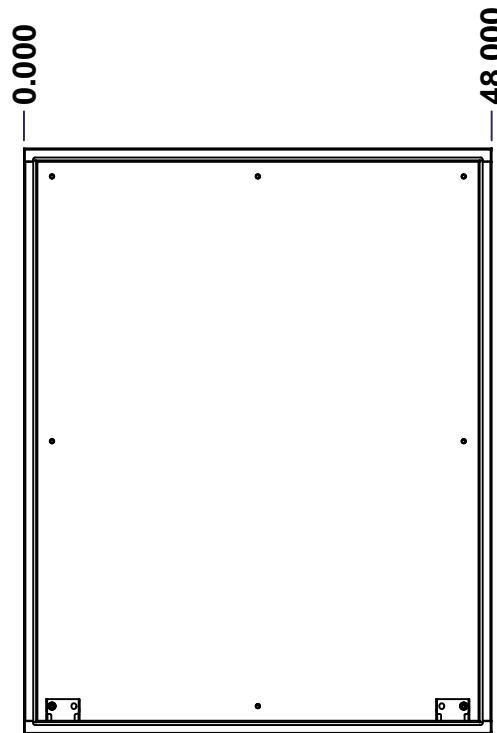
TOP



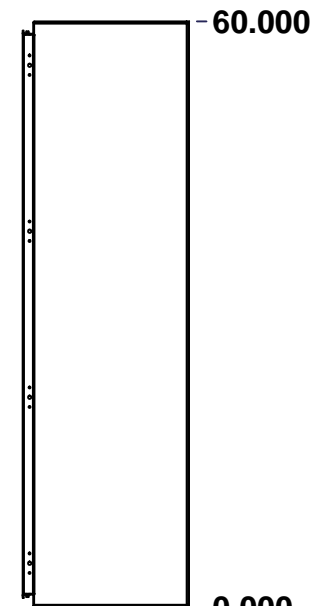
BACK



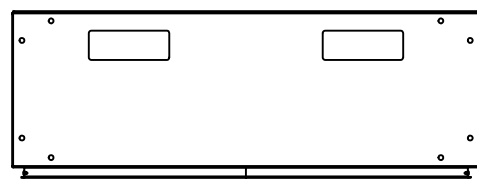
LEFT



FRONT

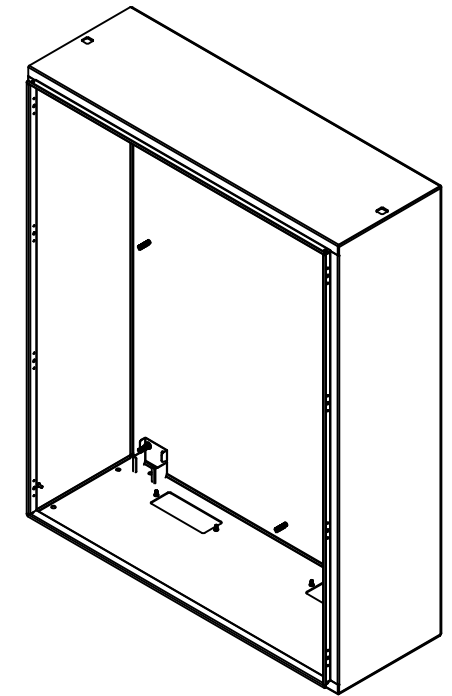


RIGHT



BOTTOM

No.	Revisions	Date	By/Par



Isometric View

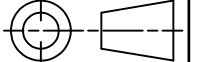


Tél: (450) 979-4373
 Fax: (450) 979-4626
www.exmweb.com

Flatness
Aplatissement

Max 3.0mm

Projection



Customer Client	Date
Drawn By / Dessiné Par: BoxCad: BoxCad	Date: 10-Mar-16
Material / Matière: 12 Ga Stainless Steel 304 (2.5mm)	
Color / Couleur: Unpainted	Finish / Fini: Brushed
Description: 5500SSDD 60" x 48" x 16" Body	Detail Rev.
Part Number / Numéro Pièce: 5500SSDD604816B	Rev. 1/2

SEE BILL OF MATERIAL ON LAST PAGE

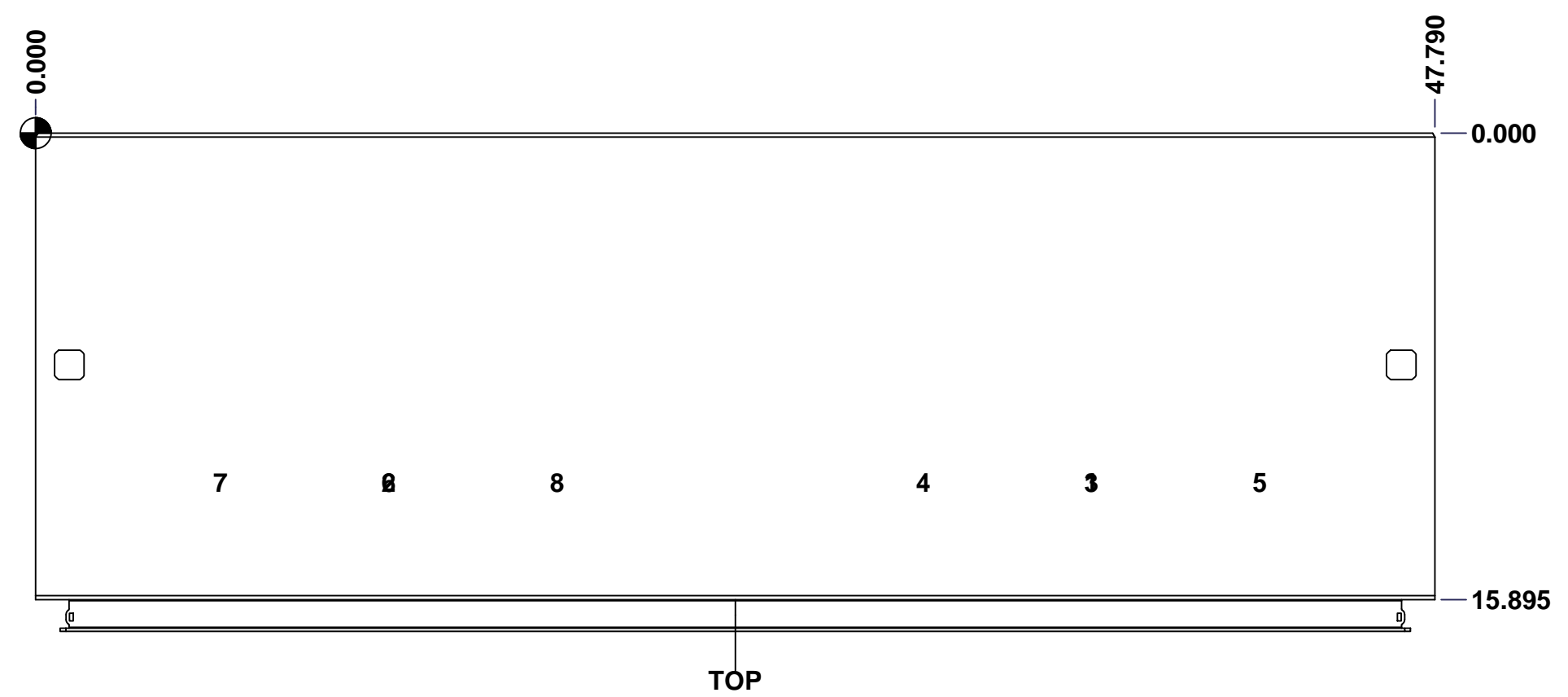
This drawing is confidential and must not be reproduced or used without the consent of EXM

Ce dessin est confidentiel et ne doit pas être reproduit ou utilisé sans le consentement de EXM

STANDARD FEATURES ARE NOT LISTED IN THIS HOLE TABLE

HOLE TABLE - TOP VIEW (CUSTOM FEATURE ONLY)

CUT-OUT	XDIM	YDIM	DESCRIPTION
1	35.895	11.895	Struts CR400 17.500" (Inside)
2	11.895	11.895	Struts CR400 17.500" (Inside)
3	35.895	11.895	STUDS M6 x 10mm (Inside)
4	30.145	11.895	STUDS M6 x 10mm (Inside)
5	41.645	11.895	STUDS M6 x 10mm (Inside)
6	11.895	11.895	STUDS M6 x 10mm (Inside)
7	6.145	11.895	STUDS M6 x 10mm (Inside)
8	17.645	11.895	STUDS M6 x 10mm (Inside)

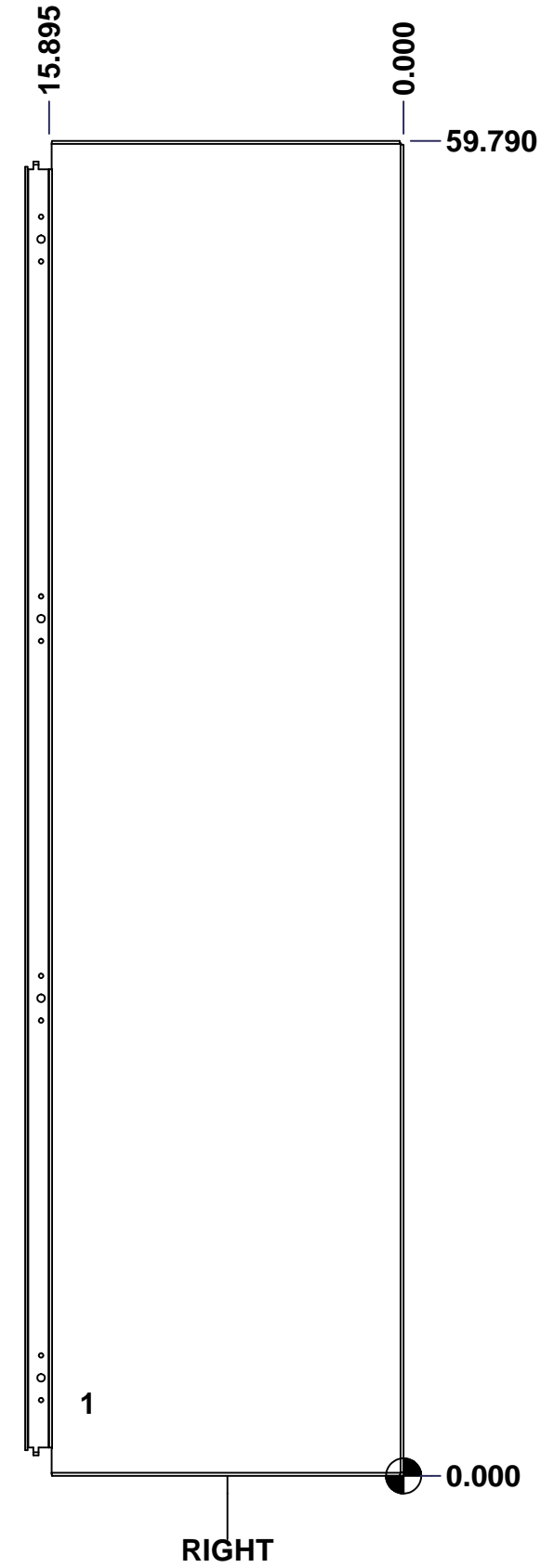


	Description	Status	
	5500SSDD 60" x 48" x 16" Body	Released	
	Part Number Numéro Pièce	Rev.	
	5500SSDD604816B	0	2 / 7

This drawing is confidential and must not be reproduced or used without the consent of EXM

Ce dessin est confidentiel et ne doit pas être reproduit ou utilisé sans le consentement de EXM

STANDARD FEATURES ARE NOT LISTED IN THIS HOLE TABLE			
HOLE TABLE - RIGHT VIEW (CUSTOM FEATURE ONLY)			
CUT-OUT	XDIM	YDIM	DESCRIPTION
1	14.395	3.270	GND STUD M6 x 16mm (Inside)



	Description	Status
	5500SSDD 60" x 48" x 16" Body	Released
	Part Number Numéro Pièce	Rev.
	5500SSDD604816B	0
		3
		7

This drawing is confidential and must not be reproduced or used without the consent of EXM

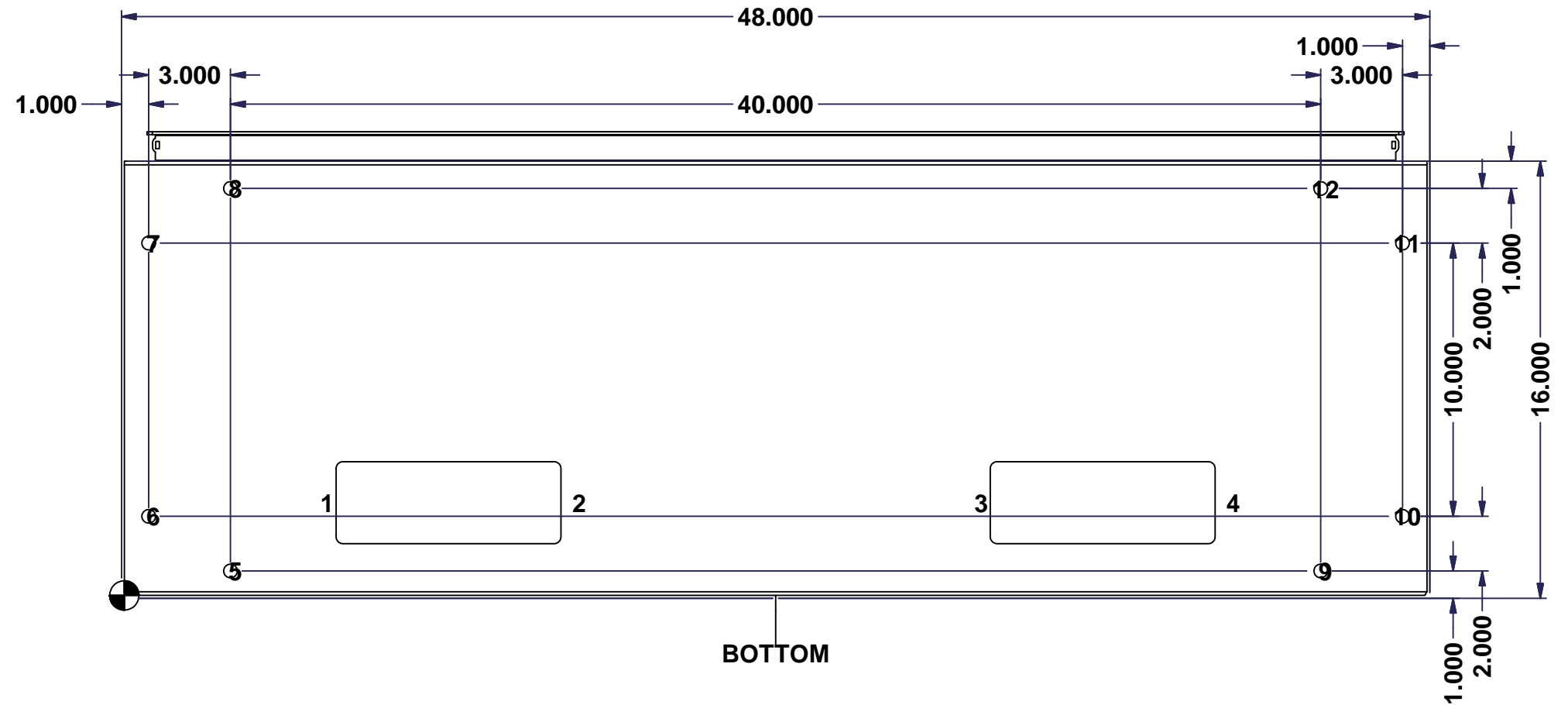
Ce dessin est confidentiel et ne doit pas être reproduit ou utilisé sans le consentement de EXM

STANDARD FEATURES ARE NOT LISTED IN THIS HOLE TABLE

HOLE TABLE - BOTTOM VIEW (CUSTOM FEATURE ONLY)

CUT-OUT	XDIM	YDIM	DESCRIPTION
1	7.270	3.395	GP STUD M6 x 16mm (Inside)
2	16.520	3.395	GP STUD M6 x 16mm (Inside)
3	31.270	3.395	GP STUD M6 x 16mm (Inside)
4	40.520	3.395	GP STUD M6 x 16mm (Inside)

5	3.895	0.895	RND Ø0.500
6	0.895	2.895	RND Ø0.500
7	0.895	12.895	RND Ø0.500
8	3.895	14.895	RND Ø0.500
9	43.895	0.895	RND Ø0.500
10	46.895	2.895	RND Ø0.500
11	46.895	12.895	RND Ø0.500
12	43.895	14.895	RND Ø0.500



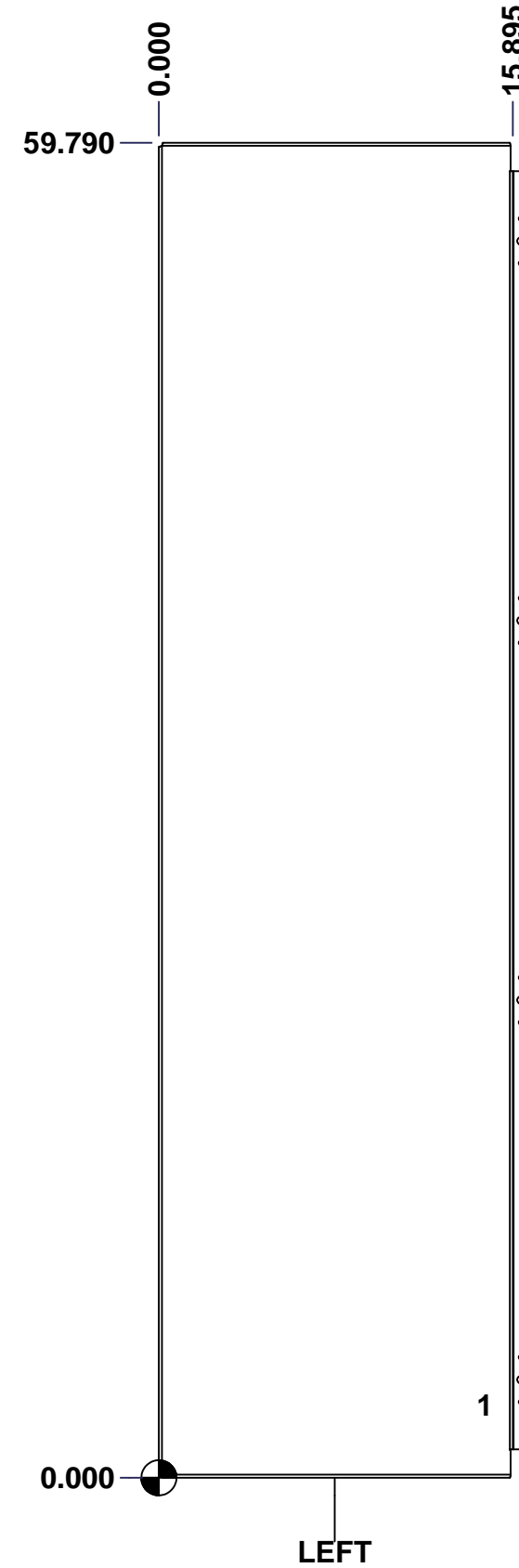
BOTTOM

	Description	Status
	5500SSDD 60" x 48" x 16" Body	Released
	Part Number Numéro Pièce	Rev.
	5500SSDD604816B	0
		4
		7

This drawing is confidential and must not be reproduced or used without the consent of EXM

Ce dessin est confidentiel et ne doit pas être reproduit ou utilisé sans le consentement de EXM

STANDARD FEATURES ARE NOT LISTED IN THIS HOLE TABLE			
HOLE TABLE - LEFT VIEW (CUSTOM FEATURE ONLY)			
CUT-OUT	XDIM	YDIM	DESCRIPTION
1	14.395	3.270	GND STUD M6 x 16mm (Inside)



	Description		Status	
	5500SSDD 60" x 48" x 16" Body		Released	
	Part Number Numéro Pièce		Rev.	5
	5500SSDD604816B		0	7

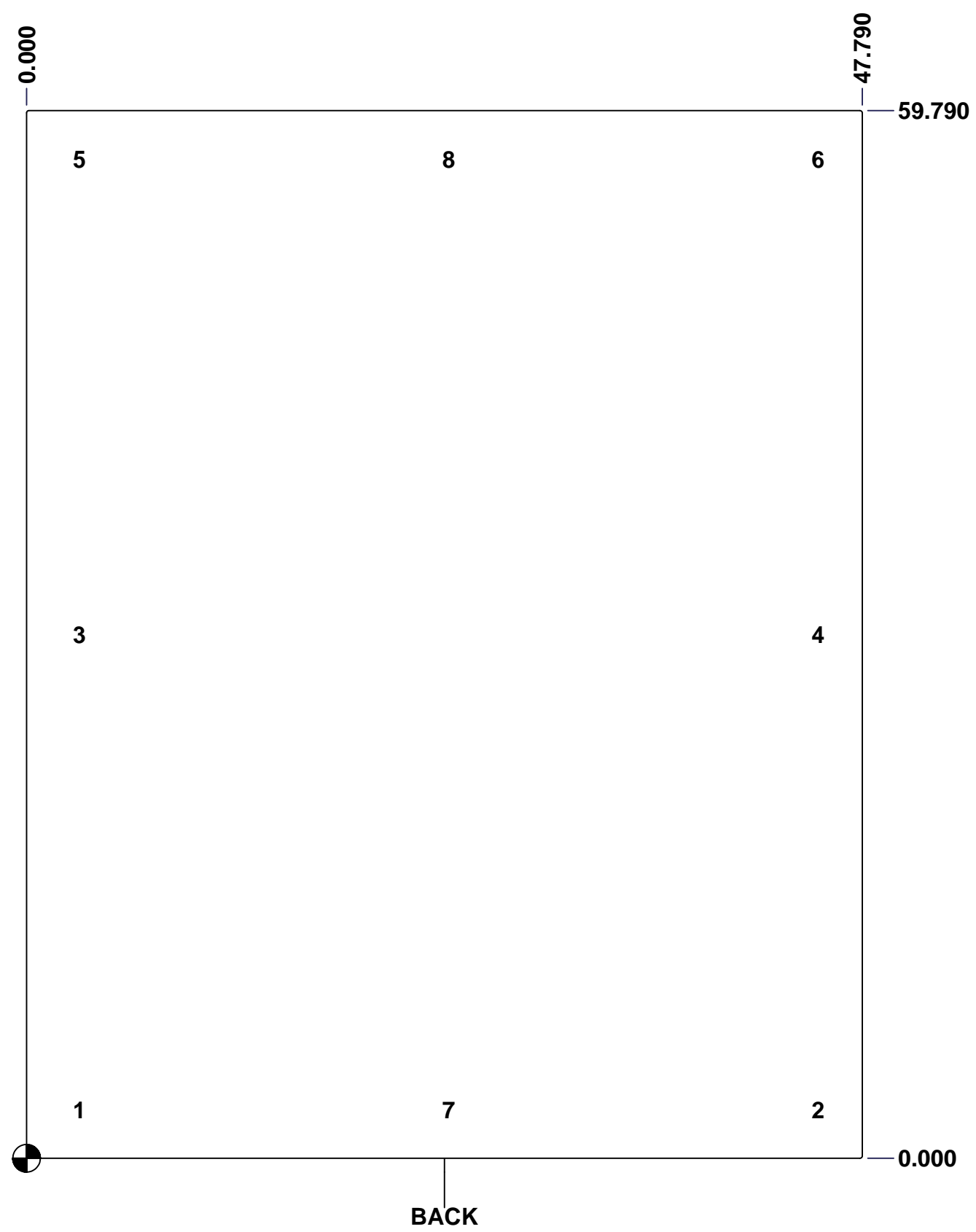
This drawing is confidential and must not be reproduced or used without the consent of EXM

Ce dessin est confidentiel et ne doit pas être reproduit ou utilisé sans le consentement de EXM

STANDARD FEATURES ARE NOT LISTED IN THIS HOLE TABLE

HOLE TABLE - BACK VIEW (CUSTOM FEATURE ONLY)

CUT-OUT	XDIM	YDIM	DESCRIPTION
1	2.770	2.770	IP STUD M10 x 40mm (Inside)
2	45.020	2.770	IP STUD M10 x 40mm (Inside)
3	2.770	29.895	IP STUD M10 x 40mm (Inside)
4	45.020	29.895	IP STUD M10 x 40mm (Inside)
5	2.770	57.020	IP STUD M10 x 40mm (Inside)
6	45.020	57.020	IP STUD M10 x 40mm (Inside)
7	23.895	2.770	IP STUD M10 x 40mm (Inside)
8	23.895	57.020	IP STUD M10 x 40mm (Inside)



	Description		Status	
	5500SSDD 60" x 48" x 16" Body		Released	
Part Number Numéro Pièce		Rev.	6	
5500SSDD604816B		0	7	

This drawing is confidential and must not be reproduced or used without the consent of EXM

Ce dessin est confidentiel et ne doit pas être reproduit ou utilisé sans le consentement de EXM



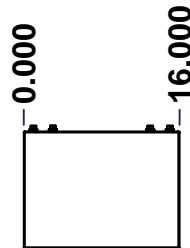
TOP



BACK



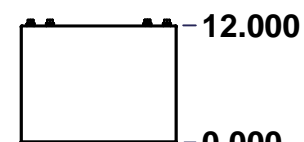
BOTTOM



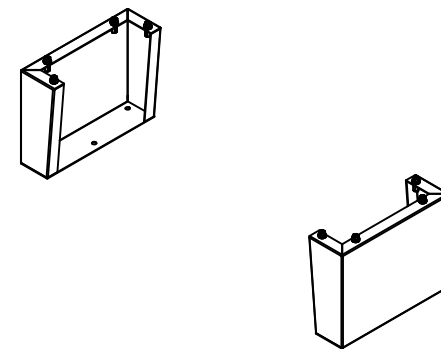
LEFT



FRONT




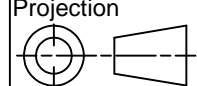
RIGHT



Isometric View



No.	Revisions	Date	By/Par

 Tél: (450) 979-4373 Fax: (450) 979-4626 www.exmweb.com		Flatness Aplatissement Max 3.0mm Projection 
Customer Client	Date	
Drawn By Dessiné Par	BoxCad: BoxCad	Date 10-Mar-16
Material Matière	12 Ga Stainless Steel 304 (2.5mm)	
Color Couleur	Unpainted	Finish Fini Brushed
Description 885 MFHD 12" x 16" Mounting Feet		Detail Rev.
Part Number Numéro Pièce	Rev. 0	1/4

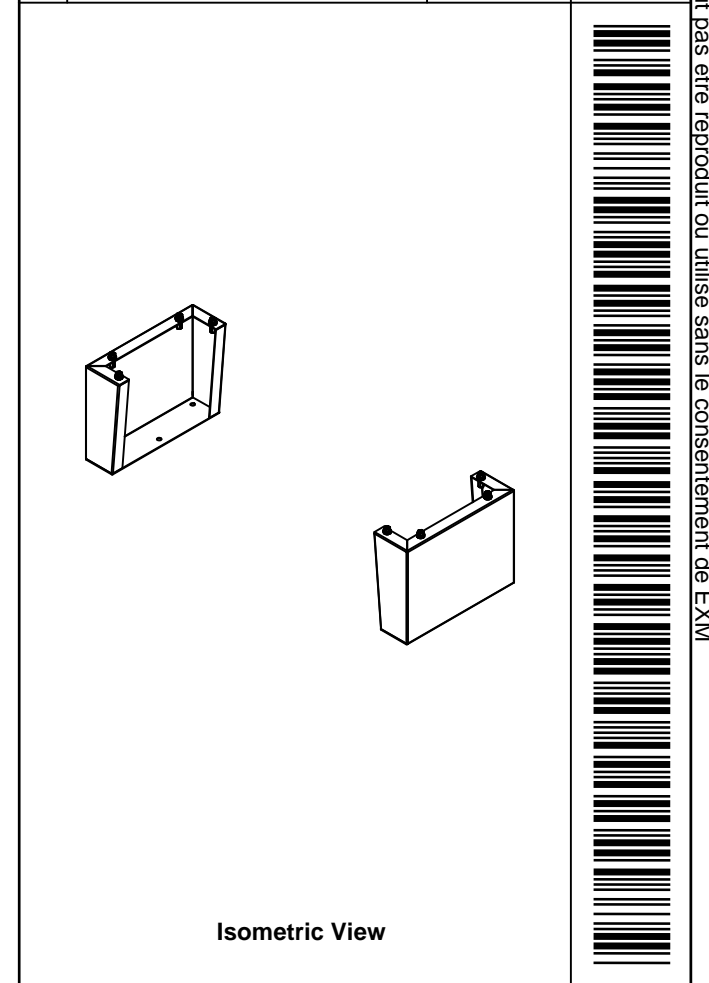
SEE BILL OF MATERIAL ON LAST PAGE


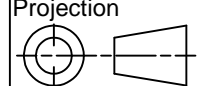
5500SSDD604816MF

This drawing is confidential and must not be reproduced or used without the consent of EXM

Ce dessin est confidentiel et ne doit pas être reproduit ou utilisé sans le consentement de EXM

No.	Revisions	Date	By/Par

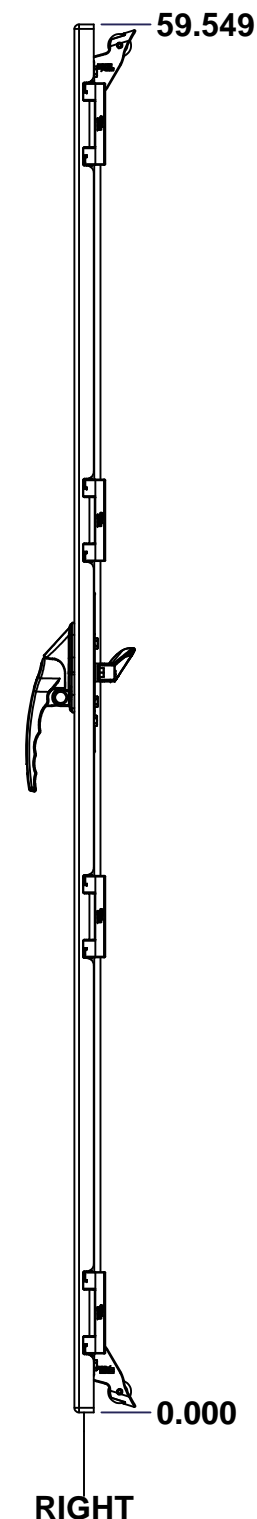
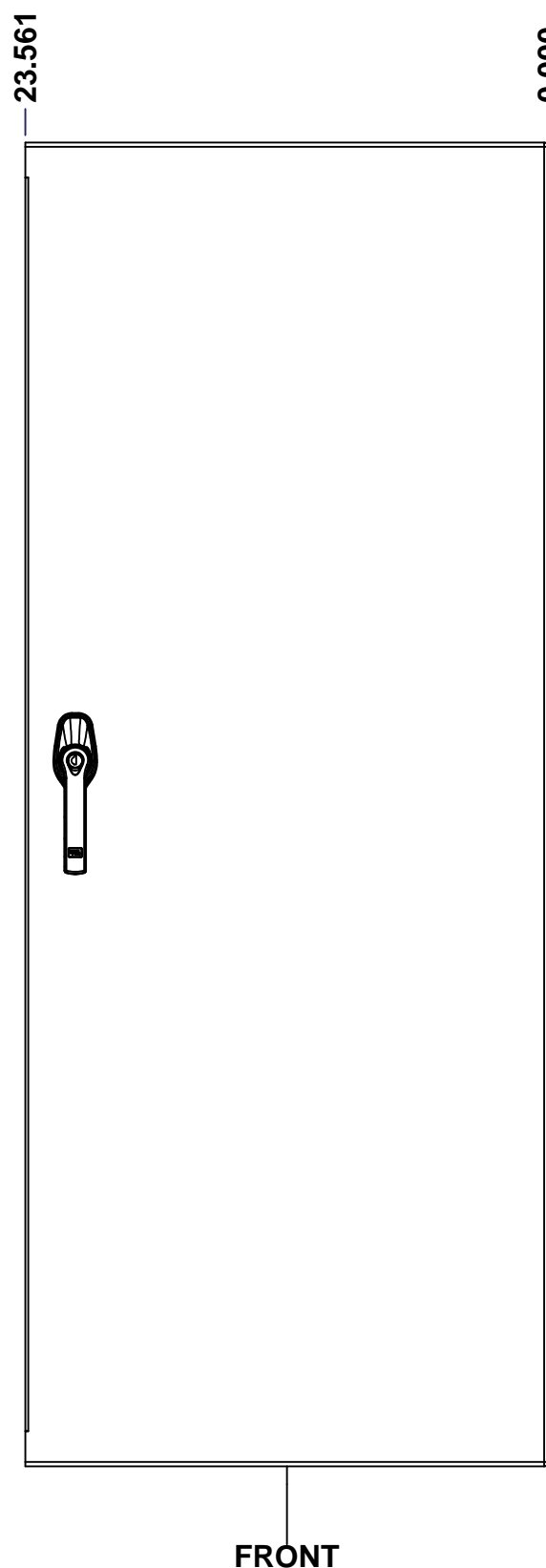
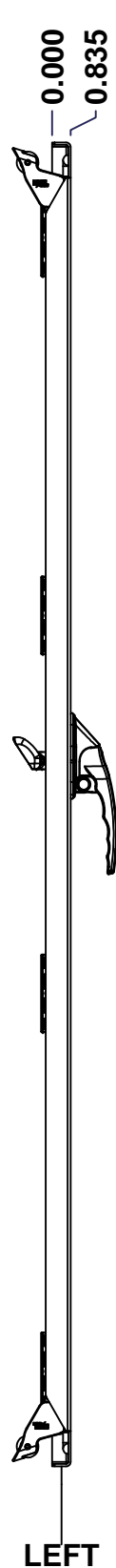
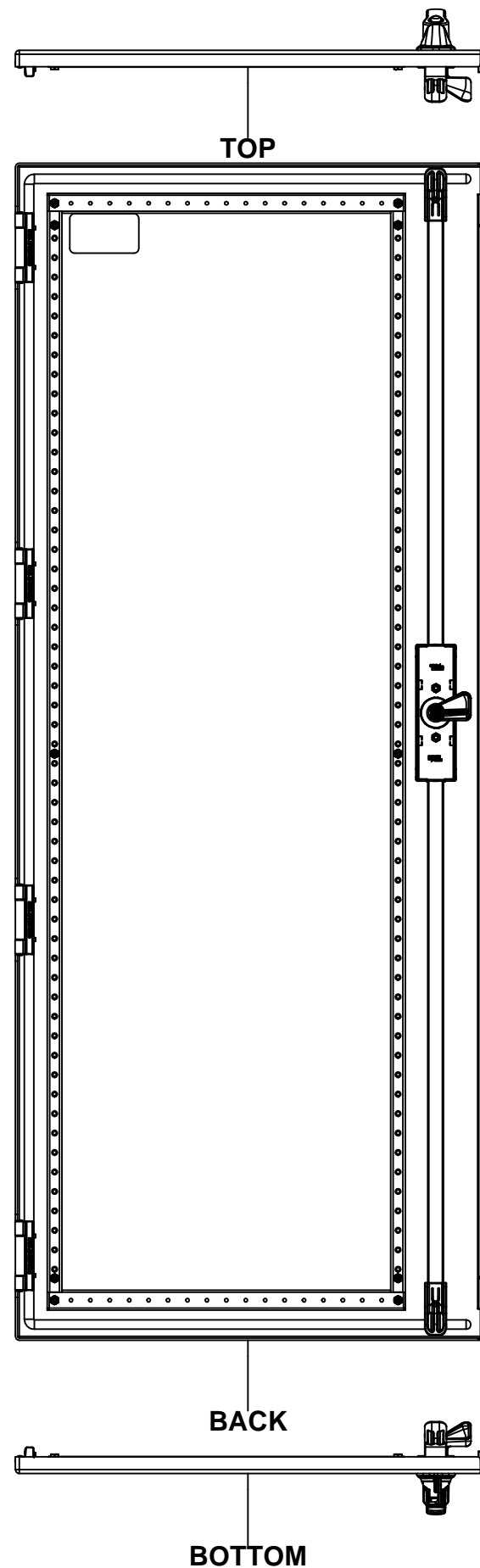


 Tél: (450) 979-4373 Fax: (450) 979-4626 www.exmweb.com		Flatness Aplatissement Max 3.0mm Projection 
Customer Client	Date	
Drawn By Dessiné Par	BoxCad: BoxCad	Date 10-Mar-16
Material Matière	12 Ga Stainless Steel 304 (2.5mm)	
Color Couleur	Unpainted	Finish Fini Brushed
Description		Detail Rev.
885 MFHD 12" x 16" Mounting Feet		
Part Number Numéro Pièce	Rev.	4
5500SSDD604816MF	0	4

Qty	Part Name	Rev	Description
8	RIVET_NUT_SS_M10_FH_CE	0	Stainless Steel Rivet Nut M10 (Low Profile Close End)
1	5500SSDD604816MFR-P	0	885 MFHD 12" x 16" Right Mounting Feet Part
1	5500SSDD604816MFL-P	0	885 MFHD 12" x 16" Left Mounting Feet Part
1	STK-K-11610	2	885 MFSS Accessory Kit
Parts List			

This drawing is confidential and must not be reproduced or used without the consent of EXM

Ce dessin est confidentiel et ne doit pas être reproduit ou utilisé sans le consentement de EXM



No.	Revisions	Date	By/Par

Isometric View

<p>Tél: (450) 979-4373 Fax: (450) 979-4626 www.exmweb.com</p>		Flatness Aplatissement	
		Max 3.0mm	
Customer Client		Projection	
Date			
Drawn By Dessiné Par	BoxCad: BoxCad	Date	10-Mar-16
Material Matière		12 Ga Stainless Steel 304 (2.5mm)	
Color Couleur	Unpainted	Finish Fin	Brushed
Description		Detail Rev.	
5500SSDD 60" x 48" Lock Door			
Part Number Numéro Pièce		Rev.	1
5500SSDD604816LD		0	3

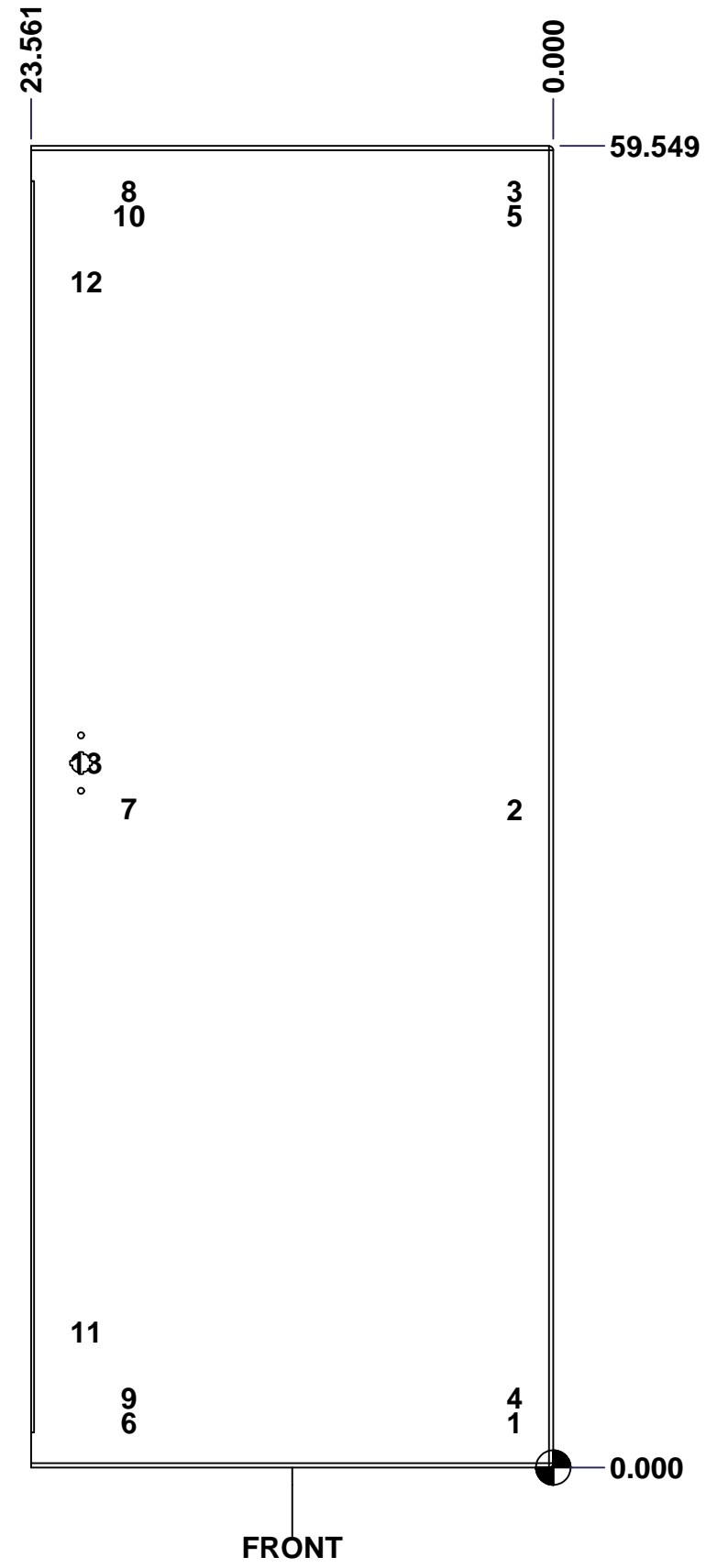
SEE BILL OF MATERIAL ON LAST PAGE

This drawing is confidential and must not be reproduced or used without the consent of EXM

Ce dessin est confidentiel et ne doit pas être reproduit ou utilisé sans le consentement de EXM

STANDARD FEATURES ARE NOT LISTED IN THIS HOLE TABLE			
HOLE TABLE - FRONT VIEW (CUSTOM FEATURE ONLY)			
CUT-OUT	XDIM	YDIM	DESCRIPTION
1	1.983	2.028	STUD M6 x 18mm (Inside)
2	1.983	29.675	STUD M6 x 18mm (Inside)
3	1.983	57.521	STUD M6 x 18mm (Inside)
4	1.983	3.139	STUD M6 x 18mm (Inside)
5	1.983	56.409	STUD M6 x 18mm (Inside)
6	19.390	2.028	STUD M6 x 18mm (Inside)
7	19.390	29.675	STUD M6 x 18mm (Inside)
8	19.390	57.521	STUD M6 x 18mm (Inside)
9	19.390	3.139	STUD M6 x 18mm (Inside)
10	19.390	56.409	STUD M6 x 18mm (Inside)
11	21.311	6.118	STUD M6 x 18mm (Inside)
12	21.311	53.430	STUD M6 x 18mm (Inside)

13	21.311	31.743	HANDLE 885 ESL2A-APHKSS @ 0.0°

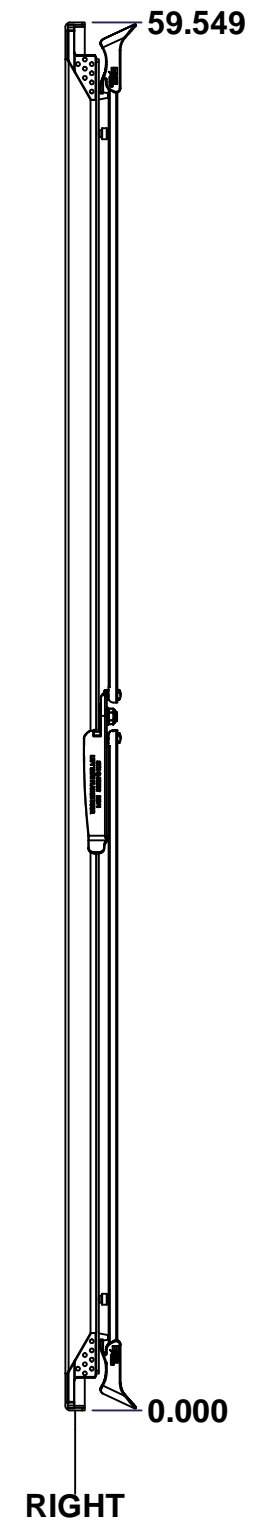
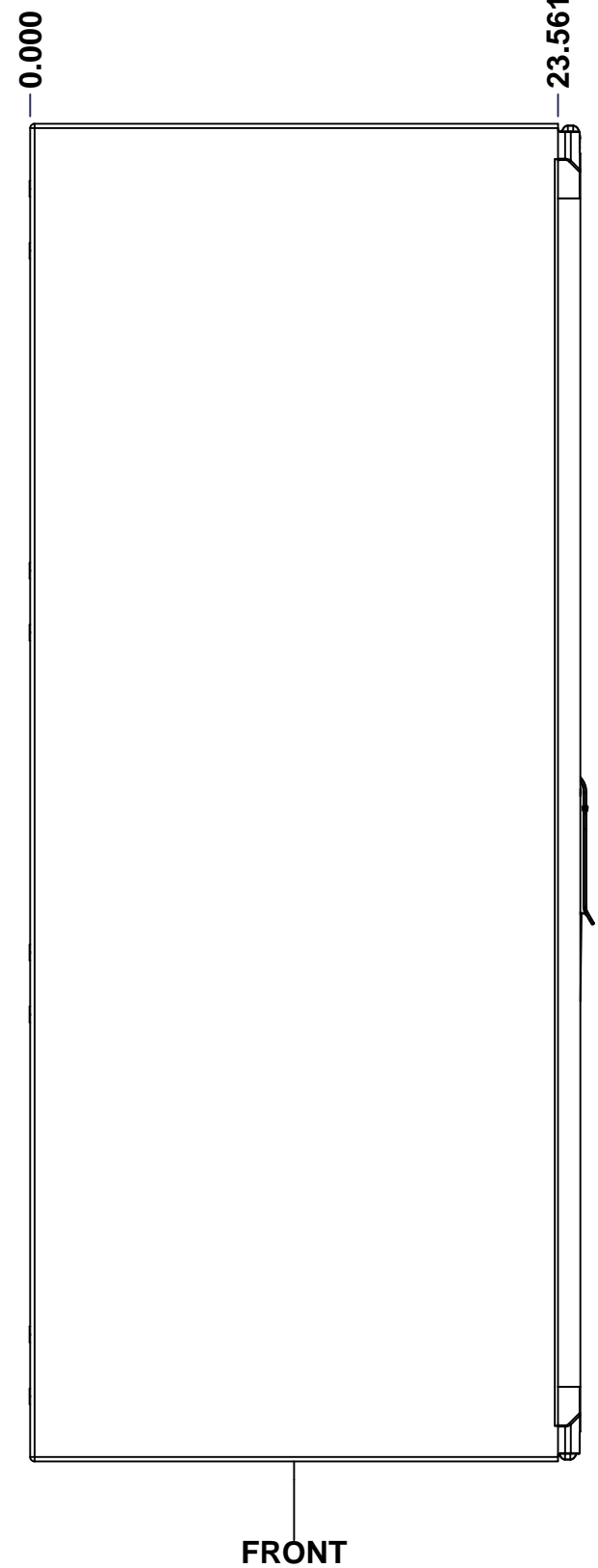
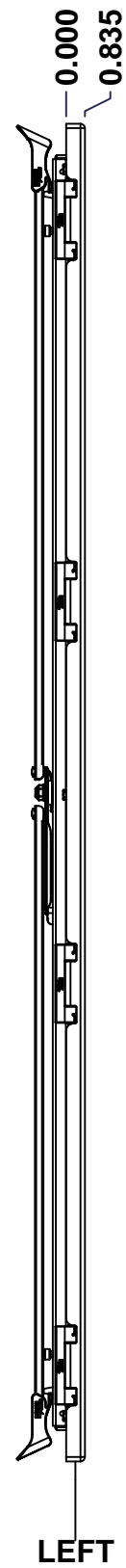
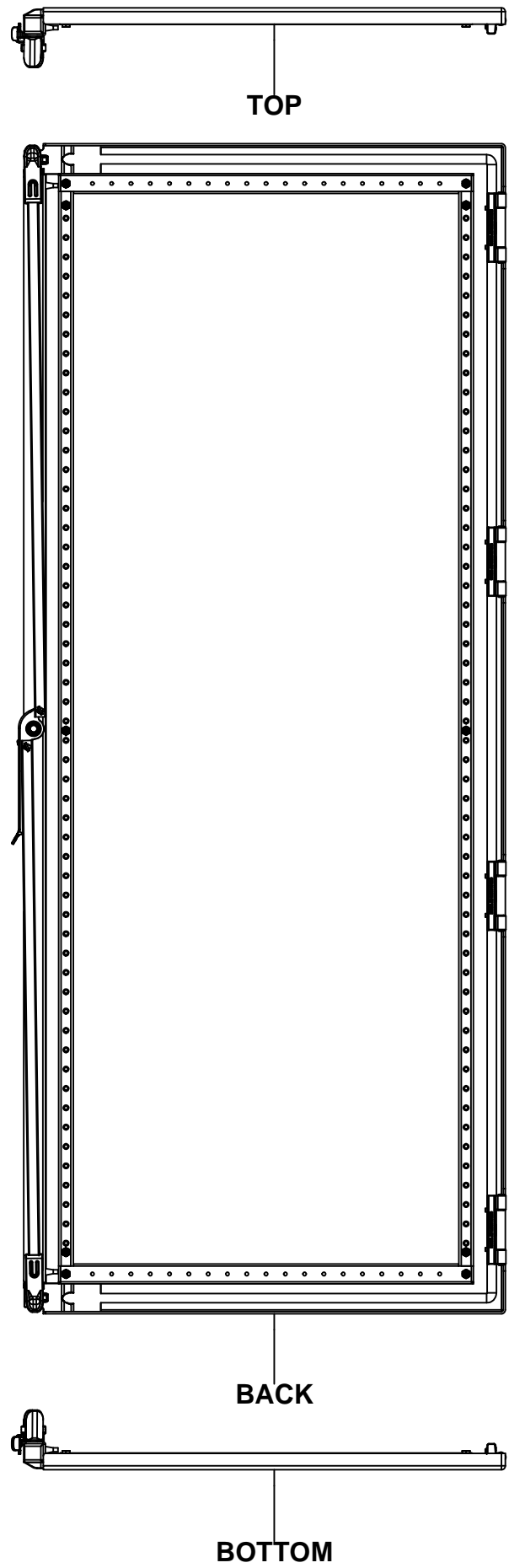


FRONT

	Description	Status
	5500SSDD 60" x 48" Lock Door	(NULL)
	Part Number Numéro Pièce	Rev.
	5500SSDD604816LD	0
		2
		3

This drawing is confidential and must not be reproduced or used without the consent of EXM

Ce dessin est confidentiel et ne doit pas être reproduit ou utilisé sans le consentement de EXM



No.	Revisions	Date	By/Par

Isometric View

<p>Tél: (450) 979-4373 Fax: (450) 979-4626 www.exmweb.com</p>		Flatness Aplatissement	
		Max 3.0mm	
Customer Client		Projection	
Date			
Drawn By Dessiné Par	BoxCad: BoxCad	Date	10-Mar-16
Material Matière: 12 Ga Stainless Steel 304 (2.5mm)			
Color Couleur: Unpainted	Finish Fini: Brushed		
Description 5500SSDD 60" x 48" Flange Door		Detail Rev.	
Part Number Numéro Pièce: 5500SSDD604816FD		Rev.	1
		0	3

SEE BILL OF MATERIAL ON LAST PAGE

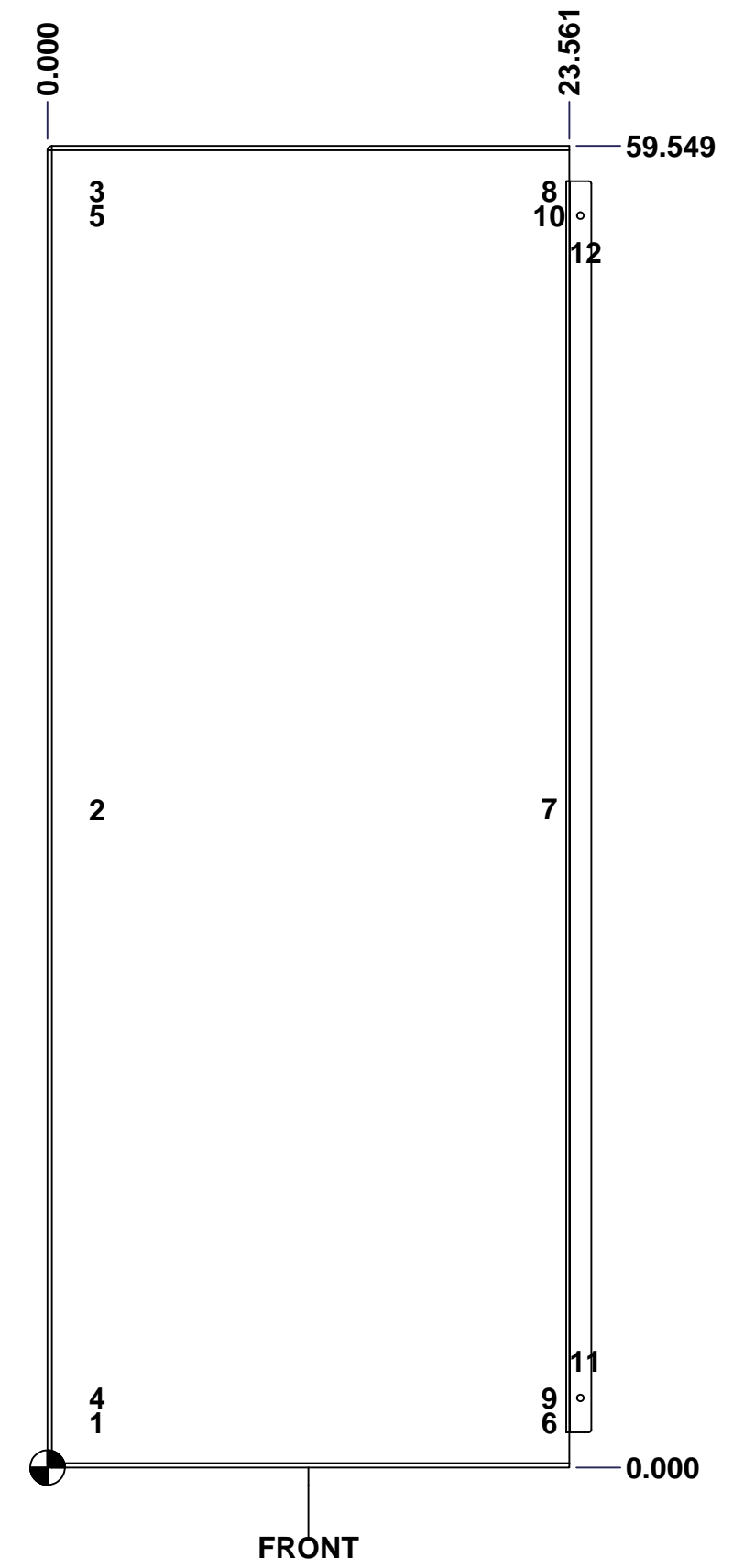
This drawing is confidential and must not be reproduced or used without the consent of EXM

Ce dessin est confidentiel et ne doit pas être reproduit ou utilisé sans le consentement de EXM

STANDARD FEATURES ARE NOT LISTED IN THIS HOLE TABLE

HOLE TABLE - FRONT VIEW (CUSTOM FEATURE ONLY)

CUT-OUT	XDIM	YDIM	DESCRIPTION
1	2.000	2.028	STUD M6 x 18mm (Inside)
2	2.000	29.675	STUD M6 x 18mm (Inside)
3	2.000	57.521	STUD M6 x 18mm (Inside)
4	2.000	3.139	STUD M6 x 18mm (Inside)
5	2.000	56.409	STUD M6 x 18mm (Inside)
6	22.407	2.028	STUD M6 x 18mm (Inside)
7	22.407	29.675	STUD M6 x 18mm (Inside)
8	22.407	57.521	STUD M6 x 18mm (Inside)
9	22.407	3.139	STUD M6 x 18mm (Inside)
10	22.407	56.409	STUD M6 x 18mm (Inside)
11	24.061	4.774	CLOSING BAR GUIDE (Inside)
12	24.061	54.774	CLOSING BAR GUIDE (Inside)
13	24.061	29.774	STUD M10 x 20mm (Inside)

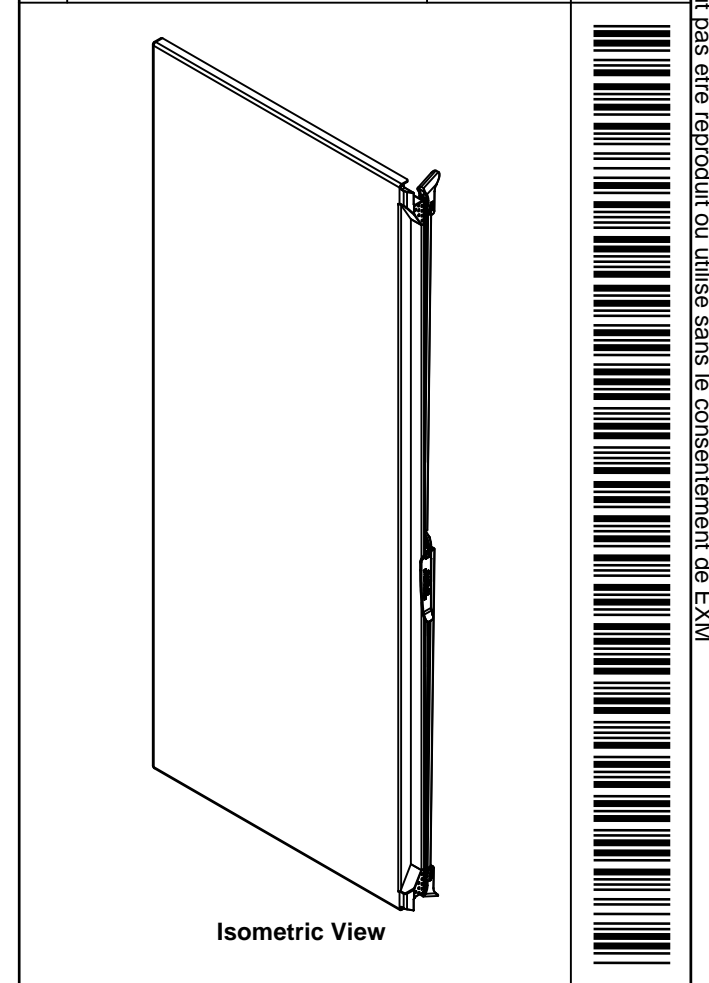


	Description	Status
	5500SSDD 60" x 48" Flange Door	(NULL)
Part Number Numéro Pièce 5500SSDD604816FD	Rev.	2
	0	3


This drawing is confidential and must not be reproduced or used without the consent of EXM

Ce dessin est confidentiel et ne doit pas être reproduit ou utilisé sans le consentement de EXM

No.	Revisions	Date	By/Par

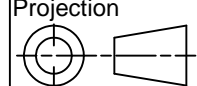


Qty	Part Name	Rev	Description
1	STK-G-03400	0	5500 DD Lower Flange Door Gasket
1	STK-G-03300	0	5500 DD Upper Flange Door Gasket
2	STK-Q-90045	0	Cabinet - Closing Bar End
2	STK-Q-45670-60	2	5500 DDS - Flange Door Closing Bar
1	STK-K-50556	4	9500 DD - Flange Door Handle Assy
1	STK-K-20700	3	5500 DDS - Flange Door Stiffener Assembly
1	STK-Q-16123	1	Stud M10 x 20mm Stainless Steel
1	STK-G-00701	0	1" x 1/4" Self-Adhesive Neoprene Gasket
1	5500SSDD604816FDG	0	5500SSDD 60" x 48" Flange Door Gasket
2	STK-Q-16405	6	Guide Stud - Small (No Paint Cap Required)
10	STK-Q-16070	1	Stud M6 x 18mm Stainless steel
1	5500SSDD604816FD-P	0	5500SSDD 60" x 48" Flange Door Part
4	STK-K-09870	7	Cabinet Hinge with Captive Pins
Qty	Part Name	Rev	Description
Parts List			



Tél: (450) 979-4373
Fax: (450) 979-4626
www.exmweb.com

Flatness
Aplatissement
Max 3.0mm

Projection 

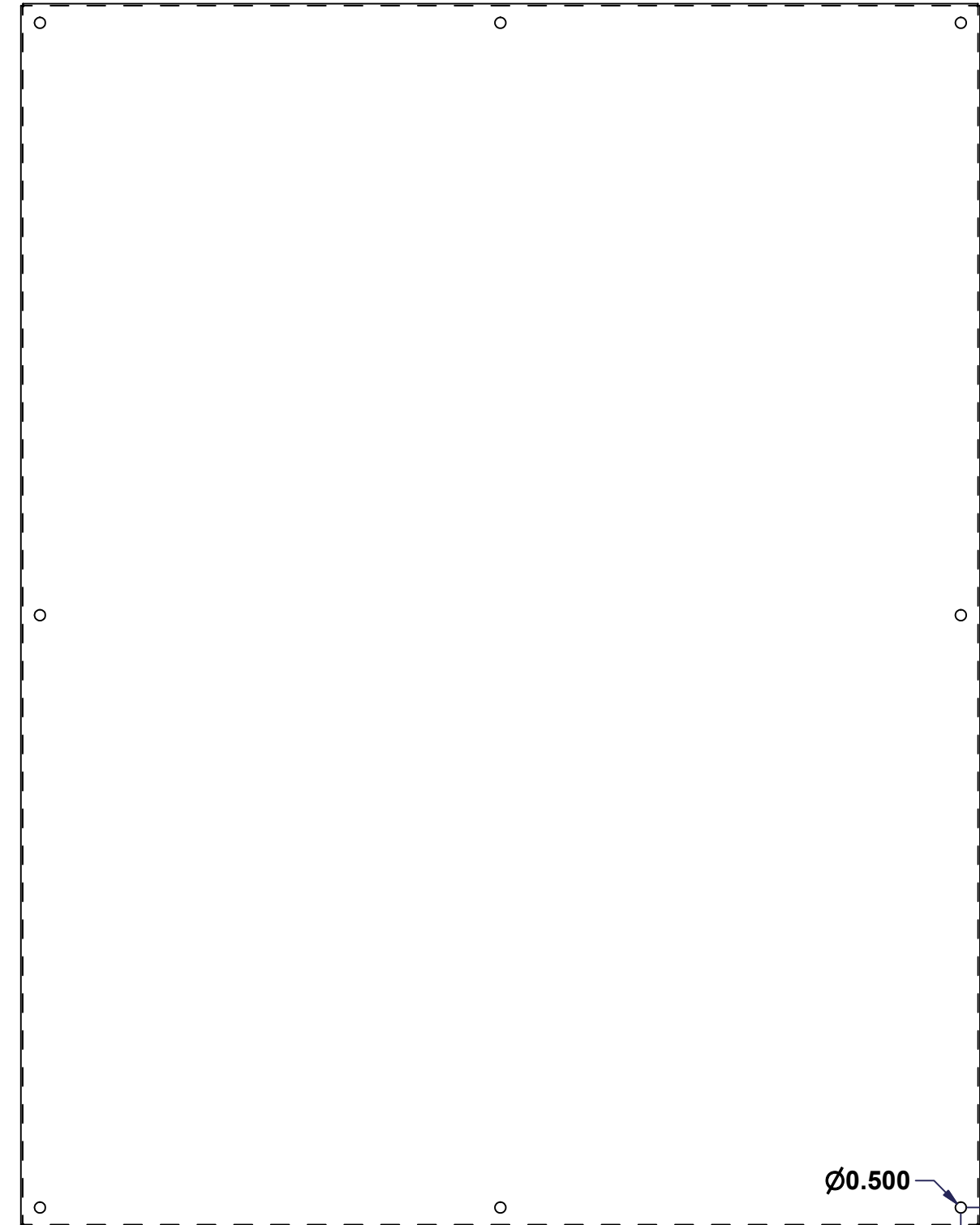
Customer Client		Date
Drawn By Dessiné Par	BoxCad: BoxCad	Date 10-Mar-16
Material Matière 12 Ga Stainless Steel 304 (2.5mm)		
Color Couleur	Unpainted	Finish Fini Brushed
Description 5500SSDD 60" x 48" Flange Door		Detail Rev.
Part Number Numéro Pièce 5500SSDD604816FD		Rev. 3 0

This drawing is confidential and must not be reproduced or used without the consent of EXM

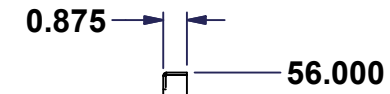
Ce dessin est confidentiel et ne doit pas être reproduit ou utilisé sans le consentement de EXM



TOP



FRONT



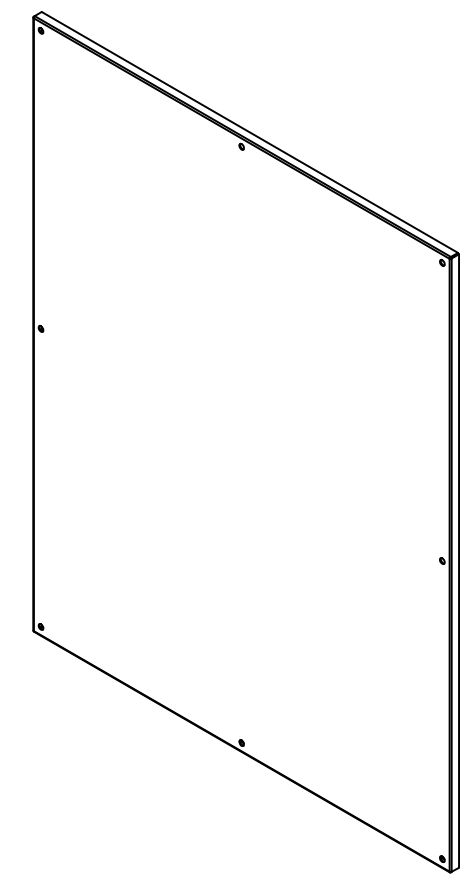
56.000

0.000

RIGHT

SEE BILL OF MATERIAL ON LAST PAGE

No.	Revisions	Date	By/Par



Isometric View

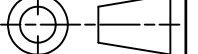


Tél: (450) 979-4373
 Fax: (450) 979-4626
 www.exmweb.com

Flatness
Aplatissement

Max 3.0mm

Projection



Customer Client	Date
Drawn By Dessiné Par BoxCad	Date 04/11/2009
Material Matière	12 Ga Galvanized (2.5mm)

Color Couleur Unpainted	Finish Fini Unpainted
----------------------------	--------------------------

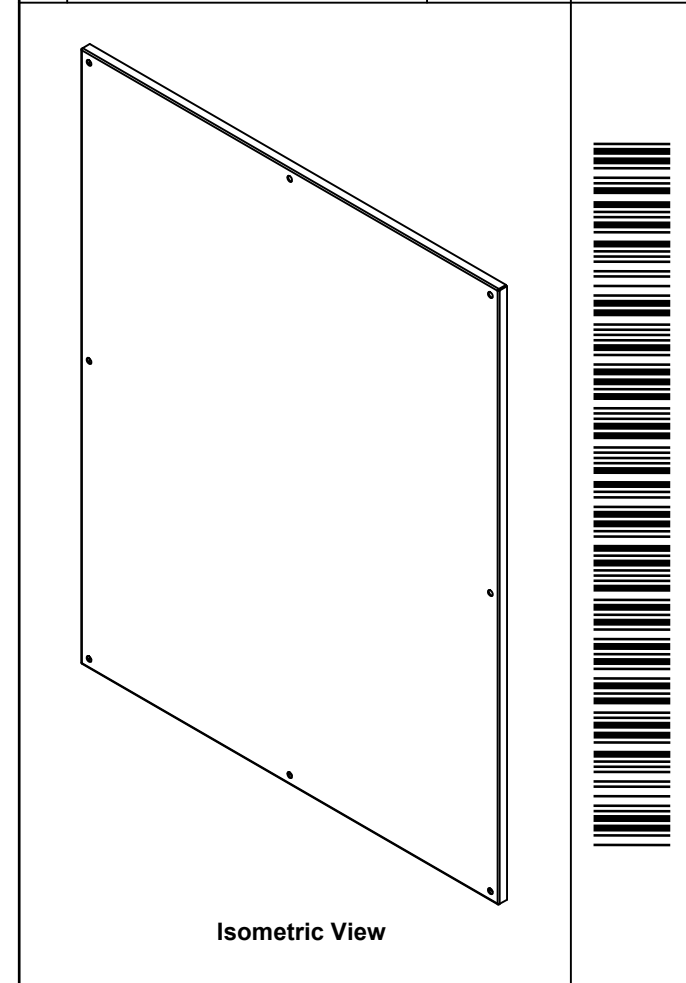
Description	Detail Rev.
885 SP6048G Inner Panel	


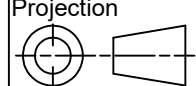
Part Number Numéro Pièce	Rev.	1
885SP6048G	0	2

This drawing is confidential and must not be reproduced or used without the consent of EXM

Ce dessin est confidentiel et ne doit pas être reproduit ou utilisé sans le consentement de EXM

No.	Revisions	Date	By/Par



 Tél: (450) 979-4373 Fax: (450) 979-4626 www.exmweb.com		Flatness Aplatissement Max 3.0mm
Customer Client		Projection 
Drawn By Dessiné Par BoxCad		Date 04/11/2009
Material Matière 12 Ga Galvanized (2.5mm)		
Color Couleur Unpainted	Finish Fini Unpainted	
Description 885 SP6048G Inner Panel		Detail Rev.
Part Number Numéro Pièce 885SP6048G		Rev. 0 / 2

Qty	Part Number	Rev	Description
1	885SP6048G-P	0	885 SP6048G Inner Panel Part
Parts List			