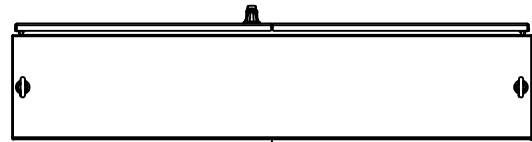
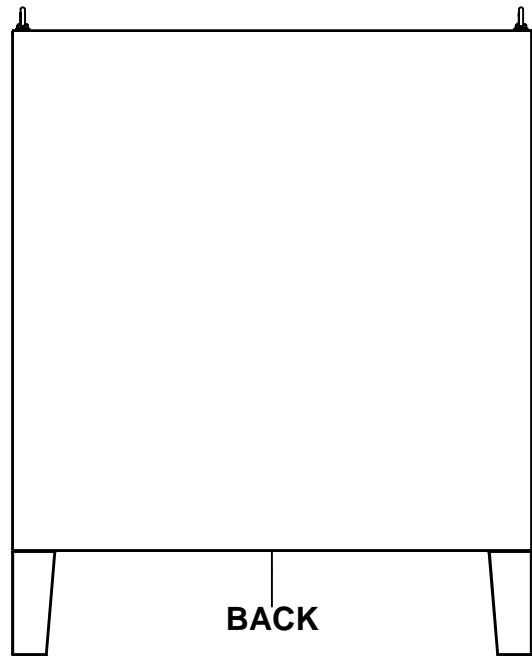


This drawing is confidential and must not be reproduced or used without the consent of EXM

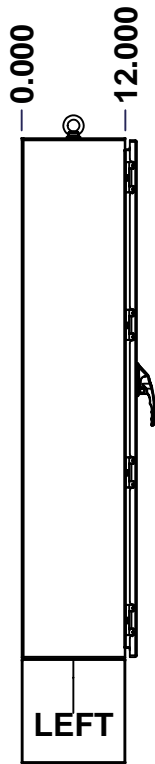
Ce dessin est confidentiel et ne doit pas être reproduit ou utilisé sans le consentement de EXM



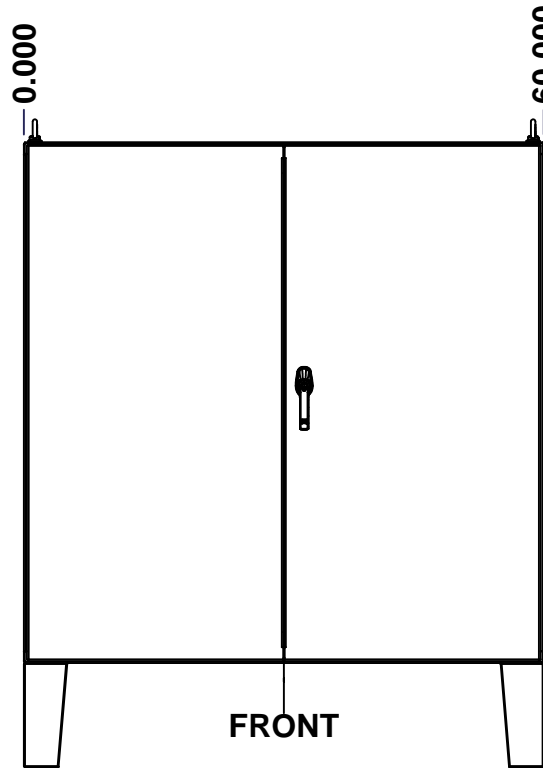
TOP



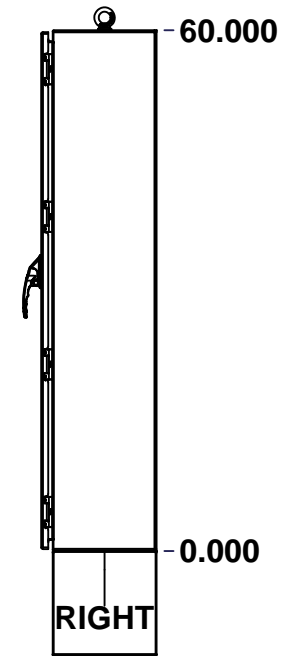
BACK



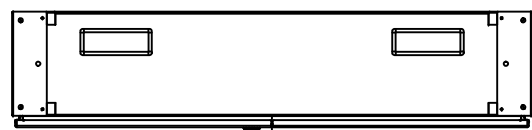
LEFT



FRONT

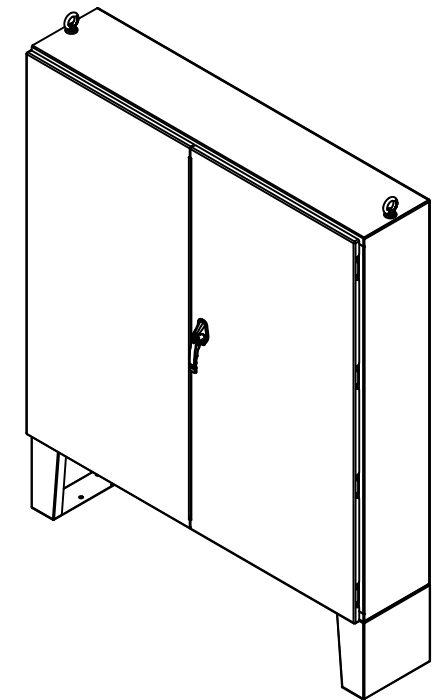


RIGHT



BOTTOM

No.	Revisions	Date	By/Par


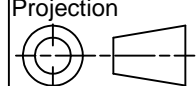


Isometric View



**GRAIN DIRECTION:
TOP/BOTTOM: HORIZONTAL
LEFT/RIGHT/BACK/FRONT: VERTICAL**

SEE BILL OF MATERIAL ON LAST PAGE

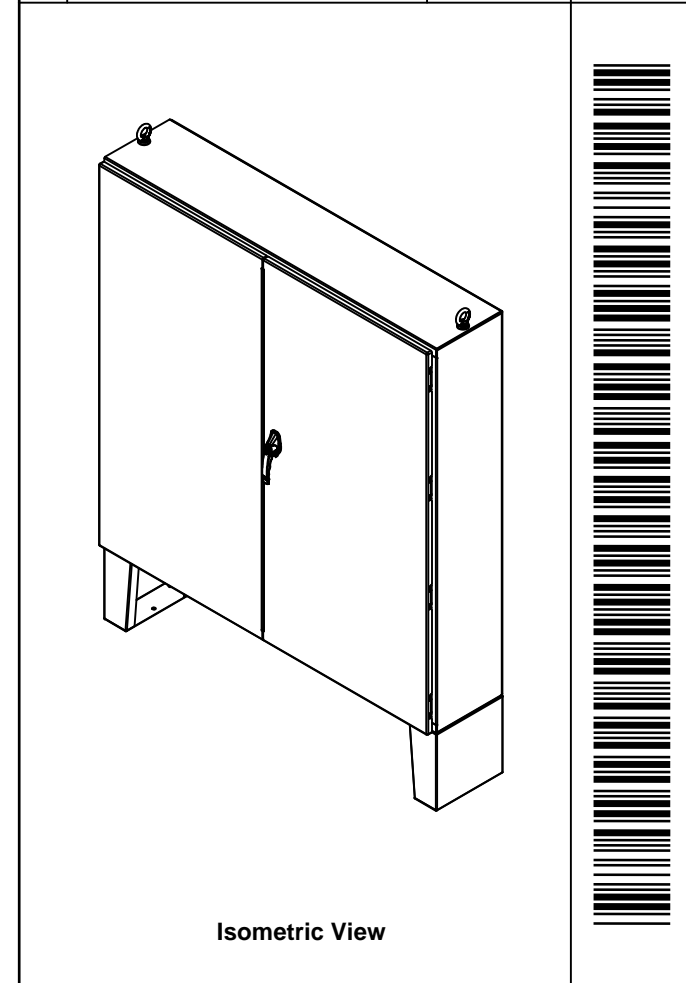
 Tél: (450) 979-4373 Fax: (450) 979-4626 www.exmweb.com		Flatness Aplatissement Max 3.0mm Projection 
Customer Client	Date	Date 10-Mar-16
Drawn By Dessiné Par	BoxCad: BoxCad	
Material Matière	12 Ga Stainless Steel 304 (2.5mm)	
Color Couleur	Unpainted	Finish Fini Brushed
Description	Detail Rev.	
5500SSDD 60" x 60" x 12" Assembly		
Part Number Numéro Pièce	Rev.	1 2
5500SSDD606012		0

This drawing is confidential and must not be reproduced or used without the consent of EXM

Ce dessin est confidentiel et ne doit pas être reproduit ou utilisé sans le consentement de EXM

NOTE	
ITEM	DESCRIPTION
1	NEMA 12/13 Enclosure
2	C/W Standard ground studs on box and cover
3	C/W Standard door stiffener
4	C/W Standard inner panel (Included)
5	C/W Standard inner panel mounting studs
6	C/W Mounting feet sold separately (Installed)
7	C/W Struts installed (Included)
8	C/W Eyebolts

No.	Revisions	Date	By/Par



PACKING		
ITEM	QTY	DESCRIPTION
Cardboard sleeve	2	Top and Bottom
Cardboard strip	2	Between back of enclosure and inner panel
Plastic bag	1	To protect cover surface and inside gasket
Cardboard corner	4	To reinforced for the plastic strap tightening
Plastic strap - Black	2	To Squeeze 2 cardboard sleeve together
Packaging label	3	White label with PN
Plastic strap- Green	2	To secure the enclosure to the wood pallet
Wood Pallet	1	2" deeper and 3" larger than enclosure size

Qty	Part Number	Rev	Description
1	5500SSDD606012MF	0	885 MFHD 12" x 12" Mounting Feet
1	880EB14SS	2	Stainless Steel Eye Bolt M14 (Pack of 2)
8	STK-Q-07320	0	Flange Lock Nut M10
1	885SP6060G	0	885 SP6060G Inner Panel
6	STK-Q-07620	0	M10 Plastic Spacer 0.875"
1	5500SSDD606012FD	0	5500SSDD 60" x 60" Flange Door
1	5500SSDD606012LD	0	5500SSDD 60" x 60" Lock Door
1	5500SSDD606012B	0	5500SSDD 60" x 60" x 12" Body
2	5500SSDD606012GP	0	5500SSDD Gland Plate
8	STK-Q-04051-10	8	M6 Hexagon Socket Head Machine Screw with Nyseal

Parts List

Tél: (450) 979-4373
Fax: (450) 979-4626
www.exmweb.com

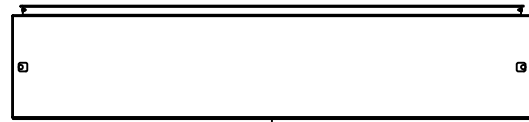
Flatness
Aplatissement
Max 3.0mm

Projection

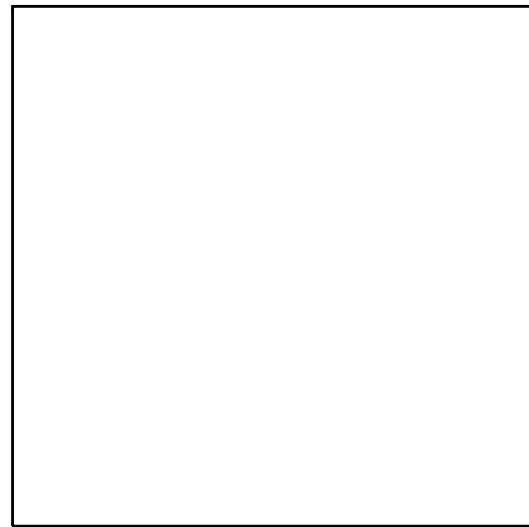
Customer Client	Date
Drawn By Dessiné Par BoxCad: BoxCad	Date 10-Mar-16
Material Matière	12 Ga Stainless Steel 304 (2.5mm)
Color Couleur	Unpainted
Finish Fini	Brushed
Description	Detail Rev.
5500SSDD 60" x 60" x 12" Assembly	
Part Number Numéro Pièce	Rev.
5500SSDD606012	0
	2

This drawing is confidential and must not be reproduced or used without the consent of EXM

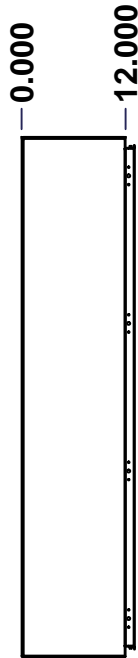
Ce dessin est confidentiel et ne doit pas être reproduit ou utilisé sans le consentement de EXM



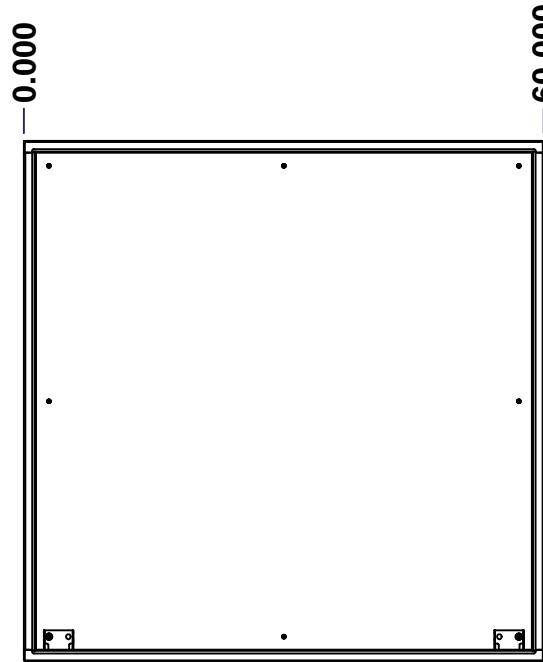
TOP



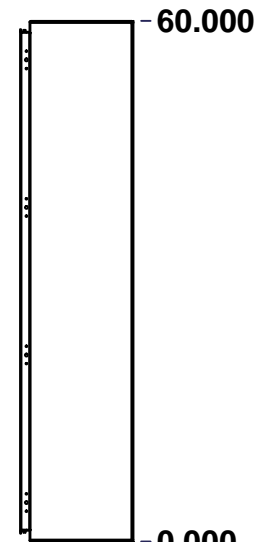
BACK



LEFT



FRONT

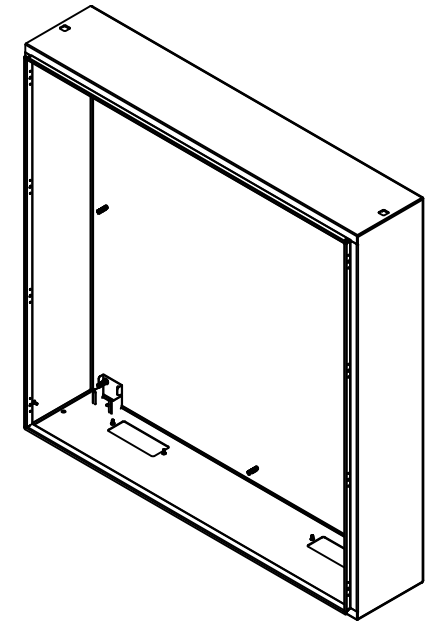


RIGHT



BOTTOM

No.	Revisions	Date	By/Par



Isometric View

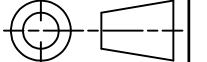


Tél: (450) 979-4373
 Fax: (450) 979-4626
www.exmweb.com

Flatness
Aplatissement

Max 3.0mm

Projection



Customer Client	Date
Drawn By / Dessiné Par: BoxCad: BoxCad	Date: 10-Mar-16
Material / Matière: 12 Ga Stainless Steel 304 (2.5mm)	
Color / Couleur: Unpainted	Finish / Fini: Brushed
Description: 5500SSDD 60" x 60" x 12" Body	
Part Number / Numéro Pièce: 5500SSDD606012B	Detail Rev. / Rev.:
	1 / 2

SEE BILL OF MATERIAL ON LAST PAGE

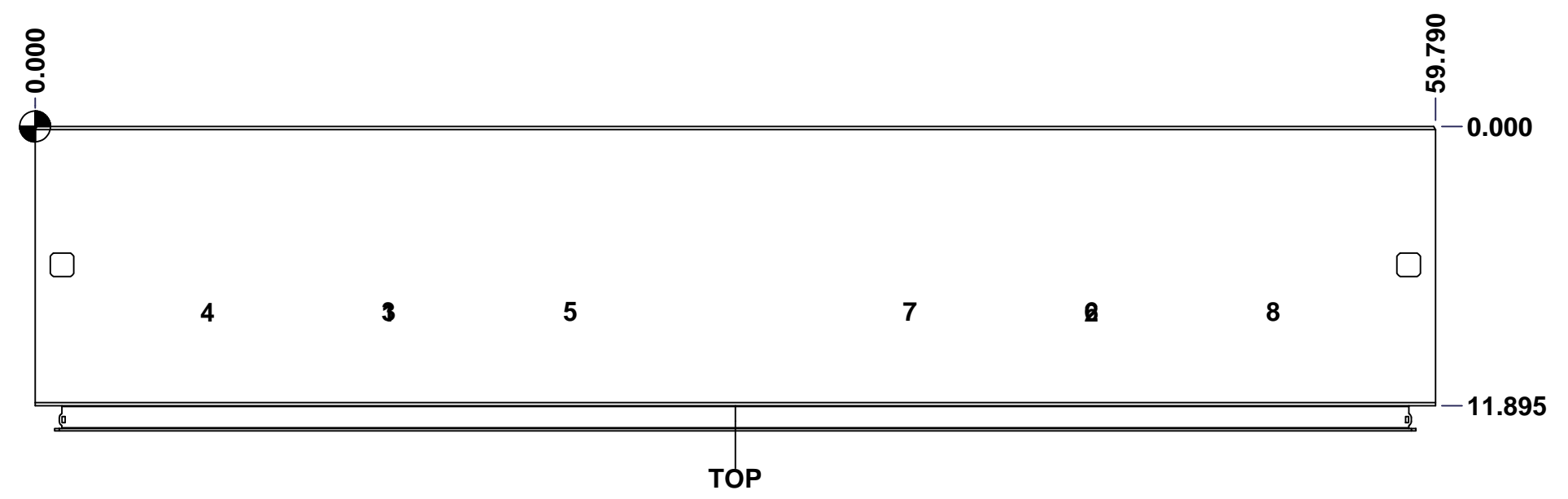
This drawing is confidential and must not be reproduced or used without the consent of EXM

Ce dessin est confidentiel et ne doit pas être reproduit ou utilisé sans le consentement de EXM

STANDARD FEATURES ARE NOT LISTED IN THIS HOLE TABLE

HOLE TABLE - TOP VIEW (CUSTOM FEATURE ONLY)

CUT-OUT	XDIM	YDIM	DESCRIPTION
1	14.895	7.895	Struts CR400 21.500" (Inside)
2	44.895	7.895	Struts CR400 21.500" (Inside)
3	14.895	7.895	STUDS M6 x 10mm (Inside)
4	7.145	7.895	STUDS M6 x 10mm (Inside)
5	22.645	7.895	STUDS M6 x 10mm (Inside)
6	44.895	7.895	STUDS M6 x 10mm (Inside)
7	37.145	7.895	STUDS M6 x 10mm (Inside)
8	52.645	7.895	STUDS M6 x 10mm (Inside)

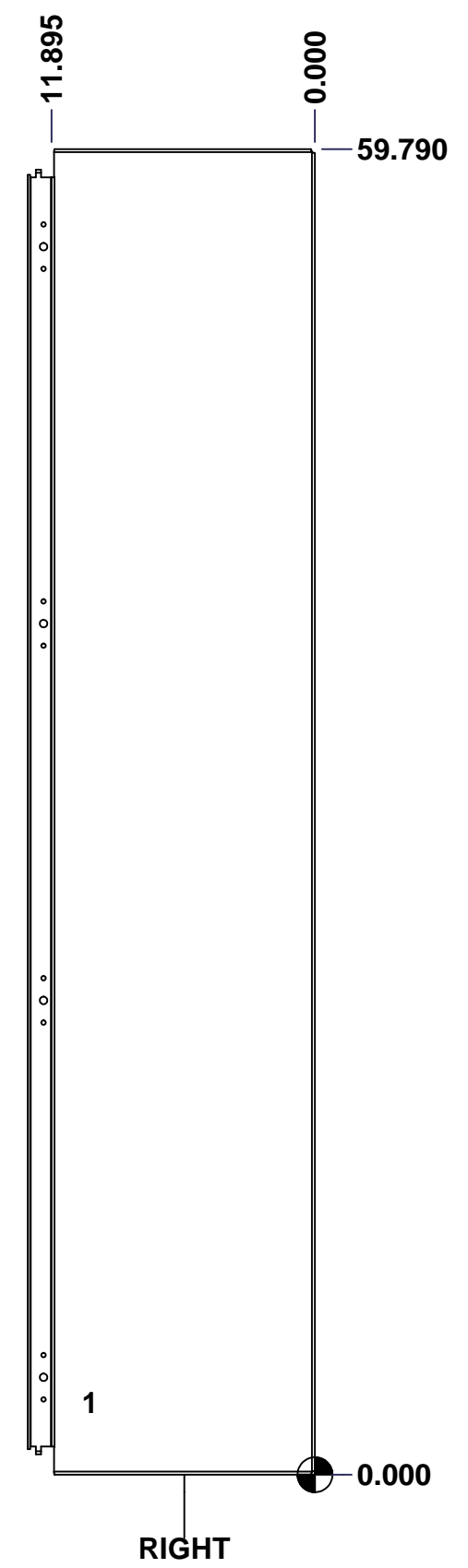


	Description	Status	
	5500SSDD 60" x 60" x 12" Body	Released	
	Part Number Numéro Pièce	Rev.	
	5500SSDD606012B	0	2 / 7

This drawing is confidential and must not be reproduced or used without the consent of EXM

Ce dessin est confidentiel et ne doit pas être reproduit ou utilisé sans le consentement de EXM

STANDARD FEATURES ARE NOT LISTED IN THIS HOLE TABLE			
HOLE TABLE - RIGHT VIEW (CUSTOM FEATURE ONLY)			
CUT-OUT	XDIM	YDIM	DESCRIPTION
1	10.395	3.270	GND STUD M6 x 16mm (Inside)



	Description	Status
	5500SSDD 60" x 60" x 12" Body	Released
	Part Number Numéro Pièce	Rev.
	5500SSDD606012B	0
		3 / 7

This drawing is confidential and must not be reproduced or used without the consent of EXM

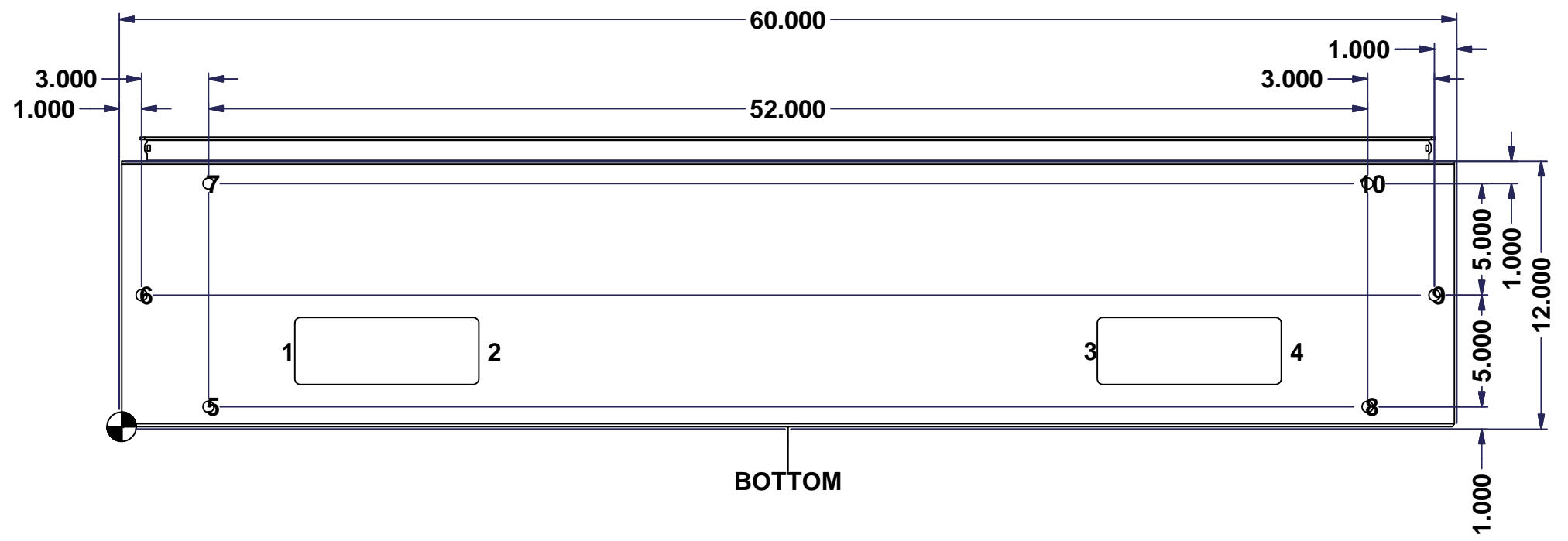
Ce dessin est confidentiel et ne doit pas être reproduit ou utilisé sans le consentement de EXM

STANDARD FEATURES ARE NOT LISTED IN THIS HOLE TABLE

HOLE TABLE - BOTTOM VIEW (CUSTOM FEATURE ONLY)

CUT-OUT	XDIM	YDIM	DESCRIPTION
1	7.270	3.395	GP STUD M6 x 16mm (Inside)
2	16.520	3.395	GP STUD M6 x 16mm (Inside)
3	43.270	3.395	GP STUD M6 x 16mm (Inside)
4	52.520	3.395	GP STUD M6 x 16mm (Inside)

5	3.895	0.895	RND Ø0.500
6	0.895	5.895	RND Ø0.500
7	3.895	10.895	RND Ø0.500
8	55.895	0.895	RND Ø0.500
9	58.895	5.895	RND Ø0.500
10	55.895	10.895	RND Ø0.500

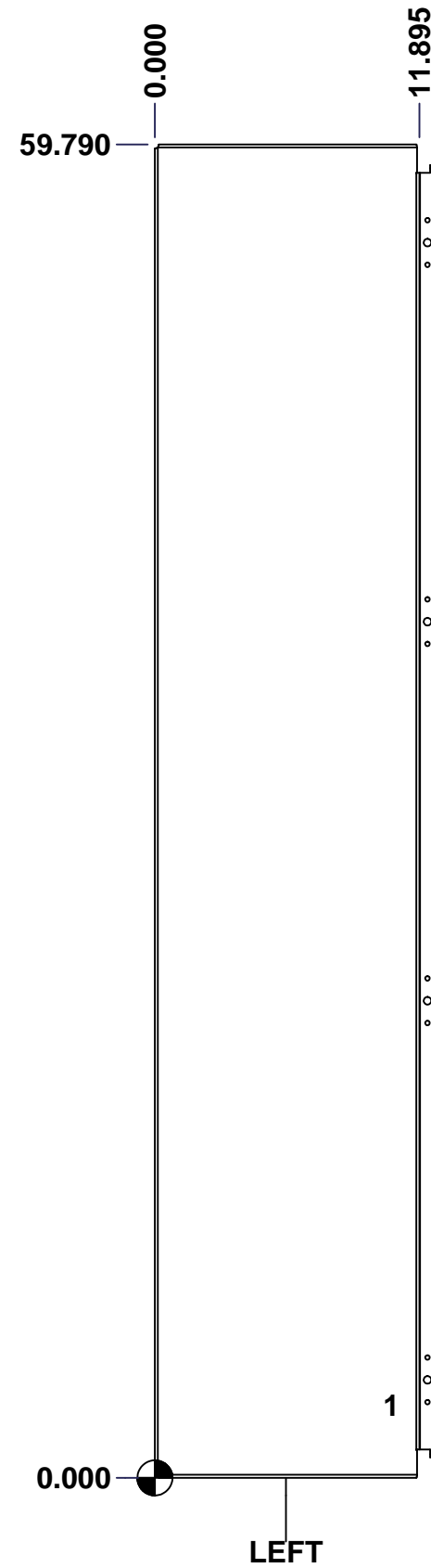


	Description		Status	
	5500SSDD 60" x 60" x 12" Body		Released	
Part Number Numéro Pièce		Rev.	4	
5500SSDD606012B		0	7	

This drawing is confidential and must not be reproduced or used without the consent of EXM

Ce dessin est confidentiel et ne doit pas être reproduit ou utilisé sans le consentement de EXM

STANDARD FEATURES ARE NOT LISTED IN THIS HOLE TABLE			
HOLE TABLE - LEFT VIEW (CUSTOM FEATURE ONLY)			
CUT-OUT	XDIM	YDIM	DESCRIPTION
1	10.395	3.270	GND STUD M6 x 16mm (Inside)



	Description	Status	
	5500SSDD 60" x 60" x 12" Body	Released	
	Part Number Numéro Pièce	Rev.	5
	5500SSDD606012B	0	7

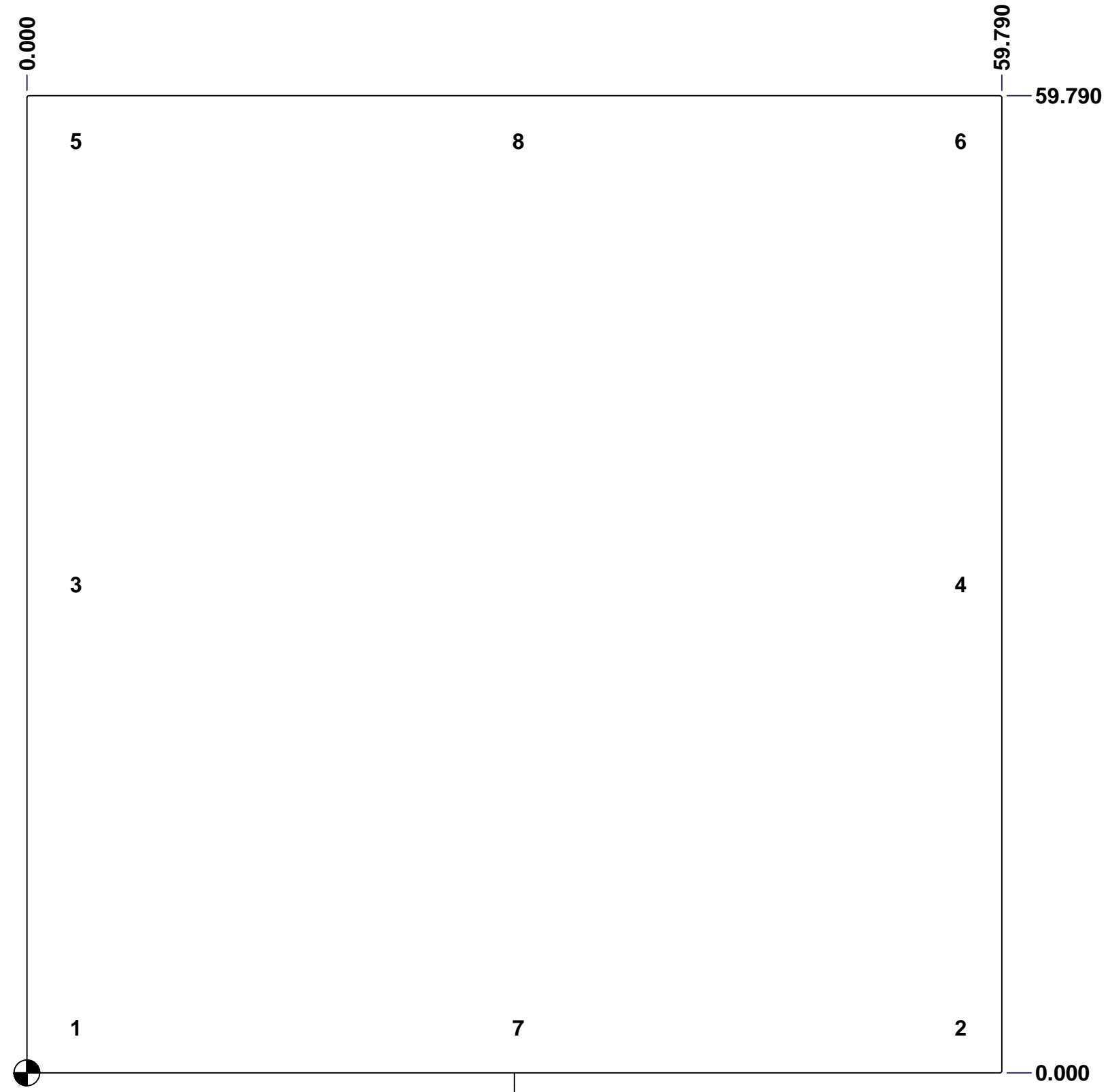
This drawing is confidential and must not be reproduced or used without the consent of EXM

Ce dessin est confidentiel et ne doit pas être reproduit ou utilisé sans le consentement de EXM

STANDARD FEATURES ARE NOT LISTED IN THIS HOLE TABLE

HOLE TABLE - BACK VIEW (CUSTOM FEATURE ONLY)

CUT-OUT	XDIM	YDIM	DESCRIPTION
1	2.770	2.770	IP STUD M10 x 40mm (Inside)
2	57.020	2.770	IP STUD M10 x 40mm (Inside)
3	2.770	29.895	IP STUD M10 x 40mm (Inside)
4	57.020	29.895	IP STUD M10 x 40mm (Inside)
5	2.770	57.020	IP STUD M10 x 40mm (Inside)
6	57.020	57.020	IP STUD M10 x 40mm (Inside)
7	29.895	2.770	IP STUD M10 x 40mm (Inside)
8	29.895	57.020	IP STUD M10 x 40mm (Inside)



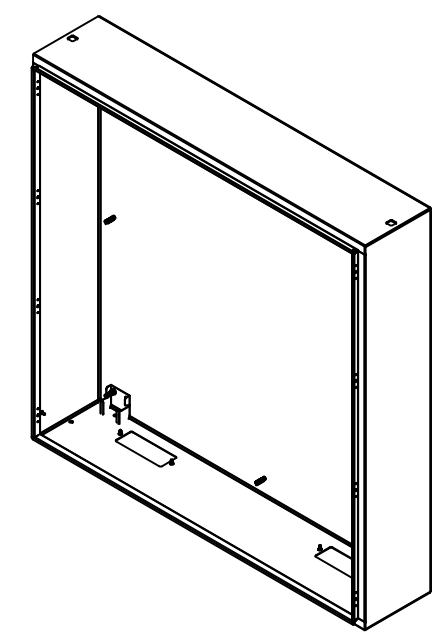
BACK

	Description	Status	
	5500SSDD 60" x 60" x 12" Body	Released	
	Part Number Numéro Pièce	Rev.	
	5500SSDD606012B	0	6 / 7

This drawing is confidential and must not be reproduced or used without the consent of EXM

Ce dessin est confidentiel et ne doit pas être reproduit ou utilisé sans le consentement de EXM


No.	Revisions	Date	By/Par



Isometric View

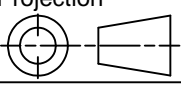


Qty	Part Number	Rev	Description
6	STK-Q-16040	0	Stud M6 x 10mm Stainless Steel
2	STK-Q-16085	0	Ground Stud M6 x 16mm Stainless Steel
6	STK-Q-07220	1	M6 Nylon Insert Lock Nut
4	STK-Q-16095	0	M6 x 16mm Stainless Steel Ground Stud
2	STK-Q-07320	0	Flange Lock Nut M10
2	STK-Q-07618	1	5500 Series Inner Panel Support Bracket
8	STK-Q-16120	0	Stud M10 x 40mm Stainless Steel
1	5500SSDD606012BT-P	0	5500SSDD 60" x 12" Bottom Part
1	5500SSDD606012T-P	0	5500SSDD 60" x 12" Top Part
1	5500SSDD606012RS-P	0	5500SSDD 60" x 60" Right Part
1	5500SSDD606012LS-P	0	5500SSDD 60" x 60" Left Part
1	5500SSDD606012B-P	0	5500SSDD 60" x 60" Back Part
2	CR400SS_21.5	0	Commercial Roll Stainless Steel (21.5in long)
			Parts List



Tél: (450) 979-4373
Fax: (450) 979-4626
www.exmweb.com

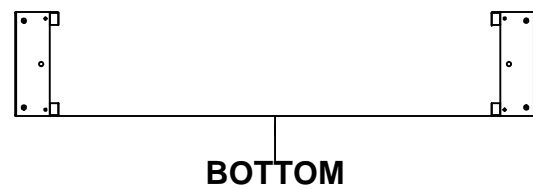
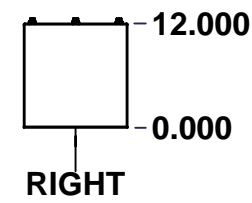
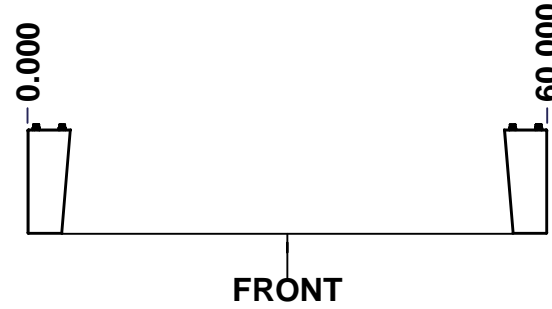
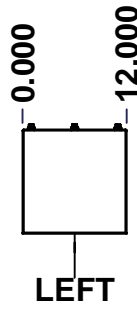
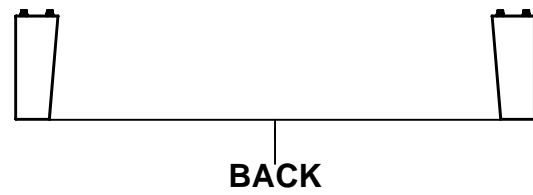
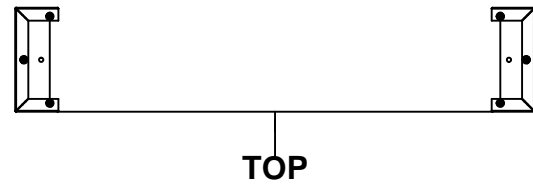
Flatness
Aplatissement
Max 3.0mm

Projection 

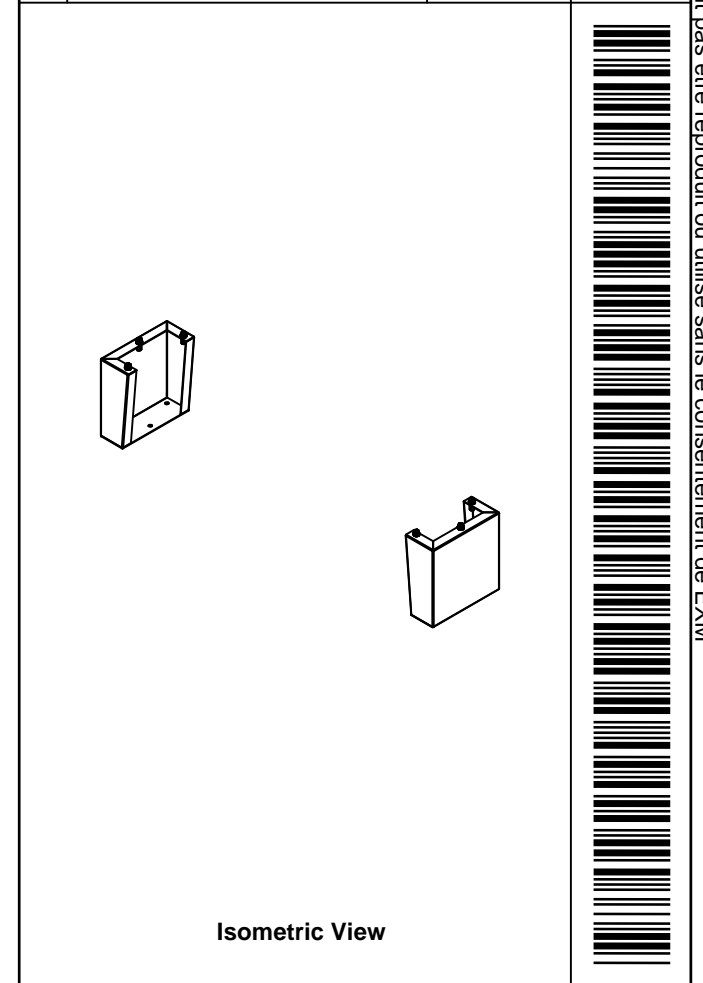
Customer Client		Date
Drawn By Dessiné Par	BoxCad: BoxCad	Date 10-Mar-16
Material Matière 12 Ga Stainless Steel 304 (2.5mm)		
Color Couleur	Unpainted	Finish Fini Brushed
Description 5500SSDD 60" x 60" x 12" Body		Detail Rev.
Part Number Numéro Pièce	5500SSDD606012B	Rev. 2
		0


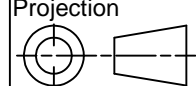
This drawing is confidential and must not be reproduced or used without the consent of EXM

Ce dessin est confidentiel et ne doit pas être reproduit ou utilisé sans le consentement de EXM



No.	Revisions	Date	By/Par



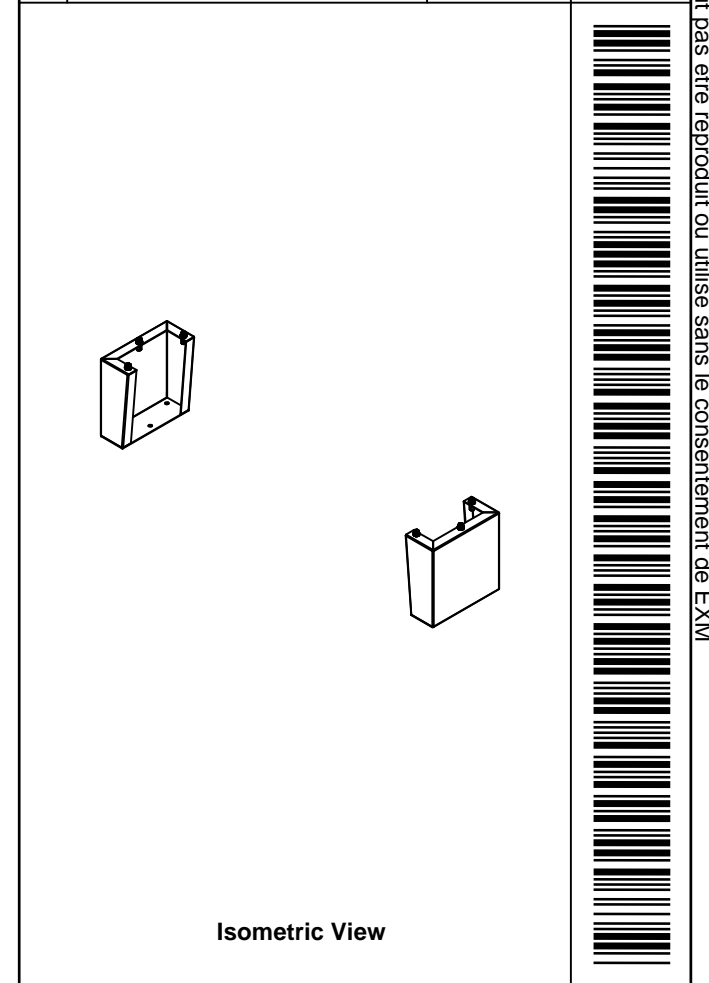
 Tél: (450) 979-4373 Fax: (450) 979-4626 www.exmweb.com		Flatness Aplatissement Max 3.0mm Projection 
Customer Client	Date	
Drawn By Dessiné Par	BoxCad: BoxCad	Date 10-Mar-16
Material Matière	12 Ga Stainless Steel 304 (2.5mm)	
Color Couleur	Unpainted	Finish Fini Brushed
Description	Detail Rev.	
885 MFHD 12" x 12" Mounting Feet		
Part Number Numéro Pièce	Rev.	1
5500SSDD606012MF	0	4


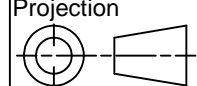
SEE BILL OF MATERIAL ON LAST PAGE

This drawing is confidential and must not be reproduced or used without the consent of EXM

Ce dessin est confidentiel et ne doit pas être reproduit ou utilisé sans le consentement de EXM

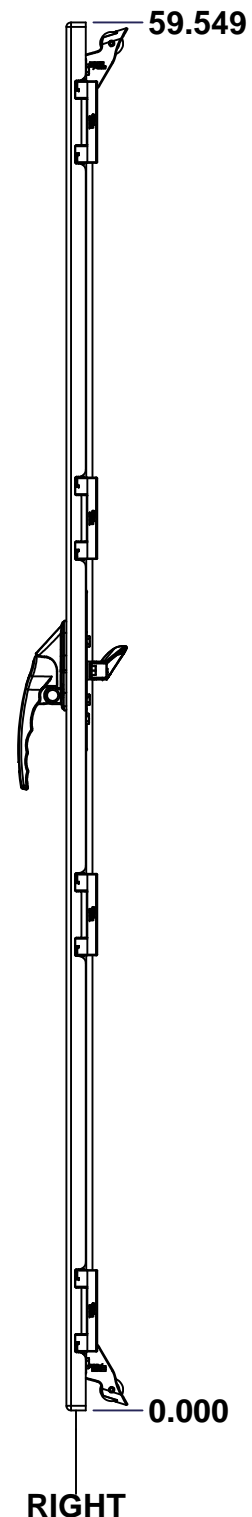
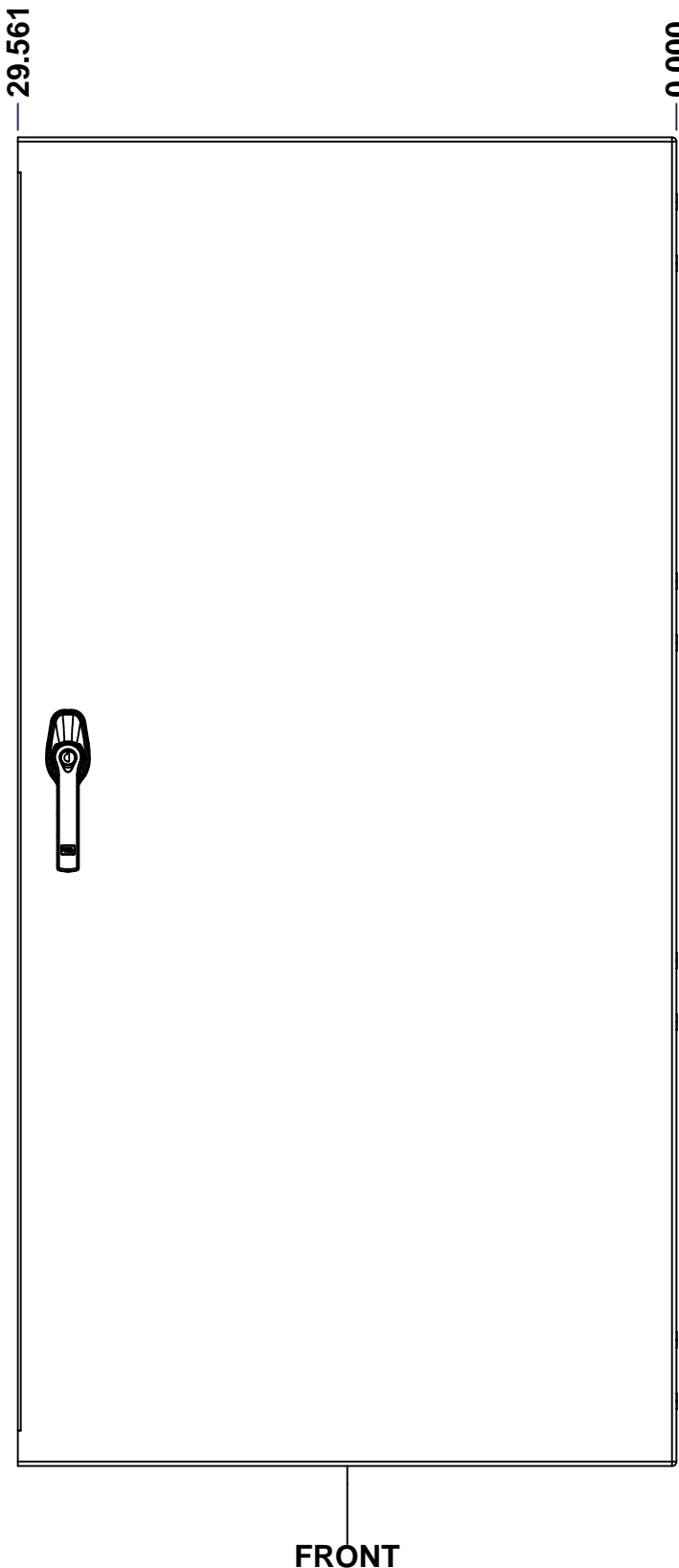
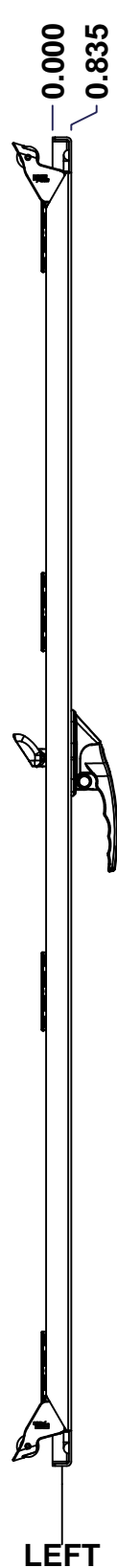
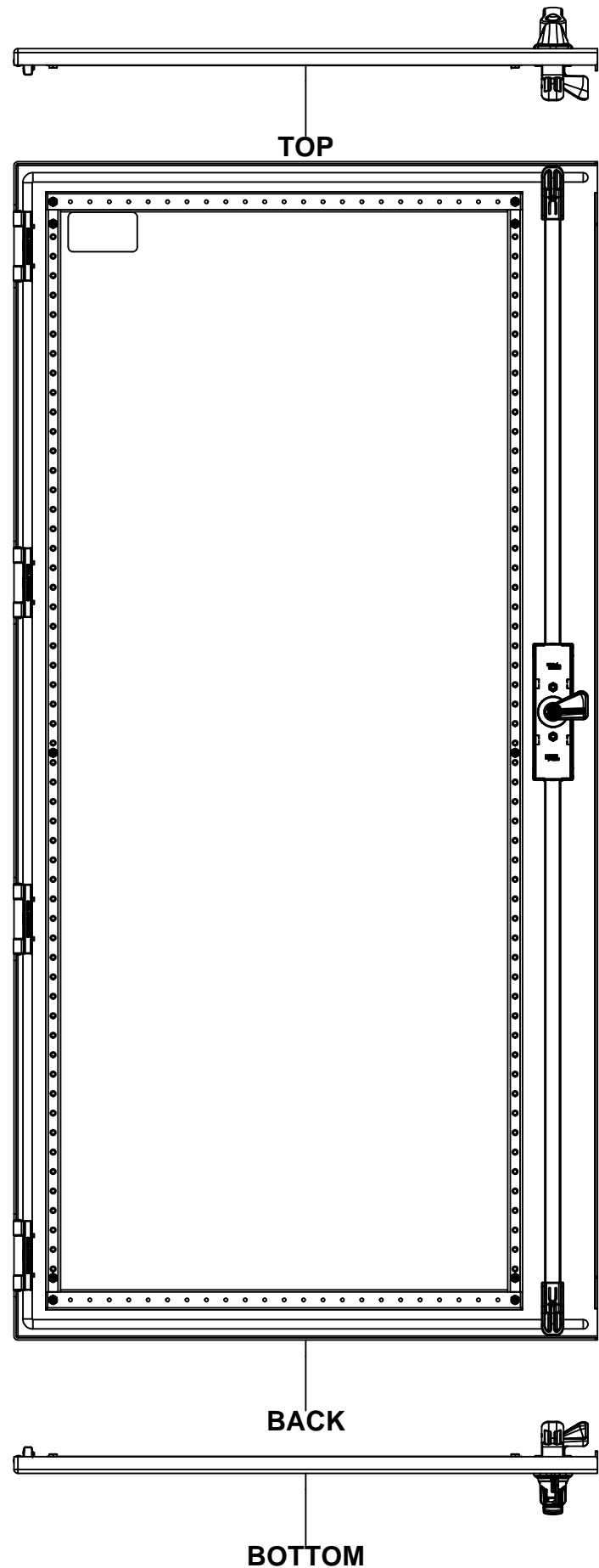
No.	Revisions	Date	By/Par



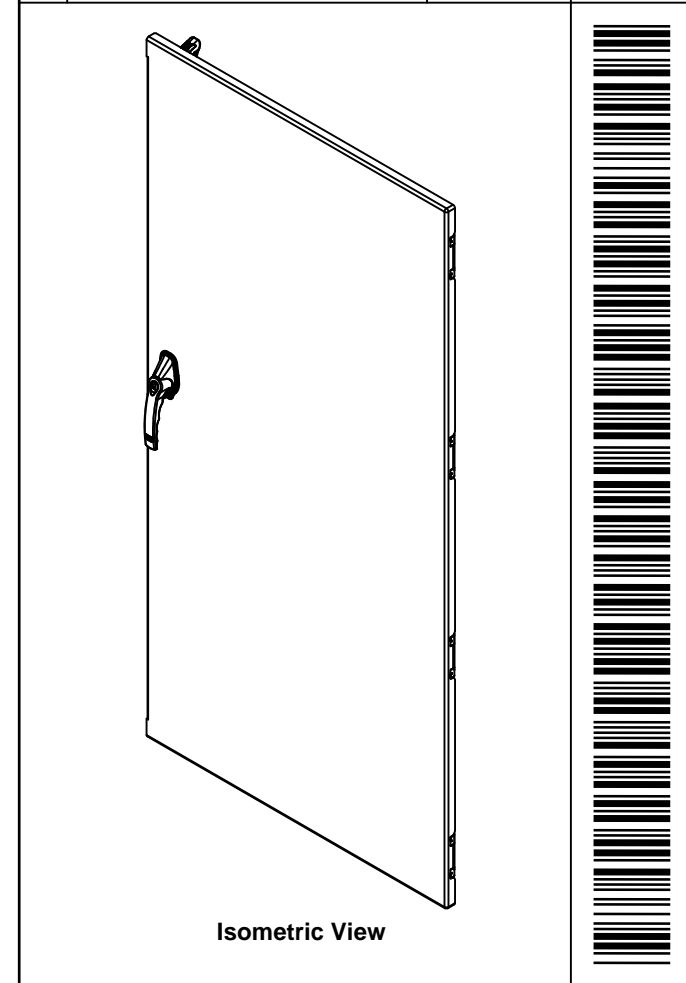
 Tél: (450) 979-4373 Fax: (450) 979-4626 www.exmweb.com		Flatness Aplatissement Max 3.0mm Projection 																						
Customer Client	Date																							
Drawn By Dessiné Par	BoxCad: BoxCad	Date 10-Mar-16																						
Material Matière	12 Ga Stainless Steel 304 (2.5mm)																							
Color Couleur	Unpainted	Finish Fini Brushed																						
Description 885 MFHD 12" x 12" Mounting Feet		Detail Rev.																						
Part Number Numéro Pièce	5500SSDD606012MF	Rev. 0																						
<table border="1"> <thead> <tr> <th>Qty</th> <th>Part Name</th> <th>Rev</th> <th>Description</th> </tr> </thead> <tbody> <tr> <td>6</td> <td>RIVET_NUT_SS_M10_FH_CE</td> <td>0</td> <td>Stainless Steel Rivet Nut M10 (Low Profile Close End)</td> </tr> <tr> <td>1</td> <td>5500SSDD606012MFR-P</td> <td>0</td> <td>885 MFHD 12" x 12" Right Mounting Feet Part</td> </tr> <tr> <td>1</td> <td>5500SSDD606012MFL-P</td> <td>0</td> <td>885 MFHD 12" x 12" Left Mounting Feet Part</td> </tr> <tr> <td>1</td> <td>STK-K-11610</td> <td>2</td> <td>885 MFSS Accessory Kit</td> </tr> </tbody> </table>		Qty	Part Name	Rev	Description	6	RIVET_NUT_SS_M10_FH_CE	0	Stainless Steel Rivet Nut M10 (Low Profile Close End)	1	5500SSDD606012MFR-P	0	885 MFHD 12" x 12" Right Mounting Feet Part	1	5500SSDD606012MFL-P	0	885 MFHD 12" x 12" Left Mounting Feet Part	1	STK-K-11610	2	885 MFSS Accessory Kit	<table border="1"> <tr> <td>4</td> </tr> <tr> <td>4</td> </tr> </table>	4	4
Qty	Part Name	Rev	Description																					
6	RIVET_NUT_SS_M10_FH_CE	0	Stainless Steel Rivet Nut M10 (Low Profile Close End)																					
1	5500SSDD606012MFR-P	0	885 MFHD 12" x 12" Right Mounting Feet Part																					
1	5500SSDD606012MFL-P	0	885 MFHD 12" x 12" Left Mounting Feet Part																					
1	STK-K-11610	2	885 MFSS Accessory Kit																					
4																								
4																								
Parts List																								

This drawing is confidential and must not be reproduced or used without the consent of EXM

Ce dessin est confidentiel et ne doit pas être reproduit ou utilisé sans le consentement de EXM



No.	Revisions	Date	By/Par



Tél: (450) 979-4373 Fax: (450) 979-4626 www.exmweb.com		Flatness Aplatissement	
		Max 3.0mm	
Customer Client		Projection	
Date			
Drawn By Dessiné Par	BoxCad: BoxCad	Date	10-Mar-16
Material Matière		12 Ga Stainless Steel 304 (2.5mm)	
Color Couleur	Unpainted	Finish Fini	Brushed
Description		Detail Rev.	
5500SSDD 60" x 60" Lock Door			
Part Number Numéro Pièce		Rev.	1
5500SSDD606012LD		0	3

SEE BILL OF MATERIAL ON LAST PAGE

This drawing is confidential and must not be reproduced or used without the consent of EXM

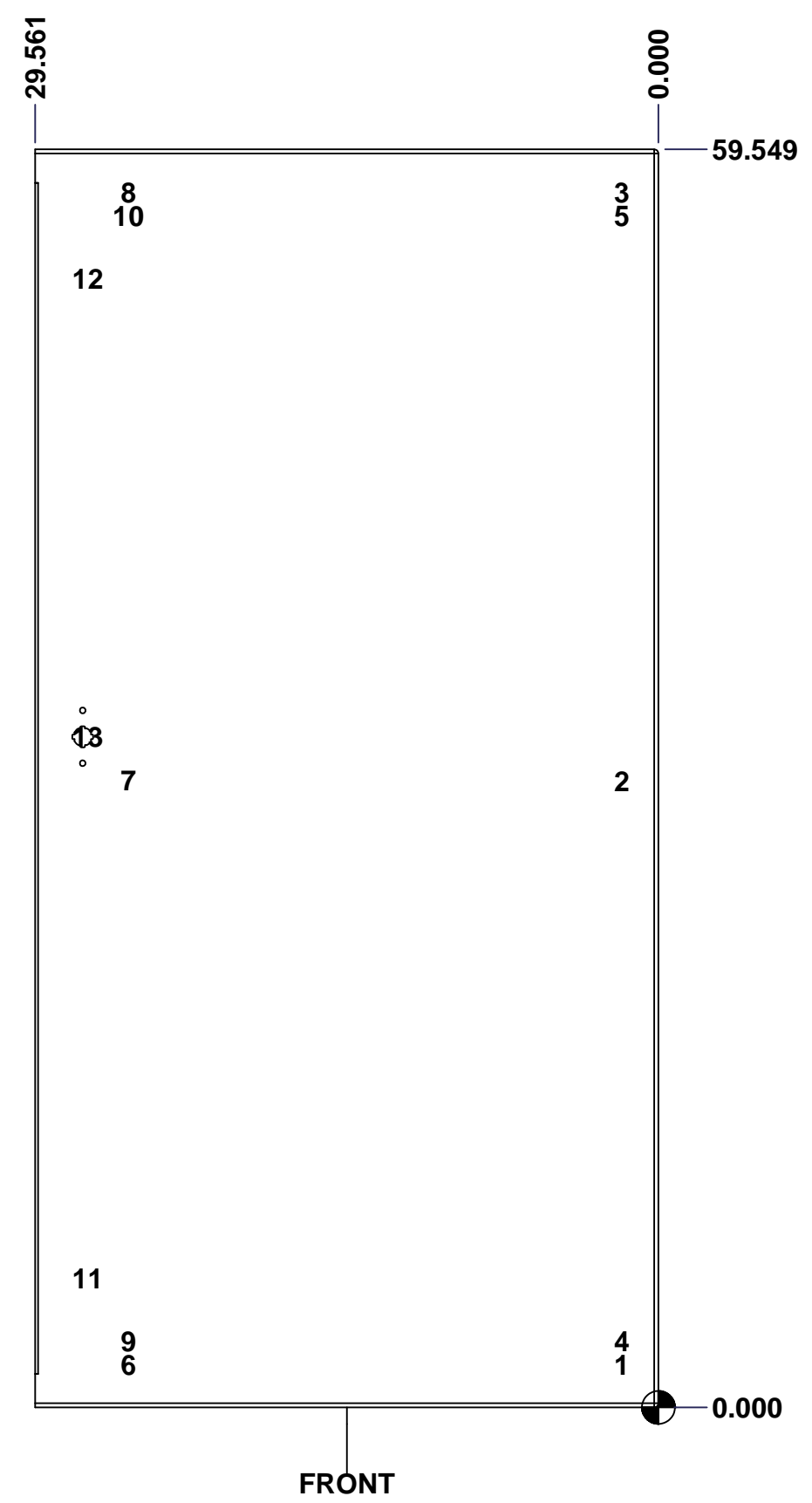
Ce dessin est confidentiel et ne doit pas être reproduit ou utilisé sans le consentement de EXM

STANDARD FEATURES ARE NOT LISTED IN THIS HOLE TABLE

HOLE TABLE - FRONT VIEW (CUSTOM FEATURE ONLY)

CUT-OUT	XDIM	YDIM	DESCRIPTION
1	1.983	2.028	STUD M6 x 18mm (Inside)
2	1.983	29.675	STUD M6 x 18mm (Inside)
3	1.983	57.521	STUD M6 x 18mm (Inside)
4	1.983	3.139	STUD M6 x 18mm (Inside)
5	1.983	56.409	STUD M6 x 18mm (Inside)
6	25.390	2.028	STUD M6 x 18mm (Inside)
7	25.390	29.675	STUD M6 x 18mm (Inside)
8	25.390	57.521	STUD M6 x 18mm (Inside)
9	25.390	3.139	STUD M6 x 18mm (Inside)
10	25.390	56.409	STUD M6 x 18mm (Inside)
11	27.311	6.118	STUD M6 x 18mm (Inside)
12	27.311	53.430	STUD M6 x 18mm (Inside)

13	27.311	31.743	HANDLE 885 ESL2A-APHKSS @ 0.0°



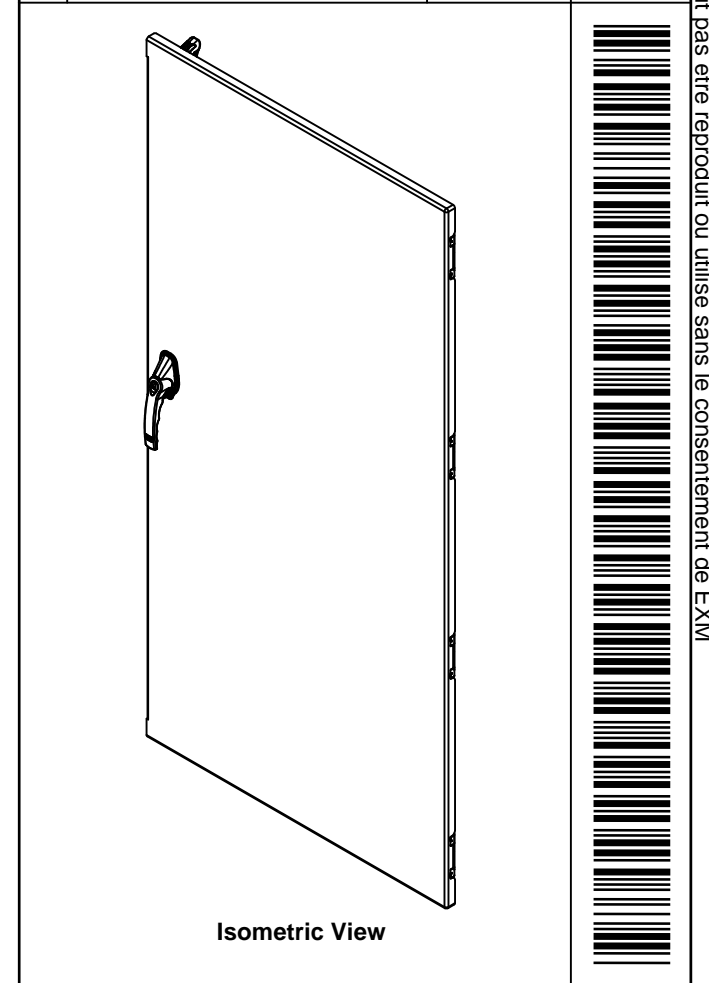
FRONT

	Description	Status
	5500SSDD 60" x 60" Lock Door	(NULL)
	Part Number Numéro Pièce	Rev.
	5500SSDD606012LD	0
		2
		3

This drawing is confidential and must not be reproduced or used without the consent of EXM


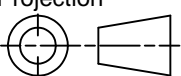
Ce dessin est confidentiel et ne doit pas être reproduit ou utilisé sans le consentement de EXM

No.	Revisions	Date	By/Par



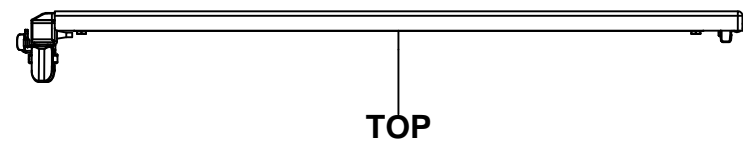
Qty	Part Name	Rev	Description
1	STK-Q-47521	1	5500 DDS Lower Closing Bar 60"
1	STK-Q-47511	1	5500 DDS Upper Closing Bar 60"
1	STK-A-03986-36	2	Gearbox Counterclockwise Assembly (36.0mm)
1	885ESL2A-APHKSS	7	885 ESL2A-APHKSS - Stainless Steel L-Handle Padlockable Assy
1	STK-S-00100	0	3.5" x 2" Silver Milar Flexcon Sticker
1	5500SSDD606012LDG	0	5500SSDD 60" x 60" Lock Door Gasket
1	STK-K-10710	3	5500 DDS - Door Stiffener Assembly
2	STK-Q-16410	0	Guide Stud - Largel (No Paint Cap Required)
10	STK-Q-16070	1	Stud M6 x 18mm Stainless steel
1	5500SSDD606012LD-P	0	5500SSDD 60" x 60" Lock Door Part
4	STK-K-09870	7	Cabinet Hinge with Captive Pins
2	STK-A-90025	0	9500 - Cabinet Closing Bar End (Large)

Parts List

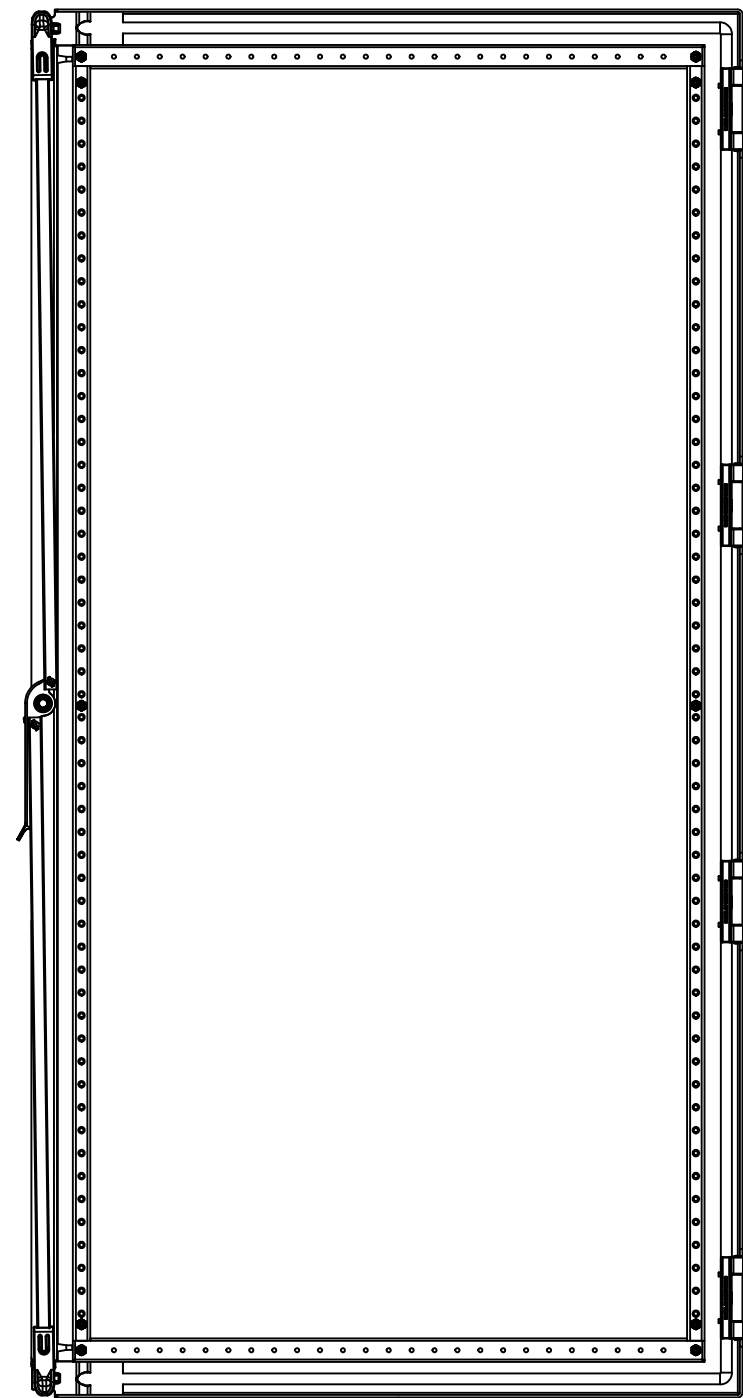
 Tél: (450) 979-4373 Fax: (450) 979-4626 www.exmweb.com		Flatness Aplatissement Max 3.0mm Projection 
Customer Client	Date	Date 10-Mar-16
Drawn By Dessiné Par	BoxCad: BoxCad	
Material Matière	12 Ga Stainless Steel 304 (2.5mm)	
Color Couleur	Unpainted	Finish Fini Brushed
Description	Detail Rev.	
5500SSDD 60" x 60" Lock Door		
Part Number Numéro Pièce	Rev.	3
5500SSDD606012LD	0	3

This drawing is confidential and must not be reproduced or used without the consent of EXM

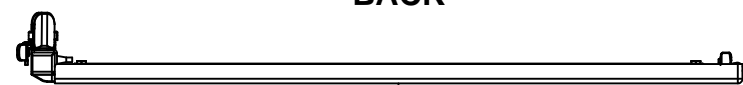
Ce dessin est confidentiel et ne doit pas être reproduit ou utilisé sans le consentement de EXM



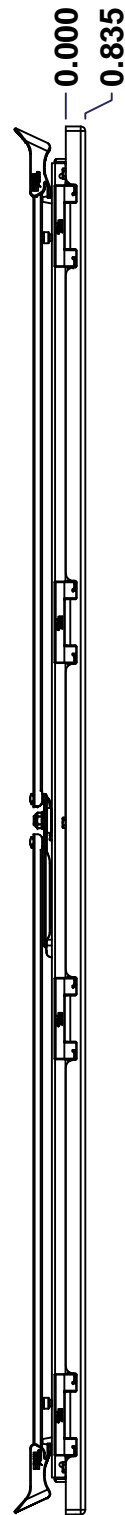
TOP



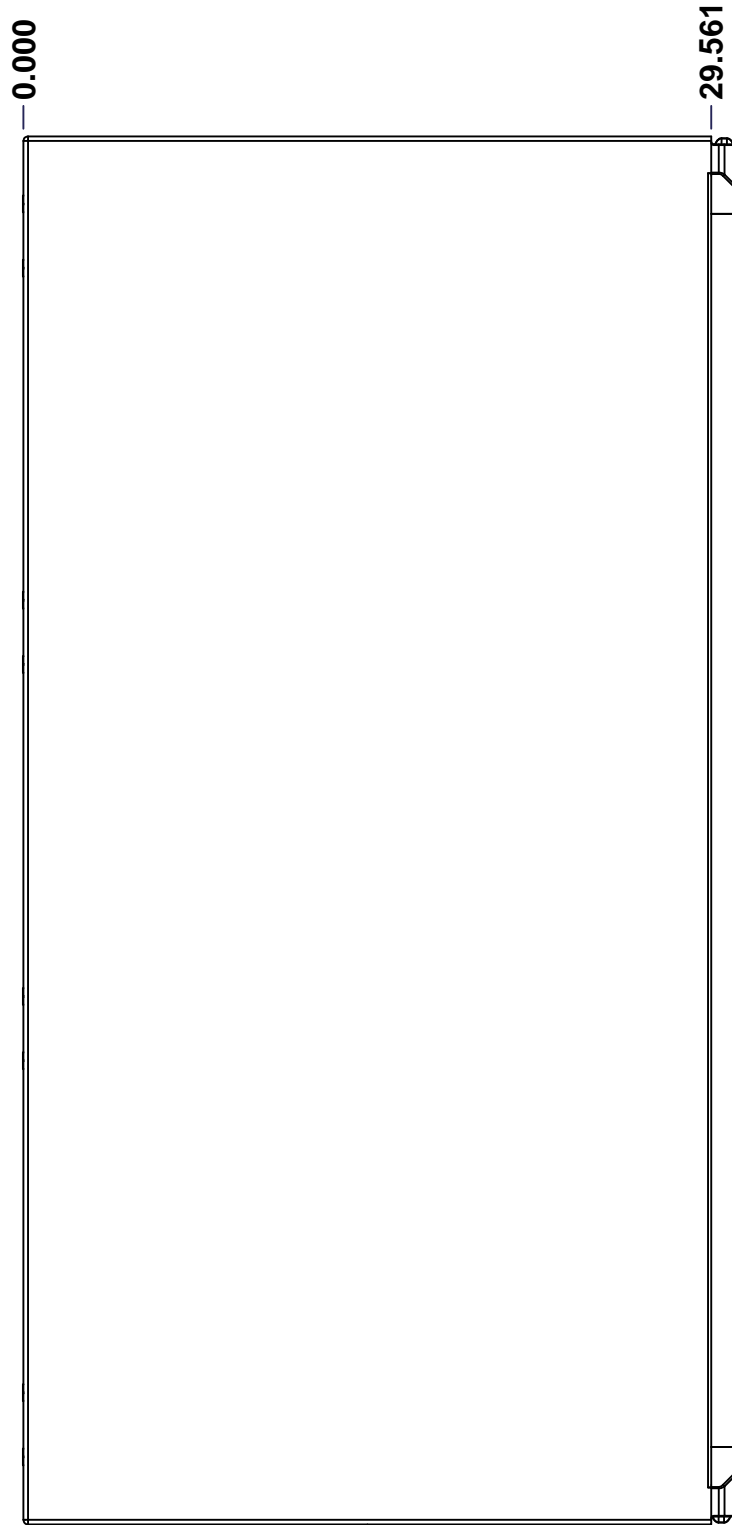
BACK



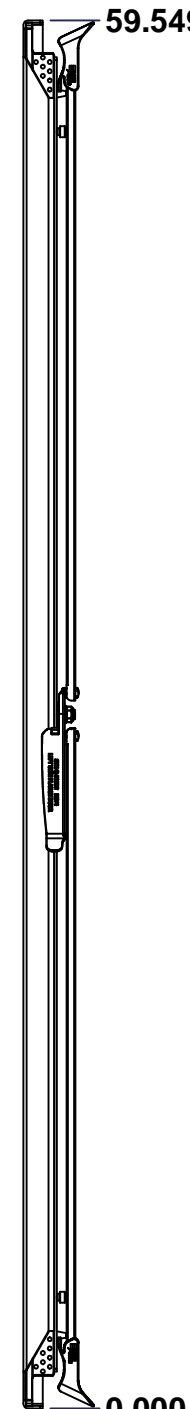
BOTTOM



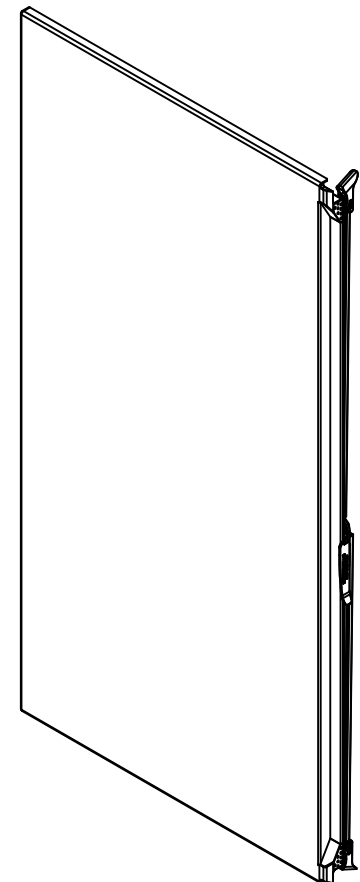
LEFT



FRONT




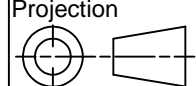
RIGHT



Isometric View



No.	Revisions	Date	By/Par

 Tél: (450) 979-4373 Fax: (450) 979-4626 www.exmweb.com		Flatness Aplatissement Max 3.0mm Projection 
Customer Client	Date	
Drawn By Dessiné Par	BoxCad: BoxCad	Date 10-Mar-16
Material Matière	12 Ga Stainless Steel 304 (2.5mm)	
Color Couleur	Unpainted	Finish Fini Brushed
Description	Detail Rev.	
5500SSDD 60" x 60" Flange Door		
Part Number Numéro Pièce	Rev. 0	1 / 3
5500SSDD606012FD		

SEE BILL OF MATERIAL ON LAST PAGE

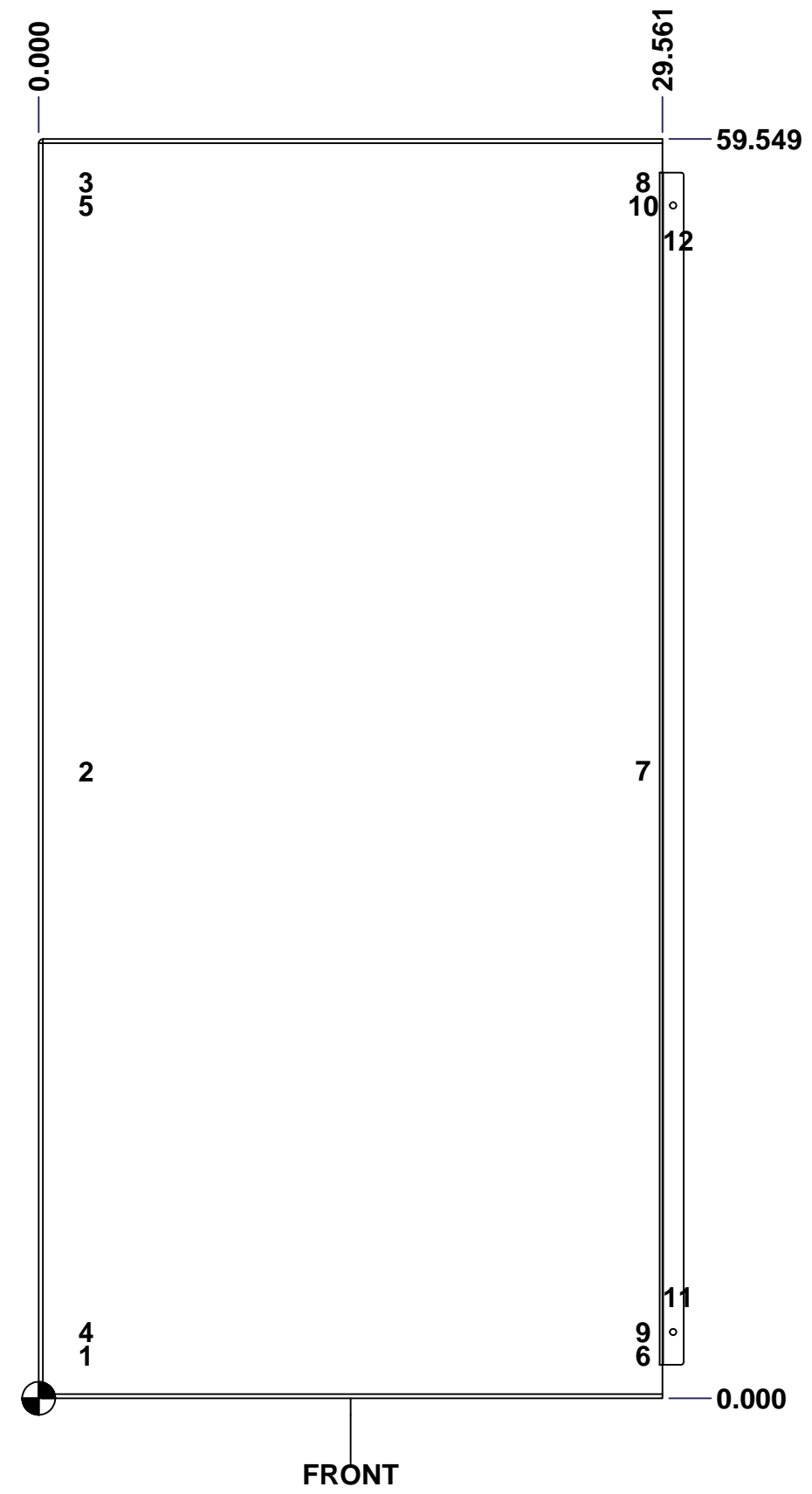
This drawing is confidential and must not be reproduced or used without the consent of EXM

Ce dessin est confidentiel et ne doit pas être reproduit ou utilisé sans le consentement de EXM

STANDARD FEATURES ARE NOT LISTED IN THIS HOLE TABLE

HOLE TABLE - FRONT VIEW (CUSTOM FEATURE ONLY)

CUT-OUT	XDIM	YDIM	DESCRIPTION
1	2.000	2.028	STUD M6 x 18mm (Inside)
2	2.000	29.675	STUD M6 x 18mm (Inside)
3	2.000	57.521	STUD M6 x 18mm (Inside)
4	2.000	3.139	STUD M6 x 18mm (Inside)
5	2.000	56.409	STUD M6 x 18mm (Inside)
6	28.407	2.028	STUD M6 x 18mm (Inside)
7	28.407	29.675	STUD M6 x 18mm (Inside)
8	28.407	57.521	STUD M6 x 18mm (Inside)
9	28.407	3.139	STUD M6 x 18mm (Inside)
10	28.407	56.409	STUD M6 x 18mm (Inside)
11	30.061	4.774	CLOSING BAR GUIDE (Inside)
12	30.061	54.774	CLOSING BAR GUIDE (Inside)
13	30.061	29.774	STUD M10 x 20mm (Inside)



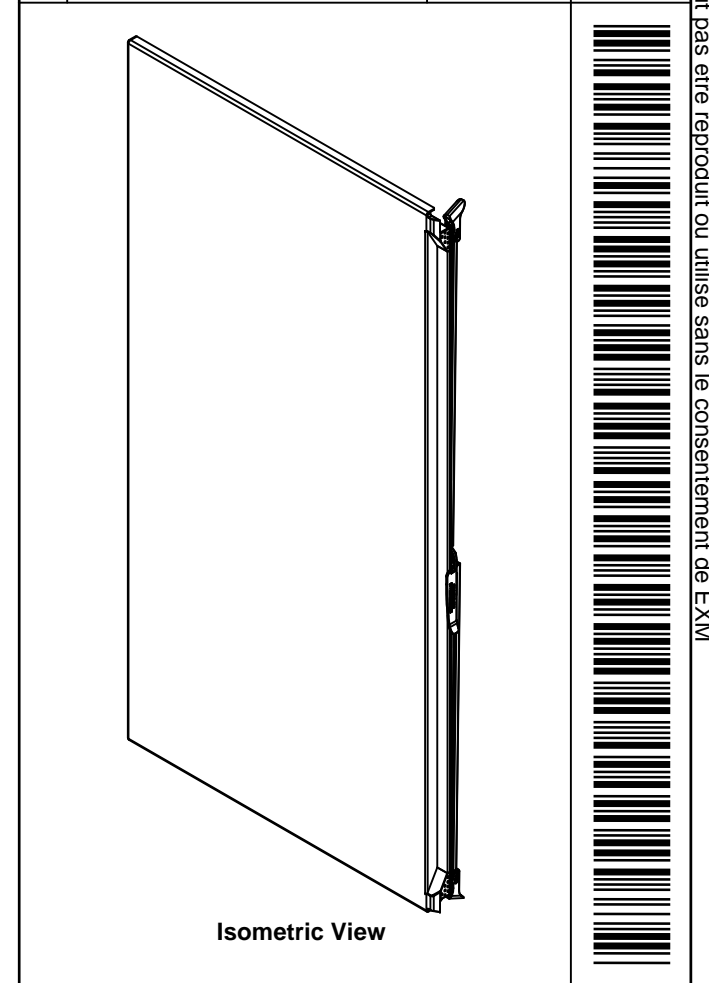
FRONT

	Description	Status
	5500SSDD 60" x 60" Flange Door	(NULL)
	Part Number Numéro Pièce	Rev.
	5500SSDD606012FD	0
		2
		3


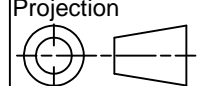
This drawing is confidential and must not be reproduced or used without the consent of EXM

Ce dessin est confidentiel et ne doit pas être reproduit ou utilisé sans le consentement de EXM

No.	Revisions	Date	By/Par

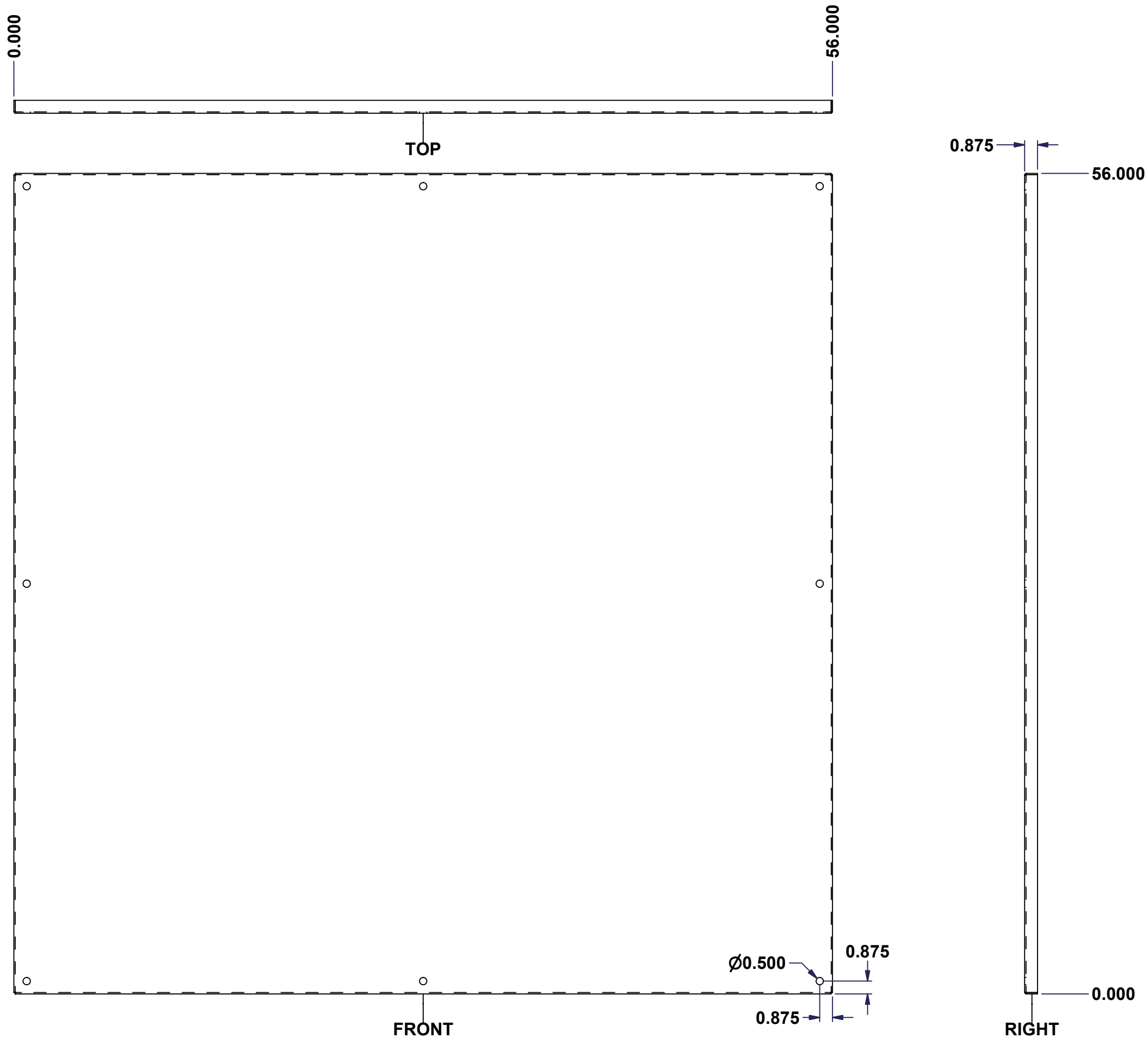


Qty	Part Name	Rev	Description
1	STK-G-03400	0	5500 DD Lower Flange Door Gasket
1	STK-G-03300	0	5500 DD Upper Flange Door Gasket
2	STK-Q-90045	0	Cabinet - Closing Bar End
2	STK-Q-45670-60	2	5500 DDS - Flange Door Closing Bar
1	STK-K-50556	4	9500 DD - Flange Door Handle Assy
1	STK-K-20710	3	5500 DDS - Flange Door Stiffener Assembly
1	STK-Q-16123	1	Stud M10 x 20mm Stainless Steel
1	STK-G-00701	0	1" x 1/4" Self-Adhesive Neoprene Gasket
1	5500SSDD606012FDG	0	5500SSDD 60" x 60" Flange Door Gasket
2	STK-Q-16405	6	Guide Stud - Small (No Paint Cap Required)
10	STK-Q-16070	1	Stud M6 x 18mm Stainless steel
1	5500SSDD606012FD-P	0	5500SSDD 60" x 60" Flange Door Part
4	STK-K-09870	7	Cabinet Hinge with Captive Pins
Qty	Part Name	Rev	Description
Parts List			

 Tél: (450) 979-4373 Fax: (450) 979-4626 www.exmweb.com		Flatness Aplatissement Max 3.0mm	
		Projection 	
Customer Client		Date	
Drawn By Dessiné Par BoxCad: BoxCad		Date 10-Mar-16	
Material Matière		12 Ga Stainless Steel 304 (2.5mm)	
Color Couleur		Unpainted	Finish Fini Brushed
Description			Detail Rev.
5500SSDD 60" x 60" Flange Door			
Part Number Numéro Pièce		Rev.	3
5500SSDD606012FD		0	3

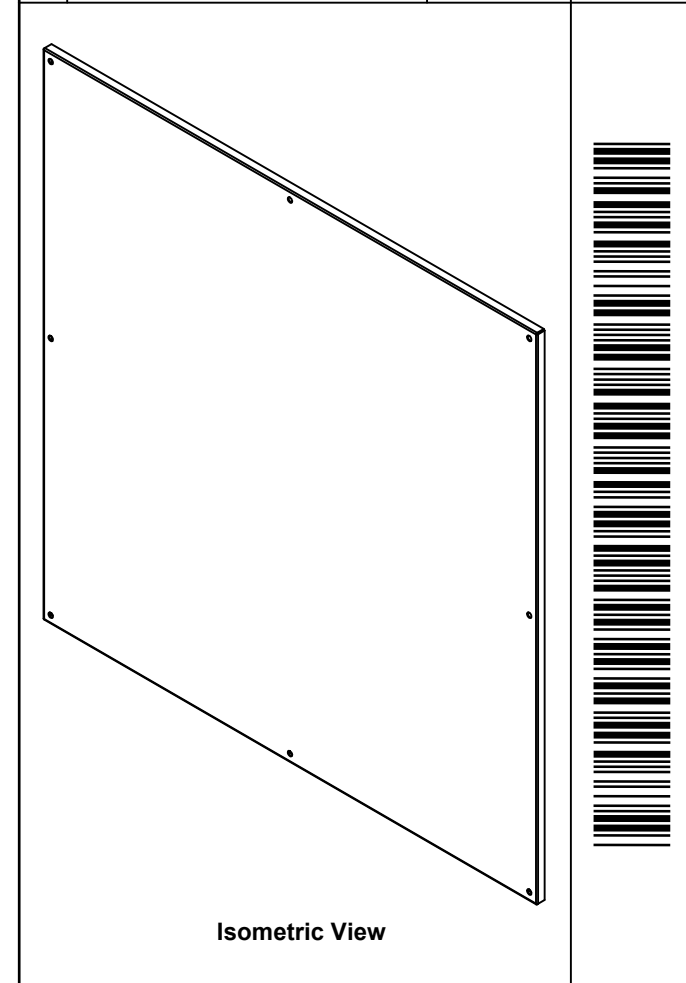
This drawing is confidential and must not be reproduced or used without the consent of EXM

Ce dessin est confidentiel et ne doit pas être reproduit ou utilisé sans le consentement de EXM



SEE BILL OF MATERIAL ON LAST PAGE

No.	Revisions	Date	By/Par

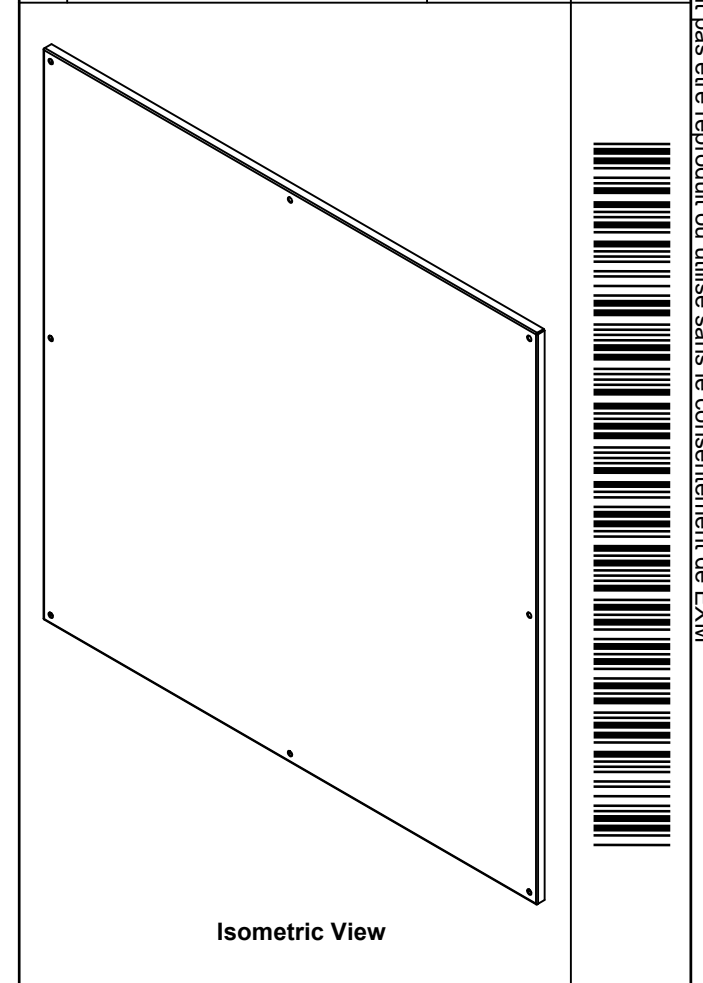



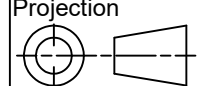
		Flatness Aplatissement Max 3.0mm Projection 	
Tél: (450) 979-4373 Fax: (450) 979-4626 www.exmweb.com		Customer Client	
Drawn By Dessiné Par BoxCad		Date 04/11/2009	
Material Matière 12 Ga Galvanized (2.5mm)		Color Couleur Unpainted	
Description 885 SP6060G Inner Panel		Finish Fini Unpainted	
Part Number Numéro Pièce 885SP6060G		Detail Rev. Rev. 1 0 2	

This drawing is confidential and must not be reproduced or used without the consent of EXM

Ce dessin est confidentiel et ne doit pas être reproduit ou utilisé sans le consentement de EXM

No.	Revisions	Date	By/Par



 Tél: (450) 979-4373 Fax: (450) 979-4626 www.exmweb.com		Flatness Aplatissement Max 3.0mm
Customer Client		Projection 
Drawn By Dessiné Par BoxCad		Date 04/11/2009
Material Matière 12 Ga Galvanized (2.5mm)		
Color Couleur Unpainted	Finish Fini Unpainted	
Description 885 SP6060G Inner Panel		Detail Rev.
Part Number Numéro Pièce 885SP6060G		Rev. 2 0

Qty	Part Number	Rev	Description
1	885SP6060G-P	0	885 SP6060G Inner Panel Part
Parts List			