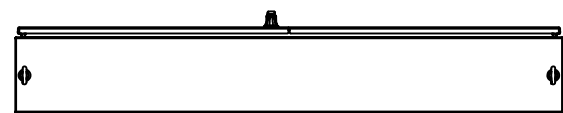
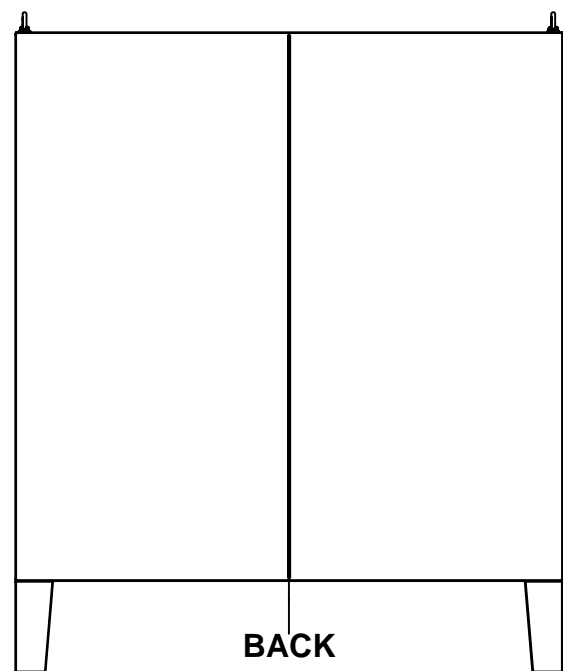


This drawing is confidential and must not be reproduced or used without the consent of EXM

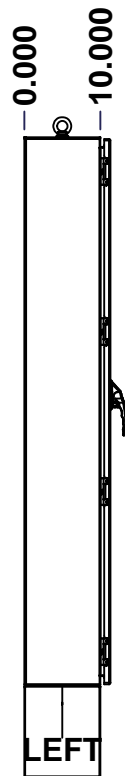
Ce dessin est confidentiel et ne doit pas être reproduit ou utilisé sans le consentement de EXM



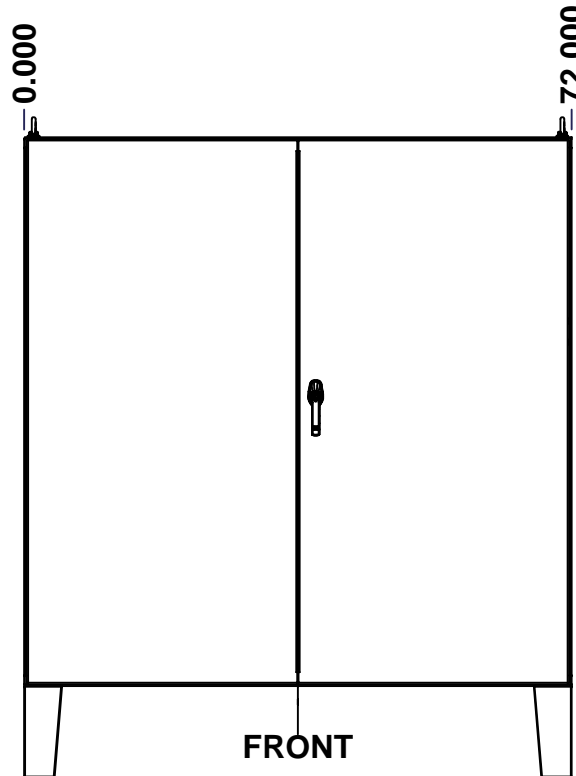
TOP



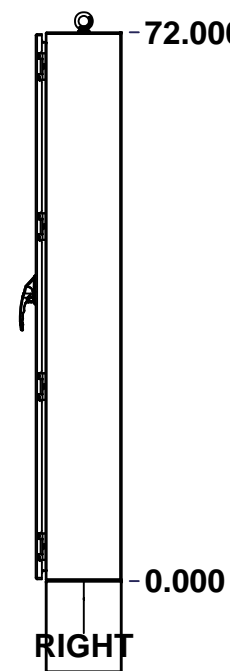
BACK



LEFT



FRONT

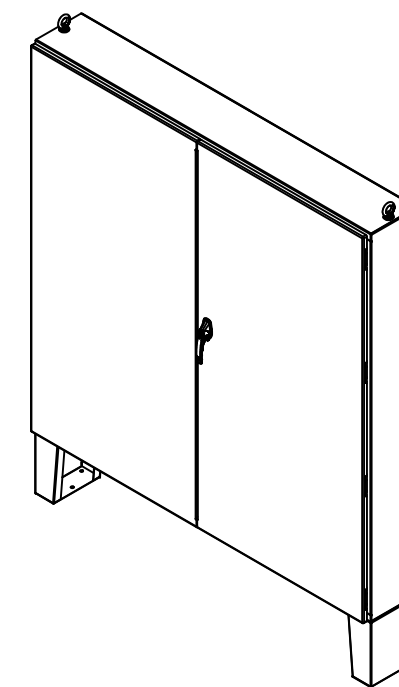


RIGHT



BOTTOM

No.	Revisions	Date	By/Par


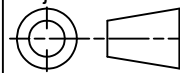


Isometric View



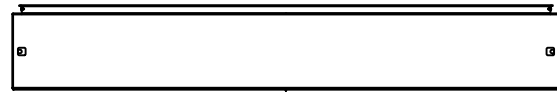
GRAIN DIRECTION:
TOP/BOTTOM: HORIZONTAL
LEFT/RIGHT/BACK/FRONT: VERTICAL

SEE BILL OF MATERIAL ON LAST PAGE

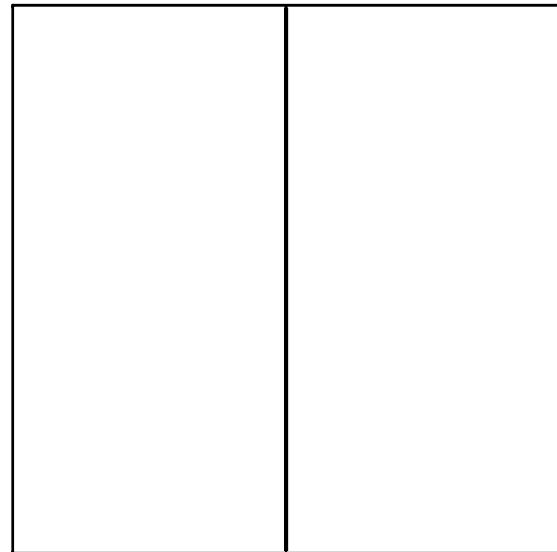
 Tél: (450) 979-4373 Fax: (450) 979-4626 www.exmweb.com		Flatness Aplatissement Max 3.0mm Projection 
Customer Client	Date	Date
Drawn By Dessiné Par	BoxCad: BoxCad	Date 10-Mar-16
Material Matière	12 Ga Stainless Steel 304 (2.5mm)	
Color Couleur	Unpainted	Finish Fini Brushed
Description	Detail Rev.	
5500SSDD 72" x 72" x 10" Assembly		
Part Number Numéro Pièce	Rev.	
5500SSDD727210	0	1 2

This drawing is confidential and must not be reproduced or used without the consent of EXM

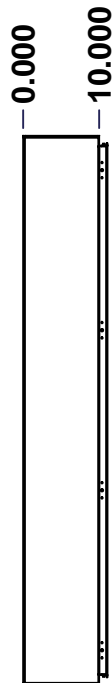
Ce dessin est confidentiel et ne doit pas être reproduit ou utilisé sans le consentement de EXM



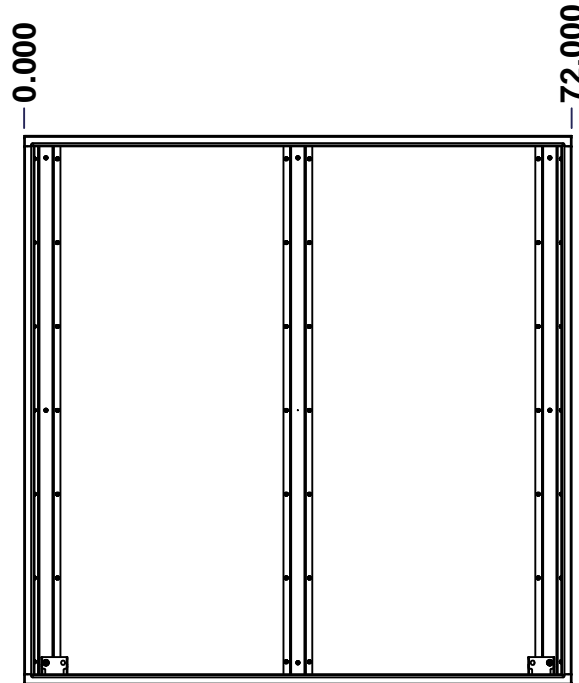
TOP



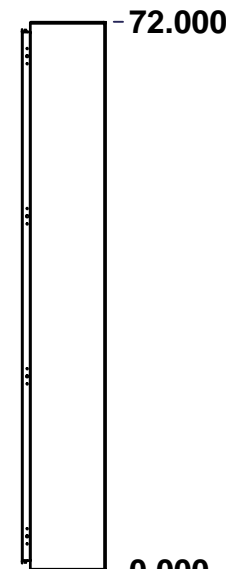
BACK



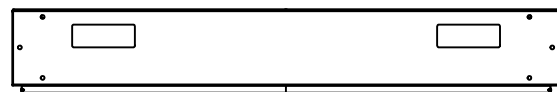
LEFT



FRONT

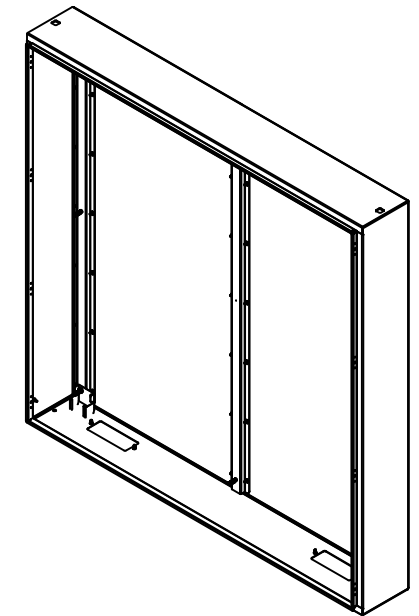


RIGHT



BOTTOM

No.	Revisions	Date	By/Par



Isometric View

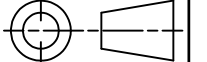


Tél: (450) 979-4373
 Fax: (450) 979-4626
www.exmweb.com

Flatness
Aplatissement

Max 3.0mm

Projection



Customer Client	Date
Drawn By Dessiné Par	Date
Material Matière	12 Ga Stainless Steel 304 (2.5mm)
Color Couleur	Unpainted
Finish Fini	Brushed
Description	Detail Rev.
5500SSDD 72" x 72" x 10" Body	
Part Number Numéro Pièce	Rev.
5500SSDD727210B	0
	1
	2

SEE BILL OF MATERIAL ON LAST PAGE

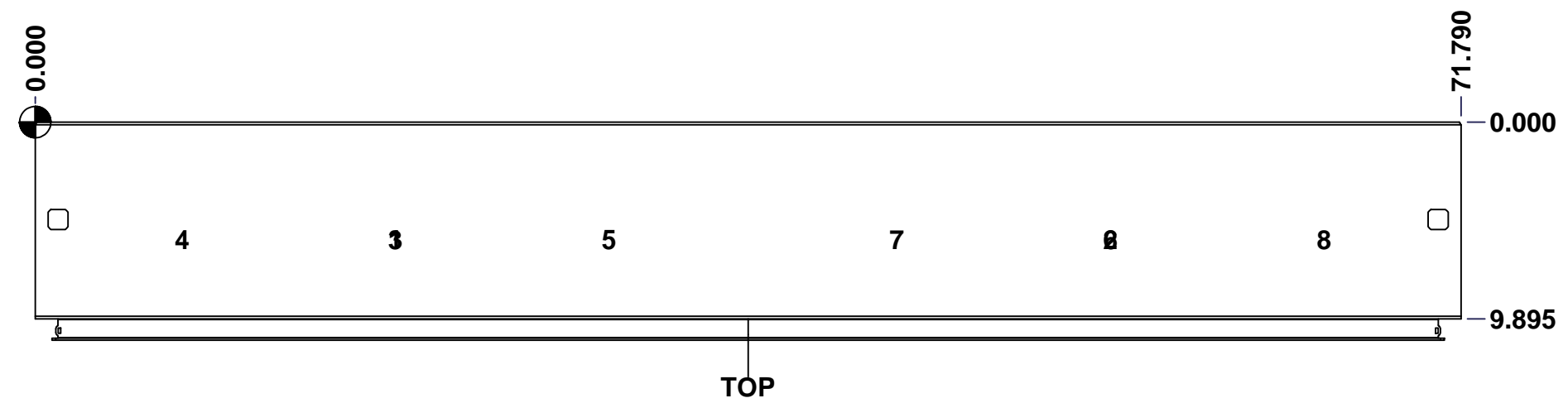
This drawing is confidential and must not be reproduced or used without the consent of EXM

Ce dessin est confidentiel et ne doit pas être reproduit ou utilisé sans le consentement de EXM

STANDARD FEATURES ARE NOT LISTED IN THIS HOLE TABLE

HOLE TABLE - TOP VIEW (CUSTOM FEATURE ONLY)

CUT-OUT	XDIM	YDIM	DESCRIPTION
1	17.895	5.895	Struts CR400 27.500" (Inside)
2	53.895	5.895	Struts CR400 27.500" (Inside)
3	17.895	5.895	STUDS M6 x 10mm (Inside)
4	7.145	5.895	STUDS M6 x 10mm (Inside)
5	28.645	5.895	STUDS M6 x 10mm (Inside)
6	53.895	5.895	STUDS M6 x 10mm (Inside)
7	43.145	5.895	STUDS M6 x 10mm (Inside)
8	64.645	5.895	STUDS M6 x 10mm (Inside)

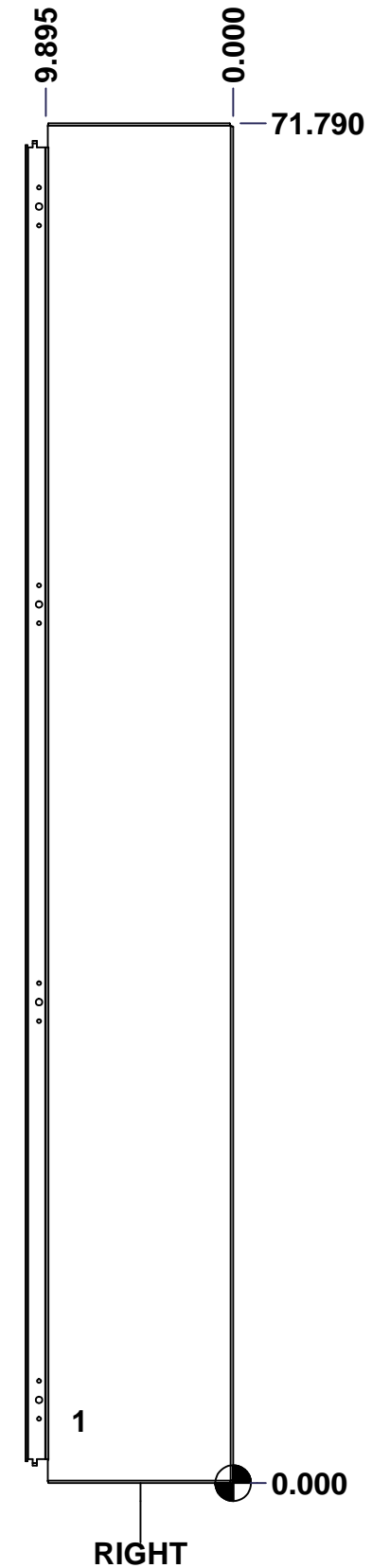


	Description	Status	
	5500SSDD 72" x 72" x 10" Body	Released	
	Part Number Numéro Pièce	Rev.	
	5500SSDD727210B	0	2 / 7

This drawing is confidential and must not be reproduced or used without the consent of EXM

Ce dessin est confidentiel et ne doit pas être reproduit ou utilisé sans le consentement de EXM

STANDARD FEATURES ARE NOT LISTED IN THIS HOLE TABLE			
HOLE TABLE - RIGHT VIEW (CUSTOM FEATURE ONLY)			
CUT-OUT	XDIM	YDIM	DESCRIPTION
1	8.395	3.270	GND STUD M6 x 16mm (Inside)



	Description	Status
	5500SSDD 72" x 72" x 10" Body	Released
	Part Number Numéro Pièce	Rev.
	5500SSDD727210B	0
		3 / 7

This drawing is confidential and must not be reproduced or used without the consent of EXM

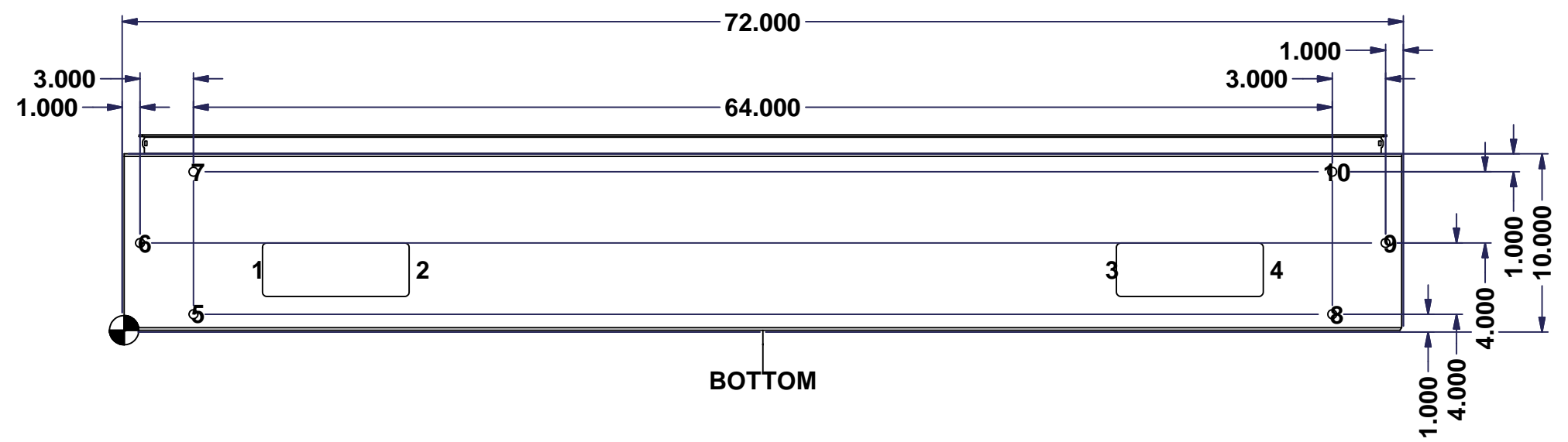
Ce dessin est confidentiel et ne doit pas être reproduit ou utilisé sans le consentement de EXM

STANDARD FEATURES ARE NOT LISTED IN THIS HOLE TABLE

HOLE TABLE - BOTTOM VIEW (CUSTOM FEATURE ONLY)

CUT-OUT	XDIM	YDIM	DESCRIPTION
1	7.270	3.395	GP STUD M6 x 16mm (Inside)
2	16.520	3.395	GP STUD M6 x 16mm (Inside)
3	55.270	3.395	GP STUD M6 x 16mm (Inside)
4	64.520	3.395	GP STUD M6 x 16mm (Inside)

5	3.895	0.895	RND Ø0.500
6	0.895	4.895	RND Ø0.500
7	3.895	8.895	RND Ø0.500
8	67.895	0.895	RND Ø0.500
9	70.895	4.895	RND Ø0.500
10	67.895	8.895	RND Ø0.500

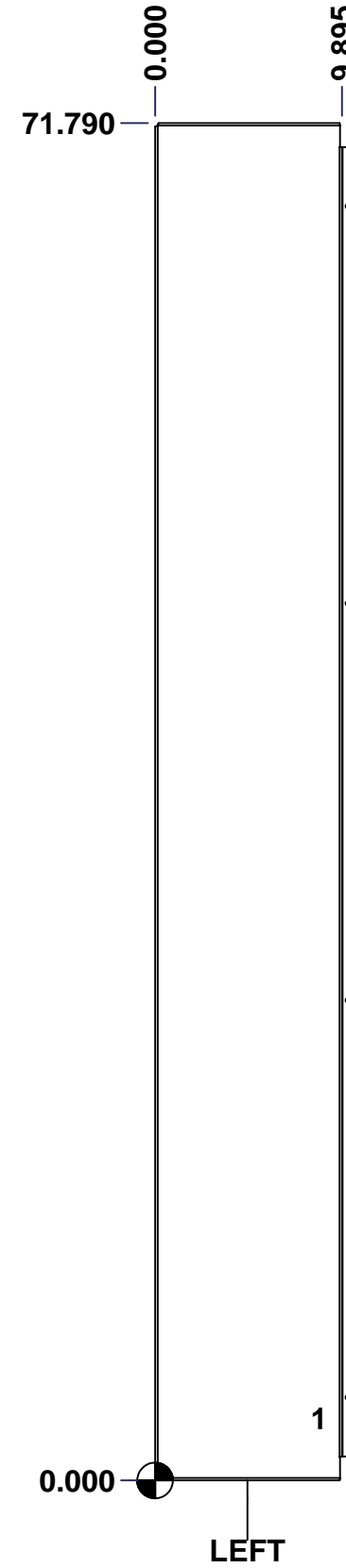


	Description	Status	
	5500SSDD 72" x 72" x 10" Body	Released	
	Part Number Numéro Pièce	Rev.	
	5500SSDD727210B	0	4 / 7

This drawing is confidential and must not be reproduced or used without the consent of EXM

Ce dessin est confidentiel et ne doit pas être reproduit ou utilisé sans le consentement de EXM

STANDARD FEATURES ARE NOT LISTED IN THIS HOLE TABLE			
HOLE TABLE - LEFT VIEW (CUSTOM FEATURE ONLY)			
CUT-OUT	XDIM	YDIM	DESCRIPTION
1	8.395	3.270	GND STUD M6 x 16mm (Inside)

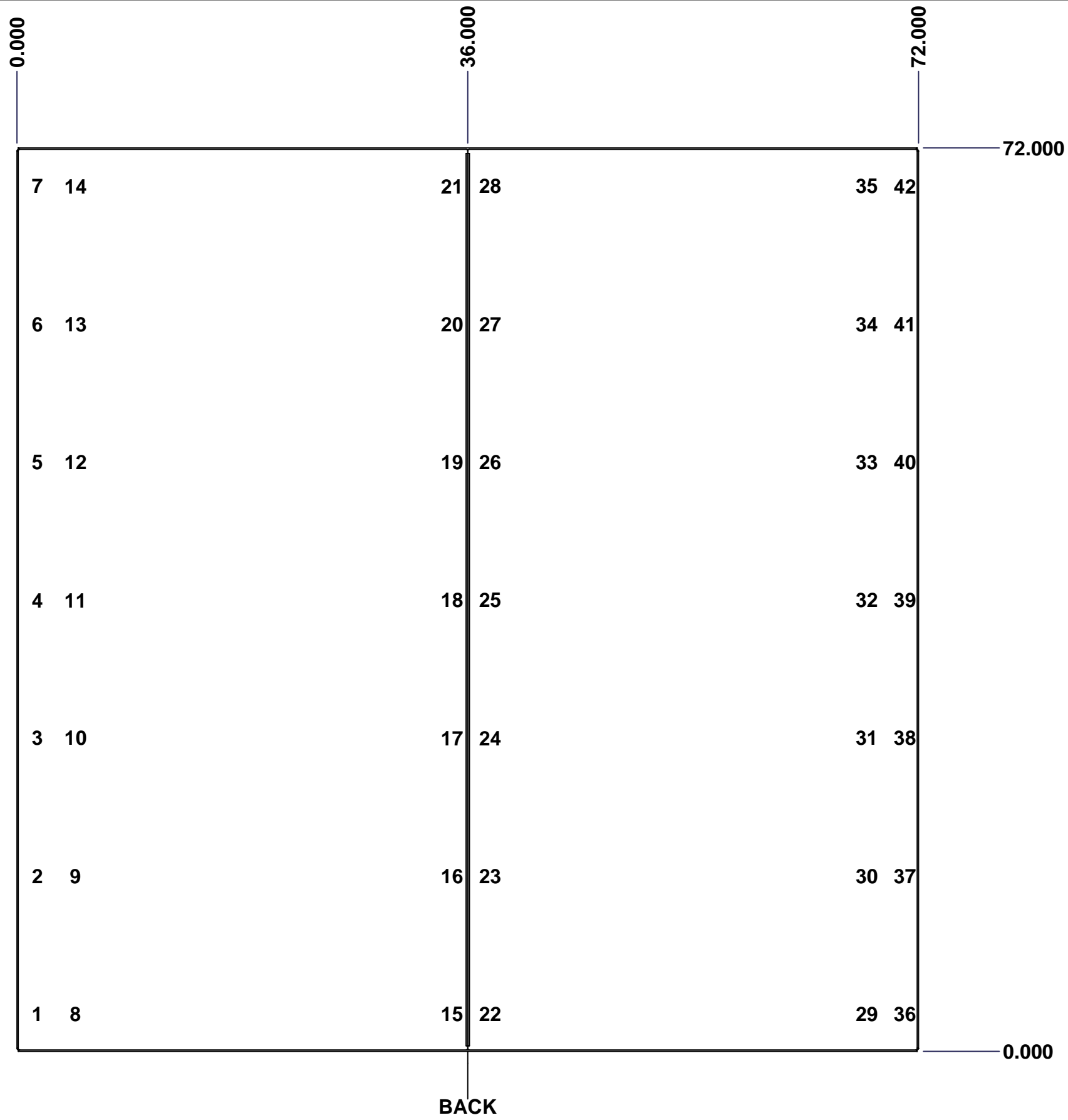


	Description	Status	
	5500SSDD 72" x 72" x 10" Body	Released	
	Part Number Numéro Pièce	Rev.	5
	5500SSDD727210B	0	7

This drawing is confidential and must not be reproduced or used without the consent of EXM

Ce dessin est confidentiel et ne doit pas être reproduit ou utilisé sans le consentement de EXM

STANDARD FEATURES ARE NOT LISTED IN THIS HOLE TABLE			
HOLE TABLE - BACK VIEW (CUSTOM FEATURE ONLY)			
CUT-OUT	XDIM	YDIM	DESCRIPTION
1	1.355	3.000	STUDS M6 x 18mm (Inside)
2	1.355	14.000	STUDS M6 x 18mm (Inside)
3	1.355	25.000	STUDS M6 x 18mm (Inside)
4	1.355	36.000	STUDS M6 x 18mm (Inside)
5	1.355	47.000	STUDS M6 x 18mm (Inside)
6	1.355	58.000	STUDS M6 x 18mm (Inside)
7	1.355	69.000	STUDS M6 x 18mm (Inside)
8	4.395	3.000	STUDS M6 x 18mm (Inside)
9	4.395	14.000	STUDS M6 x 18mm (Inside)
10	4.395	25.000	STUDS M6 x 18mm (Inside)
11	4.395	36.000	STUDS M6 x 18mm (Inside)
12	4.395	47.000	STUDS M6 x 18mm (Inside)
13	4.395	58.000	STUDS M6 x 18mm (Inside)
14	4.395	69.000	STUDS M6 x 18mm (Inside)
15	34.480	3.000	STUDS M6 x 18mm (Inside)
16	34.480	14.000	STUDS M6 x 18mm (Inside)
17	34.480	25.000	STUDS M6 x 18mm (Inside)
18	34.480	36.000	STUDS M6 x 18mm (Inside)
19	34.480	47.000	STUDS M6 x 18mm (Inside)
20	34.480	58.000	STUDS M6 x 18mm (Inside)
21	34.480	69.000	STUDS M6 x 18mm (Inside)
22	37.520	3.000	STUDS M6 x 18mm (Inside)
23	37.520	14.000	STUDS M6 x 18mm (Inside)
24	37.520	25.000	STUDS M6 x 18mm (Inside)
25	37.520	36.000	STUDS M6 x 18mm (Inside)
26	37.520	47.000	STUDS M6 x 18mm (Inside)
27	37.520	58.000	STUDS M6 x 18mm (Inside)
28	37.520	69.000	STUDS M6 x 18mm (Inside)
29	67.605	3.000	STUDS M6 x 18mm (Inside)
30	67.605	14.000	STUDS M6 x 18mm (Inside)
31	67.605	25.000	STUDS M6 x 18mm (Inside)
32	67.605	36.000	STUDS M6 x 18mm (Inside)
33	67.605	47.000	STUDS M6 x 18mm (Inside)
34	67.605	58.000	STUDS M6 x 18mm (Inside)
35	67.605	69.000	STUDS M6 x 18mm (Inside)
36	70.645	3.000	STUDS M6 x 18mm (Inside)
37	70.645	14.000	STUDS M6 x 18mm (Inside)
38	70.645	25.000	STUDS M6 x 18mm (Inside)
39	70.645	36.000	STUDS M6 x 18mm (Inside)
40	70.645	47.000	STUDS M6 x 18mm (Inside)
41	70.645	58.000	STUDS M6 x 18mm (Inside)
42	70.645	69.000	STUDS M6 x 18mm (Inside)



	Description	Status
	5500SSDD 72" x 72" x 10" Body	Released
	Part Number Numéro Pièce	Rev.
	5500SSDD727210B	0
		6
		7

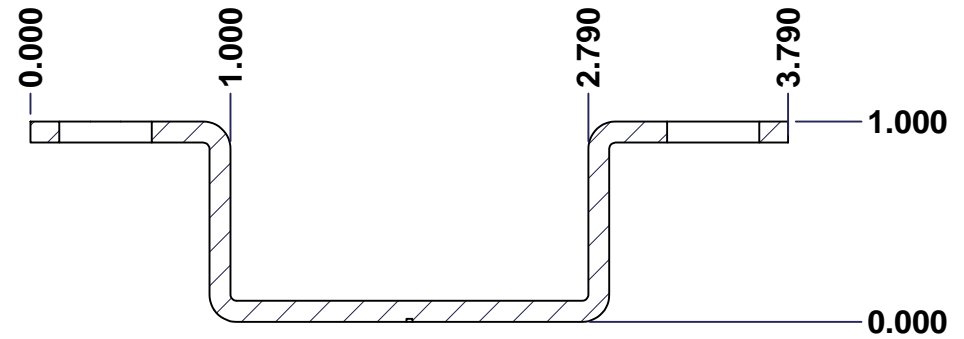
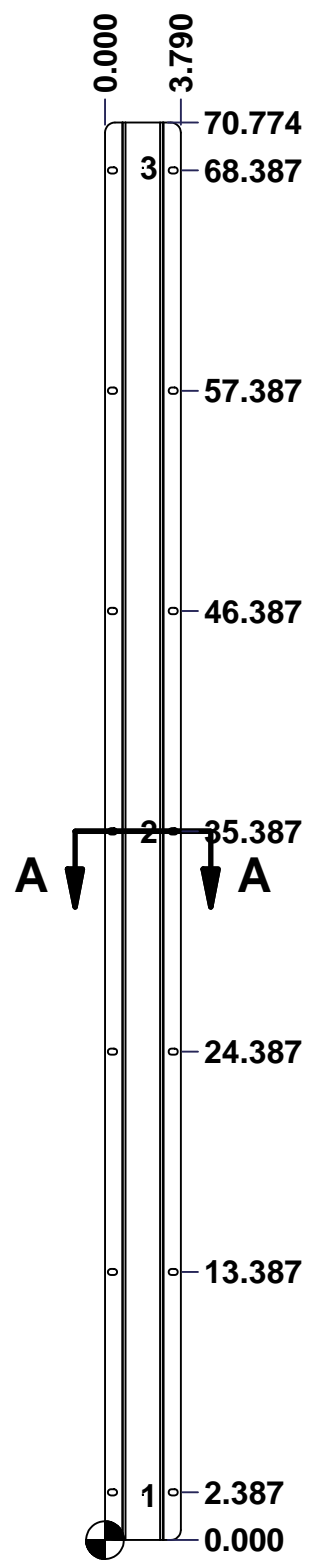
This drawing is confidential and must not be reproduced or used without the consent of EXM

Ce dessin est confidentiel et ne doit pas être reproduit ou utilisé sans le consentement de EXM

STANDARD FEATURES ARE NOT LISTED IN THIS HOLE TABLE

HOLE TABLE - CENTER VIEW (CUSTOM FEATURE ONLY)

CUT-OUT	XDIM	YDIM	DESCRIPTION
1	1.895	2.262	IP STUD M10 x 40mm (Outside)
2	1.895	35.387	IP STUD M10 x 40mm (Outside)
3	1.895	68.512	IP STUD M10 x 40mm (Outside)



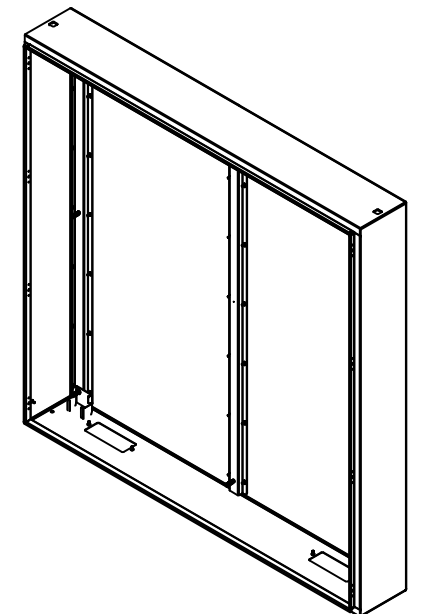
SECTION A-A

	Description	Status	
	5500SSDD 72" x 72" x 10" Body	Released	
	Part Number Numéro Pièce	Rev.	
	5500SSDD727210B	0	6 7

This drawing is confidential and must not be reproduced or used without the consent of EXM

Ce dessin est confidentiel et ne doit pas être reproduit ou utilisé sans le consentement de EXM

No.	Revisions	Date	By/Par



Isometric View

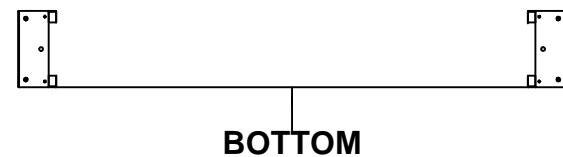
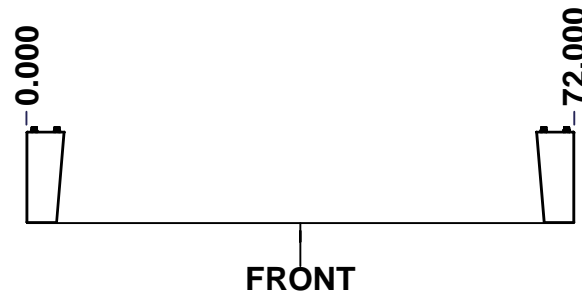
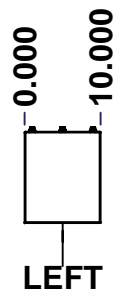
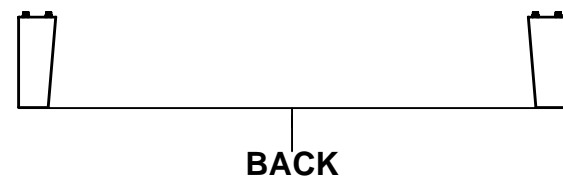
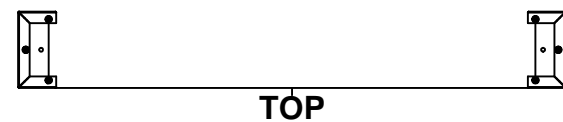


42	STK-Q-16070	1	Stud M6 x 18mm Stainless Steel
6	STK-Q-16040	0	Stud M6 x 10mm Stainless Steel
2	STK-Q-16085	0	Ground Stud M6 x 16mm Stainless Steel
4	STK-Q-16095	0	M6 x 16mm Stainless Steel Ground Stud
8	STK-Q-16120	0	Stud M10 x 40mm Stainless Steel
2	STK-Q-07320	0	Flange Lock Nut M10
2	STK-Q-07618	1	5500 Series Inner Panel Support Bracket
3	5500SSDD727210POST-P	0	5500SSDD 72" IP Post Part
1	5500SSDD727210BT-P	0	5500SSDD 72" x 10" Bottom Part
1	5500SSDD727210T-P	0	5500SSDD 72" x 10" Top Part
1	5500SSDD727210RS-P	0	5500SSDD 72" x 72" Right Part
1	5500SSDD727210LS-P	0	5500SSDD 72" x 72" Left Part
1	5500SSDD727210BR-P	0	5500SSDD 72" x 72" Back Right Part
1	5500SSDD727210BL-P	0	5500SSDD 72" x 72" Back Left Part
2	CR400SS_27.5	0	Commercial Roll Stainless Steel (27.5in long)
48	STK-Q-07220	1	M6 Nylon Insert Lock Nut
Qty	Part Number	Rev	Description
Parts List			

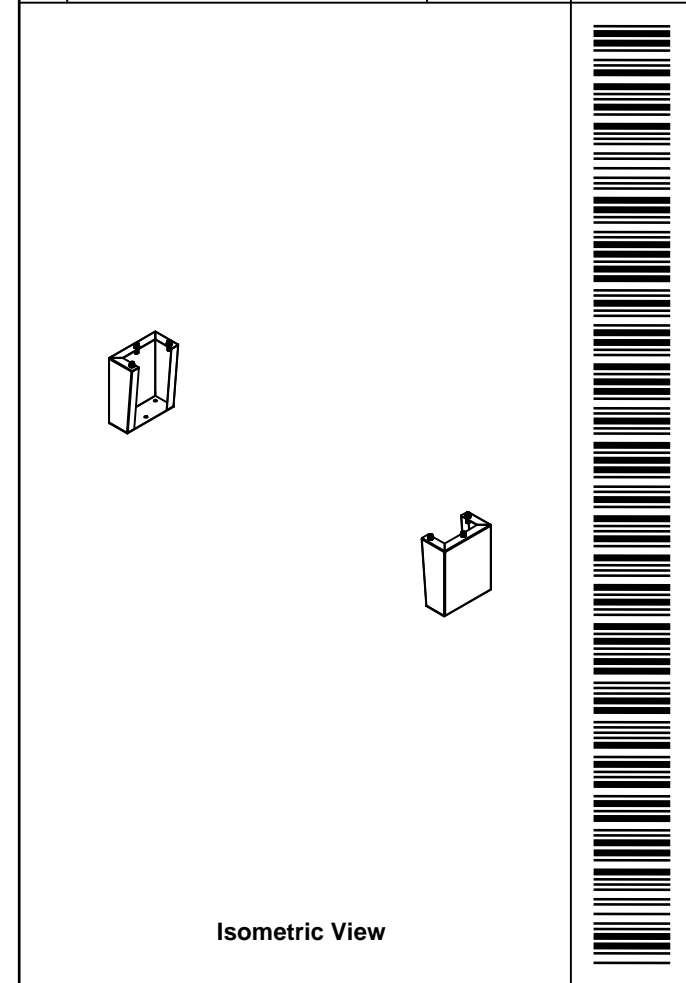
Tél: (450) 979-4373 Fax: (450) 979-4626 www.exmweb.com	Flatness Aplatissement
	Max 3.0mm
Projection	
Customer Client	Date
Drawn By Dessiné Par	Date 10-Mar-16
Material Matière	12 Ga Stainless Steel 304 (2.5mm)
Color Couleur	Unpainted
Finish Fini	Brushed
Description	Detail Rev.
5500SSDD 72" x 72" x 10" Body	
Part Number Numéro Pièce	Rev. 2
5500SSDD727210B	0



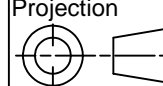
This drawing is confidential and must not be reproduced or used without the consent of EXM

Ce dessin est confidentiel et ne doit pas être reproduit ou utilisé sans le consentement de EXM



No.	Revisions	Date	By/Par



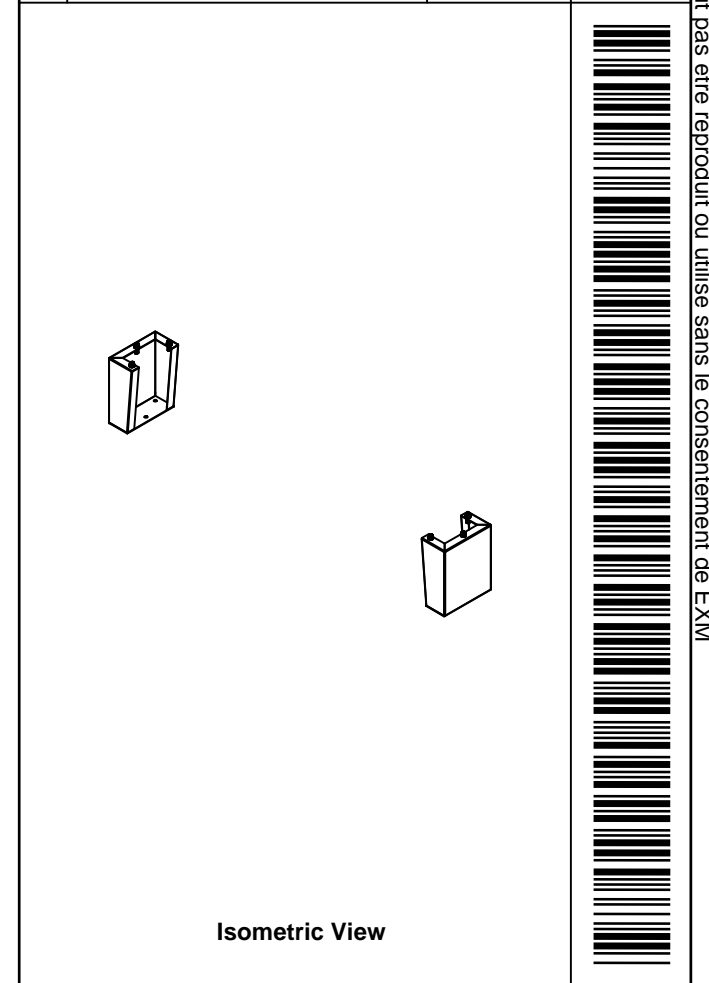
 Tél: (450) 979-4373 Fax: (450) 979-4626 www.exmweb.com		Flatness Aplatissement  Max 3.0mm Projection 
Customer Client	Date	
Drawn By / Dessiné Par: BoxCad: BoxCad	Date: 10-Mar-16	
Material / Matière: 12 Ga Stainless Steel 304 (2.5mm)	Color / Couleur: Unpainted	
	Finish / Fini: Brushed	
Description: 885 MFHD 12" x 10" Mounting Feet		Detail Rev.
Part Number / Numéro Pièce: 5500SSDD727210MF	Rev. 0	1 / 4


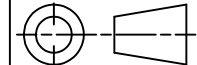
SEE BILL OF MATERIAL ON LAST PAGE

This drawing is confidential and must not be reproduced or used without the consent of EXM

Ce dessin est confidentiel et ne doit pas être reproduit ou utilisé sans le consentement de EXM

No.	Revisions	Date	By/Par

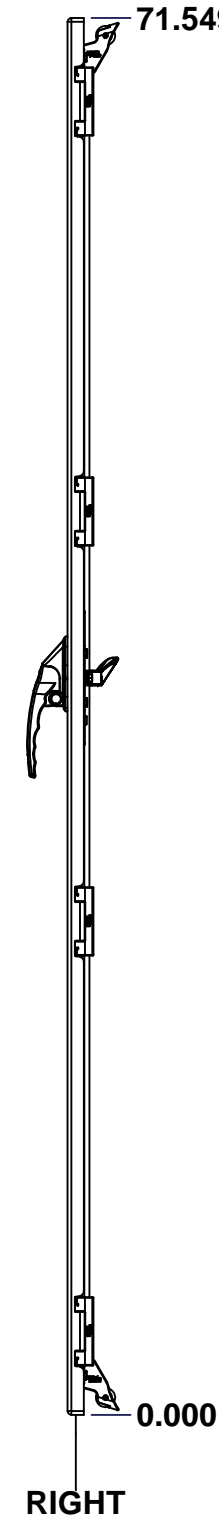
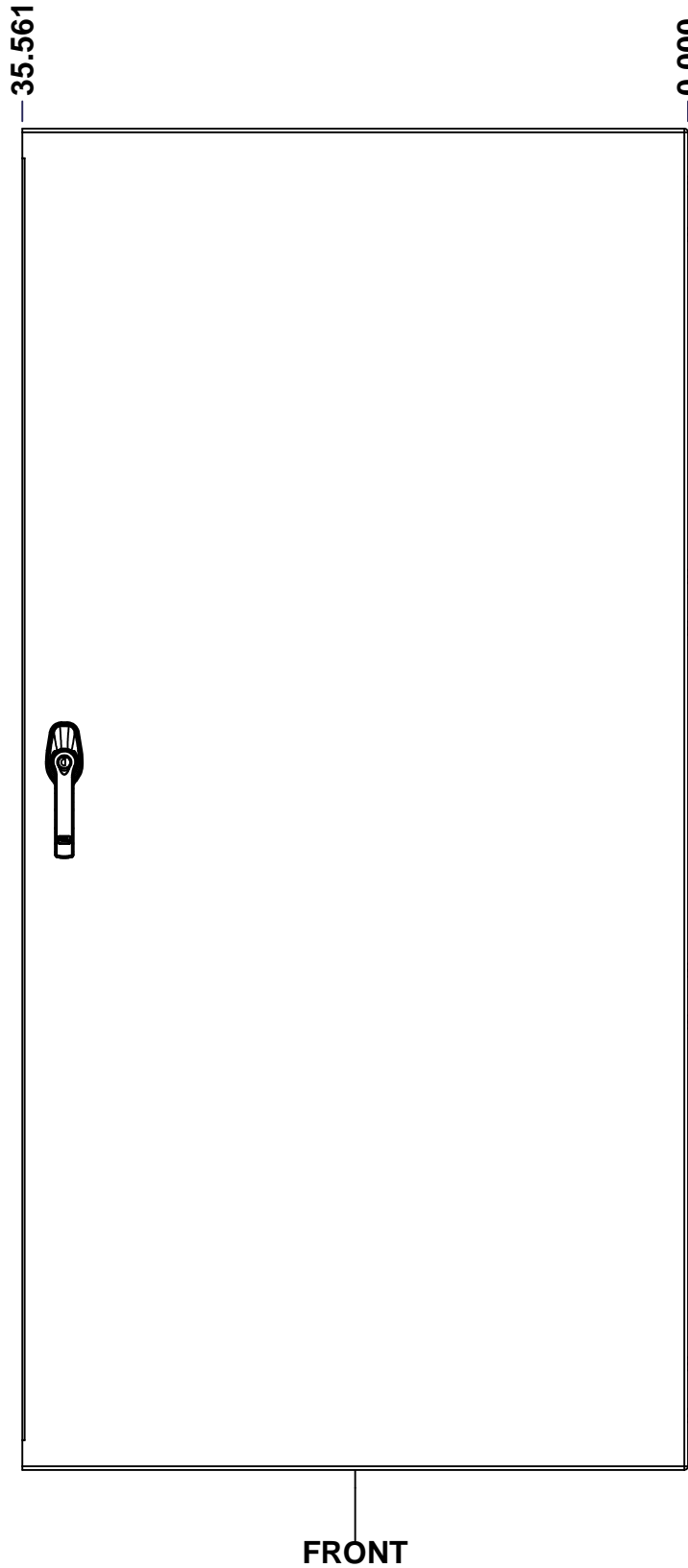
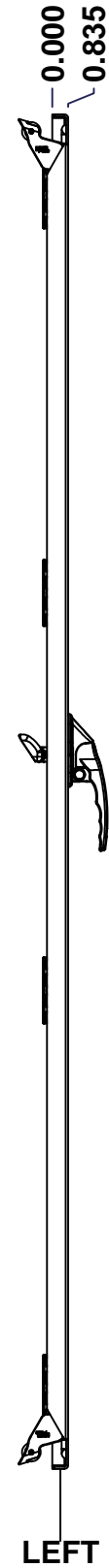
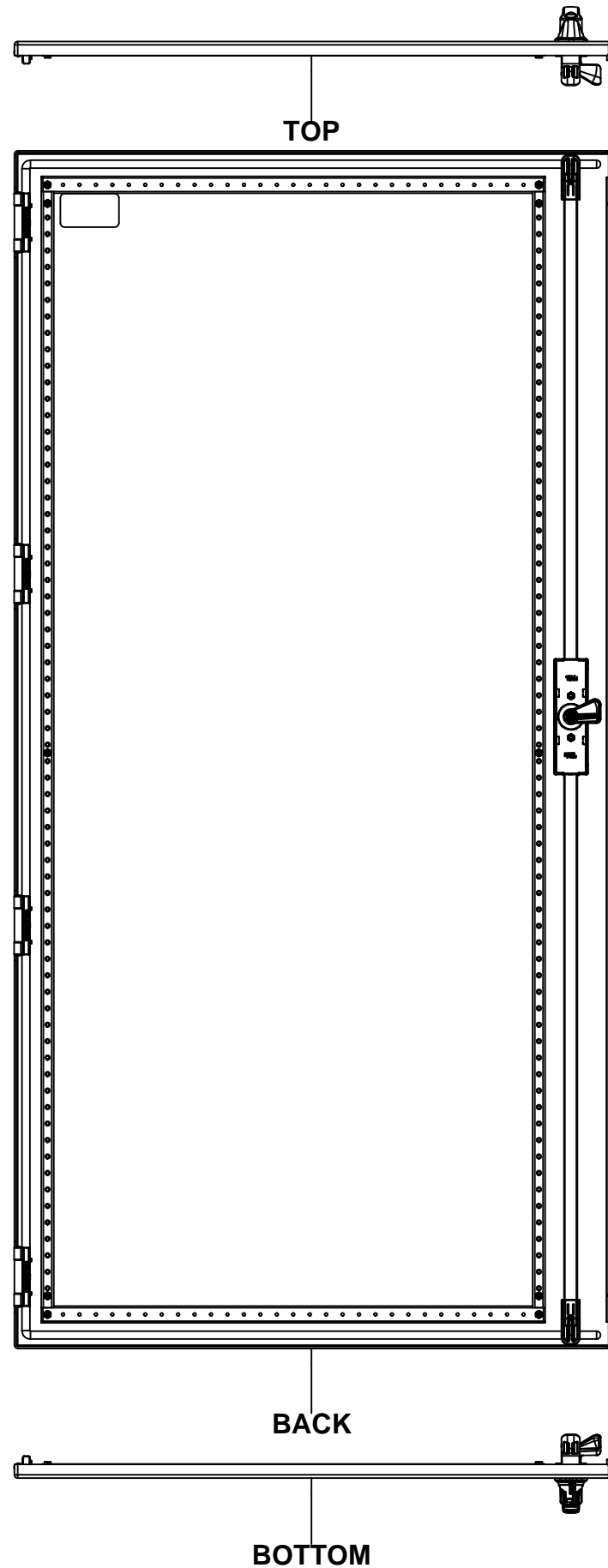


 Tél: (450) 979-4373 Fax: (450) 979-4626 www.exmweb.com		Flatness Aplatissement Max 3.0mm Projection 
Customer Client	Date	
Drawn By Dessiné Par	BoxCad: BoxCad	Date 10-Mar-16
Material Matière	12 Ga Stainless Steel 304 (2.5mm)	
Color Couleur	Unpainted	Finish Fini Brushed
Description		Detail Rev.
885 MFHD 12" x 10" Mounting Feet		
Part Number Numéro Pièce	Rev.	4
5500SSDD727210MF	0	4

Qty	Part Name	Rev	Description
6	RIVET_NUT_SS_M10_FH _CE	0	Stainless Steel Rivet Nut M10 (Low Profile Close End)
1	5500SSDD727210MFR-P	0	885 MFHD 12" x 10" Right Mounting Feet Part
1	5500SSDD727210MFL-P	0	885 MFHD 12" x 10" Left Mounting Feet Part
1	STK-K-11610	2	885 MFSS Accessory Kit
Parts List			

This drawing is confidential and must not be reproduced or used without the consent of EXM

Ce dessin est confidentiel et ne doit pas être reproduit ou utilisé sans le consentement de EXM



No.	Revisions	Date	By/Par

Isometric View

Tél: (450) 979-4373 Fax: (450) 979-4626 www.exmweb.com		Flatness Aplatissement
		Max 3.0mm
Customer Client		Date
Drawn By Dessiné Par	BoxCad: BoxCad	Date 10-Mar-16
Material Matière	12 Ga Stainless Steel 304 (2.5mm)	
Color Couleur	Unpainted	Finish Fini: Brushed
Description		Detail Rev.
5500SSDD 72" x 72" Lock Door		
Part Number Numéro Pièce	Rev. 0	1 / 3

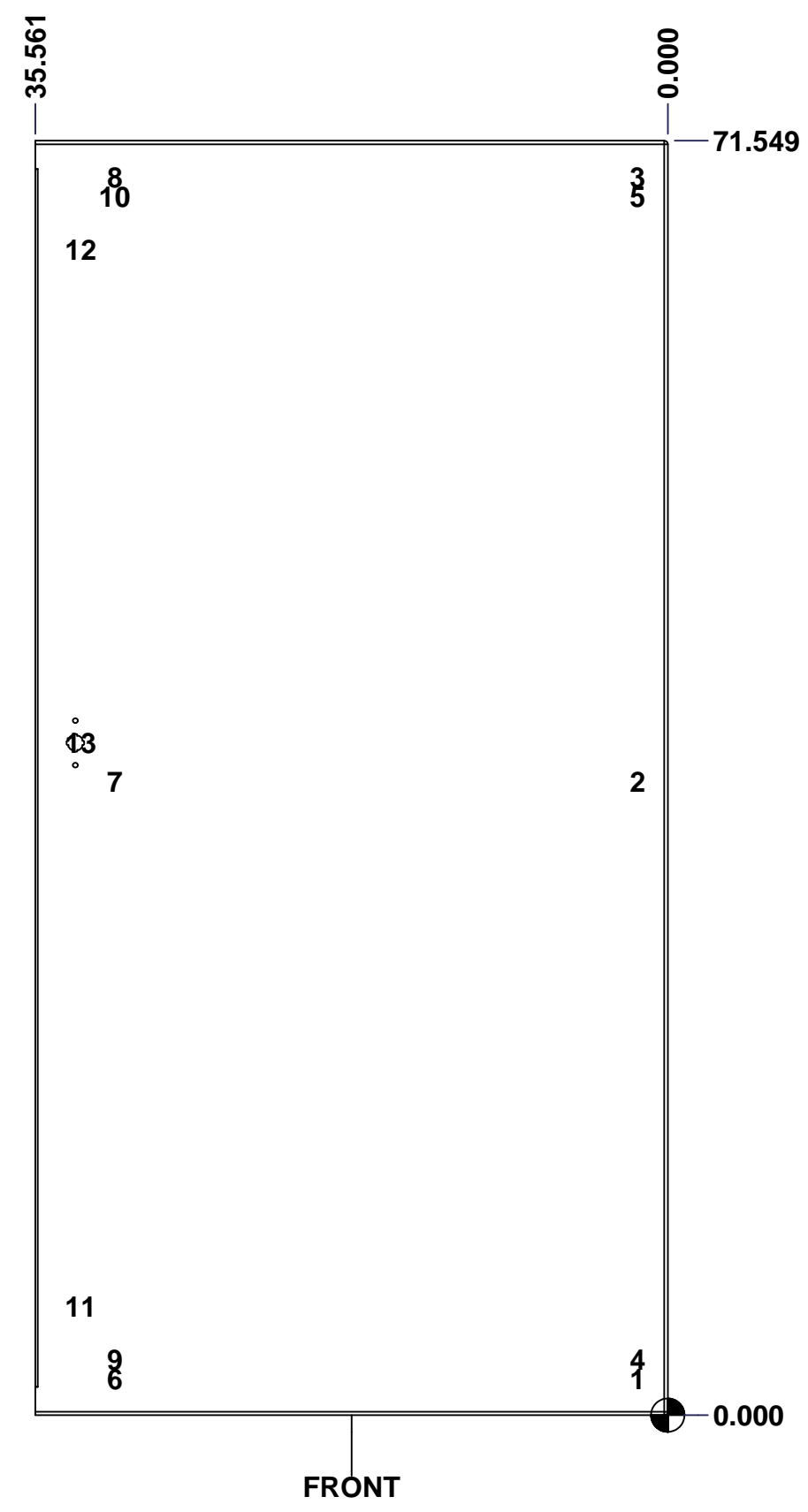
SEE BILL OF MATERIAL ON LAST PAGE

5500SSDD727210LD

This drawing is confidential and must not be reproduced or used without the consent of EXM

Ce dessin est confidentiel et ne doit pas être reproduit ou utilisé sans le consentement de EXM

STANDARD FEATURES ARE NOT LISTED IN THIS HOLE TABLE			
HOLE TABLE - FRONT VIEW (CUSTOM FEATURE ONLY)			
CUT-OUT	XDIM	YDIM	DESCRIPTION
1	1.983	2.028	STUD M6 x 18mm (Inside)
2	1.983	35.580	STUD M6 x 18mm (Inside)
3	1.983	69.521	STUD M6 x 18mm (Inside)
4	1.983	3.139	STUD M6 x 18mm (Inside)
5	1.983	68.409	STUD M6 x 18mm (Inside)
6	31.390	2.028	STUD M6 x 18mm (Inside)
7	31.390	35.580	STUD M6 x 18mm (Inside)
8	31.390	69.521	STUD M6 x 18mm (Inside)
9	31.390	3.139	STUD M6 x 18mm (Inside)
10	31.390	68.409	STUD M6 x 18mm (Inside)
11	33.311	6.118	STUD M6 x 18mm (Inside)
12	33.311	65.430	STUD M6 x 18mm (Inside)
-----	-----	-----	-----
13	33.311	37.743	HANDLE 885 ESL2A-APHKSS @ 0.0°

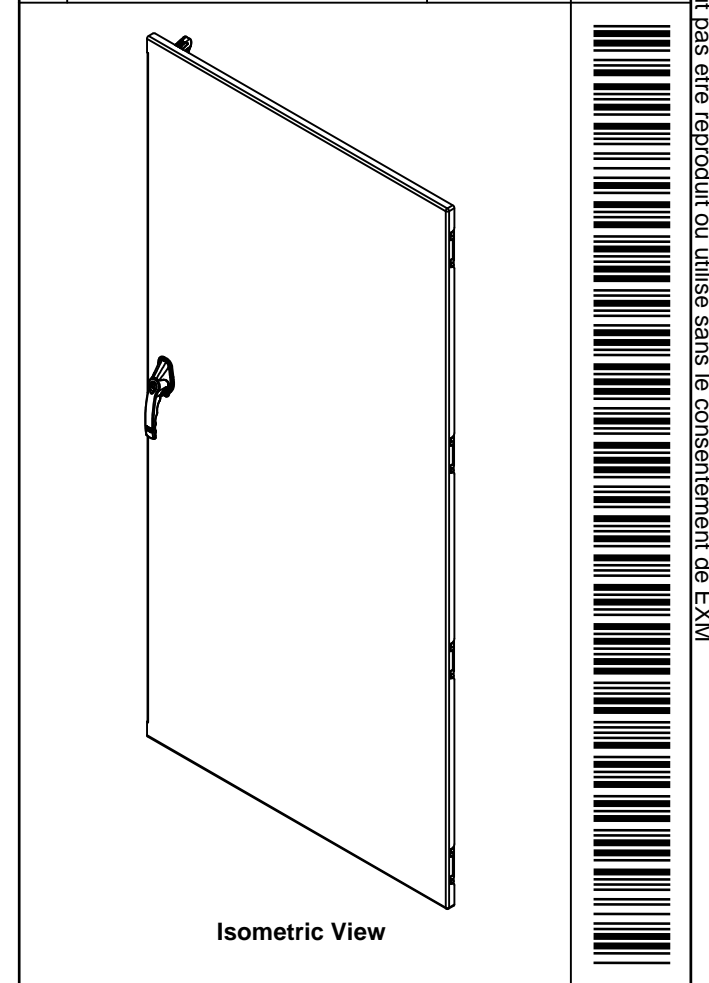


	Description	Status
	5500SSDD 72" x 72" Lock Door	(NULL)
	Part Number Numéro Pièce	Rev.
	5500SSDD727210LD	0
		2
		3

This drawing is confidential and must not be reproduced or used without the consent of EXM


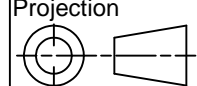
Ce dessin est confidentiel et ne doit pas être reproduit ou utilisé sans le consentement de EXM

No.	Revisions	Date	By/Par



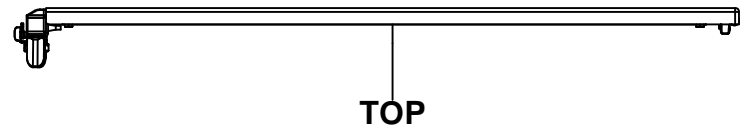
Qty	Part Name	Rev	Description
1	STK-Q-47522	1	5500 DDS Lower Closing Bar 72"
1	STK-Q-47512	0	5500 DDS Upper Closing Bar 72"
1	STK-A-03986-36	2	Gearbox Counterclockwise Assembly (36.0mm)
1	885ESL2A-APHKSS	7	885 ESL2A-APHKSS - Stainless Steel L-Handle Padlockable Assy
1	STK-S-00100	0	3.5" x 2" Silver Milar Flexcon Sticker
1	5500SSDD727210LDG	0	5500SSDD 72" x 72" Lock Door Gasket
1	STK-K-10730	3	5500 DDS - Door Stiffener Assembly
2	STK-Q-16410	0	Guide Stud - Largel (No Paint Cap Required)
10	STK-Q-16070	1	Stud M6 x 18mm Stainless steel
1	5500SSDD727210LD-P	0	5500SSDD 72" x 72" Lock Door Part
4	STK-K-09870	7	Cabinet Hinge with Captive Pins
2	STK-A-90025	0	9500 - Cabinet Closing Bar End (Large)

Parts List

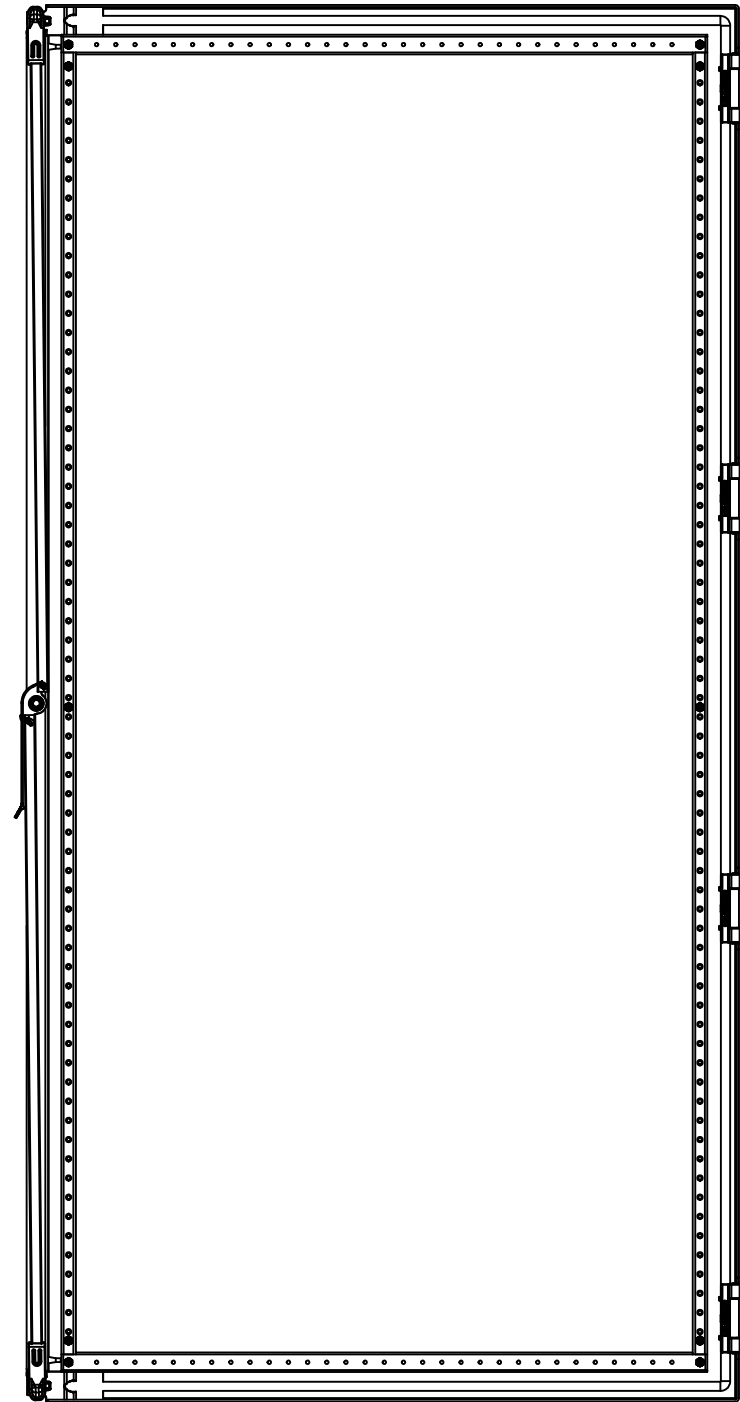
 Tél: (450) 979-4373 Fax: (450) 979-4626 www.exmweb.com		Flatness Aplatissement Max 3.0mm Projection 
Customer Client	Date	Date
Drawn By Dessiné Par	BoxCad: BoxCad	10-Mar-16
Material Matière	12 Ga Stainless Steel 304 (2.5mm)	
Color Couleur	Unpainted	Finish Fini: Brushed
Description	5500SSDD 72" x 72" Lock Door	
Part Number Numéro Pièce	Rev.	3
5500SSDD727210LD	0	3

This drawing is confidential and must not be reproduced or used without the consent of EXM

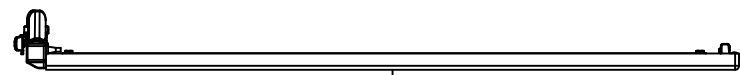
Ce dessin est confidentiel et ne doit pas être reproduit ou utilisé sans le consentement de EXM



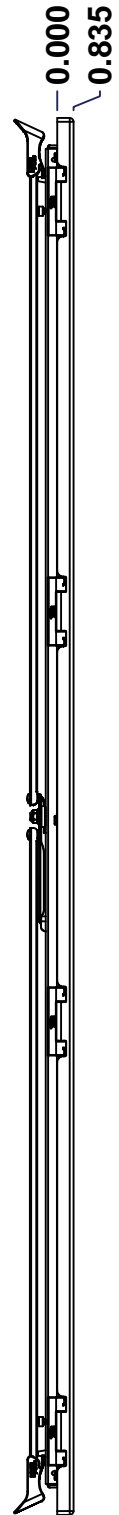
TOP



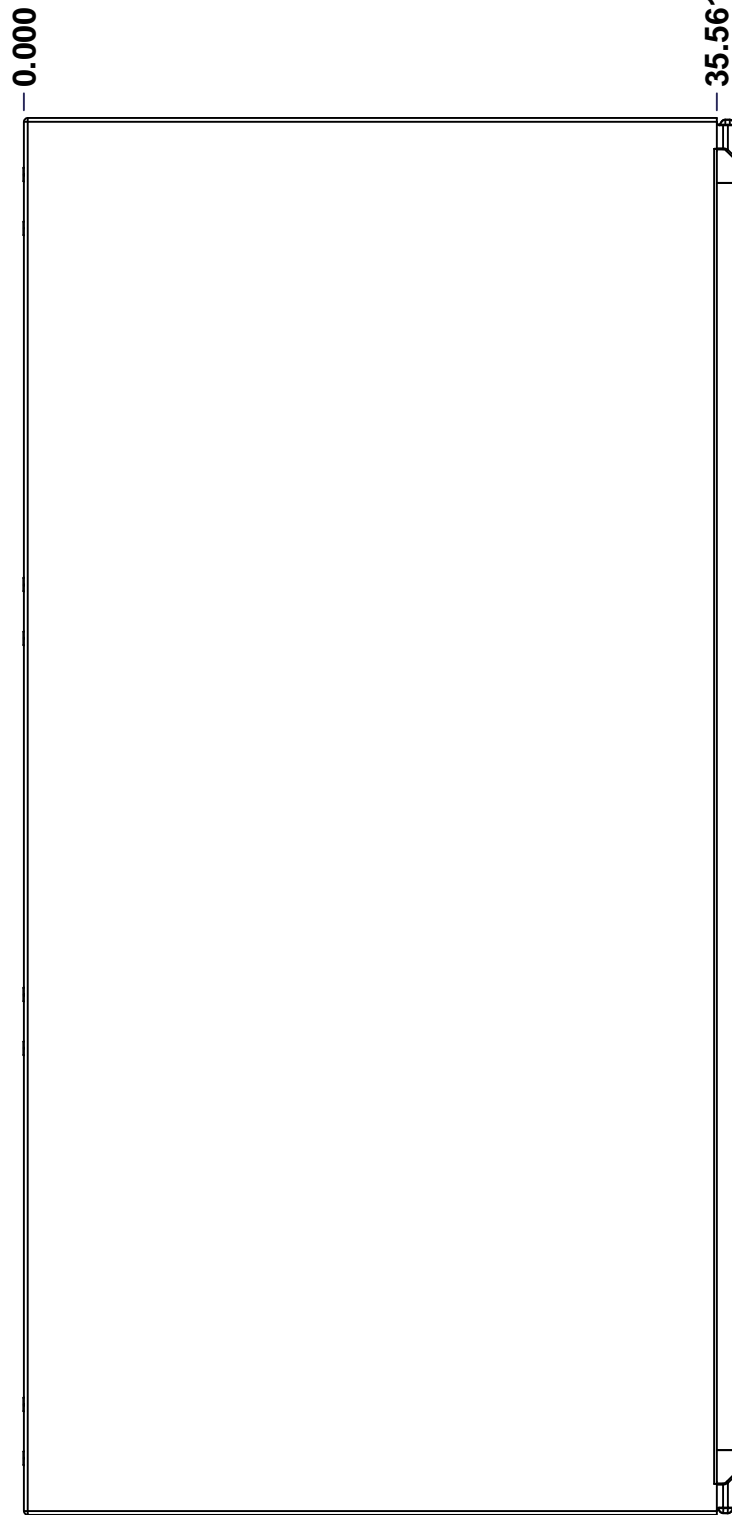
BACK



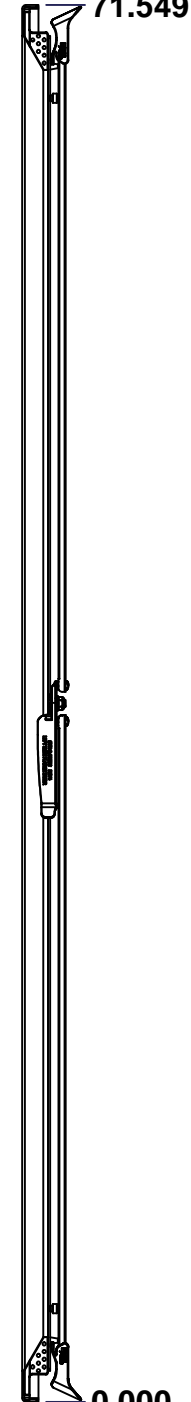
BOTTOM



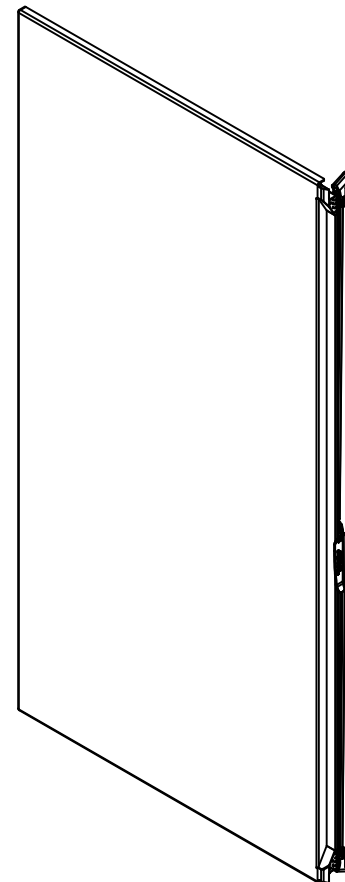
LEFT



FRONT




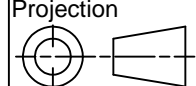
RIGHT



Isometric View



No.	Revisions	Date	By/Par

 Tél: (450) 979-4373 Fax: (450) 979-4626 www.exmweb.com		Flatness Aplatissement Max 3.0mm Projection 
Customer Client	Date	Date
Drawn By Dessiné Par	BoxCad: BoxCad	Date 10-Mar-16
Material Matière	12 Ga Stainless Steel 304 (2.5mm)	
Color Couleur	Unpainted	Finish Fini Brushed
Description	Detail Rev.	
5500SSDD 72" x 72" Flange Door		
Part Number Numéro Pièce	Rev.	
5500SSDD727210FD	0	1 / 3

SEE BILL OF MATERIAL ON LAST PAGE

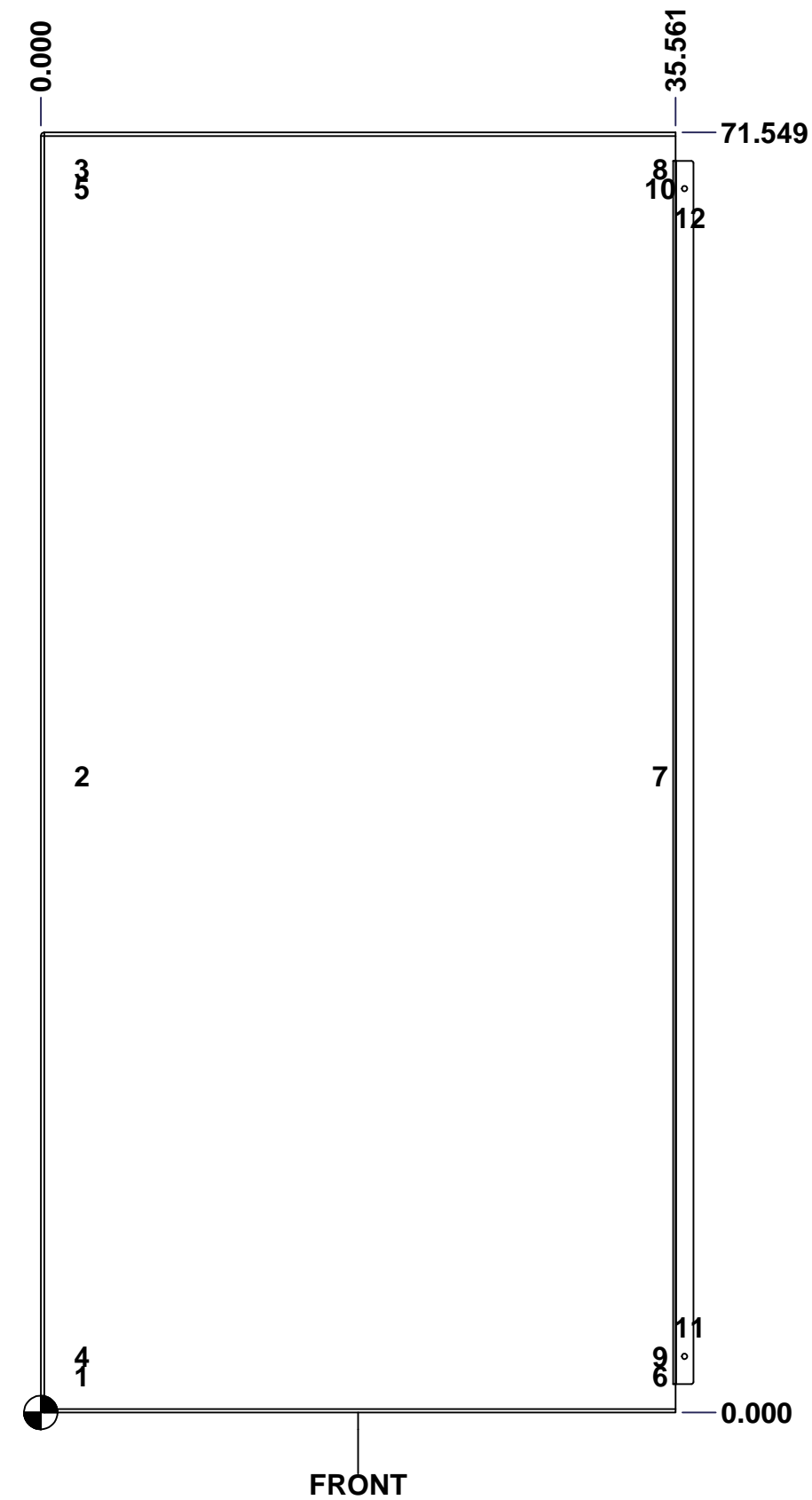
This drawing is confidential and must not be reproduced or used without the consent of EXM

Ce dessin est confidentiel et ne doit pas être reproduit ou utilisé sans le consentement de EXM

STANDARD FEATURES ARE NOT LISTED IN THIS HOLE TABLE

HOLE TABLE - FRONT VIEW (CUSTOM FEATURE ONLY)

CUT-OUT	XDIM	YDIM	DESCRIPTION
1	2.000	2.028	STUD M6 x 18mm (Inside)
2	2.000	35.580	STUD M6 x 18mm (Inside)
3	2.000	69.521	STUD M6 x 18mm (Inside)
4	2.000	3.139	STUD M6 x 18mm (Inside)
5	2.000	68.409	STUD M6 x 18mm (Inside)
6	34.407	2.028	STUD M6 x 18mm (Inside)
7	34.407	35.580	STUD M6 x 18mm (Inside)
8	34.407	69.521	STUD M6 x 18mm (Inside)
9	34.407	3.139	STUD M6 x 18mm (Inside)
10	34.407	68.409	STUD M6 x 18mm (Inside)
11	36.061	4.774	CLOSING BAR GUIDE (Inside)
12	36.061	66.774	CLOSING BAR GUIDE (Inside)
13	36.061	35.774	STUD M10 x 20mm (Inside)



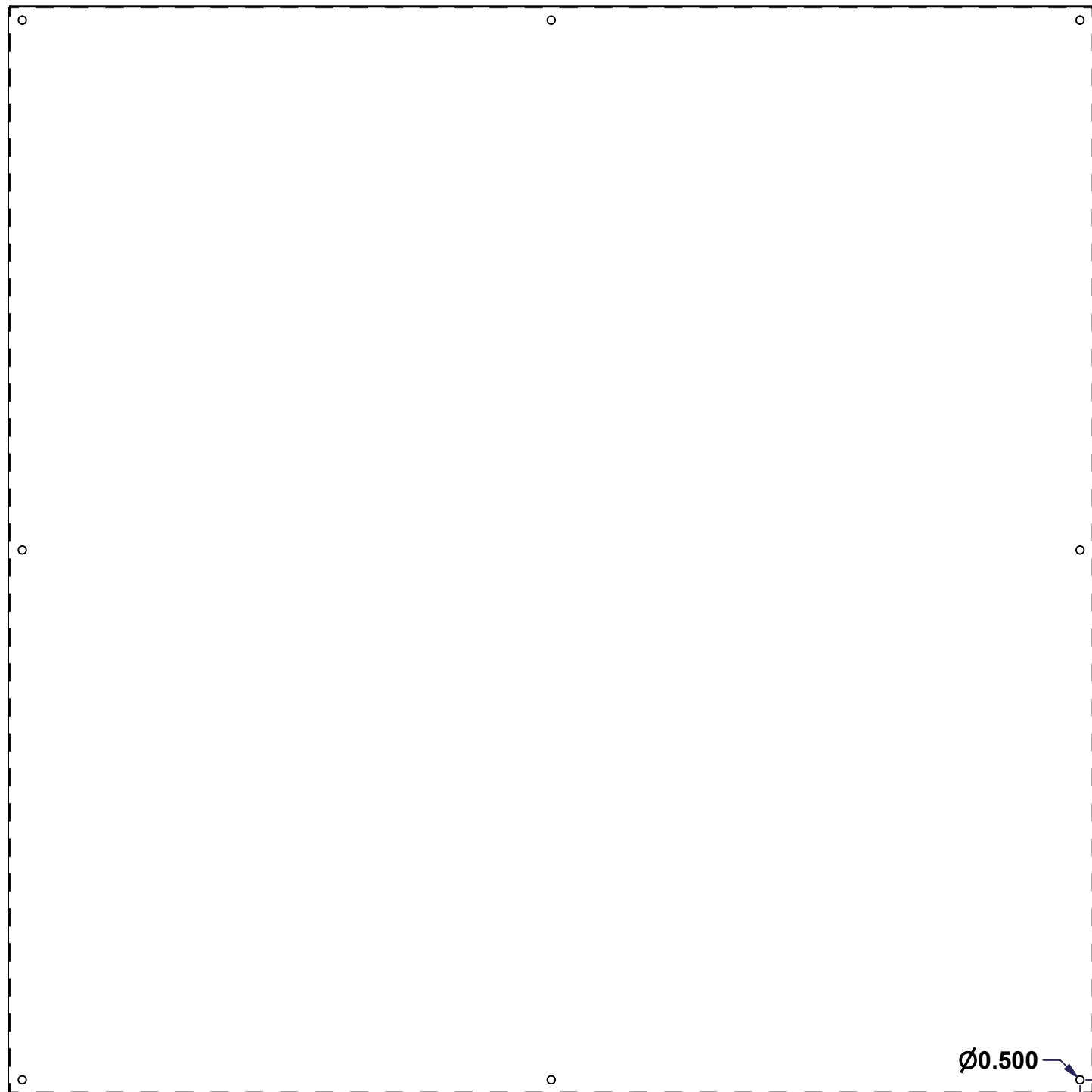
	Description	Status
	5500SSDD 72" x 72" Flange Door	(NULL)
	Part Number Numéro Pièce	Rev.
	5500SSDD727210FD	0
		2
		3

This drawing is confidential and must not be reproduced or used without the consent of EXM

Ce dessin est confidentiel et ne doit pas être reproduit ou utilisé sans le consentement de EXM



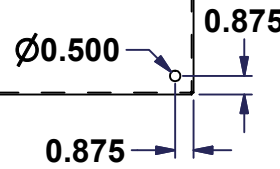
TOP



FRONT



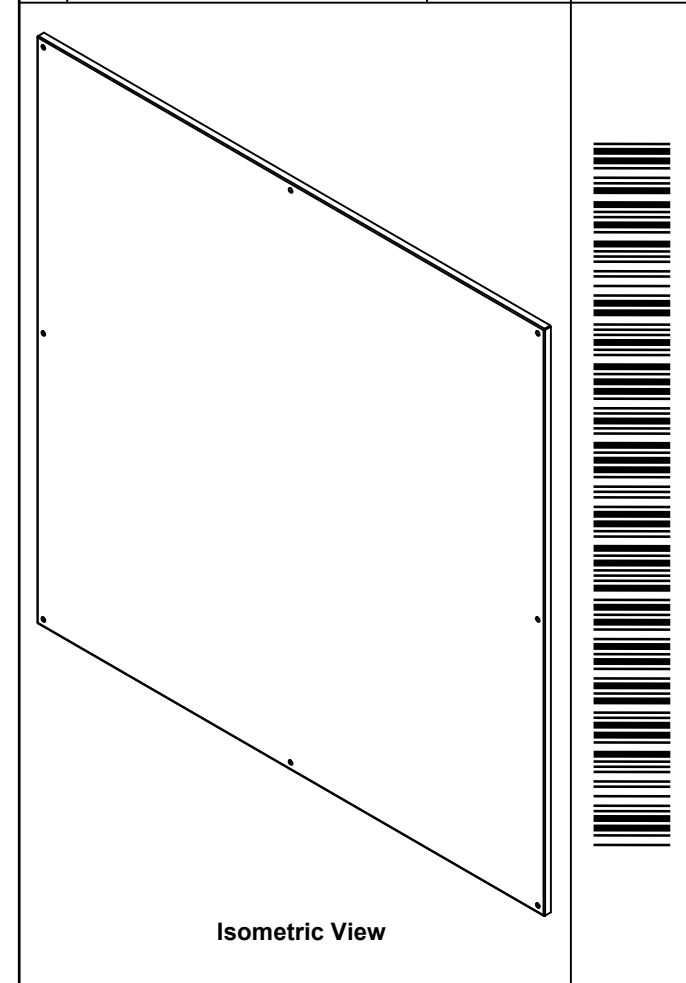
RIGHT



0.000

SEE BILL OF MATERIAL ON LAST PAGE

No.	Revisions	Date	By/Par



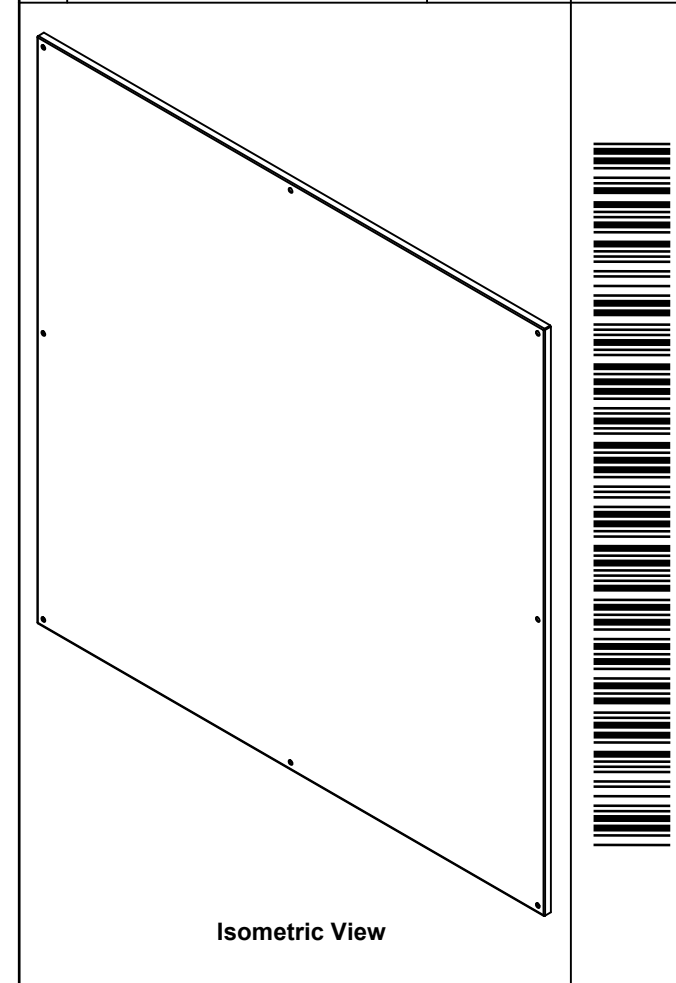
Isometric View


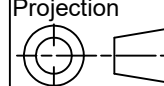
	Flatness Aplatissement Max 3.0mm
	Projection
Customer Client	Date
Drawn By Dessiné Par BoxCad	Date 04/11/2009
Material Matière 12 Ga Galvanized (2.5mm)	
Color Couleur Unpainted	Finish Fini Unpainted
Description 885 SP7272G Inner Panel	
Part Number Numéro Pièce 885SP7272G	
Rev. 0	1 2

This drawing is confidential and must not be reproduced or used without the consent of EXM

Ce dessin est confidentiel et ne doit pas être reproduit ou utilisé sans le consentement de EXM

No.	Revisions	Date	By/Par



 Tél: (450) 979-4373 Fax: (450) 979-4626 www.exmweb.com		Flatness Aplatissement Max 3.0mm
Customer Client		Projection 
Drawn By Dessiné Par BoxCad		Date 04/11/2009
Material Matière 12 Ga Galvanized (2.5mm)		
Color Couleur Unpainted	Finish Fini Unpainted	
Description 885 SP7272G Inner Panel		Detail Rev.
Part Number Numéro Pièce 885SP7272G		Rev. 2 0

Qty	Part Number	Rev	Description
1	885SP7272G-P	0	885 SP7272G Inner Panel Part
Parts List			