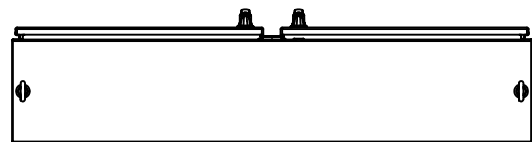
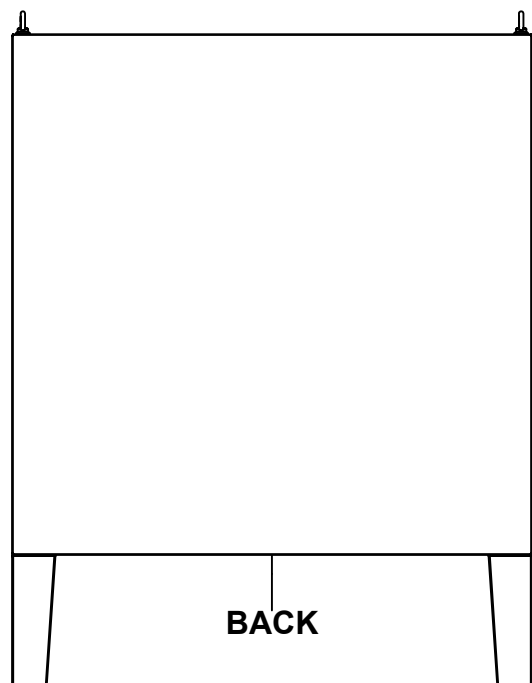


This drawing is confidential and must not be reproduced or used without the consent of EXM

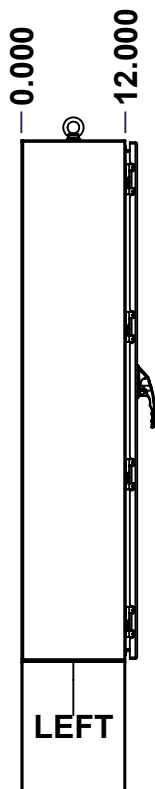
Ce dessin est confidentiel et ne doit pas être reproduit ou utilisé sans le consentement de EXM



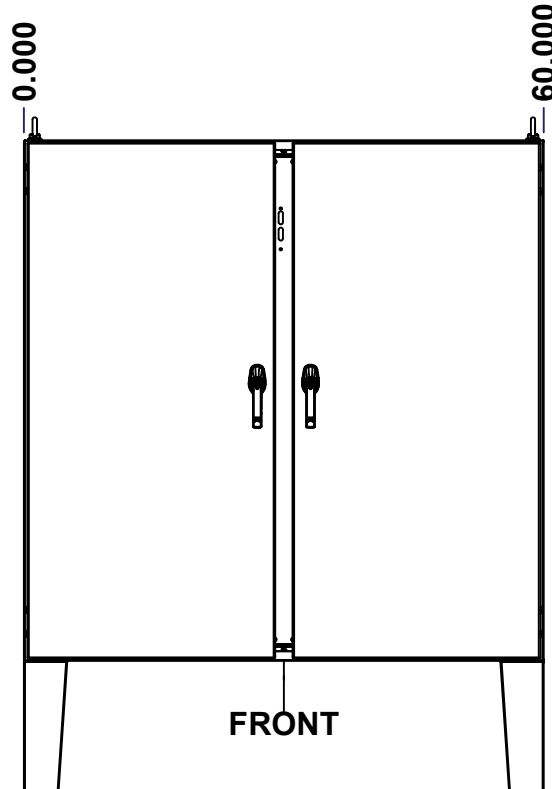
TOP



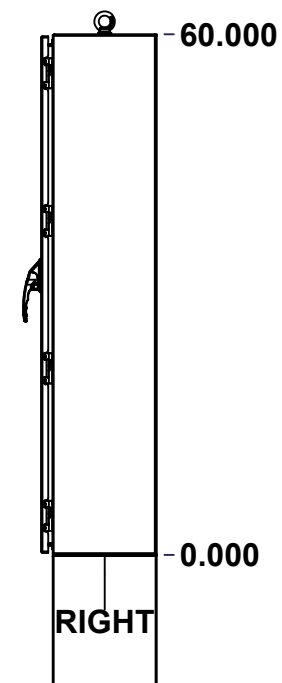
BACK



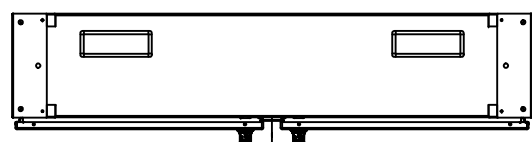
LEFT



FRONT

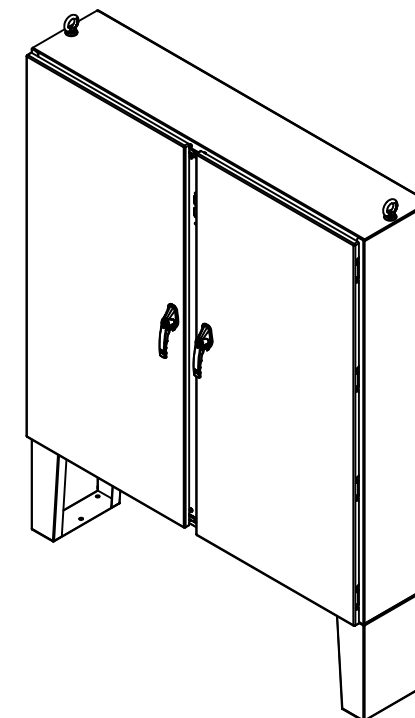


RIGHT



BOTTOM

No.	Revisions	Date	By/Par



Isometric View



Tél: (450) 979-4373
 Fax: (450) 979-4626
www.exmweb.com

Flatness
Aplatissement

Max 3.0mm

Projection



Customer Client	Date
Drawn By Dessiné Par BoxCad: BoxCad	Date 11/3/2014

Material Matière	12 Ga Cold Rolled A1008 CS Type B (2.5mm)
---------------------	---

Color Couleur	Asa-61 Grey	Finish Fini	Smooth
------------------	-------------	----------------	--------

Description	Detail Rev.
5500UCD 60" x 60" x 12" Assembly	

Part Number Numéro Pièce	Rev.	1
5500UCD606012	0	2

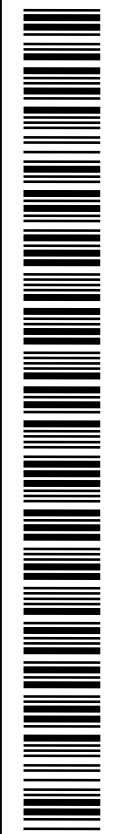
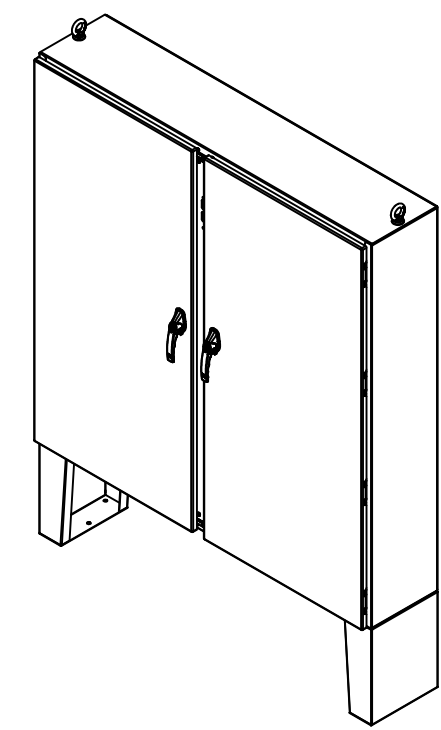
SEE BILL OF MATERIAL ON LAST PAGE

This drawing is confidential and must not be reproduced or used without the consent of EXM

Ce dessin est confidentiel et ne doit pas être reproduit ou utilisé sans le consentement de EXM

NOTE	
ITEM	DESCRIPTION
1	NEMA 12/13 Enclosure
2	C/W Standard ground studs on box and cover
3	W/O Standard door stiffener
4	C/W Standard inner panel (Included)
5	C/W Standard inner panel mounting studs
6	C/W Special handle sold separately (Kit)
7	C/W Eyebolts
8	C/W Mounting feet sold separately (Installed)
9	C/W Struts installed (Included)

No.	Revisions	Date	By/Par



Isometric View



Tél: (450) 979-4373
 Fax: (450) 979-4626
www.exmweb.com

Flatness
Aplatissement
Max 3.0mm
Projection

PACKING		
ITEM	QTY	DESCRIPTION
Cardboard sleeve	2	Top and Bottom
Cardboard strip	2	Between back of enclosure and inner panel
Plastic bag	1	To protect cover surface and inside gasket
Cardboard corner	4	To reinforced for the plastic strap tightening
Plastic strap - Black	2	To Squeeze 2 cardboard sleeve together
Packaging label	3	White label with PN
Plastic strap- Green	2	To secure the enclosure to the wood pallet
Wood Pallet	1	2" deeper and 3" larger than enclosure size

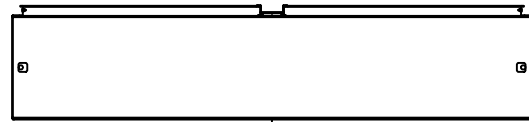
Qty	Part Number	Rev	Description
1	5500UCD606012MF	0	885 MFHD 15" x 12" Mounting Feet
1	880INT1	2	880 INT1 - Interlock Post Kit
1	880EB14	2	Eye Bolt M14 (Pack of 2)
8	STK-Q-07320	0	Flange Lock Nut M10
1	885SP6060G	0	885 SP6060G Inner Panel
6	STK-Q-07620	0	M10 Plastic Spacer 0.875"
1	5500UCD606012FD	0	5500UCD 60" x 60" Lock Door
1	5500UCD606012LD	0	5500UCD 60" x 60" Flange Door
1	5500UCD606012B	0	5500UCD 60" x 60" x 12" Body
2	5500UCD606012GP	0	5500UCD Gland Plate
8	STK-Q-04050-10	8	M6 x 10mm Hexagon Socket Head Machine Screw with Nyseal

Customer Client	Date
Drawn By Dessiné Par	Date 11/3/2014
Material Matière	12 Ga Cold Rolled A1008 CS Type B (2.5mm)
Color Couleur	Asa-61 Grey
Finish Fini	Smooth
Description	Detail Rev.
5500UCD 60" x 60" x 12" Assembly	
Part Number Numéro Pièce	Rev. 2
5500UCD606012	0

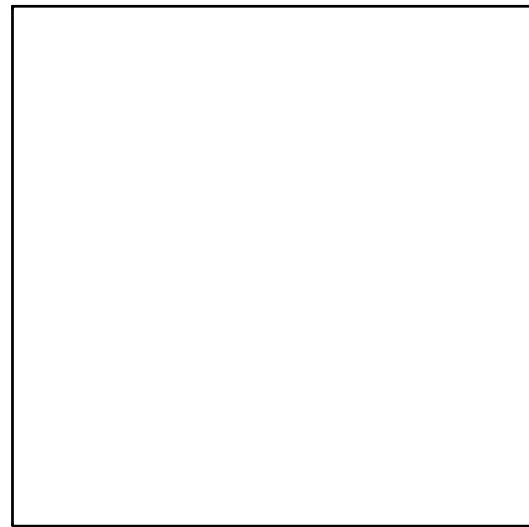
Parts List

This drawing is confidential and must not be reproduced or used without the consent of EXM

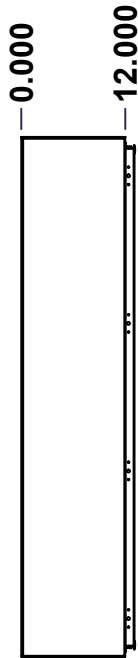
Ce dessin est confidentiel et ne doit pas être reproduit ou utilisé sans le consentement de EXM



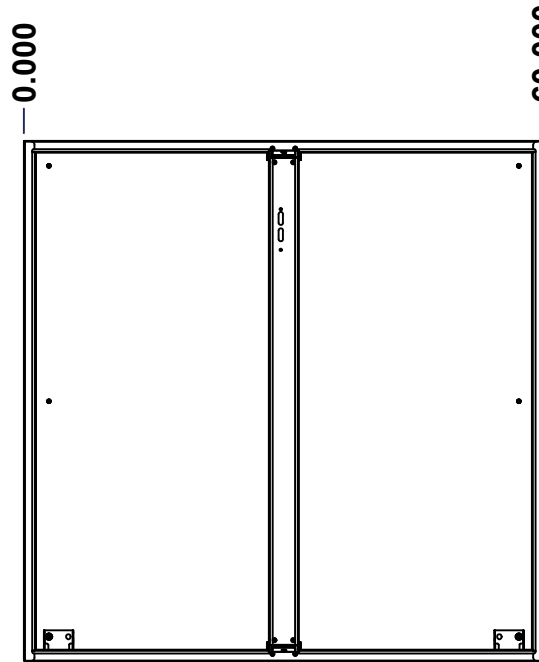
TOP



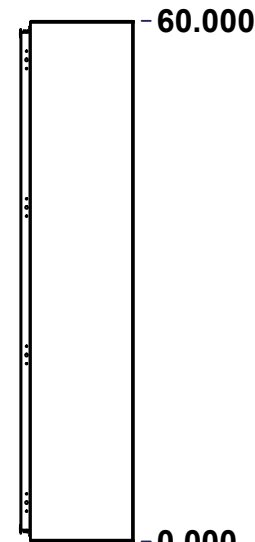
BACK



LEFT



FRONT

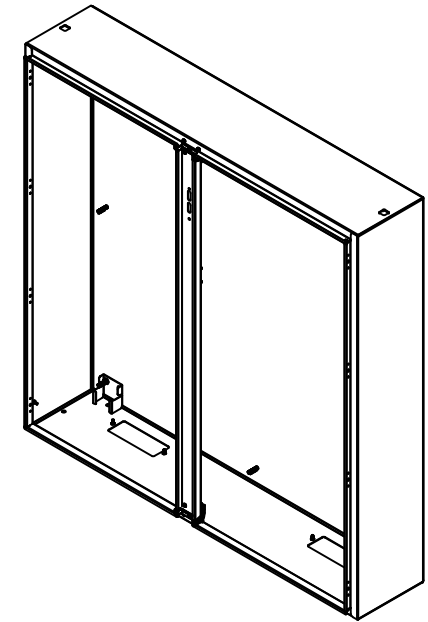


RIGHT



BOTTOM

No.	Revisions	Date	By/Par



Isometric View



Tél: (450) 979-4373
 Fax: (450) 979-4626
www.exmweb.com

Flatness
Aplatissement

Max 3.0mm

Projection



Customer Client	Date
Drawn By / Dessiné Par: BoxCad: BoxCad	Date: 11/3/2014
Material / Matière: 12 Ga Cold Rolled A1008 CS Type B (2.5mm)	
Color / Couleur: Asa-61 Grey	Finish / Fini: Smooth
Description: 5500UCD 60" x 60" x 12" Body	Detail Rev.
Part Number / Numéro Pièce: 5500UCD606012B	Rev. 1 0

SEE BILL OF MATERIAL ON LAST PAGE

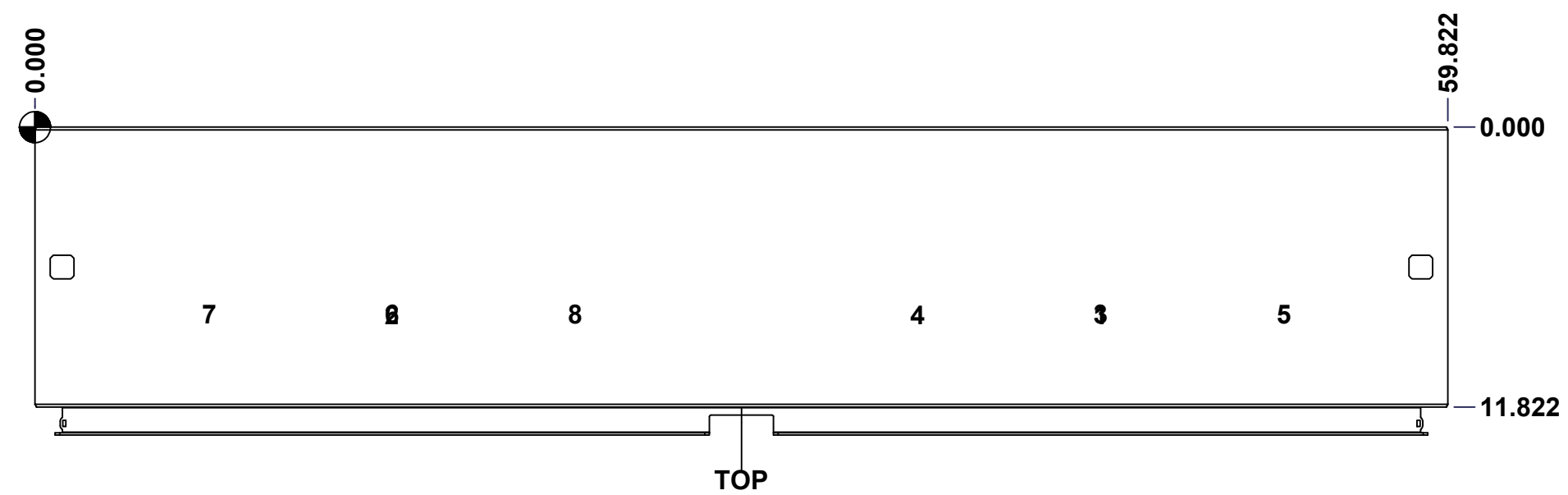
This drawing is confidential and must not be reproduced or used without the consent of EXM

Ce dessin est confidentiel et ne doit pas être reproduit ou utilisé sans le consentement de EXM

STANDARD FEATURES ARE NOT LISTED IN THIS HOLE TABLE

HOLE TABLE - TOP VIEW (CUSTOM FEATURE ONLY)

CUT-OUT	XDIM	YDIM	DESCRIPTION
1	44.911	7.911	Struts CR400 21.500" (Inside)
2	14.911	7.911	Struts CR400 21.500" (Inside)
3	44.911	7.911	STUDS M6 x 10mm (Inside)
4	37.161	7.911	STUDS M6 x 10mm (Inside)
5	52.661	7.911	STUDS M6 x 10mm (Inside)
6	14.911	7.911	STUDS M6 x 10mm (Inside)
7	7.161	7.911	STUDS M6 x 10mm (Inside)
8	22.661	7.911	STUDS M6 x 10mm (Inside)

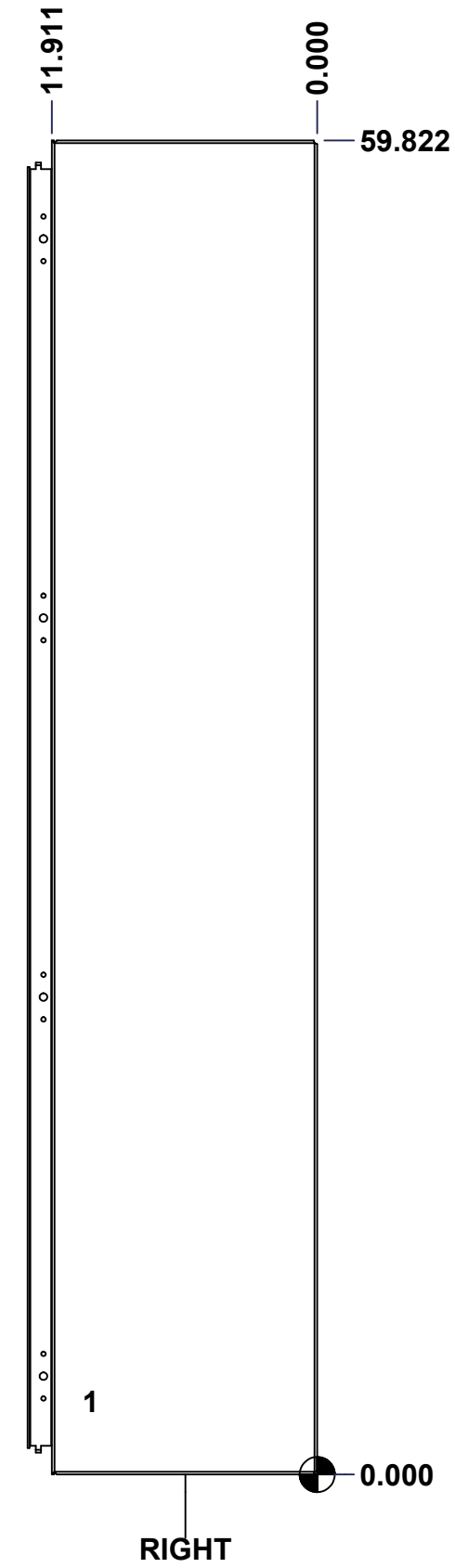


	Description	Status	
	5500UCD 60" x 60" x 12" Body	Released	
	Part Number Numéro Pièce	Rev.	
	5500UCD606012B	0	2 / 7

This drawing is confidential and must not be reproduced or used without the consent of EXM

Ce dessin est confidentiel et ne doit pas être reproduit ou utilisé sans le consentement de EXM

STANDARD FEATURES ARE NOT LISTED IN THIS HOLE TABLE			
HOLE TABLE - RIGHT VIEW (CUSTOM FEATURE ONLY)			
CUT-OUT	XDIM	YDIM	DESCRIPTION
1	10.411	3.286	GND STUD M6 x 16mm (Inside)



	Description	Status
	5500UCD 60" x 60" x 12" Body	Released
	Part Number Numéro Pièce	Rev.
	5500UCD606012B	0
		3
		7

This drawing is confidential and must not be reproduced or used without the consent of EXM

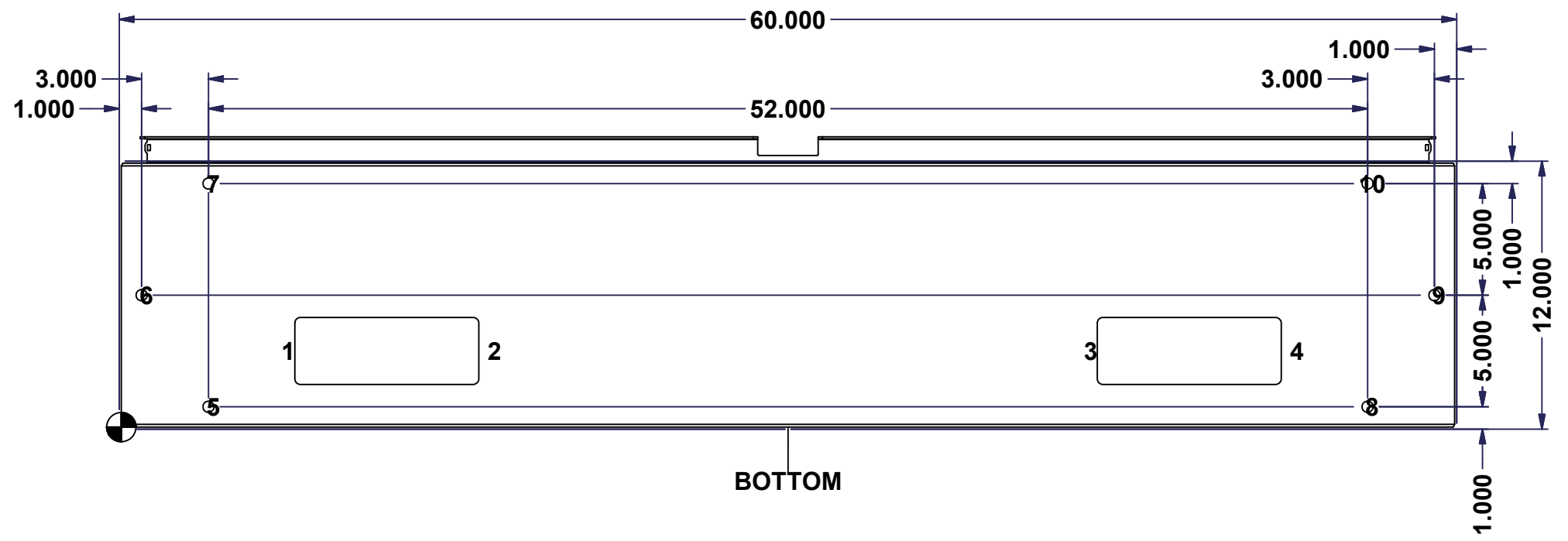
Ce dessin est confidentiel et ne doit pas être reproduit ou utilisé sans le consentement de EXM

STANDARD FEATURES ARE NOT LISTED IN THIS HOLE TABLE

HOLE TABLE - BOTTOM VIEW (CUSTOM FEATURE ONLY)

CUT-OUT	XDIM	YDIM	DESCRIPTION
1	7.286	3.411	GP STUD M6 x 16mm (Inside)
2	16.536	3.411	GP STUD M6 x 16mm (Inside)
3	43.286	3.411	GP STUD M6 x 16mm (Inside)
4	52.536	3.411	GP STUD M6 x 16mm (Inside)

5	3.911	0.911	RND Ø0.500
6	0.911	5.911	RND Ø0.500
7	3.911	10.911	RND Ø0.500
8	55.911	0.911	RND Ø0.500
9	58.911	5.911	RND Ø0.500
10	55.911	10.911	RND Ø0.500



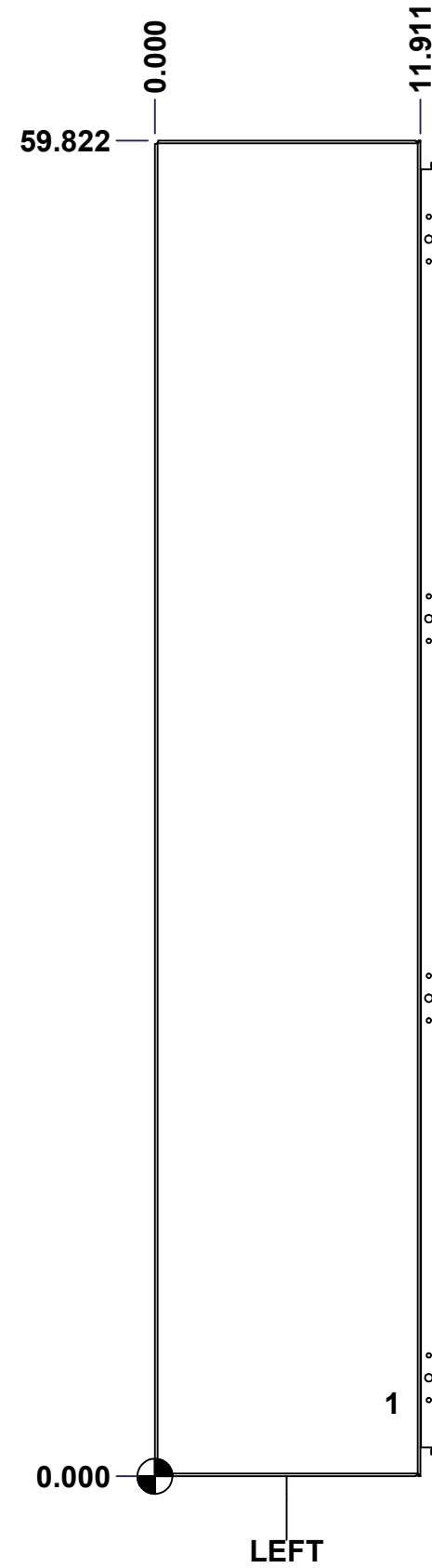
BOTTOM

	Description	Status	
	5500UCD 60" x 60" x 12" Body	Released	
	Part Number Numéro Pièce	Rev.	
	5500UCD606012B	0	4 / 7

This drawing is confidential and must not be reproduced or used without the consent of EXM

Ce dessin est confidentiel et ne doit pas être reproduit ou utilisé sans le consentement de EXM

STANDARD FEATURES ARE NOT LISTED IN THIS HOLE TABLE			
HOLE TABLE - LEFT VIEW (CUSTOM FEATURE ONLY)			
CUT-OUT	XDIM	YDIM	DESCRIPTION
1	10.411	3.286	GND STUD M6 x 16mm (Inside)



	Description	Status
	5500UCD 60" x 60" x 12" Body	Released
	Part Number Numéro Pièce	Rev.
	5500UCD606012B	0
		5
		7

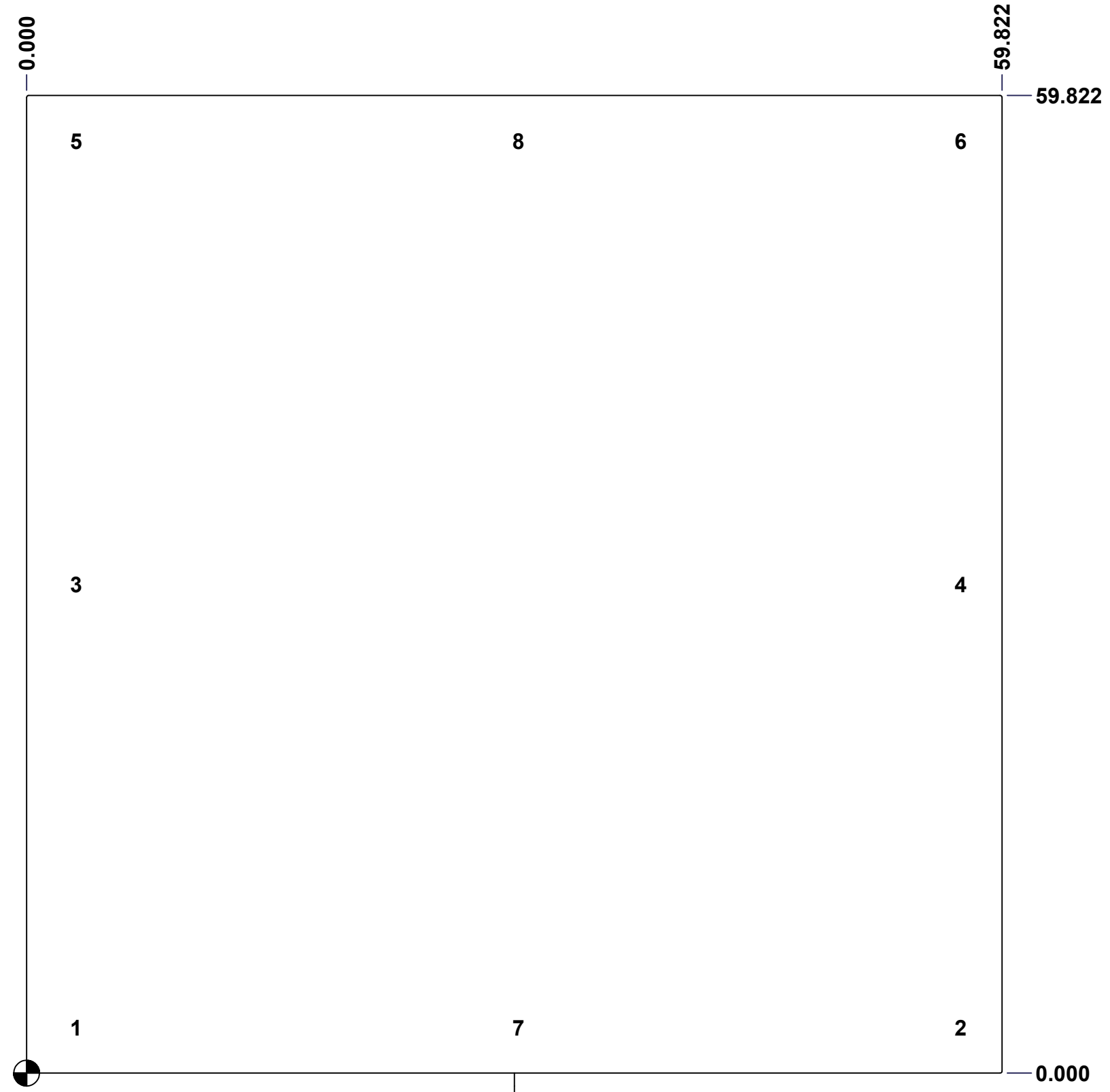
This drawing is confidential and must not be reproduced or used without the consent of EXM

Ce dessin est confidentiel et ne doit pas être reproduit ou utilisé sans le consentement de EXM

STANDARD FEATURES ARE NOT LISTED IN THIS HOLE TABLE

HOLE TABLE - BACK VIEW (CUSTOM FEATURE ONLY)

CUT-OUT	XDIM	YDIM	DESCRIPTION
1	2.786	2.786	IP STUD M10 x 40mm (Inside)
2	57.036	2.786	IP STUD M10 x 40mm (Inside)
3	2.786	29.911	IP STUD M10 x 40mm (Inside)
4	57.036	29.911	IP STUD M10 x 40mm (Inside)
5	2.786	57.036	IP STUD M10 x 40mm (Inside)
6	57.036	57.036	IP STUD M10 x 40mm (Inside)
7	29.911	2.786	IP STUD M10 x 40mm (Inside)
8	29.911	57.036	IP STUD M10 x 40mm (Inside)

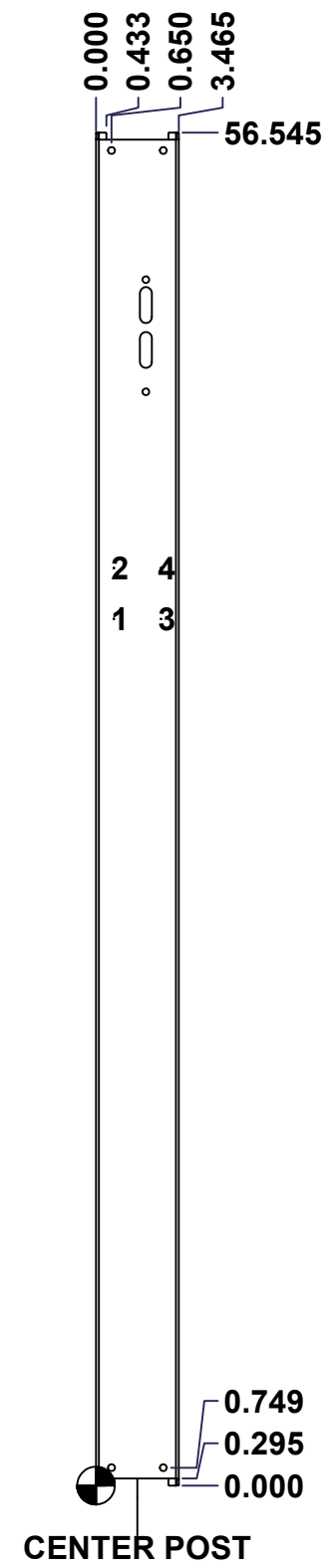


	Description	Status
	5500UCD 60" x 60" x 12" Body	Released
	Part Number Numéro Pièce	Rev.
	5500UCD606012B	0
		6 / 7

This drawing is confidential and must not be reproduced or used without the consent of EXM

Ce dessin est confidentiel et ne doit pas être reproduit ou utilisé sans le consentement de EXM

STANDARD FEATURES ARE NOT LISTED IN THIS HOLE TABLE			
HOLE TABLE - CENTER VIEW (CUSTOM FEATURE ONLY)			
CUT-OUT	XDIM	YDIM	DESCRIPTION
1	0.748	36.220	INTERLOCK STUD M6 x 16mm (Inside)
2	0.748	38.346	INTERLOCK STUD M6 x 16mm (Inside)
3	2.717	36.220	INTERLOCK STUD M6 x 16mm (Inside)
4	2.717	38.346	INTERLOCK STUD M6 x 16mm (Inside)

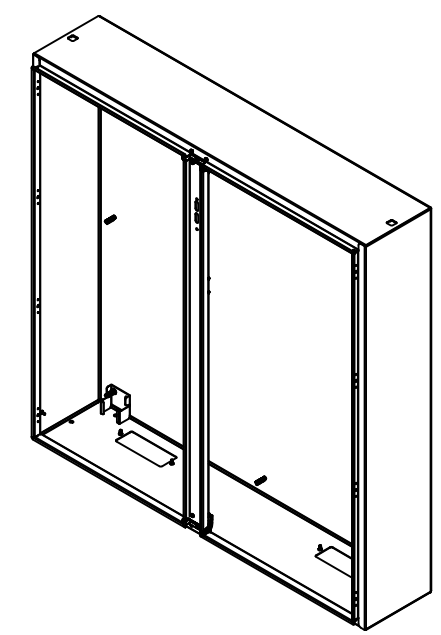


	Description	Status
	5500UCD 60" x 60" x 12" Body	Released
	Part Number Numéro Pièce	Rev.
	5500UCD606012B	0
		6 7

This drawing is confidential and must not be reproduced or used without the consent of EXM


Ce dessin est confidentiel et ne doit pas être reproduit ou utilisé sans le consentement de EXM

No.	Revisions	Date	By/Par



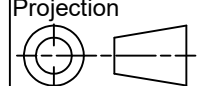
Isometric View

Qty	Part Number	Rev	Description
6	STK-Q-16030	0	Stud M6 x 10mm
6	STK-Q-07220	1	M6 Nylon Insert Lock Nut
1	STK-P-02400S	0	Powder Paint (Asa-61 Grey / Smooth)
4	STK-Q-16055	1	M6 x 18mm Stud (No Paint Cap Required)
1	STK-A-75454	3	Center Post - Sealing Block with Latch Assembly (Large)
1	5500UCD606012CP-P	0	5500UCD 60" Center Post Part
2	STK-Q-07320	0	Flange Lock Nut M10
2	STK-Q-07618	1	5500 Series Inner Panel Support Bracket
8	STK-Q-16100	0	Stud M10 x 40mm
1	5500UCD606012BT-P	0	5500UCD 60" x 12" Bottom Part
1	5500UCD606012T-P	0	5500UCD 60" x 12" Top Part
1	5500UCD606012RS-P	0	5500UCD 60" x 60" Right Part
1	5500UCD606012LS-P	0	5500UCD 60" x 60" Left Part
1	5500UCD606012B-P	0	5500UCD 60" x 60" Back Part
2	CR400MS_21.5	0	Commercial Roll Mild Steel (21.5in long)
6	STK-Q-16080	0	Ground Stud M6 x 16mm
Qty	Part Number	Rev	Description
Parts List			



Tél: (450) 979-4373
Fax: (450) 979-4626
www.exmweb.com

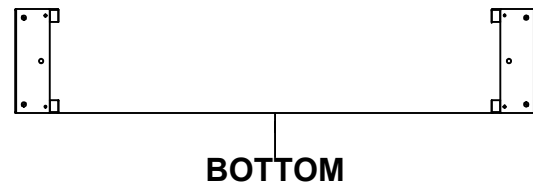
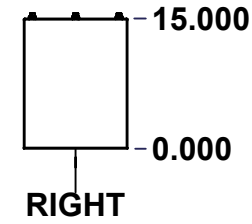
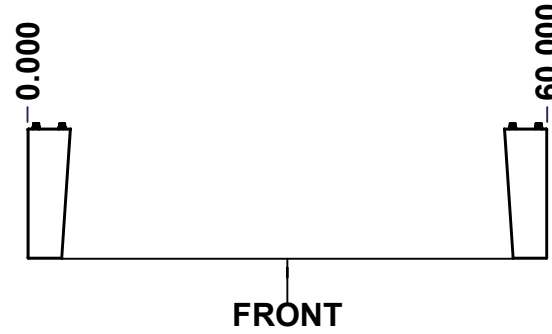
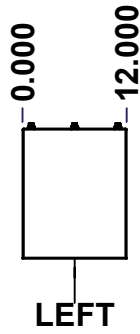
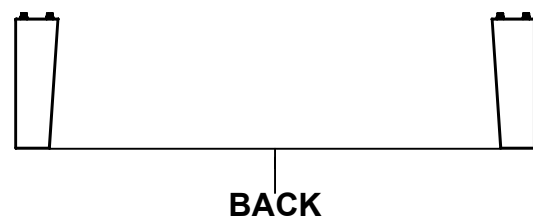
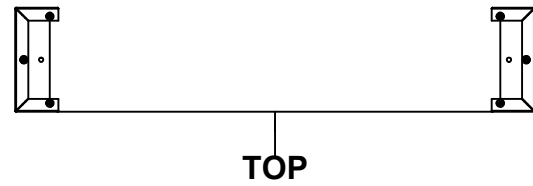
Flatness
Aplatissement
Max 3.0mm

Projection


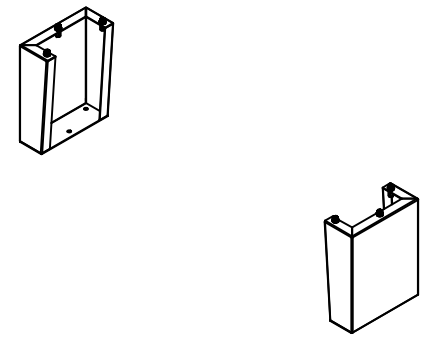
Customer Client		Date
Drawn By Dessiné Par	BoxCad: BoxCad	Date 11/3/2014
Material Matière 12 Ga Cold Rolled A1008 CS Type B (2.5mm)		
Color Couleur	Asa-61 Grey	Finish Fini Smooth
Description 5500UCD 60" x 60" x 12" Body		Detail Rev.
Part Number Numéro Pièce 5500UCD606012B		Rev. 2 0



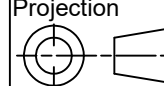
This drawing is confidential and must not be reproduced or used without the consent of EXM

Ce dessin est confidentiel et ne doit pas être reproduit ou utilisé sans le consentement de EXM



No.	Revisions	Date	By/Par



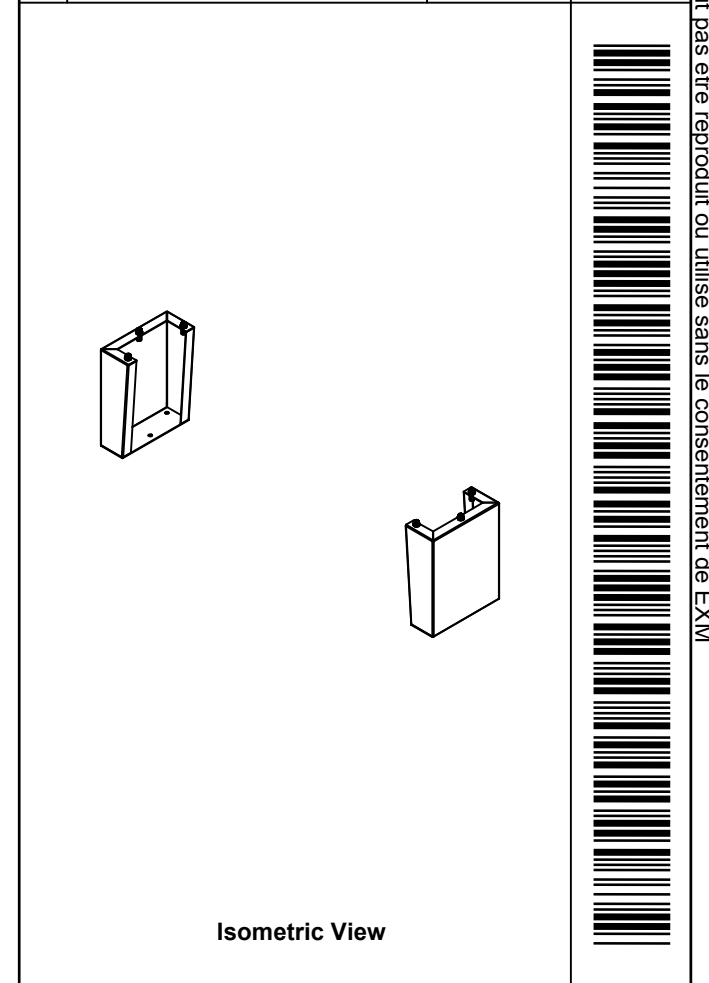
 Tél: (450) 979-4373 Fax: (450) 979-4626 www.exmweb.com		Flatness Aplatissement  Max 3.0mm	
		Projection 	
Customer Client		Date	
Drawn By Dessiné Par BoxCad: BoxCad		Date 11/3/2014	
Material Matière 12 Ga Cold Rolled A1008 CS Type B (2.5mm)			
Color Couleur Asa-61 Grey		Finish Fini Smooth	
Description 885 MFHD 15" x 12" Mounting Feet			Detail Rev.
Part Number Numéro Pièce 5500UCD606012MF		Rev. 0	1 / 4


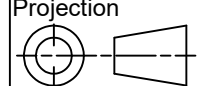
SEE BILL OF MATERIAL ON LAST PAGE

This drawing is confidential and must not be reproduced or used without the consent of EXM

Ce dessin est confidentiel et ne doit pas être reproduit ou utilisé sans le consentement de EXM

No.	Revisions	Date	By/Par



 Tél: (450) 979-4373 Fax: (450) 979-4626 www.exmweb.com		Flatness Aplatissement Max 3.0mm Projection 
Customer Client	Date	
Drawn By Dessiné Par	BoxCad: BoxCad	Date 11/3/2014
Material Matière	12 Ga Cold Rolled A1008 CS Type B (2.5mm)	
Color Couleur	Asa-61 Grey	Finish Fini Smooth
Description		Detail Rev.
885 MFHD 15" x 12" Mounting Feet		
Part Number Numéro Pièce	Rev.	4
5500UCD606012MF	0	4

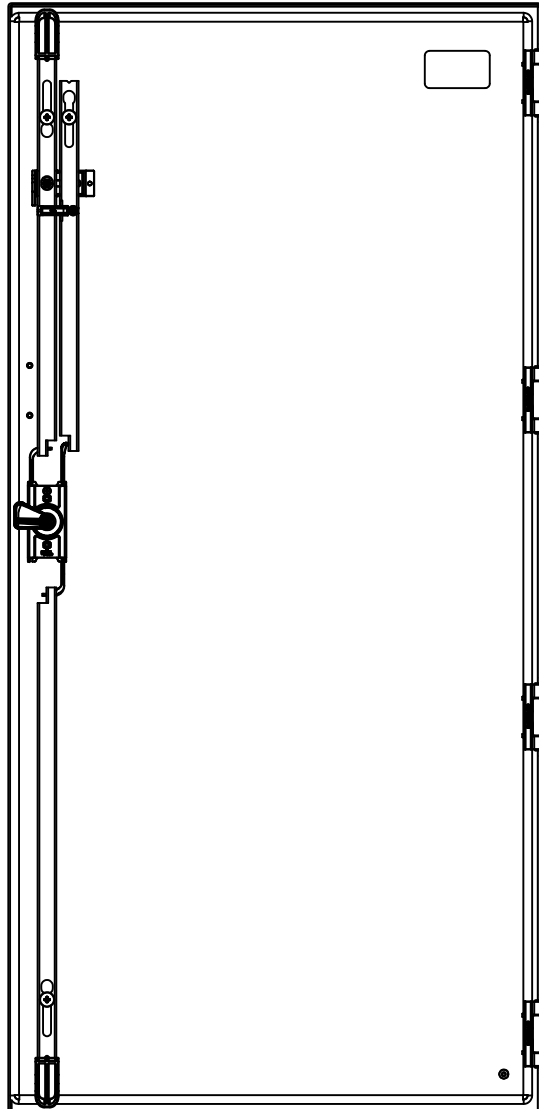
Qty	Part Name	Rev	Description
1	STK-P-02400S	0	Powder Paint (Asa-61 Grey / Smooth)
6	RIVET_NUT_M10_FH_CE	0	Rivet Nut M10 (Low Profile Close End)
1	5500UCD606012MFR-P	0	885 MFHD 15" x 12" Right Mounting Feet Part
1	5500UCD606012MFL-P	0	885 MFHD 15" x 12" Left Mounting Feet Part
1	STK-K-11600	2	885 MF Accessory Kit
Parts List			

This drawing is confidential and must not be reproduced or used without the consent of EXM

Ce dessin est confidentiel et ne doit pas être reproduit ou utilisé sans le consentement de EXM



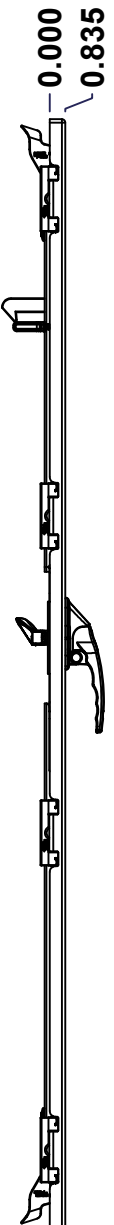
TOP



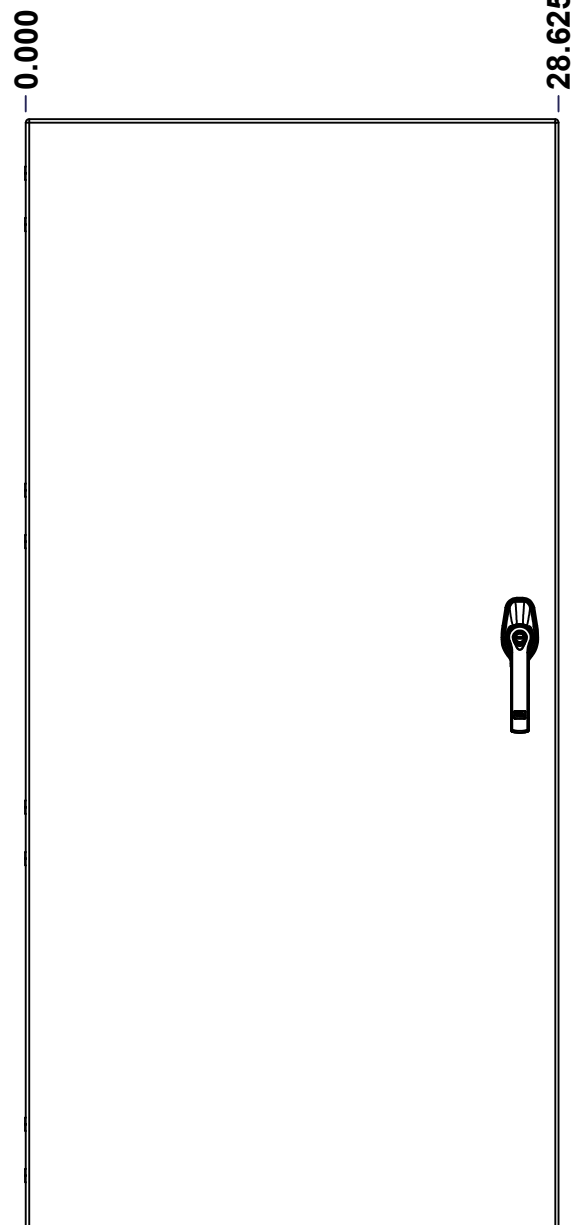
BACK



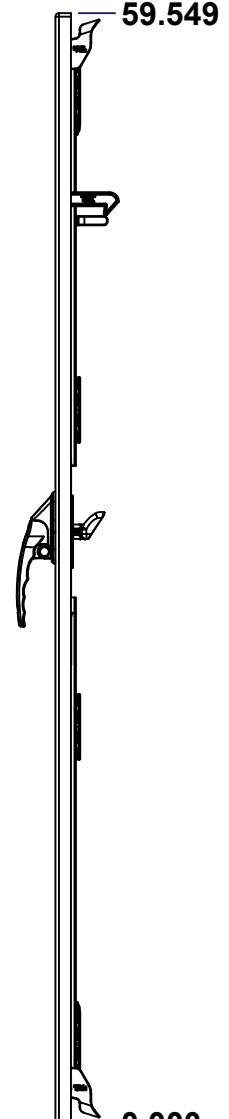
BOTTOM



LEFT

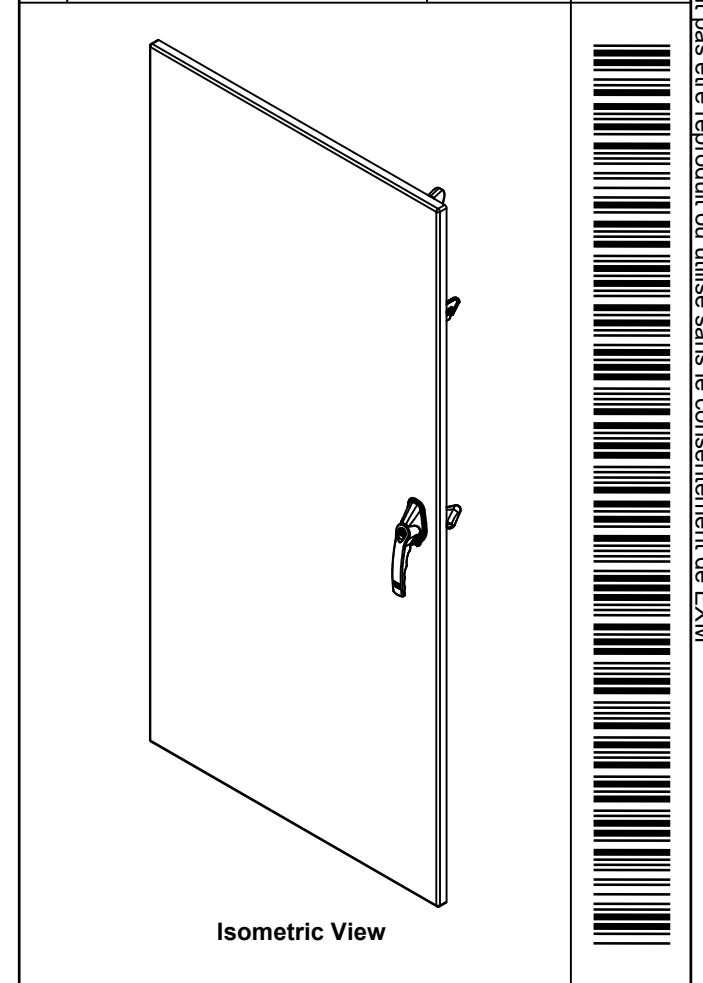


FRONT



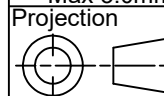


RIGHT

No.	Revisions	Date	By/Par



Isometric View

 Tél: (450) 979-4373 Fax: (450) 979-4626 www.exmweb.com		Flatness Aplatissement  Max 3.0mm Projection 	
Customer Client		Date	
Drawn By / Dessiné Par: BoxCad: BoxCad		Date: 11/3/2014	
Material / Matière: 12 Ga Cold Rolled A1008 CS Type B (2.5mm)			
Color / Couleur: Asa-61 Grey		Finish / Fini: Smooth	
Description: 5500UCD 60" x 60" Flange Door			Detail Rev.
Part Number / Numéro Pièce: 5500UCD606012LD		Rev.:	1 / 3

SEE BILL OF MATERIAL ON LAST PAGE

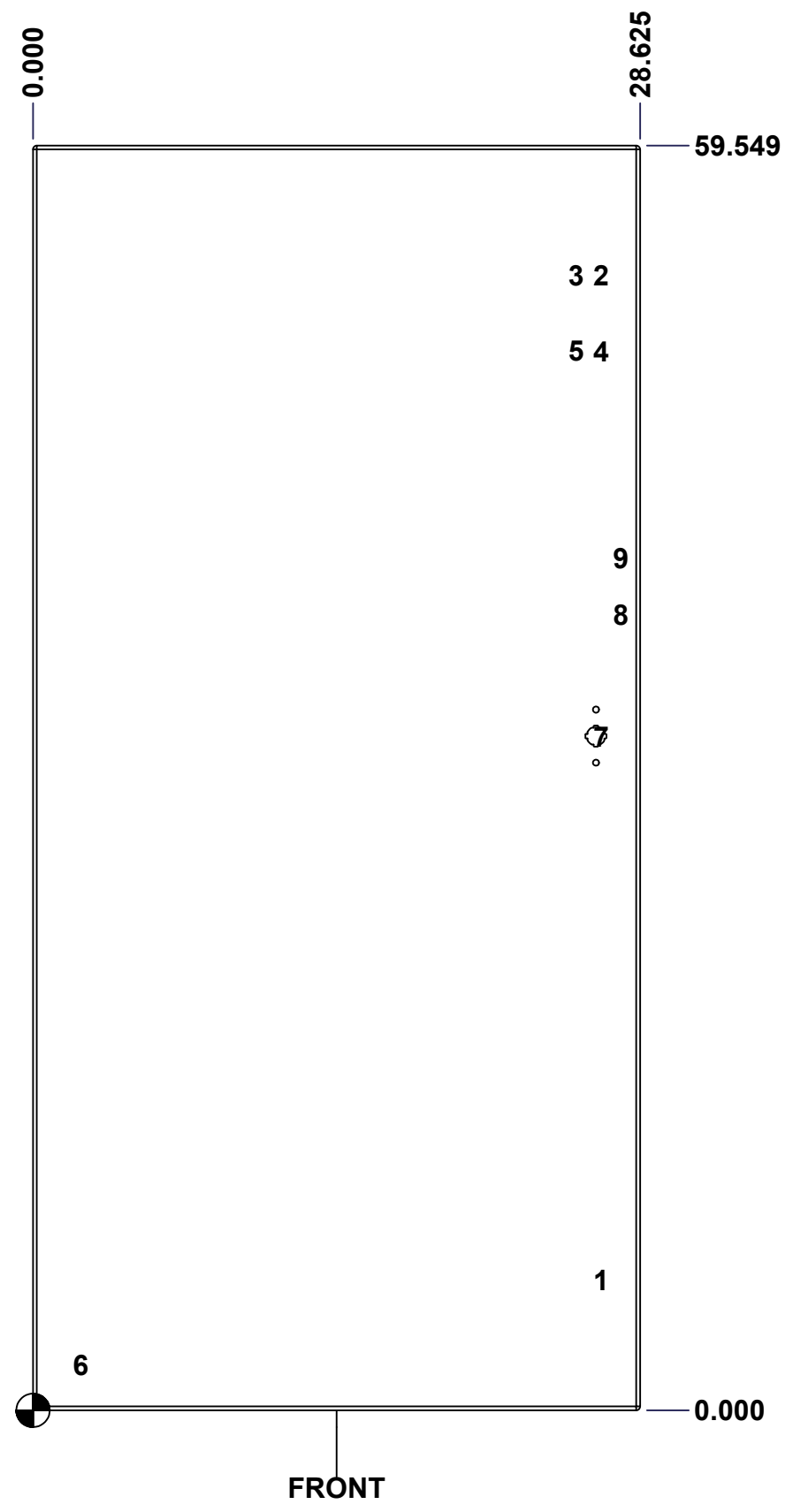
This drawing is confidential and must not be reproduced or used without the consent of EXM

Ce dessin est confidentiel et ne doit pas être reproduit ou utilisé sans le consentement de EXM

STANDARD FEATURES ARE NOT LISTED IN THIS HOLE TABLE

HOLE TABLE - FRONT VIEW (CUSTOM FEATURE ONLY)

CUT-OUT	XDIM	YDIM	DESCRIPTION
1	26.544	6.118	STUD M6 x 18mm (Inside)
2	26.544	53.430	STUD M6 x 18mm (Inside)
3	25.357	53.430	STUD M6 x 18mm (Inside)
4	26.544	49.886	STUD M6 x 18mm (Inside)
5	25.357	49.886	STUD M6 x 18mm (Inside)
-----	-----	-----	-----
6	2.000	2.118	GND STUD M6 x 16mm (Inside)
7	26.544	31.743	HANDLE 885 ESL2A-APHD @ 0.0°
8	27.475	37.445	STUDS M6 x 18mm (Inside)
9	27.475	40.123	STUDS M6 x 18mm (Inside)

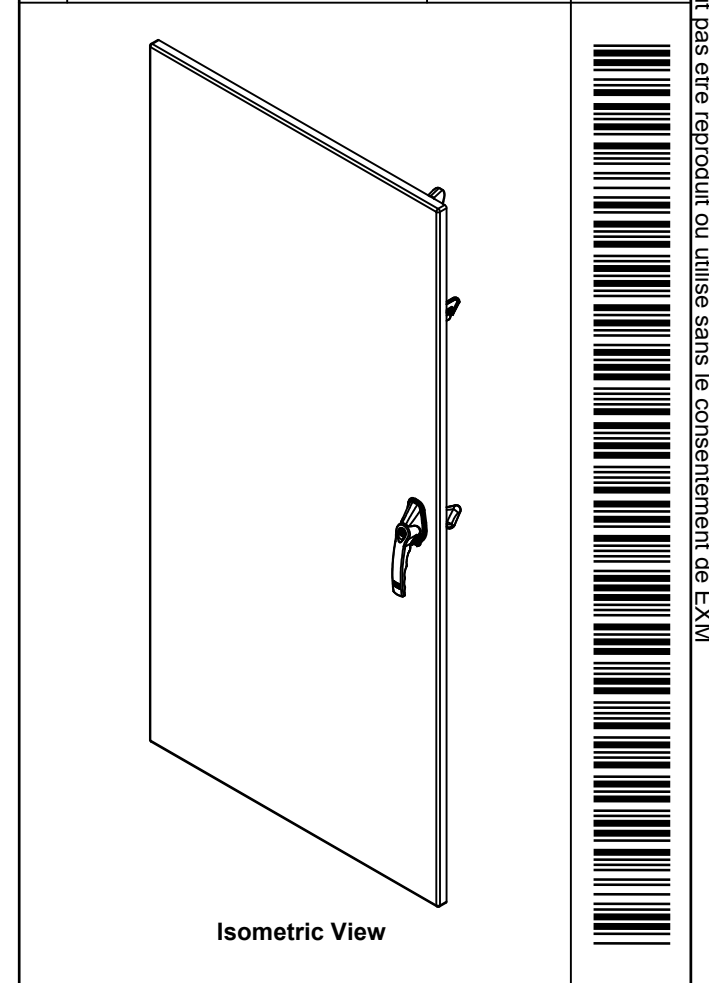


	Description	Status
	5500UCD 60" x 60" Lock Door	(NULL)
	Part Number Numéro Pièce	Rev.
	5500UCD606012LD	0
		2
		3


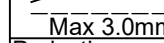
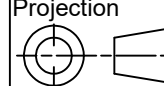
This drawing is confidential and must not be reproduced or used without the consent of EXM

Ce dessin est confidentiel et ne doit pas être reproduit ou utilisé sans le consentement de EXM

No.	Revisions	Date	By/Par

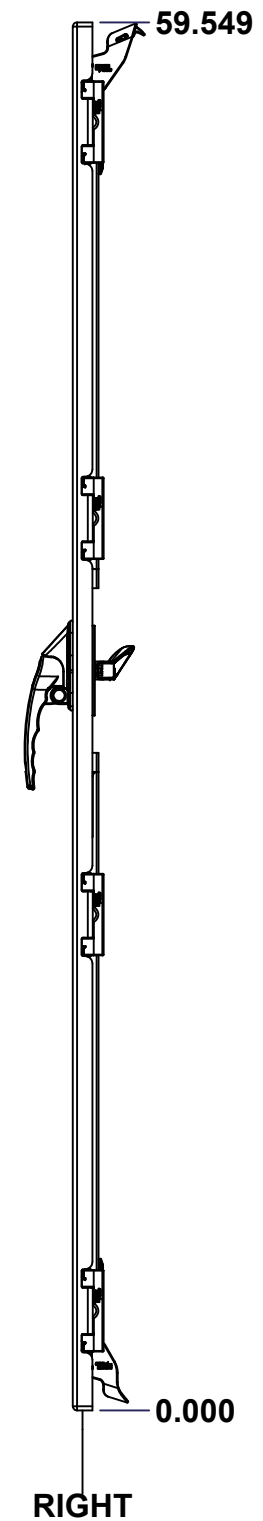
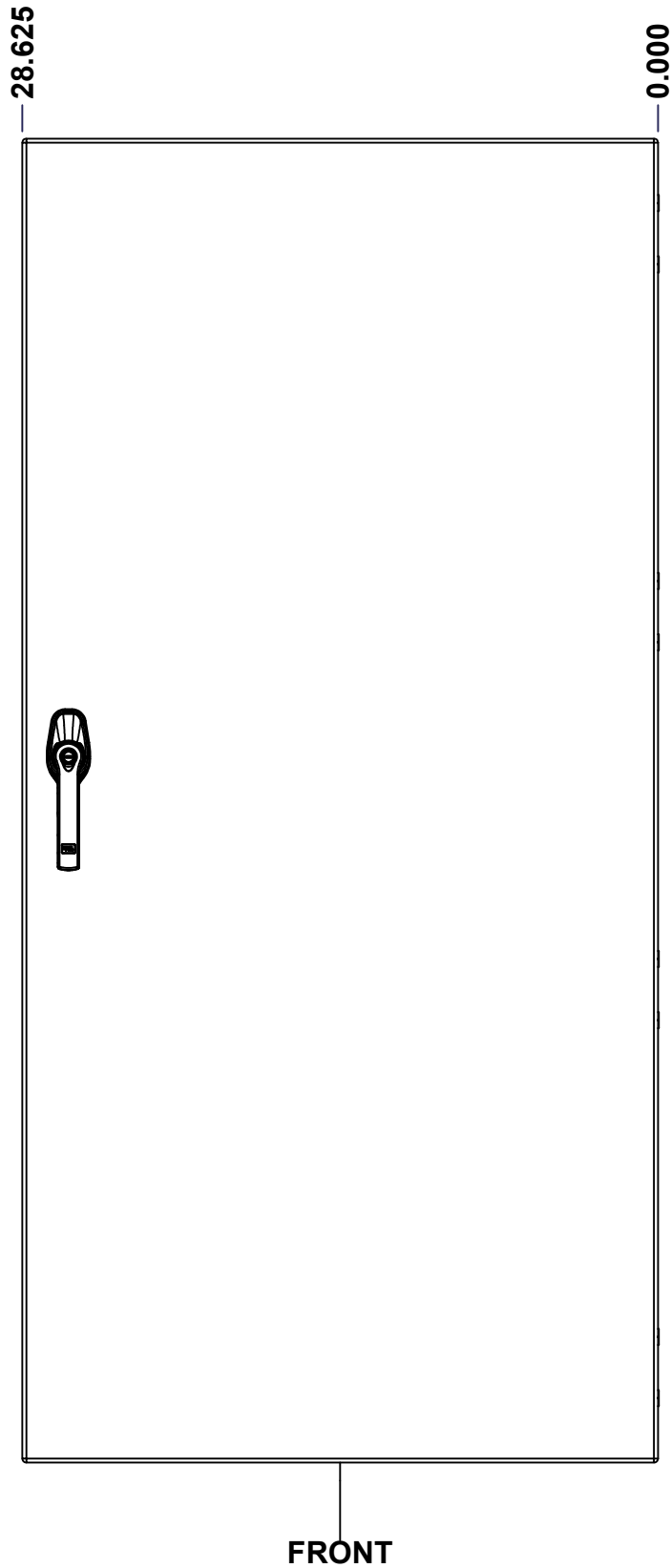
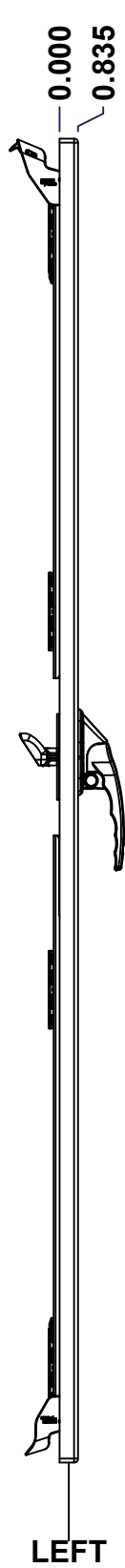
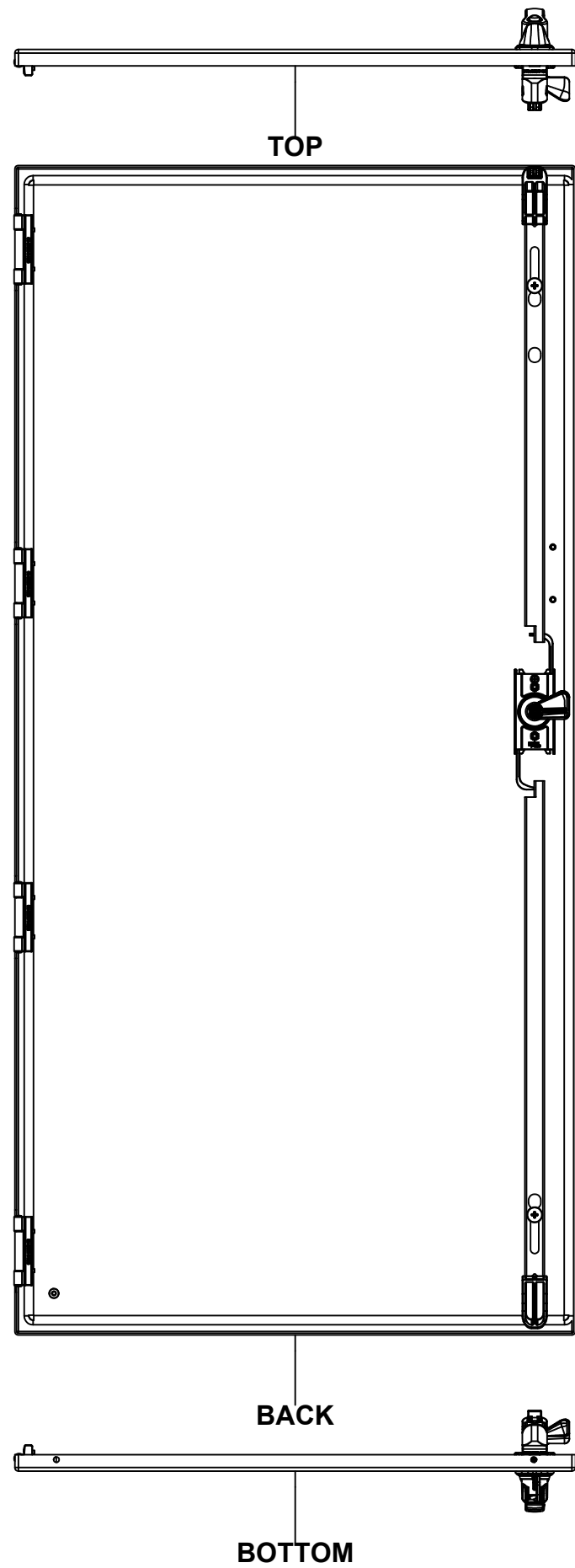


1	5500UCD606012DB_ESY	0	5500UCD 60" Disconnect Defeater Bar
1	5500UCD606012CB	0	5500UCD 60" Closing Bar
1	5500UCD606012CB_ESY	0	5500UCD 60" Disconnect Closing Bar
1	STK-K-03895-36	3	Gearbox Clockwise Assembly (Grip 36mm)
1	885ESL2A-APHD	0	885 ESL2A-APHD - Zinc Die Cast L-Handle Padlockable Assy - Slot Cylinder
1	STK-Q-16080	0	Ground Stud M6 x 16mm
1	STK-P-02400S	0	Powder Paint (Asa-61 Grey / Smooth)
1	STK-S-00100	0	3.5" x 2" Silver Milar Flexcon Sticker
1	STK-Q-07220	1	M6 Nylon Insert Lock Nut
1	5500UCD606012LDG	0	5500UCD 60" x 60" Lock Door Gasket
1	STK-Q-13060	1	M6 Flat Washer
1	STK-Q-46600	3	5500 ESY Disconnect Door Hook
1	5500UCD606012LD-P	0	5500UCD 60" x 60" Lock Door Part
4	STK-K-09860	7	Cabinet Hinge with Captive Pins
7	STK-Q-16055	1	M6 x 18mm Stud (No Paint Cap Required)
Qty	Part Name	Rev	Description
Parts List			

 Tél: (450) 979-4373 Fax: (450) 979-4626 www.exmweb.com		Flatness Aplatissement  Max 3.0mm Projection 
Customer Client	Date	Date
Drawn By Dessiné Par	BoxCad: BoxCad	11/3/2014
Material Matière	12 Ga Cold Rolled A1008 CS Type B (2.5mm)	
Color Couleur	Asa-61 Grey	Finish Fini Smooth
Description	5500UCD 60" x 60" Flange Door	
Part Number Numéro Pièce	Rev. 0	3 / 3
5500UCD606012LD		

This drawing is confidential and must not be reproduced or used without the consent of EXM

Ce dessin est confidentiel et ne doit pas être reproduit ou utilisé sans le consentement de EXM



No.	Revisions	Date	By/Par

Isometric View

Tél: (450) 979-4373 Fax: (450) 979-4626 www.exmweb.com		Flatness Aplatissement	
		Max 3.0mm	
Customer Client		Date	
Drawn By Dessiné Par BoxCad: BoxCad		Date 11/3/2014	
Material Matière 12 Ga Cold Rolled A1008 CS Type B (2.5mm)		Projection	
Color Couleur Asa-61 Grey		Finish Fini Smooth	
Description 5500UCD 60" x 60" Lock Door		Detail Rev.	
Part Number Numéro Pièce 5500UCD606012FD		Rev. 0	1 3

SEE BILL OF MATERIAL ON LAST PAGE

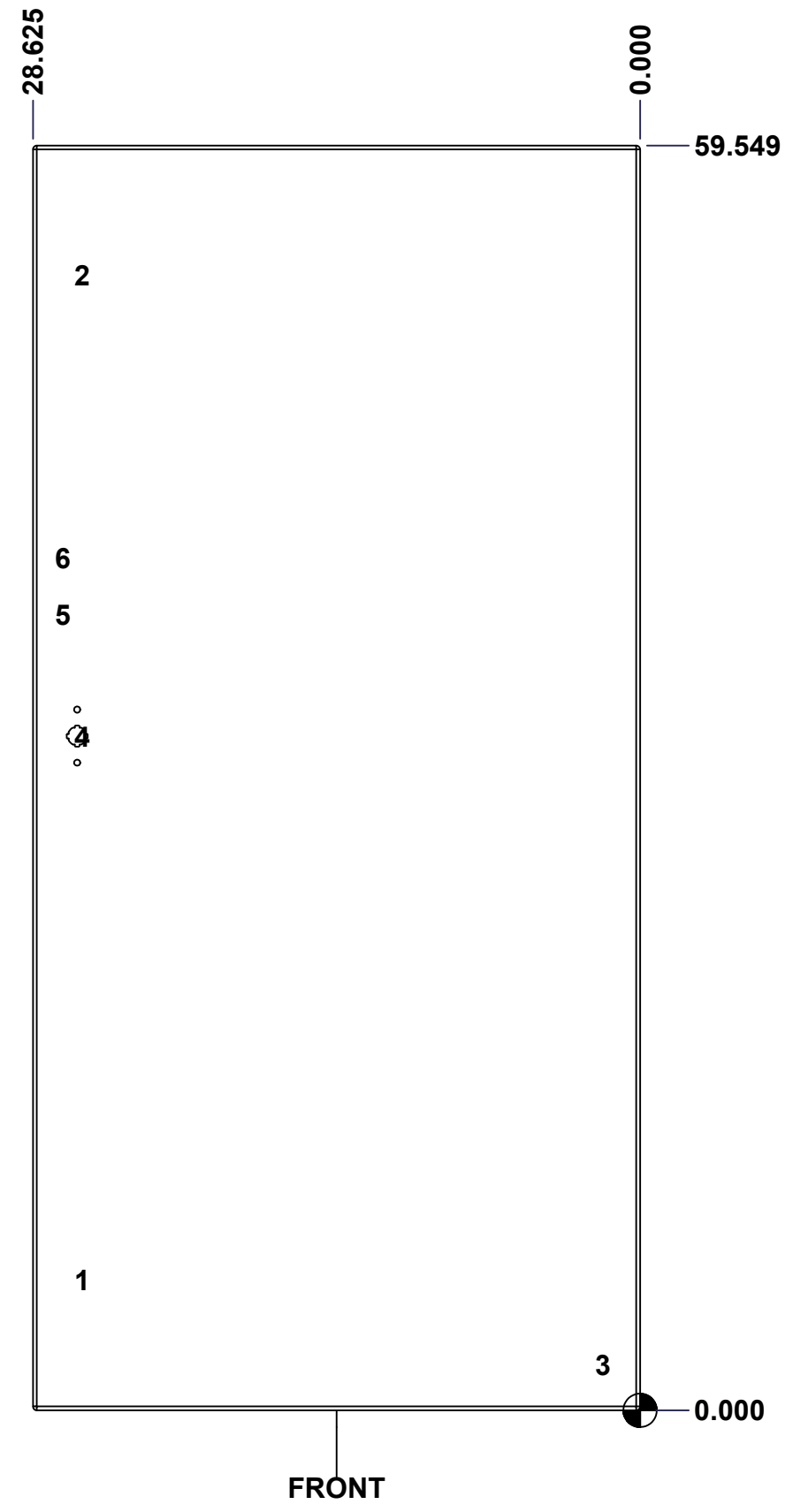
This drawing is confidential and must not be reproduced or used without the consent of EXM

Ce dessin est confidentiel et ne doit pas être reproduit ou utilisé sans le consentement de EXM

STANDARD FEATURES ARE NOT LISTED IN THIS HOLE TABLE

HOLE TABLE - FRONT VIEW (CUSTOM FEATURE ONLY)

CUT-OUT	XDIM	YDIM	DESCRIPTION
1	26.544	6.118	CLOSING BAR GUIDE (Inside)
2	26.544	53.430	CLOSING BAR GUIDE (Inside)
-----	-----	-----	-----
3	2.000	2.118	GND STUD M6 x 16mm (Inside)
4	26.544	31.743	HANDLE 885 ESL2A-APHD @ 0.0°
5	27.475	37.445	STUDS M6 x 18mm (Inside)
6	27.475	40.123	STUDS M6 x 18mm (Inside)

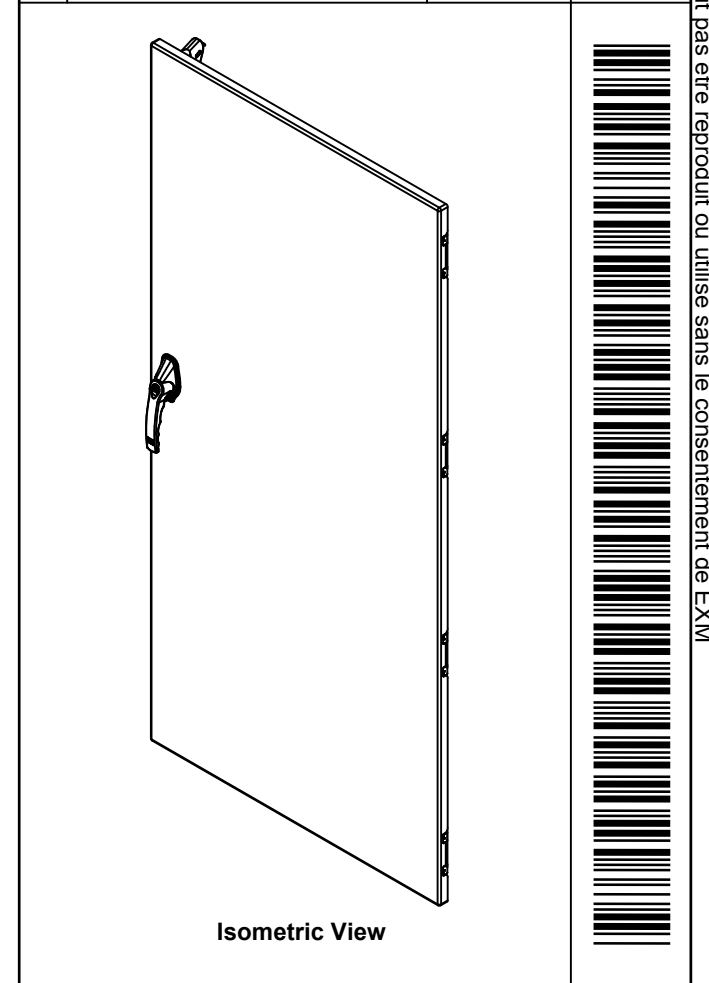


	Description	Status
	5500UCD 60" x 60" Lock Door	(NULL)
	Part Number Numéro Pièce	Rev.
	5500UCD606012FD	0
		2
		3

This drawing is confidential and must not be reproduced or used without the consent of EXM

Ce dessin est confidentiel et ne doit pas être reproduit ou utilisé sans le consentement de EXM

No.	Revisions	Date	By/Par



EXM
www.exm.com

Tél: (450) 979-4373
Fax: (450) 979-4626
www.exmweb.com

Flatness
Aplatissement
Max 3.0mm

Projection

Qty	Part Name	Rev	Description
1	5500UCD606012CB	0	5500UCD 60" Closing Bar
1	5500UCD606012CB2ESY	0	5500UCD 60" Disconnect Closing Bar (Right)
1	STK-K-03980-36	12	Gearbox Counter Clockwise Assembly (Grip 36mm)
1	885ESL2A-APHD	0	885 ESL2A-APHD - Zinc Die Cast L-Handle Padlockable Assy - Slot Cylinder
1	5500UCD606012FDG	0	5500UCD 60" x 60" Flange Door Gasket
1	STK-Q-16080	0	Ground Stud M6 x 16mm
1	STK-P-02400S	0	Powder Paint (Asa-61 Grey / Smooth)
1	5500UCD606012FD-P	0	5500UCD 60" x 60" Lock Door Part
4	STK-K-09860	7	Cabinet Hinge with Captive Pins
4	STK-Q-16055	1	M6 x 18mm Stud (No Paint Cap Required)

Parts List

Customer Client

Drawn By / Dessiné Par: BoxCad: BoxCad

Material / Matière: 12 Ga Cold Rolled A1008 CS Type B (2.5mm)

Color / Couleur: Asa-61 Grey

Finish / Fini: Smooth

Description: 5500UCD 60" x 60" Lock Door

Part Number / Numéro Pièce: **5500UCD606012FD**

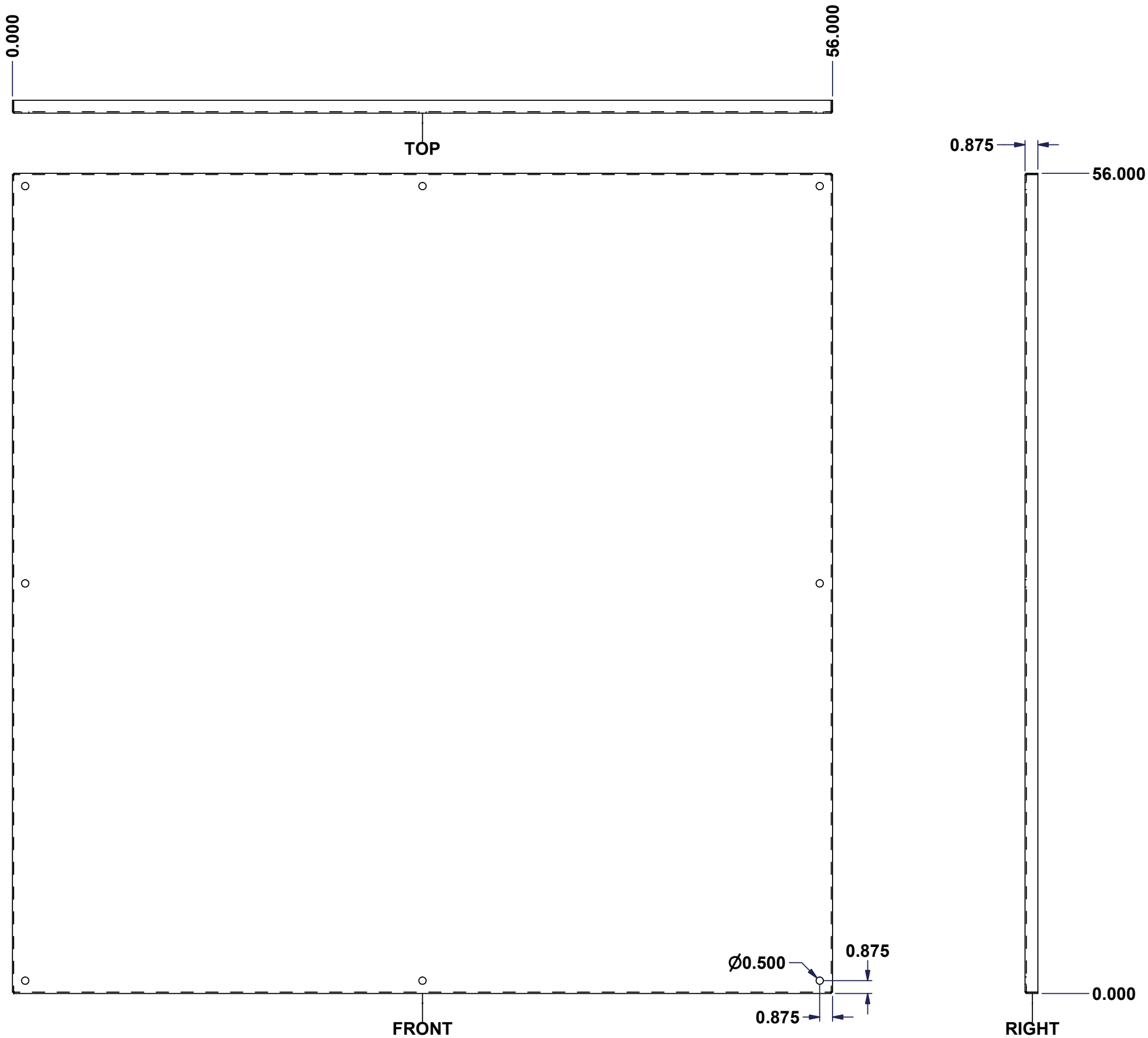
Date: 11/3/2014

Detail Rev. 3

Rev. 0

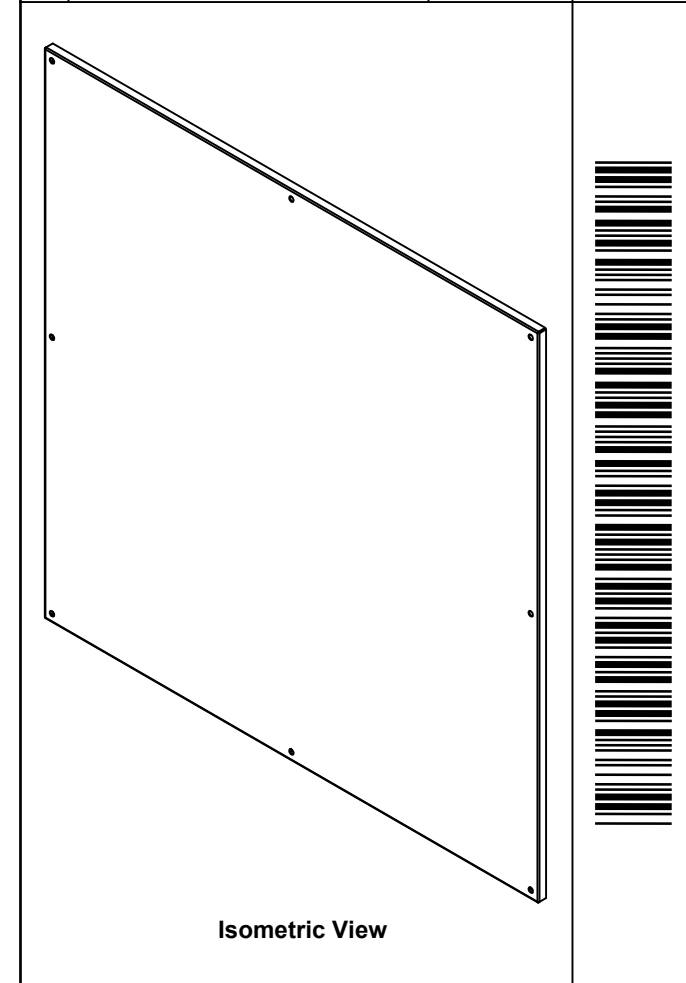
This drawing is confidential and must not be reproduced or used without the consent of EXM


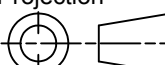
Ce dessin est confidentiel et ne doit pas être reproduit ou utilisé sans le consentement de EXM



SEE BILL OF MATERIAL ON LAST PAGE

No.	Revisions	Date	By/Par

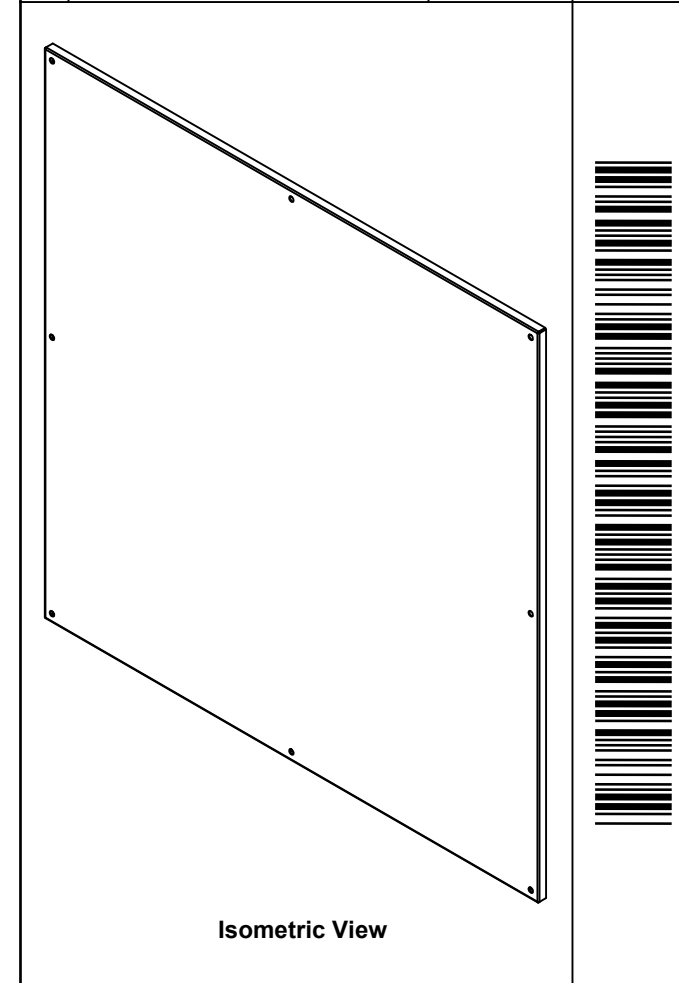



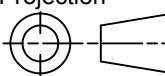
 Tél: (450) 979-4373 Fax: (450) 979-4626 www.exmweb.com		Flatness Aplatissement Max 3.0mm
Customer Client		Projection 
Drawn By Dessiné Par BoxCad		Date 04/11/2009
Material Matière 12 Ga H.R.P. & O. (2.5mm)		
Color Couleur White RAL9003	Finish Fini Smooth	
Description 885 SP6060 Inner Panel		Detail Rev.
Part Number Numéro Pièce 885SP6060		Rev. 1 0 2

This drawing is confidential and must not be reproduced or used without the consent of EXM

Ce dessin est confidentiel et ne doit pas être reproduit ou utilisé sans le consentement de EXM

No.	Revisions	Date	By/Par



 Tél: (450) 979-4373 Fax: (450) 979-4626 www.exmweb.com		Flatness Aplatissement Max 3.0mm
Customer Client		Projection 
Drawn By Dessiné Par BoxCad		Date 04/11/2009
Material Matière 12 Ga H.R.P. & O. (2.5mm)		
Color Couleur White RAL9003	Finish Fini Smooth	
Description 885 SP6060 Inner Panel		Detail Rev.
Part Number Numéro Pièce 885SP6060		Rev. 0 / 2

Qty	Part Number	Rev	Description
1	STK-P-02401S	0	Powder Paint (White / Smooth)
1	885SP6060-P	0	885 SP6060 Inner Panel Part
Parts List			