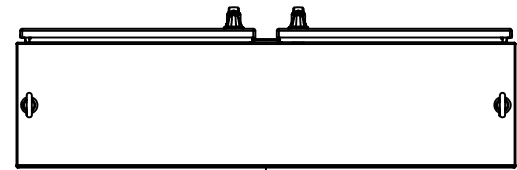
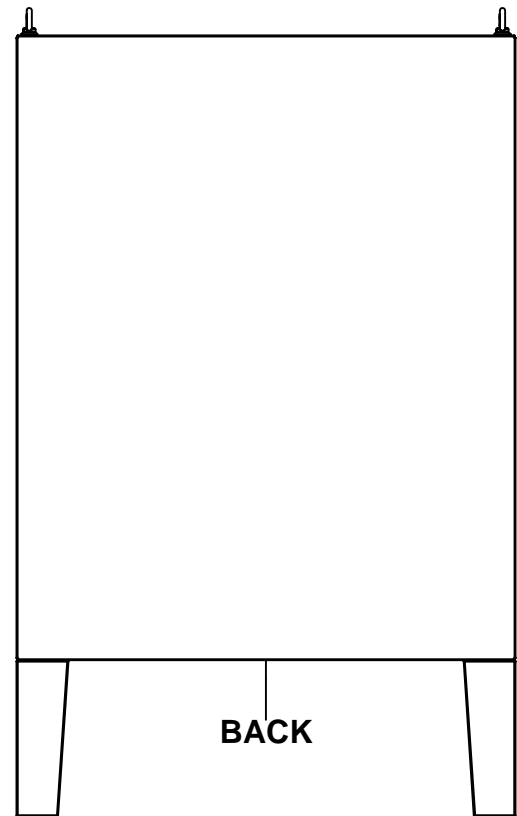


This drawing is confidential and must not be reproduced or used without the consent of EXM

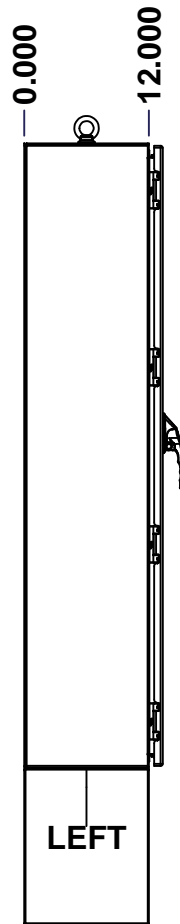
Ce dessin est confidentiel et ne doit pas être reproduit ou utilisé sans le consentement de EXM



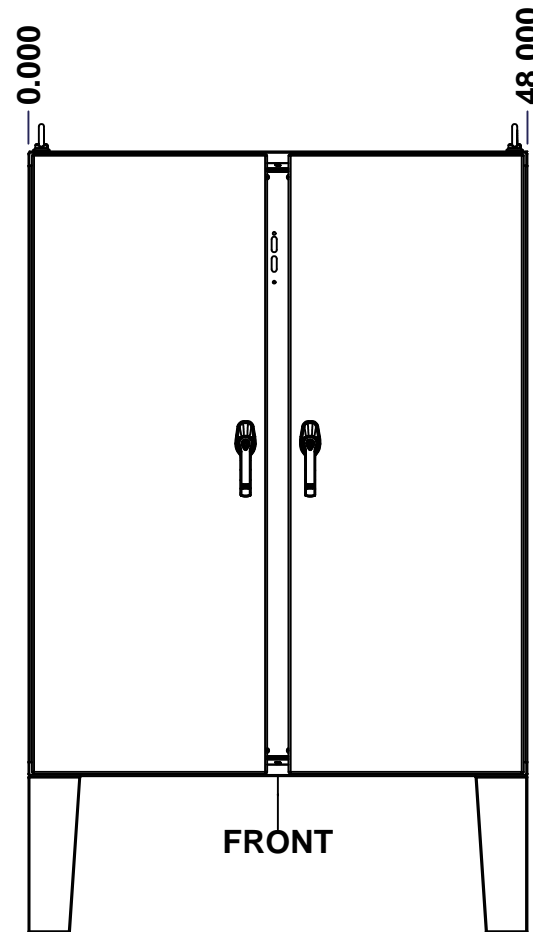
TOP



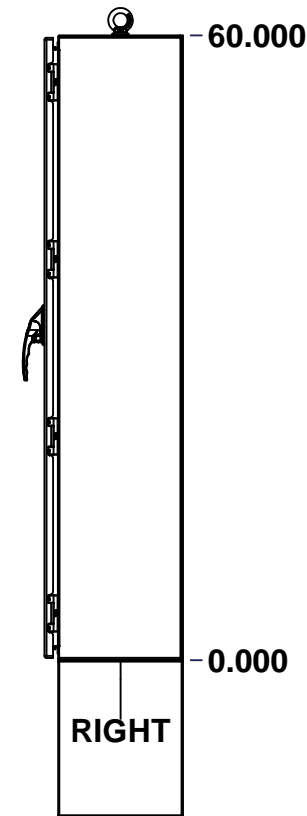
BACK



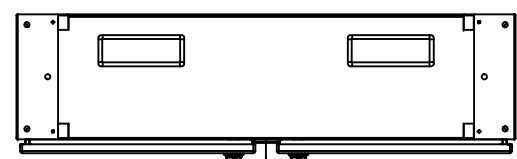
LEFT



FRONT

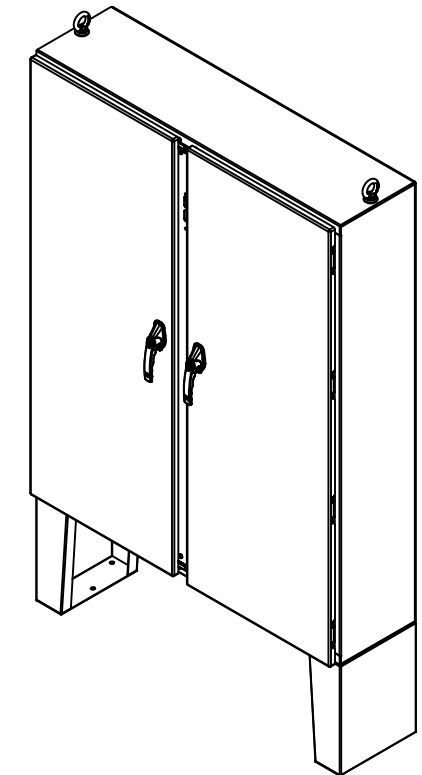


RIGHT



BOTTOM

No.	Revisions	Date	By/Par


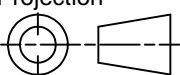


Isometric View



**GRAIN DIRECTION:
TOP/BOTTOM: HORIZONTAL
LEFT/RIGHT/BACK/FRONT: VERTICAL**

SEE BILL OF MATERIAL ON LAST PAGE

 Tél: (450) 979-4373 Fax: (450) 979-4626 www.exmweb.com		Flatness Aplatissement Max 3.0mm Projection 
Customer Client	Date	
Drawn By Dessiné Par	BoxCad: BoxCad	Date 24-Mar-22
Material Matière	12 Ga Stainless Steel 304 (2.5mm)	
Color Couleur	Unpainted	Finish Fini Brushed
Description	Detail Rev.	
5500UCDSS 60" x 48" x 12" Assembly		
Part Number Numéro Pièce	Rev.	1
5500UCDSS604812	0	2

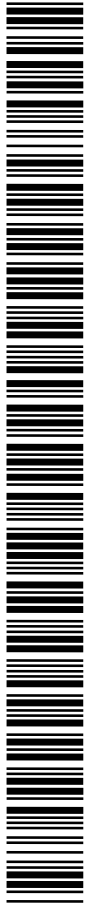
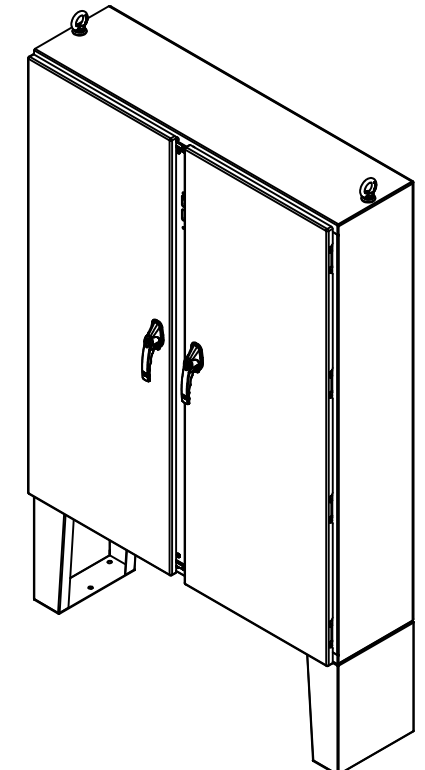
This drawing is confidential and must not be reproduced or used without the consent of EXM

Ce dessin est confidentiel et ne doit pas être reproduit ou utilisé sans le consentement de EXM

NOTE

ITEM	DESCRIPTION
1	NEMA 12/13 Enclosure
2	C/W Standard ground studs on box and cover
3	W/O Standard door stiffener
4	C/W Standard inner panel (Included)
5	C/W Standard inner panel mounting studs
6	C/W Special handle sold separately (Kit)
7	C/W Eyebolts
8	C/W Mounting feet sold separately (Installed)
9	C/W Struts installed (Included)

No.	Revisions	Date	By/Par



Isometric View



Tél: (450) 979-4373
 Fax: (450) 979-4626
www.exmweb.com

Flatness
 Aplatissement
 Max 3.0mm
 Projection

Date 24-Mar-22

Customer Client
 Drawn By Dessiné Par BoxCad: BoxCad

Material Matière 12 Ga Stainless Steel 304 (2.5mm)

Color Couleur Unpainted
 Finish Fini Brushed

Description 5500UCDSS 60" x 48" x 12" Assembly

Part Number Numéro Pièce
5500UCDSS604812

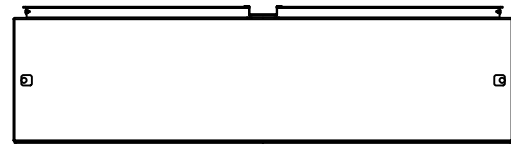
Rev. 2
0

PACKING		
ITEM	QTY	DESCRIPTION
Cardboard sleeve	2	Top and Bottom
Cardboard strip	2	Between back of enclosure and inner panel
Plastic bag	1	To protect cover surface and inside gasket
Cardboard corner	4	To reinforced for the plastic strap tightening
Plastic strap - Black	2	To Squeeze 2 cardboard sleeve together
Packaging label	3	White label with PN
Plastic strap- Green	2	To secure the enclosure to the wood pallet
Wood Pallet	1	2" deeper and 3" larger than enclosure size

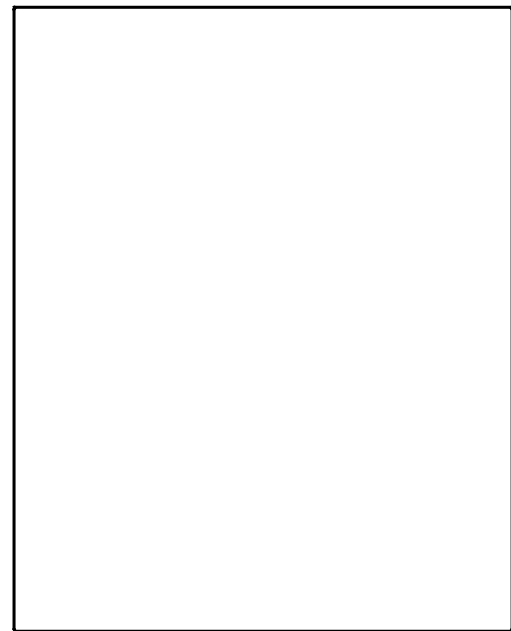
Qty	Part Number	Rev	Description
1	5500UCDSS604812MF	0	885 MFHD 15" x 12" Mounting Feet
1	880INT1	2	880 INT1 - Interlock Post Kit
1	880EB14SS	2	Stainless Steel Eye Bolt M14 (Pack of 2)
8	STK-Q-07320	0	Flange Lock Nut M10
1	885SP6048G	0	885 SP6048G Inner Panel
6	STK-Q-07620	0	M10 Plastic Spacer 0.875"
1	5500UCDSS604812FD	0	5500UCDSS 60" x 48" Lock Door
1	5500UCDSS604812LD	0	5500UCDSS 60" x 48" Flange Door
1	5500UCDSS604812B	0	5500UCDSS 60" x 48" x 12" Body
2	5500UCDSS604812GP	0	5500UCDSS Gland Plate
8	STK-Q-04051-10	8	M6 Hexagon Socket Head Machine Screw with Nyseal
Parts List			

This drawing is confidential and must not be reproduced or used without the consent of EXM

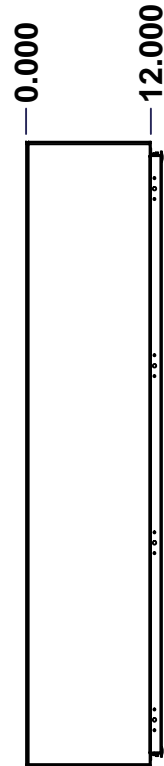
Ce dessin est confidentiel et ne doit pas être reproduit ou utilisé sans le consentement de EXM



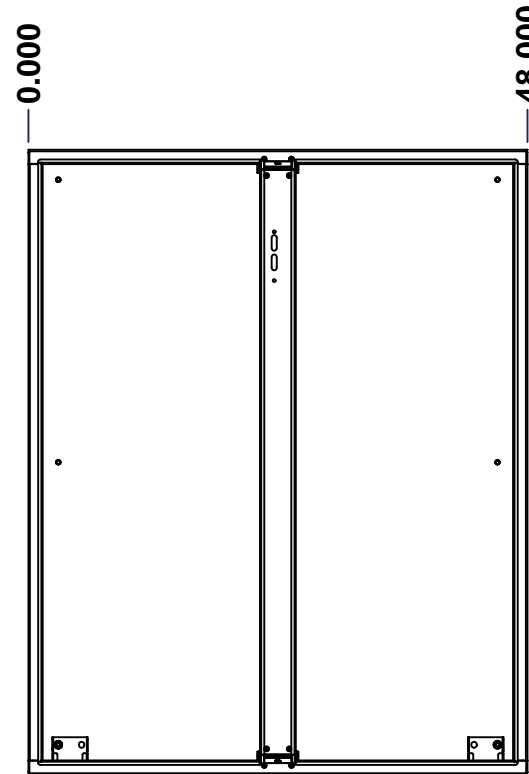
TOP



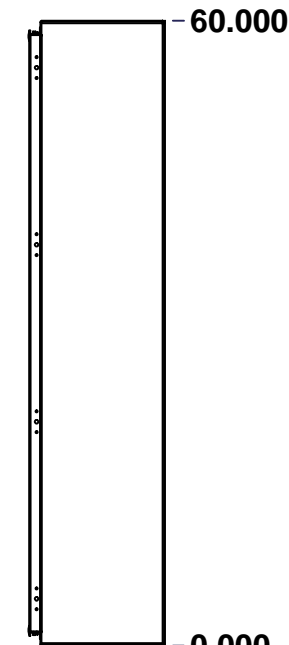
BACK



LEFT



FRONT

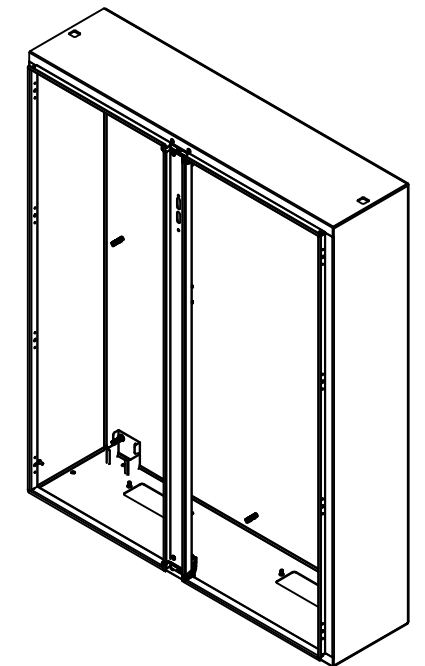


RIGHT



BOTTOM

No.	Revisions	Date	By/Par



Isometric View



Tél: (450) 979-4373
 Fax: (450) 979-4626
www.exmweb.com

Flatness
Aplatissement
Max 3.0mm
Projection

Customer Client	Date
Drawn By / Dessiné Par: BoxCad: BoxCad	Date: 24-Mar-22
Material / Matière: 12 Ga Stainless Steel 304 (2.5mm)	
Color / Couleur: Unpainted	Finish / Fini: Brushed
Description: 5500UCDSS 60" x 48" x 12" Body	Detail Rev.

Part Number / Numéro Pièce: 5500UCDSS604812B	Rev. 0	1 / 2
--	--------	-------

SEE BILL OF MATERIAL ON LAST PAGE

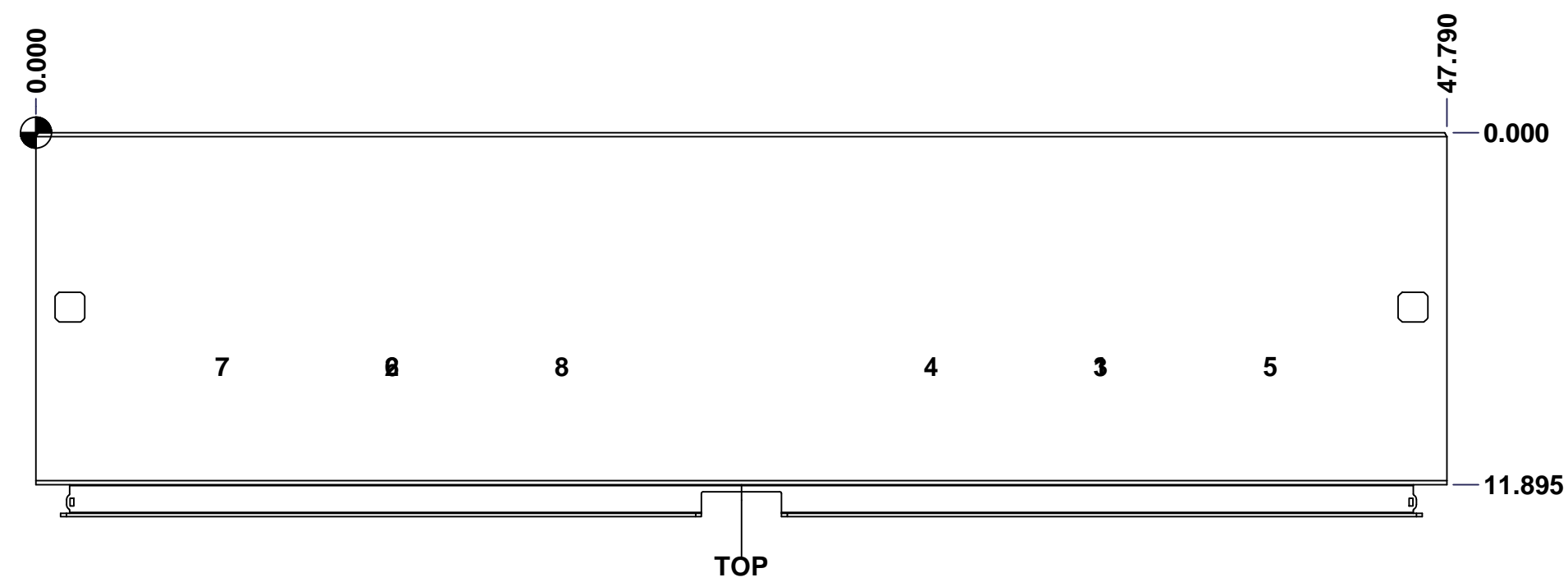
This drawing is confidential and must not be reproduced or used without the consent of EXM

Ce dessin est confidentiel et ne doit pas être reproduit ou utilisé sans le consentement de EXM

STANDARD FEATURES ARE NOT LISTED IN THIS HOLE TABLE

HOLE TABLE - TOP VIEW (CUSTOM FEATURE ONLY)

CUT-OUT	XDIM	YDIM	DESCRIPTION
1	35.895	7.895	Struts CR400 17.500" (Inside)
2	11.895	7.895	Struts CR400 17.500" (Inside)
3	35.895	7.895	STUDS M6 x 10mm (Inside)
4	30.145	7.895	STUDS M6 x 10mm (Inside)
5	41.645	7.895	STUDS M6 x 10mm (Inside)
6	11.895	7.895	STUDS M6 x 10mm (Inside)
7	6.145	7.895	STUDS M6 x 10mm (Inside)
8	17.645	7.895	STUDS M6 x 10mm (Inside)

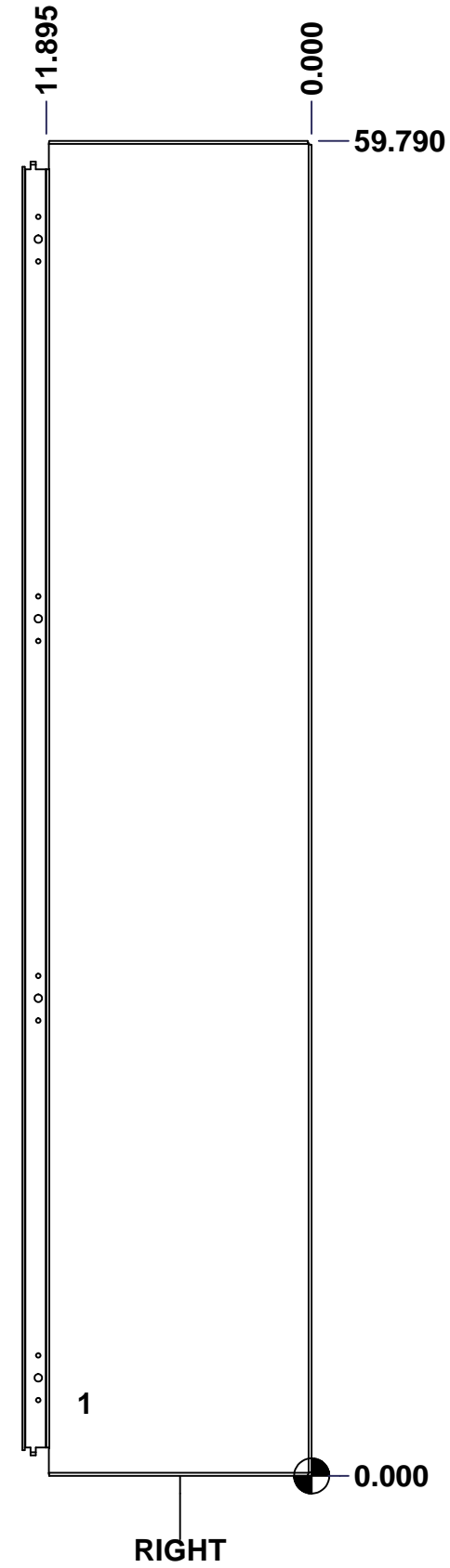


	Description	Status	
	5500UCDSS 60" x 48" x 12" Body	Released	
	Part Number Numéro Pièce	Rev.	
	5500UCDSS604812B	0	2 / 7

This drawing is confidential and must not be reproduced or used without the consent of EXM

Ce dessin est confidentiel et ne doit pas être reproduit ou utilisé sans le consentement de EXM

STANDARD FEATURES ARE NOT LISTED IN THIS HOLE TABLE			
HOLE TABLE - RIGHT VIEW (CUSTOM FEATURE ONLY)			
CUT-OUT	XDIM	YDIM	DESCRIPTION
1	10.395	3.270	GND STUD M6 x 16mm (Inside)



	Description	Status
	5500UCDSS 60" x 48" x 12" Body	Released
	Part Number Numéro Pièce	Rev.
	5500UCDSS604812B	0
		3
		7

This drawing is confidential and must not be reproduced or used without the consent of EXM

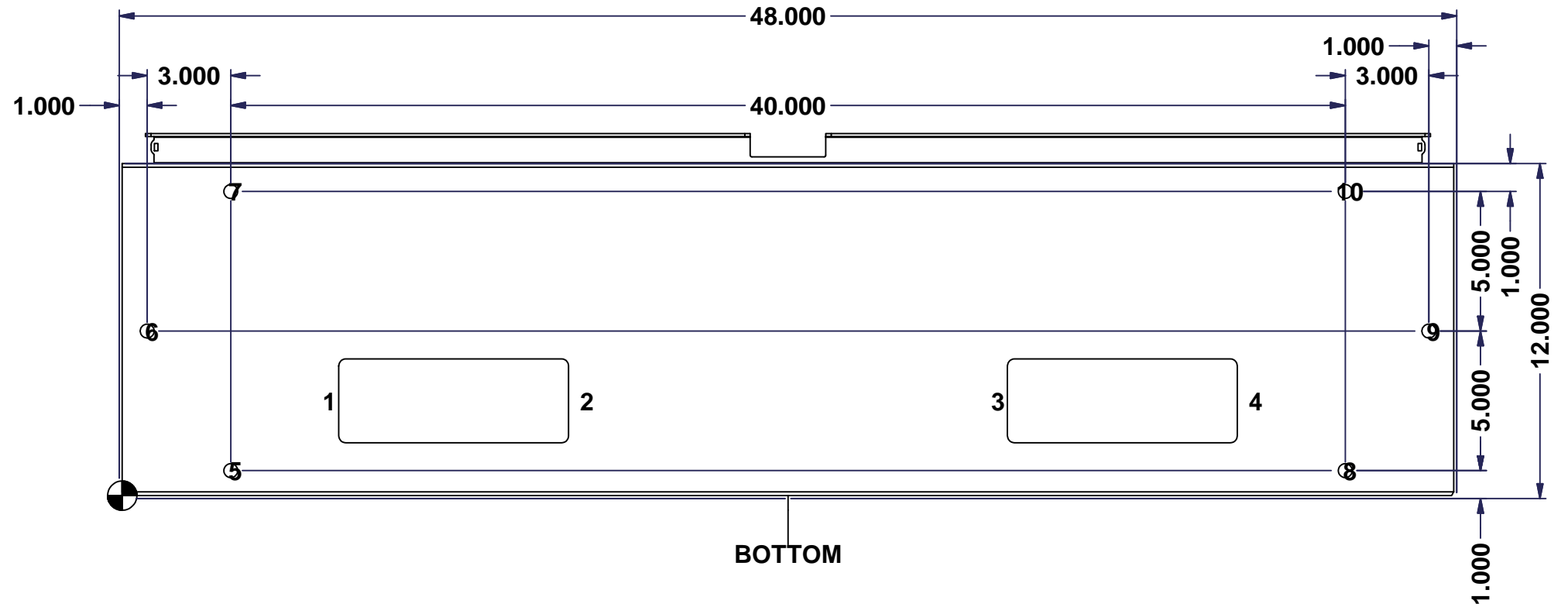
Ce dessin est confidentiel et ne doit pas être reproduit ou utilisé sans le consentement de EXM

STANDARD FEATURES ARE NOT LISTED IN THIS HOLE TABLE

HOLE TABLE - BOTTOM VIEW (CUSTOM FEATURE ONLY)

CUT-OUT	XDIM	YDIM	DESCRIPTION
1	7.270	3.395	GP STUD M6 x 16mm (Inside)
2	16.520	3.395	GP STUD M6 x 16mm (Inside)
3	31.270	3.395	GP STUD M6 x 16mm (Inside)
4	40.520	3.395	GP STUD M6 x 16mm (Inside)

5	3.895	0.895	RND Ø0.500
6	0.895	5.895	RND Ø0.500
7	3.895	10.895	RND Ø0.500
8	43.895	0.895	RND Ø0.500
9	46.895	5.895	RND Ø0.500
10	43.895	10.895	RND Ø0.500



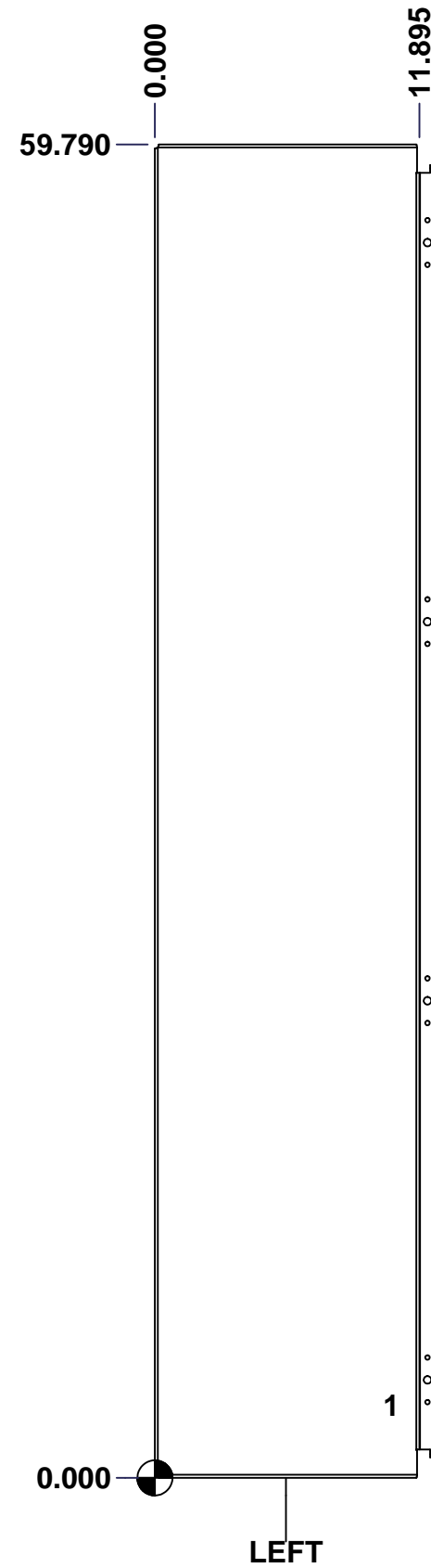
BOTTOM

	Description	Status	
	5500UCDSS 60" x 48" x 12" Body	Released	
	Part Number Numéro Pièce	Rev.	
	5500UCDSS604812B	0	4 / 7

This drawing is confidential and must not be reproduced or used without the consent of EXM

Ce dessin est confidentiel et ne doit pas être reproduit ou utilisé sans le consentement de EXM

STANDARD FEATURES ARE NOT LISTED IN THIS HOLE TABLE			
HOLE TABLE - LEFT VIEW (CUSTOM FEATURE ONLY)			
CUT-OUT	XDIM	YDIM	DESCRIPTION
1	10.395	3.270	GND STUD M6 x 16mm (Inside)



	Description	Status
	5500UCDSS 60" x 48" x 12" Body	Released
	Part Number Numéro Pièce	Rev.
	5500UCDSS604812B	0
		5 / 7

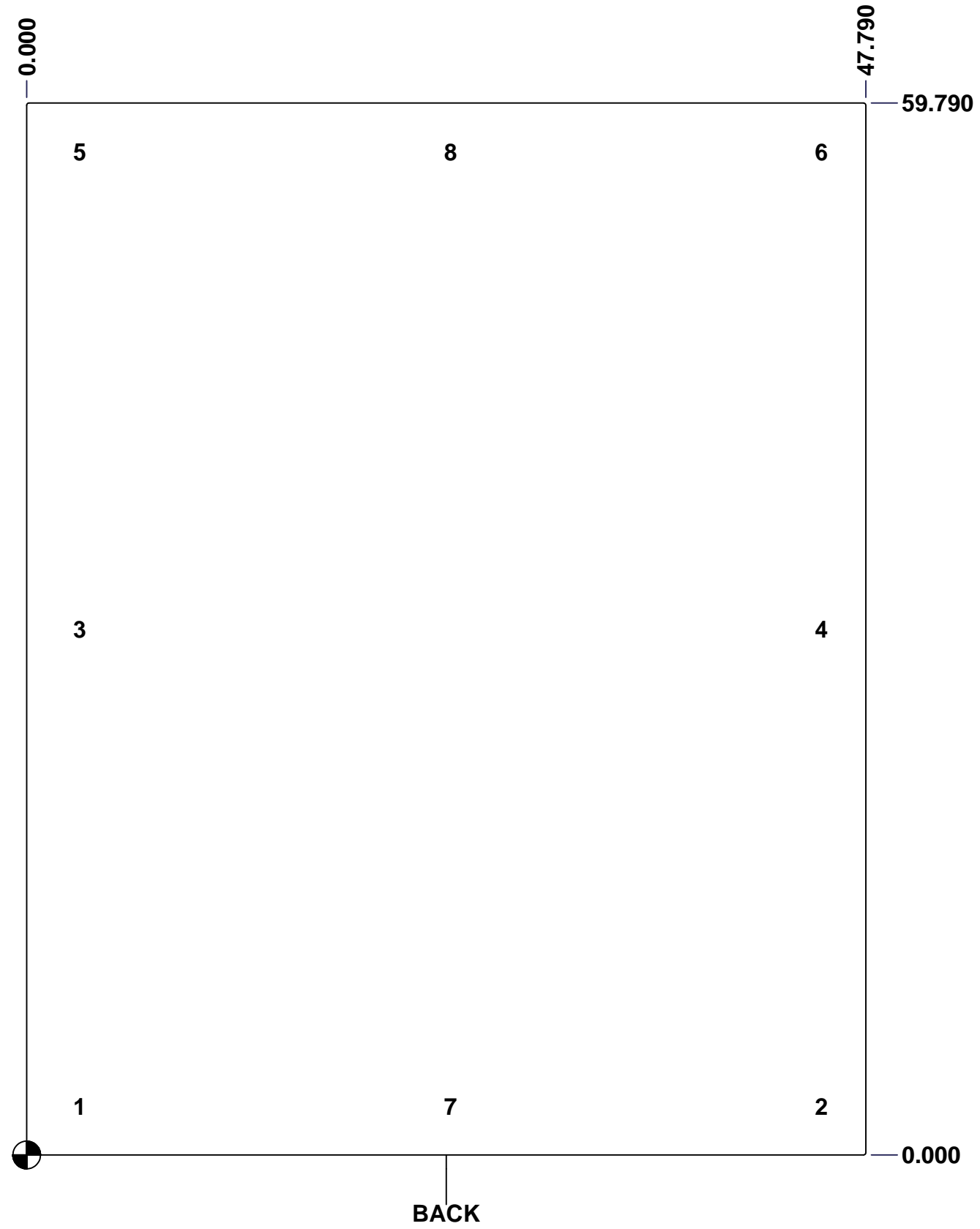
This drawing is confidential and must not be reproduced or used without the consent of EXM

Ce dessin est confidentiel et ne doit pas être reproduit ou utilisé sans le consentement de EXM

STANDARD FEATURES ARE NOT LISTED IN THIS HOLE TABLE

HOLE TABLE - BACK VIEW (CUSTOM FEATURE ONLY)

CUT-OUT	XDIM	YDIM	DESCRIPTION
1	2.770	2.770	IP STUD M10 x 40mm (Inside)
2	45.020	2.770	IP STUD M10 x 40mm (Inside)
3	2.770	29.895	IP STUD M10 x 40mm (Inside)
4	45.020	29.895	IP STUD M10 x 40mm (Inside)
5	2.770	57.020	IP STUD M10 x 40mm (Inside)
6	45.020	57.020	IP STUD M10 x 40mm (Inside)
7	23.895	2.770	IP STUD M10 x 40mm (Inside)
8	23.895	57.020	IP STUD M10 x 40mm (Inside)

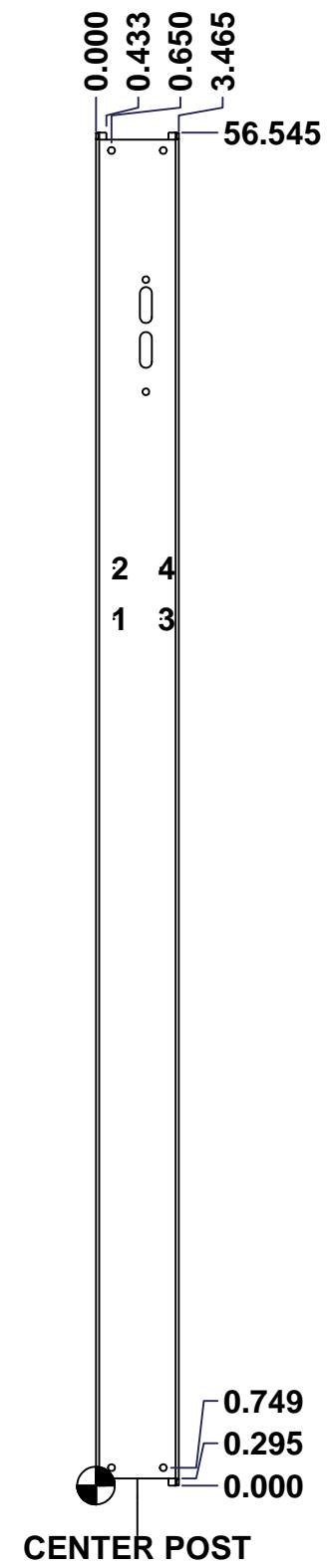


	Description		Status	
	5500UCDSS 60" x 48" x 12" Body		Released	
Part Number Numéro Pièce		Rev.	6	
5500UCDSS604812B		0	7	

This drawing is confidential and must not be reproduced or used without the consent of EXM

Ce dessin est confidentiel et ne doit pas être reproduit ou utilisé sans le consentement de EXM

STANDARD FEATURES ARE NOT LISTED IN THIS HOLE TABLE			
HOLE TABLE - CENTER VIEW (CUSTOM FEATURE ONLY)			
CUT-OUT	XDIM	YDIM	DESCRIPTION
1	0.748	36.220	INTERLOCK STUD M6 x 16mm (Inside)
2	0.748	38.346	INTERLOCK STUD M6 x 16mm (Inside)
3	2.717	36.220	INTERLOCK STUD M6 x 16mm (Inside)
4	2.717	38.346	INTERLOCK STUD M6 x 16mm (Inside)

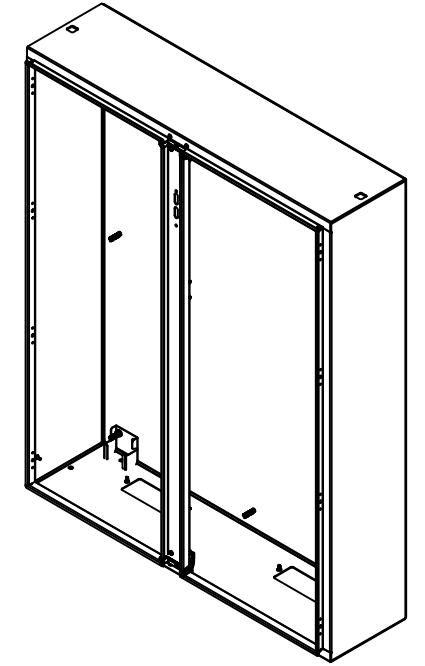


	Description	Status
	5500UCDSS 60" x 48" x 12" Body	Released
	Part Number Numéro Pièce	Rev.
	5500UCDSS604812B	0
		6 7

This drawing is confidential and must not be reproduced or used without the consent of EXM

Ce dessin est confidentiel et ne doit pas être reproduit ou utilisé sans le consentement de EXM

No.	Revisions	Date	By/Par



Isometric View



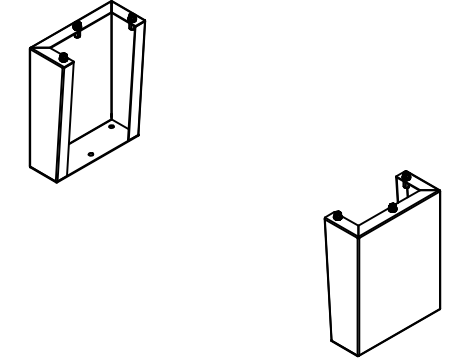
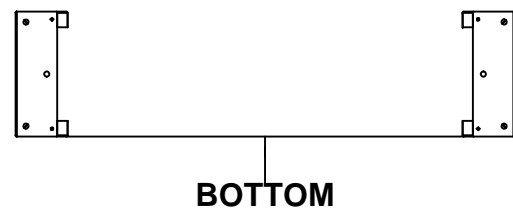
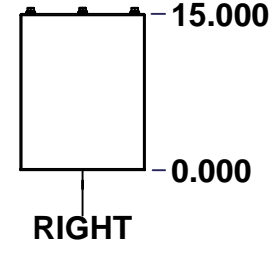
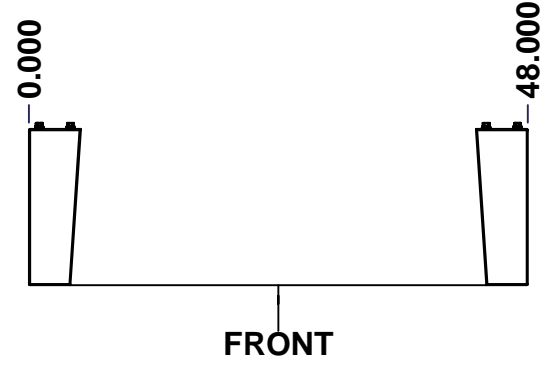
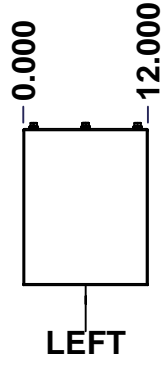
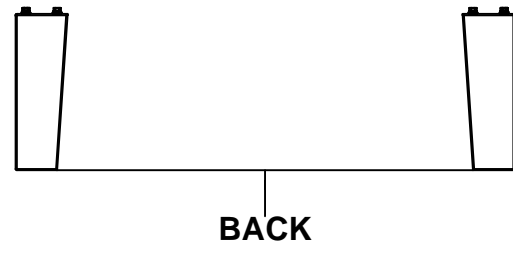
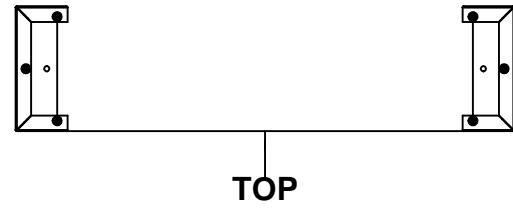
Qty	Part Number	Rev	Description
6	STK-Q-16040	0	Stud M6 x 10mm Stainless Steel
6	STK-Q-07220	1	M6 Nylon Insert Lock Nut
2	STK-Q-16085	0	Ground Stud M6 x 16mm Stainless Steel
4	STK-Q-16095	0	M6 x 16mm Stainless Steel Ground Stud
4	STK-Q-16070	1	Stud M6 x 18mm Stainless steel
1	STK-A-75456	2	Center Post - Stainless Steel Sealing Block with Latch Assembly (Large)
1	5500UCDSS604812CP-P	0	5500UCDSS 60" Center Post Part
2	STK-Q-07320	0	Flange Lock Nut M10
2	STK-Q-07618	1	5500 Series Inner Panel Support Bracket
8	STK-Q-16120	0	Stud M10 x 40mm Stainless Steel
1	5500UCDSS604812BT-P	0	5500UCDSS 48" x 12" Bottom Part
1	5500UCDSS604812T-P	0	5500UCDSS 48" x 12" Top Part
1	5500UCDSS604812RS-P	0	5500UCDSS 60" x 48" Right Part
1	5500UCDSS604812LS-P	0	5500UCDSS 60" x 48" Left Part
1	5500UCDSS604812B-P	0	5500UCDSS 60" x 48" Back Part
2	CR400SS_17.5	0	Commercial Roll Stainless Steel (17.5in long)
Qty	Part Number	Rev	Description
Parts List			



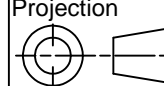
Tél: (450) 979-4373 Fax: (450) 979-4626 www.exmweb.com	Flatness Aplatissement
	Max 3.0mm
Projection	
Customer Client	Date
Drawn By Dessiné Par	Date 24-Mar-22
Material Matière	12 Ga Stainless Steel 304 (2.5mm)
Color Couleur	Unpainted
Finish Fini	Brushed
Description	Detail Rev.
5500UCDSS 60" x 48" x 12" Body	
Part Number Numéro Pièce	Rev. 2
5500UCDSS604812B	0

This drawing is confidential and must not be reproduced or used without the consent of EXM

Ce dessin est confidentiel et ne doit pas être reproduit ou utilisé sans le consentement de EXM

No.	Revisions	Date	By/Par



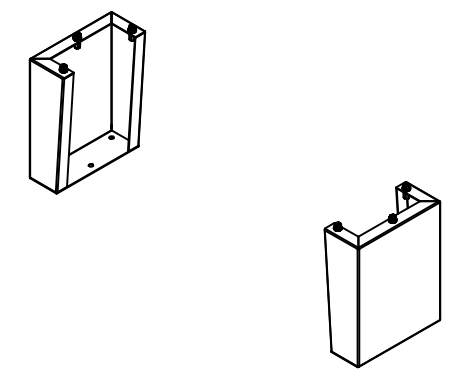
 Tél: (450) 979-4373 Fax: (450) 979-4626 www.exmweb.com		Flatness Aplatissement  Max 3.0mm	
		Projection 	
Customer Client		Date	
Drawn By Dessiné Par BoxCad: BoxCad		Date 24-Mar-22	
Material Matière		12 Ga Stainless Steel 304 (2.5mm)	
Color Couleur	Unpainted	Finish Fini	Brushed
Description		Detail Rev.	
885 MFHD 15" x 12" Mounting Feet			
Part Number Numéro Pièce		Rev.	1
5500UCDSS604812MF		0	4

SEE BILL OF MATERIAL ON LAST PAGE

This drawing is confidential and must not be reproduced or used without the consent of EXM


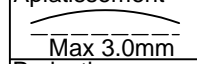
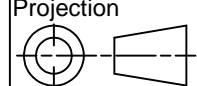
Ce dessin est confidentiel et ne doit pas être reproduit ou utilisé sans le consentement de EXM

No.	Revisions	Date	By/Par



Isometric View



 Tél: (450) 979-4373 Fax: (450) 979-4626 www.exmweb.com		Flatness Aplatissement  Max 3.0mm Projection 
Customer Client	Date	
Drawn By Dessiné Par	BoxCad: BoxCad	Date 24-Mar-22
Material Matière	12 Ga Stainless Steel 304 (2.5mm)	
Color Couleur	Unpainted	Finish Fini Brushed
Description		Detail Rev.
885 MFHD 15" x 12" Mounting Feet		
Part Number Numéro Pièce	Rev. 0	4
5500UCDSS604812MF		4

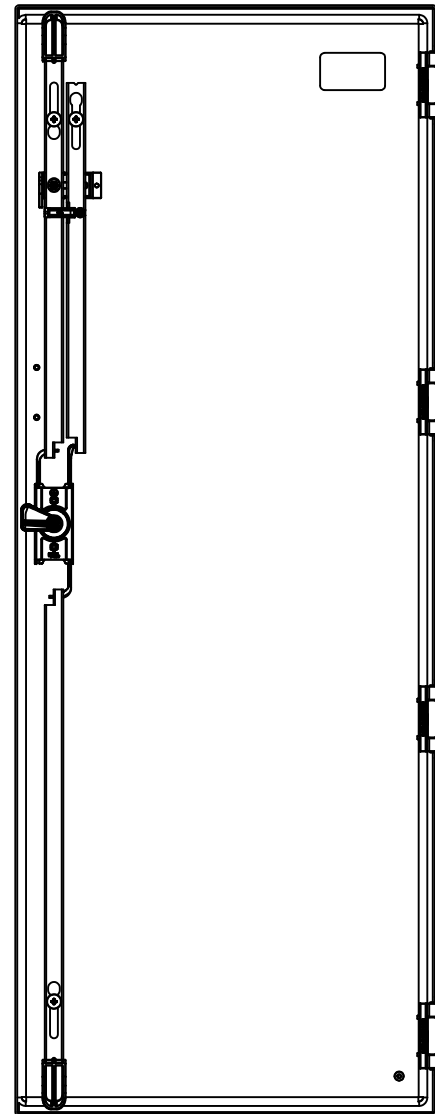
Qty	Part Name	Rev	Description
6	RIVET_NUT_SS_M10_FH_CE	0	Stainless Steel Rivet Nut M10 (Low Profile Close End)
1	5500UCDSS604812MFR-P	0	885 MFHD 15" x 12" Right Mounting Feet Part
1	5500UCDSS604812MFL-P	0	885 MFHD 15" x 12" Left Mounting Feet Part
1	STK-K-11610	2	885 MFSS Accessory Kit
Parts List			

This drawing is confidential and must not be reproduced or used without the consent of EXM

Ce dessin est confidentiel et ne doit pas être reproduit ou utilisé sans le consentement de EXM



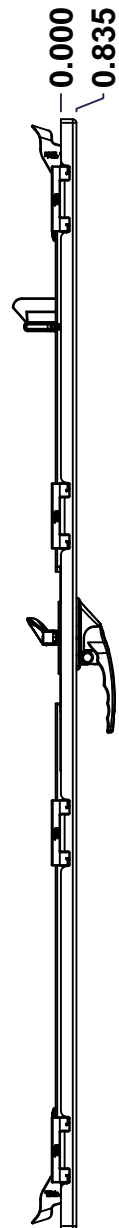
TOP



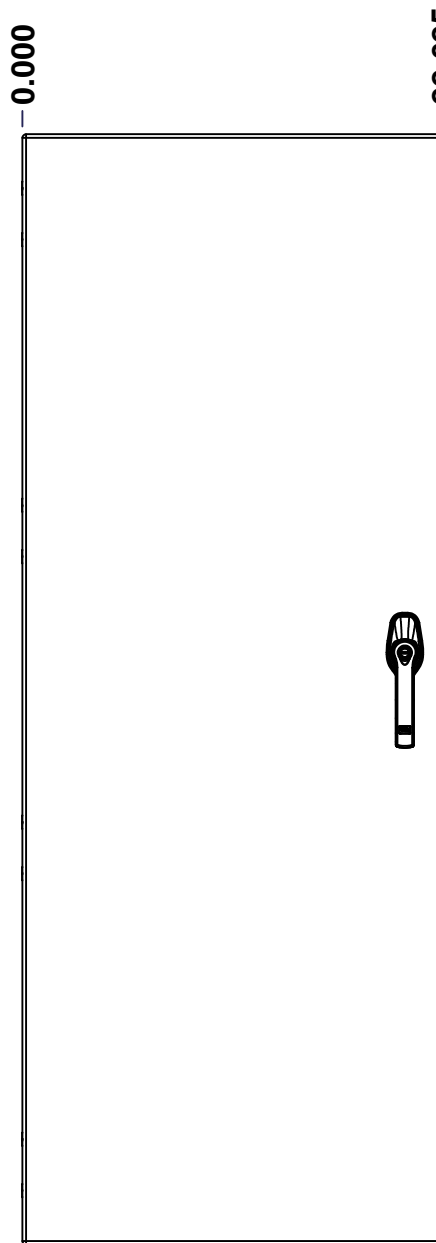
BACK



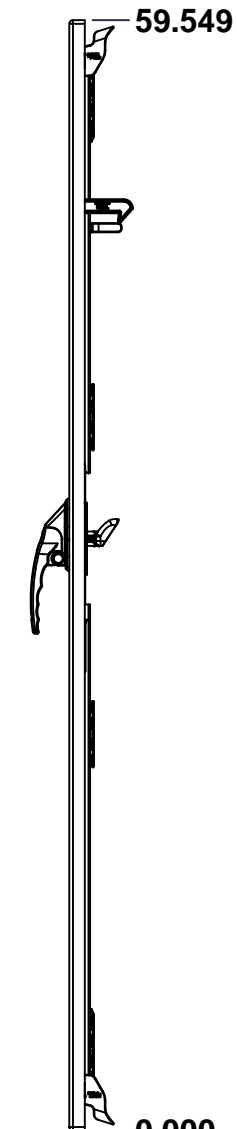
BOTTOM



LEFT

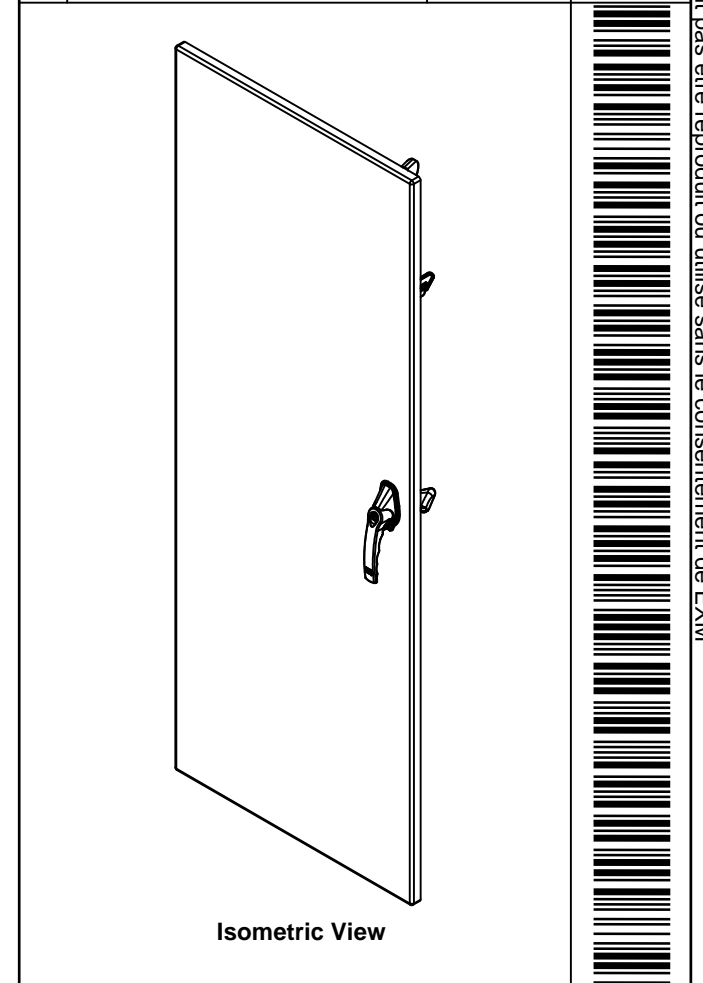



FRONT



RIGHT

No.	Revisions	Date	By/Par



 Tél: (450) 979-4373 Fax: (450) 979-4626 www.exmweb.com		Flatness Aplatissement	
		Max 3.0mm	
Customer Client		Date	
Drawn By Dessiné Par BoxCad: BoxCad		Date 24-Mar-22	
Material Matière 12 Ga Stainless Steel 304 (2.5mm)		Projection	
Color Couleur Unpainted		Finish Fini Brushed	
Description 5500UCDSS 60" x 48" Flange Door		Detail Rev.	
Part Number Numéro Pièce 5500UCDSS604812LD		Rev. 0	1 3

SEE BILL OF MATERIAL ON LAST PAGE

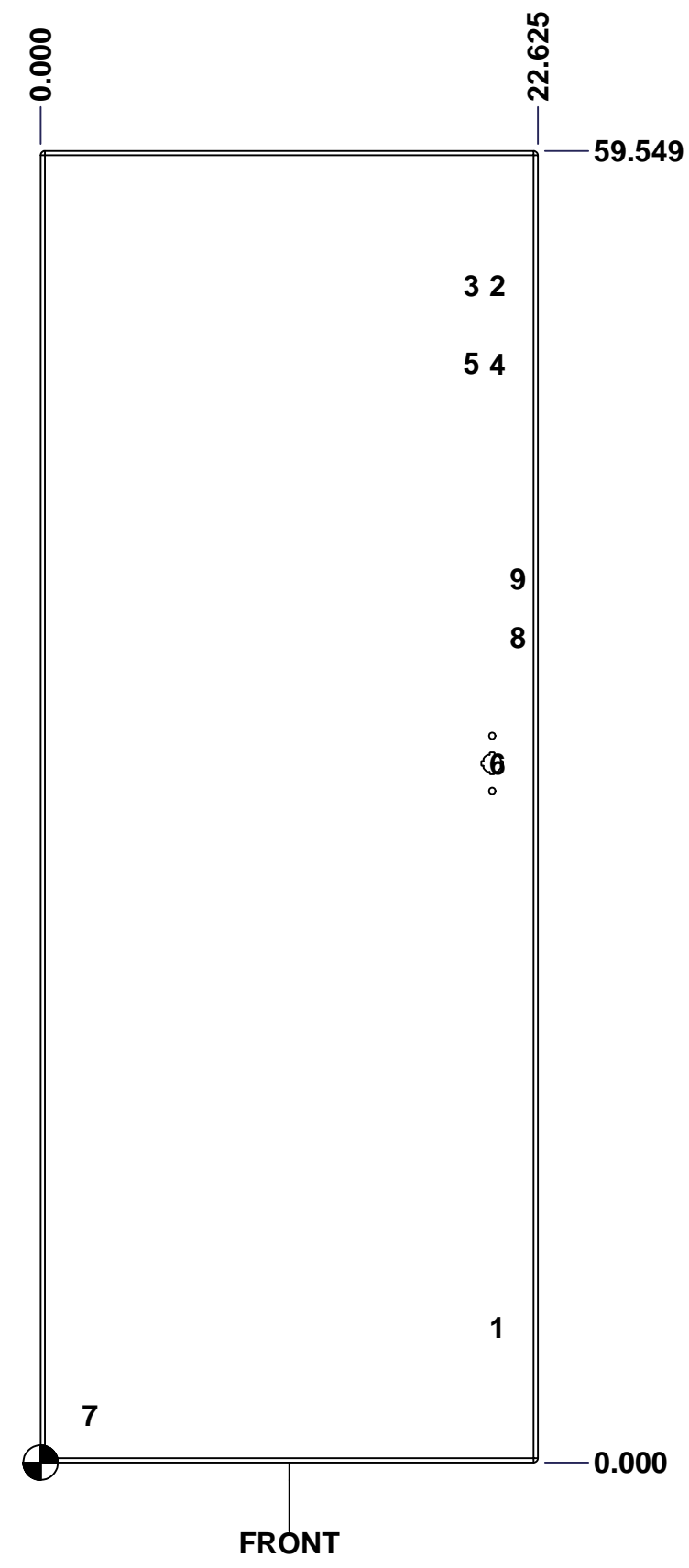
This drawing is confidential and must not be reproduced or used without the consent of EXM

Ce dessin est confidentiel et ne doit pas être reproduit ou utilisé sans le consentement de EXM

STANDARD FEATURES ARE NOT LISTED IN THIS HOLE TABLE

HOLE TABLE - FRONT VIEW (CUSTOM FEATURE ONLY)

CUT-OUT	XDIM	YDIM	DESCRIPTION
1	20.544	6.118	STUD M6 x 18mm (Inside)
2	20.544	53.430	STUD M6 x 18mm (Inside)
3	19.357	53.430	STUD M6 x 18mm (Inside)
4	20.544	49.886	STUD M6 x 18mm (Inside)
5	19.357	49.886	STUD M6 x 18mm (Inside)
-----	-----	-----	-----
6	20.544	31.743	HANDLE 885 ESL2A-APHDSS @ 0.0°
7	2.000	2.118	GND STUD M6 x 16mm (Inside)
8	21.475	37.445	STUDS M6 x 18mm (Inside)
9	21.475	40.123	STUDS M6 x 18mm (Inside)



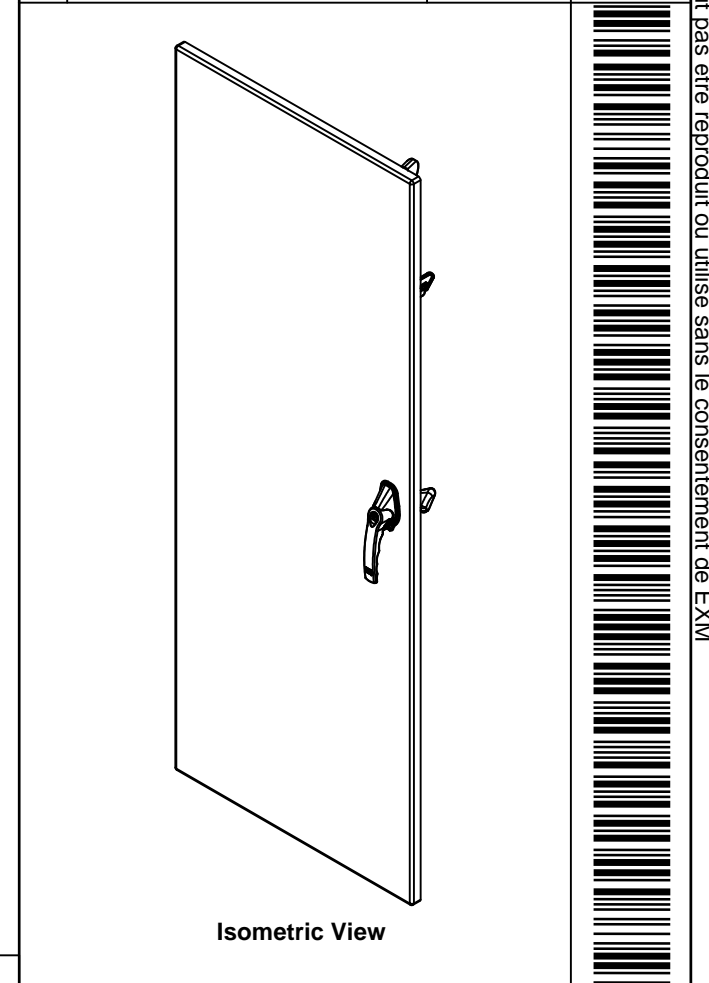
FRONT

	Description	Status
	5500UCDSS 60" x 48" Lock Door	(NULL)
	Part Number Numéro Pièce	Rev.
	5500UCDSS604812LD	0
		2
		3

This drawing is confidential and must not be reproduced or used without the consent of EXM

Ce dessin est confidentiel et ne doit pas être reproduit ou utilisé sans le consentement de EXM

No.	Revisions	Date	By/Par



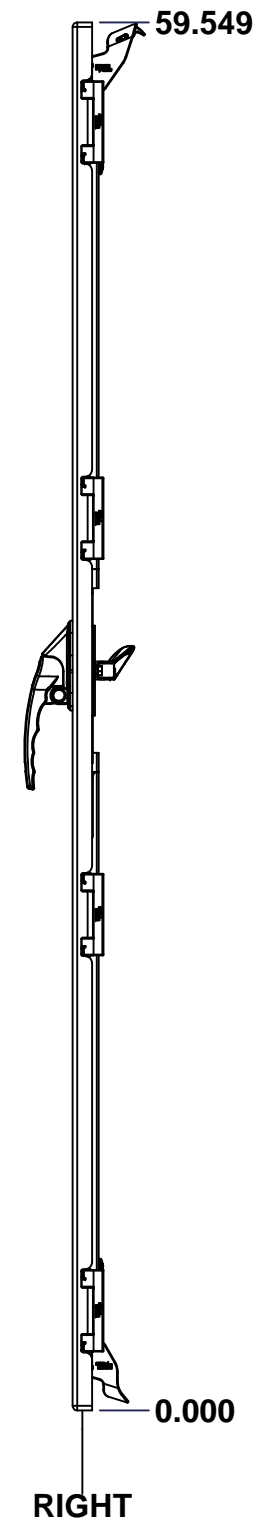
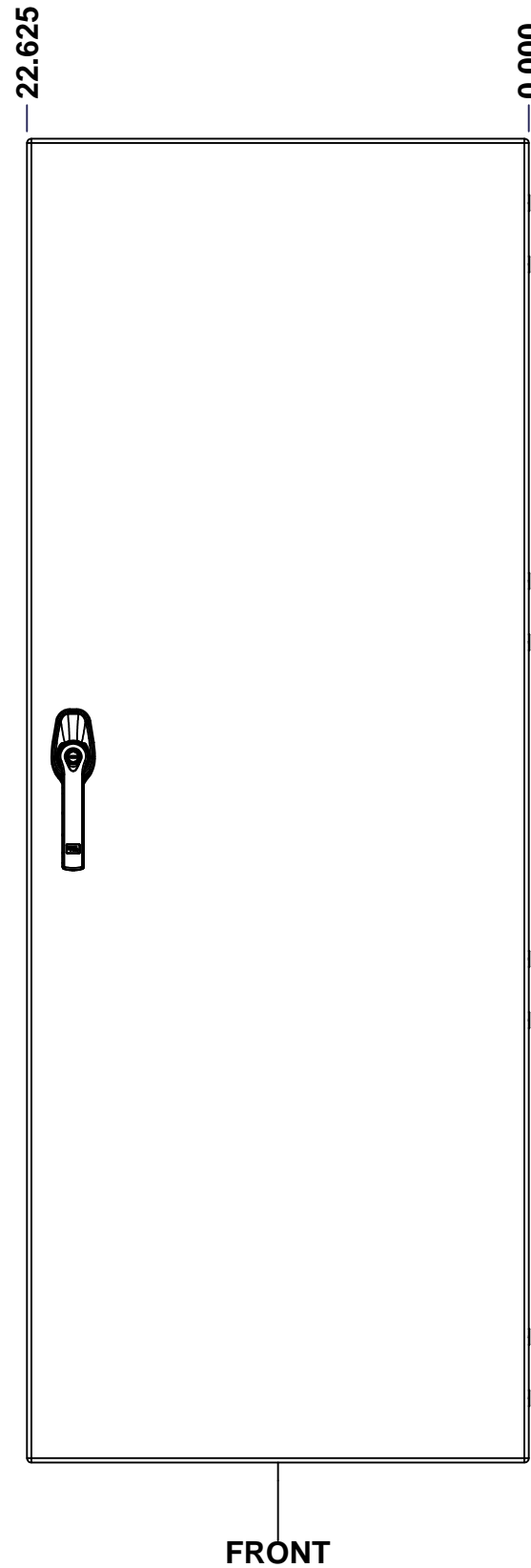
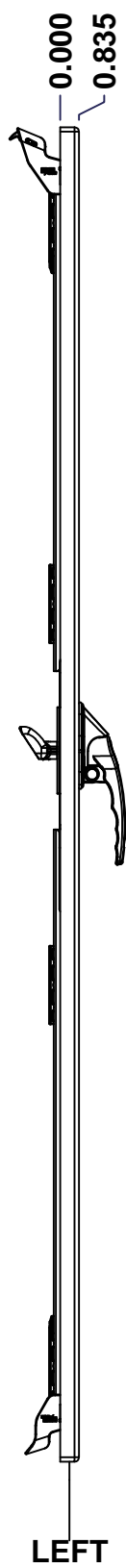
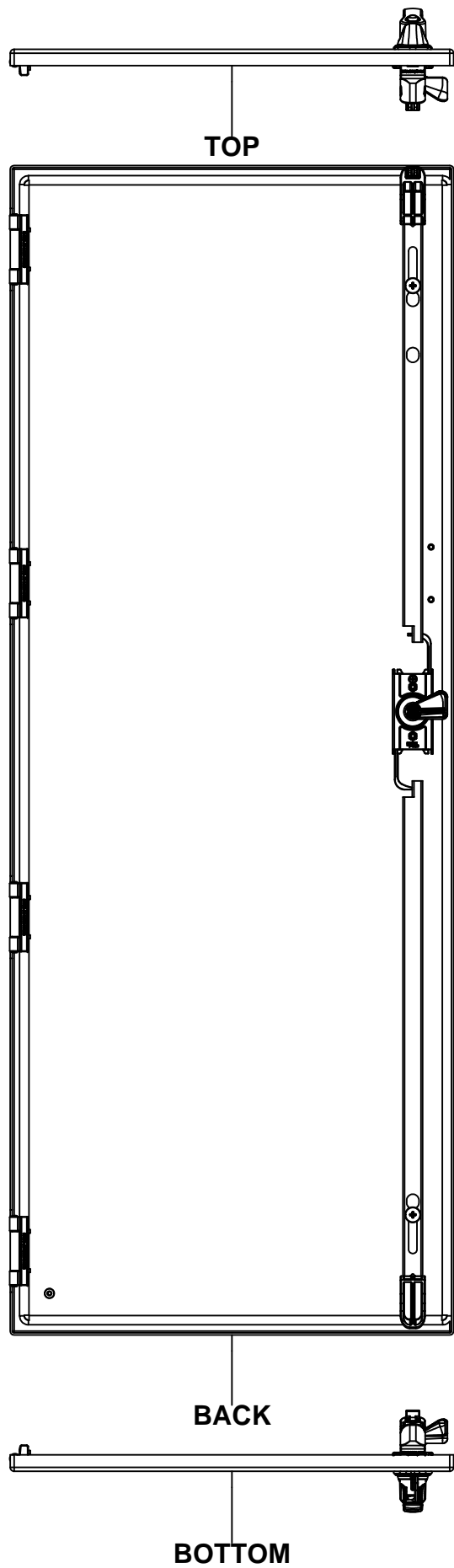
1	STK-Q-16085	0	Ground Stud M6 x 16mm Stainless Steel
1	5500UCDSS604812DB_E SY	0	5500UCDSS 60" Disconnect Defeater Bar
1	5500UCDSS604812CB	0	5500UCDSS 60" Closing Bar
1	5500UCDSS604812CB_E SY	0	5500UCDSS 60" Disconnect Closing Bar
1	STK-K-03895-36	3	Gearbox Clockwise Assembly (Grip 36mm)
1	885ESL-APHDSS	1	885 ESL2A-APHDSS - Stainless Steel L-Handle Padlockable Assy - Slot Cylinder
1	STK-S-00100	0	3.5" x 2" Silver Milar Flexcon Sticker
1	STK-Q-07220	1	M6 Nylon Insert Lock Nut
1	5500UCDSS604812LDG	0	5500UCDSS 60" x 48" Lock Door Gasket
1	STK-Q-13060	1	M6 Flat Washer
1	STK-Q-46600	3	5500 ESY Disconnect Door Hook
7	STK-Q-16070	1	Stud M6 x 18mm Stainless Steel
1	5500UCDSS604812LD-P	0	5500UCDSS 60" x 48" Lock Door Part
4	STK-K-09870	7	Cabinet Hinge with Captive Pins
Qty	Part Name	Rev	Description

Tél: (450) 979-4373 Fax: (450) 979-4626 www.exmweb.com		Flatness Aplatissement Max 3.0mm Projection
Customer Client	Date	
Drawn By Dessiné Par	BoxCad: BoxCad	Date 24-Mar-22
Material Matière	12 Ga Stainless Steel 304 (2.5mm)	
Color Couleur	Unpainted	Finish Fini Brushed
Description	5500UCDSS 60" x 48" Flange Door	
Part Number Numéro Pièce	Rev. 0	3
5500UCDSS604812LD		3

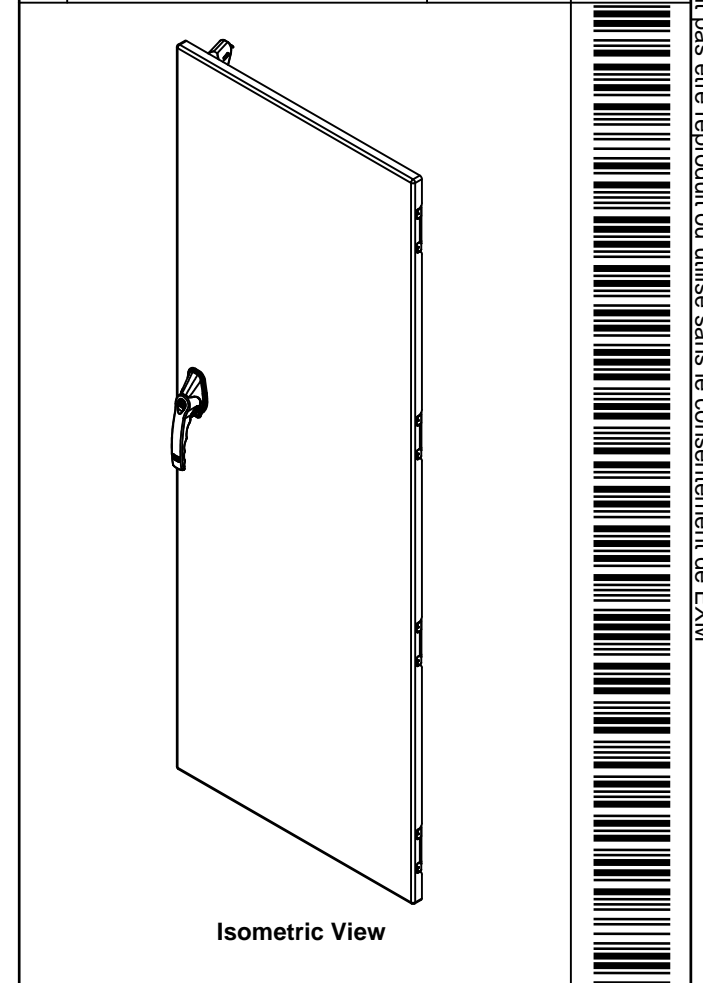
Parts List


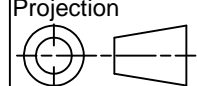
This drawing is confidential and must not be reproduced or used without the consent of EXM

Ce dessin est confidentiel et ne doit pas être reproduit ou utilisé sans le consentement de EXM



No.	Revisions	Date	By/Par



 Tél: (450) 979-4373 Fax: (450) 979-4626 www.exmweb.com		Flatness Aplatissement	
		Max 3.0mm	
Customer Client		Projection	
Date			
Drawn By Dessiné Par	BoxCad: BoxCad	Date	24-Mar-22
Material Matière	12 Ga Stainless Steel 304 (2.5mm)		
Color Couleur	Unpainted	Finish Fini	Brushed
Description		Detail Rev.	
5500UCDSS 60" x 48" Lock Door			
Part Number Numéro Pièce	Rev.	1	3
5500UCDSS604812FD		0	

SEE BILL OF MATERIAL ON LAST PAGE

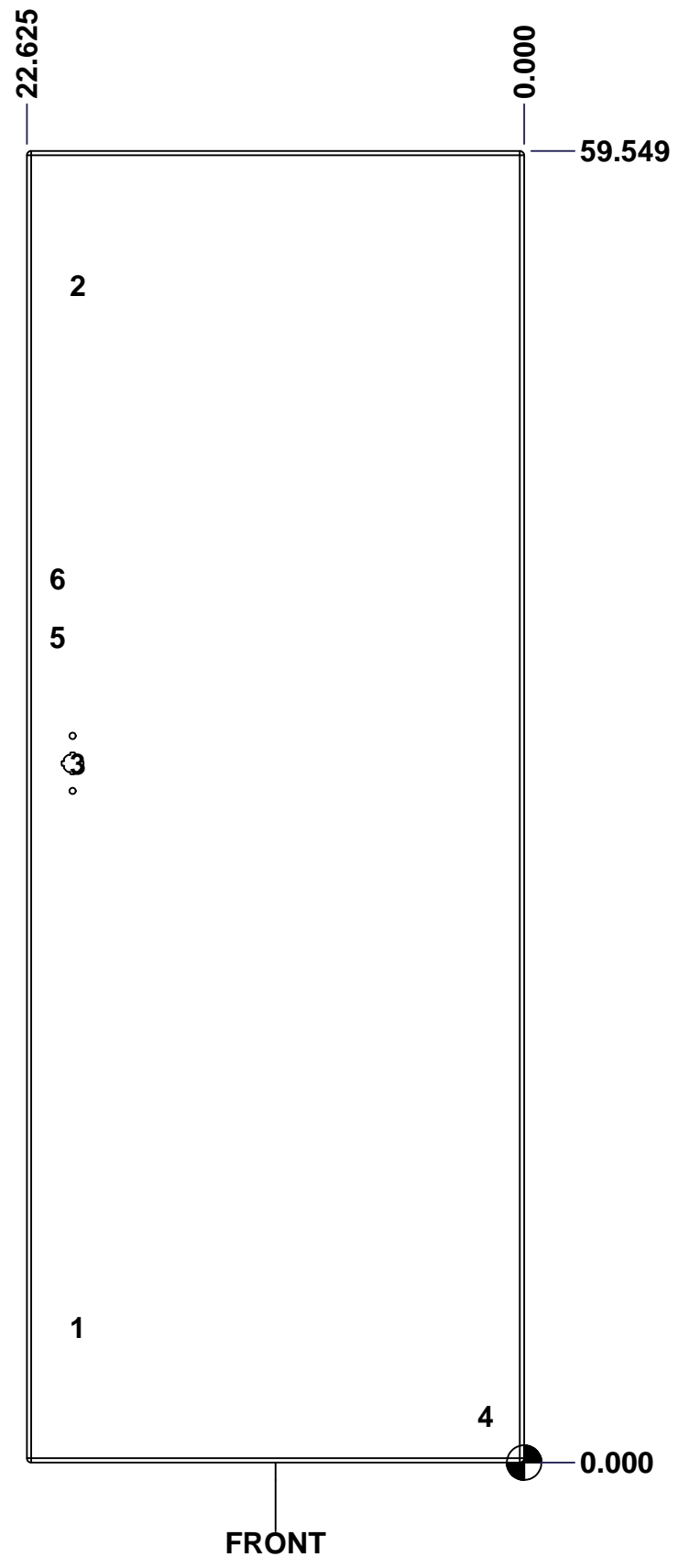
This drawing is confidential and must not be reproduced or used without the consent of EXM

Ce dessin est confidentiel et ne doit pas être reproduit ou utilisé sans le consentement de EXM

STANDARD FEATURES ARE NOT LISTED IN THIS HOLE TABLE

HOLE TABLE - FRONT VIEW (CUSTOM FEATURE ONLY)

CUT-OUT	XDIM	YDIM	DESCRIPTION
1	20.544	6.118	CLOSING BAR GUIDE (Inside)
2	20.544	53.430	CLOSING BAR GUIDE (Inside)
-----	-----	-----	-----
3	20.544	31.743	HANDLE 885 ESL2A-APHDSS @ 0.0°
4	2.000	2.118	GND STUD M6 x 16mm (Inside)
5	21.475	37.445	STUDS M6 x 18mm (Inside)
6	21.475	40.123	STUDS M6 x 18mm (Inside)

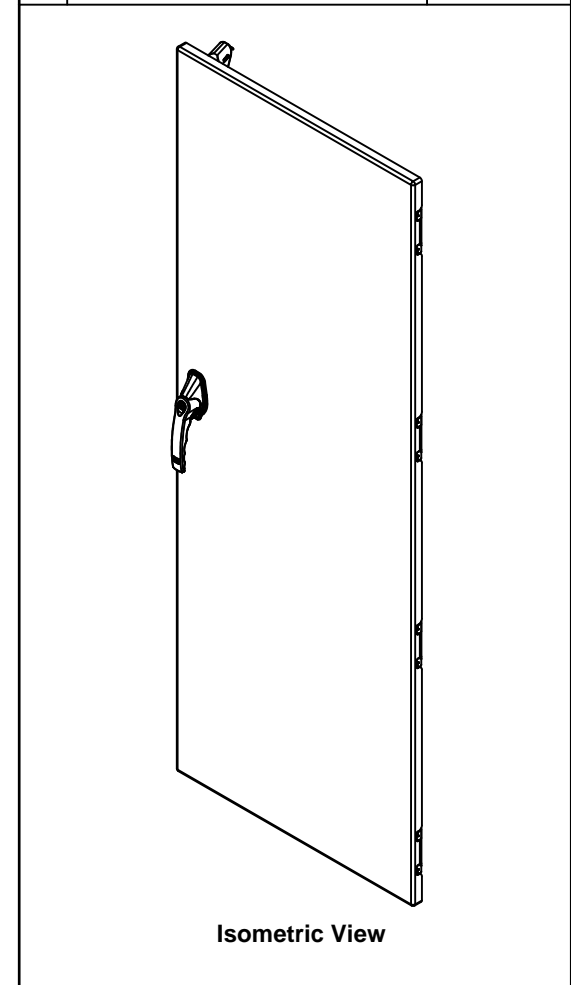


	Description	Status
	5500UCDSS 60" x 48" Lock Door	(NULL)
	Part Number Numéro Pièce	Rev.
	5500UCDSS604812FD	0 / 2 / 3

This drawing is confidential and must not be reproduced or used without the consent of EXM

Ce dessin est confidentiel et ne doit pas être reproduit ou utilisé sans le consentement de EXM

No.	Revisions	Date	By/Par



Qty	Part Name	Rev	Description
1	STK-Q-16085	0	Ground Stud M6 x 16mm Stainless Steel
1	5500UCDSS604812CB	0	5500UCDSS 60" Closing Bar
1	5500UCDSS604812CB2E SY	0	5500UCDSS 60" Disconnect Closing Bar (Right)
1	5500UCDSS604812FDG	0	5500UCDSS 60" x 48" Flange Door Gasket
1	STK-K-03980-36	12	Gearbox Counter Clockwise Assembly (Grip 36mm)
1	885ESL-APHDSS	1	885 ESL2A-APHDSS - Stainless Steel L-Handle Padlockable Assy - Slot Cylinder
4	STK-Q-16070	1	Stud M6 x 18mm Stainless Steel
1	5500UCDSS604812FD-P	0	5500UCDSS 60" x 48" Lock Door Part
4	STK-K-09870	7	Cabinet Hinge with Captive Pins

 Tél: (450) 979-4373 Fax: (450) 979-4626 www.exmweb.com	Flatness Aplatissement Max 3.0mm	
	Projection 	
Customer Client	Date	
Drawn By Dessiné Par	BoxCad: BoxCad	Date 24-Mar-22
Material Matière	12 Ga Stainless Steel 304 (2.5mm)	
Color Couleur	Unpainted	Finish Fini Brushed
Description	Detail Rev.	
	5500UCDSS 60" x 48" Lock Door	
Part Number Numéro Pièce	Rev. 0	3
5500UCDSS604812FD		3

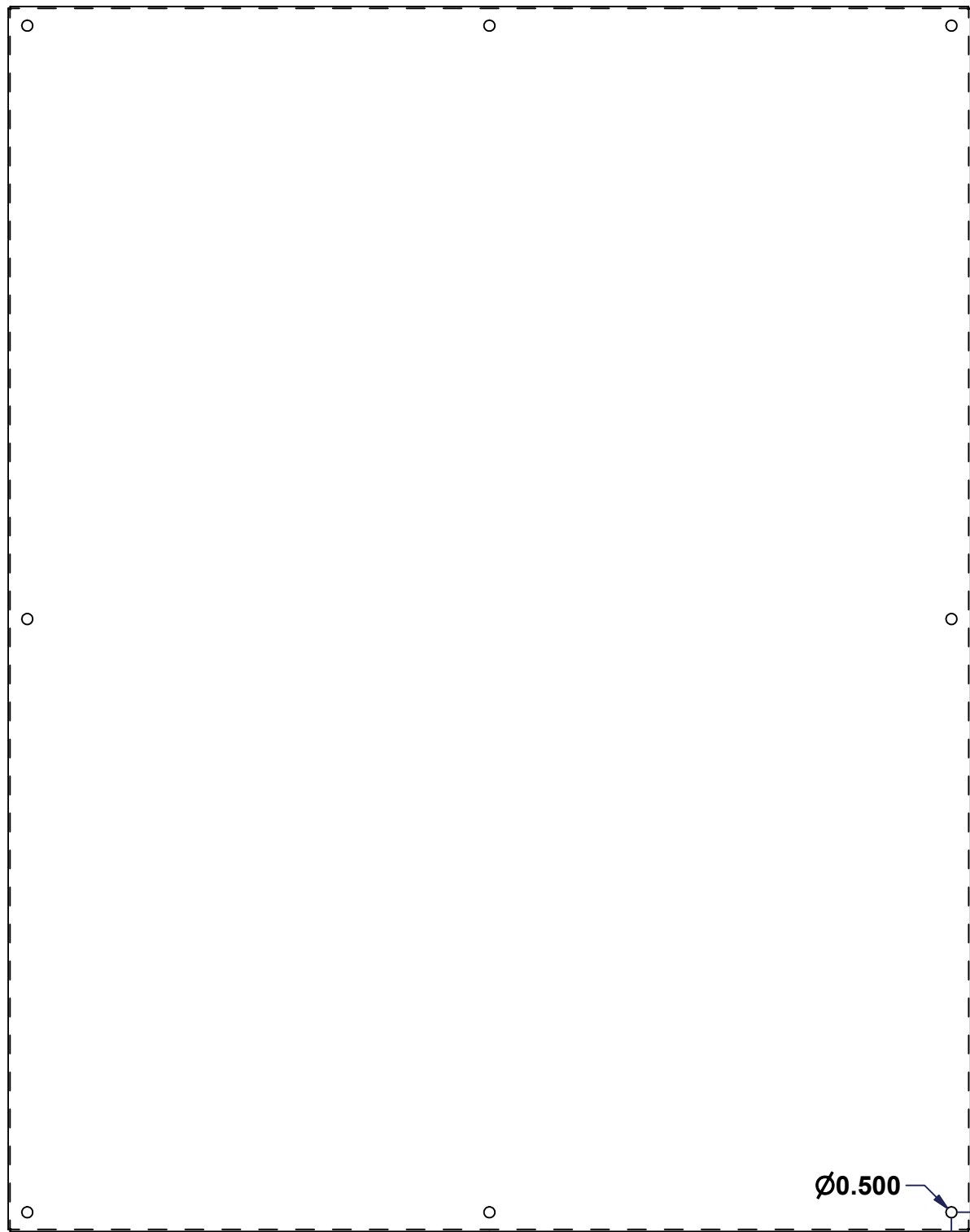
Parts List

This drawing is confidential and must not be reproduced or used without the consent of EXM

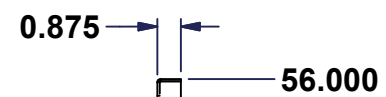
Ce dessin est confidentiel et ne doit pas être reproduit ou utilisé sans le consentement de EXM



TOP



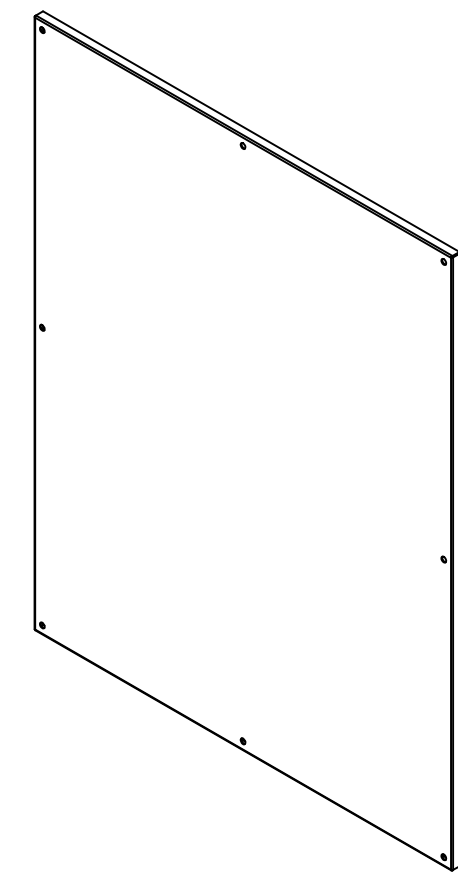
FRONT



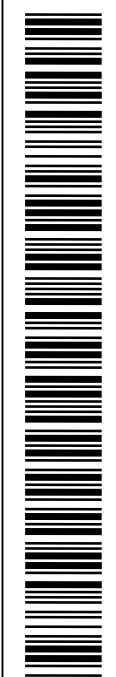
RIGHT

SEE BILL OF MATERIAL ON LAST PAGE

No.	Revisions	Date	By/Par



Isometric View



Tél: (450) 979-4373
 Fax: (450) 979-4626
 www.exmweb.com

Flatness
 Aplatissement
 Max 3.0mm
 Projection

Customer Client	Date
Drawn By Dessiné Par BoxCad	Date 04/11/2009
Material Matière	12 Ga H.R.P. & O. (2.5mm)

Color Couleur	White RAL9003	Finish Fini	Smooth
------------------	---------------	----------------	--------

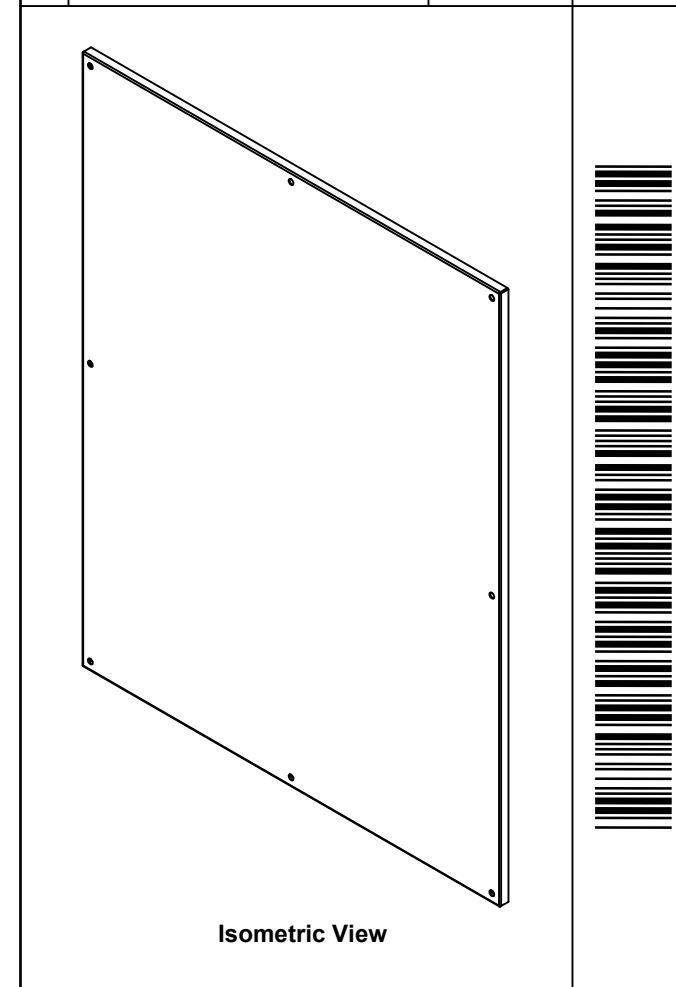
Description	Detail Rev.
885 SP6048 Inner Panel	


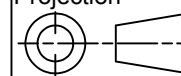
Part Number Numéro Pièce	Rev.	1
885SP6048	0	2

This drawing is confidential and must not be reproduced or used without the consent of EXM

Ce dessin est confidentiel et ne doit pas être reproduit ou utilisé sans le consentement de EXM

No.	Revisions	Date	By/Par



 Tél: (450) 979-4373 Fax: (450) 979-4626 www.exmweb.com		Flatness Aplatissement Max 3.0mm
Customer Client		Projection 
Drawn By / Dessiné Par: BoxCad		Date: 04/11/2009
Material / Matière: 12 Ga H.R.P. & O. (2.5mm)		
Color / Couleur: White RAL9003	Finish / Fini: Smooth	
Description: 885 SP6048 Inner Panel		Detail Rev.
Part Number / Numéro Pièce: 885SP6048		Rev. 0 / 2

Qty	Part Number	Rev	Description
1	STK-P-02401S	0	Powder Paint (White / Smooth)
1	885SP6048-P	0	885 SP6048 Inner Panel Part
Parts List			