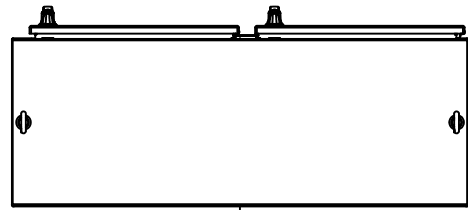
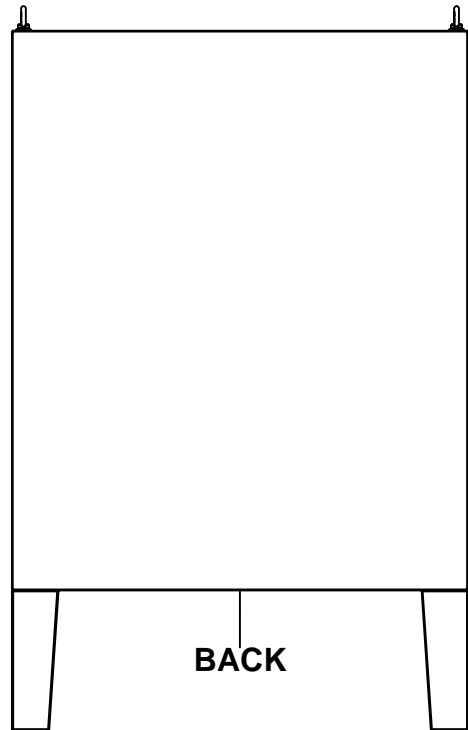


This drawing is confidential and must not be reproduced or used without the consent of EXM

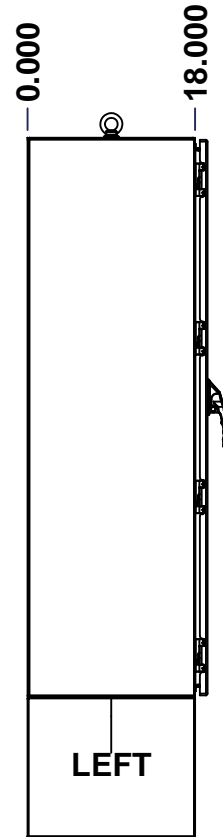
Ce dessin est confidentiel et ne doit pas être reproduit ou utilisé sans le consentement de EXM



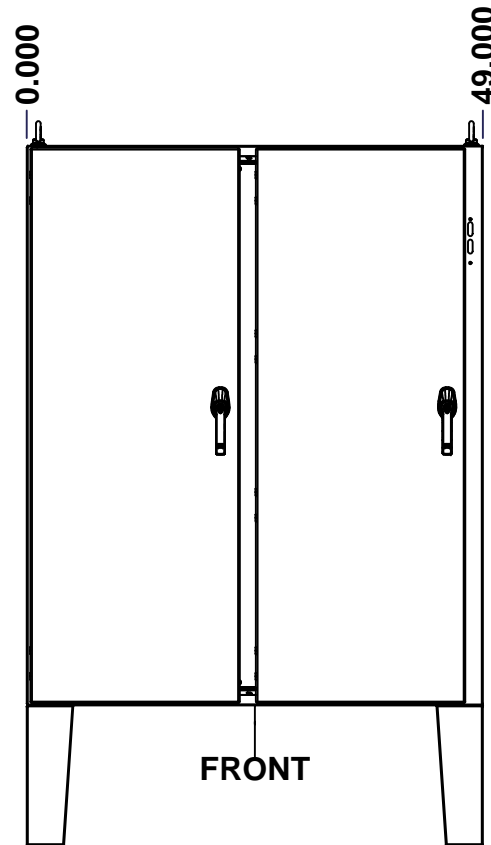
TOP



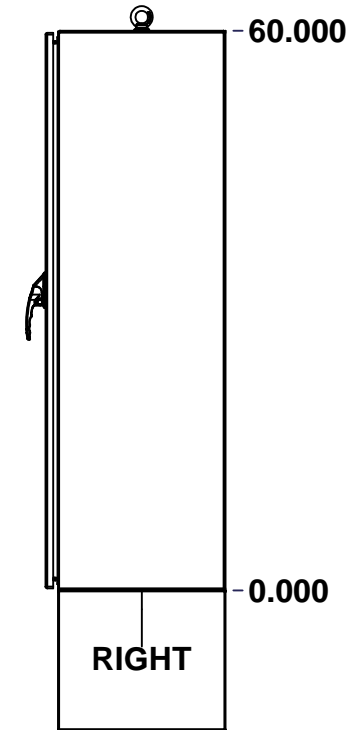
BACK



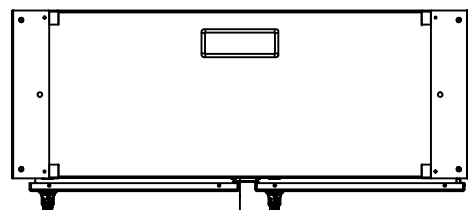
LEFT



FRONT

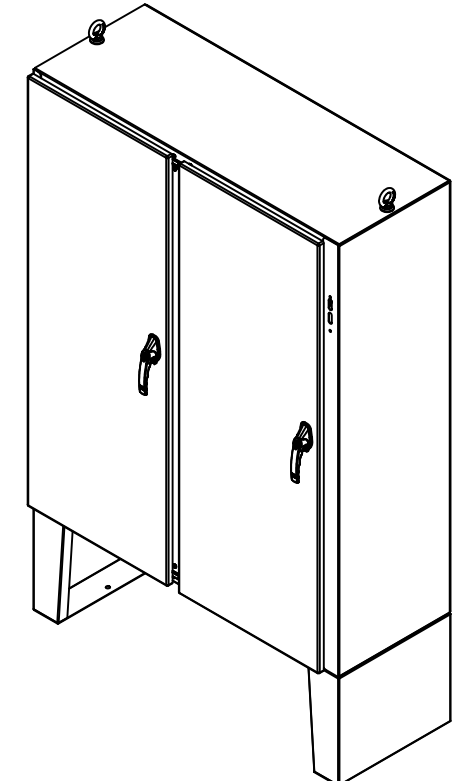


RIGHT




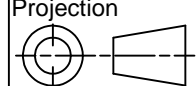
BOTTOM

No.	Revisions	Date	By/Par



Isometric View



 Tél: (450) 979-4373 Fax: (450) 979-4626 <a href="http://www.exmweb.com">www.exmweb.com</a>		Flatness Aplatissement Max 3.0mm Projection 
Customer Client	Date	Date
Drawn By Dessiné Par	BoxCad: BoxCad	Date 18-Mar-16
Material Matière	12 Ga Cold Rolled A1008 CS Type B (2.5mm)	
Color Couleur	Asa-61 Grey	Finish Fini Smooth
Description	5500UFD 60" x 49" x 18" Assembly	
Part Number Numéro Pièce	Rev. 0	1 2

SEE BILL OF MATERIAL ON LAST PAGE

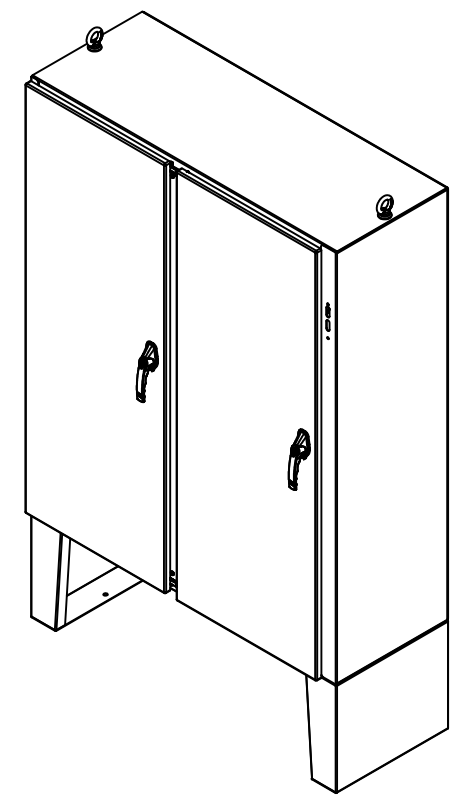
**5500UFD604918**

This drawing is confidential and must not be reproduced or used without the consent of EXM

Ce dessin est confidentiel et ne doit pas être reproduit ou utilisé sans le consentement de EXM

NOTE	
ITEM	DESCRIPTION
1	NEMA 12/13 Enclosure
2	C/W Standard ground studs on box and cover
3	C/W Standard door stiffener
4	C/W Standard inner panel (Included)
5	C/W Standard inner panel mounting studs
6	C/W Eyebolts
7	C/W Mounting feet sold separately (Installed)
8	C/W Struts installed (Included)
9	C/W Special handle sold separately (Kit)

No.	Revisions	Date	By/Par



Isometric View

PACKING		
ITEM	QTY	DESCRIPTION
Cardboard sleeve	2	Top and Bottom
Cardboard strip	2	Between back of enclosure and inner panel
Plastic bag	1	To protect cover surface and inside gasket
Cardboard corner	4	To reinforced for the plastic strap tightening
Plastic strap - Black	2	To Squeeze 2 cardboard sleeve together
Packaging label	3	White label with PN
Plastic strap- Green	2	To secure the enclosure to the wood pallet
Wood Pallet	1	2" deeper and 3" larger than enclosure size

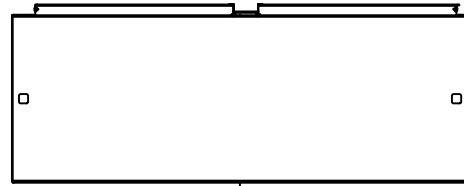
Qty	Part Number	Rev	Description
1	5500UFD604918MF	0	885 MFHD 15" x 18" Mounting Feet
1	880INTI	2	880 INTI - Interlock Post Kit
1	5500UFD604918GP	0	5500UFD Gland Plate
1	880EB14	2	Eye Bolt M14 (Pack of 2)
8	STK-Q-07320	0	Flange Lock Nut M10
1	885SP6048G	0	885 SP6048G Inner Panel
6	STK-Q-07620	0	M10 Plastic Spacer 0.875"
1	5500UFD604918FD	0	5500UFD 60" x 49" Lock Door
1	5500UFD604918LD	0	5500UFD 60" x 49" Lock Door
1	5500UFD604918B	0	5500UFD 60" x 49" x 18" Body
8	STK-Q-04050-10	8	M6 x 10mm Hexagon Socket Head Machine Screw with Nyseal

Parts List

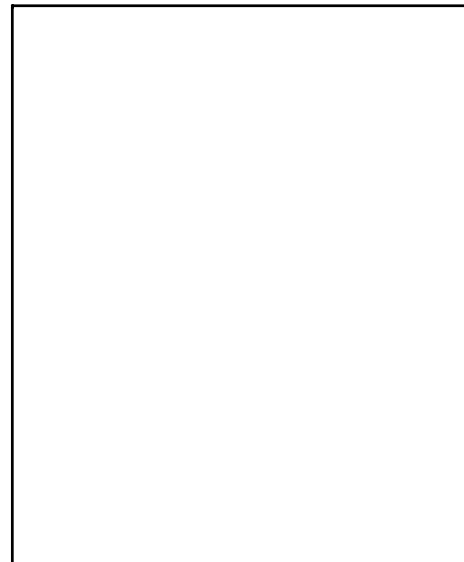
	Tél: (450) 979-4373 Fax: (450) 979-4626 <a href="http://www.exmweb.com">www.exmweb.com</a>	Flatness Aplatissement	Max 3.0mm
		Projection	
Customer Client	Date	Date 18-Mar-16	
Drawn By Dessiné Par	BoxCad: BoxCad	Material Matière 12 Ga Cold Rolled A1008 CS Type B (2.5mm)	
Color Couleur	Asa-61 Grey	Finish Fini	Smooth
Description	5500UFD 60" x 49" x 18" Assembly		Detail Rev.
Part Number Numéro Pièce	<b>5500UFD604918</b>		Rev. 0

This drawing is confidential and must not be reproduced or used without the consent of EXM

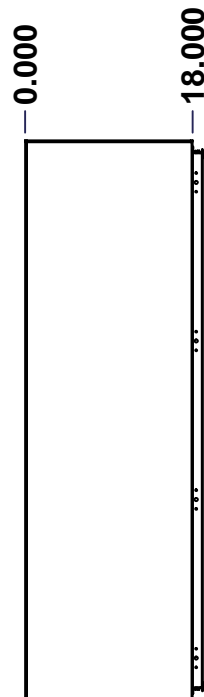
Ce dessin est confidentiel et ne doit pas être reproduit ou utilisé sans le consentement de EXM



TOP



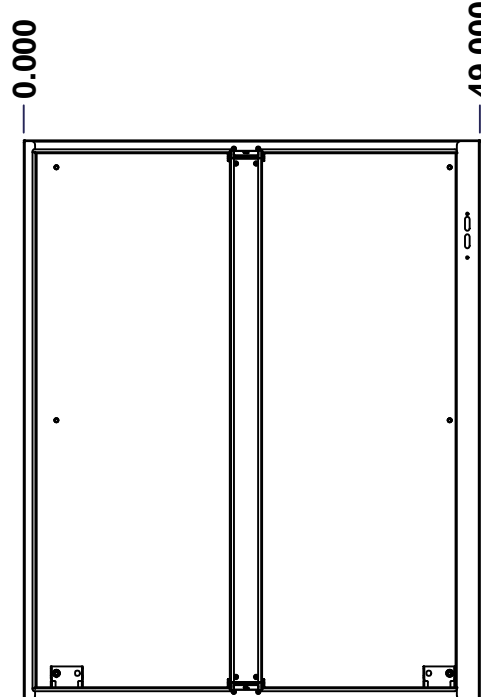
BACK



0.000

18.000

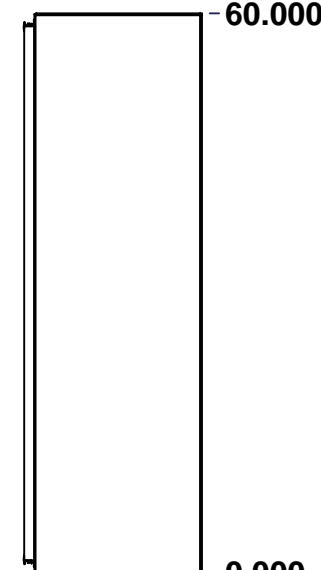
LEFT



0.000

49.000

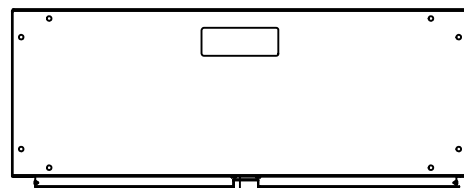
FRONT



60.000

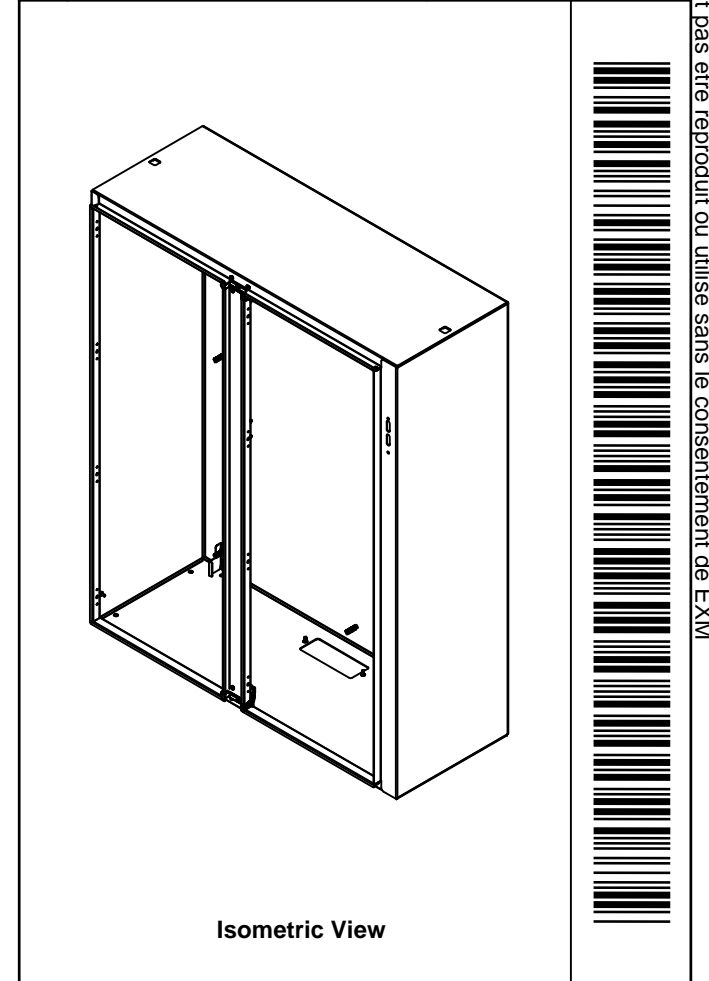
0.000

RIGHT




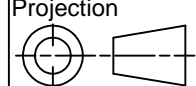
BOTTOM

No.	Revisions	Date	By/Par



Isometric View



 Tél: (450) 979-4373 Fax: (450) 979-4626 <a href="http://www.exmweb.com">www.exmweb.com</a>		Flatness Aplatissement Max 3.0mm Projection 
Customer Client	Date	Date
Drawn By Dessiné Par	BoxCad: BoxCad	18-Mar-16
Material Matière	12 Ga Cold Rolled A1008 CS Type B (2.5mm)	
Color Couleur	Asa-61 Grey	Finish Finis Smooth
Description	5500UFD 60" x 49" x 18" Body	
Part Number Numéro Pièce	Rev. 0	1 2

SEE BILL OF MATERIAL ON LAST PAGE

**5500UFD604918B**

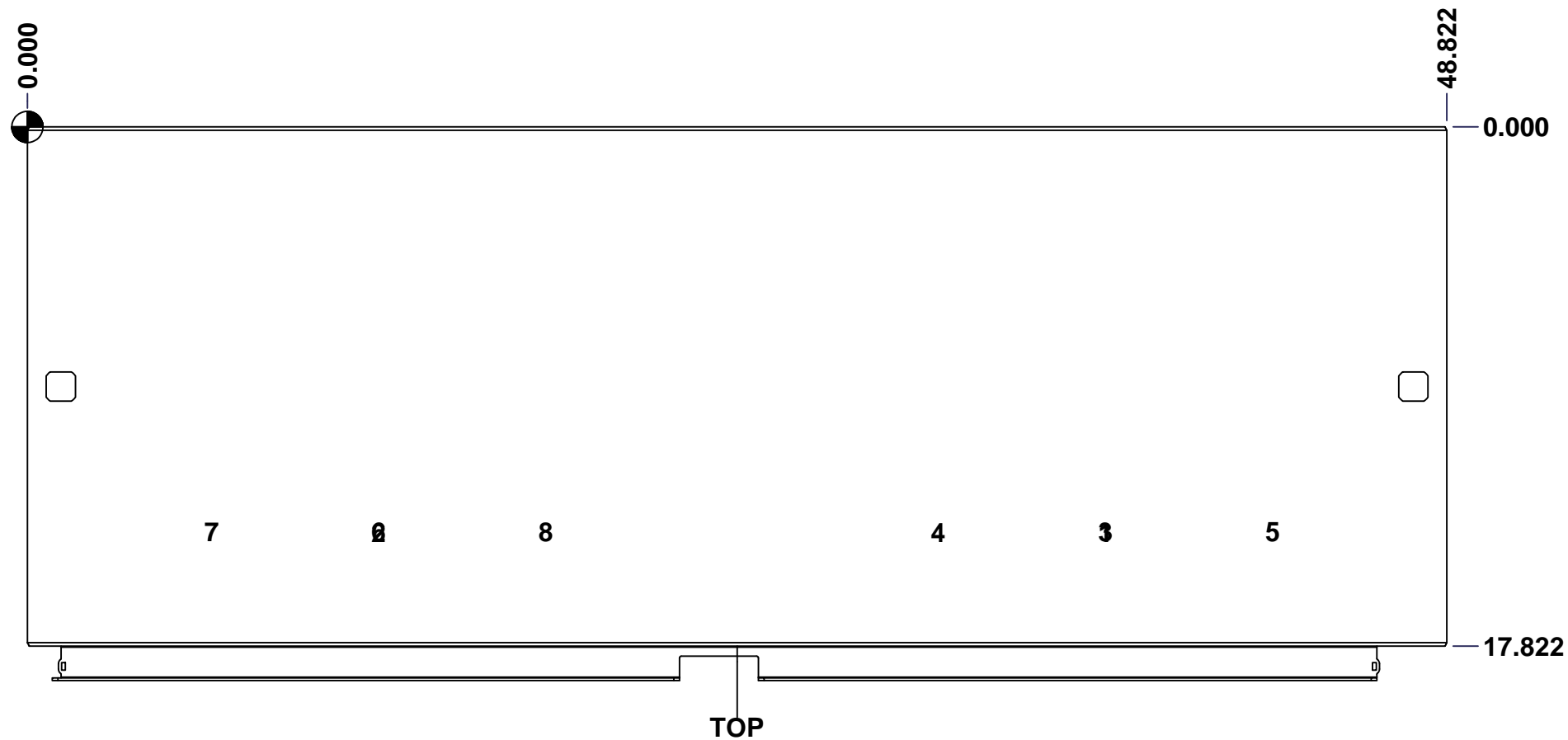
This drawing is confidential and must not be reproduced or used without the consent of EXM

Ce dessin est confidentiel et ne doit pas être reproduit ou utilisé sans le consentement de EXM

**STANDARD FEATURES ARE NOT LISTED IN THIS HOLE TABLE**

**HOLE TABLE - TOP VIEW (CUSTOM FEATURE ONLY)**

CUT-OUT	XDIM	YDIM	DESCRIPTION
1	36.911	13.911	Struts CR400 17.500" (Inside)
2	11.911	13.911	Struts CR400 17.500" (Inside)
3	36.911	13.911	STUDS M6 x 10mm (Inside)
4	31.161	13.911	STUDS M6 x 10mm (Inside)
5	42.661	13.911	STUDS M6 x 10mm (Inside)
6	11.911	13.911	STUDS M6 x 10mm (Inside)
7	6.161	13.911	STUDS M6 x 10mm (Inside)
8	17.661	13.911	STUDS M6 x 10mm (Inside)



	Description	Status
	5500UFD 60" x 49" x 18" Body	Released
	Part Number Numéro Pièce	Rev.
	<b>5500UFD604918B</b>	<b>0</b>
		2 / 7

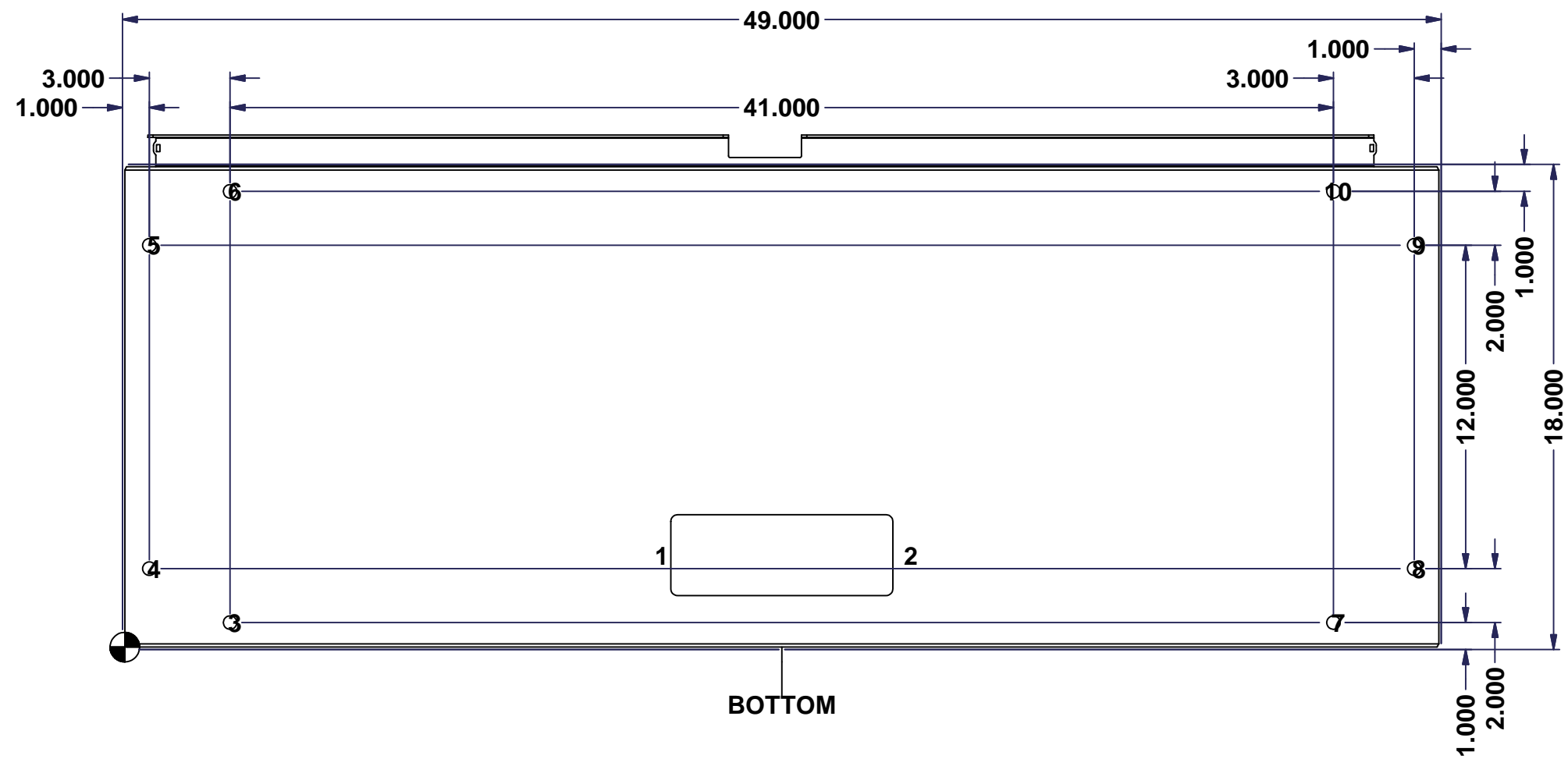
This drawing is confidential and must not be reproduced or used without the consent of EXM

Ce dessin est confidentiel et ne doit pas être reproduit ou utilisé sans le consentement de EXM

**STANDARD FEATURES ARE NOT LISTED IN THIS HOLE TABLE**

**HOLE TABLE - BOTTOM VIEW (CUSTOM FEATURE ONLY)**

CUT-OUT	XDIM	YDIM	DESCRIPTION
1	19.786	3.411	GP STUD M6 x 16mm (Inside)
2	29.036	3.411	GP STUD M6 x 16mm (Inside)
-----			
3	3.911	0.911	RND Ø0.500
4	0.911	2.911	RND Ø0.500
5	0.911	14.911	RND Ø0.500
6	3.911	16.911	RND Ø0.500
7	44.911	0.911	RND Ø0.500
8	47.911	2.911	RND Ø0.500
9	47.911	14.911	RND Ø0.500
10	44.911	16.911	RND Ø0.500



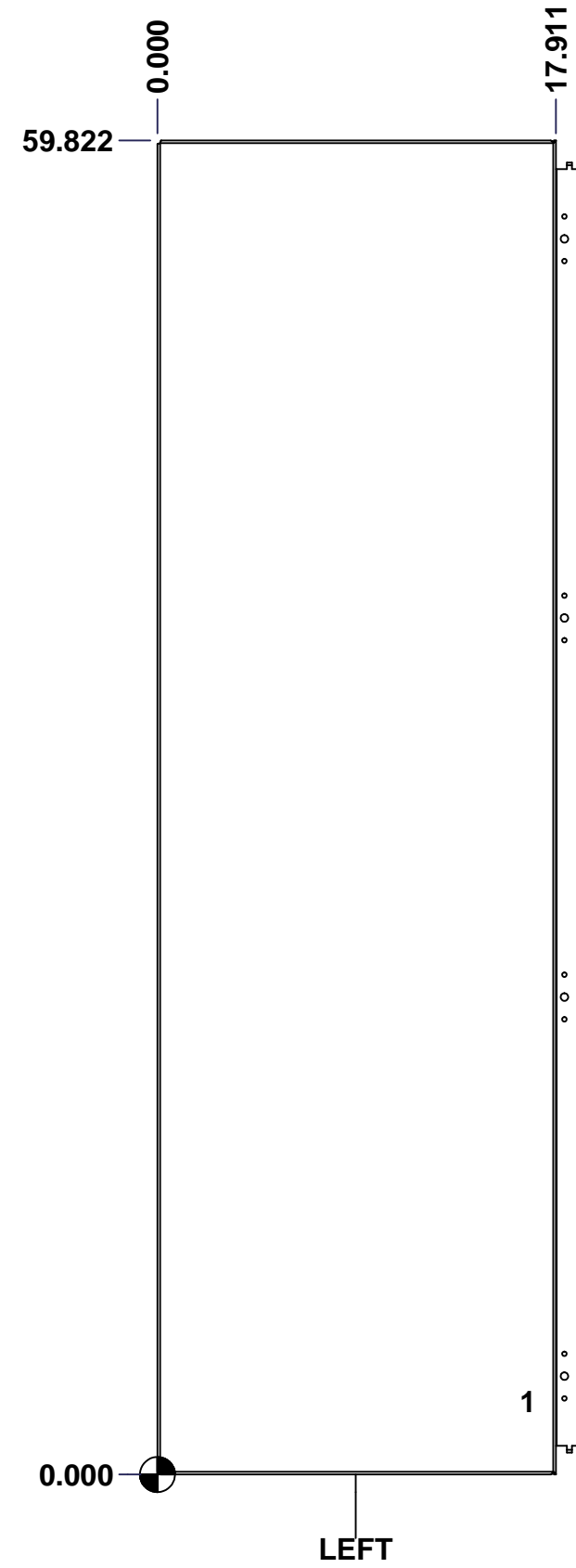
BOTTOM

	Description	Status
	5500UFD 60" x 49" x 18" Body	Released
	Part Number Numéro Pièce	Rev.
	<b>5500UFD604918B</b>	<b>0</b>
		4 / 7

This drawing is confidential and must not be reproduced or used without the consent of EXM

Ce dessin est confidentiel et ne doit pas être reproduit ou utilisé sans le consentement de EXM

<b>STANDARD FEATURES ARE NOT LISTED IN THIS HOLE TABLE</b>			
<b>HOLE TABLE - LEFT VIEW (CUSTOM FEATURE ONLY)</b>			
CUT-OUT	XDIM	YDIM	DESCRIPTION
1	16.411	3.286	GND STUD M6 x 16mm (Inside)



	Description	Status
	5500UFD 60" x 49" x 18" Body	Released
	Part Number Numéro Pièce	Rev.
	<b>5500UFD604918B</b>	<b>0</b>
		5 / 7

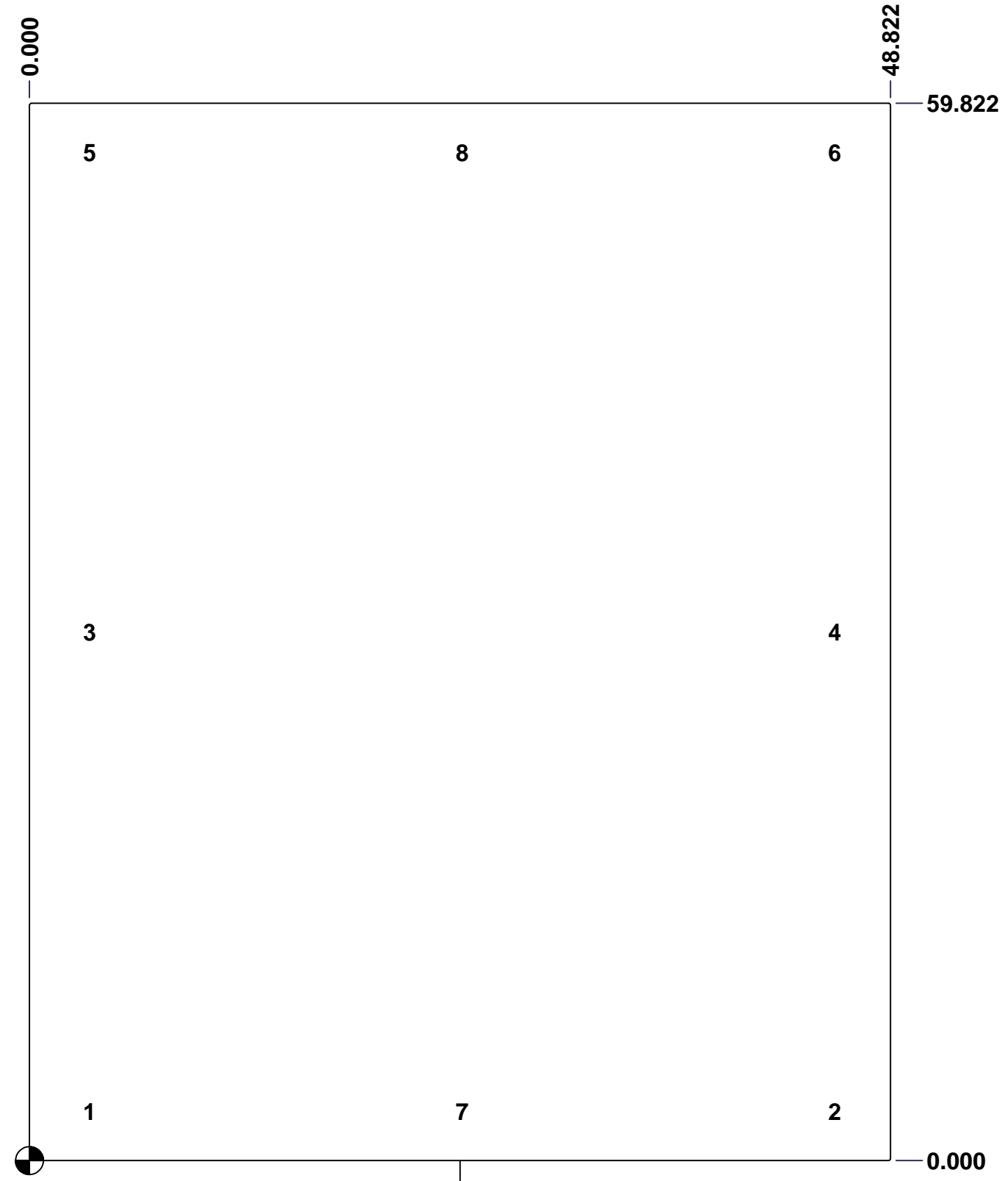
This drawing is confidential and must not be reproduced or used without the consent of EXM

Ce dessin est confidentiel et ne doit pas être reproduit ou utilisé sans le consentement de EXM

**STANDARD FEATURES ARE NOT LISTED IN THIS HOLE TABLE**

**HOLE TABLE - BACK VIEW (CUSTOM FEATURE ONLY)**

CUT-OUT	XDIM	YDIM	DESCRIPTION
1	3.161	2.786	IP STUD M10 x 40mm (Inside)
2	45.411	2.786	IP STUD M10 x 40mm (Inside)
3	3.161	29.911	IP STUD M10 x 40mm (Inside)
4	45.411	29.911	IP STUD M10 x 40mm (Inside)
5	3.161	57.036	IP STUD M10 x 40mm (Inside)
6	45.411	57.036	IP STUD M10 x 40mm (Inside)
7	24.286	2.786	IP STUD M10 x 40mm (Inside)
8	24.286	57.036	IP STUD M10 x 40mm (Inside)



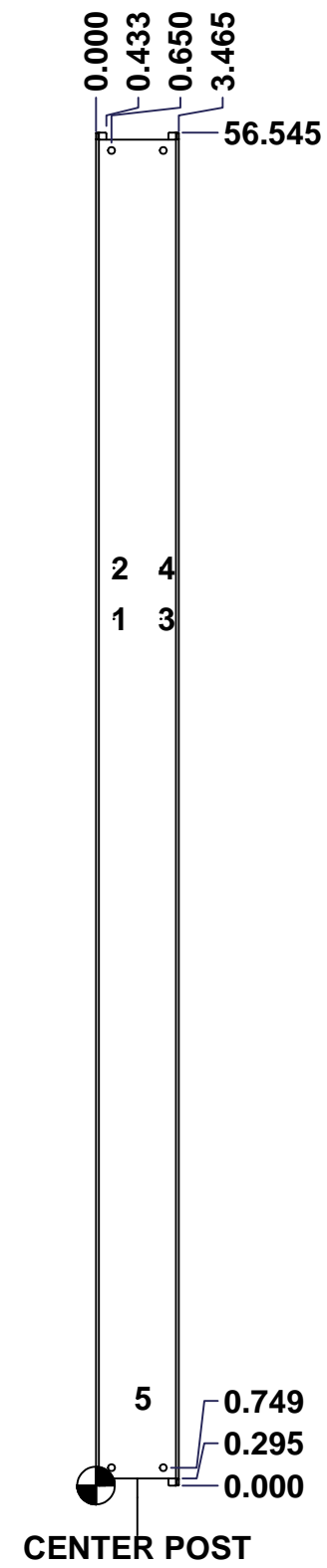
BACK

	Description	Status
	5500UFD 60" x 49" x 18" Body	Released
	Part Number Numéro Pièce	Rev.
	<b>5500UFD604918B</b>	<b>0</b>
		6 / 7

This drawing is confidential and must not be reproduced or used without the consent of EXM

Ce dessin est confidentiel et ne doit pas être reproduit ou utilisé sans le consentement de EXM

STANDARD FEATURES ARE NOT LISTED IN THIS HOLE TABLE			
HOLE TABLE - CENTER VIEW (CUSTOM FEATURE ONLY)			
CUT-OUT	XDIM	YDIM	DESCRIPTION
1	0.748	36.220	INTERLOCK STUD M6 x 16mm (Inside)
2	0.748	38.346	INTERLOCK STUD M6 x 16mm (Inside)
3	2.717	36.220	INTERLOCK STUD M6 x 16mm (Inside)
4	2.717	38.346	INTERLOCK STUD M6 x 16mm (Inside)
5	1.732	3.648	GND STUD M6 x 16mm (Inside)



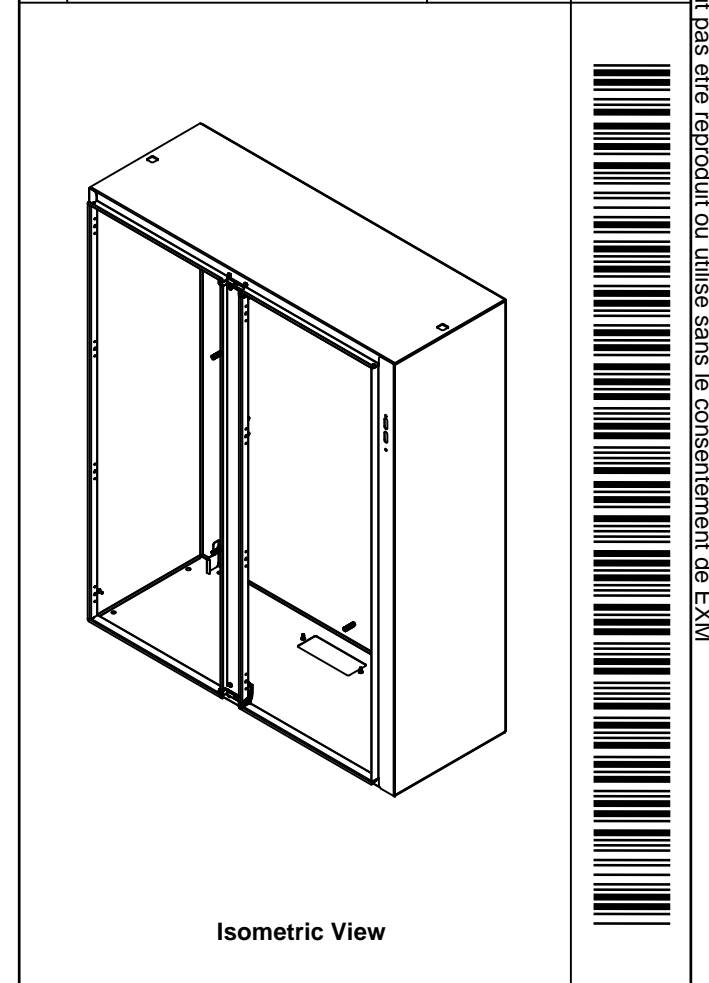
	Description	Status
	5500UFD 60" x 49" x 18" Body	Released
Part Number Numéro Pièce <b>5500UFD604918B</b>	Rev.	6
	<b>0</b>	7




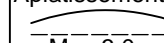
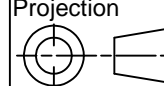
This drawing is confidential and must not be reproduced or used without the consent of EXM

Ce dessin est confidentiel et ne doit pas être reproduit ou utilisé sans le consentement de EXM

No.	Revisions	Date	By/Par

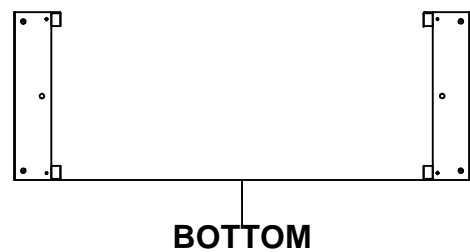
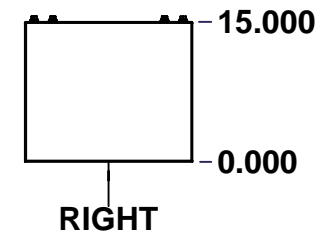
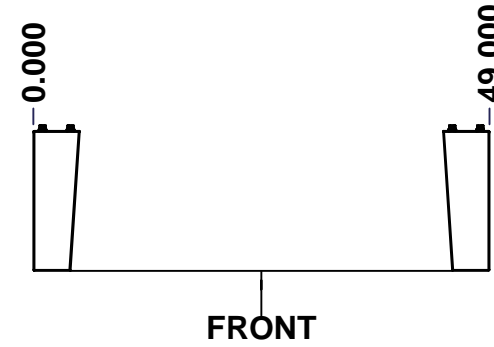
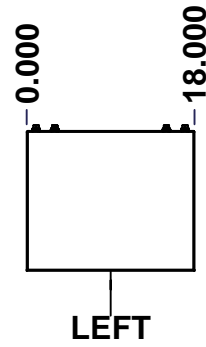
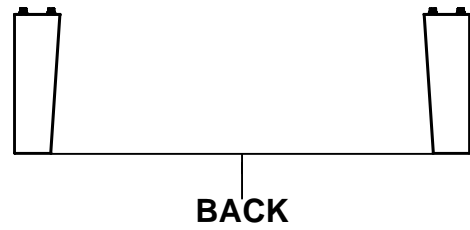
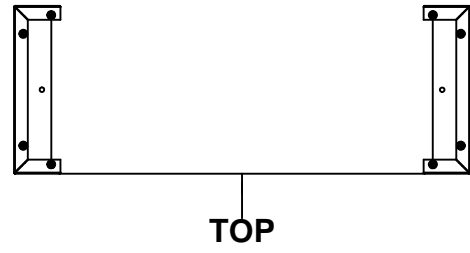


6	STK-Q-16030	0	Stud M6 x 10mm
6	STK-Q-07220	1	M6 Nylon Insert Lock Nut
1	STK-P-02400S	0	Powder Paint (Asa-61 Grey / Smooth)
4	STK-Q-16055	1	M6 x 18mm Stud (No Paint Cap Required)
1	STK-A-75454	3	Center Post - Sealing Block with Latch Assembly (Large)
1	5500UFD604918CP-P	0	5500UFD 60" Center Post Part
2	STK-Q-07320	0	Flange Lock Nut M10
2	STK-Q-07618	1	5500 Series Inner Panel Support Bracket
8	STK-Q-16100	0	Stud M10 x 40mm
1	5500UFD604918BT-P	0	5500UFD 49" x 18" Bottom Part
1	5500UFD604918T-P	0	5500UFD 49" x 18" Top Part
1	5500UFD604918RS-P	0	5500UFD 60" x 49" Right Part
1	5500UFD604918LS-P	0	5500UFD 60" x 49" Left Part
1	5500UFD604918B-P	0	5500UFD 60" x 49" Back Part
2	CR400MS_17.5	0	Commercial Roll Mild Steel (17.5in long)
4	STK-Q-16080	0	Ground Stud M6 x 16mm
Qty	Part Number	Rev	Description
Parts List			

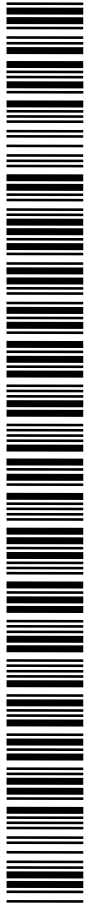
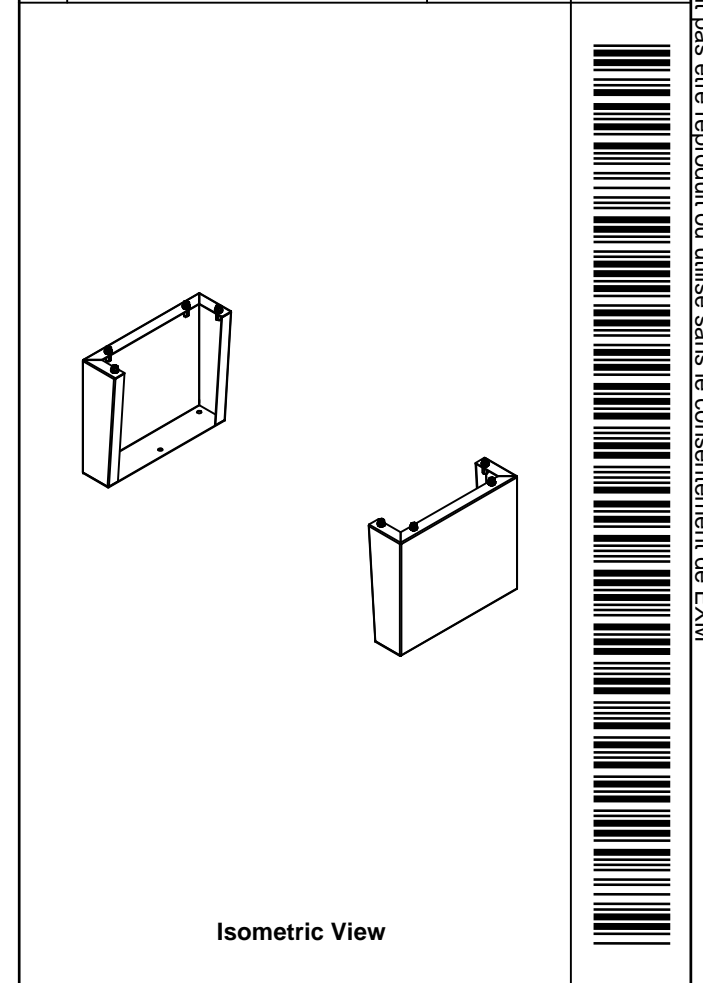
 Tél: (450) 979-4373 Fax: (450) 979-4626 <a href="http://www.exmweb.com">www.exmweb.com</a>	Flatness Aplatissement
	 Max 3.0mm Projection 
Customer Client	Date
Drawn By Dessiné Par BoxCad: BoxCad	Date 18-Mar-16
Material Matière 12 Ga Cold Rolled A1008 CS Type B (2.5mm)	
Color Couleur Asa-61 Grey	Finish Fini Smooth
Description 5500UFD 60" x 49" x 18" Body	Detail Rev.
Part Number Numéro Pièce <b>5500UFD604918B</b>	Rev. <b>0</b>
	2 2


This drawing is confidential and must not be reproduced or used without the consent of EXM

Ce dessin est confidentiel et ne doit pas être reproduit ou utilisé sans le consentement de EXM



No.	Revisions	Date	By/Par



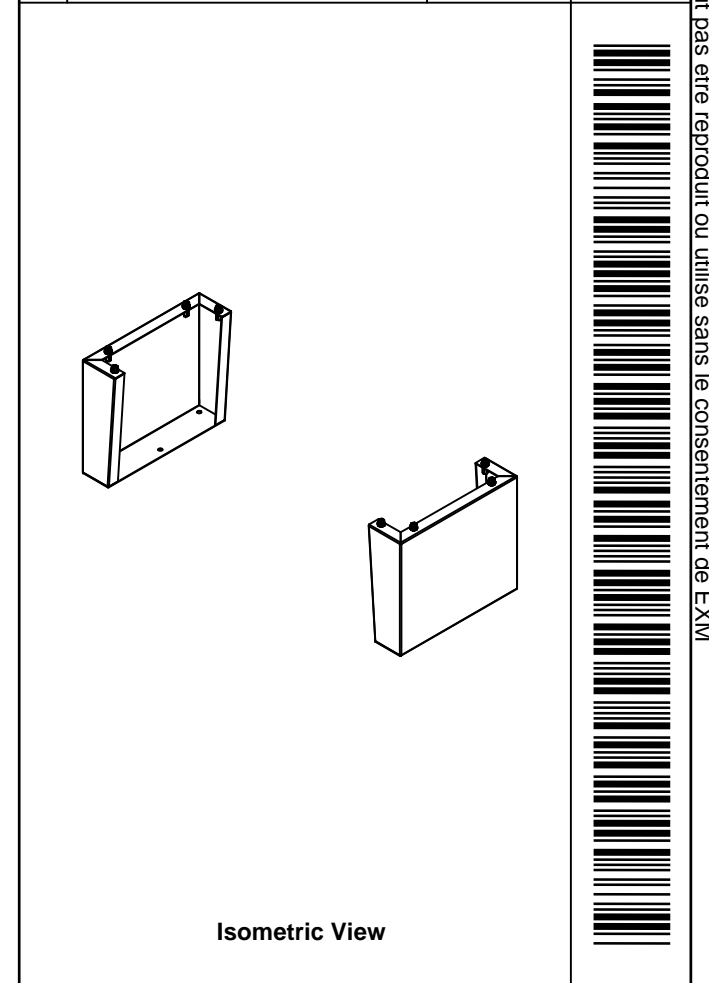
 Tél: (450) 979-4373 Fax: (450) 979-4626 <a href="http://www.exmweb.com">www.exmweb.com</a>		Flatness Aplatissement	
		Max 3.0mm	
Customer Client		Date	
Drawn By Dessiné Par BoxCad: BoxCad		Date 18-Mar-16	
Material Matière 12 Ga Cold Rolled A1008 CS Type B (2.5mm)			
Color Couleur Asa-61 Grey		Finish Fini Smooth	
Description 885 MFHD 15" x 18" Mounting Feet			Detail Rev.
Part Number Numéro Pièce <b>5500UFD604918MF</b>		Rev. <b>0</b>	1 / 4


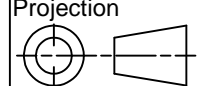
**SEE BILL OF MATERIAL ON LAST PAGE**

This drawing is confidential and must not be reproduced or used without the consent of EXM

Ce dessin est confidentiel et ne doit pas être reproduit ou utilisé sans le consentement de EXM

No.	Revisions	Date	By/Par



 Tél: (450) 979-4373 Fax: (450) 979-4626 <a href="http://www.exmweb.com">www.exmweb.com</a>		Flatness Aplatissement Max 3.0mm Projection 
Customer Client	Date	
Drawn By Dessiné Par	BoxCad: BoxCad	Date 18-Mar-16
Material Matière	12 Ga Cold Rolled A1008 CS Type B (2.5mm)	
Color Couleur	Asa-61 Grey	Finish Fini Smooth
Description		Detail Rev.
885 MFHD 15" x 18" Mounting Feet		
Part Number Numéro Pièce	Rev.	4
<b>5500UFD604918MF</b>	<b>0</b>	<b>4</b>

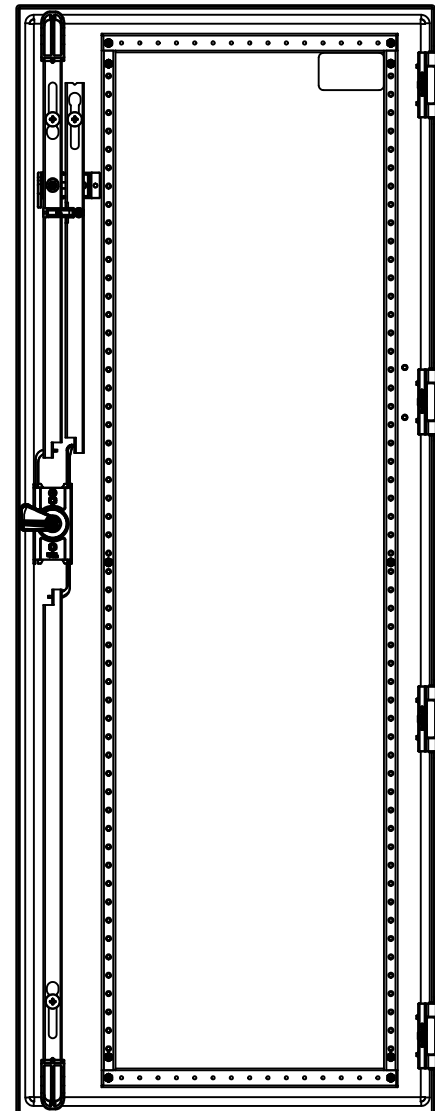
Qty	Part Name	Rev	Description
1	STK-P-02400S	0	Powder Paint (Asa-61 Grey / Smooth)
8	RIVET_NUT_M10_FH_CE	0	Rivet Nut M10 (Low Profile Close End)
1	5500UFD604918MFR-P	0	885 MFHD 15" x 18" Right Mounting Feet Part
1	5500UFD604918MFL-P	0	885 MFHD 15" x 18" Left Mounting Feet Part
1	STK-K-11600	2	885 MF Accessory Kit
Parts List			

This drawing is confidential and must not be reproduced or used without the consent of EXM

Ce dessin est confidentiel et ne doit pas être reproduit ou utilisé sans le consentement de EXM



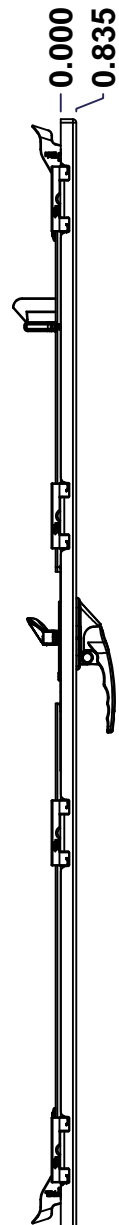
TOP



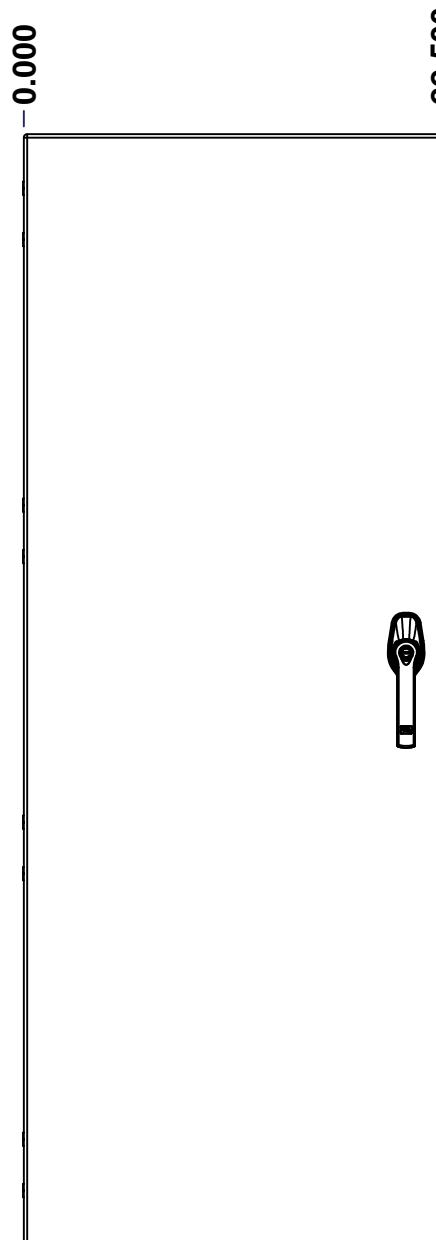
BACK



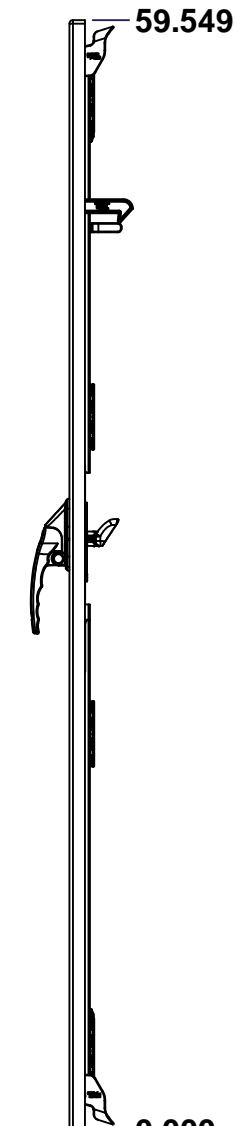
BOTTOM



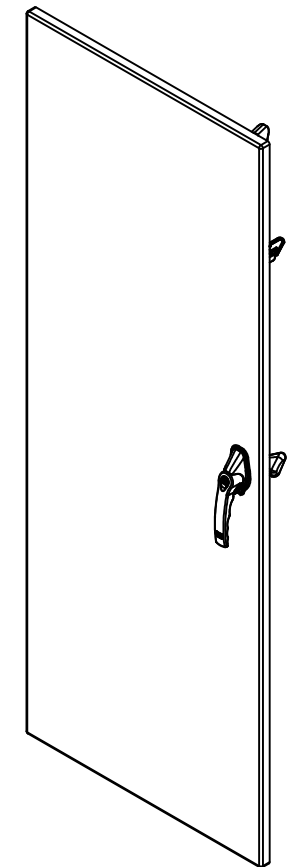
LEFT



FRONT




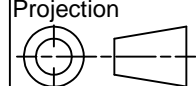
RIGHT



Isometric View



No.	Revisions	Date	By/Par

 Tél: (450) 979-4373 Fax: (450) 979-4626 <a href="http://www.exmweb.com">www.exmweb.com</a>		Flatness Aplatissement Max 3.0mm Projection 
Customer Client	Date	Date
Drawn By Dessiné Par	BoxCad: BoxCad	Date 18-Mar-16
Material Matière	12 Ga Cold Rolled A1008 CS Type B (2.5mm)	
Color Couleur	Asa-61 Grey	Finish Fini Smooth
Description	5500UFD 60" x 49" Lock Door	
Part Number Numéro Pièce	Rev. 0	1 / 3

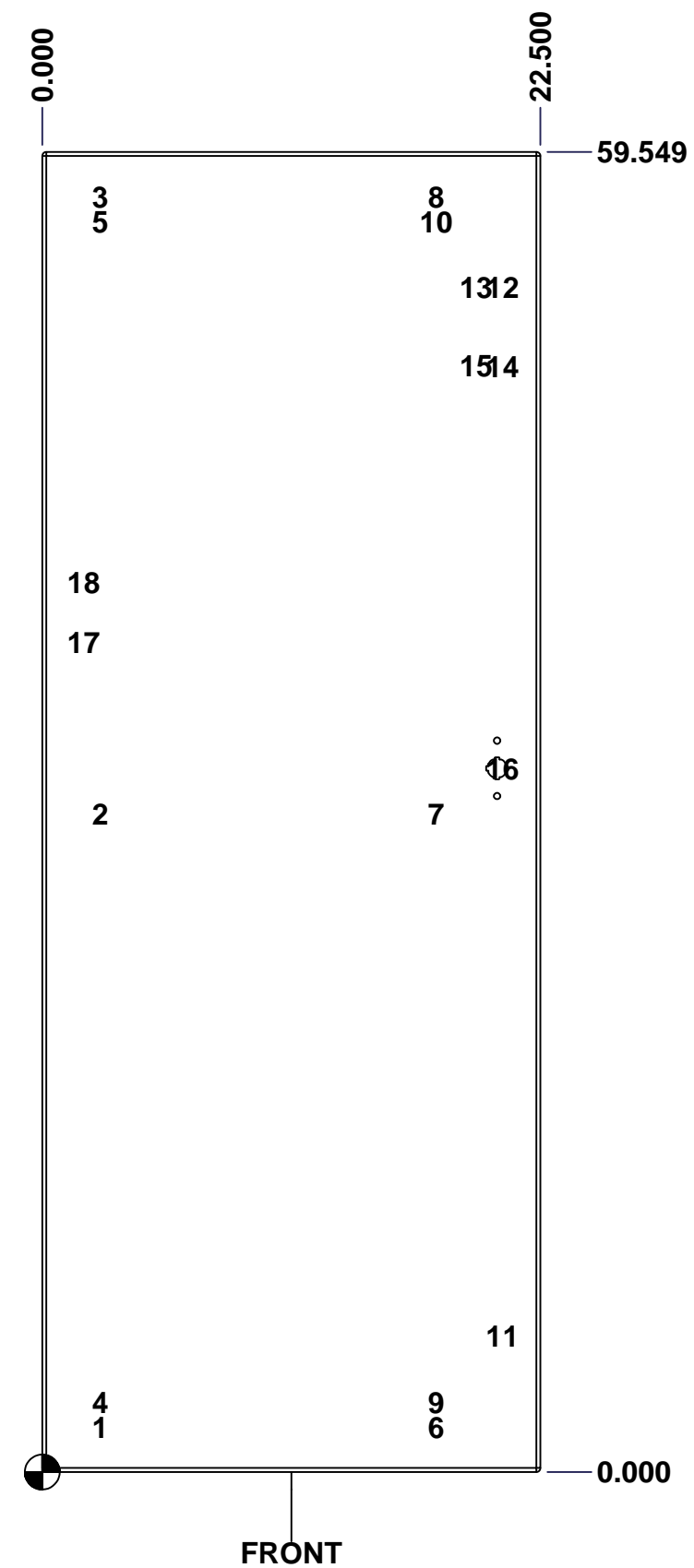
SEE BILL OF MATERIAL ON LAST PAGE

**5500UFD604918LD**

This drawing is confidential and must not be reproduced or used without the consent of EXM

Ce dessin est confidentiel et ne doit pas être reproduit ou utilisé sans le consentement de EXM

STANDARD FEATURES ARE NOT LISTED IN THIS HOLE TABLE			
HOLE TABLE - FRONT VIEW (CUSTOM FEATURE ONLY)			
CUT-OUT	XDIM	YDIM	DESCRIPTION
1	2.375	2.028	STUD M6 x 18mm (Inside)
2	2.375	29.675	STUD M6 x 18mm (Inside)
3	2.375	57.521	STUD M6 x 18mm (Inside)
4	2.375	3.139	STUD M6 x 18mm (Inside)
5	2.375	56.409	STUD M6 x 18mm (Inside)
6	17.544	2.028	STUD M6 x 18mm (Inside)
7	17.544	29.675	STUD M6 x 18mm (Inside)
8	17.544	57.521	STUD M6 x 18mm (Inside)
9	17.544	3.139	STUD M6 x 18mm (Inside)
10	17.544	56.409	STUD M6 x 18mm (Inside)
11	20.544	6.118	STUD M6 x 18mm (Inside)
12	20.544	53.430	STUD M6 x 18mm (Inside)
13	19.357	53.430	STUD M6 x 18mm (Inside)
14	20.544	49.886	STUD M6 x 18mm (Inside)
15	19.357	49.886	STUD M6 x 18mm (Inside)
-----			
16	20.544	31.743	HANDLE 885 ESL2A-APHD @ 0.0°
17	1.625	37.445	STUDS M6 x 18mm (Inside)
18	1.625	40.123	STUDS M6 x 18mm (Inside)

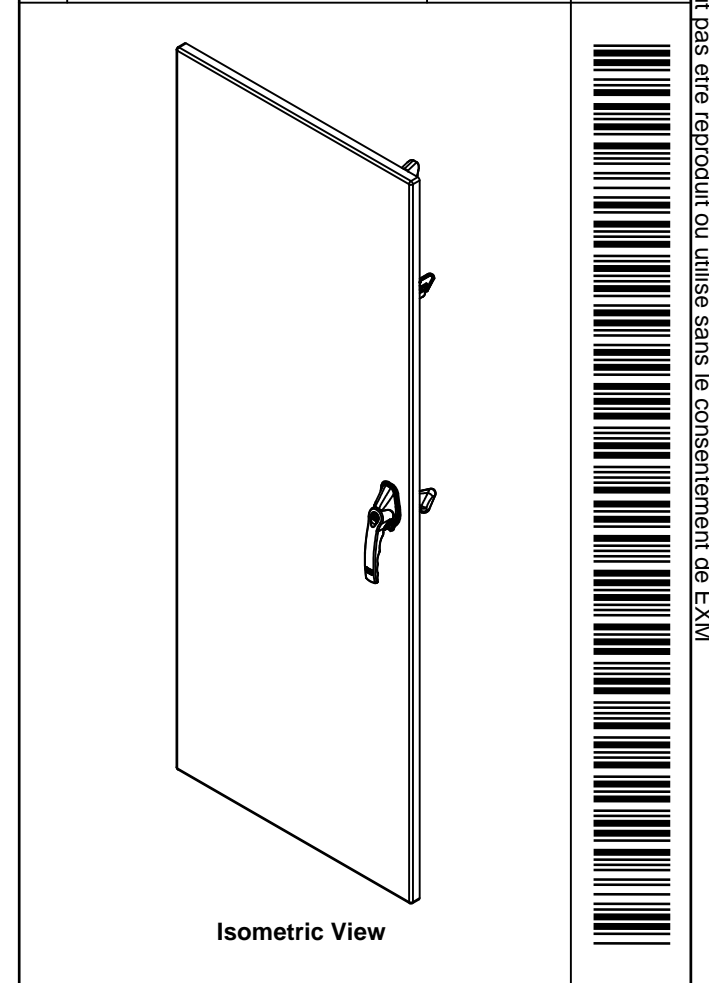


	Description	Status
	5500UFD 60" x 49" Lock Door	(NULL)
	Part Number	Rev.
	Numéro Pièce	2
	<b>5500UFD604918LD</b>	<b>0</b>
		3


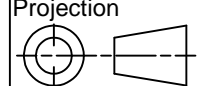
This drawing is confidential and must not be reproduced or used without the consent of EXM

Ce dessin est confidentiel et ne doit pas être reproduit ou utilisé sans le consentement de EXM

No.	Revisions	Date	By/Par

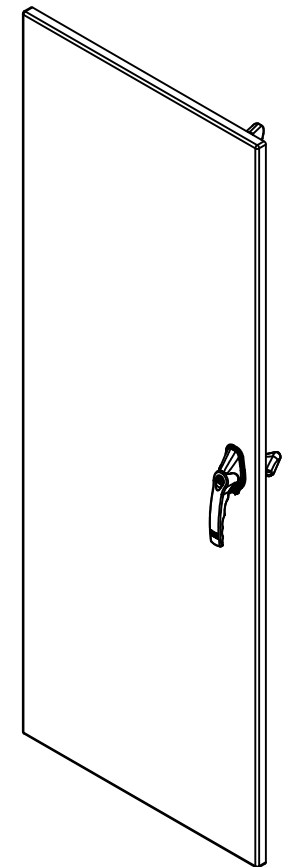
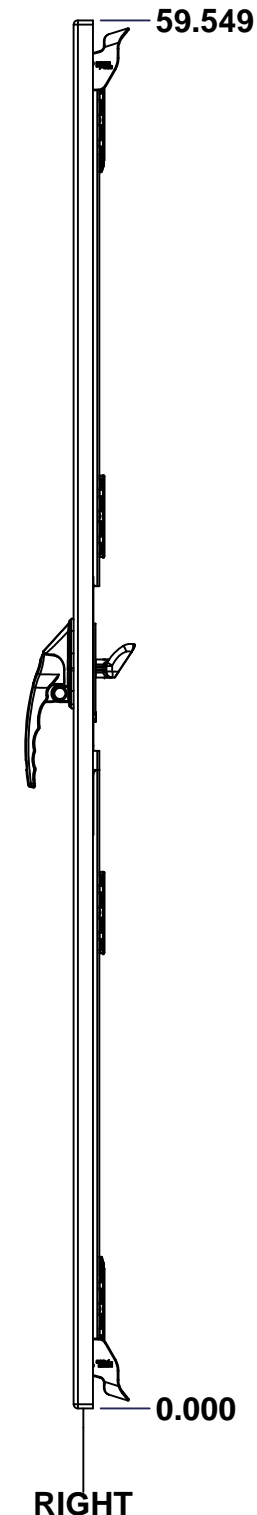
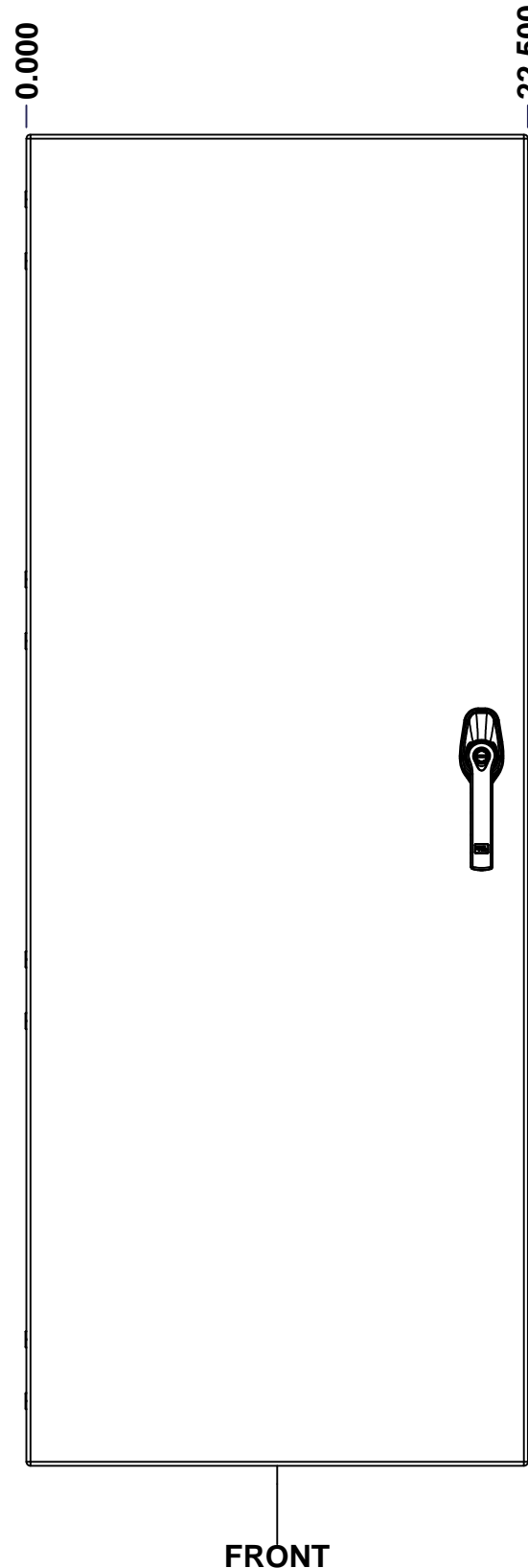
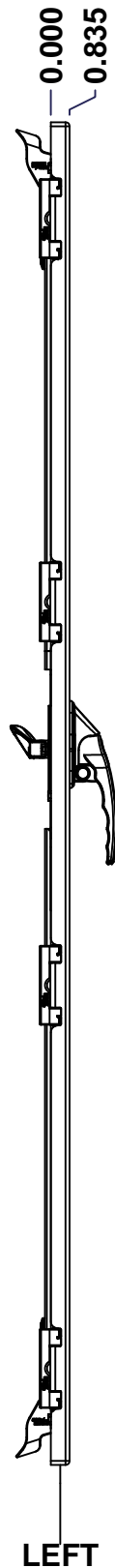
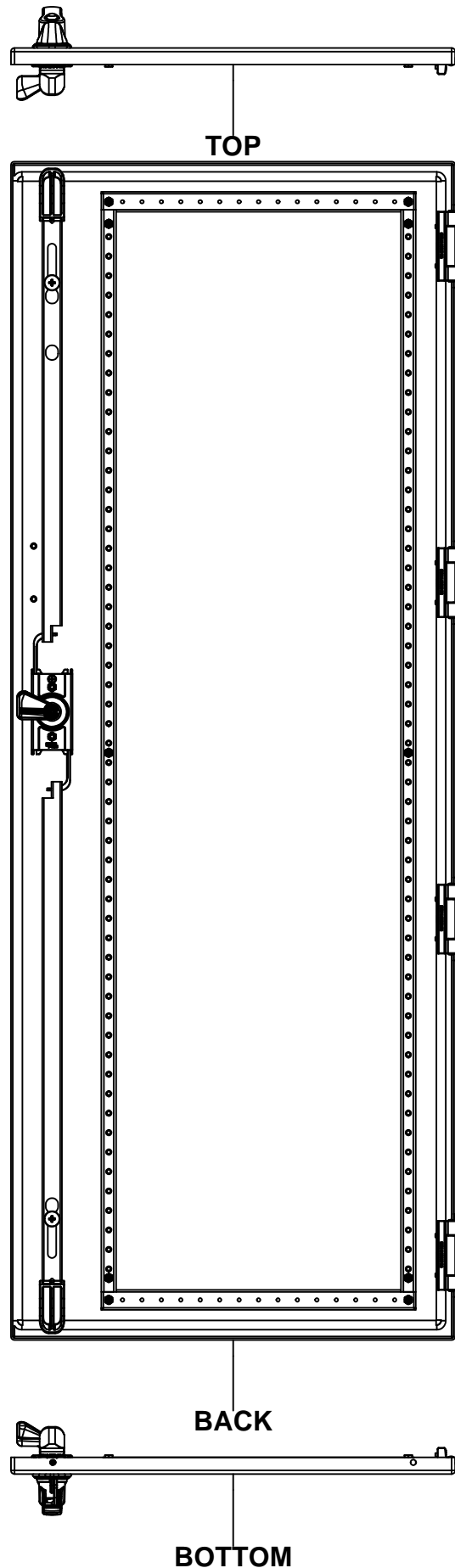


1	5500UFD604918DB_ESY	0	5500UFD 60" Disconnect Defeater Bar
1	5500UFD604918CB	0	5500UFD 60" Closing Bar
1	5500UFD604918CB_ESY	0	5500UFD 60" Disconnect Closing Bar
1	STK-K-03895-36	3	Gearbox Clockwise Assembly (Grip 36mm)
1	885ESL2A-APHD	0	885 ESL2A-APHD - Zinc Die Cast L-Handle Padlockable Assy - Slot Cylinder
1	STK-P-02400S	0	Powder Paint (Asa-61 Grey / Smooth)
1	STK-S-00100	0	3.5" x 2" Silver Milar Flexcon Sticker
1	STK-Q-07220	1	M6 Nylon Insert Lock Nut
1	STK-Q-13060	1	M6 Flat Washer
1	5500UFD604918LDG	0	5500UFD 60" x 49" Lock Door Gasket
1	STK-Q-46600	3	5500 ESY Disconnect Door Hook
1	5500UFD604918DS1	0	5500UFD 60" x 49" Door Stiffener
1	5500UFD604918LD-P	0	5500UFD 60" x 49" Lock Door Part
4	STK-K-09860	7	Cabinet Hinge with Captive Pins
17	STK-Q-16055	1	M6 x 18mm Stud (No Paint Cap Required)
Qty	Part Name	Rev	Description
Parts List			

 Tél: (450) 979-4373 Fax: (450) 979-4626 <a href="http://www.exmweb.com">www.exmweb.com</a>		Flatness Aplatissement
		Max 3.0mm
Customer Client		Date
Drawn By Dessiné Par BoxCad: BoxCad		Date 18-Mar-16
Material Matière 12 Ga Cold Rolled A1008 CS Type B (2.5mm)		Projection 
Color Couleur Asa-61 Grey	Finish Fini Smooth	
Description 5500UFD 60" x 49" Lock Door		Detail Rev.
Part Number Numéro Pièce <b>5500UFD604918LD</b>		Rev. 3
		<b>0</b> 3

This drawing is confidential and must not be reproduced or used without the consent of EXM

Ce dessin est confidentiel et ne doit pas être reproduit ou utilisé sans le consentement de EXM



Isometric View

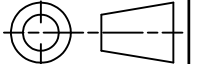


Tél: (450) 979-4373  
 Fax: (450) 979-4626  
[www.exmweb.com](http://www.exmweb.com)

Flatness  
Aplatissement

Max 3.0mm

Projection



Customer Client	Date
Drawn By / Dessiné Par: BoxCad: BoxCad	Date: 18-Mar-16
Material / Matière: 12 Ga Cold Rolled A1008 CS Type B (2.5mm)	

Color / Couleur: Asa-61 Grey	Finish / Fini: Smooth
------------------------------	-----------------------

Description: 5500UFD 60" x 49" Lock Door	Detail Rev.
--	-------------

Part Number / Numéro Pièce: 5500UFD604918FD	Rev. 0	1 / 3
---	--------	-------

SEE BILL OF MATERIAL ON LAST PAGE

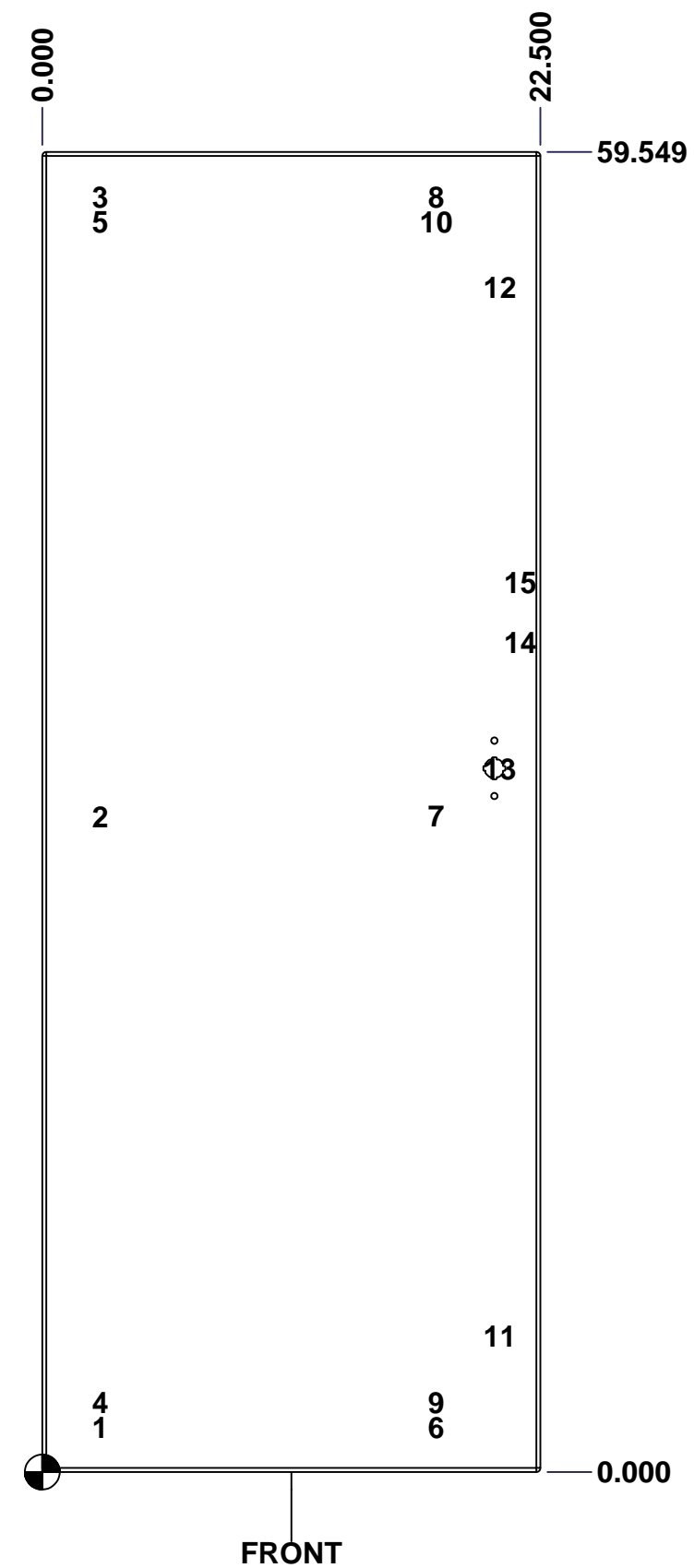
This drawing is confidential and must not be reproduced or used without the consent of EXM

Ce dessin est confidentiel et ne doit pas être reproduit ou utilisé sans le consentement de EXM

**STANDARD FEATURES ARE NOT LISTED IN THIS HOLE TABLE**

**HOLE TABLE - FRONT VIEW (CUSTOM FEATURE ONLY)**

CUT-OUT	XDIM	YDIM	DESCRIPTION
1	2.375	2.028	STUD M6 x 18mm (Inside)
2	2.375	29.581	STUD M6 x 18mm (Inside)
3	2.375	57.521	STUD M6 x 18mm (Inside)
4	2.375	3.139	STUD M6 x 18mm (Inside)
5	2.375	56.409	STUD M6 x 18mm (Inside)
6	17.544	2.028	STUD M6 x 18mm (Inside)
7	17.544	29.581	STUD M6 x 18mm (Inside)
8	17.544	57.521	STUD M6 x 18mm (Inside)
9	17.544	3.139	STUD M6 x 18mm (Inside)
10	17.544	56.409	STUD M6 x 18mm (Inside)
11	20.419	6.118	CLOSING BAR GUIDE (Inside)
12	20.419	53.430	CLOSING BAR GUIDE (Inside)
-----			
13	20.419	31.743	HANDLE 885 ESL2A-APHD @ 0.0°
14	21.347	37.445	STUDS M6 x 18mm (Inside)
15	21.347	40.123	STUDS M6 x 18mm (Inside)



FRONT

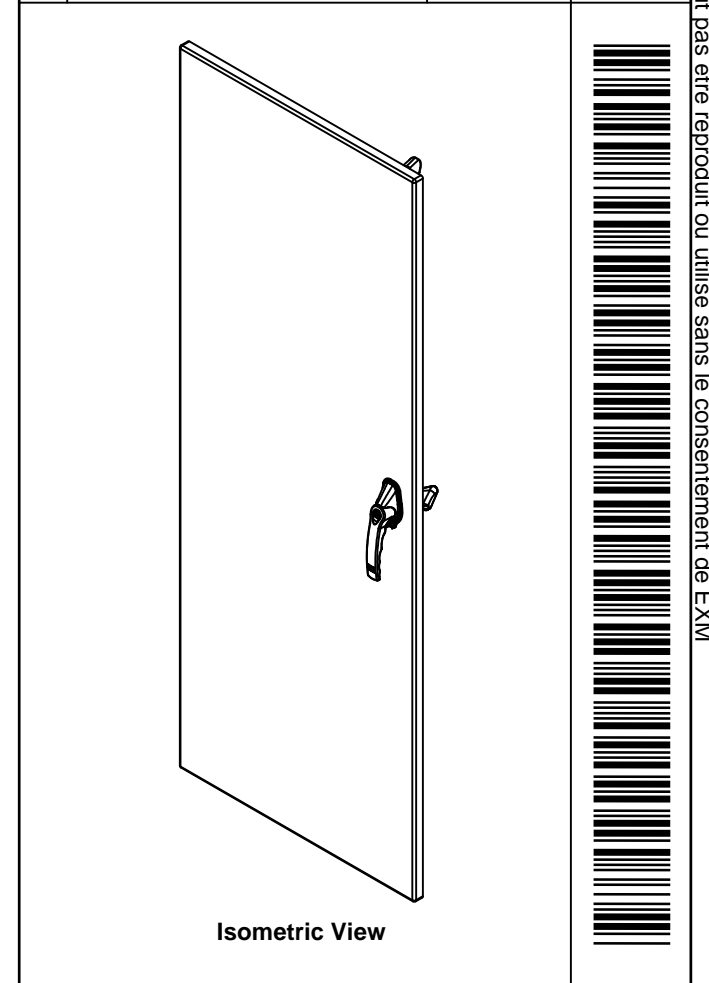
	Description	Status
	5500UFD 60" x 49" Lock Door	(NULL)
	Part Number Numéro Pièce	Rev.
	<b>5500UFD604918FD</b>	<b>0</b>
		2
		3




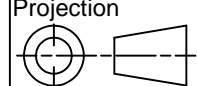
This drawing is confidential and must not be reproduced or used without the consent of EXM

Ce dessin est confidentiel et ne doit pas être reproduit ou utilisé sans le consentement de EXM

No.	Revisions	Date	By/Par



Qty	Part Name	Rev	Description
1	5500UFD604918CB	0	5500UFD 60" Closing Bar
1	5500UFD604918CB2ESY	0	5500UFD 60" Disconnect Closing Bar
1	STK-A-03880-36	12	Gearbox Clockwise Assembly (Grip 36mm)
1	885ESL2A-APHD	0	885 ESL2A-APHD - Zinc Die Cast L-Handle Padlockable Assy - Slot Cylinder
1	5500UFD604918FDG	0	5500UFD 60" x 49" Flange Door Gasket
1	STK-P-02400S	0	Powder Paint (Asa-61 Grey / Smooth)
1	5500UFD604918DS1	0	5500UFD 60" x 49" Door Stiffener
1	5500UFD604918FD-P	0	5500UFD 60" x 49" Lock Door Part
4	STK-K-09860	7	Cabinet Hinge with Captive Pins
14	STK-Q-16055	1	M6 x 18mm Stud (No Paint Cap Required)
Parts List			

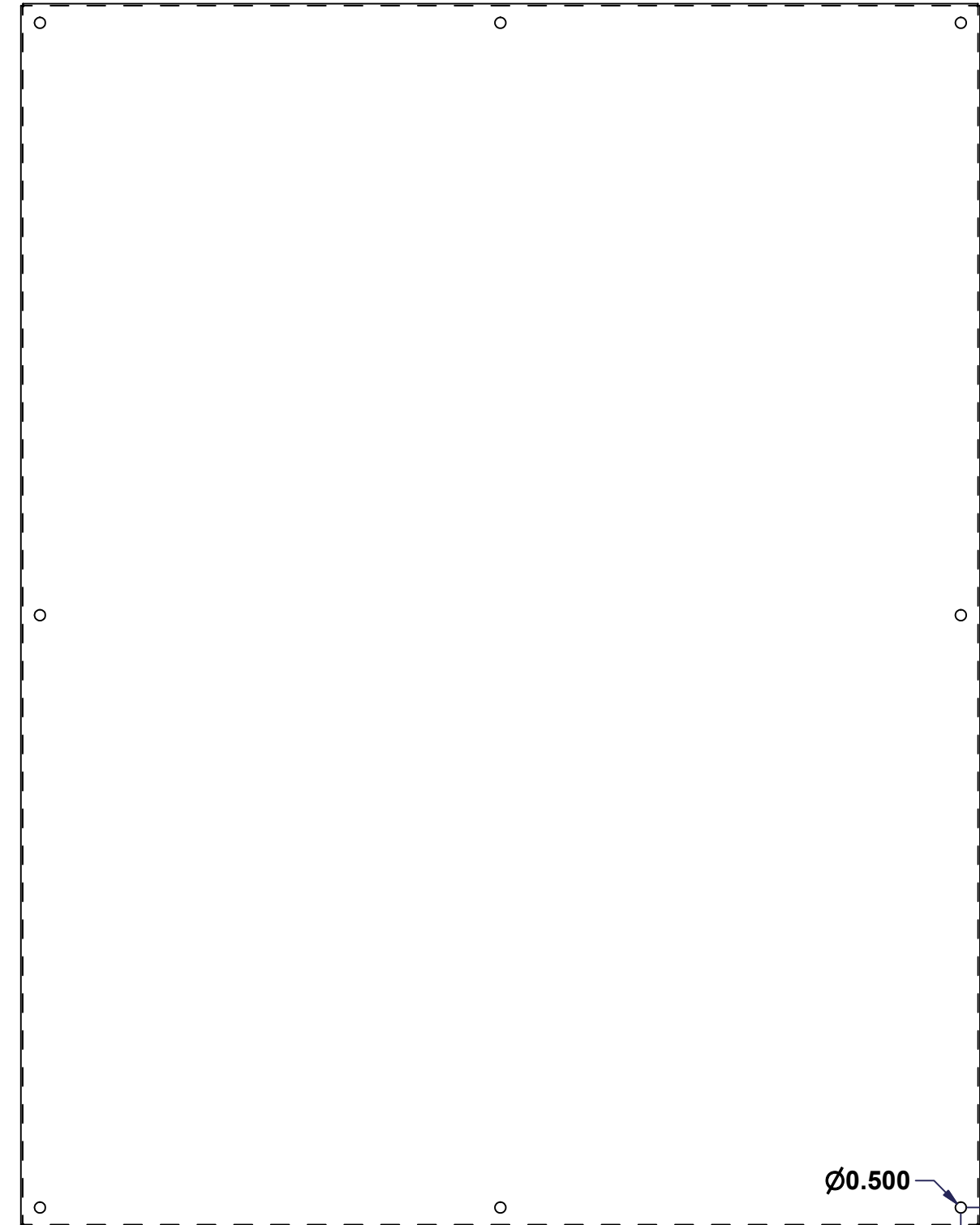
 Tél: (450) 979-4373 Fax: (450) 979-4626 <a href="http://www.exmweb.com">www.exmweb.com</a>		Flatness Aplatissement Max 3.0mm Projection 
Customer Client	Date	Date
Drawn By Dessiné Par	BoxCad: BoxCad	18-Mar-16
Material Matière	12 Ga Cold Rolled A1008 CS Type B (2.5mm)	
Color Couleur	Asa-61 Grey	Finish Fini: Smooth
Description	5500UFD 60" x 49" Lock Door	
Part Number Numéro Pièce	Rev. 0	3 / 3

This drawing is confidential and must not be reproduced or used without the consent of EXM

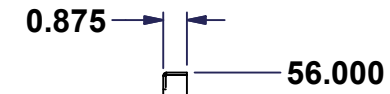
Ce dessin est confidentiel et ne doit pas être reproduit ou utilisé sans le consentement de EXM



TOP



FRONT



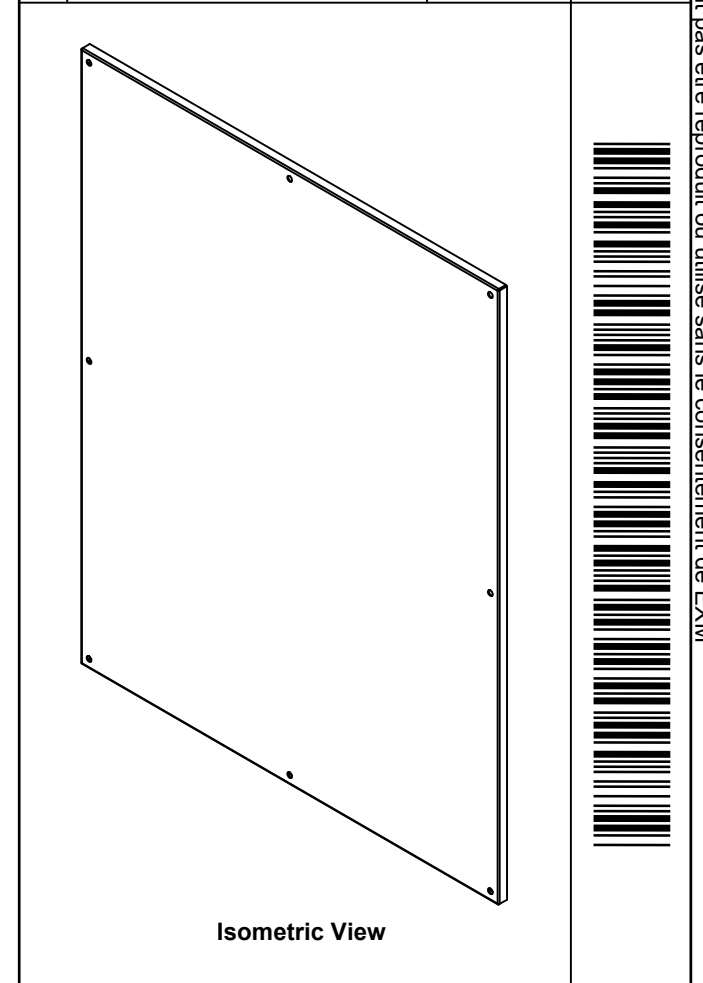
56.000

0.000

RIGHT

SEE BILL OF MATERIAL ON LAST PAGE

No.	Revisions	Date	By/Par



Isometric View

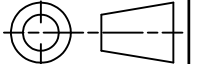


Tél: (450) 979-4373  
 Fax: (450) 979-4626  
 www.exmweb.com

Flatness  
Aplatissement

Max 3.0mm

Projection



Customer Client	Date
Drawn By Dessiné Par BoxCad	Date 04/11/2009
Material Matière	12 Ga Galvanized (2.5mm)

Color Couleur Unpainted	Finish Fini Unpainted
----------------------------	--------------------------

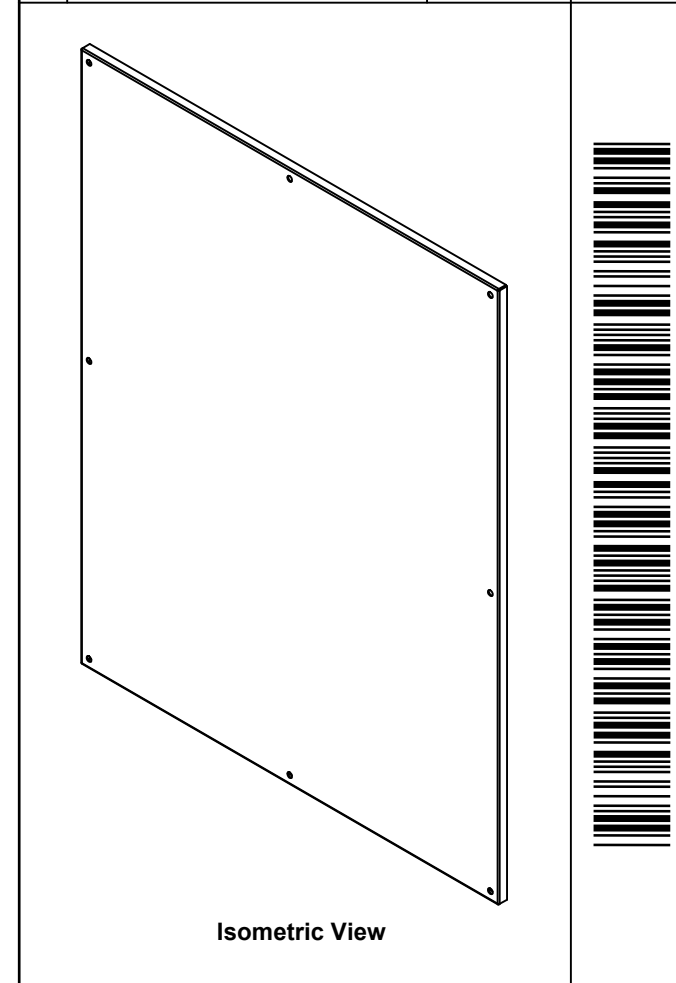
Description	Detail Rev.
885 SP6048G Inner Panel	


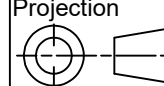
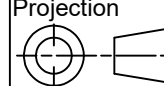
Part Number Numéro Pièce	Rev.	1
<b>885SP6048G</b>	<b>0</b>	2

This drawing is confidential and must not be reproduced or used without the consent of EXM

Ce dessin est confidentiel et ne doit pas être reproduit ou utilisé sans le consentement de EXM

No.	Revisions	Date	By/Par



 Tél: (450) 979-4373 Fax: (450) 979-4626 www.exmweb.com		Flatness Aplatissement  Max 3.0mm
Customer Client		Projection 
Drawn By Dessiné Par BoxCad		Date 04/11/2009
Material Matière 12 Ga Galvanized (2.5mm)		
Color Couleur Unpainted	Finish Fini Unpainted	
Description 885 SP6048G Inner Panel		Detail Rev.
Part Number Numéro Pièce <b>885SP6048G</b>		Rev. <b>0</b> / 2

Qty	Part Number	Rev	Description
1	885SP6048G-P	0	885 SP6048G Inner Panel Part
Parts List			