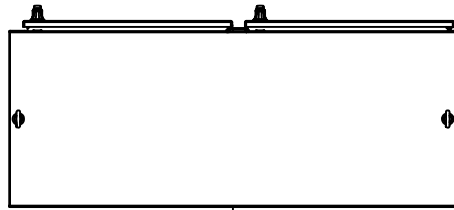
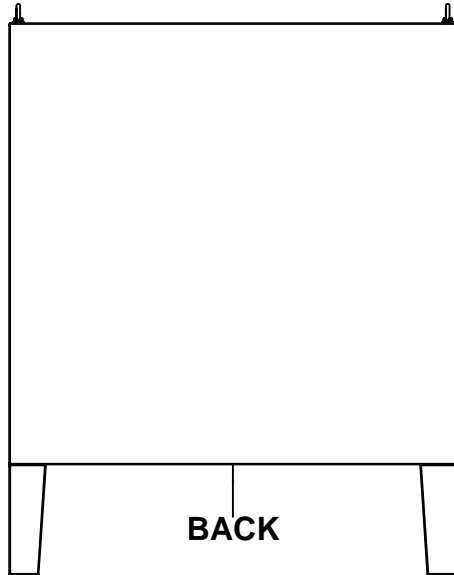


This drawing is confidential and must not be reproduced or used without the consent of EXM

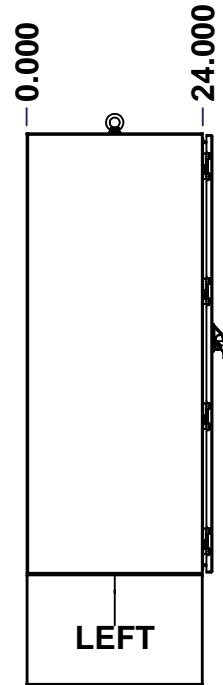
Ce dessin est confidentiel et ne doit pas être reproduit ou utilisé sans le consentement de EXM



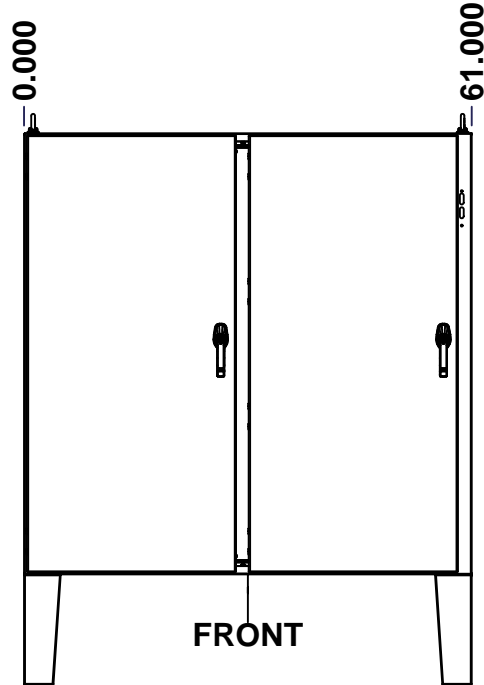
TOP



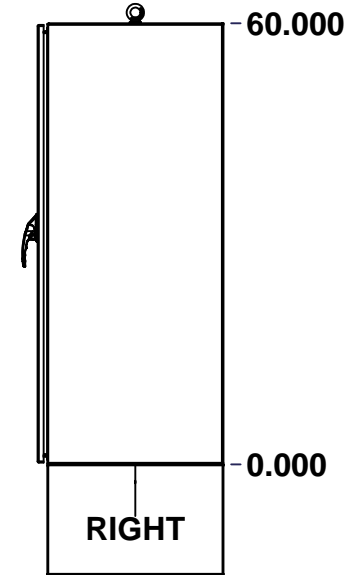
BACK



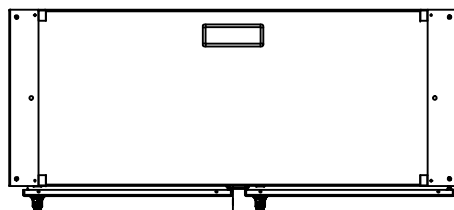
LEFT



FRONT

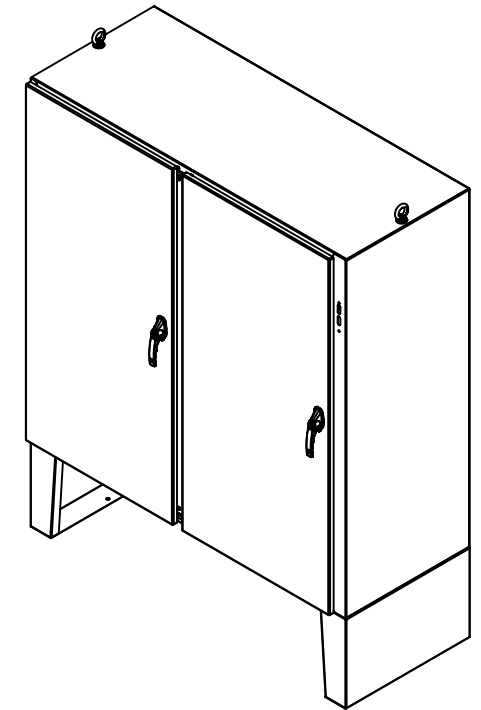


RIGHT



BOTTOM

No.	Revisions	Date	By/Par



Isometric View

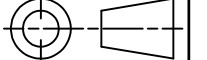


Tél: (450) 979-4373
 Fax: (450) 979-4626
www.exmweb.com

Flatness
Aplatissement

Max 3.0mm

Projection



Customer Client	Date
Drawn By / Dessiné Par: BoxCad: BoxCad	Date: 18-Mar-16

Material / Matière: 12 Ga Cold Rolled A1008 CS Type B (2.5mm)

Color / Couleur: Asa-61 Grey Finish / Fini: Smooth

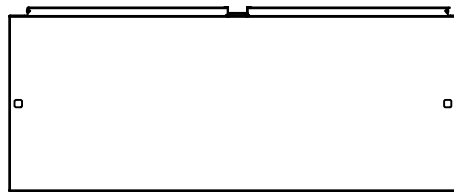
Description: 5500UFD 60" x 61" x 24" Assembly Detail Rev.

Part Number / Numéro Pièce: 5500UFD606124	Rev. 0	1	2
---	--------	---	---

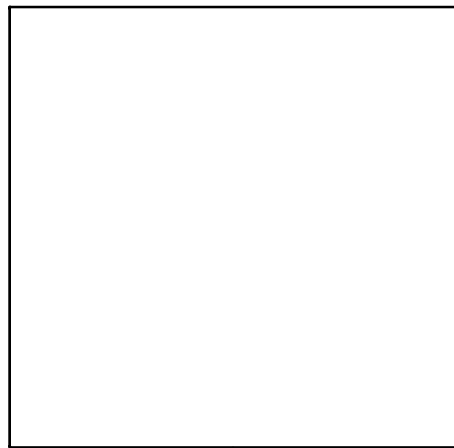
SEE BILL OF MATERIAL ON LAST PAGE

This drawing is confidential and must not be reproduced or used without the consent of EXM

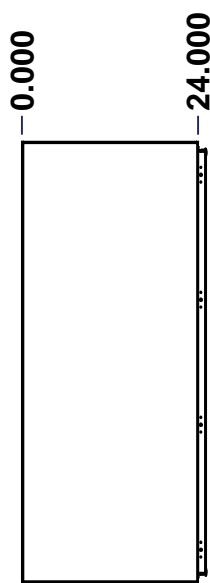
Ce dessin est confidentiel et ne doit pas être reproduit ou utilisé sans le consentement de EXM



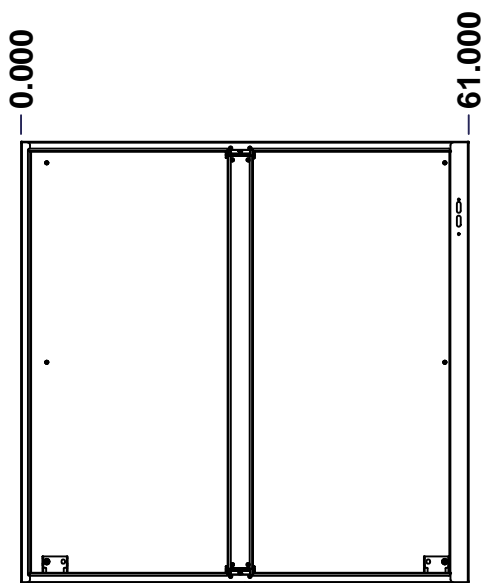
TOP



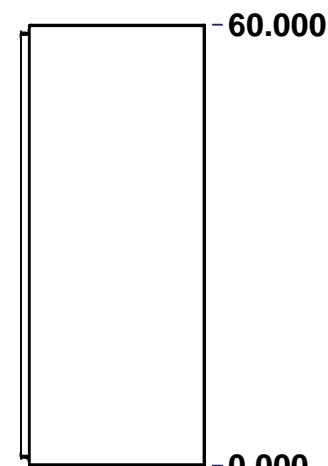
BACK



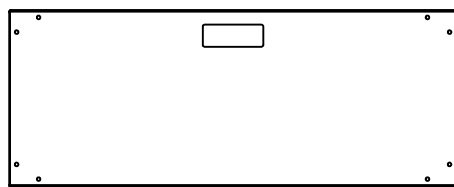
LEFT



FRONT

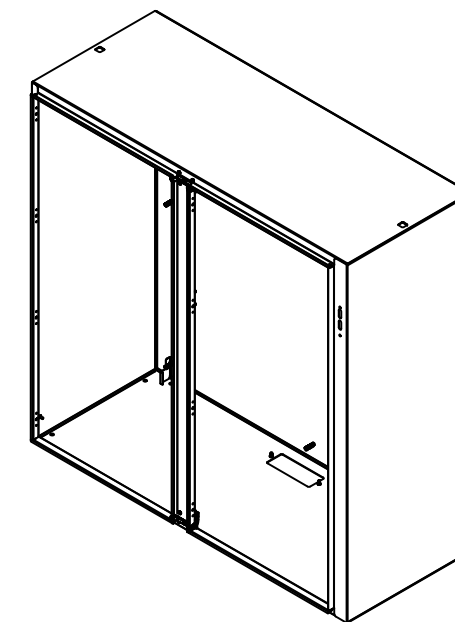


RIGHT



BOTTOM

No.	Revisions	Date	By/Par



Isometric View

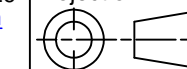


Tél: (450) 979-4373
 Fax: (450) 979-4626
www.exmweb.com

Flatness
Aplatissement

Max 3.0mm

Projection



Customer Client	Date
Drawn By Dessiné Par	Date 18-Mar-16

Material
Matière 12 Ga Cold Rolled A1008 CS Type B (2.5mm)

Color Couleur	Asa-61 Grey	Finish Fini	Smooth
------------------	-------------	----------------	--------

Description	Detail Rev.
5500UFD 60" x 61" x 24" Body	

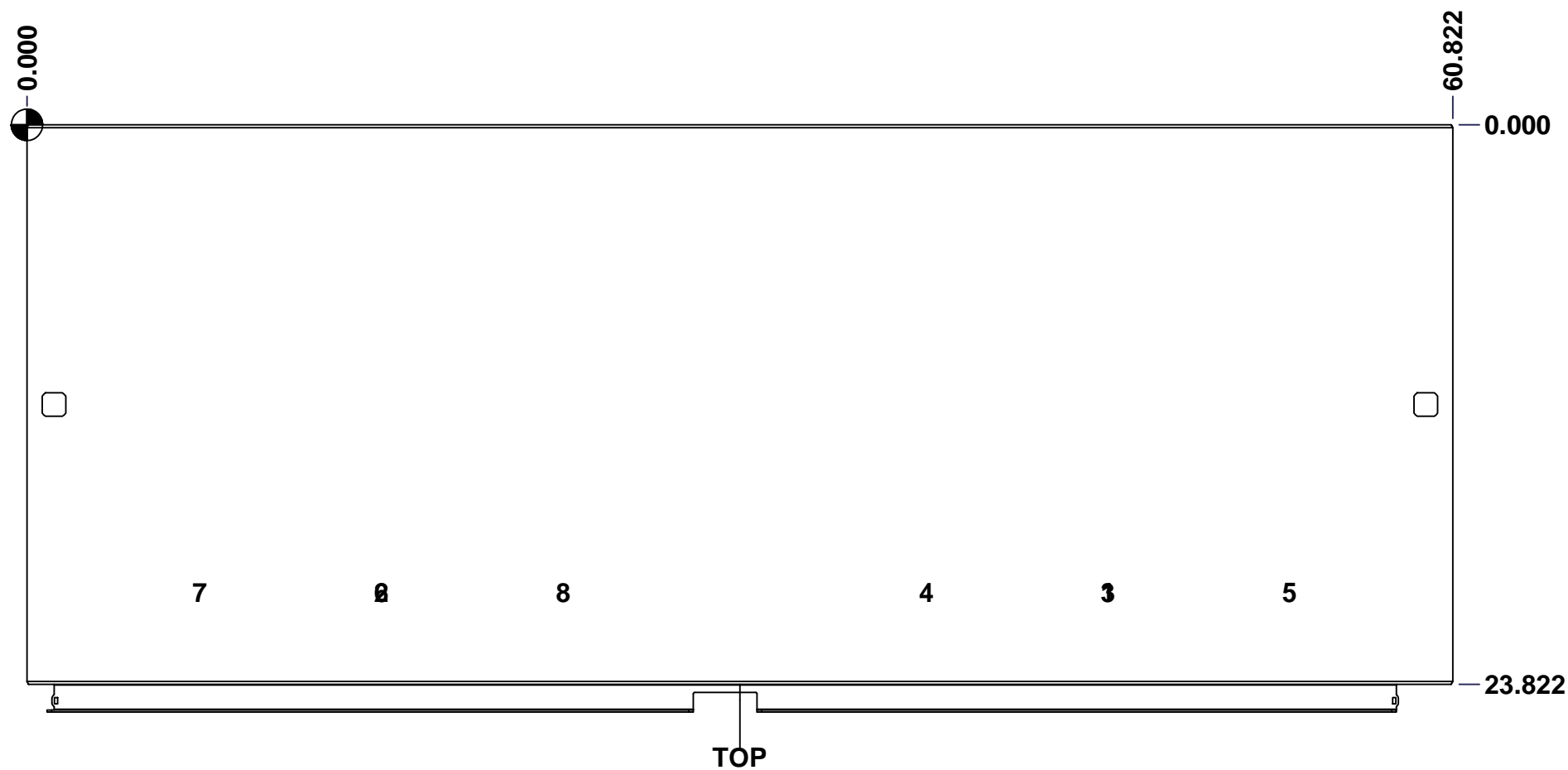
Part Number Numéro Pièce	Rev.	1
5500UFD606124B	0	2

SEE BILL OF MATERIAL ON LAST PAGE

This drawing is confidential and must not be reproduced or used without the consent of EXM

Ce dessin est confidentiel et ne doit pas être reproduit ou utilisé sans le consentement de EXM

STANDARD FEATURES ARE NOT LISTED IN THIS HOLE TABLE			
HOLE TABLE - TOP VIEW (CUSTOM FEATURE ONLY)			
CUT-OUT	XDIM	YDIM	DESCRIPTION
1	45.911	19.911	Struts CR400 21.500" (Inside)
2	14.911	19.911	Struts CR400 21.500" (Inside)
3	45.911	19.911	STUDS M6 x 10mm (Inside)
4	38.161	19.911	STUDS M6 x 10mm (Inside)
5	53.661	19.911	STUDS M6 x 10mm (Inside)
6	14.911	19.911	STUDS M6 x 10mm (Inside)
7	7.161	19.911	STUDS M6 x 10mm (Inside)
8	22.661	19.911	STUDS M6 x 10mm (Inside)



	Description	Status	
	5500UFD 60" x 61" x 24" Body	Released	
	Part Number Numéro Pièce	Rev.	
	5500UFD606124B	0	2 / 7

This drawing is confidential and must not be reproduced or used without the consent of EXM

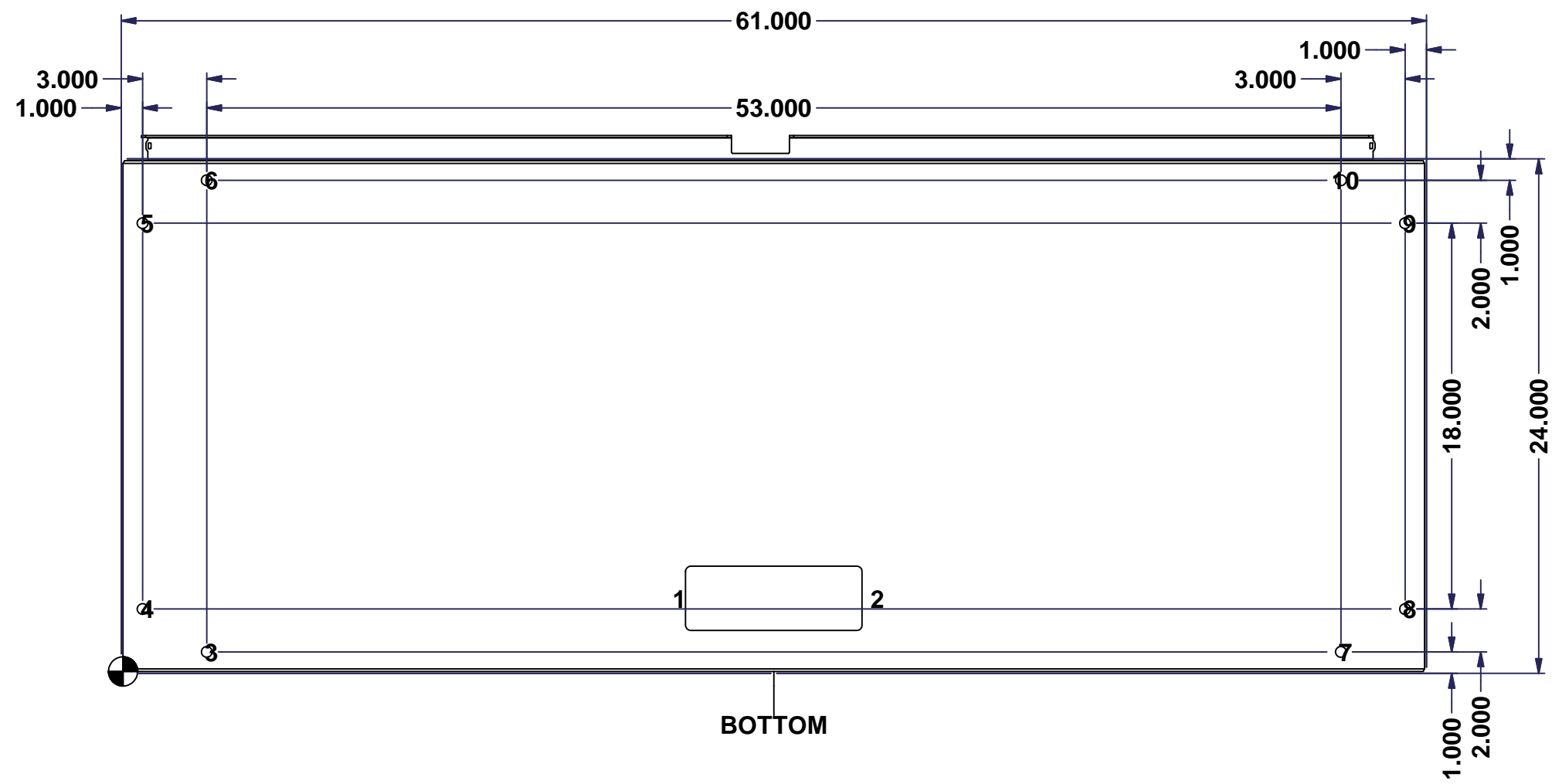
Ce dessin est confidentiel et ne doit pas être reproduit ou utilisé sans le consentement de EXM

STANDARD FEATURES ARE NOT LISTED IN THIS HOLE TABLE

HOLE TABLE - BOTTOM VIEW (CUSTOM FEATURE ONLY)

CUT-OUT	XDIM	YDIM	DESCRIPTION
1	25.786	3.411	GP STUD M6 x 16mm (Inside)
2	35.036	3.411	GP STUD M6 x 16mm (Inside)

3	3.911	0.911	RND Ø0.500
4	0.911	2.911	RND Ø0.500
5	0.911	20.911	RND Ø0.500
6	3.911	22.911	RND Ø0.500
7	56.911	0.911	RND Ø0.500
8	59.911	2.911	RND Ø0.500
9	59.911	20.911	RND Ø0.500
10	56.911	22.911	RND Ø0.500

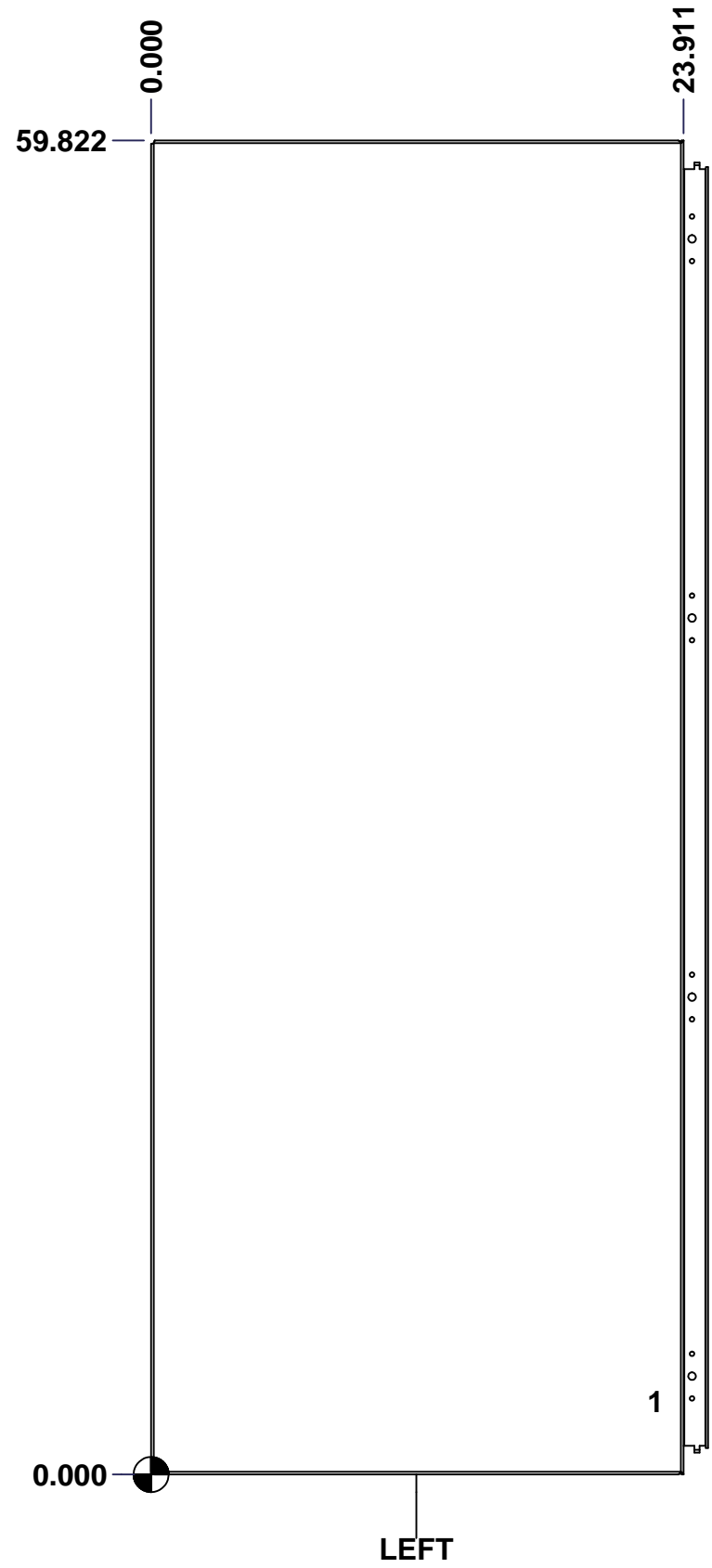


	Description		Status	
	5500UFD 60" x 61" x 24" Body		Released	
Part Number Numéro Pièce		Rev.	4	
5500UFD606124B		0	7	

This drawing is confidential and must not be reproduced or used without the consent of EXM

Ce dessin est confidentiel et ne doit pas être reproduit ou utilisé sans le consentement de EXM

STANDARD FEATURES ARE NOT LISTED IN THIS HOLE TABLE			
HOLE TABLE - LEFT VIEW (CUSTOM FEATURE ONLY)			
CUT-OUT	XDIM	YDIM	DESCRIPTION
1	22.411	3.286	GND STUD M6 x 16mm (Inside)



	Description	Status
	5500UFD 60" x 61" x 24" Body	Released
	Part Number Numéro Pièce	Rev.
	5500UFD606124B	0
		5 / 7

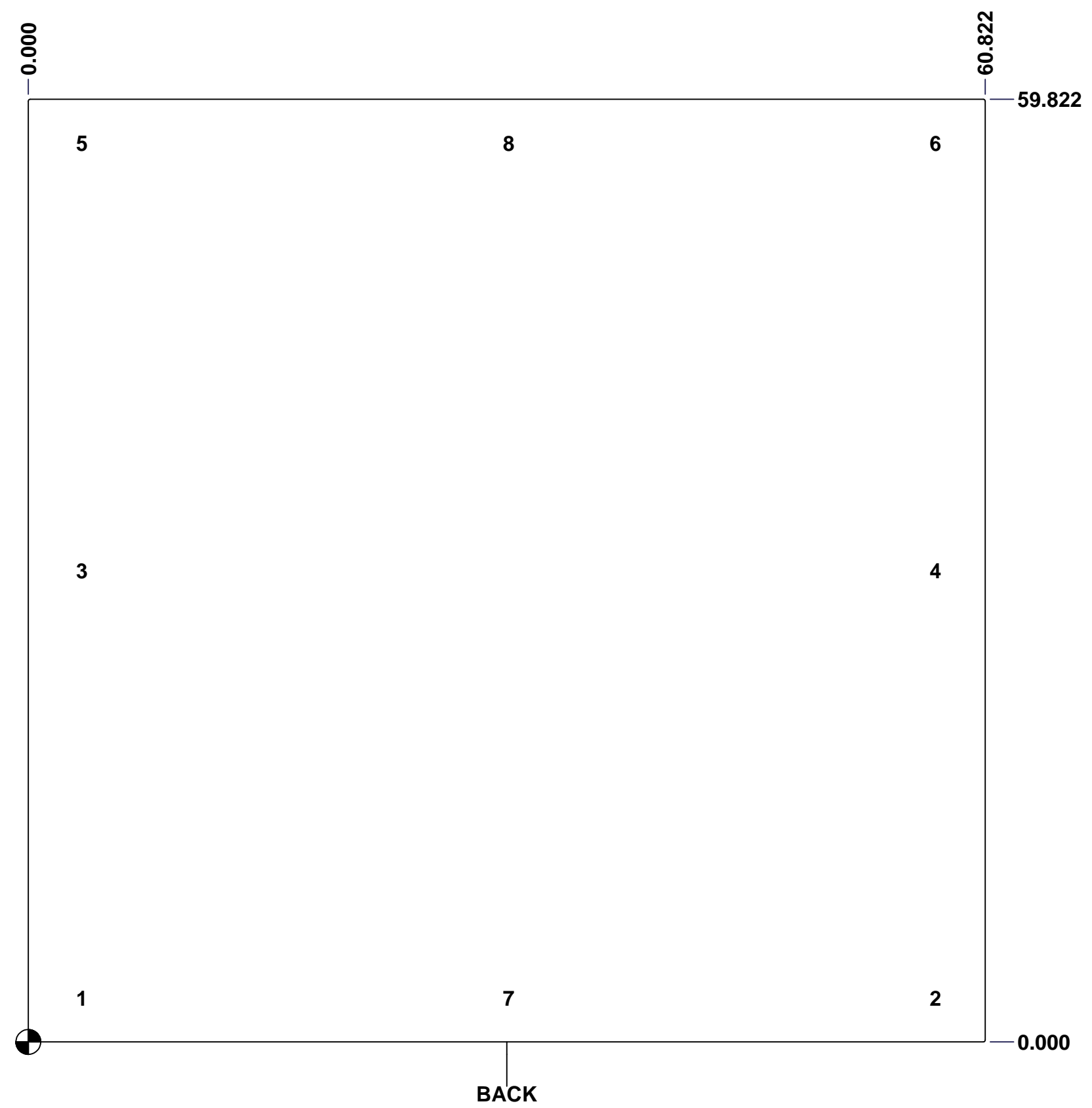
This drawing is confidential and must not be reproduced or used without the consent of EXM

Ce dessin est confidentiel et ne doit pas être reproduit ou utilisé sans le consentement de EXM

STANDARD FEATURES ARE NOT LISTED IN THIS HOLE TABLE

HOLE TABLE - BACK VIEW (CUSTOM FEATURE ONLY)

CUT-OUT	XDIM	YDIM	DESCRIPTION
1	3.161	2.786	IP STUD M10 x 40mm (Inside)
2	57.411	2.786	IP STUD M10 x 40mm (Inside)
3	3.161	29.911	IP STUD M10 x 40mm (Inside)
4	57.411	29.911	IP STUD M10 x 40mm (Inside)
5	3.161	57.036	IP STUD M10 x 40mm (Inside)
6	57.411	57.036	IP STUD M10 x 40mm (Inside)
7	30.286	2.786	IP STUD M10 x 40mm (Inside)
8	30.286	57.036	IP STUD M10 x 40mm (Inside)

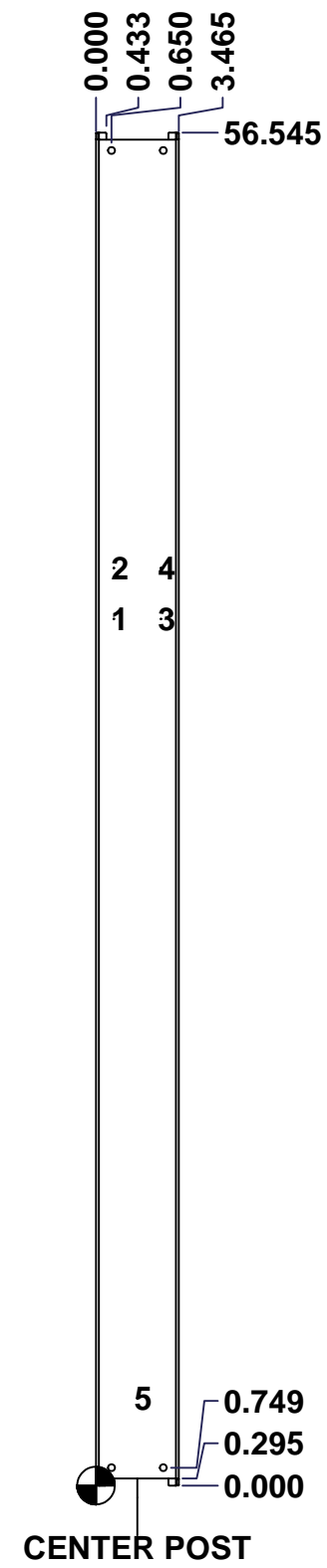


	Description		Status	
	5500UFD 60" x 61" x 24" Body		Released	
Part Number Numéro Pièce		Rev.	6	
5500UFD606124B		0	7	

This drawing is confidential and must not be reproduced or used without the consent of EXM

Ce dessin est confidentiel et ne doit pas être reproduit ou utilisé sans le consentement de EXM

STANDARD FEATURES ARE NOT LISTED IN THIS HOLE TABLE			
HOLE TABLE - CENTER VIEW (CUSTOM FEATURE ONLY)			
CUT-OUT	XDIM	YDIM	DESCRIPTION
1	0.748	36.220	INTERLOCK STUD M6 x 16mm (Inside)
2	0.748	38.346	INTERLOCK STUD M6 x 16mm (Inside)
3	2.717	36.220	INTERLOCK STUD M6 x 16mm (Inside)
4	2.717	38.346	INTERLOCK STUD M6 x 16mm (Inside)
5	1.732	3.648	GND STUD M6 x 16mm (Inside)

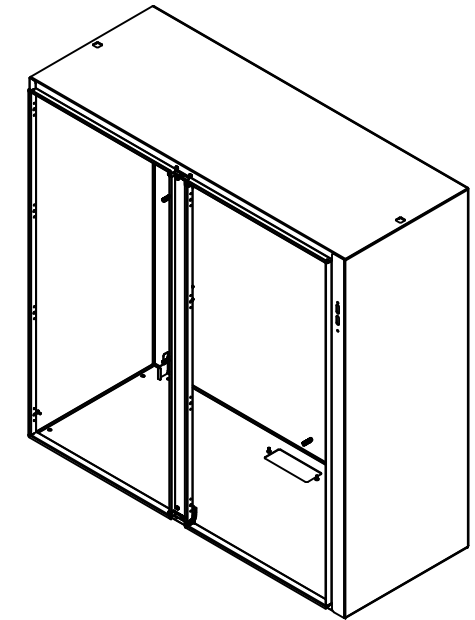


	Description	Status
	5500UFD 60" x 61" x 24" Body	Released
	Part Number Numéro Pièce	Rev.
	5500UFD606124B	0
		6
		7

This drawing is confidential and must not be reproduced or used without the consent of EXM

Ce dessin est confidentiel et ne doit pas être reproduit ou utilisé sans le consentement de EXM

No.	Revisions	Date	By/Par



Isometric View

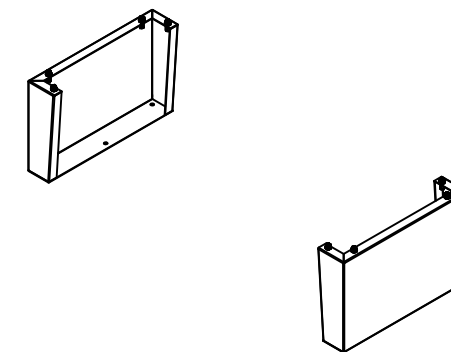
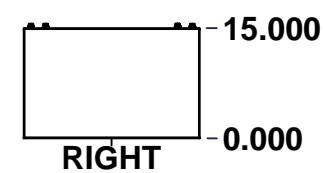
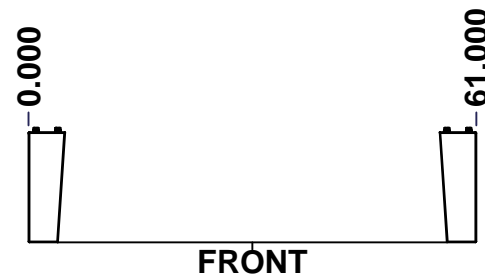
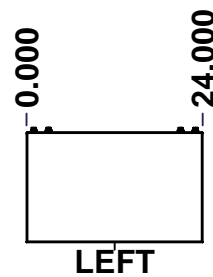
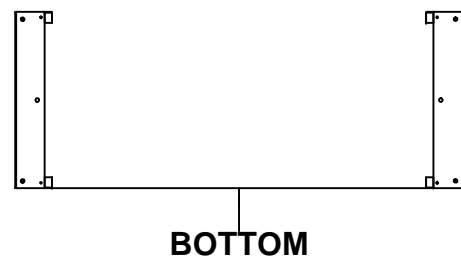
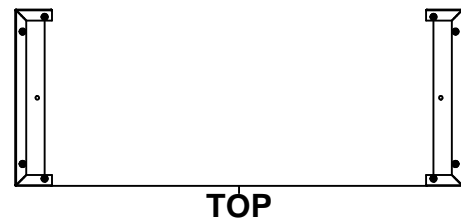


6	STK-Q-16030	0	Stud M6 x 10mm
6	STK-Q-07220	1	M6 Nylon Insert Lock Nut
1	STK-P-02400S	0	Powder Paint (Asa-61 Grey / Smooth)
4	STK-Q-16055	1	M6 x 18mm Stud (No Paint Cap Required)
1	STK-A-75454	3	Center Post - Sealing Block with Latch Assembly (Large)
1	5500UFD606124CP-P	0	5500UFD 60" Center Post Part
2	STK-Q-07320	0	Flange Lock Nut M10
2	STK-Q-07618	1	5500 Series Inner Panel Support Bracket
8	STK-Q-16100	0	Stud M10 x 40mm
1	5500UFD606124BT-P	0	5500UFD 61" x 24" Bottom Part
1	5500UFD606124T-P	0	5500UFD 61" x 24" Top Part
1	5500UFD606124RS-P	0	5500UFD 60" x 61" Right Part
1	5500UFD606124LS-P	0	5500UFD 60" x 61" Left Part
1	5500UFD606124B-P	0	5500UFD 60" x 61" Back Part
2	CR400MS_21.5	0	Commercial Roll Mild Steel (21.5in long)
4	STK-Q-16080	0	Ground Stud M6 x 16mm
Qty	Part Number	Rev	Description
Parts List			


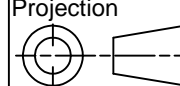
Tél: (450) 979-4373 Fax: (450) 979-4626 www.exmweb.com	Flatness Aplatissement
	Max 3.0mm
Projection	
Customer Client	Date
Drawn By Dessiné Par	Date 18-Mar-16
BoxCad: BoxCad	
Material Matière	12 Ga Cold Rolled A1008 CS Type B (2.5mm)
Color Couleur	Asa-61 Grey
Finish Fini	Smooth
Description	Detail Rev.
5500UFD 60" x 61" x 24" Body	
Part Number Numéro Pièce	Rev. 2
5500UFD606124B	0

This drawing is confidential and must not be reproduced or used without the consent of EXM

Ce dessin est confidentiel et ne doit pas être reproduit ou utilisé sans le consentement de EXM



No.	Revisions	Date	By/Par

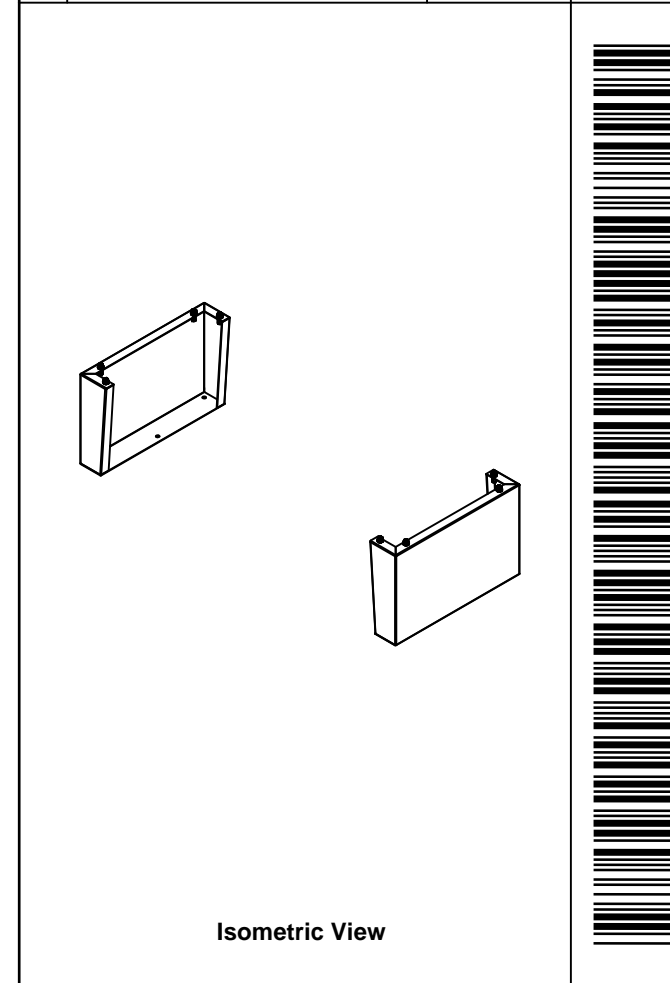
 Tél: (450) 979-4373 Fax: (450) 979-4626 www.exmweb.com		Flatness Aplatissement Max 3.0mm Projection 
Customer Client	Date	
Drawn By Dessiné Par	BoxCad: BoxCad	Date 18-Mar-16
Material Matière	12 Ga Cold Rolled A1008 CS Type B (2.5mm)	
Color Couleur	Asa-61 Grey	Finish Fini Smooth
Description 885 MFHD 15" x 24" Mounting Feet		Detail Rev.
Part Number Numéro Pièce	5500UFD606124MF	Rev. 1 0 / 4

SEE BILL OF MATERIAL ON LAST PAGE

This drawing is confidential and must not be reproduced or used without the consent of EXM

Ce dessin est confidentiel et ne doit pas être reproduit ou utilisé sans le consentement de EXM

No.	Revisions	Date	By/Par



EXM
www.exm.com

Tél: (450) 979-4373
Fax: (450) 979-4626
www.exmweb.com

Flatness
Aplatissement
Max 3.0mm

Projection

Customer Client _____ Date _____

Drawn By / Dessiné Par BoxCad: BoxCad Date 18-Mar-16

Material / Matière 12 Ga Cold Rolled A1008 CS Type B (2.5mm)

Color / Couleur Asa-61 Grey Finish / Fini Smooth

Description 885 MFHD 15" x 24" Mounting Feet

Detail Rev. _____

Part Number / Numéro Pièce **5500UFD606124MF**

Rev. **0**

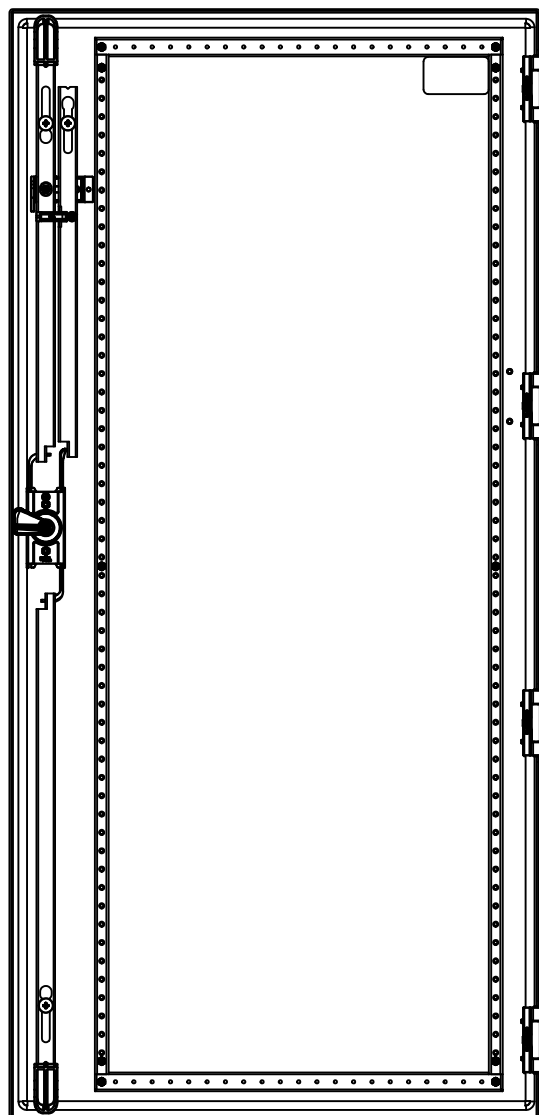
Qty	Part Name	Rev	Description
1	STK-P-02400S	0	Powder Paint (Asa-61 Grey / Smooth)
8	RIVET_NUT_M10_FH_CE	0	Rivet Nut M10 (Low Profile Close End)
1	5500UFD606124MFR-P	0	885 MFHD 15" x 24" Right Mounting Feet Part
1	5500UFD606124MFL-P	0	885 MFHD 15" x 24" Left Mounting Feet Part
1	STK-K-11600	2	885 MF Accessory Kit
Parts List			

This drawing is confidential and must not be reproduced or used without the consent of EXM

Ce dessin est confidentiel et ne doit pas être reproduit ou utilisé sans le consentement de EXM



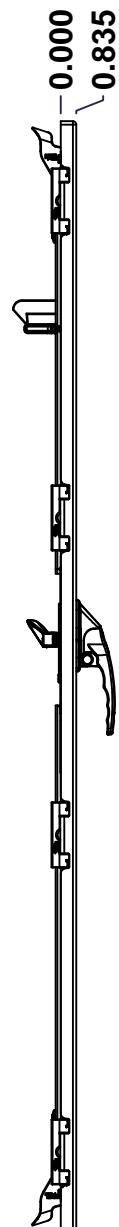
TOP



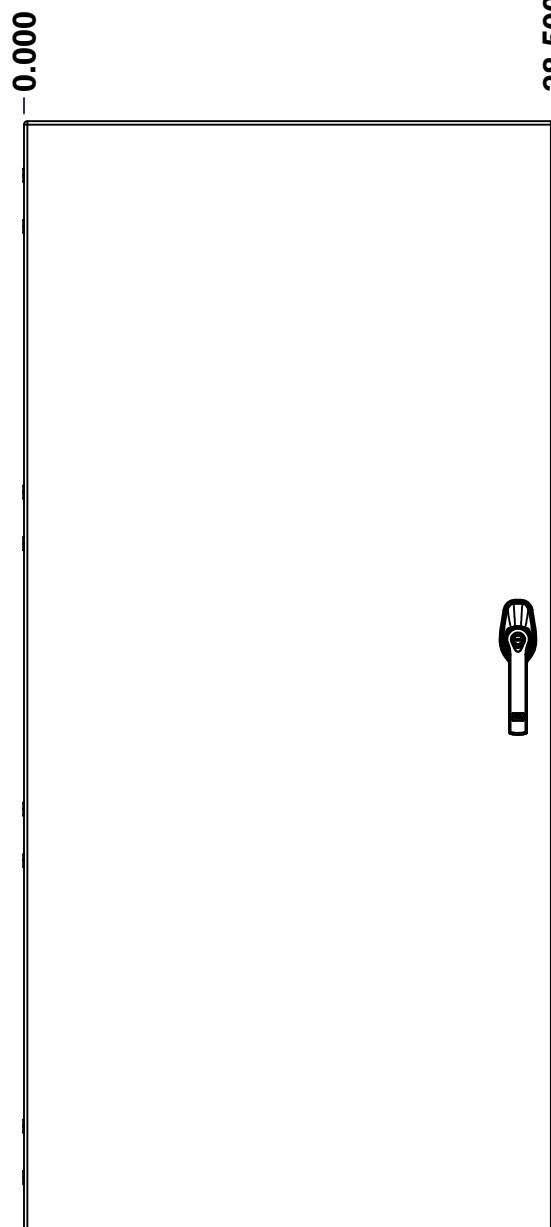
BACK



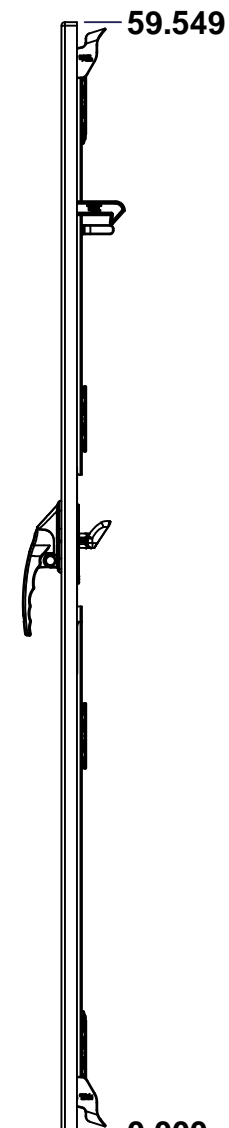
BOTTOM



LEFT

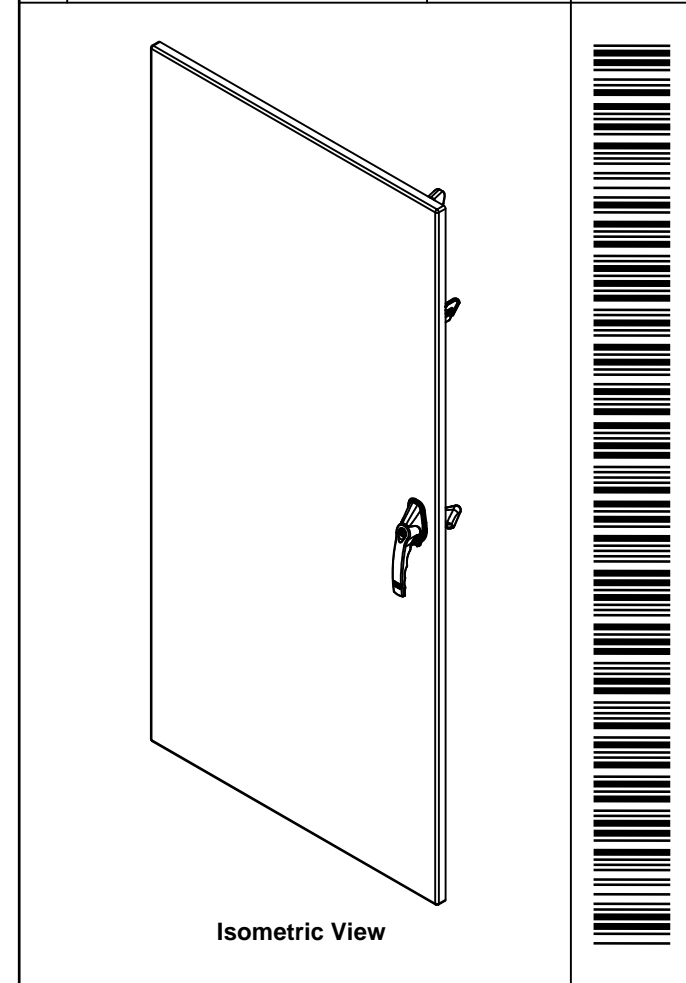


FRONT



RIGHT

No.	Revisions	Date	By/Par



Tél: (450) 979-4373 Fax: (450) 979-4626 www.exmweb.com		Flatness Aplatissement	
		Max 3.0mm	
Customer Client		Date	
Drawn By Dessiné Par BoxCad: BoxCad		Date 18-Mar-16	
Material Matière 12 Ga Cold Rolled A1008 CS Type B (2.5mm)			
Color Couleur Asa-61 Grey		Finish Fini Smooth	
Description 5500UFD 60" x 61" Lock Door			Detail Rev.
Part Number Numéro Pièce 5500UFD606124LD		Rev. 0	1 3

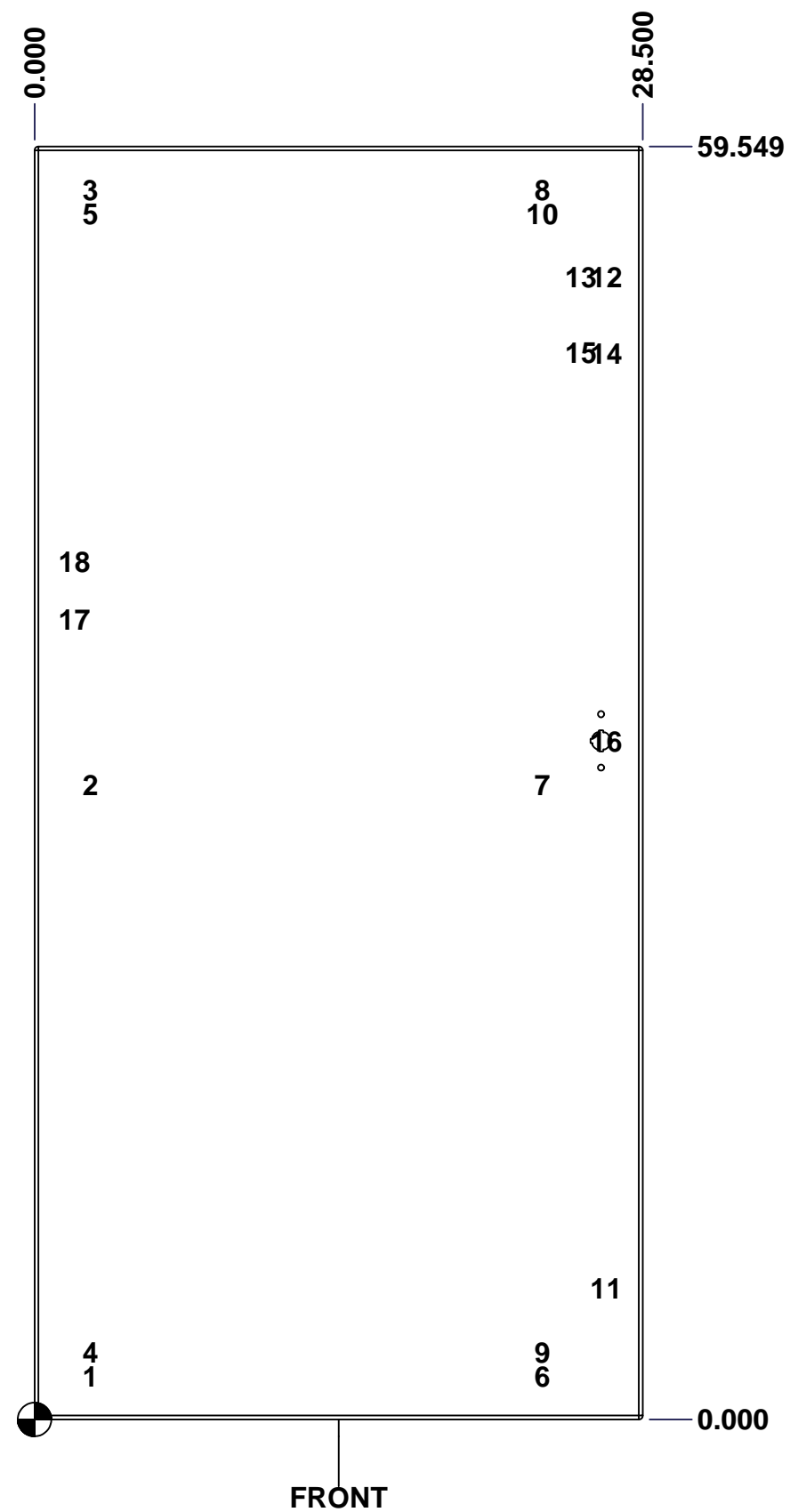
SEE BILL OF MATERIAL ON LAST PAGE

This drawing is confidential and must not be reproduced or used without the consent of EXM

Ce dessin est confidentiel et ne doit pas être reproduit ou utilisé sans le consentement de EXM

STANDARD FEATURES ARE NOT LISTED IN THIS HOLE TABLE			
HOLE TABLE - FRONT VIEW (CUSTOM FEATURE ONLY)			
CUT-OUT	XDIM	YDIM	DESCRIPTION
1	2.375	2.028	STUD M6 x 18mm (Inside)
2	2.375	29.675	STUD M6 x 18mm (Inside)
3	2.375	57.521	STUD M6 x 18mm (Inside)
4	2.375	3.139	STUD M6 x 18mm (Inside)
5	2.375	56.409	STUD M6 x 18mm (Inside)
6	23.544	2.028	STUD M6 x 18mm (Inside)
7	23.544	29.675	STUD M6 x 18mm (Inside)
8	23.544	57.521	STUD M6 x 18mm (Inside)
9	23.544	3.139	STUD M6 x 18mm (Inside)
10	23.544	56.409	STUD M6 x 18mm (Inside)
11	26.544	6.118	STUD M6 x 18mm (Inside)
12	26.544	53.430	STUD M6 x 18mm (Inside)
13	25.357	53.430	STUD M6 x 18mm (Inside)
14	26.544	49.886	STUD M6 x 18mm (Inside)
15	25.357	49.886	STUD M6 x 18mm (Inside)

16	26.544	31.743	HANDLE 885 ESL2A-APHD @ 0.0°
17	1.625	37.445	STUDS M6 x 18mm (Inside)
18	1.625	40.123	STUDS M6 x 18mm (Inside)

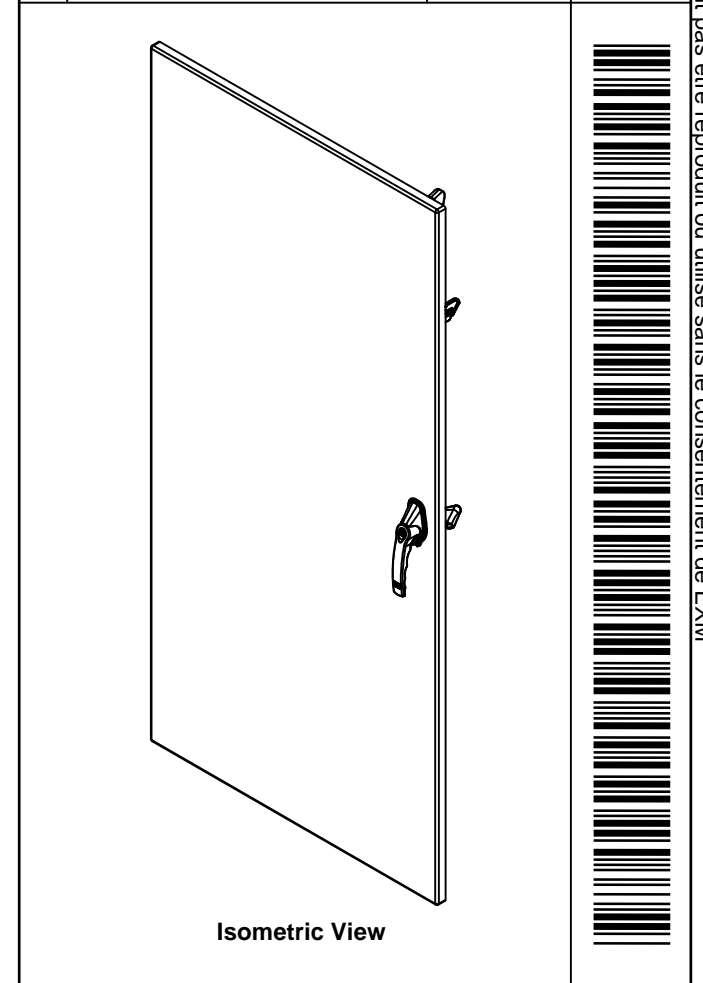


	Description	Status
	5500UFD 60" x 61" Lock Door	(NULL)
	Part Number Numéro Pièce	Rev.
	5500UFD606124LD	0
		2
		3

This drawing is confidential and must not be reproduced or used without the consent of EXM

Ce dessin est confidentiel et ne doit pas être reproduit ou utilisé sans le consentement de EXM

No.	Revisions	Date	By/Par



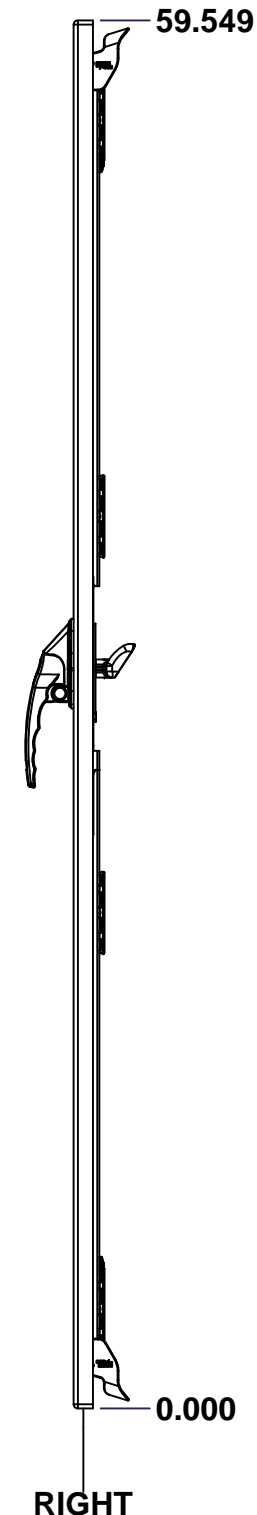
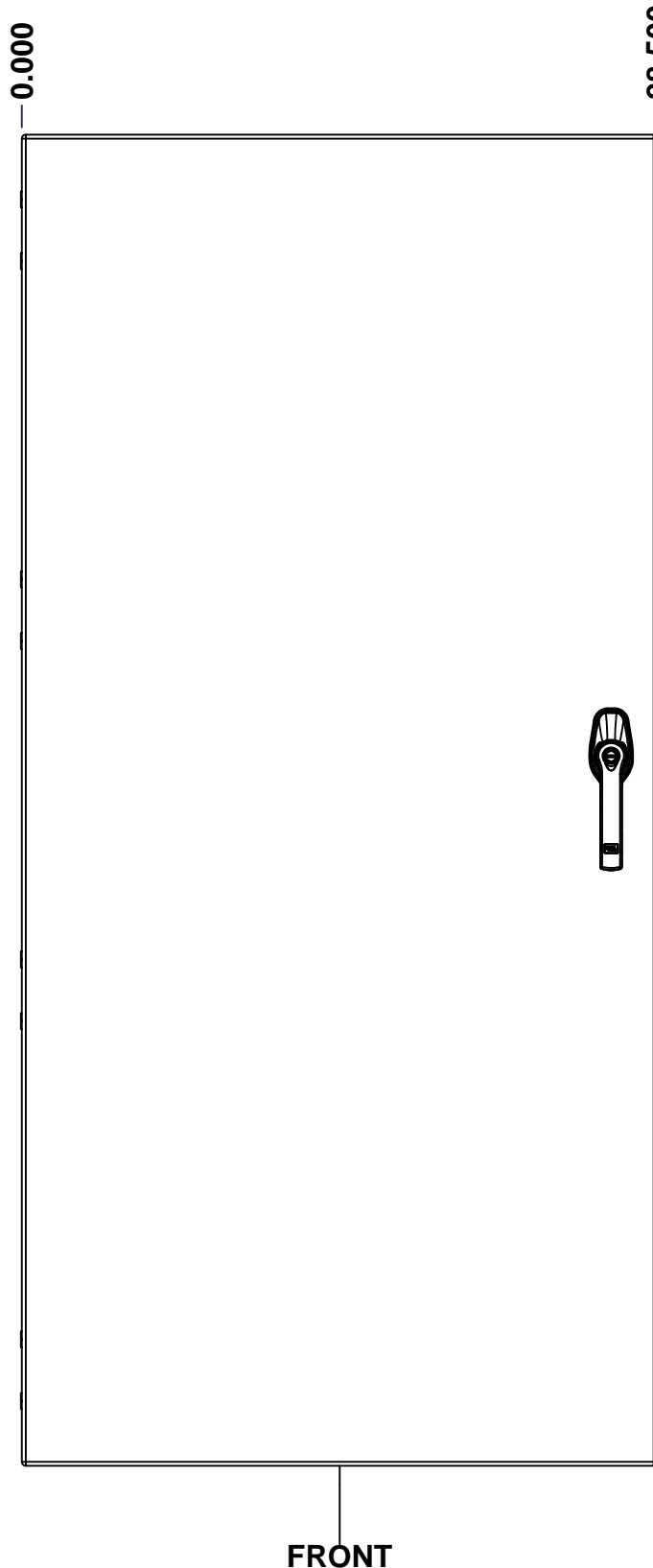
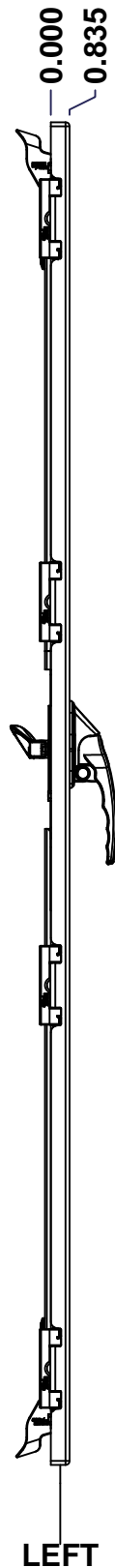
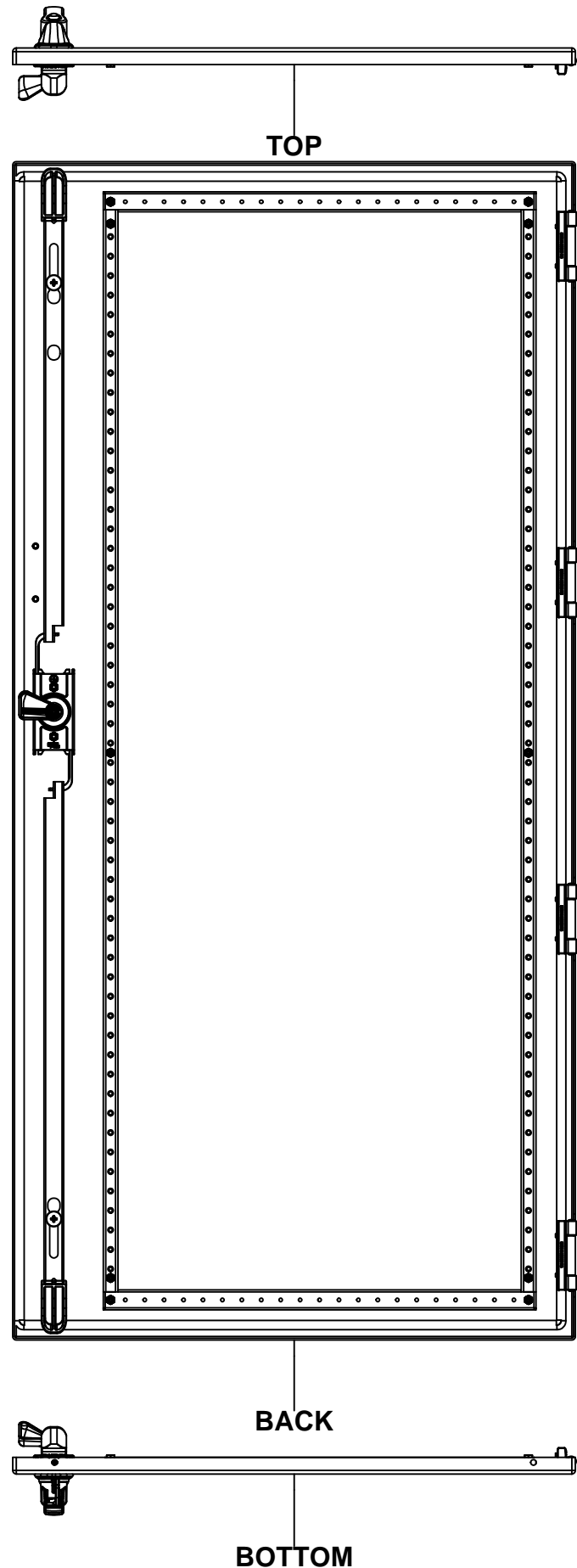
1	5500UFD606124DB_ESY	0	5500UFD 60" Disconnect Defeater Bar
1	5500UFD606124CB	0	5500UFD 60" Closing Bar
1	5500UFD606124CB_ESY	0	5500UFD 60" Disconnect Closing Bar
1	STK-K-03895-36	3	Gearbox Clockwise Assembly (Grip 36mm)
1	885ESL2A-APHD	0	885 ESL2A-APHD - Zinc Die Cast L-Handle Padlockable Assy - Slot Cylinder
1	STK-P-02400S	0	Powder Paint (Asa-61 Grey / Smooth)
1	STK-S-00100	0	3.5" x 2" Silver Milar Flexcon Sticker
1	STK-Q-07220	1	M6 Nylon Insert Lock Nut
1	STK-Q-13060	1	M6 Flat Washer
1	5500UFD606124LDG	0	5500UFD 60" x 61" Lock Door Gasket
1	STK-Q-46600	3	5500 ESY Disconnect Door Hook
1	5500UFD606124DS1	0	5500UFD 60" x 61" Door Stiffener
1	5500UFD606124LD-P	0	5500UFD 60" x 61" Lock Door Part
4	STK-K-09860	7	Cabinet Hinge with Captive Pins
17	STK-Q-16055	1	M6 x 18mm Stud (No Paint Cap Required)
Qty	Part Name	Rev	Description

Parts List

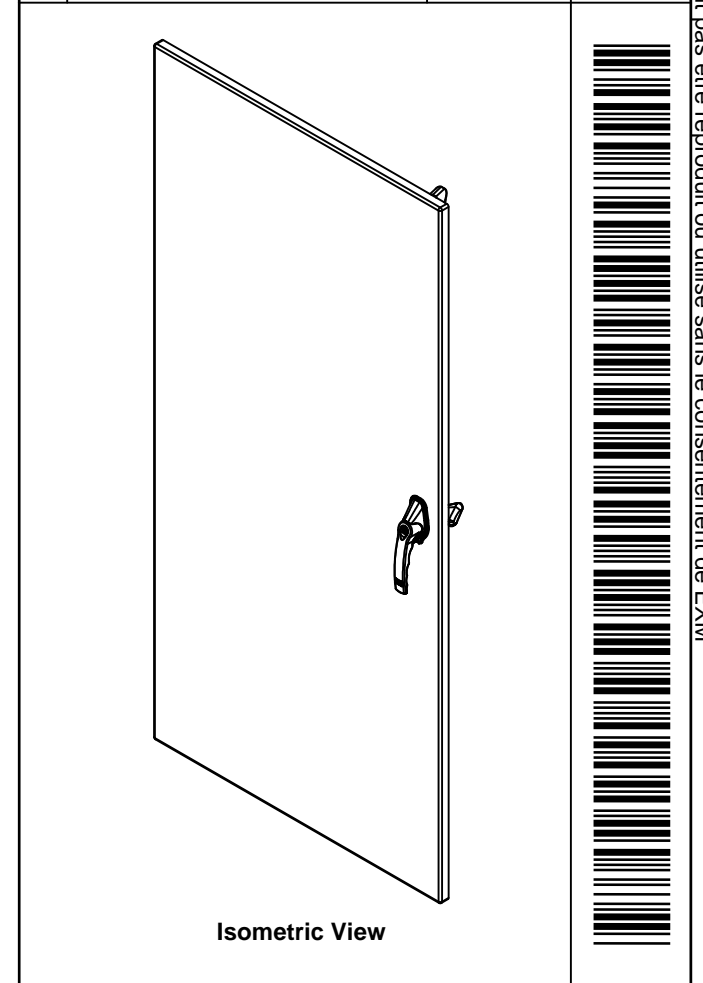
<p>Tél: (450) 979-4373 Fax: (450) 979-4626 www.exmweb.com</p>	Flatness Aplatissement
	Max 3.0mm
Projection	
Customer Client	Date
Drawn By Dessiné Par	Date 18-Mar-16
Material Matière	12 Ga Cold Rolled A1008 CS Type B (2.5mm)
Color Couleur	Asa-61 Grey
Finish Fini	Smooth
Description	Detail Rev.
5500UFD 60" x 61" Lock Door	
Part Number Numéro Pièce	Rev. 3
5500UFD606124LD	0


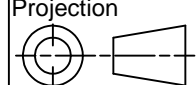
This drawing is confidential and must not be reproduced or used without the consent of EXM

Ce dessin est confidentiel et ne doit pas être reproduit ou utilisé sans le consentement de EXM



No.	Revisions	Date	By/Par



 Tél: (450) 979-4373 Fax: (450) 979-4626 www.exmweb.com		Flatness Aplatissement Max 3.0mm Projection 
Customer Client		Date
Drawn By Dessiné Par	BoxCad: BoxCad	Date 18-Mar-16
Material Matière	12 Ga Cold Rolled A1008 CS Type B (2.5mm)	
Color Couleur	Asa-61 Grey	Finish Fini Smooth
Description	5500UFD 60" x 61" Lock Door	
Part Number Numéro Pièce	5500UFD606124FD	Detail Rev. Rev. 1 0 3

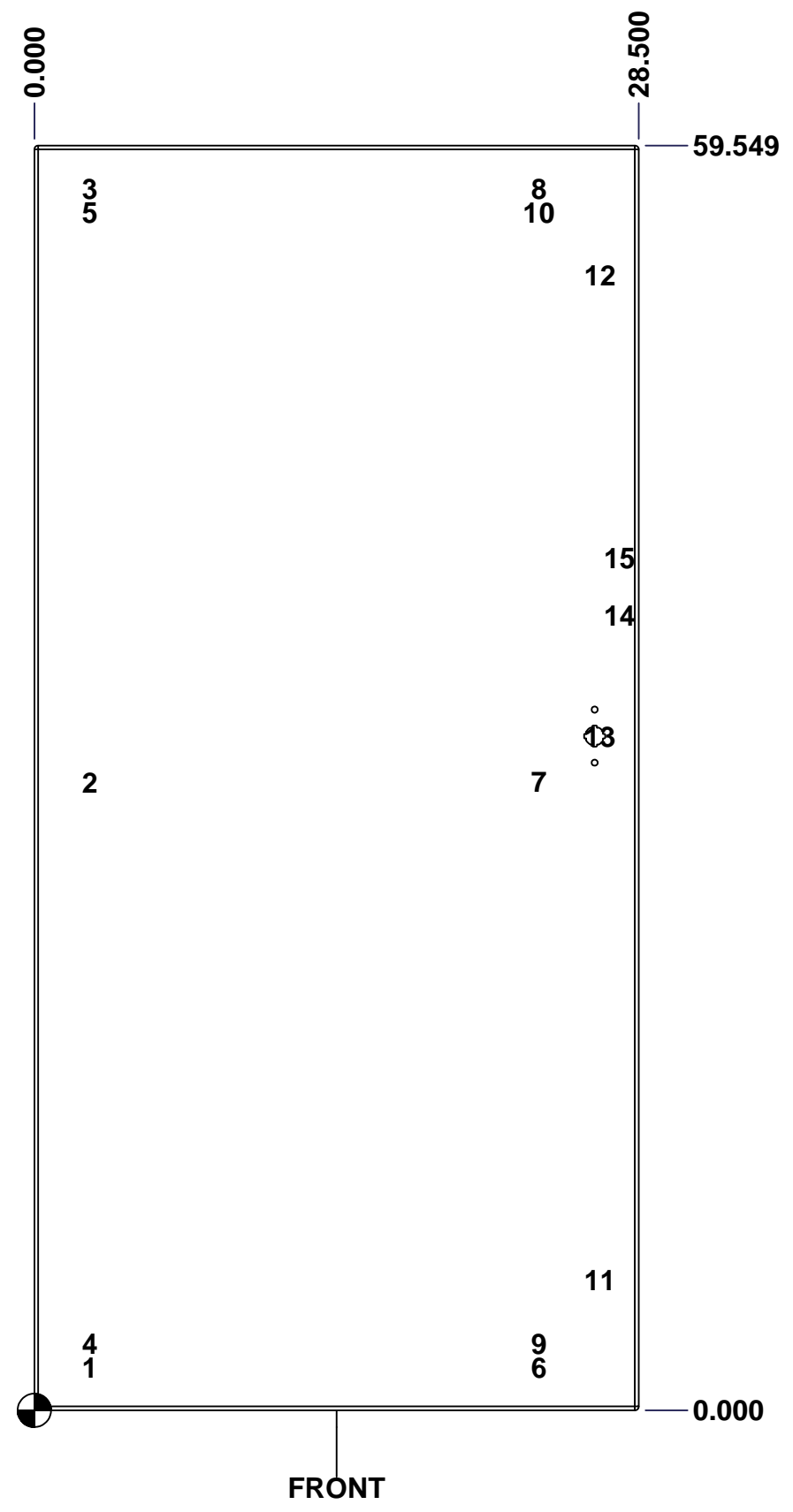
SEE BILL OF MATERIAL ON LAST PAGE

This drawing is confidential and must not be reproduced or used without the consent of EXM

Ce dessin est confidentiel et ne doit pas être reproduit ou utilisé sans le consentement de EXM

STANDARD FEATURES ARE NOT LISTED IN THIS HOLE TABLE			
HOLE TABLE - FRONT VIEW (CUSTOM FEATURE ONLY)			
CUT-OUT	XDIM	YDIM	DESCRIPTION
1	2.375	2.028	STUD M6 x 18mm (Inside)
2	2.375	29.581	STUD M6 x 18mm (Inside)
3	2.375	57.521	STUD M6 x 18mm (Inside)
4	2.375	3.139	STUD M6 x 18mm (Inside)
5	2.375	56.409	STUD M6 x 18mm (Inside)
6	23.544	2.028	STUD M6 x 18mm (Inside)
7	23.544	29.581	STUD M6 x 18mm (Inside)
8	23.544	57.521	STUD M6 x 18mm (Inside)
9	23.544	3.139	STUD M6 x 18mm (Inside)
10	23.544	56.409	STUD M6 x 18mm (Inside)
11	26.419	6.118	CLOSING BAR GUIDE (Inside)
12	26.419	53.430	CLOSING BAR GUIDE (Inside)

13	26.419	31.743	HANDLE 885 ESL2A-APHD @ 0.0°
14	27.347	37.445	STUDS M6 x 18mm (Inside)
15	27.347	40.123	STUDS M6 x 18mm (Inside)

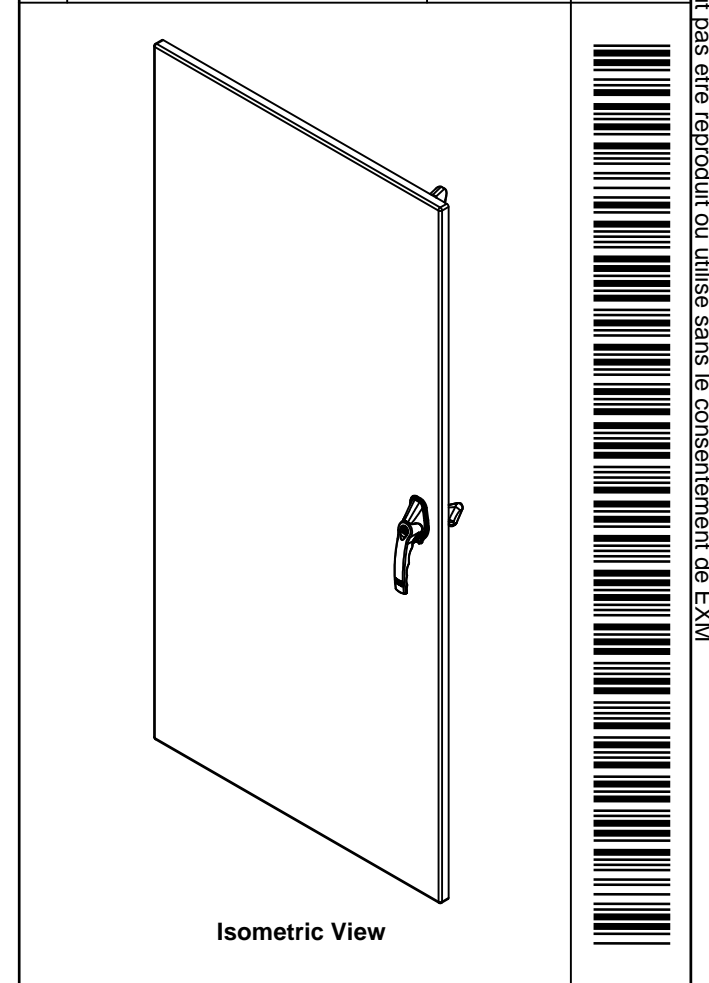



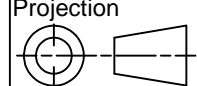
	Description	Status
	5500UFD 60" x 61" Lock Door	(NULL)
	Part Number Numéro Pièce	Rev.
	5500UFD606124FD	0
		2
		3

This drawing is confidential and must not be reproduced or used without the consent of EXM

Ce dessin est confidentiel et ne doit pas être reproduit ou utilisé sans le consentement de EXM

No.	Revisions	Date	By/Par

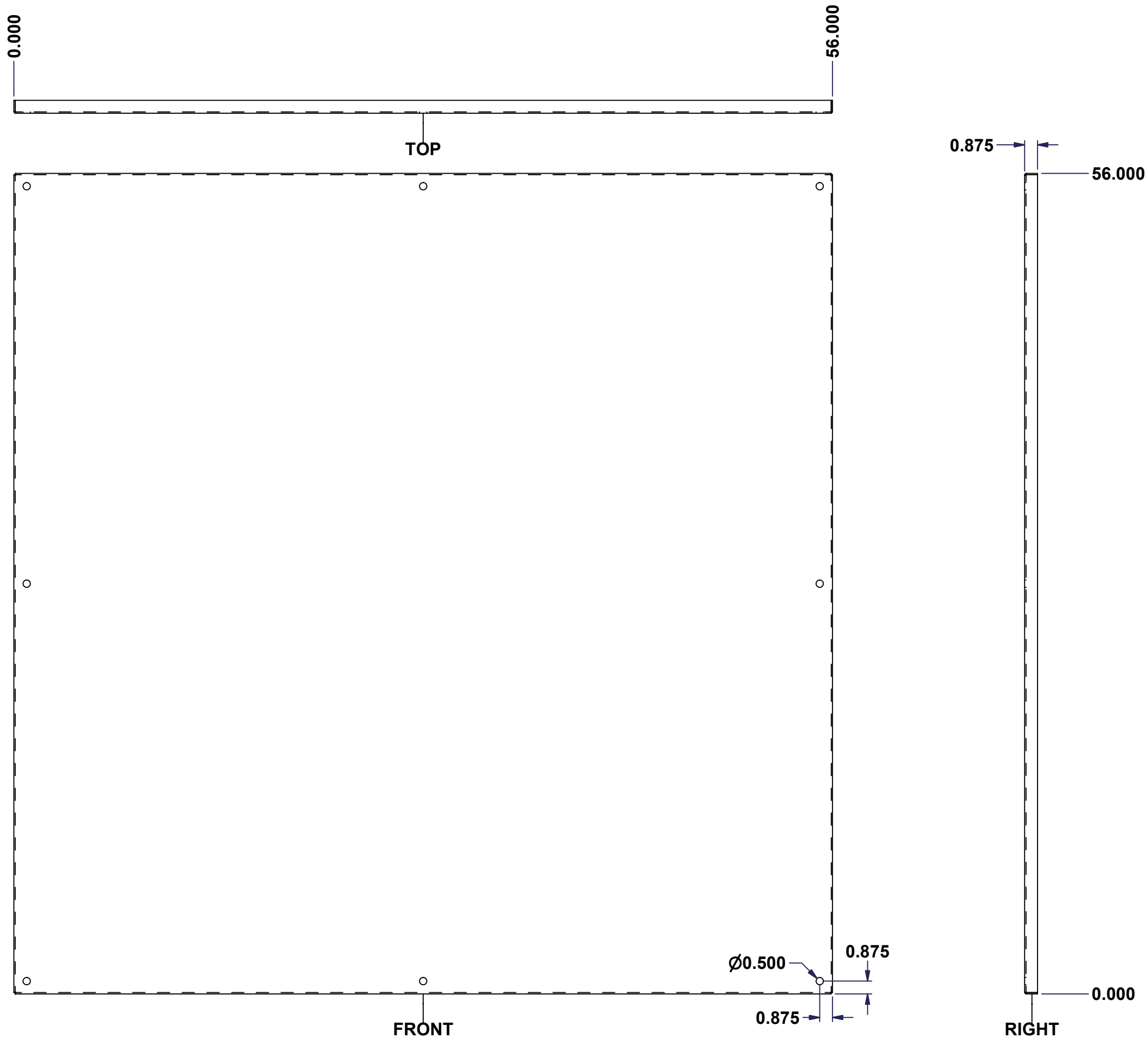


 Tél: (450) 979-4373 Fax: (450) 979-4626 www.exmweb.com		Flatness Aplatissement Max 3.0mm Projection 
Customer Client		Date
Drawn By / Dessiné Par: BoxCad: BoxCad		Date: 18-Mar-16
Material / Matière: 12 Ga Cold Rolled A1008 CS Type B (2.5mm)		
Color / Couleur: Asa-61 Grey	Finish / Fini: Smooth	
Description: 5500UFD 60" x 61" Lock Door		Detail Rev.
Part Number / Numéro Pièce: 5500UFD606124FD		Rev. 3
		0

Qty	Part Name	Rev	Description
1	5500UFD606124CB	0	5500UFD 60" Closing Bar
1	5500UFD606124CB2ESY	0	5500UFD 60" Disconnect Closing Bar
1	STK-A-03880-36	12	Gearbox Clockwise Assembly (Grip 36mm)
1	885ESL2A-APHD	0	885 ESL2A-APHD - Zinc Die Cast L-Handle Padlockable Assy - Slot Cylinder
1	5500UFD606124FDG	0	5500UFD 60" x 61" Flange Door Gasket
1	STK-P-02400S	0	Powder Paint (Asa-61 Grey / Smooth)
1	5500UFD606124DS1	0	5500UFD 60" x 61" Door Stiffener
1	5500UFD606124FD-P	0	5500UFD 60" x 61" Lock Door Part
4	STK-K-09860	7	Cabinet Hinge with Captive Pins
14	STK-Q-16055	1	M6 x 18mm Stud (No Paint Cap Required)
Parts List			

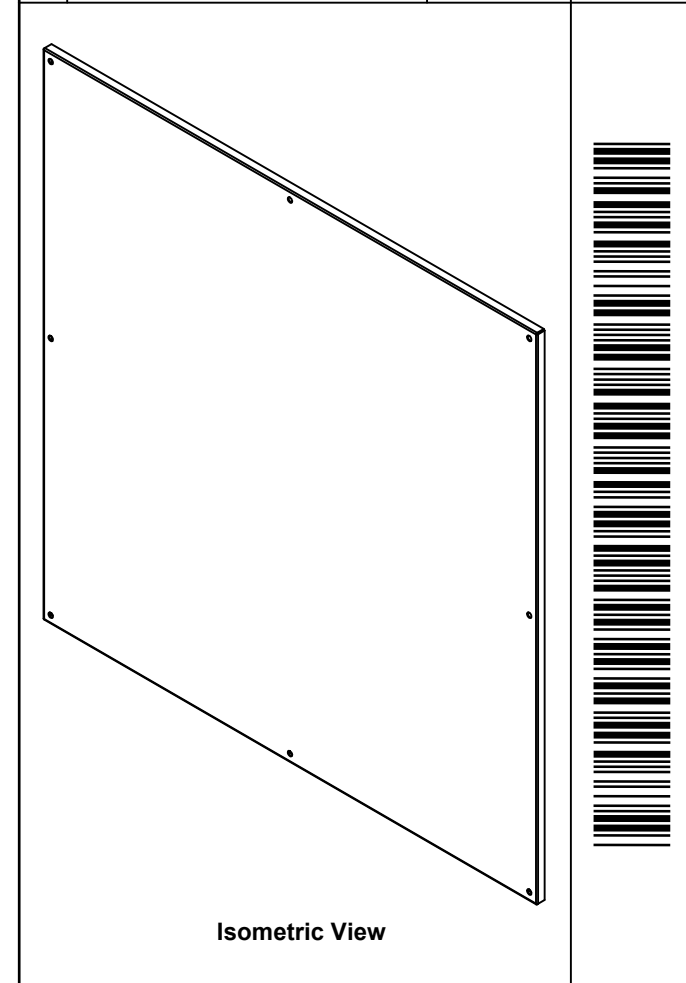
This drawing is confidential and must not be reproduced or used without the consent of EXM

Ce dessin est confidentiel et ne doit pas être reproduit ou utilisé sans le consentement de EXM



SEE BILL OF MATERIAL ON LAST PAGE

No.	Revisions	Date	By/Par

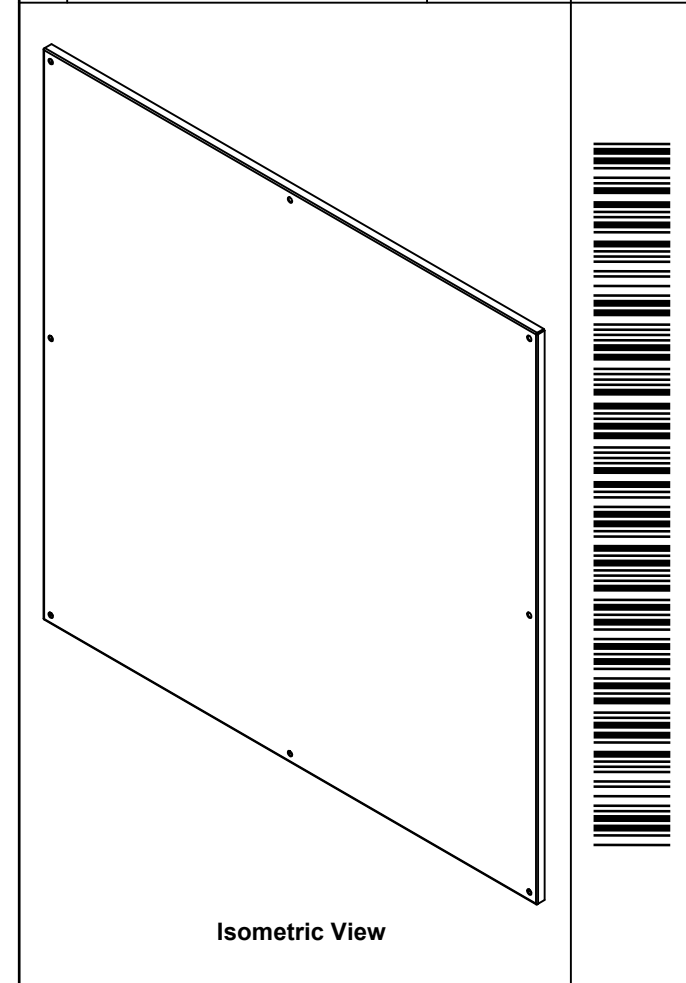


Tél: (450) 979-4373 Fax: (450) 979-4626 www.exmweb.com		Flatness Aplatissement Max 3.0mm Projection
Customer Client	Date	
Drawn By Dessiné Par	BoxCad	Date 04/11/2009
Material Matière	12 Ga Galvanized (2.5mm)	
Color Couleur	Unpainted	Finish Finis Unpainted
Description	Detail Rev.	
885 SP6060G Inner Panel		
Part Number Numéro Pièce	Rev.	1
885SP6060G	0	2

This drawing is confidential and must not be reproduced or used without the consent of EXM

Ce dessin est confidentiel et ne doit pas être reproduit ou utilisé sans le consentement de EXM

No.	Revisions	Date	By/Par



Tél: (450) 979-4373 Fax: (450) 979-4626 www.exmweb.com		Flatness Aplatissement	
		Max 3.0mm Projection	
Customer Client		Date	
Drawn By Dessiné Par BoxCad		Date 04/11/2009	
Material Matière 12 Ga Galvanized (2.5mm)			
Color Couleur Unpainted		Finish Fini Unpainted	
Description 885 SP6060G Inner Panel			Detail Rev.
Part Number Numéro Pièce 885SP6060G		Rev. 0	2 2

Qty	Part Number	Rev	Description
1	885SP6060G-P	0	885 SP6060G Inner Panel Part
Parts List			