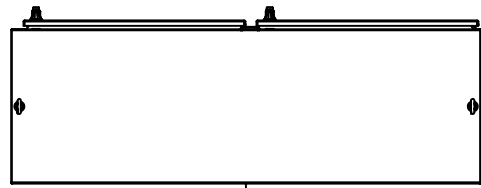
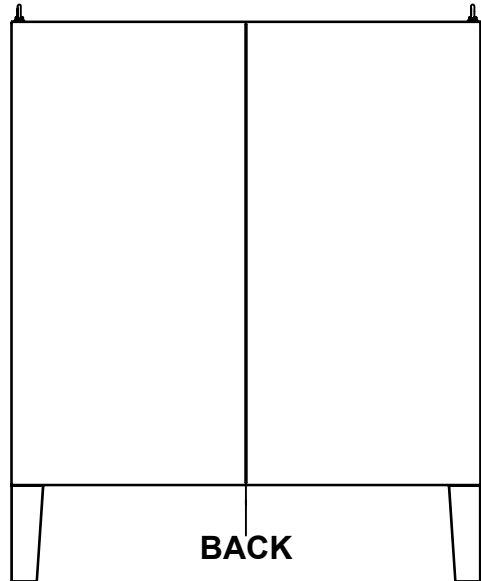


This drawing is confidential and must not be reproduced or used without the consent of EXM

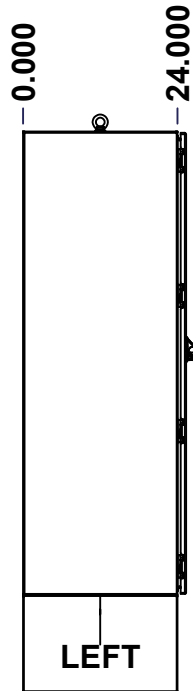
Ce dessin est confidentiel et ne doit pas être reproduit ou utilisé sans le consentement de EXM



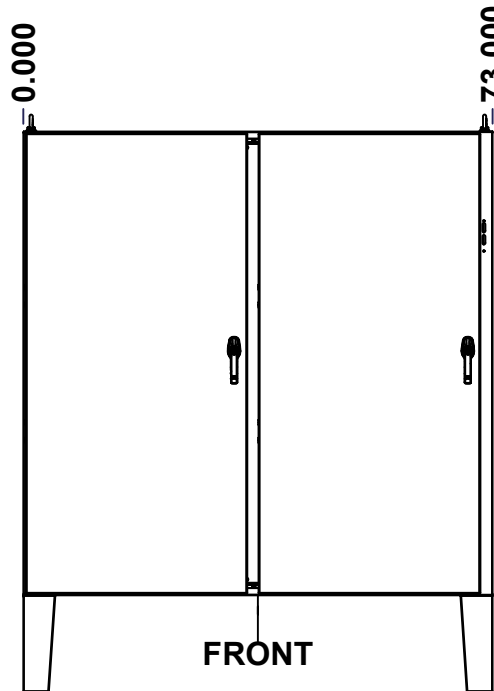
TOP



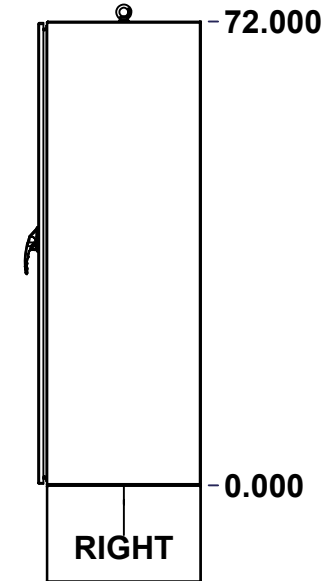
BACK



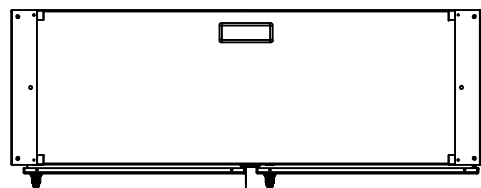
LEFT



FRONT

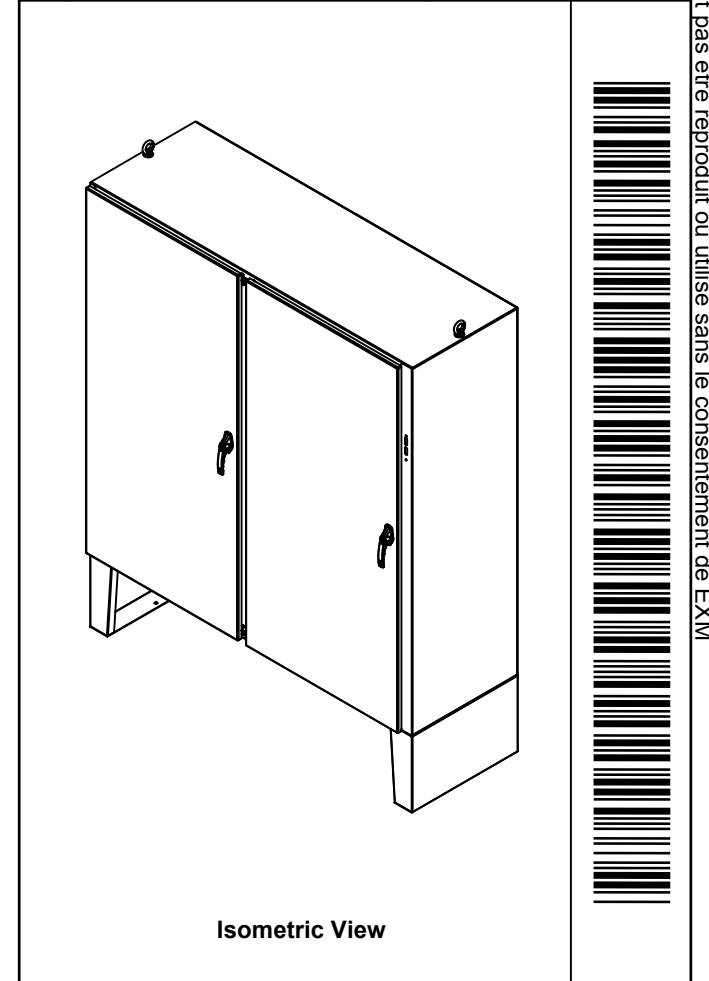


RIGHT




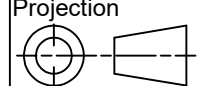
BOTTOM

No.	Revisions	Date	By/Par



Isometric View



 Tél: (450) 979-4373 Fax: (450) 979-4626 www.exmweb.com		Flatness Aplatissement Max 3.0mm Projection 
Customer Client	Date	
Drawn By Dessiné Par	BoxCad: BoxCad	Date 3/18/2016
Material Matière	12 Ga Cold Rolled A1008 CS Type B (2.5mm)	
Color Couleur	Asa-61 Grey	Finish Fini Smooth
Description	Detail Rev.	
5500UFD 72" x 73" x 24" Assembly		
Part Number Numéro Pièce	Rev. 0	1 2
5500UFD727324		

SEE BILL OF MATERIAL ON LAST PAGE

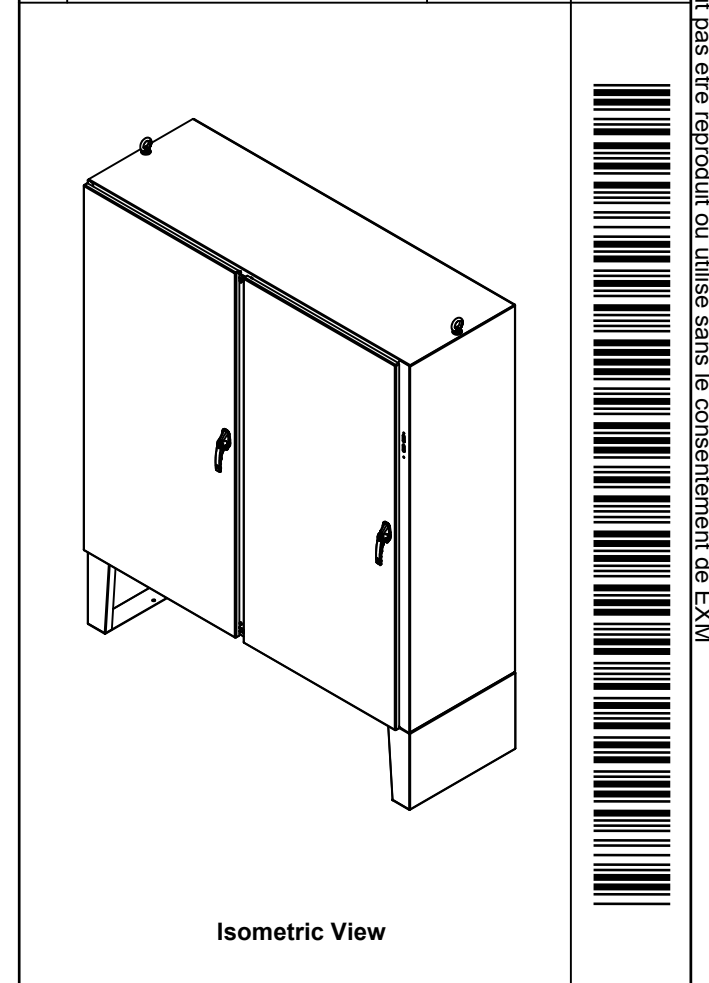
This drawing is confidential and must not be reproduced or used without the consent of EXM

Ce dessin est confidentiel et ne doit pas être reproduit ou utilisé sans le consentement de EXM

NOTE

ITEM	DESCRIPTION
1	NEMA 12/13 Enclosure
2	C/W Standard ground studs on box and cover
3	C/W Standard door stiffener
4	C/W Standard inner panel (Included)
5	C/W Standard inner panel mounting studs
6	C/W Eyebolts
7	C/W Mounting feet sold separately (Installed)
8	C/W Struts installed (Included)
9	C/W Special handle sold separately (Kit)

No.	Revisions	Date	By/Par



	Tél: (450) 979-4373 Fax: (450) 979-4626 www.exmweb.com	Flatness	Max 3.0mm
		Aplatissement	Projection
Customer Client		Date	
Drawn By / Dessiné Par: BoxCad: BoxCad		Date: 3/18/2016	
Material / Matière: 12 Ga Cold Rolled A1008 CS Type B (2.5mm)		Color / Couleur: Asa-61 Grey	
Finish: Smooth		Description: 5500UFD 72" x 73" x 24" Assembly	
Part Number / Numéro Pièce: 5500UFD727324		Rev.:	2
Detail Rev.		0	2

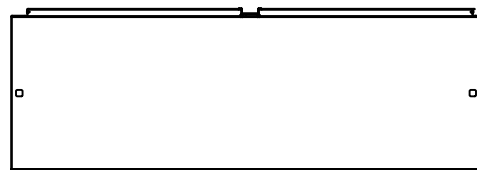
Qty	Part Number	Rev	Description
1	5500UFD727324MF	0	885 MFHD 15" x 24" Mounting Feet
1	880INT1	2	880 INT1 - Interlock Post Kit
1	5500UFD727324GP	0	5500UFD Gland Plate
1	880EB14	2	Eye Bolt M14 (Pack of 2)
8	STK-Q-07320	0	Flange Lock Nut M10
1	885SP7272G	0	885 SP7272G Inner Panel
6	STK-Q-07620	0	M10 Plastic Spacer 0.875"
1	5500UFD727324FD	0	5500UFD 72" x 73" Lock Door
1	5500UFD727324LD	0	5500UFD 72" x 73" Lock Door
1	5500UFD727324B	0	5500UFD 72" x 73" x 24" Body
8	STK-Q-04050-10	8	M6 x 10mm Hexagon Socket Head Machine Screw with Nyseal

PACKING		
ITEM	QTY	DESCRIPTION
Cardboard sleeve	2	Top and Bottom
Cardboard strip	2	Between back of enclosure and inner panel
Plastic bag	1	To protect cover surface and inside gasket
Cardboard corner	4	To reinforced for the plastic strap tightening
Plastic strap - Black	2	To Squeeze 2 cardboard sleeve together
Packaging label	3	White label with PN
Plastic strap- Green	2	To secure the enclosure to the wood pallet
Wood Pallet	1	2" deeper and 3" larger than enclosure size

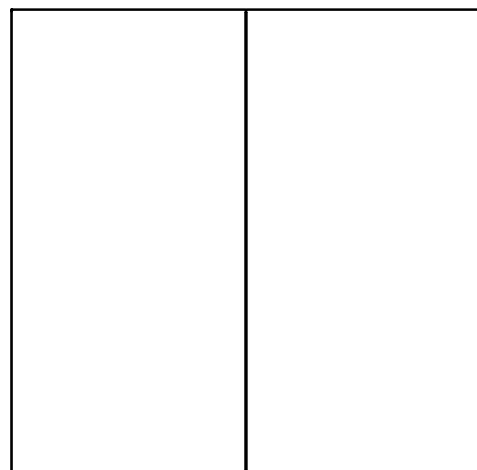
Parts List

This drawing is confidential and must not be reproduced or used without the consent of EXM

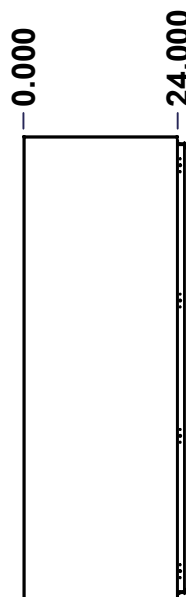
Ce dessin est confidentiel et ne doit pas être reproduit ou utilisé sans le consentement de EXM



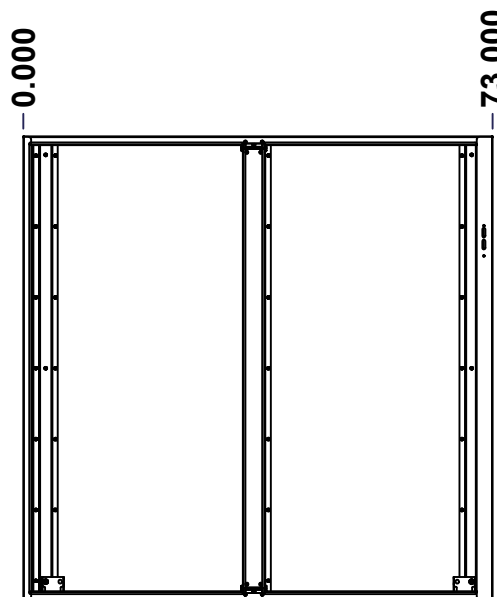
TOP



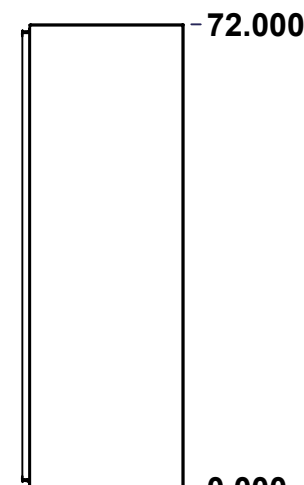
BACK



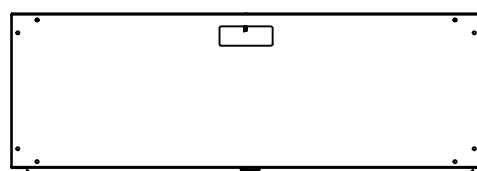
LEFT



FRONT

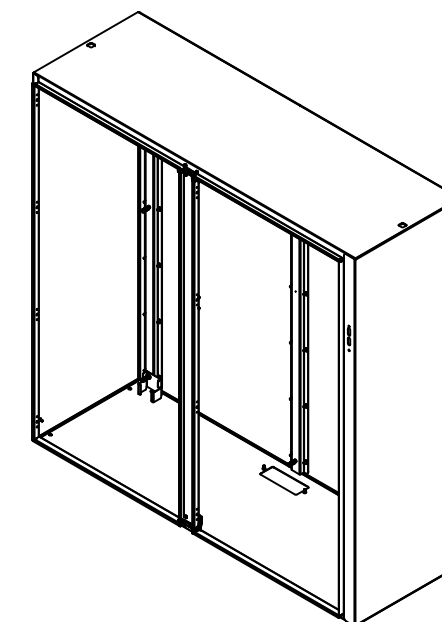


RIGHT



BOTTOM

No.	Revisions	Date	By/Par



Isometric View



Tél: (450) 979-4373
 Fax: (450) 979-4626
www.exmweb.com

Flatness
Aplatissement

Max 3.0mm

Projection



Customer Client	Date
Drawn By Dessiné Par BoxCad: BoxCad	Date 3/18/2016

Material
Matière 12 Ga Cold Rolled A1008 CS Type B (2.5mm)

Color
Couleur Asa-61 Grey

Finish
Fini Smooth

Description
5500UFD 72" x 73" x 24" Body

Detail Rev.

Part Number Numéro Pièce	Rev.	1
5500UFD727324B	0	2

SEE BILL OF MATERIAL ON LAST PAGE

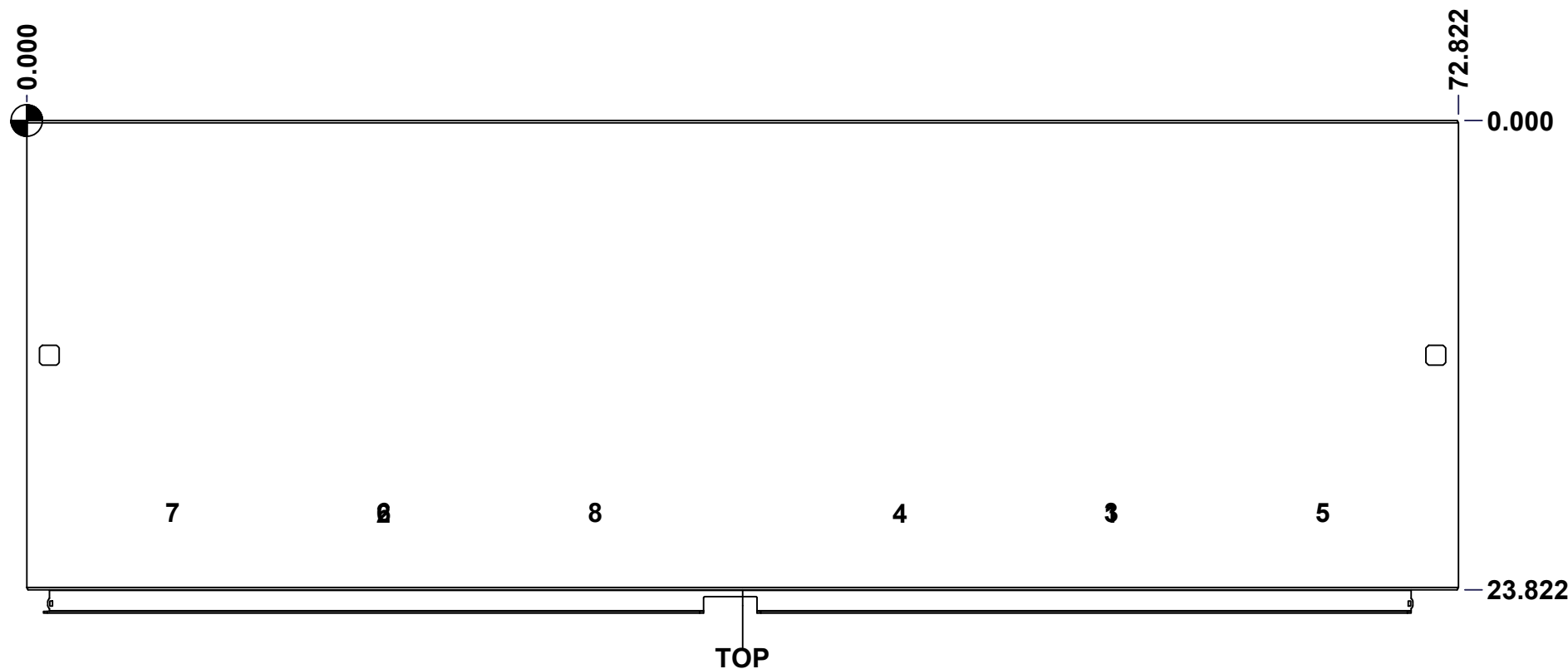
This drawing is confidential and must not be reproduced or used without the consent of EXM

Ce dessin est confidentiel et ne doit pas être reproduit ou utilisé sans le consentement de EXM

STANDARD FEATURES ARE NOT LISTED IN THIS HOLE TABLE

HOLE TABLE - TOP VIEW (CUSTOM FEATURE ONLY)

CUT-OUT	XDIM	YDIM	DESCRIPTION
1	54.911	19.911	Struts CR400 27.500" (Inside)
2	17.911	19.911	Struts CR400 27.500" (Inside)
3	54.911	19.911	STUDS M6 x 10mm (Inside)
4	44.161	19.911	STUDS M6 x 10mm (Inside)
5	65.661	19.911	STUDS M6 x 10mm (Inside)
6	17.911	19.911	STUDS M6 x 10mm (Inside)
7	7.161	19.911	STUDS M6 x 10mm (Inside)
8	28.661	19.911	STUDS M6 x 10mm (Inside)



	Description	Status	
	5500UFD 72" x 73" x 24" Body	Released	
	Part Number Numéro Pièce	Rev.	
	5500UFD727324B	0	2 / 7

This drawing is confidential and must not be reproduced or used without the consent of EXM

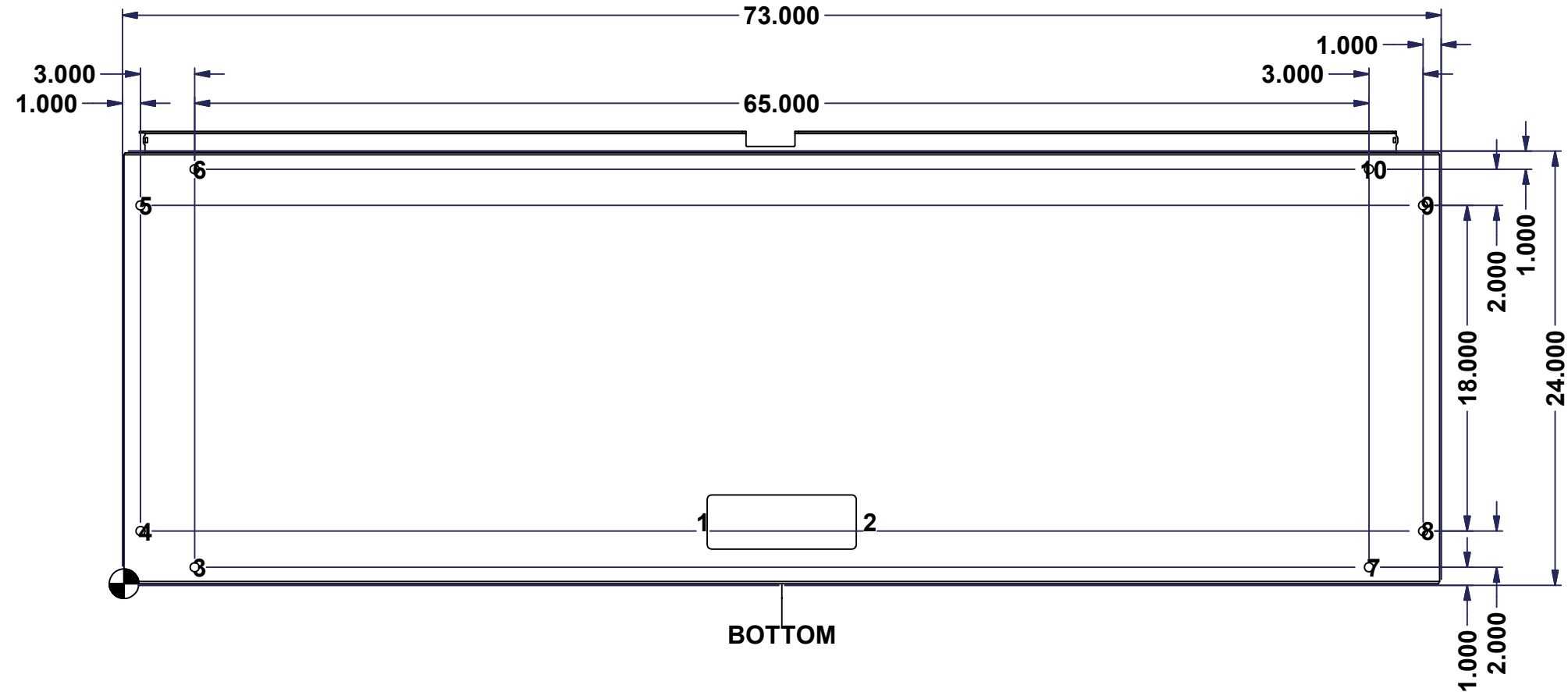
Ce dessin est confidentiel et ne doit pas être reproduit ou utilisé sans le consentement de EXM

STANDARD FEATURES ARE NOT LISTED IN THIS HOLE TABLE

HOLE TABLE - BOTTOM VIEW (CUSTOM FEATURE ONLY)

CUT-OUT	XDIM	YDIM	DESCRIPTION
1	31.786	3.411	GP STUD M6 x 16mm (Inside)
2	41.036	3.411	GP STUD M6 x 16mm (Inside)

3	3.911	0.911	RND Ø0.500
4	0.911	2.911	RND Ø0.500
5	0.911	20.911	RND Ø0.500
6	3.911	22.911	RND Ø0.500
7	68.911	0.911	RND Ø0.500
8	71.911	2.911	RND Ø0.500
9	71.911	20.911	RND Ø0.500
10	68.911	22.911	RND Ø0.500



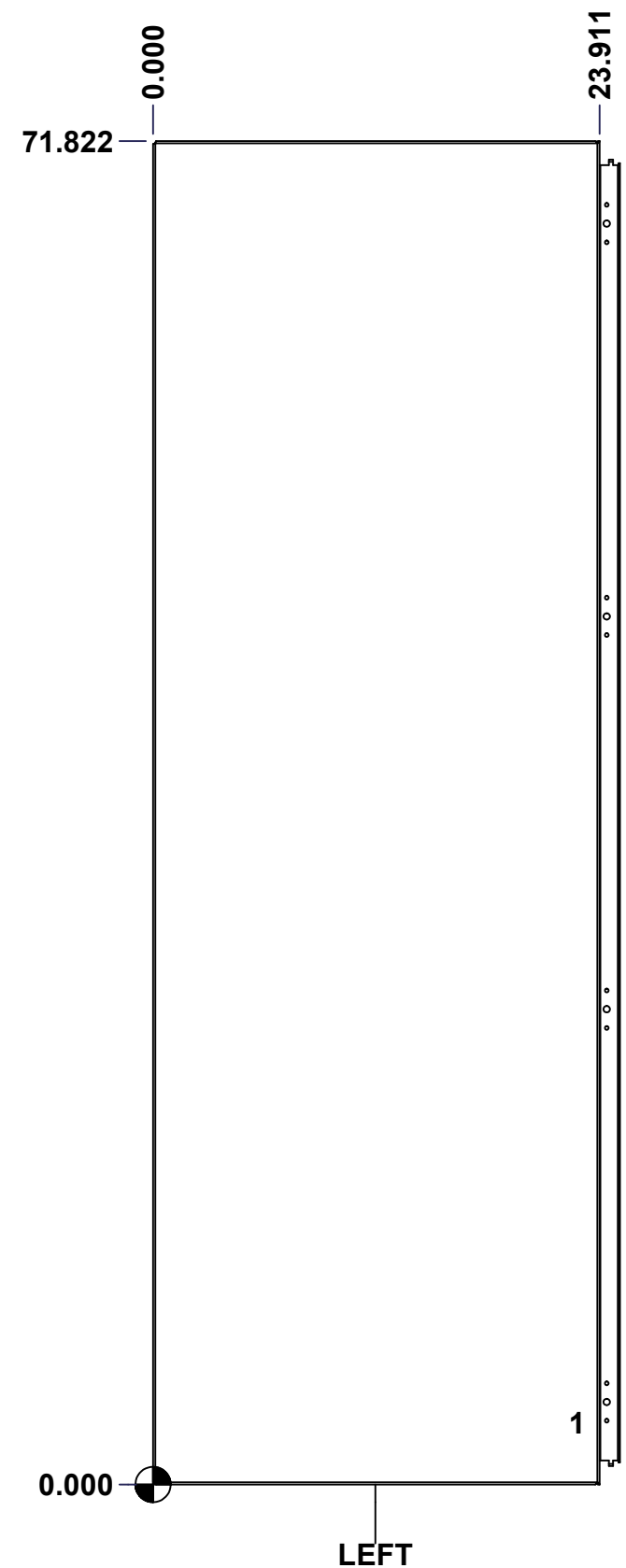
BOTTOM

	Description	Status	
	5500UFD 72" x 73" x 24" Body	Released	
	Part Number Numéro Pièce	Rev.	
	5500UFD727324B	0	4 / 7

This drawing is confidential and must not be reproduced or used without the consent of EXM

Ce dessin est confidentiel et ne doit pas être reproduit ou utilisé sans le consentement de EXM

STANDARD FEATURES ARE NOT LISTED IN THIS HOLE TABLE			
HOLE TABLE - LEFT VIEW (CUSTOM FEATURE ONLY)			
CUT-OUT	XDIM	YDIM	DESCRIPTION
1	22.411	3.286	GND STUD M6 x 16mm (Inside)

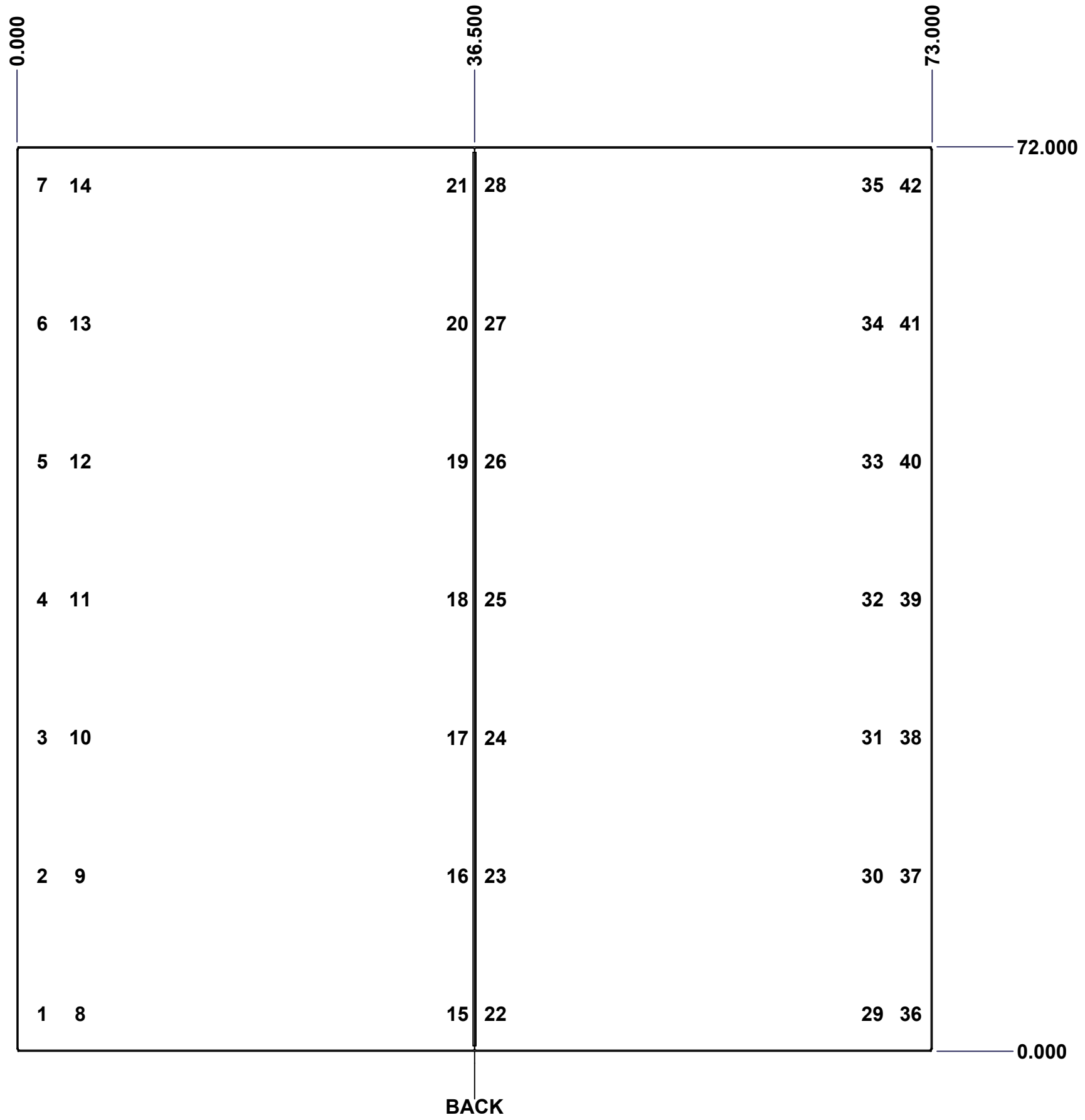


	Description	Status	
	5500UFD 72" x 73" x 24" Body	Released	
	Part Number Numéro Pièce	Rev.	
	5500UFD727324B	0	5 / 7

This drawing is confidential and must not be reproduced or used without the consent of EXM

Ce dessin est confidentiel et ne doit pas être reproduit ou utilisé sans le consentement de EXM

STANDARD FEATURES ARE NOT LISTED IN THIS HOLE TABLE			
HOLE TABLE - BACK VIEW (CUSTOM FEATURE ONLY)			
CUT-OUT	XDIM	YDIM	DESCRIPTION
1	1.730	3.000	STUDS M6 x 18mm (Inside)
2	1.730	14.000	STUDS M6 x 18mm (Inside)
3	1.730	25.000	STUDS M6 x 18mm (Inside)
4	1.730	36.000	STUDS M6 x 18mm (Inside)
5	1.730	47.000	STUDS M6 x 18mm (Inside)
6	1.730	58.000	STUDS M6 x 18mm (Inside)
7	1.730	69.000	STUDS M6 x 18mm (Inside)
8	4.770	3.000	STUDS M6 x 18mm (Inside)
9	4.770	14.000	STUDS M6 x 18mm (Inside)
10	4.770	25.000	STUDS M6 x 18mm (Inside)
11	4.770	36.000	STUDS M6 x 18mm (Inside)
12	4.770	47.000	STUDS M6 x 18mm (Inside)
13	4.770	58.000	STUDS M6 x 18mm (Inside)
14	4.770	69.000	STUDS M6 x 18mm (Inside)
15	34.855	3.000	STUDS M6 x 18mm (Inside)
16	34.855	14.000	STUDS M6 x 18mm (Inside)
17	34.855	25.000	STUDS M6 x 18mm (Inside)
18	34.855	36.000	STUDS M6 x 18mm (Inside)
19	34.855	47.000	STUDS M6 x 18mm (Inside)
20	34.855	58.000	STUDS M6 x 18mm (Inside)
21	34.855	69.000	STUDS M6 x 18mm (Inside)
22	37.895	3.000	STUDS M6 x 18mm (Inside)
23	37.895	14.000	STUDS M6 x 18mm (Inside)
24	37.895	25.000	STUDS M6 x 18mm (Inside)
25	37.895	36.000	STUDS M6 x 18mm (Inside)
26	37.895	47.000	STUDS M6 x 18mm (Inside)
27	37.895	58.000	STUDS M6 x 18mm (Inside)
28	37.895	69.000	STUDS M6 x 18mm (Inside)
29	67.980	3.000	STUDS M6 x 18mm (Inside)
30	67.980	14.000	STUDS M6 x 18mm (Inside)
31	67.980	25.000	STUDS M6 x 18mm (Inside)
32	67.980	36.000	STUDS M6 x 18mm (Inside)
33	67.980	47.000	STUDS M6 x 18mm (Inside)
34	67.980	58.000	STUDS M6 x 18mm (Inside)
35	67.980	69.000	STUDS M6 x 18mm (Inside)
36	71.020	3.000	STUDS M6 x 18mm (Inside)
37	71.020	14.000	STUDS M6 x 18mm (Inside)
38	71.020	25.000	STUDS M6 x 18mm (Inside)
39	71.020	36.000	STUDS M6 x 18mm (Inside)
40	71.020	47.000	STUDS M6 x 18mm (Inside)
41	71.020	58.000	STUDS M6 x 18mm (Inside)
42	71.020	69.000	STUDS M6 x 18mm (Inside)

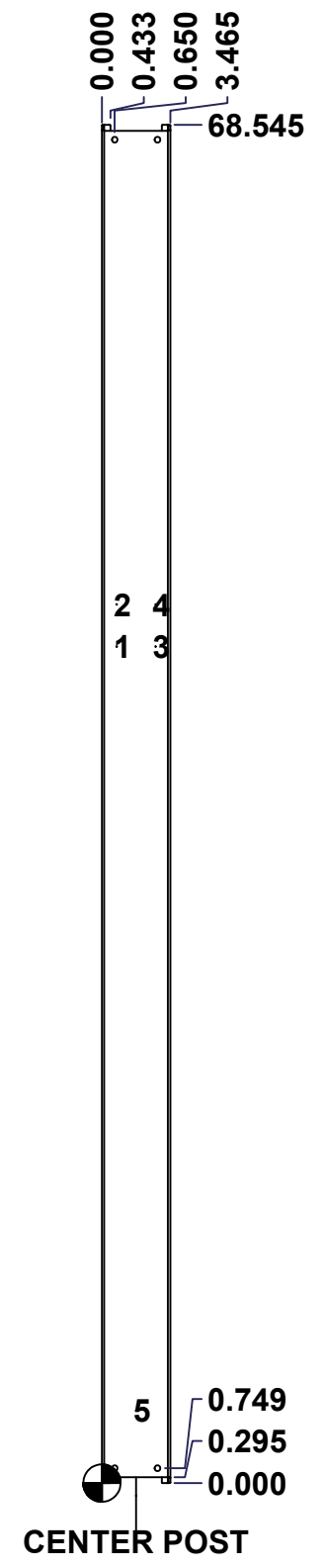


	Description	Status
	5500UFD 72" x 73" x 24" Body	Released
	Part Number	Rev.
	Numéro Pièce	6
	5500UFD727324B	0
		7

This drawing is confidential and must not be reproduced or used without the consent of EXM

Ce dessin est confidentiel et ne doit pas être reproduit ou utilisé sans le consentement de EXM

STANDARD FEATURES ARE NOT LISTED IN THIS HOLE TABLE			
HOLE TABLE - CENTER VIEW (CUSTOM FEATURE ONLY)			
CUT-OUT	XDIM	YDIM	DESCRIPTION
1	0.748	42.220	INTERLOCK STUD M6 x 16mm (Inside)
2	0.748	44.346	INTERLOCK STUD M6 x 16mm (Inside)
3	2.717	42.220	INTERLOCK STUD M6 x 16mm (Inside)
4	2.717	44.346	INTERLOCK STUD M6 x 16mm (Inside)
5	1.732	3.648	GND STUD M6 x 16mm (Inside)



	Description	Status
	5500UFD 72" x 73" x 24" Body	Released
	Part Number Numéro Pièce	Rev.
	5500UFD727324B	0
		6 7

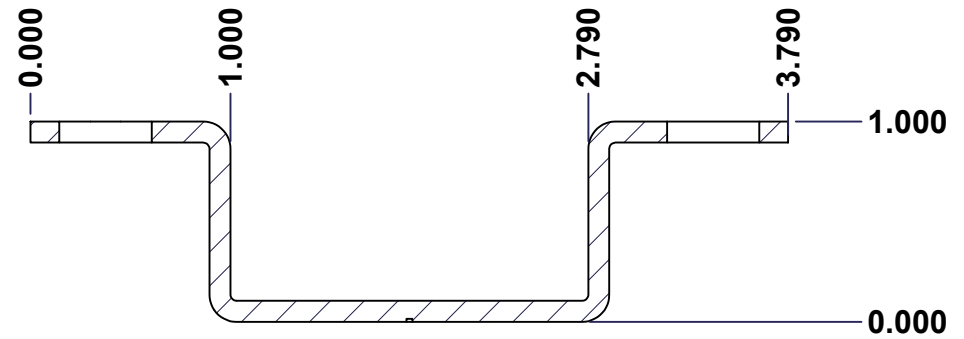
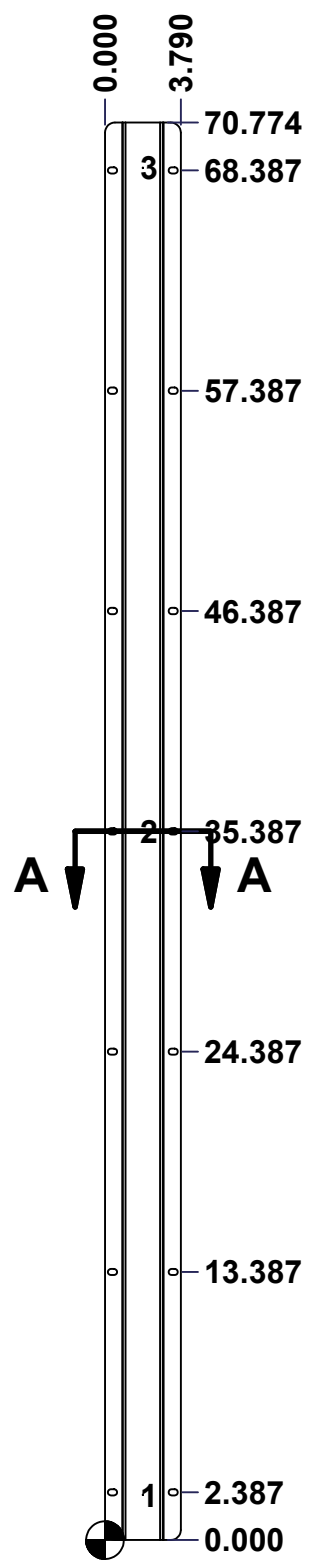
This drawing is confidential and must not be reproduced or used without the consent of EXM

Ce dessin est confidentiel et ne doit pas être reproduit ou utilisé sans le consentement de EXM

STANDARD FEATURES ARE NOT LISTED IN THIS HOLE TABLE

HOLE TABLE - CENTER VIEW (CUSTOM FEATURE ONLY)

CUT-OUT	XDIM	YDIM	DESCRIPTION
1	1.895	2.262	IP STUD M10 x 40mm (Outside)
2	1.895	35.387	IP STUD M10 x 40mm (Outside)
3	1.895	68.512	IP STUD M10 x 40mm (Outside)



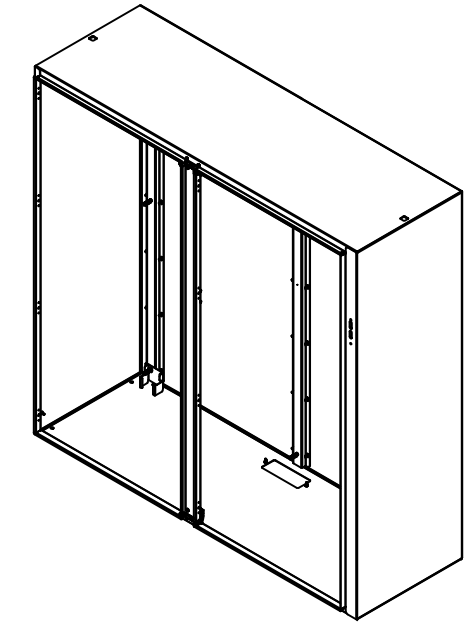
SECTION A-A

	Description	Status	
	5500UFD 72" x 73" x 24" Body	Released	
	Part Number Numéro Pièce	Rev.	
	5500UFD727324B	0	6 7

This drawing is confidential and must not be reproduced or used without the consent of EXM

Ce dessin est confidentiel et ne doit pas être reproduit ou utilisé sans le consentement de EXM

No.	Revisions	Date	By/Par



Isometric View



6	STK-Q-16030	0	Stud M6 x 10mm
1	STK-P-02400S	0	Powder Paint (Asa-61 Grey / Smooth)
1	STK-A-75454	3	Center Post - Sealing Block with Latch Assembly (Large)
1	5500UFD727324CP-P	0	5500UFD 72" Center Post Part
8	STK-Q-16100	0	Stud M10 x 40mm
2	STK-Q-07320	0	Flange Lock Nut M10
2	STK-Q-07618	1	5500 Series Inner Panel Support Bracket
3	5500UFD727324POST-P	0	5500UFD 72" IP Post Part
1	5500UFD727324BT-P	0	5500UFD 73" x 24" Bottom Part
1	5500UFD727324T-P	0	5500UFD 73" x 24" Top Part
1	5500UFD727324RS-P	0	5500UFD 72" x 73" Right Part
1	5500UFD727324LS-P	0	5500UFD 72" x 73" Left Part
1	5500UFD727324BR-P	0	5500UFD 72" x 73" Back Right Part
1	5500UFD727324BL-P	0	5500UFD 72" x 73" Back Left Part
2	CR400MS_27.5	0	Commercial Roll Mild Steel (27.5in long)
48	STK-Q-07220	1	M6 Nylon Insert Lock Nut
46	STK-Q-16055	1	M6 x 18mm Stud (No Paint Cap Required)
4	STK-Q-16080	0	Ground Stud M6 x 16mm
Qty	Part Number	Rev	Description
Parts List			

	Tél: (450) 979-4373 Fax: (450) 979-4626 www.exmweb.com	Flatness Aplatissement
		Max 3.0mm
Projection		
Customer Client	Date	
Drawn By Dessiné Par	BoxCad: BoxCad	Date 3/18/2016
Material Matière	12 Ga Cold Rolled A1008 CS Type B (2.5mm)	
Color Couleur	Asa-61 Grey	Finish Fini Smooth
Description	5500UFD 72" x 73" x 24" Body	
Part Number Numéro Pièce	Rev. 0	2
5500UFD727324B		2

This drawing is confidential and must not be reproduced or used without the consent of EXM

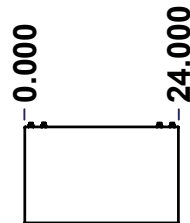
Ce dessin est confidentiel et ne doit pas être reproduit ou utilisé sans le consentement de EXM



TOP



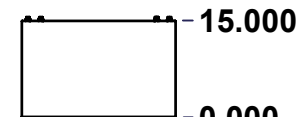
BACK



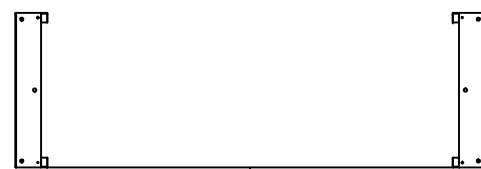
LEFT



FRONT

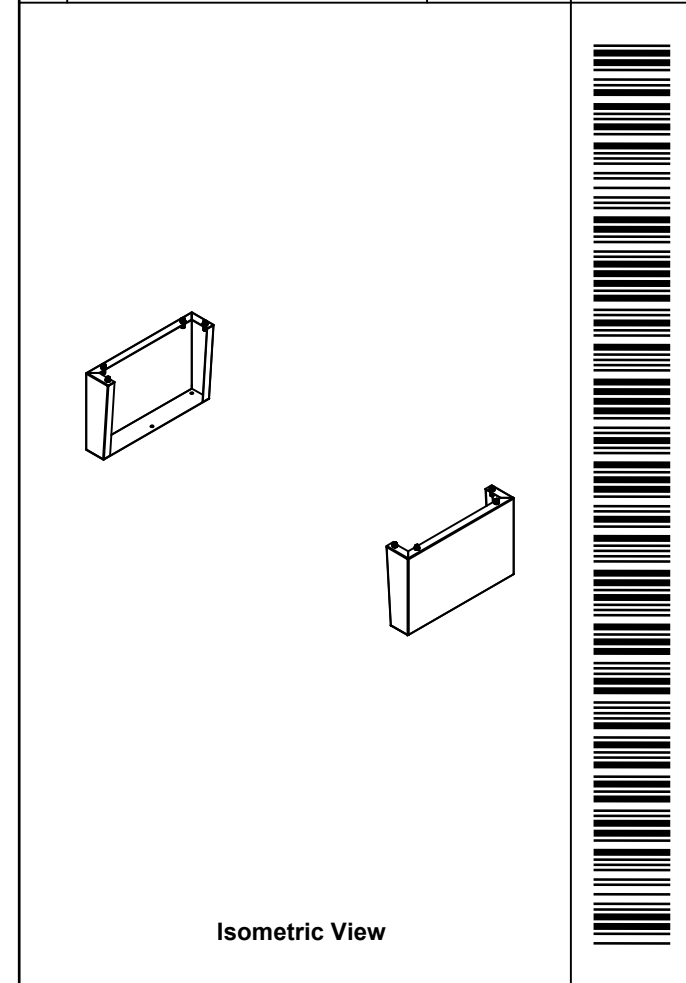


RIGHT



BOTTOM

No.	Revisions	Date	By/Par



Isometric View

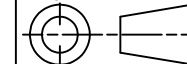


Tél: (450) 979-4373
 Fax: (450) 979-4626
www.exmweb.com

Flatness
Aplatissement

Max 3.0mm

Projection



Customer Client	Date
Drawn By / Dessiné Par: BoxCad: BoxCad	Date: 3/18/2016
Material / Matière: 12 Ga Cold Rolled A1008 CS Type B (2.5mm)	
Color / Couleur: Asa-61 Grey	Finish / Fini: Smooth
Description: 885 MFHD 15" x 24" Mounting Feet	Detail Rev.
Part Number / Numéro Pièce: 5500UFD727324MF	Rev. 0

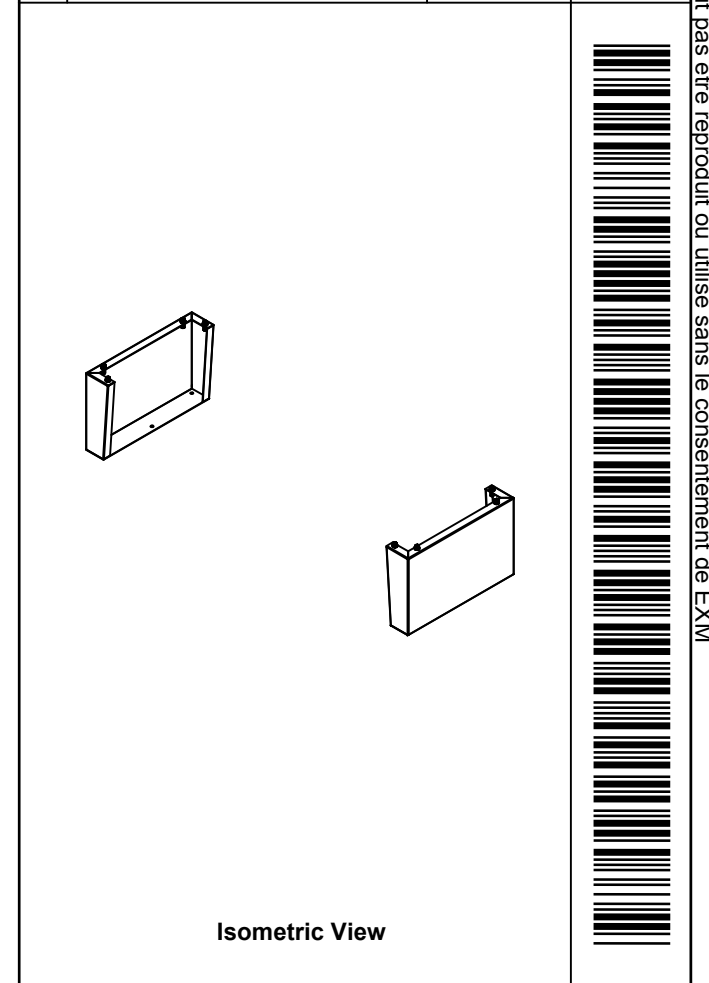
SEE BILL OF MATERIAL ON LAST PAGE

1/4


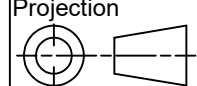
This drawing is confidential and must not be reproduced or used without the consent of EXM

Ce dessin est confidentiel et ne doit pas être reproduit ou utilisé sans le consentement de EXM

No.	Revisions	Date	By/Par



Isometric View

 Tél: (450) 979-4373 Fax: (450) 979-4626 www.exmweb.com		Flatness Aplatissement Max 3.0mm Projection 
Customer Client	Date	
Drawn By Dessiné Par	BoxCad: BoxCad	Date 3/18/2016
Material Matière	12 Ga Cold Rolled A1008 CS Type B (2.5mm)	
Color Couleur	Asa-61 Grey	Finish Fini Smooth
Description		Detail Rev.
885 MFHD 15" x 24" Mounting Feet		
Part Number Numéro Pièce	Rev.	4
5500UFD727324MF	0	4

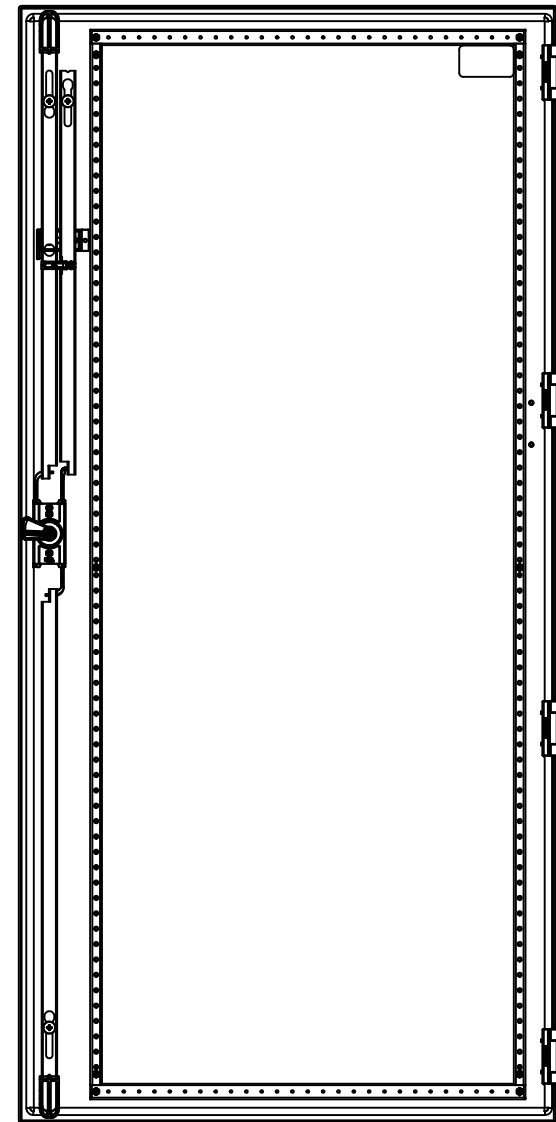
Qty	Part Name	Rev	Description
1	STK-P-02400S	0	Powder Paint (Asa-61 Grey / Smooth)
8	RIVET_NUT_M10_FH_CE	0	Rivet Nut M10 (Low Profile Close End)
1	5500UFD727324MFR-P	0	885 MFHD 15" x 24" Right Mounting Feet Part
1	5500UFD727324MFL-P	0	885 MFHD 15" x 24" Left Mounting Feet Part
1	STK-K-11600	2	885 MF Accessory Kit
Parts List			

This drawing is confidential and must not be reproduced or used without the consent of EXM

Ce dessin est confidentiel et ne doit pas être reproduit ou utilisé sans le consentement de EXM



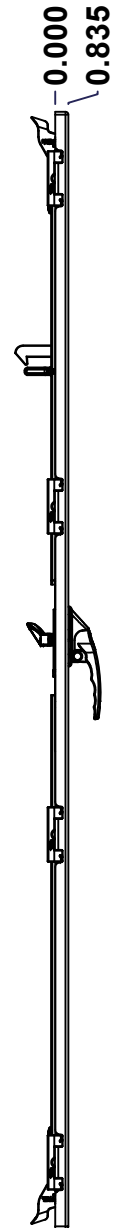
TOP



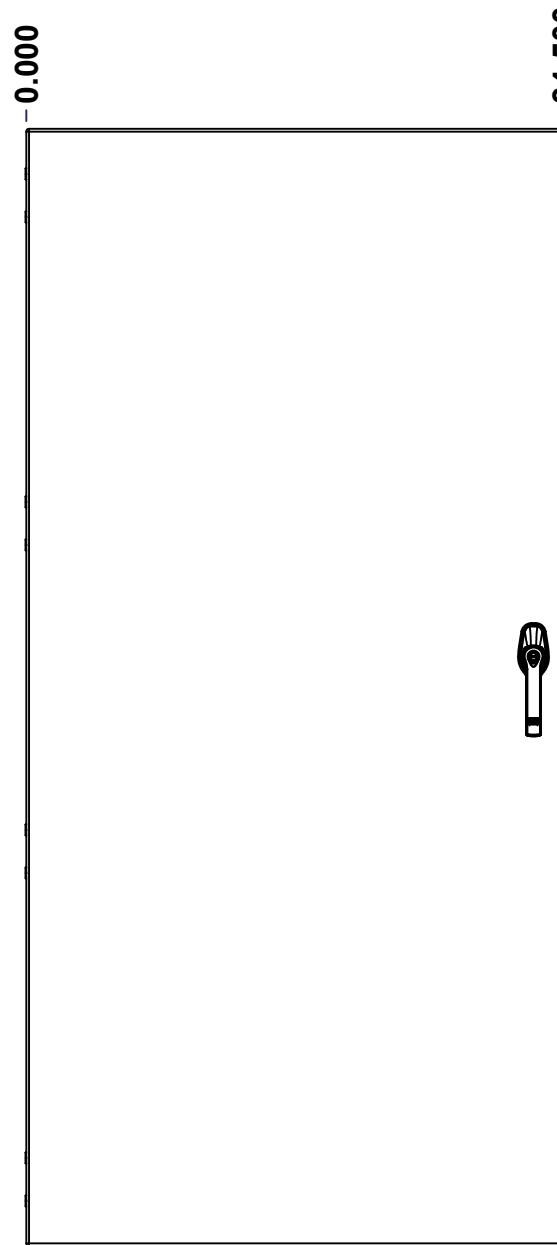
BACK



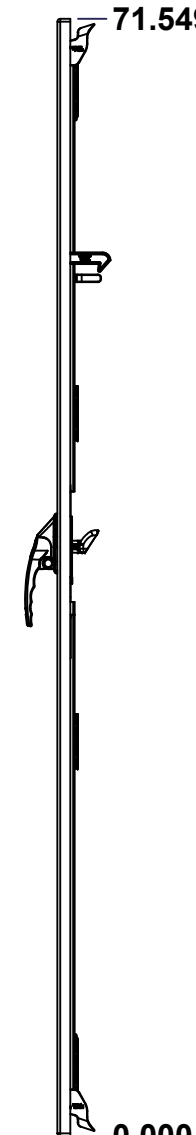
BOTTOM



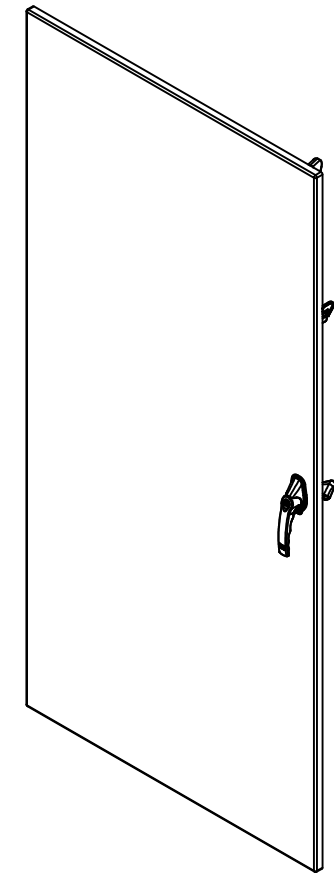
LEFT



FRONT



RIGHT



Isometric View

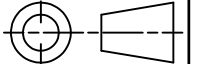


Tél: (450) 979-4373
 Fax: (450) 979-4626
www.exmweb.com

Flatness
Aplatissement

Max 3.0mm

Projection



Customer Client	Date
Drawn By / Dessiné Par: BoxCad: BoxCad	Date: 3/18/2016
Material / Matière: 12 Ga Cold Rolled A1008 CS Type B (2.5mm)	
Color / Couleur: Asa-61 Grey	Finish / Fini: Smooth
Description: 5500UFD 72" x 73" Lock Door	Detail Rev.
Part Number / Numéro Pièce: 5500UFD727324LD	Rev. 1 0

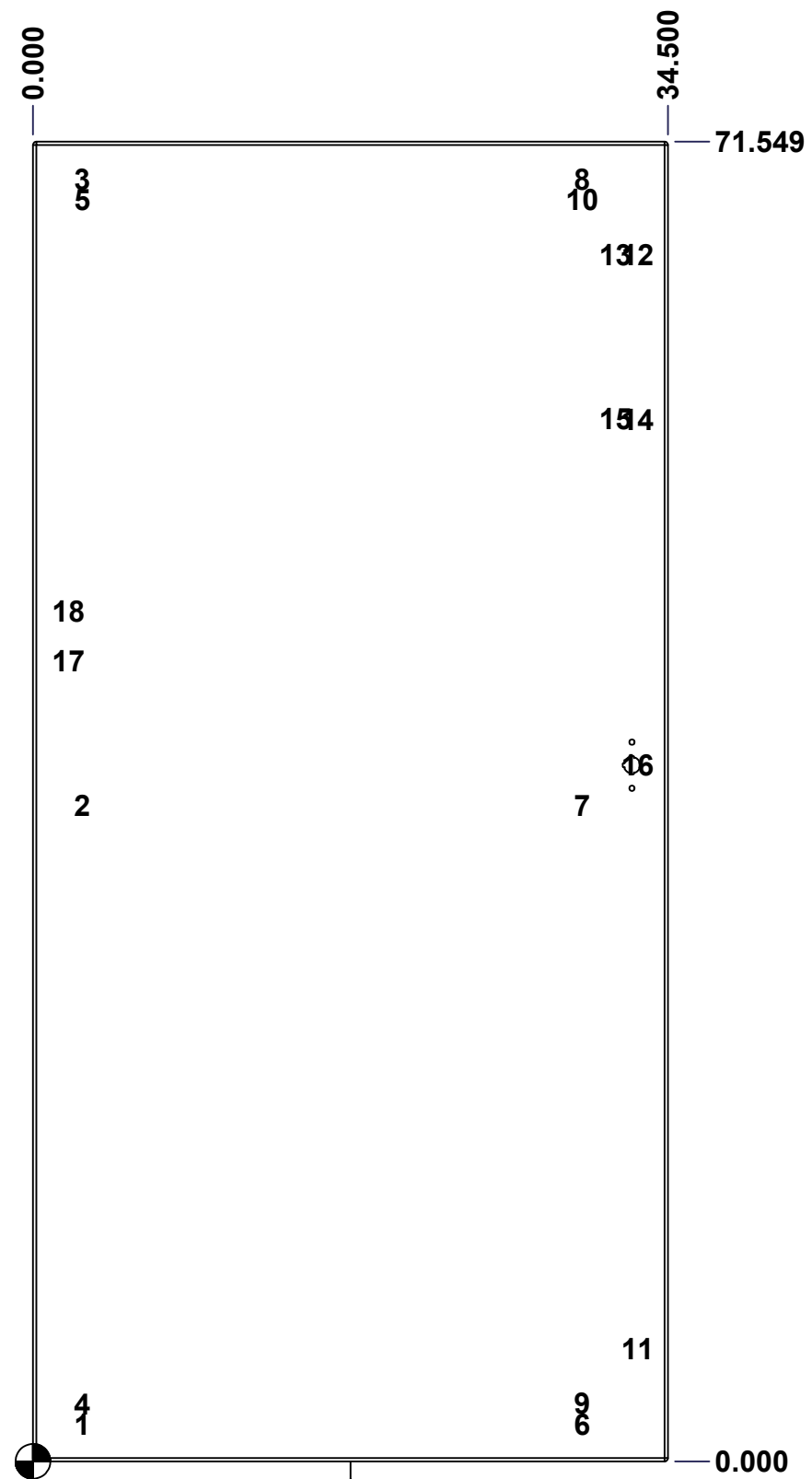
SEE BILL OF MATERIAL ON LAST PAGE

This drawing is confidential and must not be reproduced or used without the consent of EXM

Ce dessin est confidentiel et ne doit pas être reproduit ou utilisé sans le consentement de EXM

STANDARD FEATURES ARE NOT LISTED IN THIS HOLE TABLE			
HOLE TABLE - FRONT VIEW (CUSTOM FEATURE ONLY)			
CUT-OUT	XDIM	YDIM	DESCRIPTION
1	2.375	2.028	STUD M6 x 18mm (Inside)
2	2.375	35.580	STUD M6 x 18mm (Inside)
3	2.375	69.521	STUD M6 x 18mm (Inside)
4	2.375	3.139	STUD M6 x 18mm (Inside)
5	2.375	68.409	STUD M6 x 18mm (Inside)
6	29.544	2.028	STUD M6 x 18mm (Inside)
7	29.544	35.580	STUD M6 x 18mm (Inside)
8	29.544	69.521	STUD M6 x 18mm (Inside)
9	29.544	3.139	STUD M6 x 18mm (Inside)
10	29.544	68.409	STUD M6 x 18mm (Inside)
11	32.544	6.118	STUD M6 x 18mm (Inside)
12	32.544	65.430	STUD M6 x 18mm (Inside)
13	31.357	65.430	STUD M6 x 18mm (Inside)
14	32.544	56.525	STUD M6 x 18mm (Inside)
15	31.357	56.525	STUD M6 x 18mm (Inside)

16	32.544	37.743	HANDLE 885 ESL2A-APHD @ 0.0°
17	1.625	43.445	STUDS M6 x 18mm (Inside)
18	1.625	46.123	STUDS M6 x 18mm (Inside)



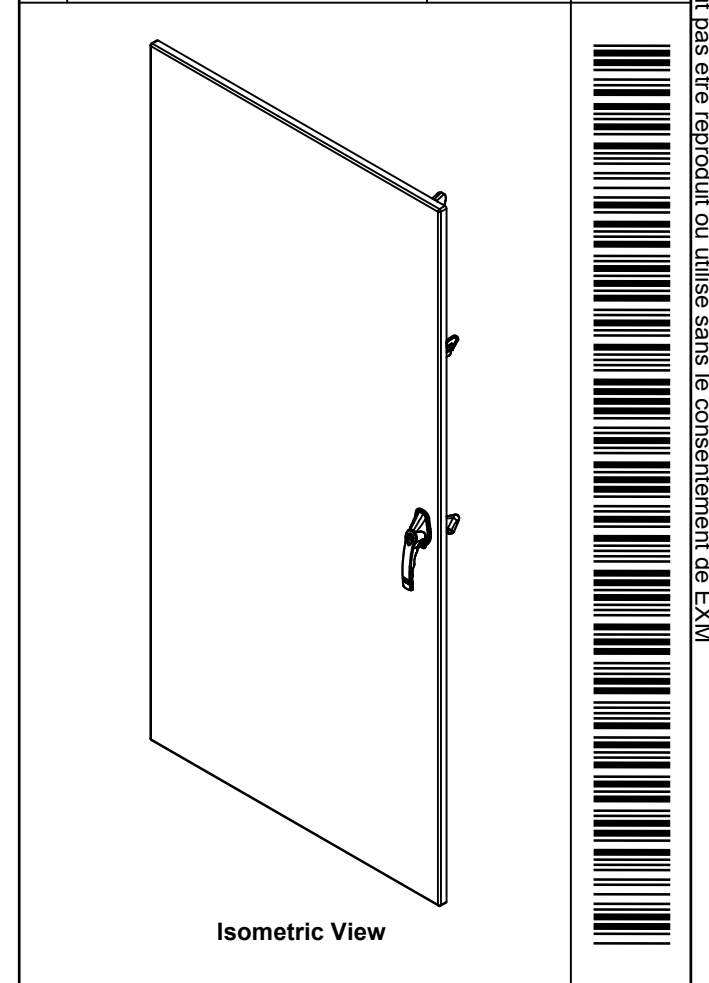
FRONT

	Description	Status
	5500UFD 72" x 73" Lock Door	(NULL)
	Part Number Numéro Pièce	Rev.
	5500UFD727324LD	0
		2
		3


This drawing is confidential and must not be reproduced or used without the consent of EXM

Ce dessin est confidentiel et ne doit pas être reproduit ou utilisé sans le consentement de EXM

No.	Revisions	Date	By/Par

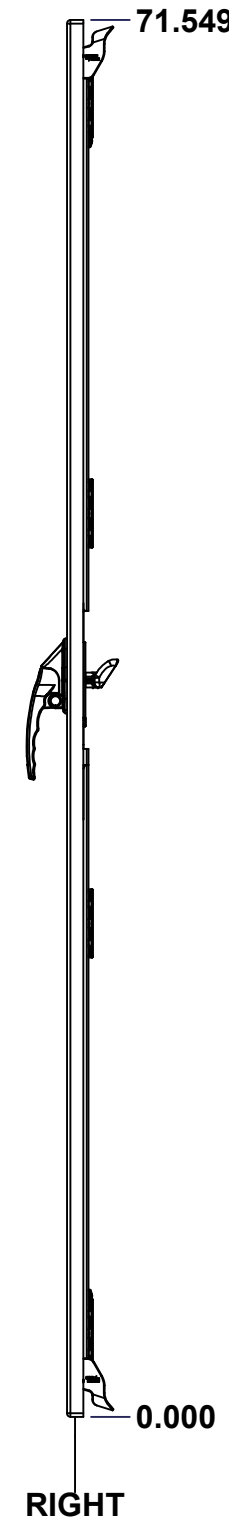
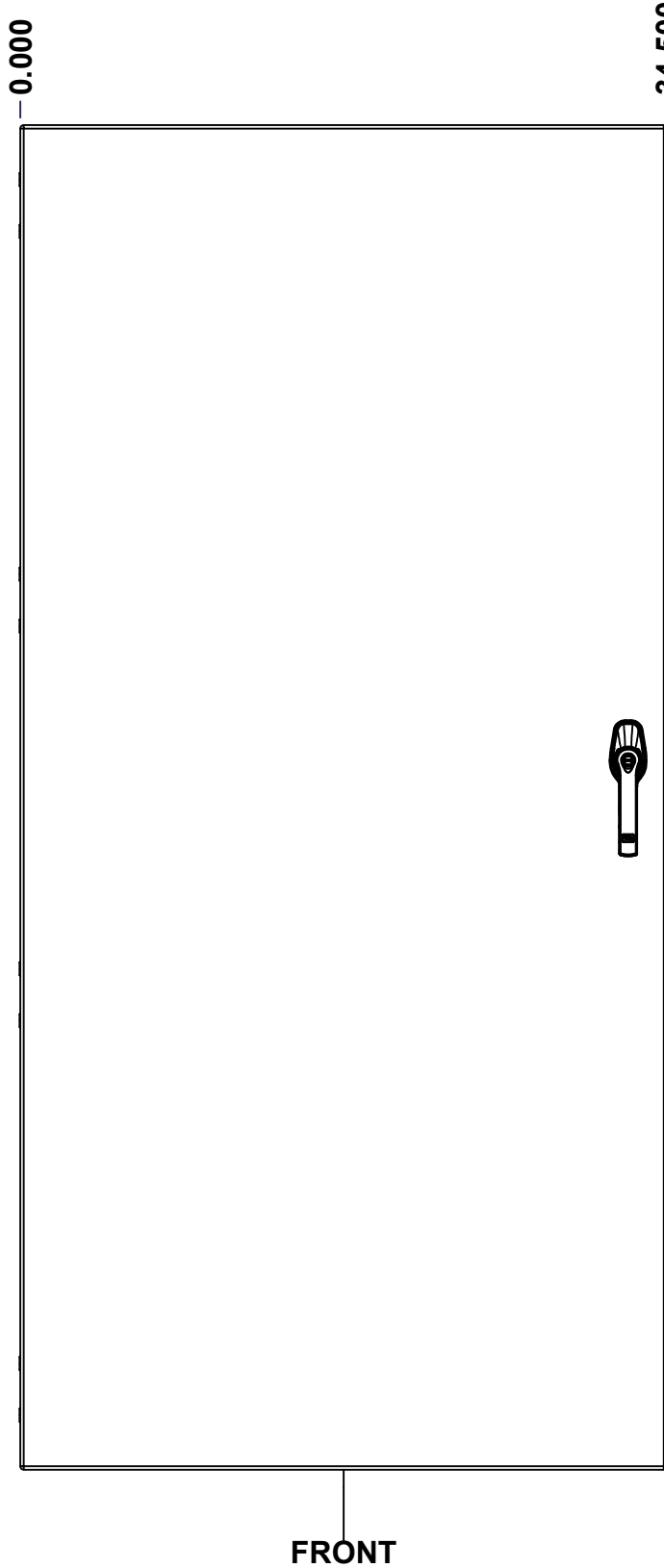
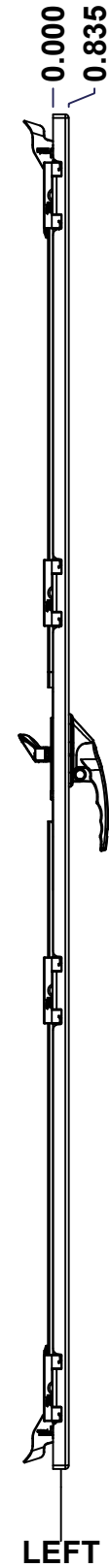
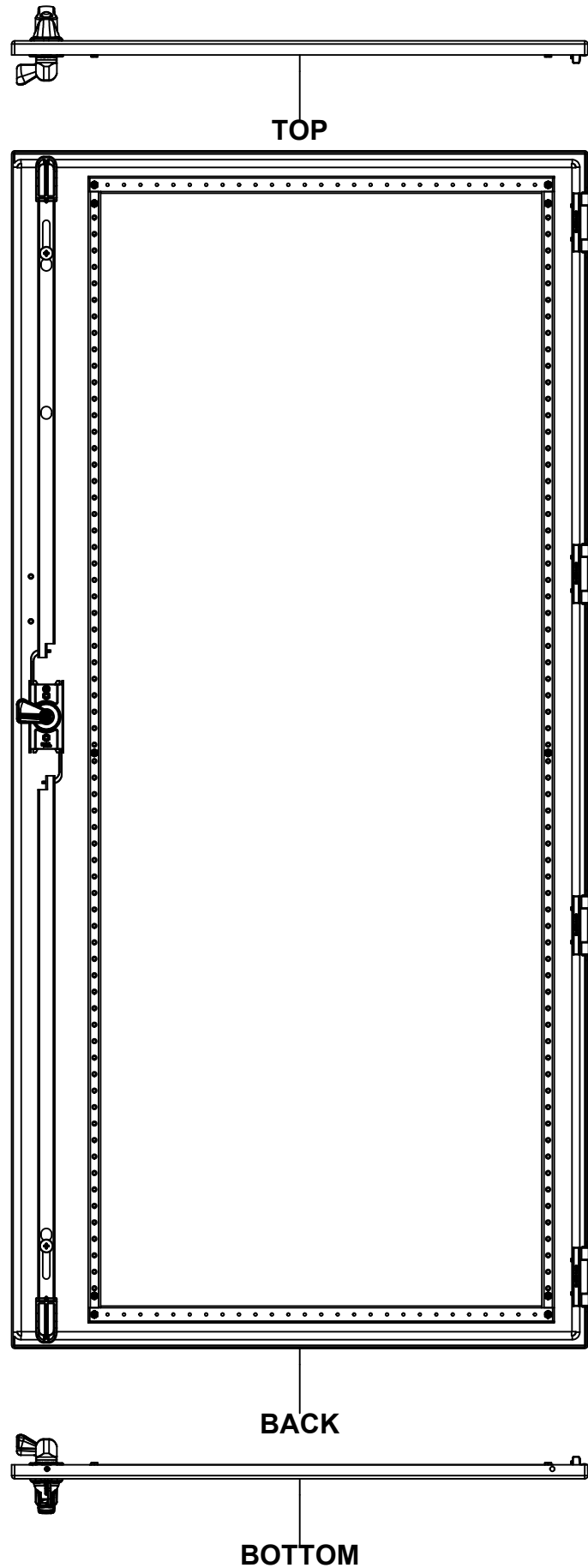


1	5500UFD727324DB_ESY	0	5500UFD 72" Disconnect Defeater Bar
1	5500UFD727324CB	0	5500UFD 72" Closing Bar
1	5500UFD727324CB_ESY	0	5500UFD 72" Disconnect Closing Bar
1	STK-K-03895-36	3	Gearbox Clockwise Assembly (Grip 36mm)
1	885ESL2A-APHD	0	885 ESL2A-APHD - Zinc Die Cast L-Handle Padlockable Assy - Slot Cylinder
1	STK-P-02400S	0	Powder Paint (Asa-61 Grey / Smooth)
1	STK-S-00100	0	3.5" x 2" Silver Milar Flexcon Sticker
1	STK-Q-07220	1	M6 Nylon Insert Lock Nut
1	STK-Q-13060	1	M6 Flat Washer
1	5500UFD727324LDG	0	5500UFD 72" x 73" Lock Door Gasket
1	STK-Q-46600	3	5500 ESY Disconnect Door Hook
1	5500UFD727324DS1	0	5500UFD 72" x 73" Door Stiffener
1	5500UFD727324LD-P	0	5500UFD 72" x 73" Lock Door Part
4	STK-K-09860	7	Cabinet Hinge with Captive Pins
17	STK-Q-16055	1	M6 x 18mm Stud (No Paint Cap Required)
Qty	Part Name	Rev	Description
Parts List			

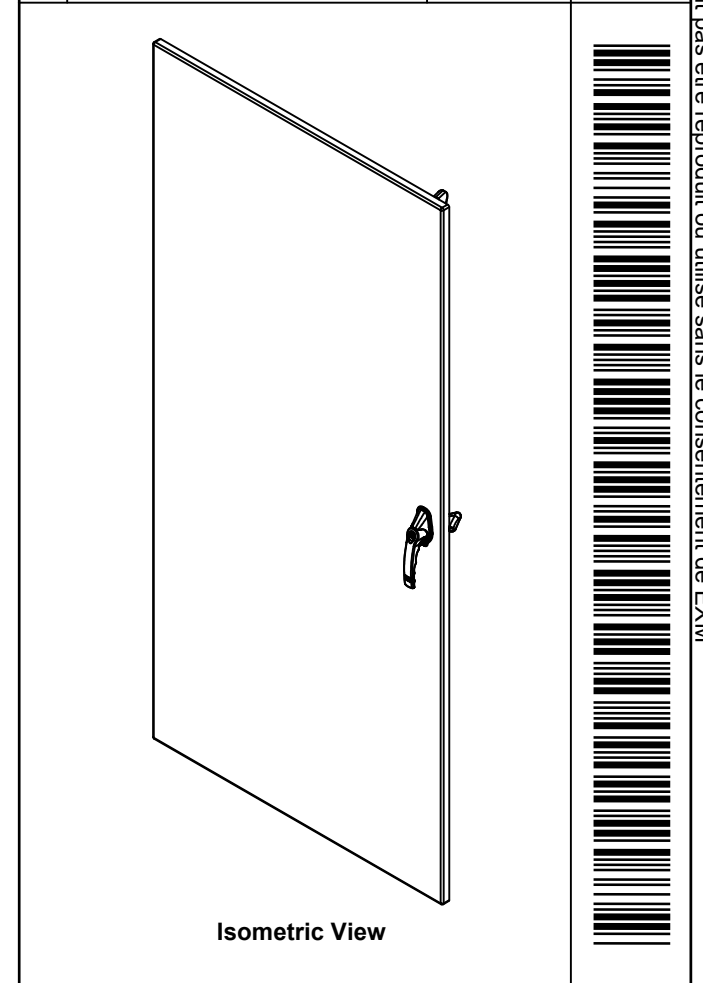
 Tél: (450) 979-4373 Fax: (450) 979-4626 www.exmweb.com		Flatness Aplatissement	
		Max 3.0mm	
Customer Client		Date	
Drawn By Dessiné Par		Date 3/18/2016	
Material Matière		12 Ga Cold Rolled A1008 CS Type B (2.5mm)	
Color Couleur		Asa-61 Grey	
Finish Fini		Smooth	
Description			Detail Rev.
5500UFD 72" x 73" Lock Door			
Part Number Numéro Pièce		Rev.	3
5500UFD727324LD		0	3


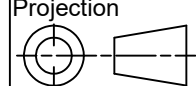
This drawing is confidential and must not be reproduced or used without the consent of EXM

Ce dessin est confidentiel et ne doit pas être reproduit ou utilisé sans le consentement de EXM



No.	Revisions	Date	By/Par



 Tél: (450) 979-4373 Fax: (450) 979-4626 www.exmweb.com		Flatness Aplatissement Max 3.0mm Projection 
Customer Client	Date	
Drawn By Dessiné Par	BoxCad: BoxCad	Date 3/18/2016
Material Matière	12 Ga Cold Rolled A1008 CS Type B (2.5mm)	
Color Couleur	Asa-61 Grey	Finish Fini Smooth
Description 5500UFD 72" x 73" Lock Door		Detail Rev.
Part Number Numéro Pièce	Rev. 0	1 3

SEE BILL OF MATERIAL ON LAST PAGE

5500UFD727324FD

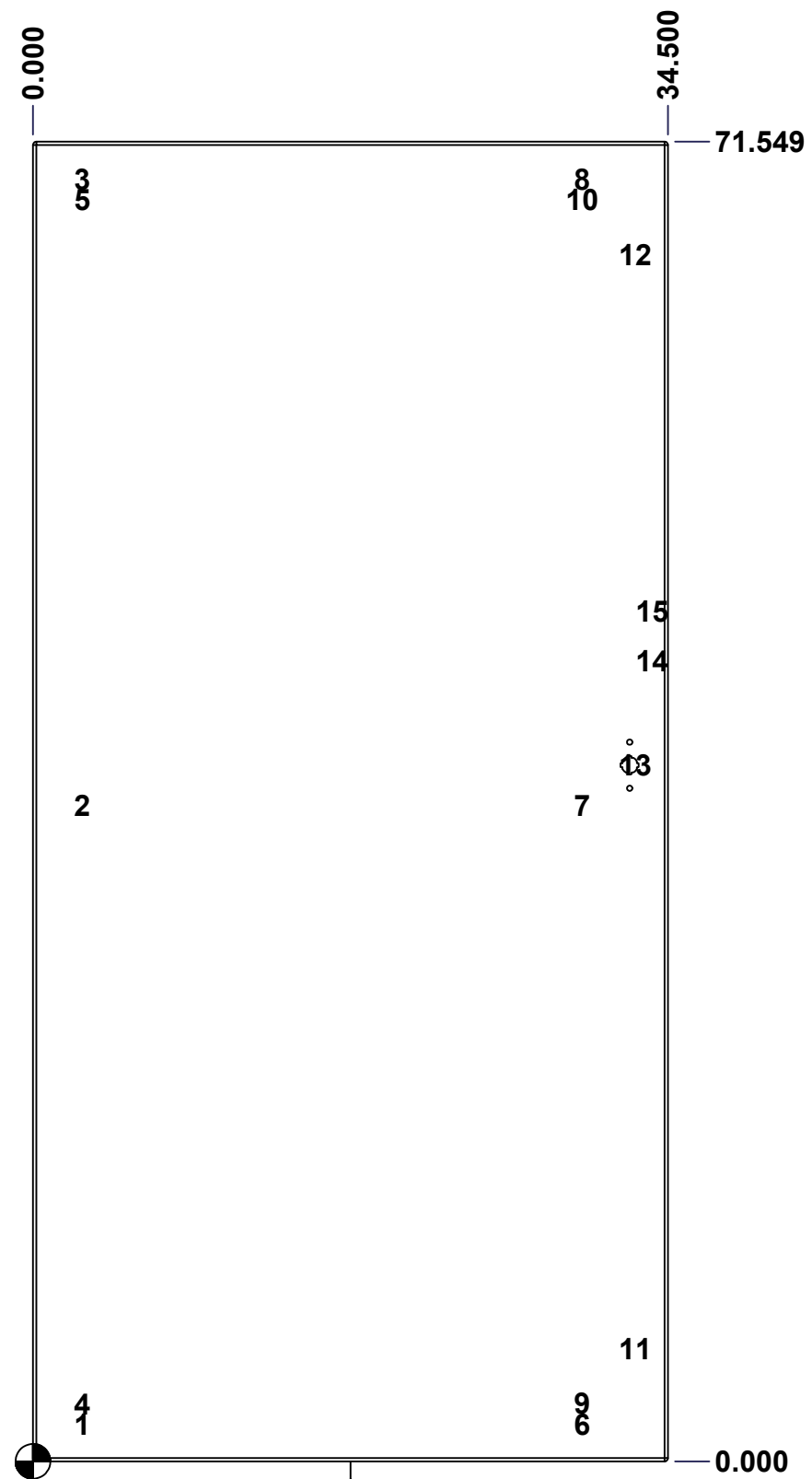
This drawing is confidential and must not be reproduced or used without the consent of EXM

Ce dessin est confidentiel et ne doit pas être reproduit ou utilisé sans le consentement de EXM

STANDARD FEATURES ARE NOT LISTED IN THIS HOLE TABLE

HOLE TABLE - FRONT VIEW (CUSTOM FEATURE ONLY)

CUT-OUT	XDIM	YDIM	DESCRIPTION
1	2.375	2.028	STUD M6 x 18mm (Inside)
2	2.375	35.581	STUD M6 x 18mm (Inside)
3	2.375	69.521	STUD M6 x 18mm (Inside)
4	2.375	3.139	STUD M6 x 18mm (Inside)
5	2.375	68.409	STUD M6 x 18mm (Inside)
6	29.544	2.028	STUD M6 x 18mm (Inside)
7	29.544	35.581	STUD M6 x 18mm (Inside)
8	29.544	69.521	STUD M6 x 18mm (Inside)
9	29.544	3.139	STUD M6 x 18mm (Inside)
10	29.544	68.409	STUD M6 x 18mm (Inside)
11	32.419	6.118	CLOSING BAR GUIDE (Inside)
12	32.419	65.430	CLOSING BAR GUIDE (Inside)
-----	-----	-----	-----
13	32.419	37.743	HANDLE 885 ESL2A-APHD @ 0.0°
14	33.347	43.445	STUDS M6 x 18mm (Inside)
15	33.347	46.123	STUDS M6 x 18mm (Inside)



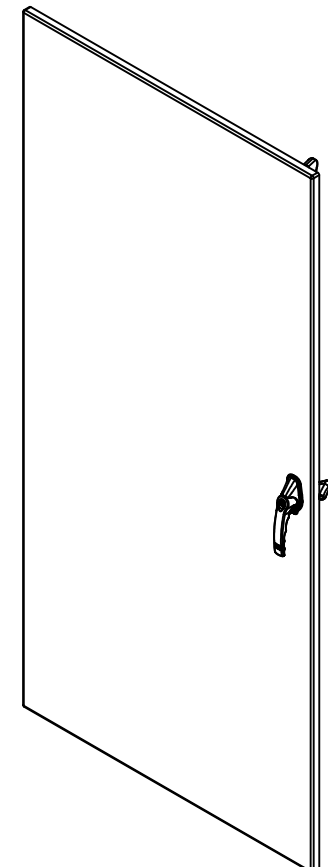
FRONT

	Description	Status
	5500UFD 72" x 73" Lock Door	(NULL)
	Part Number Numéro Pièce	Rev.
	5500UFD727324FD	0
		2
		3


This drawing is confidential and must not be reproduced or used without the consent of EXM


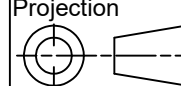
Ce dessin est confidentiel et ne doit pas être reproduit ou utilisé sans le consentement de EXM

No.	Revisions	Date	By/Par



Isometric View



		Tél: (450) 979-4373 Fax: (450) 979-4626 www.exmweb.com		Flatness Aplatissement Max 3.0mm Projection 	
Customer Client			Date		
Drawn By Dessiné Par		BoxCad: BoxCad		Date 3/18/2016	
Material Matière			12 Ga Cold Rolled A1008 CS Type B (2.5mm)		
Color Couleur		Asa-61 Grey		Finish Fini Smooth	
Description					Detail Rev.
5500UFD 72" x 73" Lock Door					
Part Number Numéro Pièce			Rev.		3
5500UFD727324FD			0		3

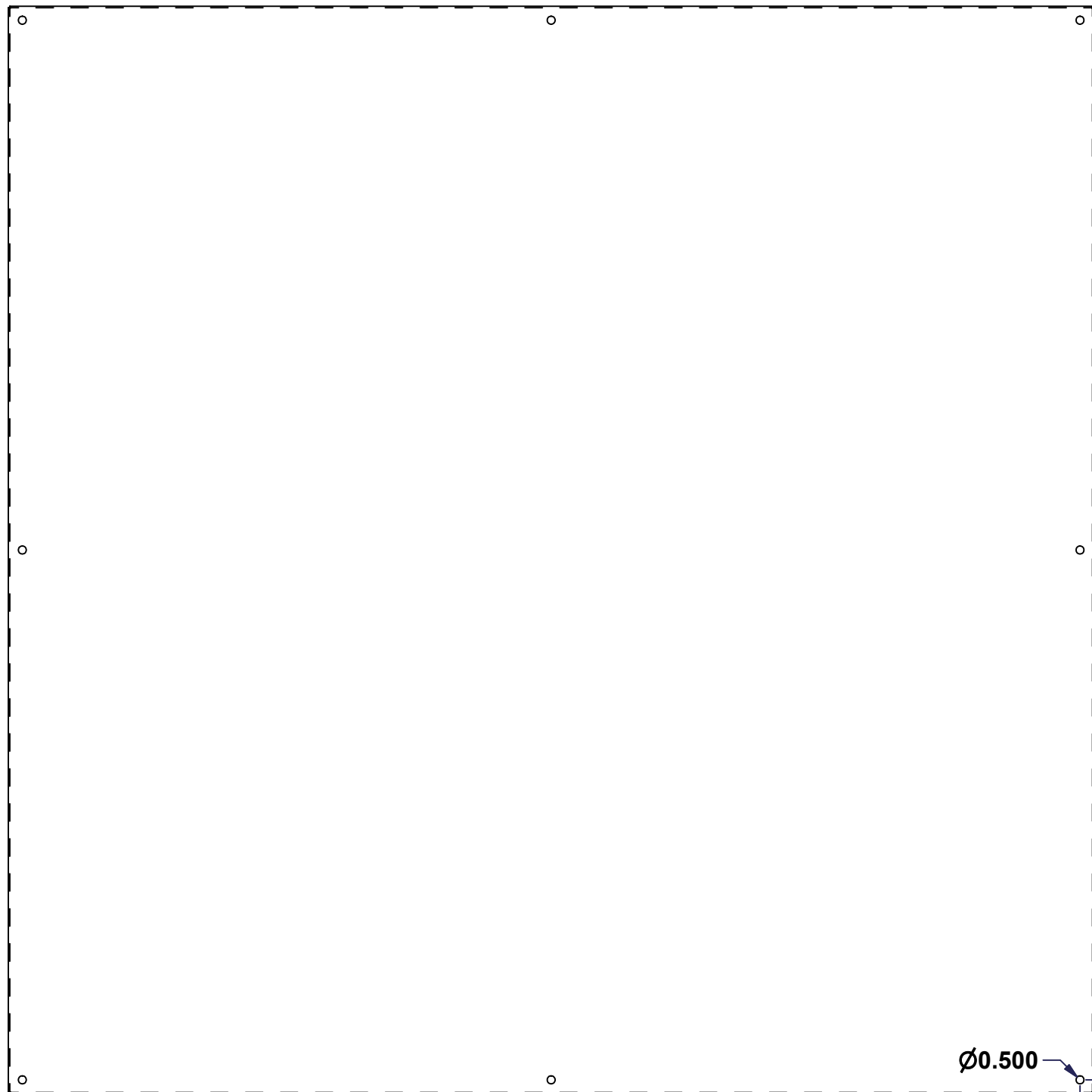
Qty	Part Name	Rev	Description
1	5500UFD727324CB	0	5500UFD 72" Closing Bar
1	5500UFD727324CB2ESY	0	5500UFD 72" Disconnect Closing Bar
1	STK-A-03880-36	12	Gearbox Clockwise Assembly (Grip 36mm)
1	885ESL2A-APHD	0	885 ESL2A-APHD - Zinc Die Cast L-Handle Padlockable Assy - Slot Cylinder
1	5500UFD727324FDG	0	5500UFD 72" x 73" Flange Door Gasket
1	STK-P-02400S	0	Powder Paint (Asa-61 Grey / Smooth)
1	5500UFD727324DS1	0	5500UFD 72" x 73" Door Stiffener
1	5500UFD727324FD-P	0	5500UFD 72" x 73" Lock Door Part
4	STK-K-09860	7	Cabinet Hinge with Captive Pins
14	STK-Q-16055	1	M6 x 18mm Stud (No Paint Cap Required)
Parts List			

This drawing is confidential and must not be reproduced or used without the consent of EXM

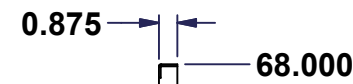
Ce dessin est confidentiel et ne doit pas être reproduit ou utilisé sans le consentement de EXM



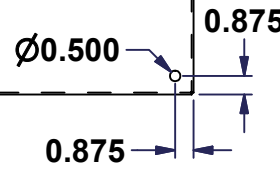
TOP



FRONT



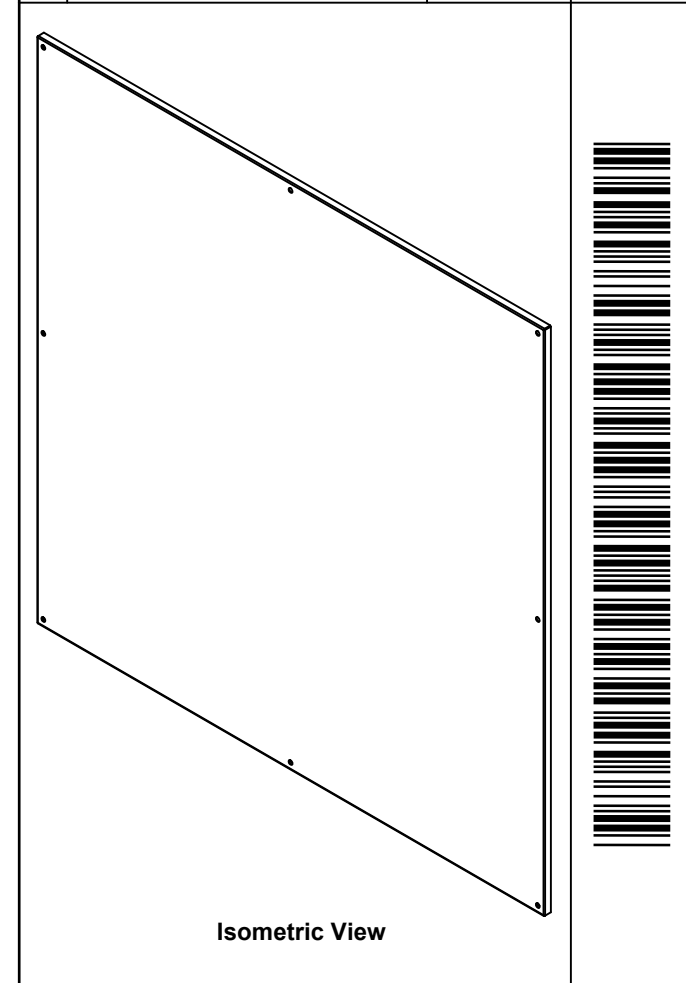
RIGHT




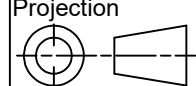
0.000

SEE BILL OF MATERIAL ON LAST PAGE

No.	Revisions	Date	By/Par



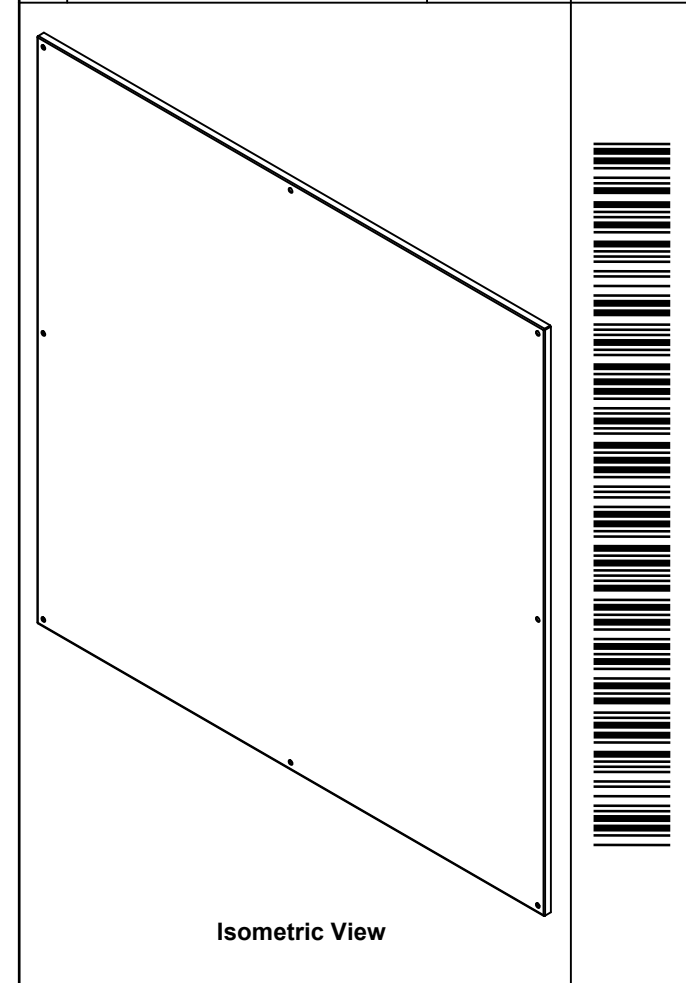
Isometric View


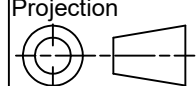
 Tél: (450) 979-4373 Fax: (450) 979-4626 www.exmweb.com		Flatness Aplatissement Max 3.0mm Projection 
Customer Client	Date	
Drawn By Dessiné Par	BoxCad	Date 04/11/2009
Material Matière	12 Ga Galvanized (2.5mm)	
Color Couleur	Unpainted	Finish Fini Unpainted
Description	Detail Rev.	
885 SP7272G Inner Panel		
Part Number Numéro Pièce	Rev. 0	1 2
885SP7272G		

This drawing is confidential and must not be reproduced or used without the consent of EXM

Ce dessin est confidentiel et ne doit pas être reproduit ou utilisé sans le consentement de EXM

No.	Revisions	Date	By/Par



 Tél: (450) 979-4373 Fax: (450) 979-4626 www.exmweb.com		Flatness Aplatissement Max 3.0mm Projection 
Customer Client	Date	
Drawn By Dessiné Par	BoxCad	Date 04/11/2009
Material Matière 12 Ga Galvanized (2.5mm)		
Color Couleur	Unpainted	Finish Fini Unpainted
Description 885 SP7272G Inner Panel		Detail Rev.
Part Number Numéro Pièce	885SP7272G	Rev. 2
		0

Qty	Part Number	Rev	Description
1	885SP7272G-P	0	885 SP7272G Inner Panel Part
Parts List			