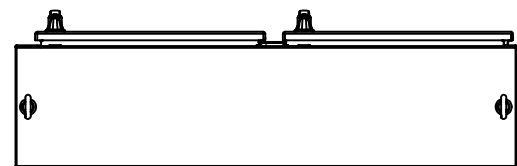
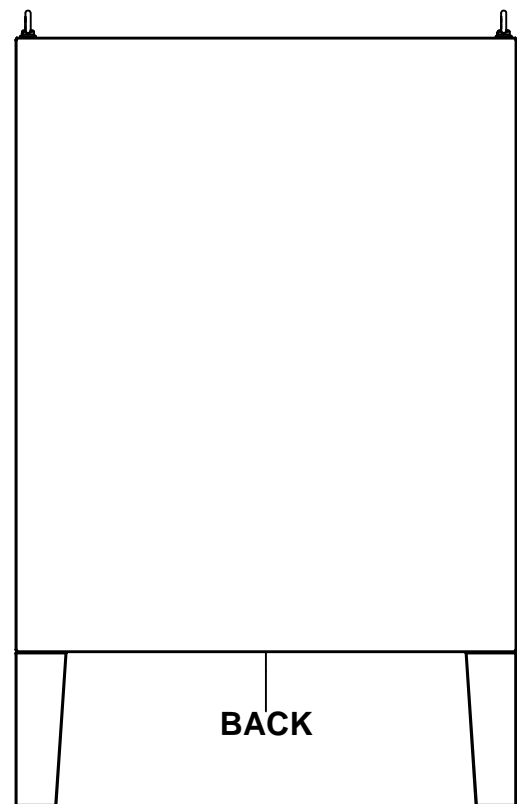


This drawing is confidential and must not be reproduced or used without the consent of EXM

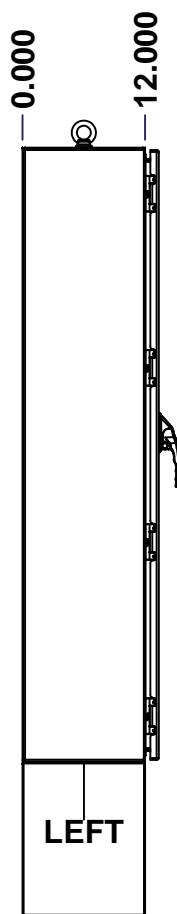
Ce dessin est confidentiel et ne doit pas être reproduit ou utilisé sans le consentement de EXM



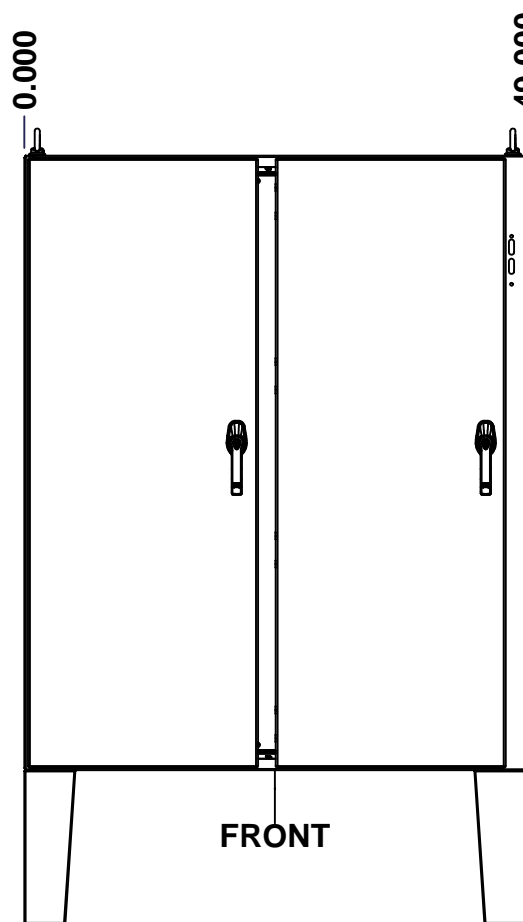
TOP



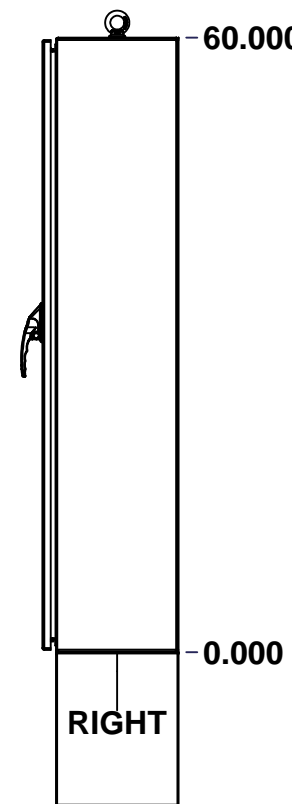
BACK



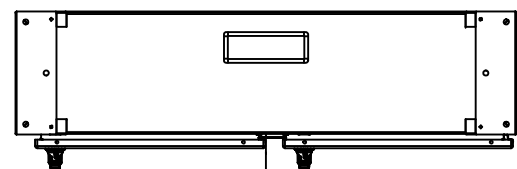
LEFT



FRONT

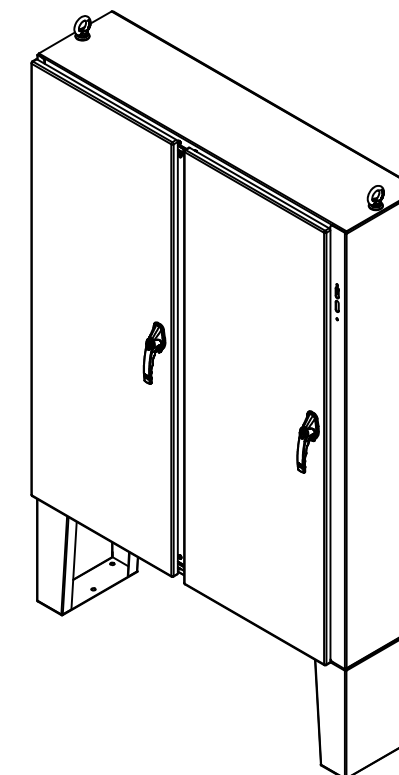


RIGHT



BOTTOM

No.	Revisions	Date	By/Par



Isometric View



Tél: (450) 979-4373  
 Fax: (450) 979-4626  
[www.exmweb.com](http://www.exmweb.com)

Flatness  
Aplatissement

Max 3.0mm

Projection



Customer Client	Date
Drawn By / Dessiné Par: BoxCad: BoxCad	Date: 25-Mar-16

Material / Matière: 12 Ga Stainless Steel 304 (2.5mm)

Color / Couleur: Asa-61 Grey      Finish / Fini: Smooth

Description: 5500UFDSS 60" x 49" x 12" Assembly      Detail Rev.

Part Number / Numéro Pièce: 5500UFDSS604912	Rev. 1
SEE BILL OF MATERIAL ON LAST PAGE	Rev. 0

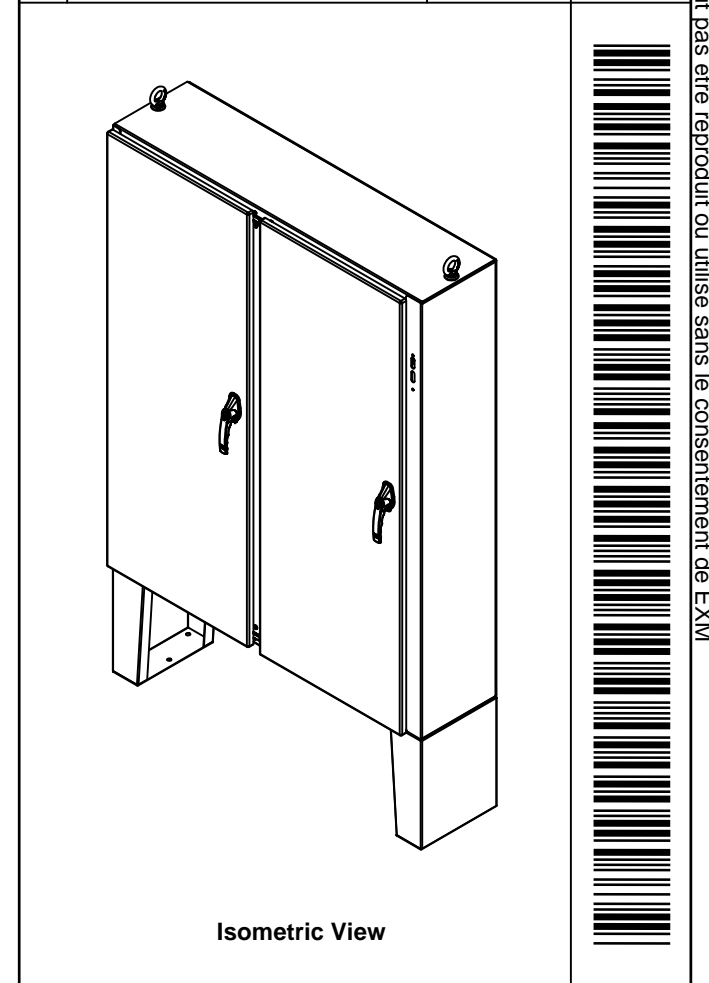
2

This drawing is confidential and must not be reproduced or used without the consent of EXM

Ce dessin est confidentiel et ne doit pas être reproduit ou utilisé sans le consentement de EXM


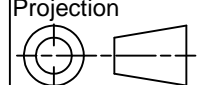
NOTE	
ITEM	DESCRIPTION
1	NEMA 12/13 Enclosure
2	C/W Standard ground studs on box and cover
3	W/O Standard door stiffener
4	C/W Standard inner panel (Included)
5	C/W Standard inner panel mounting studs
6	C/W Struts installed (Included)
7	C/W Mounting feet sold separately (Installed)
8	C/W Special handle sold separately (Kit)
9	C/W Eyebolts

No.	Revisions	Date	By/Par



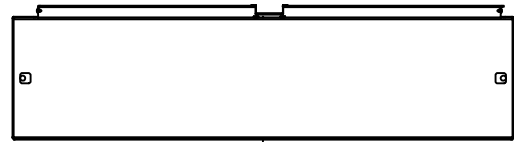
PACKING		
ITEM	QTY	DESCRIPTION
Cardboard sleeve	2	Top and Bottom
Cardboard strip	2	Between back of enclosure and inner panel
Plastic bag	1	To protect cover surface and inside gasket
Cardboard corner	4	To reinforced for the plastic strap tightening
Plastic strap - Black	2	To Squeeze 2 cardboard sleeve together
Packaging label	3	White label with PN
Plastic strap- Green	2	To secure the enclosure to the wood pallet
Wood Pallet	1	2" deeper and 3" larger than enclosure size

1	5500UFDSS604912MF	0	885 MFHD 15" x 12" Mounting Feet
1	880INTI	2	880 INTI - Interlock Post Kit
1	5500UFDSS604912GP	0	5500UFDSS Gland Plate
1	880EB14SS	2	Stainless Steel Eye Bolt M14 (Pack of 2)
8	STK-Q-07320	0	Flange Lock Nut M10
1	885SP6048G	0	885 SP6048G Inner Panel
6	STK-Q-07620	0	M10 Plastic Spacer 0.875"
1	5500UFDSS604912FD	0	5500UFDSS 60" x 49" Lock Door
1	5500UFDSS604912LD	0	5500UFDSS 60" x 49" Lock Door
1	5500UFDSS604912B	0	5500UFDSS 60" x 49" x 12" Body
8	STK-Q-04051-10	8	M6 Hexagon Socket Head Machine Screw with Nyseal
Qty	Part Number	Rev	Description
Parts List			

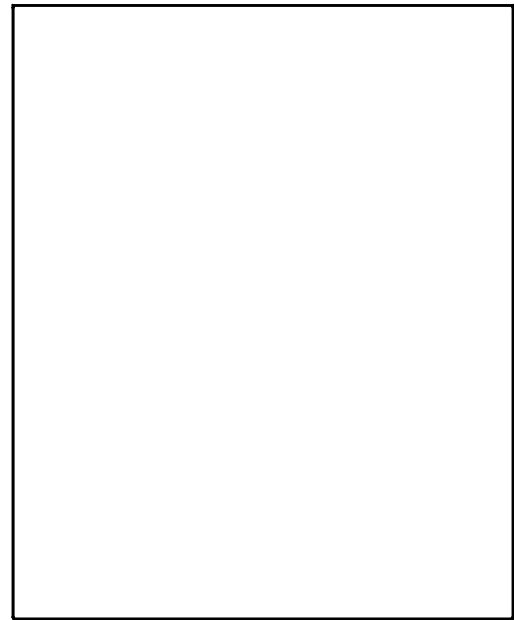
 Tél: (450) 979-4373 Fax: (450) 979-4626 <a href="http://www.exmweb.com">www.exmweb.com</a>		Flatness Aplatissement Max 3.0mm Projection 
Customer Client	Date	Date
Drawn By Dessiné Par	BoxCad: BoxCad	25-Mar-16
Material Matière	12 Ga Stainless Steel 304 (2.5mm)	
Color Couleur	Asa-61 Grey	Finish Fini: Smooth
Description	5500UFDSS 60" x 49" x 12" Assembly	
Part Number Numéro Pièce	Rev.	2
<b>5500UFDSS604912</b>	<b>0</b>	<b>2</b>

This drawing is confidential and must not be reproduced or used without the consent of EXM

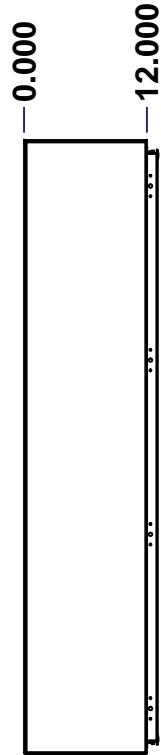
Ce dessin est confidentiel et ne doit pas être reproduit ou utilisé sans le consentement de EXM



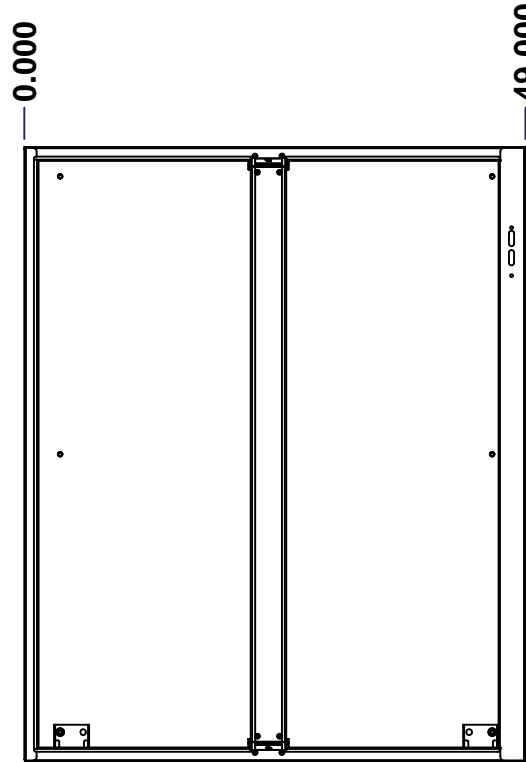
TOP



BACK



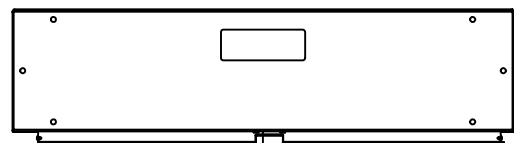
LEFT



FRONT

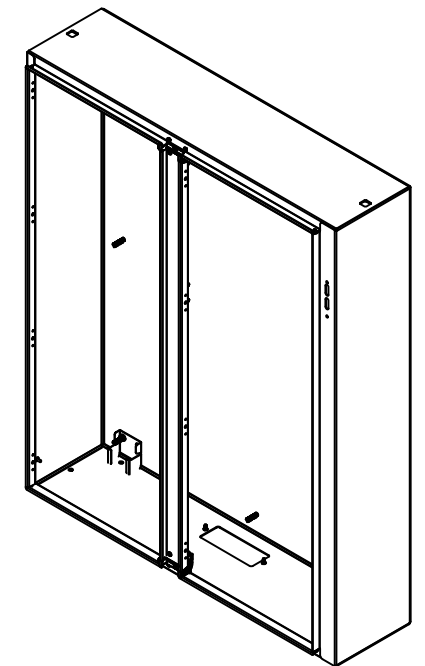


RIGHT



BOTTOM

No.	Revisions	Date	By/Par



Isometric View

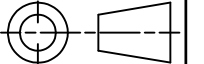


Tél: (450) 979-4373  
 Fax: (450) 979-4626  
[www.exmweb.com](http://www.exmweb.com)

Flatness  
Aplatissement

Max 3.0mm

Projection



Customer Client	Date
Drawn By Dessiné Par BoxCad: BoxCad	Date 25-Mar-16
Material Matière 12 Ga Stainless Steel 304 (2.5mm)	
Color Couleur Asa-61 Grey	Finish Fini Smooth
Description 5500UFDSS 60" x 49" x 12" Body	Detail Rev.
Part Number Numéro Pièce <b>5500UFDSS604912B</b>	Rev. 1 <b>0</b> 2

SEE BILL OF MATERIAL ON LAST PAGE

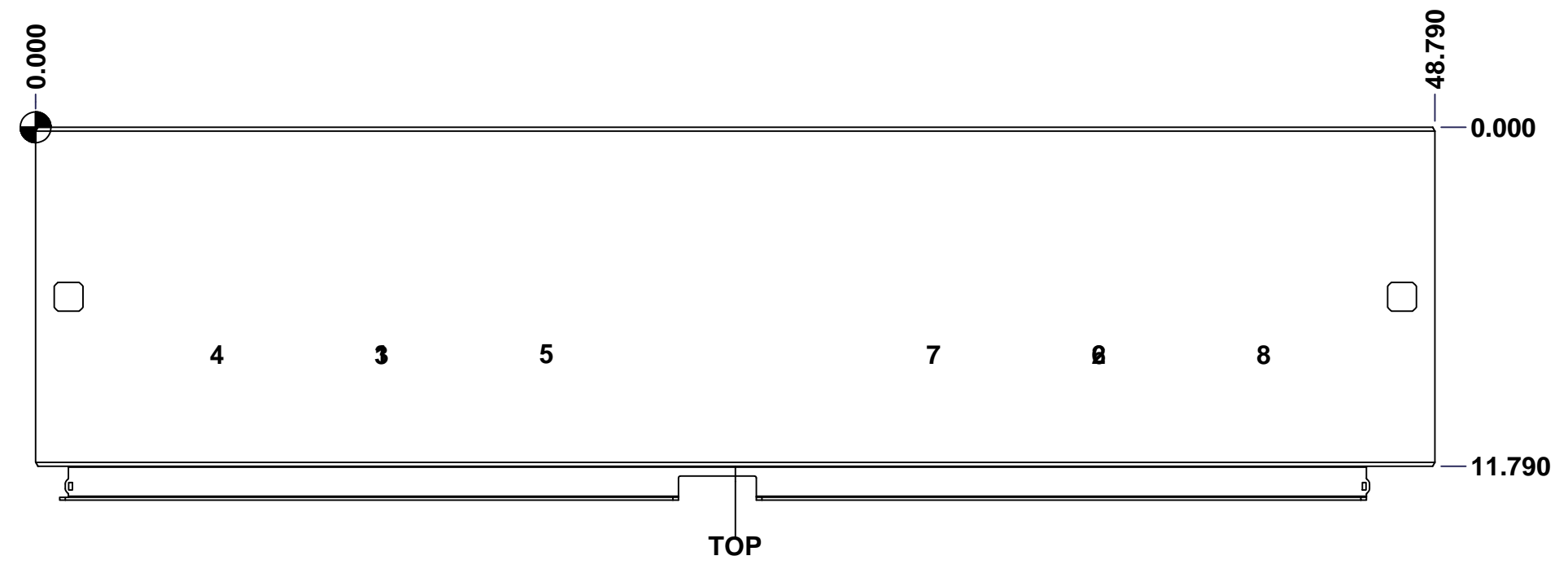
This drawing is confidential and must not be reproduced or used without the consent of EXM

Ce dessin est confidentiel et ne doit pas être reproduit ou utilisé sans le consentement de EXM

**STANDARD FEATURES ARE NOT LISTED IN THIS HOLE TABLE**

**HOLE TABLE - TOP VIEW (CUSTOM FEATURE ONLY)**

CUT-OUT	XDIM	YDIM	DESCRIPTION
1	11.895	7.895	Struts CR400 17.500" (Inside)
2	36.895	7.895	Struts CR400 17.500" (Inside)
3	11.895	7.895	STUDS M6 x 10mm (Inside)
4	6.145	7.895	STUDS M6 x 10mm (Inside)
5	17.645	7.895	STUDS M6 x 10mm (Inside)
6	36.895	7.895	STUDS M6 x 10mm (Inside)
7	31.145	7.895	STUDS M6 x 10mm (Inside)
8	42.645	7.895	STUDS M6 x 10mm (Inside)



	Description	Status	
	5500UFDSS 60" x 49" x 12" Body	Released	
	Part Number Numéro Pièce	Rev.	
	<b>5500UFDSS604912B</b>	<b>0</b>	2 / 7

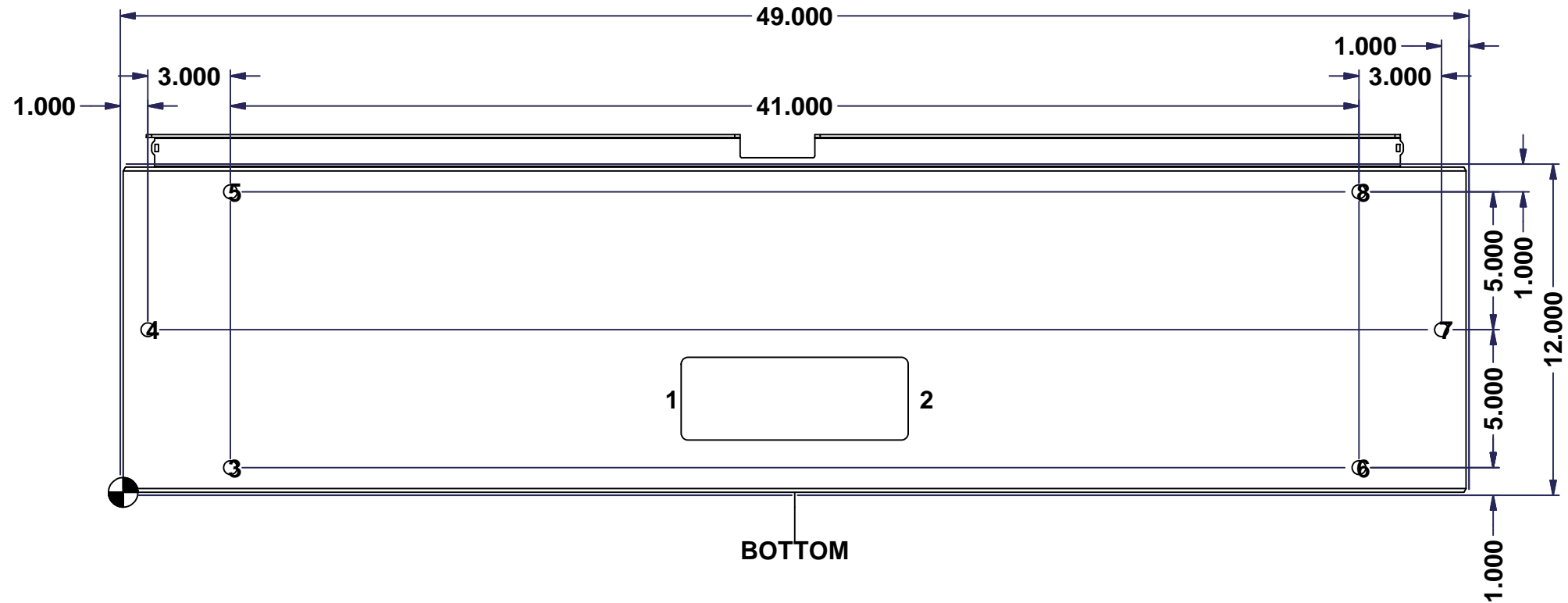
This drawing is confidential and must not be reproduced or used without the consent of EXM

Ce dessin est confidentiel et ne doit pas être reproduit ou utilisé sans le consentement de EXM

**STANDARD FEATURES ARE NOT LISTED IN THIS HOLE TABLE**

**HOLE TABLE - BOTTOM VIEW (CUSTOM FEATURE ONLY)**

CUT-OUT	XDIM	YDIM	DESCRIPTION
1	19.770	3.395	GP STUD M6 x 16mm (Inside)
2	29.020	3.395	GP STUD M6 x 16mm (Inside)
-----			
3	3.895	0.895	RND Ø0.500
4	0.895	5.895	RND Ø0.500
5	3.895	10.895	RND Ø0.500
6	44.895	0.895	RND Ø0.500
7	47.895	5.895	RND Ø0.500
8	44.895	10.895	RND Ø0.500

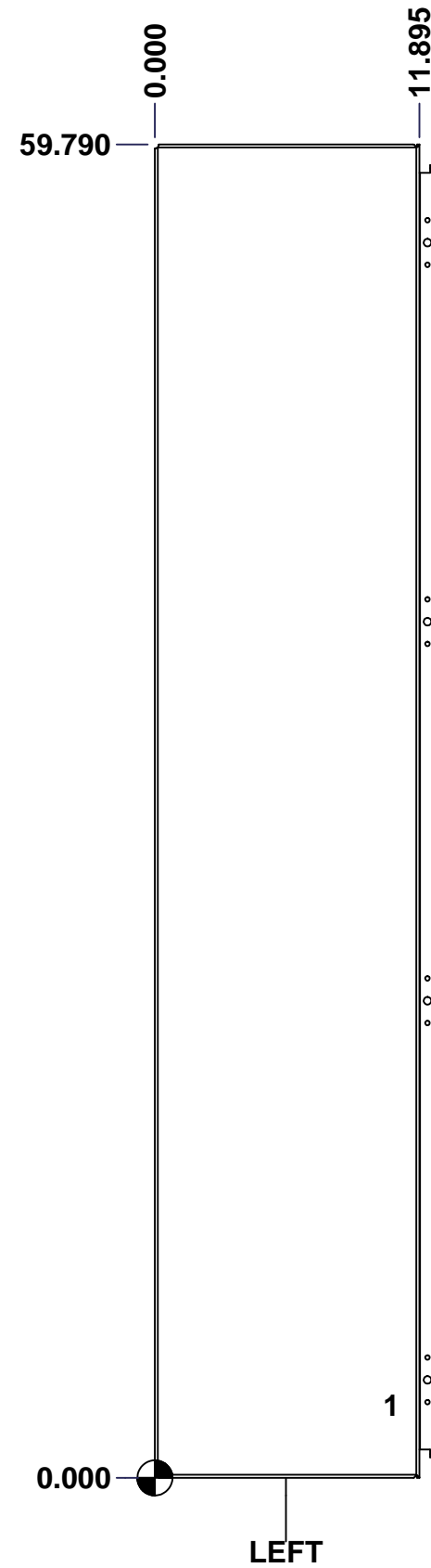


	Description	Status
	5500UFDSS 60" x 49" x 12" Body	Released
	Part Number Numéro Pièce	Rev.
	<b>5500UFDSS604912B</b>	<b>0</b>
		4
		7

This drawing is confidential and must not be reproduced or used without the consent of EXM

Ce dessin est confidentiel et ne doit pas être reproduit ou utilisé sans le consentement de EXM

<b>STANDARD FEATURES ARE NOT LISTED IN THIS HOLE TABLE</b>			
<b>HOLE TABLE - LEFT VIEW (CUSTOM FEATURE ONLY)</b>			
CUT-OUT	XDIM	YDIM	DESCRIPTION
1	10.395	3.270	GND STUD M6 x 16mm (Inside)



	Description	Status
	5500UFDSS 60" x 49" x 12" Body	Released
	Part Number Numéro Pièce	Rev.
	<b>5500UFDSS604912B</b>	<b>0</b>
		5
		7

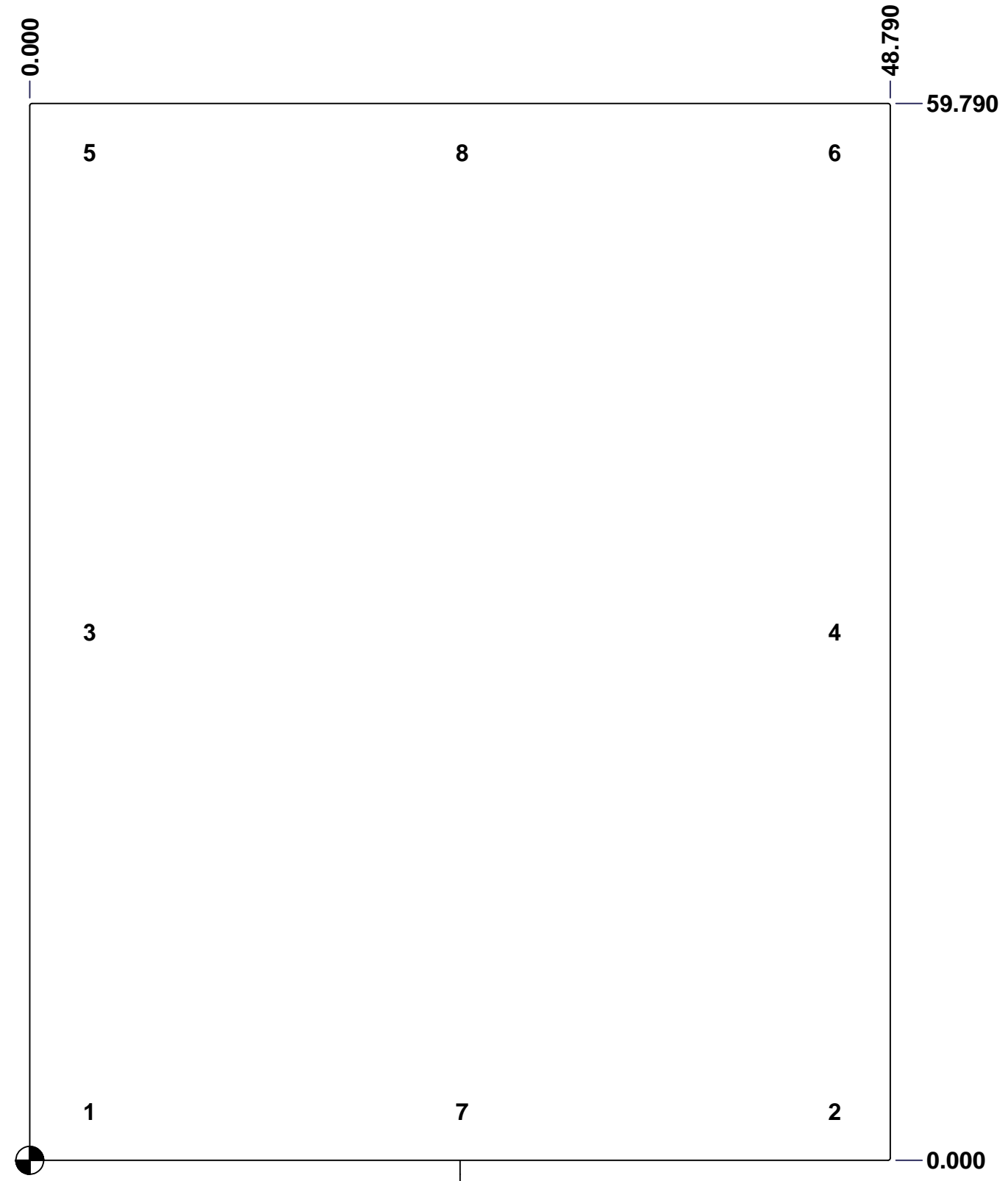
This drawing is confidential and must not be reproduced or used without the consent of EXM

Ce dessin est confidentiel et ne doit pas être reproduit ou utilisé sans le consentement de EXM

**STANDARD FEATURES ARE NOT LISTED IN THIS HOLE TABLE**

**HOLE TABLE - BACK VIEW (CUSTOM FEATURE ONLY)**

CUT-OUT	XDIM	YDIM	DESCRIPTION
1	3.145	2.770	IP STUD M10 x 40mm (Inside)
2	45.395	2.770	IP STUD M10 x 40mm (Inside)
3	3.145	29.895	IP STUD M10 x 40mm (Inside)
4	45.395	29.895	IP STUD M10 x 40mm (Inside)
5	3.145	57.020	IP STUD M10 x 40mm (Inside)
6	45.395	57.020	IP STUD M10 x 40mm (Inside)
7	24.270	2.770	IP STUD M10 x 40mm (Inside)
8	24.270	57.020	IP STUD M10 x 40mm (Inside)



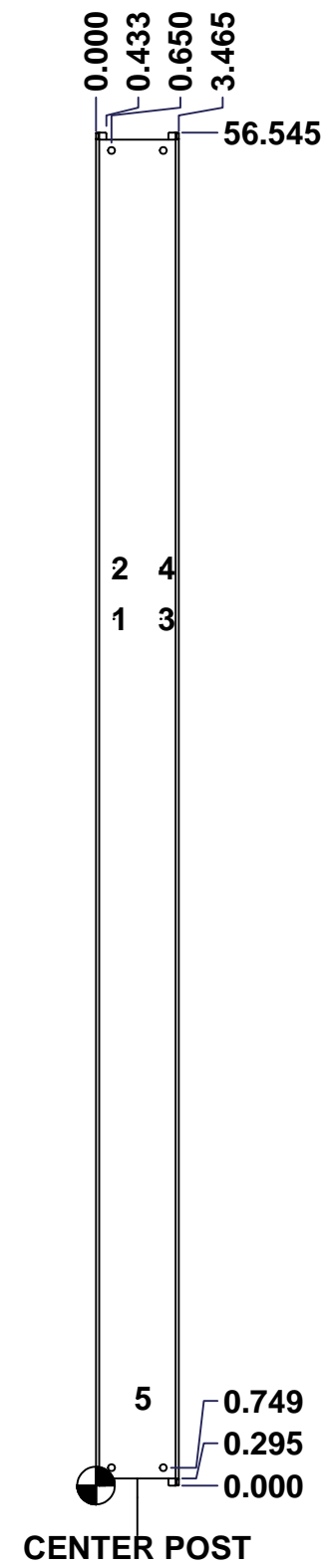
BACK

	Description	Status
	5500UFDSS 60" x 49" x 12" Body	Released
	Part Number Numéro Pièce	Rev.
	<b>5500UFDSS604912B</b>	<b>0</b>
		6 / 7

This drawing is confidential and must not be reproduced or used without the consent of EXM

Ce dessin est confidentiel et ne doit pas être reproduit ou utilisé sans le consentement de EXM

STANDARD FEATURES ARE NOT LISTED IN THIS HOLE TABLE			
HOLE TABLE - CENTER VIEW (CUSTOM FEATURE ONLY)			
CUT-OUT	XDIM	YDIM	DESCRIPTION
1	0.748	36.220	INTERLOCK STUD M6 x 16mm (Inside)
2	0.748	38.346	INTERLOCK STUD M6 x 16mm (Inside)
3	2.717	36.220	INTERLOCK STUD M6 x 16mm (Inside)
4	2.717	38.346	INTERLOCK STUD M6 x 16mm (Inside)
5	1.732	3.648	GND STUD M6 x 16mm (Inside)



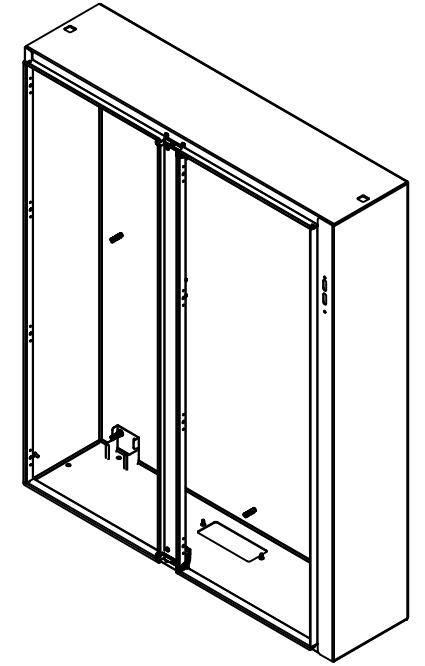
	Description	Status
	5500UFDSS 60" x 49" x 12" Body	Released
	Part Number Numéro Pièce	Rev.
	<b>5500UFDSS604912B</b>	<b>0</b>
		6
		7



This drawing is confidential and must not be reproduced or used without the consent of EXM

Ce dessin est confidentiel et ne doit pas être reproduit ou utilisé sans le consentement de EXM

No.	Revisions	Date	By/Par



Isometric View



6	STK-Q-16040	0	Stud M6 x 10mm Stainless Steel
1	STK-Q-16085	0	Ground Stud M6 x 16mm Stainless Steel
6	STK-Q-07220	1	M6 Nylon Insert Lock Nut
1	STK-P-02400S	0	Powder Paint (Asa-61 Grey / Smooth)
3	STK-Q-16095	0	M6 x 16mm Stainless Steel Ground Stud
4	STK-Q-16070	1	Stud M6 x 18mm Stainless steel
1	STK-A-75456	2	Center Post - Stainless Steel Sealing Block with Latch Assembly (Large)
1	5500UFDSS604912CP-P	0	5500UFDSS 60" Center Post Part
2	STK-Q-07320	0	Flange Lock Nut M10
2	STK-Q-07618	1	5500 Series Inner Panel Support Bracket
8	STK-Q-16120	0	Stud M10 x 40mm Stainless Steel
1	5500UFDSS604912BT-P	0	5500UFDSS 49" x 12" Bottom Part
1	5500UFDSS604912T-P	0	5500UFDSS 49" x 12" Top Part
1	5500UFDSS604912RS-P	0	5500UFDSS 60" x 49" Right Part
1	5500UFDSS604912LS-P	0	5500UFDSS 60" x 49" Left Part
1	5500UFDSS604912B-P	0	5500UFDSS 60" x 49" Back Part
2	CR400SS_17.5	0	Commercial Roll Stainless Steel (17.5in long)
Qty	Part Number	Rev	Description

Parts List

	Tél: (450) 979-4373 Fax: (450) 979-4626 <a href="http://www.exmweb.com">www.exmweb.com</a>	Flatness	
		Aplatissement	
		Max 3.0mm	
		Projection	
Customer		Date	
Client		Date	25-Mar-16
Drawn By	BoxCad: BoxCad		
Dessiné Par			
Material	12 Ga Stainless Steel 304 (2.5mm)		
Matière			
Color	Asa-61 Grey	Finish	Smooth
Couleur		Fini	
Description	5500UFDSS 60" x 49" x 12" Body		Detail Rev.
Part Number	5500UFDSS604912B		Rev. 2
Numéro Pièce			0

This drawing is confidential and must not be reproduced or used without the consent of EXM

Ce dessin est confidentiel et ne doit pas être reproduit ou utilisé sans le consentement de EXM

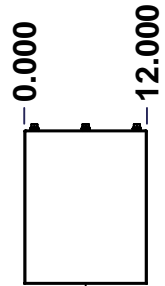
No.	Revisions	Date	By/Par



TOP



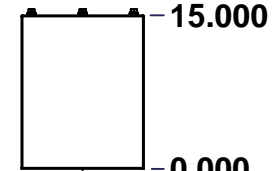
BACK



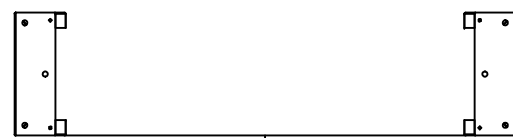
LEFT



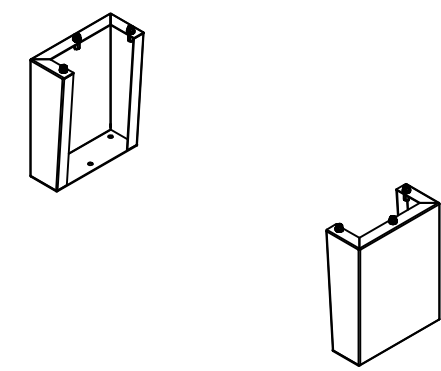
FRONT



RIGHT



BOTTOM



Isometric View



Tél: (450) 979-4373  
 Fax: (450) 979-4626  
[www.exmweb.com](http://www.exmweb.com)

Flatness  
Aplatissement  
Max 3.0mm  
Projection

Customer Client	Date
Drawn By / Dessiné Par: BoxCad: BoxCad	Date: 25-Mar-16
Material / Matière: 12 Ga Stainless Steel 304 (2.5mm)	
Color / Couleur: Asa-61 Grey	Finish / Fini: Smooth
Description: 885 MFHD 15" x 12" Mounting Feet	Detail Rev.
Part Number / Numéro Pièce: 5500UFDSS604912MF	Rev. 0

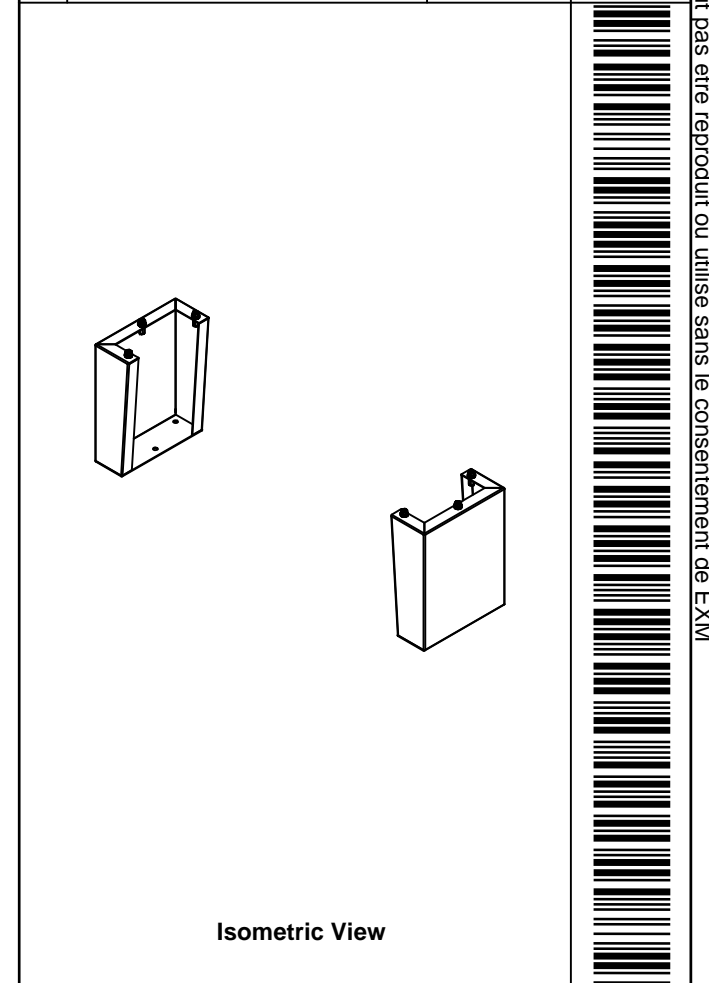
SEE BILL OF MATERIAL ON LAST PAGE


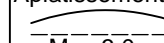
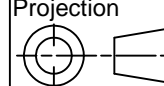
1 / 4

This drawing is confidential and must not be reproduced or used without the consent of EXM

Ce dessin est confidentiel et ne doit pas être reproduit ou utilisé sans le consentement de EXM

No.	Revisions	Date	By/Par



 Tél: (450) 979-4373 Fax: (450) 979-4626 <a href="http://www.exmweb.com">www.exmweb.com</a>		Flatness Aplatissement  Max 3.0mm Projection 
Customer Client	Date	
Drawn By Dessiné Par	BoxCad: BoxCad	Date 25-Mar-16
Material Matière	12 Ga Stainless Steel 304 (2.5mm)	
Color Couleur	Asa-61 Grey	Finish Fini Smooth
Description		Detail Rev.
885 MFHD 15" x 12" Mounting Feet		
Part Number Numéro Pièce	Rev. 4	4
<b>5500UFDSS604912MF</b>		<b>0</b>

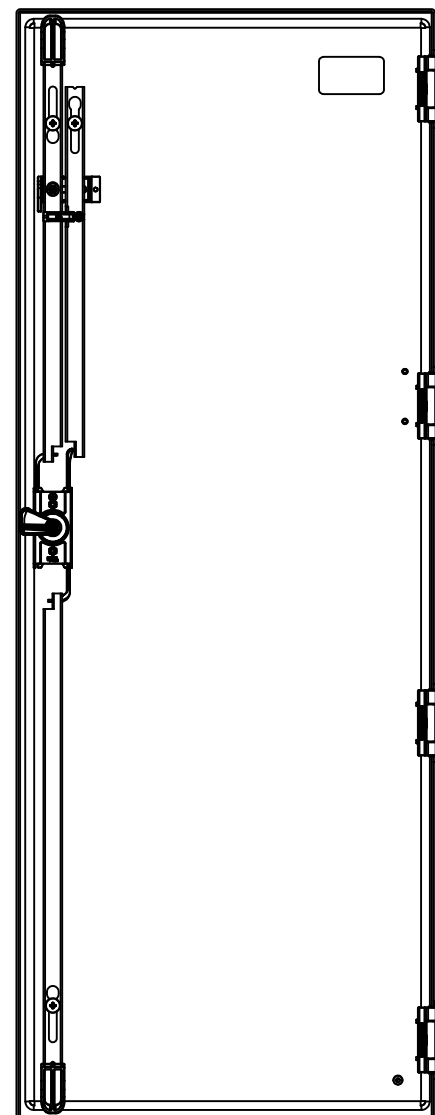
Qty	Part Name	Rev	Description
1	STK-P-02400S	0	Powder Paint (Asa-61 Grey / Smooth)
6	RIVET_NUT_SS_M10_FH_CE	0	Stainless Steel Rivet Nut M10 (Low Profile Close End)
1	5500UFDSS604912MFR-P	0	885 MFHD 15" x 12" Right Mounting Feet Part
1	5500UFDSS604912MFL-P	0	885 MFHD 15" x 12" Left Mounting Feet Part
1	STK-K-11610	2	885 MFSS Accessory Kit
Parts List			

This drawing is confidential and must not be reproduced or used without the consent of EXM

Ce dessin est confidentiel et ne doit pas être reproduit ou utilisé sans le consentement de EXM



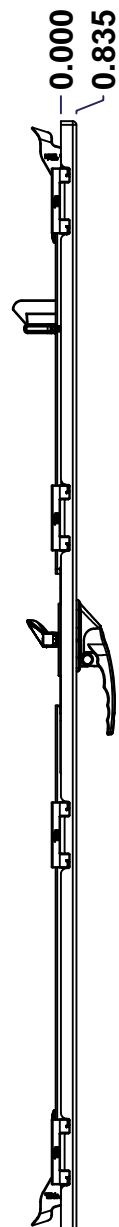
TOP



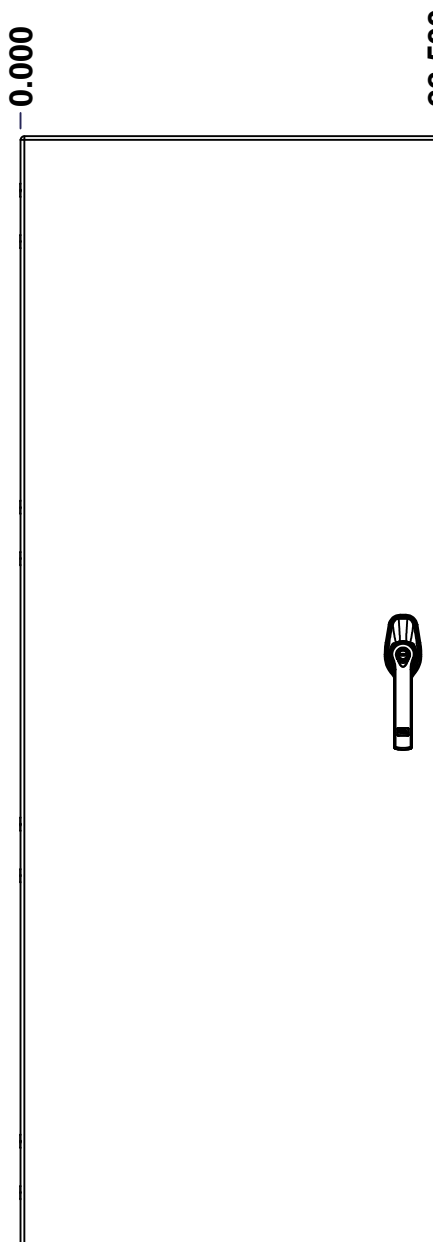
BACK



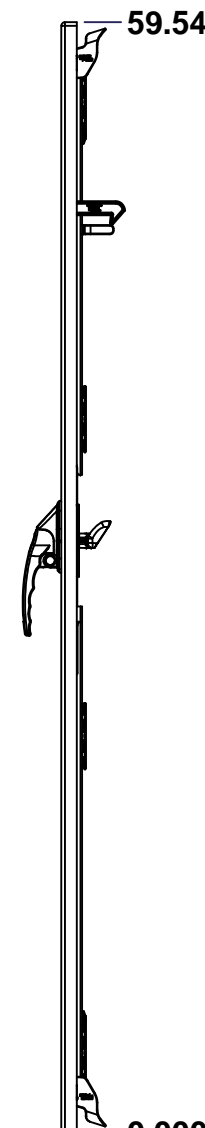
BOTTOM



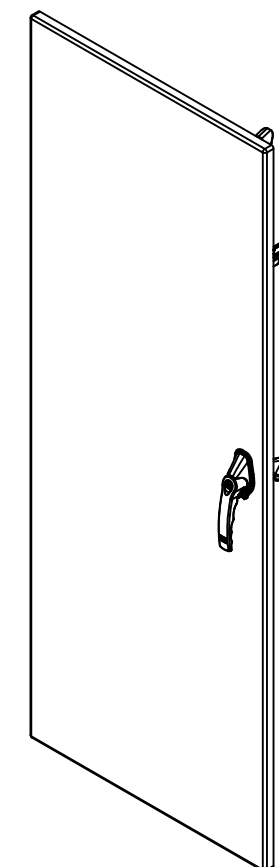
LEFT



FRONT




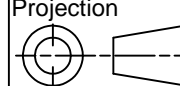
RIGHT



Isometric View



No.	Revisions	Date	By/Par

 Tél: (450) 979-4373 Fax: (450) 979-4626 <a href="http://www.exmweb.com">www.exmweb.com</a>		Flatness Aplatissement Max 3.0mm Projection 
Customer Client	Date	
Drawn By Dessiné Par	BoxCad: BoxCad	Date 25-Mar-16
Material Matière	12 Ga Stainless Steel 304 (2.5mm)	
Color Couleur	Asa-61 Grey	Finish Fini Smooth
Description	Detail Rev.	
5500UFDSS 60" x 49" Lock Door		
Part Number Numéro Pièce	Rev. 0	1 / 3
<b>5500UFDSS604912LD</b>		

SEE BILL OF MATERIAL ON LAST PAGE

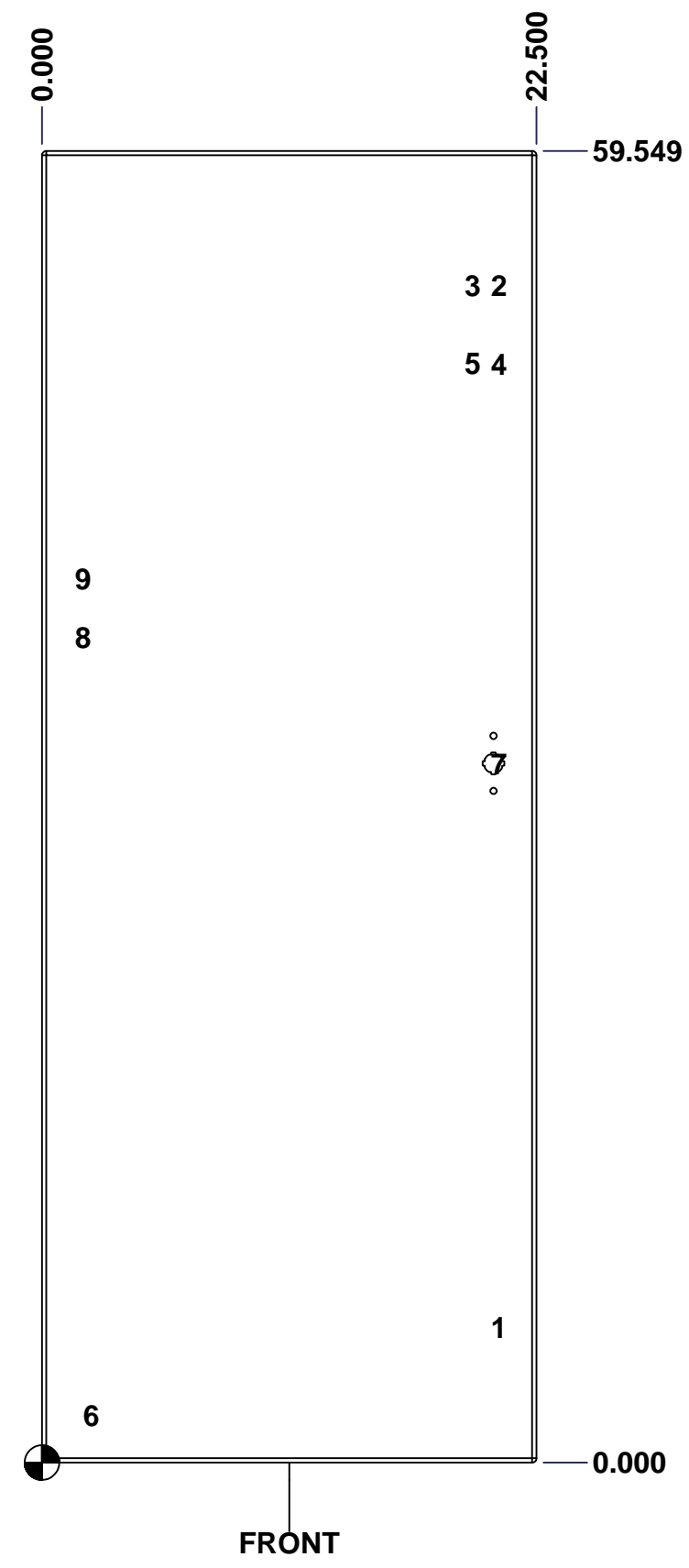
This drawing is confidential and must not be reproduced or used without the consent of EXM

Ce dessin est confidentiel et ne doit pas être reproduit ou utilisé sans le consentement de EXM

**STANDARD FEATURES ARE NOT LISTED IN THIS HOLE TABLE**

**HOLE TABLE - FRONT VIEW (CUSTOM FEATURE ONLY)**

CUT-OUT	XDIM	YDIM	DESCRIPTION
1	20.544	6.118	STUD M6 x 18mm (Inside)
2	20.544	53.430	STUD M6 x 18mm (Inside)
3	19.357	53.430	STUD M6 x 18mm (Inside)
4	20.544	49.886	STUD M6 x 18mm (Inside)
5	19.357	49.886	STUD M6 x 18mm (Inside)
-----	-----	-----	-----
6	2.000	2.118	GND STUD M6 x 16mm (Inside)
7	20.544	31.743	HANDLE 885 ESL2A-APHDSS @ 0.0°
8	1.625	37.445	STUDS M6 x 18mm (Inside)
9	1.625	40.123	STUDS M6 x 18mm (Inside)

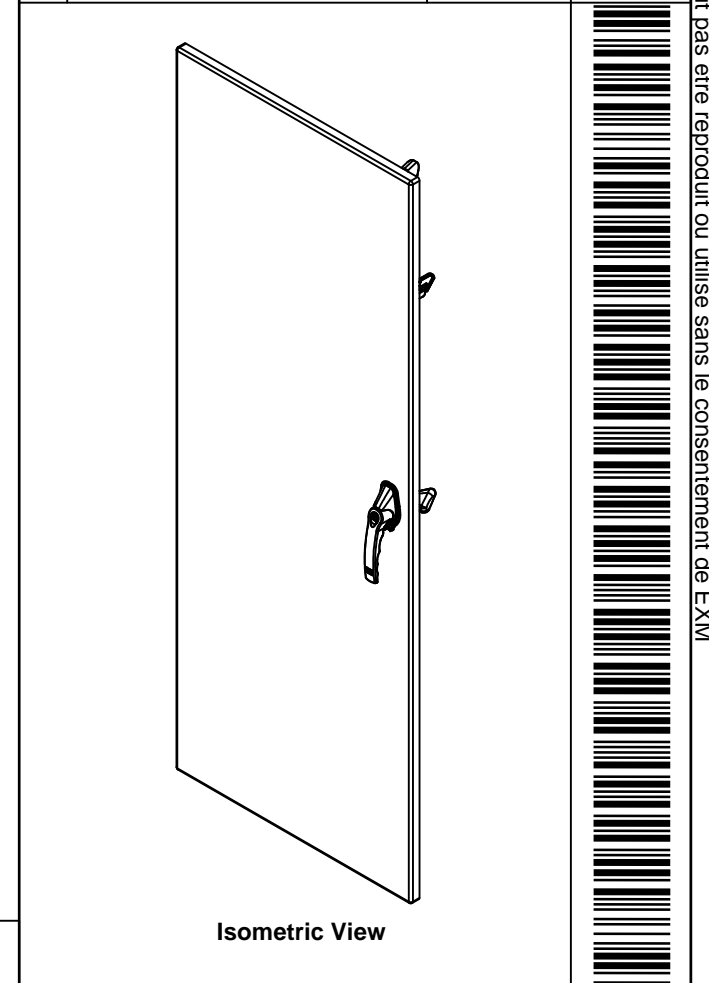


	Description	Status
	5500UFDSS 60" x 49" Lock Door	(NULL)
	Part Number Numéro Pièce	Rev.
	<b>5500UFDSS604912LD</b>	<b>0</b>
		2
		3

This drawing is confidential and must not be reproduced or used without the consent of EXM


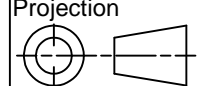
Ce dessin est confidentiel et ne doit pas être reproduit ou utilisé sans le consentement de EXM

No.	Revisions	Date	By/Par



Isometric View

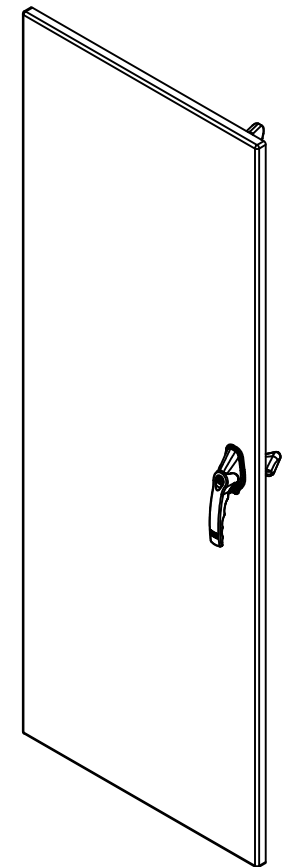
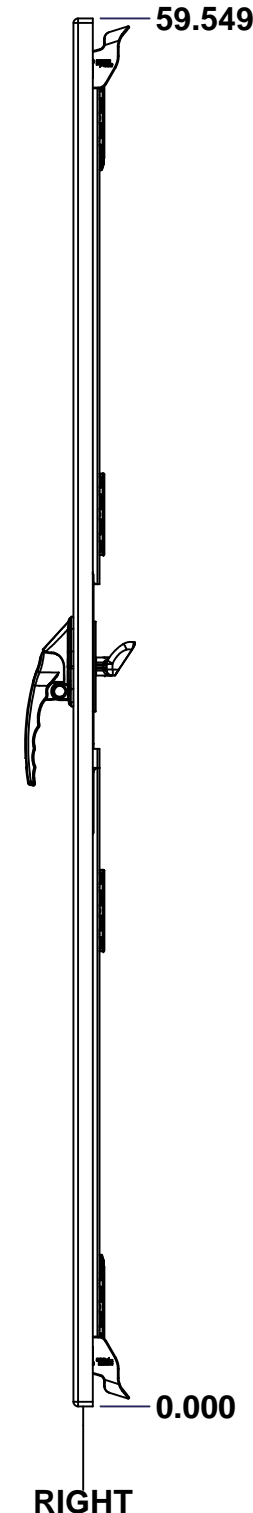
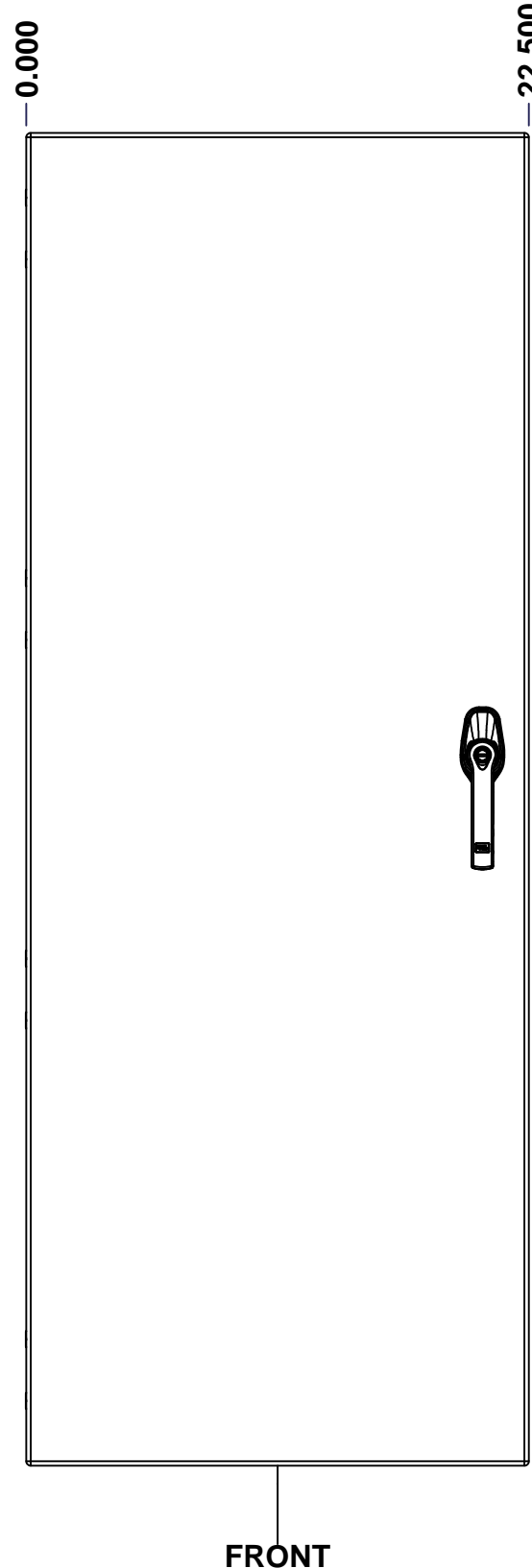
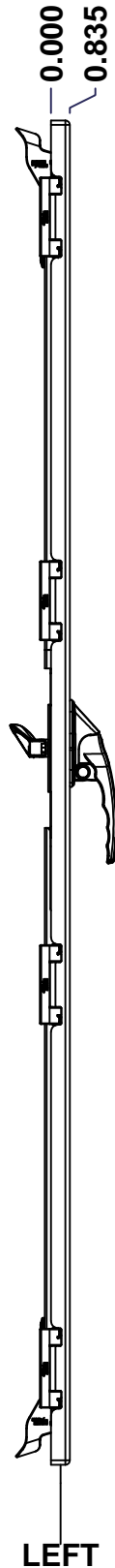
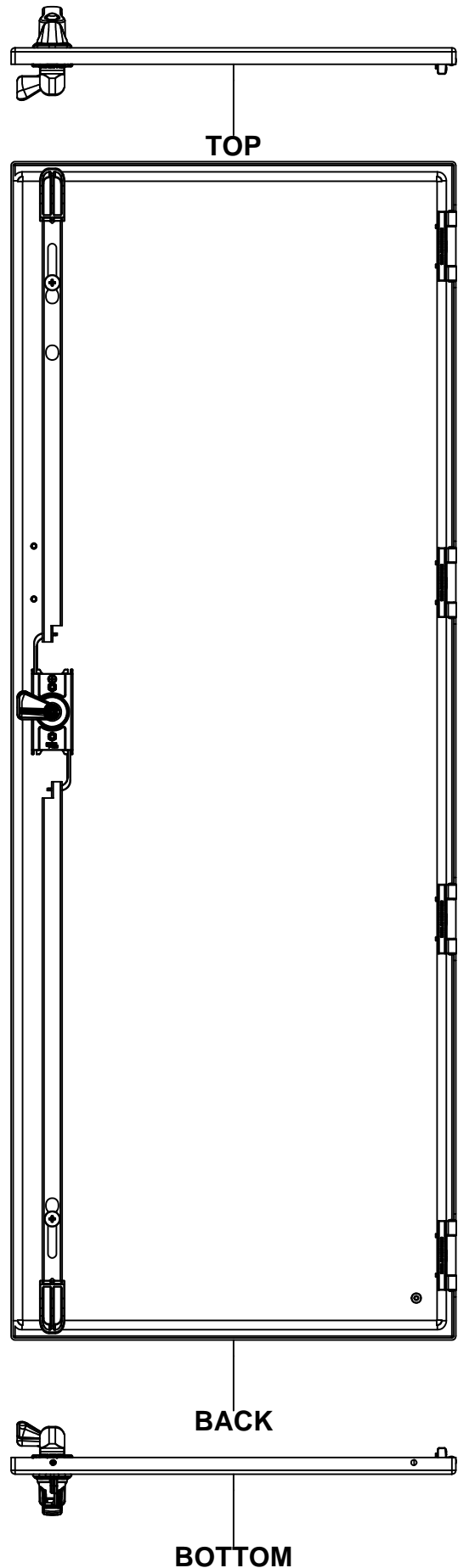
1	5500UFDSS604912DB_ESY	0	5500UFDSS 60" Disconnect Defeater Bar
1	5500UFDSS604912CB	0	5500UFDSS 60" Closing Bar
1	5500UFDSS604912CB_ESY	0	5500UFDSS 60" Disconnect Closing Bar
1	STK-K-03895-36	3	Gearbox Clockwise Assembly (Grip 36mm)
1	885ESL-APHDSS	1	885 ESL2A-APHDSS - Stainless Steel L-Handle Padlockable Assy - Slot Cylinder
1	STK-Q-16085	0	Ground Stud M6 x 16mm Stainless Steel
1	STK-P-02400S	0	Powder Paint (Asa-61 Grey / Smooth)
1	STK-S-00100	0	3.5" x 2" Silver Milar Flexcon Sticker
1	STK-Q-07220	1	M6 Nylon Insert Lock Nut
1	5500UFDSS604912LDG	0	5500UFDSS 60" x 49" Lock Door Gasket
1	STK-Q-13060	1	M6 Flat Washer
1	STK-Q-46600	3	5500 ESY Disconnect Door Hook
7	STK-Q-16070	1	Stud M6 x 18mm Stainless Steel
1	5500UFDSS604912LD-P	0	5500UFDSS 60" x 49" Lock Door Part
4	STK-K-09870	7	Cabinet Hinge with Captive Pins
Qty	Part Name	Rev	Description

 Tél: (450) 979-4373 Fax: (450) 979-4626 <a href="http://www.exmweb.com">www.exmweb.com</a>		Flatness Aplatissement Max 3.0mm Projection 
Customer Client	Date	
Drawn By Dessiné Par	BoxCad: BoxCad	Date 25-Mar-16
Material Matière	12 Ga Stainless Steel 304 (2.5mm)	
Color Couleur	Asa-61 Grey	Finish Fini Smooth
Description	5500UFDSS 60" x 49" Lock Door	
Part Number Numéro Pièce	Rev. 0	3
<b>5500UFDSS604912LD</b>		<b>3</b>

Parts List

This drawing is confidential and must not be reproduced or used without the consent of EXM


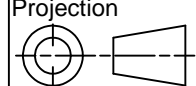
Ce dessin est confidentiel et ne doit pas être reproduit ou utilisé sans le consentement de EXM



Isometric View



No.	Revisions	Date	By/Par

 Tél: (450) 979-4373 Fax: (450) 979-4626 <a href="http://www.exmweb.com">www.exmweb.com</a>		Flatness Aplatissement Max 3.0mm Projection 
Customer Client	BoxCad: BoxCad	Date 25-Mar-16
Material Matière 12 Ga Stainless Steel 304 (2.5mm)		Date
Color Couleur Asa-61 Grey	Finish Fini Smooth	Date
Description 5500UFDSS 60" x 49" Lock Door		Detail Rev.
Part Number Numéro Pièce 5500UFDSS604912FD	Rev. 0	1 / 3

SEE BILL OF MATERIAL ON LAST PAGE

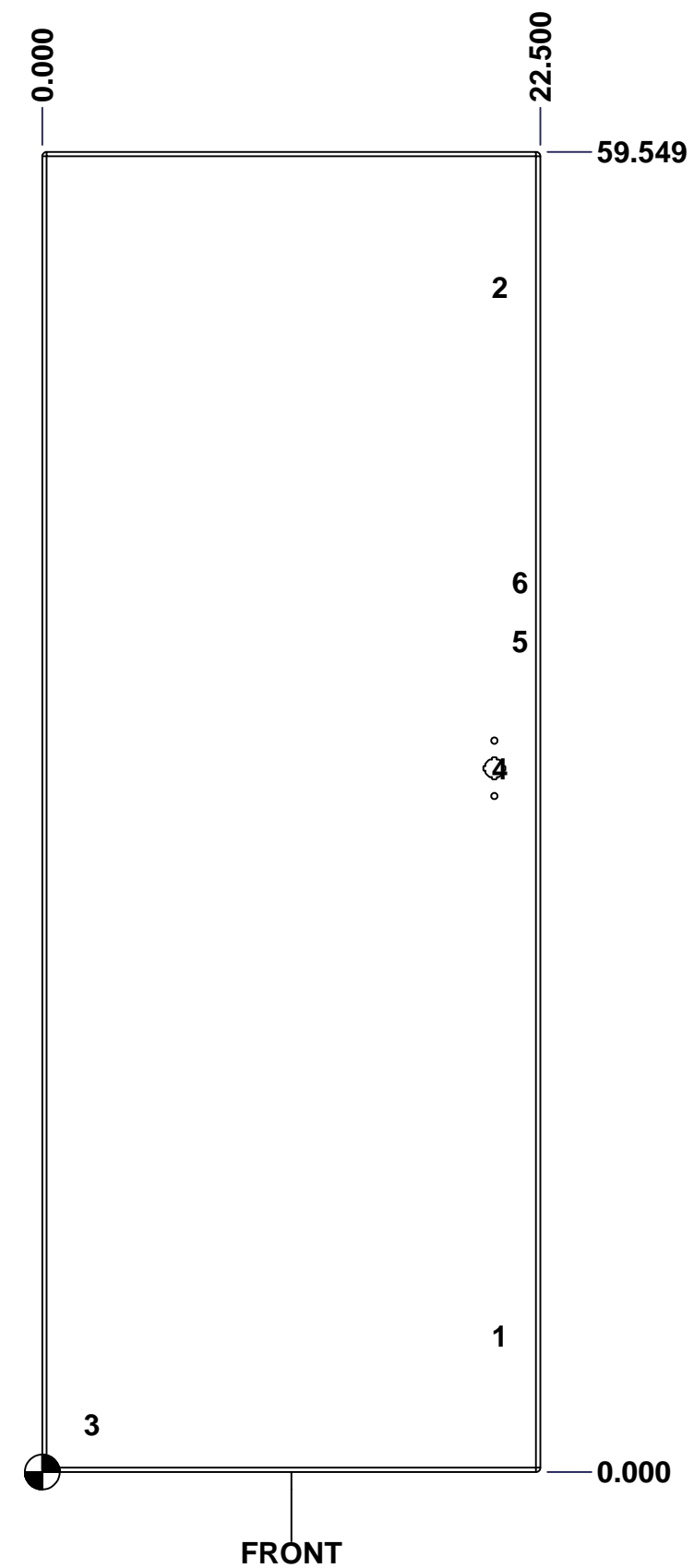
This drawing is confidential and must not be reproduced or used without the consent of EXM

Ce dessin est confidentiel et ne doit pas être reproduit ou utilisé sans le consentement de EXM

**STANDARD FEATURES ARE NOT LISTED IN THIS HOLE TABLE**

**HOLE TABLE - FRONT VIEW (CUSTOM FEATURE ONLY)**

CUT-OUT	XDIM	YDIM	DESCRIPTION
1	20.419	6.118	CLOSING BAR GUIDE (Inside)
2	20.419	53.430	CLOSING BAR GUIDE (Inside)
-----	-----	-----	-----
3	2.000	2.118	GND STUD M6 x 16mm (Inside)
4	20.419	31.743	HANDLE 885 ESL2A-APHDSS @ 0.0°
5	21.347	37.445	STUDS M6 x 18mm (Inside)
6	21.347	40.123	STUDS M6 x 18mm (Inside)



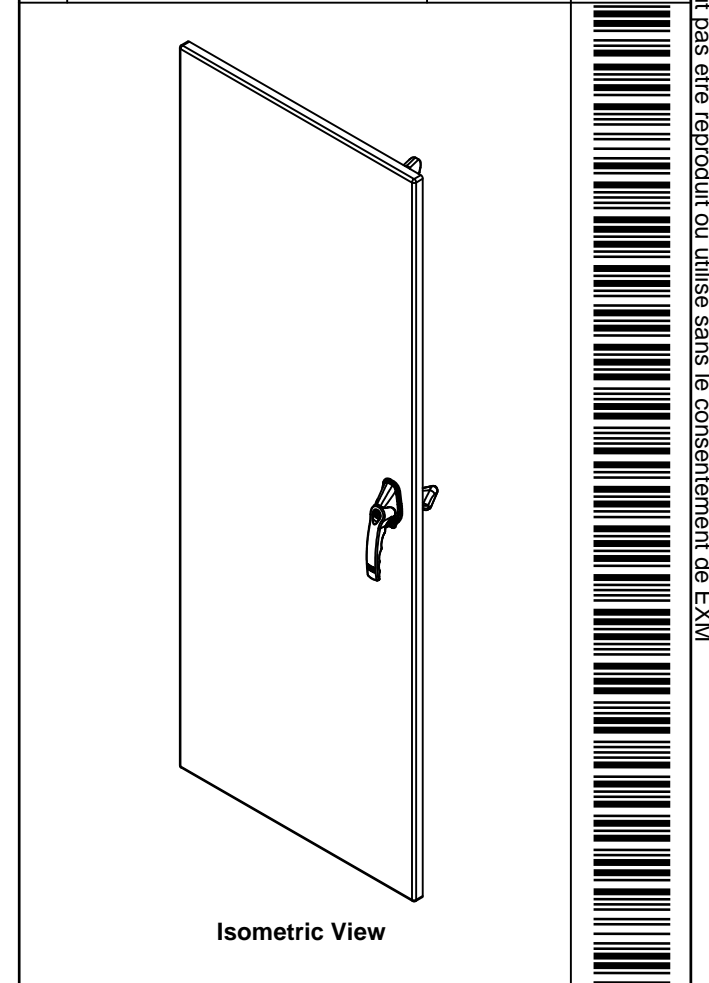
	Description	Status
	5500UFDSS 60" x 49" Lock Door	(NULL)
	Part Number Numéro Pièce	Rev.
	<b>5500UFDSS604912FD</b>	<b>0</b>
		2
		3




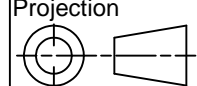
This drawing is confidential and must not be reproduced or used without the consent of EXM

Ce dessin est confidentiel et ne doit pas être reproduit ou utilisé sans le consentement de EXM

No.	Revisions	Date	By/Par



Qty	Part Name	Rev	Description
1	5500UFDSS604912CB	0	5500UFDSS 60" Closing Bar
1	5500UFDSS604912CB2E SY	0	5500UFDSS 60" Disconnect Closing Bar
1	STK-A-03880-36	12	Gearbox Clockwise Assembly (Grip 36mm)
1	885ESL-APHDSS	1	885 ESL2A-APHDSS - Stainless Steel L-Handle Padlockable Assy - Slot Cylinder
1	5500UFDSS604912FDG	0	5500UFDSS 60" x 49" Flange Door Gasket
1	STK-Q-16085	0	Ground Stud M6 x 16mm Stainless Steel
1	STK-P-02400S	0	Powder Paint (Asa-61 Grey / Smooth)
4	STK-Q-16070	1	Stud M6 x 18mm Stainless Steel
1	5500UFDSS604912FD-P	0	5500UFDSS 60" x 49" Lock Door Part
4	STK-K-09870	7	Cabinet Hinge with Captive Pins

 Tél: (450) 979-4373 Fax: (450) 979-4626 <a href="http://www.exmweb.com">www.exmweb.com</a>		Flatness Aplatissement Max 3.0mm Projection 
Customer Client	Date	
Drawn By Dessiné Par	BoxCad: BoxCad	Date 25-Mar-16
Material Matière	12 Ga Stainless Steel 304 (2.5mm)	
Color Couleur	Asa-61 Grey	Finish Fini Smooth
Description	Detail Rev.	
5500UFDSS 60" x 49" Lock Door		
Part Number Numéro Pièce	Rev. 0	3
<b>5500UFDSS604912FD</b>		<b>3</b>

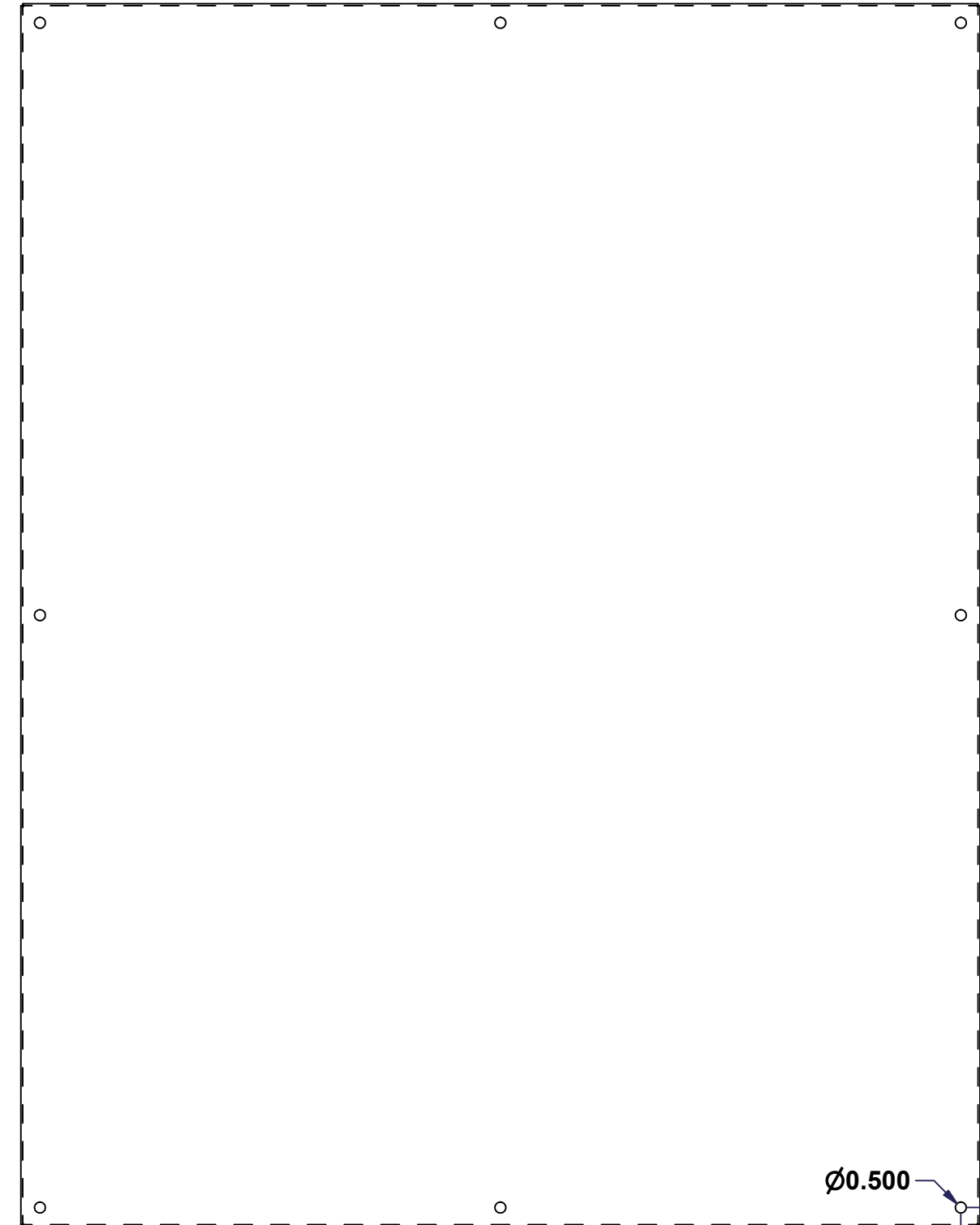
Parts List

This drawing is confidential and must not be reproduced or used without the consent of EXM

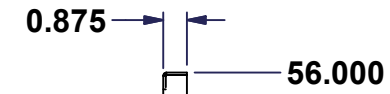
Ce dessin est confidentiel et ne doit pas être reproduit ou utilisé sans le consentement de EXM



TOP



FRONT



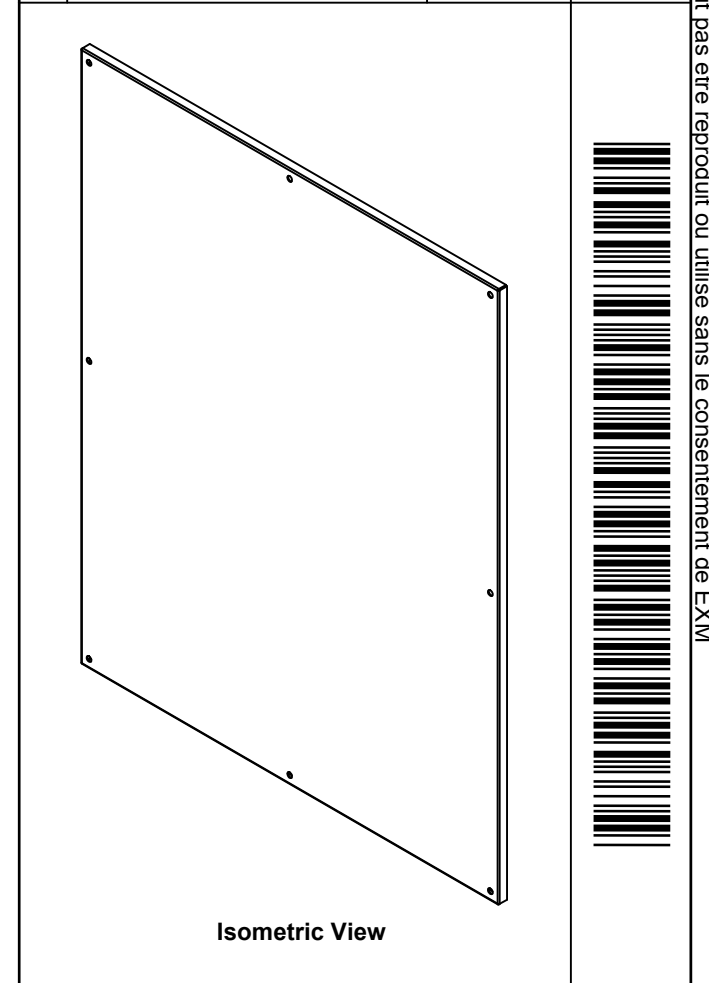
56.000

0.000

RIGHT

SEE BILL OF MATERIAL ON LAST PAGE

No.	Revisions	Date	By/Par



Isometric View

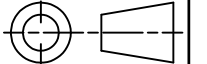


Tél: (450) 979-4373  
Fax: (450) 979-4626  
www.exmweb.com

Flatness  
Aplatissement

Max 3.0mm

Projection



Customer Client	Date
Drawn By Dessiné Par BoxCad	Date 04/11/2009
Material Matière	12 Ga Galvanized (2.5mm)

Color Couleur Unpainted	Finish Fini Unpainted
----------------------------	--------------------------

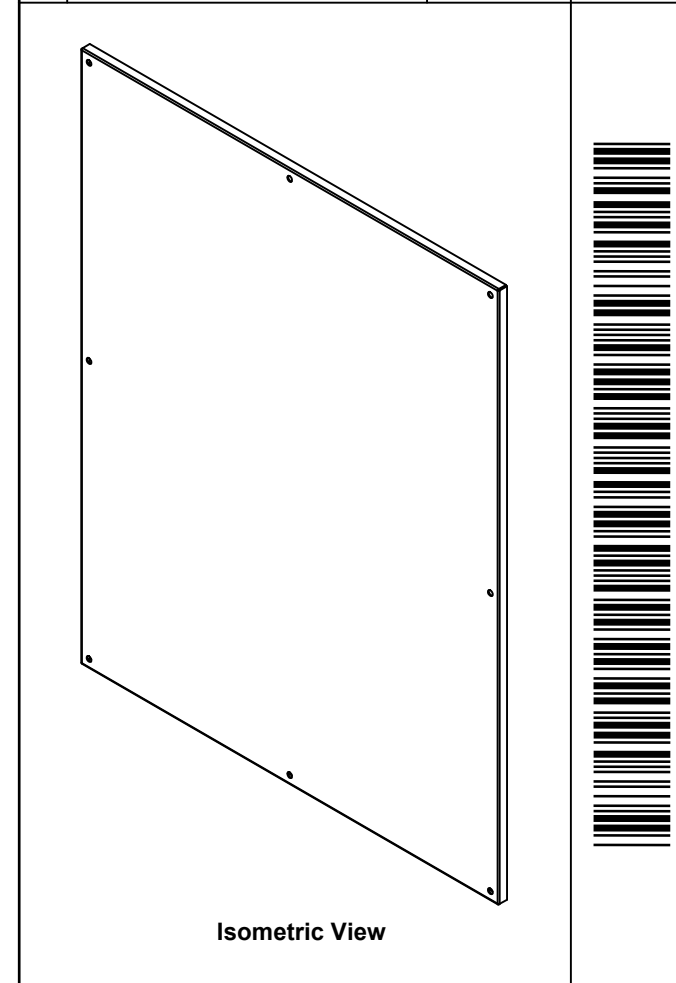
Description	Detail Rev.
885 SP6048G Inner Panel	


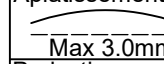
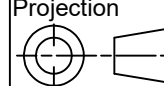
Part Number Numéro Pièce	Rev.	1
<b>885SP6048G</b>	<b>0</b>	2

This drawing is confidential and must not be reproduced or used without the consent of EXM

Ce dessin est confidentiel et ne doit pas être reproduit ou utilisé sans le consentement de EXM

No.	Revisions	Date	By/Par



 Tél: (450) 979-4373 Fax: (450) 979-4626 www.exmweb.com		Flatness Aplatissement  Max 3.0mm
Customer Client		Projection 
Drawn By Dessiné Par BoxCad		Date 04/11/2009
Material Matière 12 Ga Galvanized (2.5mm)		
Color Couleur Unpainted	Finish Fini Unpainted	
Description 885 SP6048G Inner Panel		Detail Rev.
Part Number Numéro Pièce <b>885SP6048G</b>		Rev. 2 <b>0</b>

Qty	Part Number	Rev	Description
1	885SP6048G-P	0	885 SP6048G Inner Panel Part
Parts List			