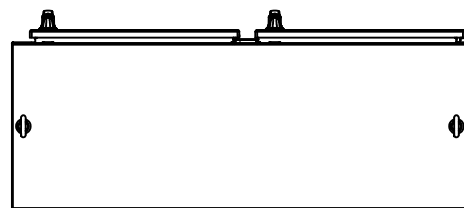
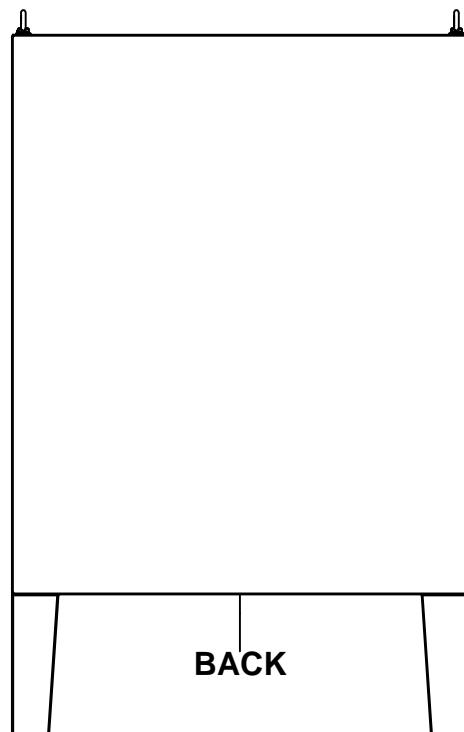


This drawing is confidential and must not be reproduced or used without the consent of EXM

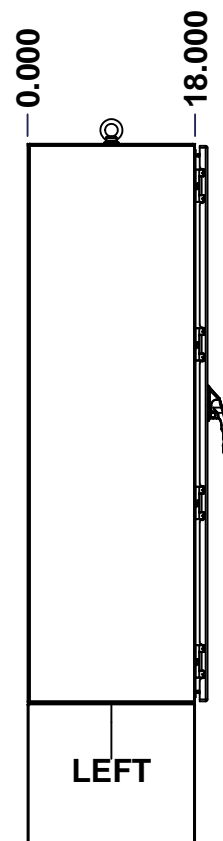
Ce dessin est confidentiel et ne doit pas être reproduit ou utilisé sans le consentement de EXM



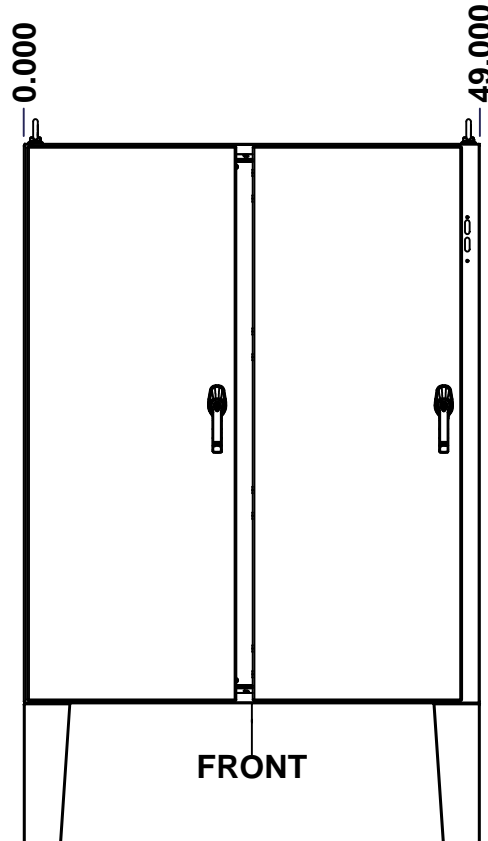
TOP



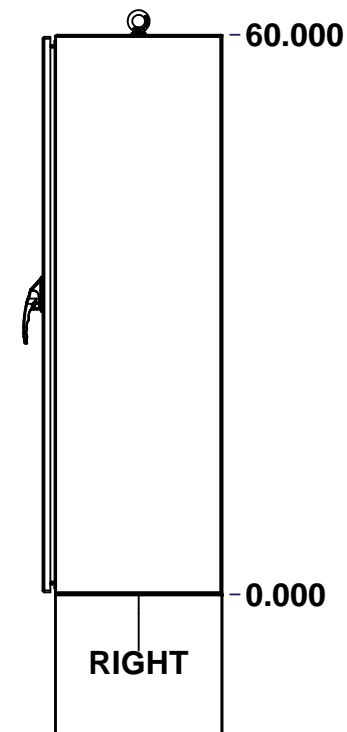
BACK



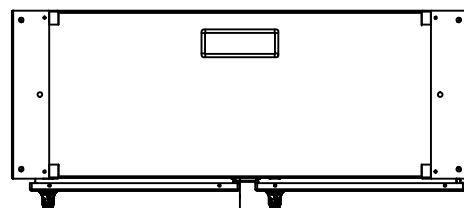
LEFT



FRONT

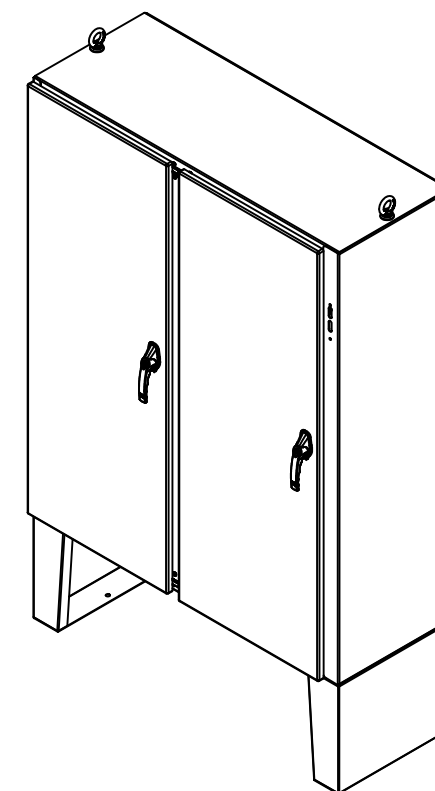


RIGHT



BOTTOM

No.	Revisions	Date	By/Par



Isometric View

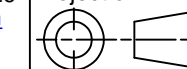


Tél: (450) 979-4373  
 Fax: (450) 979-4626  
[www.exmweb.com](http://www.exmweb.com)

Flatness  
Aplatissement

Max 3.0mm

Projection



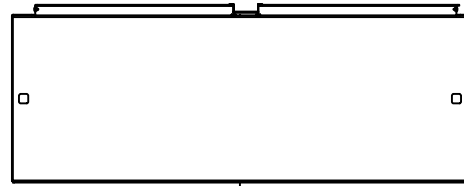
Customer Client	Date
Drawn By / Dessiné Par: BoxCad: BoxCad	Date: 25-Mar-16
Material / Matière: 12 Ga Stainless Steel 304 (2.5mm)	
Color / Couleur: Asa-61 Grey	Finish / Fini: Smooth
Description: 5500UFDSS 60" x 49" x 18" Assembly	Detail Rev.
Part Number / Numéro Pièce: 5500UFDSS604918	Rev. 1
	2

SEE BILL OF MATERIAL ON LAST PAGE

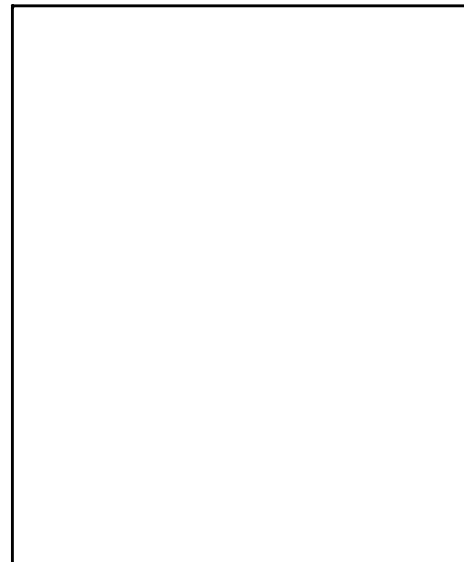


This drawing is confidential and must not be reproduced or used without the consent of EXM

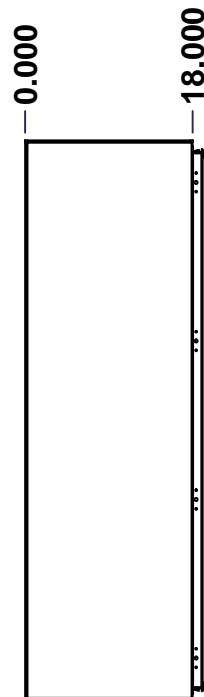
Ce dessin est confidentiel et ne doit pas être reproduit ou utilisé sans le consentement de EXM



TOP



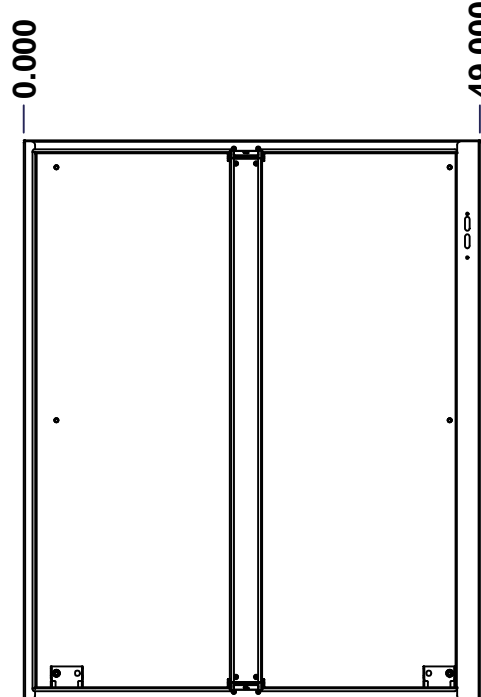
BACK



0.000

18.000

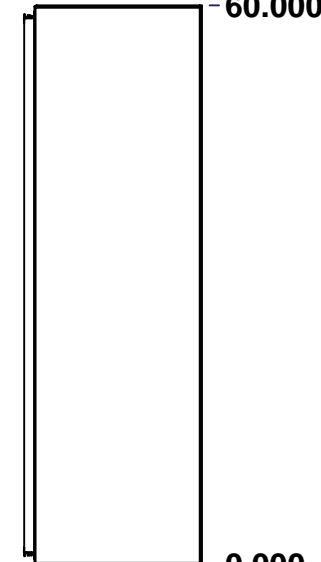
LEFT



0.000

49.000

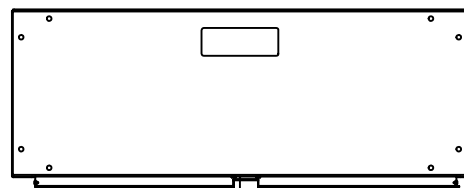
FRONT



60.000

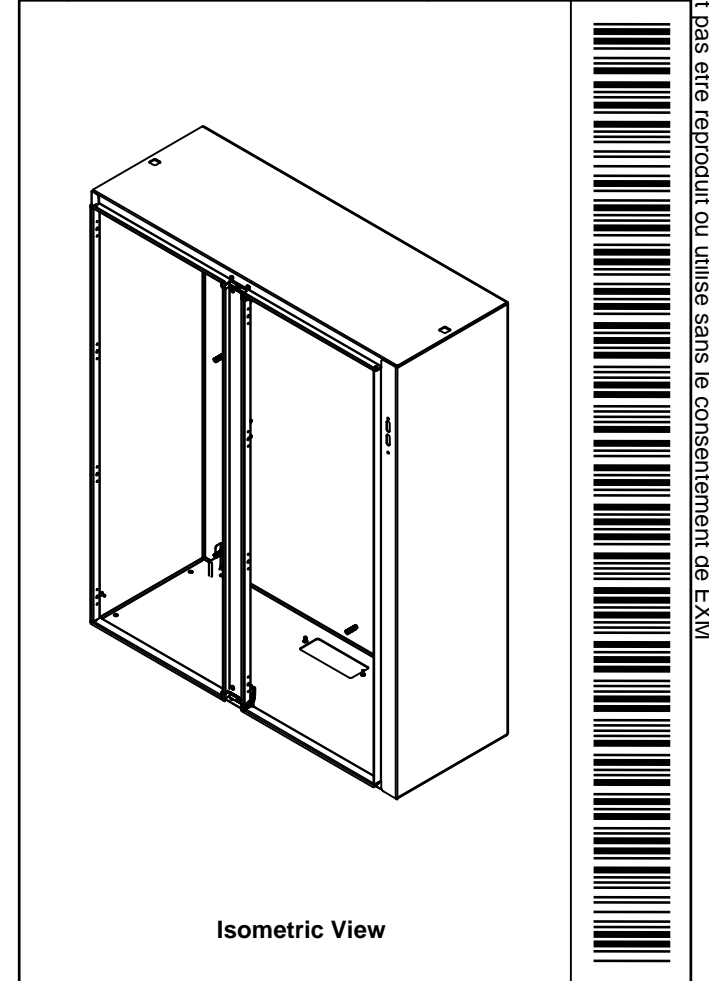
0.000

RIGHT




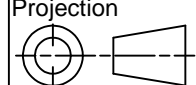
BOTTOM

No.	Revisions	Date	By/Par



Isometric View



 Tél: (450) 979-4373 Fax: (450) 979-4626 <a href="http://www.exmweb.com">www.exmweb.com</a>		Flatness Aplatissement Max 3.0mm Projection 
Customer Client	Date	
Drawn By Dessiné Par	BoxCad: BoxCad	Date 25-Mar-16
Material Matière	12 Ga Stainless Steel 304 (2.5mm)	
Color Couleur	Asa-61 Grey	Finish Finis Smooth
Description	Detail Rev.	
5500UFDSS 60" x 49" x 18" Body		
Part Number Numéro Pièce	Rev. 0	1 2
<b>5500UFDSS604918B</b>		

SEE BILL OF MATERIAL ON LAST PAGE

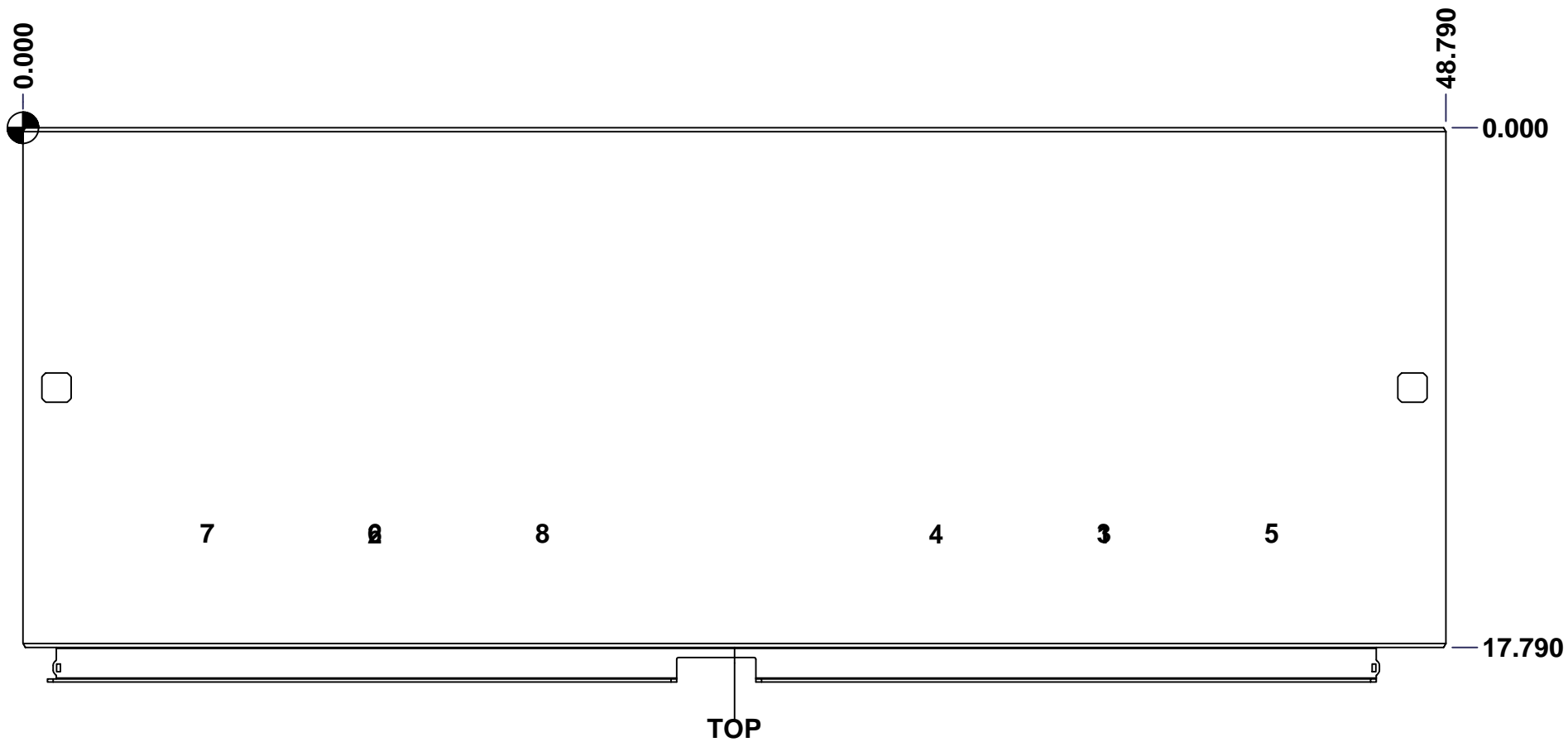
This drawing is confidential and must not be reproduced or used without the consent of EXM

Ce dessin est confidentiel et ne doit pas être reproduit ou utilisé sans le consentement de EXM

**STANDARD FEATURES ARE NOT LISTED IN THIS HOLE TABLE**

**HOLE TABLE - TOP VIEW (CUSTOM FEATURE ONLY)**

CUT-OUT	XDIM	YDIM	DESCRIPTION
1	36.895	13.895	Struts CR400 17.500" (Inside)
2	11.895	13.895	Struts CR400 17.500" (Inside)
3	36.895	13.895	STUDS M6 x 10mm (Inside)
4	31.145	13.895	STUDS M6 x 10mm (Inside)
5	42.645	13.895	STUDS M6 x 10mm (Inside)
6	11.895	13.895	STUDS M6 x 10mm (Inside)
7	6.145	13.895	STUDS M6 x 10mm (Inside)
8	17.645	13.895	STUDS M6 x 10mm (Inside)



	Description	Status	
	5500UFDSS 60" x 49" x 18" Body	Released	
	Part Number Numéro Pièce	Rev.	
	<b>5500UFDSS604918B</b>	<b>0</b>	2 / 7

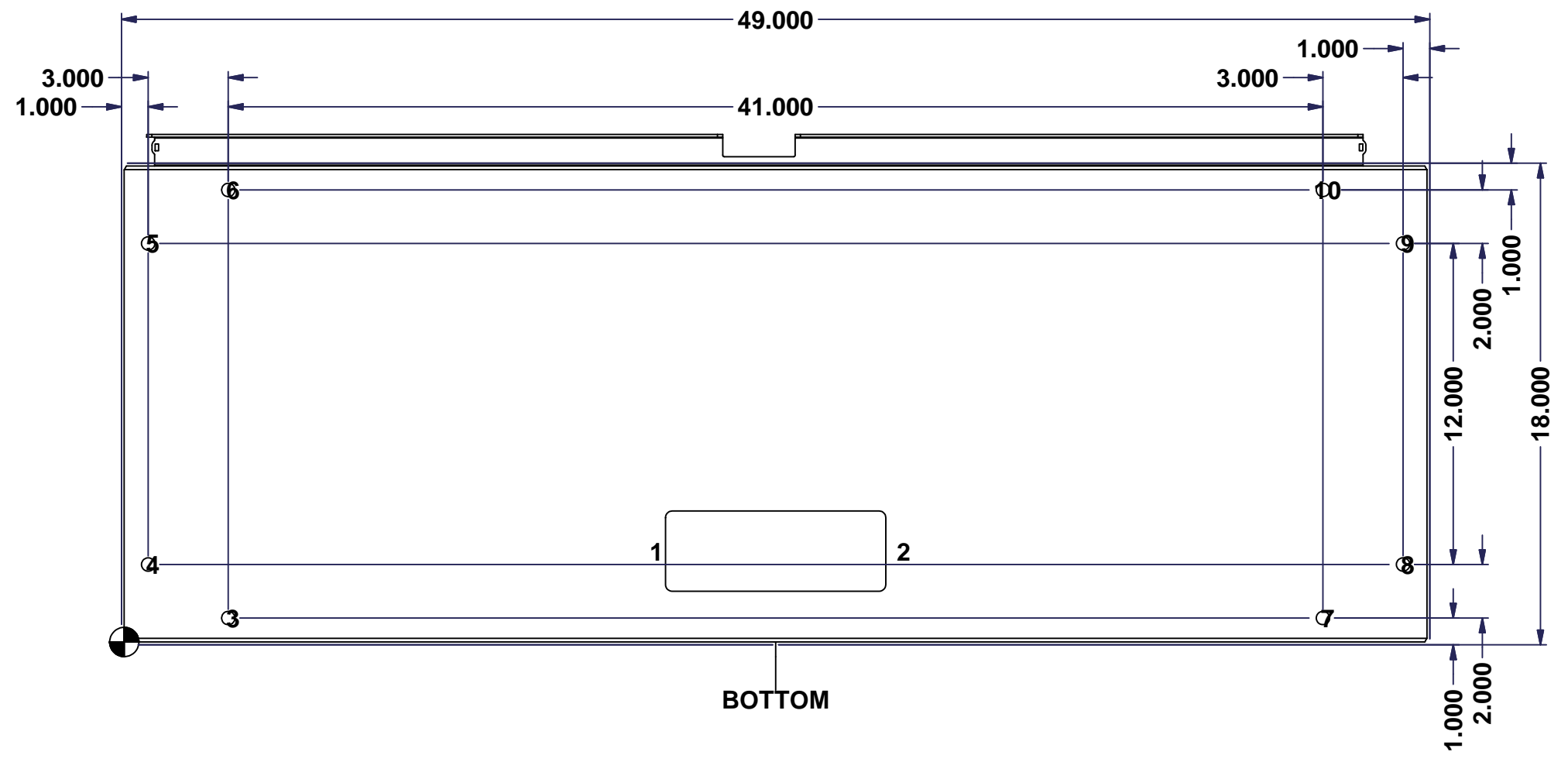
This drawing is confidential and must not be reproduced or used without the consent of EXM

Ce dessin est confidentiel et ne doit pas être reproduit ou utilisé sans le consentement de EXM

**STANDARD FEATURES ARE NOT LISTED IN THIS HOLE TABLE**

**HOLE TABLE - BOTTOM VIEW (CUSTOM FEATURE ONLY)**

CUT-OUT	XDIM	YDIM	DESCRIPTION
1	19.770	3.395	GP STUD M6 x 16mm (Inside)
2	29.020	3.395	GP STUD M6 x 16mm (Inside)
-----			
3	3.895	0.895	RND Ø0.500
4	0.895	2.895	RND Ø0.500
5	0.895	14.895	RND Ø0.500
6	3.895	16.895	RND Ø0.500
7	44.895	0.895	RND Ø0.500
8	47.895	2.895	RND Ø0.500
9	47.895	14.895	RND Ø0.500
10	44.895	16.895	RND Ø0.500

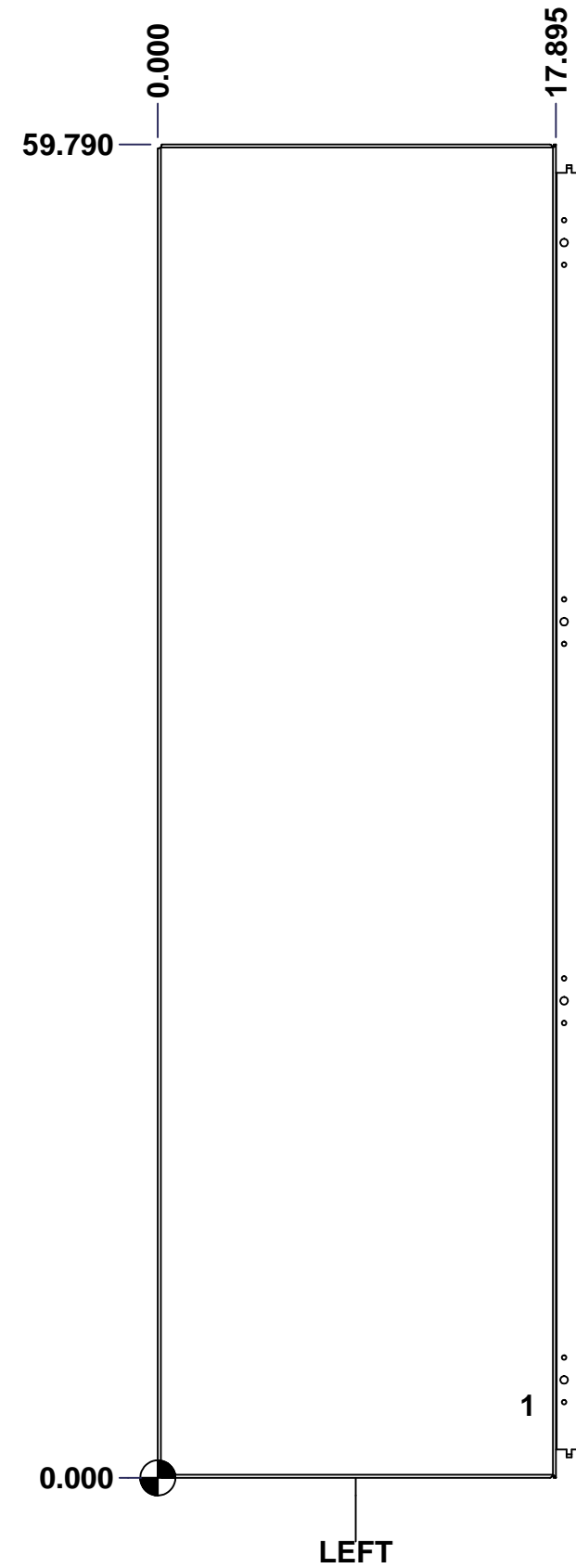


	Description		Status	
	5500UFDSS 60" x 49" x 18" Body		Released	
Part Number Numéro Pièce		Rev.	4	
<b>5500UFDSS604918B</b>		<b>0</b>	7	

This drawing is confidential and must not be reproduced or used without the consent of EXM

Ce dessin est confidentiel et ne doit pas être reproduit ou utilisé sans le consentement de EXM

<b>STANDARD FEATURES ARE NOT LISTED IN THIS HOLE TABLE</b>			
<b>HOLE TABLE - LEFT VIEW (CUSTOM FEATURE ONLY)</b>			
CUT-OUT	XDIM	YDIM	DESCRIPTION
1	16.395	3.270	GND STUD M6 x 16mm (Inside)



	Description		Status	
	5500UFDSS 60" x 49" x 18" Body		Released	
	Part Number Numéro Pièce		Rev.	5
	<b>5500UFDSS604918B</b>		<b>0</b>	7

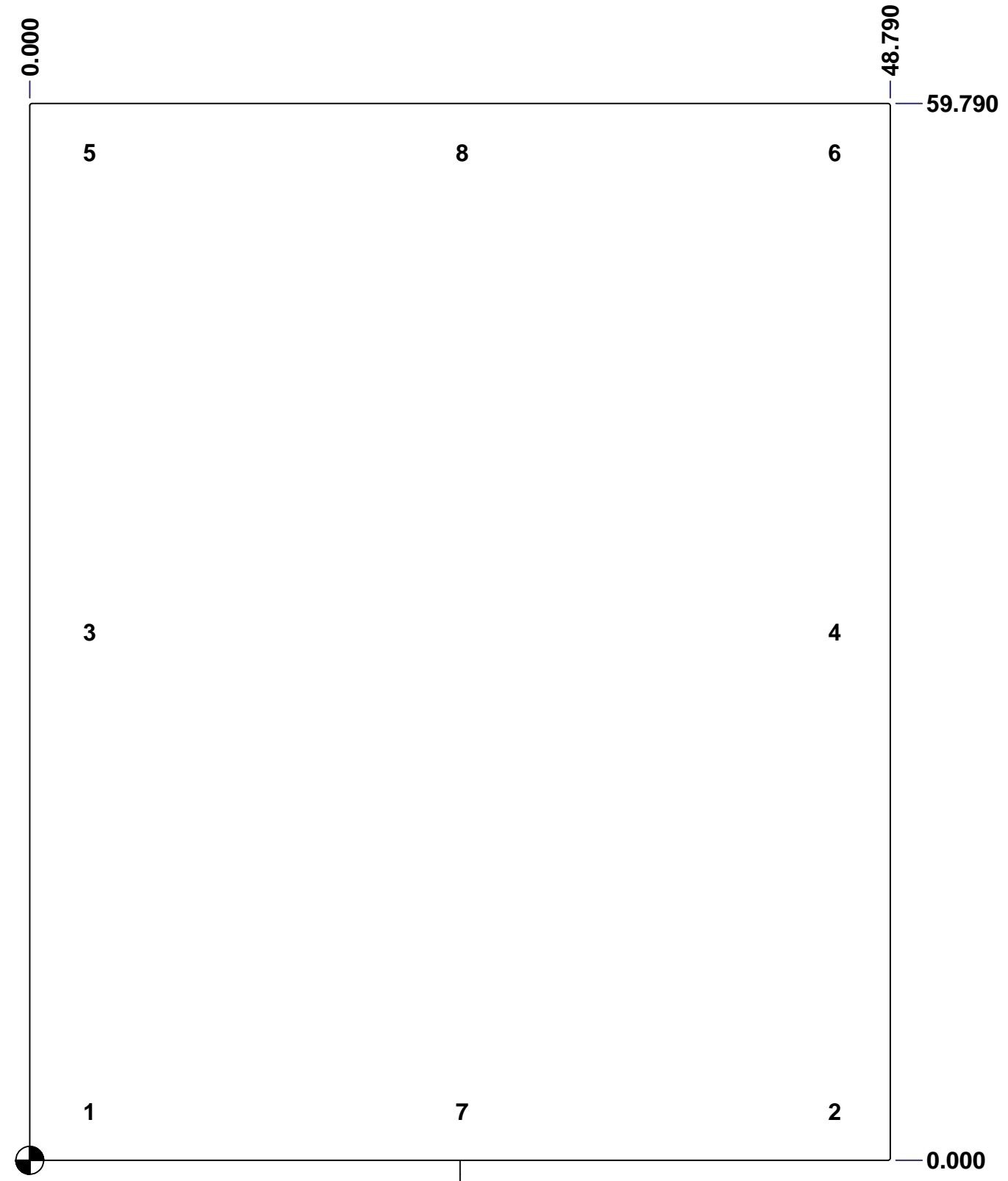
This drawing is confidential and must not be reproduced or used without the consent of EXM

Ce dessin est confidentiel et ne doit pas être reproduit ou utilisé sans le consentement de EXM

**STANDARD FEATURES ARE NOT LISTED IN THIS HOLE TABLE**

**HOLE TABLE - BACK VIEW (CUSTOM FEATURE ONLY)**

CUT-OUT	XDIM	YDIM	DESCRIPTION
1	3.145	2.770	IP STUD M10 x 40mm (Inside)
2	45.395	2.770	IP STUD M10 x 40mm (Inside)
3	3.145	29.895	IP STUD M10 x 40mm (Inside)
4	45.395	29.895	IP STUD M10 x 40mm (Inside)
5	3.145	57.020	IP STUD M10 x 40mm (Inside)
6	45.395	57.020	IP STUD M10 x 40mm (Inside)
7	24.270	2.770	IP STUD M10 x 40mm (Inside)
8	24.270	57.020	IP STUD M10 x 40mm (Inside)



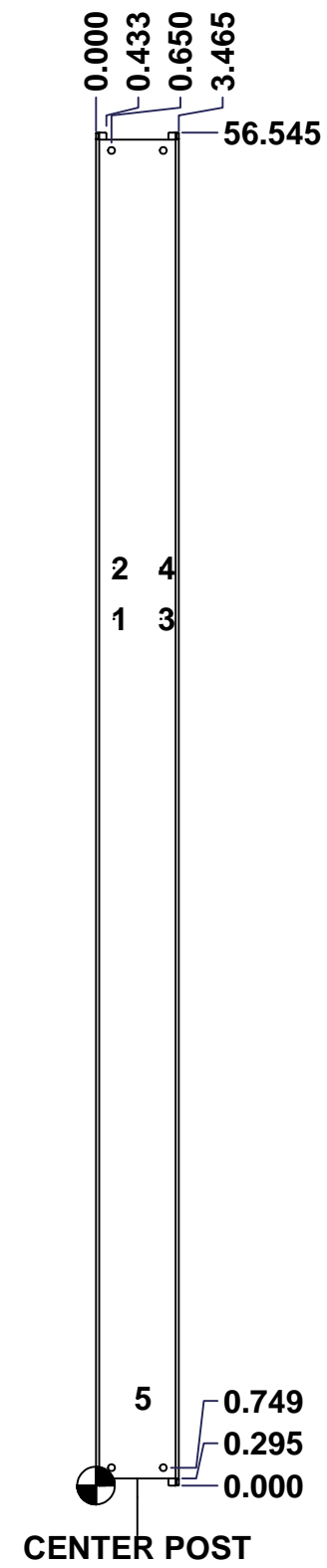
BACK

	Description		Status	
	5500UFDSS 60" x 49" x 18" Body		Released	
Part Number Numéro Pièce		Rev.	6	
<b>5500UFDSS604918B</b>		<b>0</b>	7	

This drawing is confidential and must not be reproduced or used without the consent of EXM

Ce dessin est confidentiel et ne doit pas être reproduit ou utilisé sans le consentement de EXM

STANDARD FEATURES ARE NOT LISTED IN THIS HOLE TABLE			
HOLE TABLE - CENTER VIEW (CUSTOM FEATURE ONLY)			
CUT-OUT	XDIM	YDIM	DESCRIPTION
1	0.748	36.220	INTERLOCK STUD M6 x 16mm (Inside)
2	0.748	38.346	INTERLOCK STUD M6 x 16mm (Inside)
3	2.717	36.220	INTERLOCK STUD M6 x 16mm (Inside)
4	2.717	38.346	INTERLOCK STUD M6 x 16mm (Inside)
5	1.732	3.648	GND STUD M6 x 16mm (Inside)



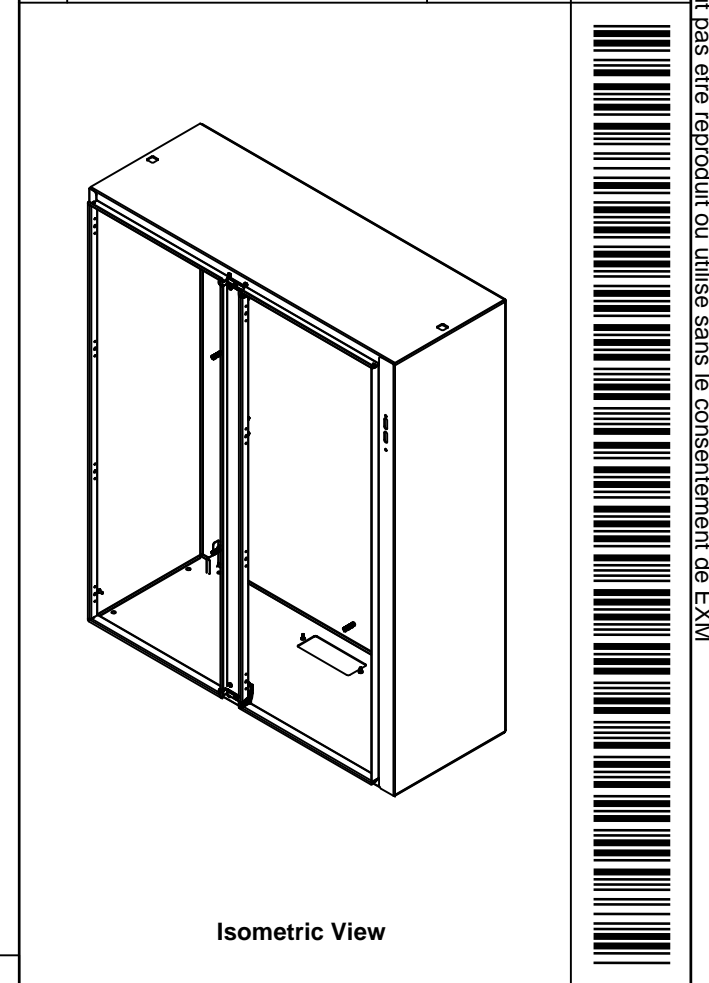
	Description	Status
	5500UFDSS 60" x 49" x 18" Body	Released
Part Number Numéro Pièce <b>5500UFDSS604918B</b>	Rev.	6
	<b>0</b>	7



This drawing is confidential and must not be reproduced or used without the consent of EXM

Ce dessin est confidentiel et ne doit pas être reproduit ou utilisé sans le consentement de EXM

No.	Revisions	Date	By/Par



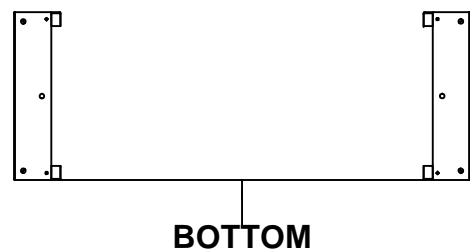
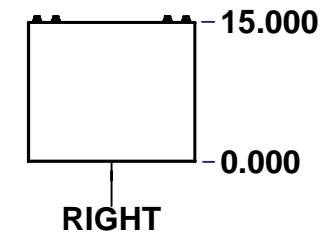
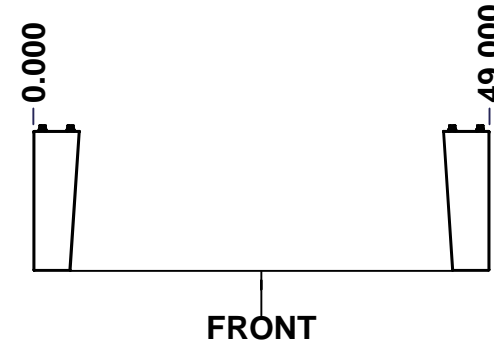
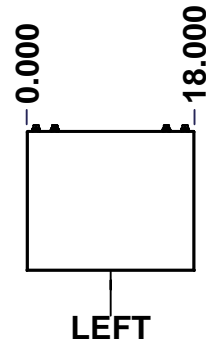
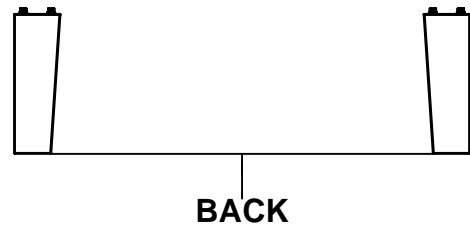
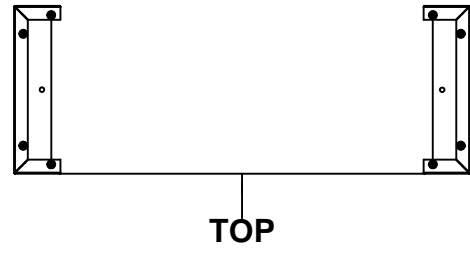
Isometric View

6	STK-Q-16040	0	Stud M6 x 10mm Stainless Steel
1	STK-Q-16085	0	Ground Stud M6 x 16mm Stainless Steel
6	STK-Q-07220	1	M6 Nylon Insert Lock Nut
1	STK-P-02400S	0	Powder Paint (Asa-61 Grey / Smooth)
3	STK-Q-16095	0	M6 x 16mm Stainless Steel Ground Stud
4	STK-Q-16070	1	Stud M6 x 18mm Stainless steel
1	STK-A-75456	2	Center Post - Stainless Steel Sealing Block with Latch Assembly (Large)
1	5500UFDSS604918CP-P	0	5500UFDSS 60" Center Post Part
2	STK-Q-07320	0	Flange Lock Nut M10
2	STK-Q-07618	1	5500 Series Inner Panel Support Bracket
8	STK-Q-16120	0	Stud M10 x 40mm Stainless Steel
1	5500UFDSS604918BT-P	0	5500UFDSS 49" x 18" Bottom Part
1	5500UFDSS604918T-P	0	5500UFDSS 49" x 18" Top Part
1	5500UFDSS604918RS-P	0	5500UFDSS 60" x 49" Right Part
1	5500UFDSS604918LS-P	0	5500UFDSS 60" x 49" Left Part
1	5500UFDSS604918B-P	0	5500UFDSS 60" x 49" Back Part
2	CR400SS_17.5	0	Commercial Roll Stainless Steel (17.5in long)
Qty	Part Number	Rev	Description
Parts List			

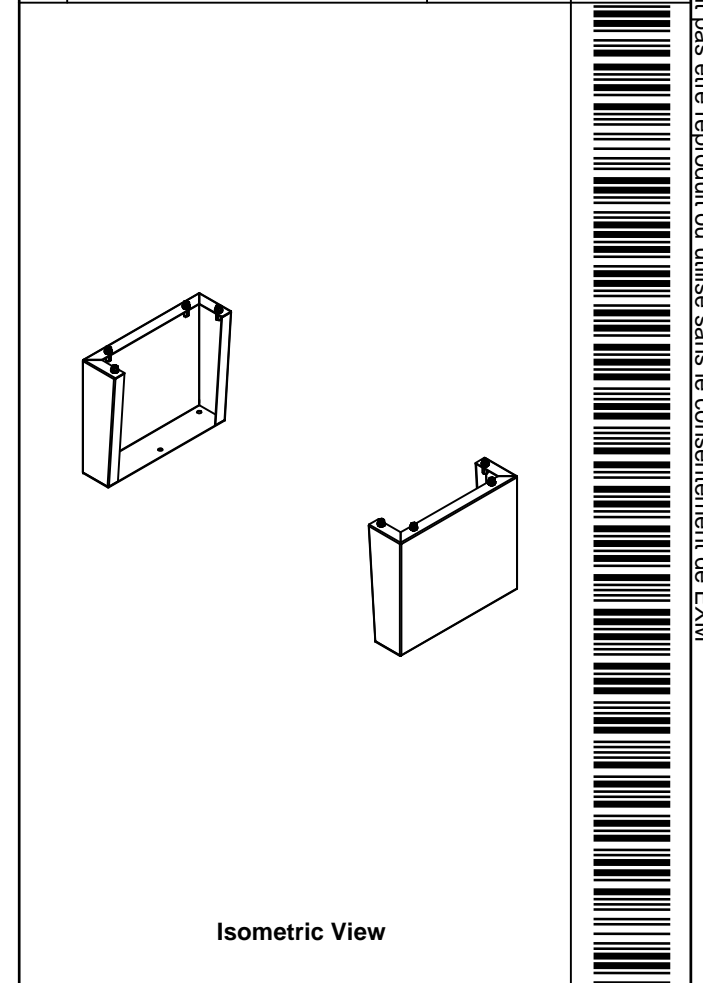
Tél: (450) 979-4373 Fax: (450) 979-4626 <a href="http://www.exmweb.com">www.exmweb.com</a>	Flatness Aplatissement
	Max 3.0mm
Projection	
Customer Client	Date
Drawn By Dessiné Par	Date 25-Mar-16
Material Matière	12 Ga Stainless Steel 304 (2.5mm)
Color Couleur	Asa-61 Grey
Finish Fini	Smooth
Description	Detail Rev.
5500UFDSS 60" x 49" x 18" Body	
Part Number Numéro Pièce	Rev. 2
<b>5500UFDSS604918B</b>	<b>0</b>


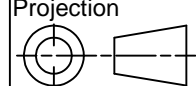
This drawing is confidential and must not be reproduced or used without the consent of EXM

Ce dessin est confidentiel et ne doit pas être reproduit ou utilisé sans le consentement de EXM



No.	Revisions	Date	By/Par



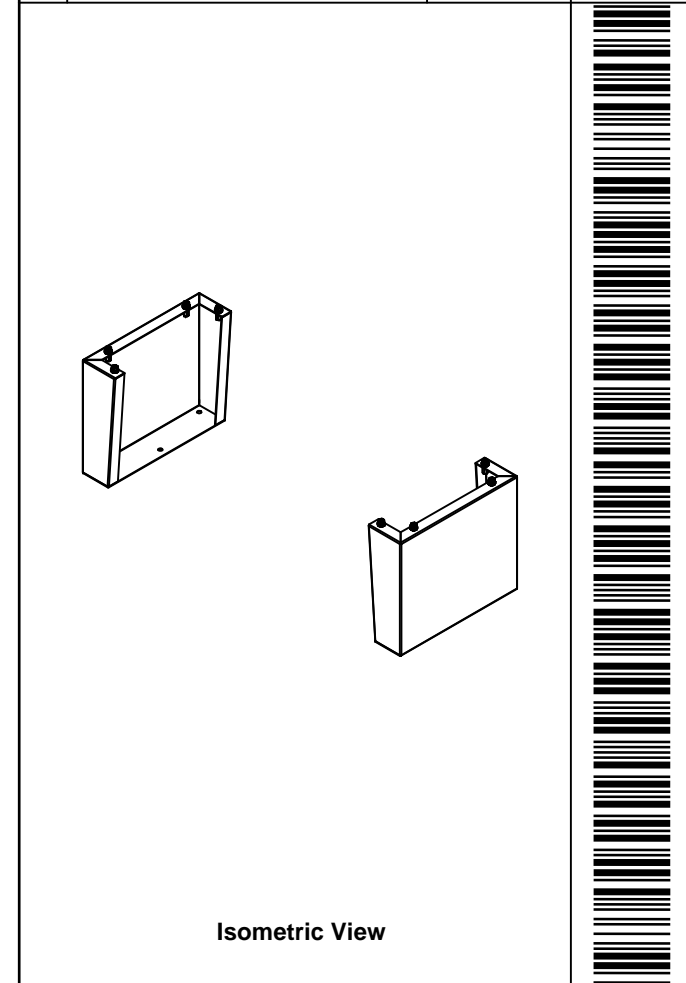
 Tél: (450) 979-4373 Fax: (450) 979-4626 <a href="http://www.exmweb.com">www.exmweb.com</a>		Flatness Aplatissement Max 3.0mm Projection 
Customer Client	Date	
Drawn By Dessiné Par	BoxCad: BoxCad	Date 25-Mar-16
Material Matière	12 Ga Stainless Steel 304 (2.5mm)	
Color Couleur	Asa-61 Grey	Finish Fini Smooth
Description	Detail Rev.	
885 MFHD 15" x 18" Mounting Feet		
Part Number Numéro Pièce	Rev.	1
<b>5500UFDSS604918MF</b>	<b>0</b>	4


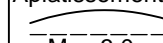
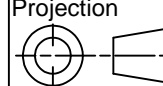
**SEE BILL OF MATERIAL ON LAST PAGE**

This drawing is confidential and must not be reproduced or used without the consent of EXM

Ce dessin est confidentiel et ne doit pas être reproduit ou utilisé sans le consentement de EXM

No.	Revisions	Date	By/Par

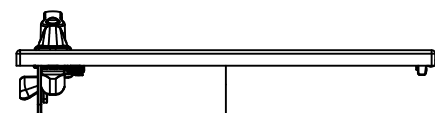


 Tél: (450) 979-4373 Fax: (450) 979-4626 <a href="http://www.exmweb.com">www.exmweb.com</a>		Flatness Aplatissement  Max 3.0mm Projection 
Customer Client	Date	
Drawn By Dessiné Par	BoxCad: BoxCad	Date 25-Mar-16
Material Matière	12 Ga Stainless Steel 304 (2.5mm)	
Color Couleur	Asa-61 Grey	Finish Fini Smooth
Description	Detail Rev.	
885 MFHD 15" x 18" Mounting Feet		
Part Number Numéro Pièce	Rev. 4	4
<b>5500UFDSS604918MF</b>		<b>0</b>

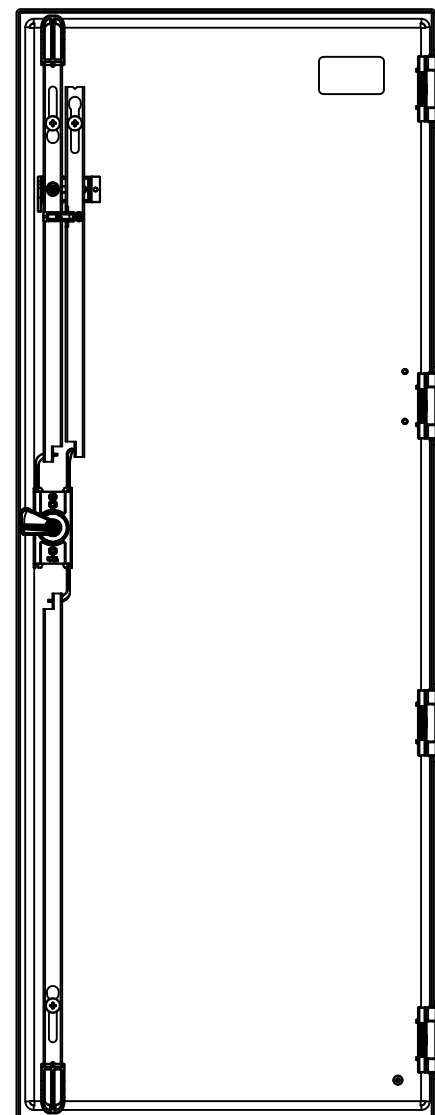
Qty	Part Name	Rev	Description
1	STK-P-02400S	0	Powder Paint (Asa-61 Grey / Smooth)
8	RIVET_NUT_SS_M10_FH_CE	0	Stainless Steel Rivet Nut M10 (Low Profile Close End)
1	5500UFDSS604918MFR-P	0	885 MFHD 15" x 18" Right Mounting Feet Part
1	5500UFDSS604918MFL-P	0	885 MFHD 15" x 18" Left Mounting Feet Part
1	STK-K-11610	2	885 MFSS Accessory Kit
Parts List			

This drawing is confidential and must not be reproduced or used without the consent of EXM

Ce dessin est confidentiel et ne doit pas être reproduit ou utilisé sans le consentement de EXM



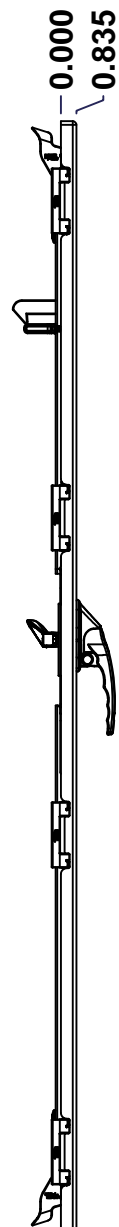
TOP



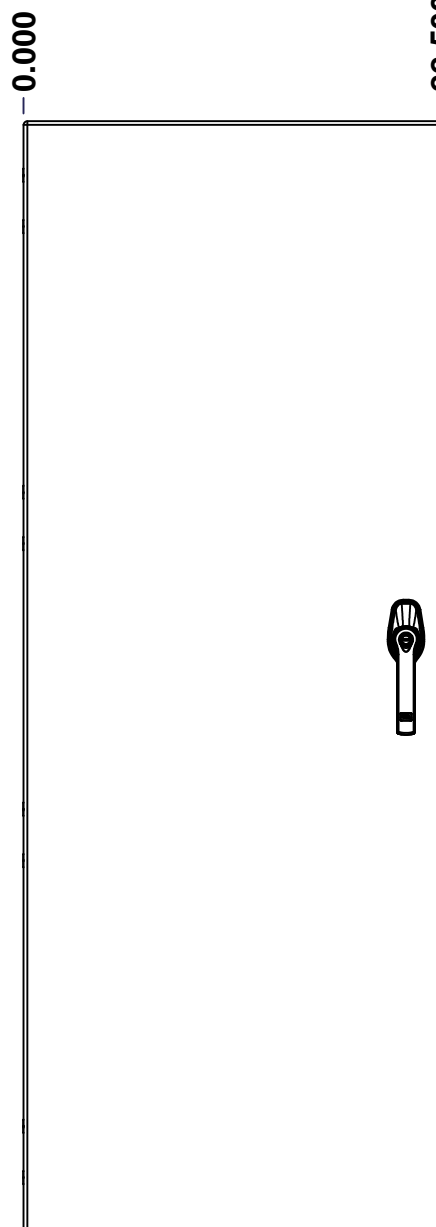
BACK



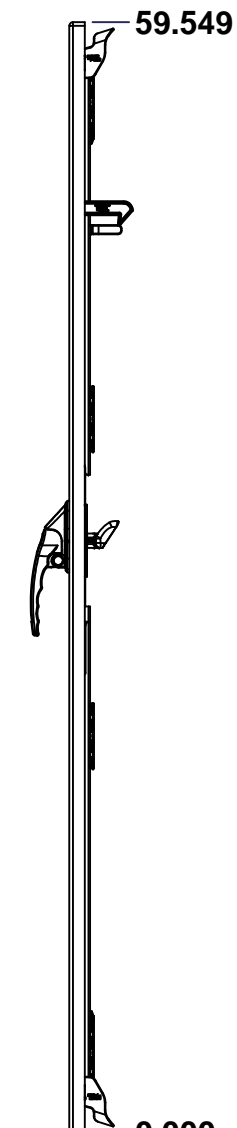
BOTTOM



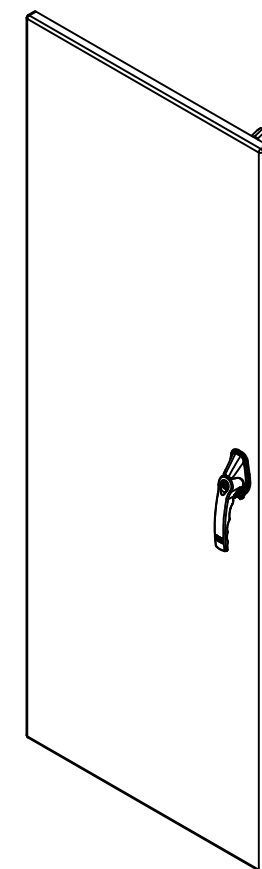
LEFT



FRONT




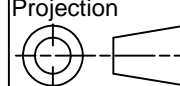
RIGHT



Isometric View



No.	Revisions	Date	By/Par

 Tél: (450) 979-4373 Fax: (450) 979-4626 <a href="http://www.exmweb.com">www.exmweb.com</a>		Flatness Aplatissement Max 3.0mm Projection 
Customer Client	Date	Date
Drawn By Dessiné Par	BoxCad: BoxCad	25-Mar-16
Material Matière	12 Ga Stainless Steel 304 (2.5mm)	
Color Couleur	Asa-61 Grey	Finish Fini: Smooth
Description	5500UFDSS 60" x 49" Lock Door	
Part Number Numéro Pièce	Rev. 0	1 / 3

SEE BILL OF MATERIAL ON LAST PAGE

**5500UFDSS604918LD**

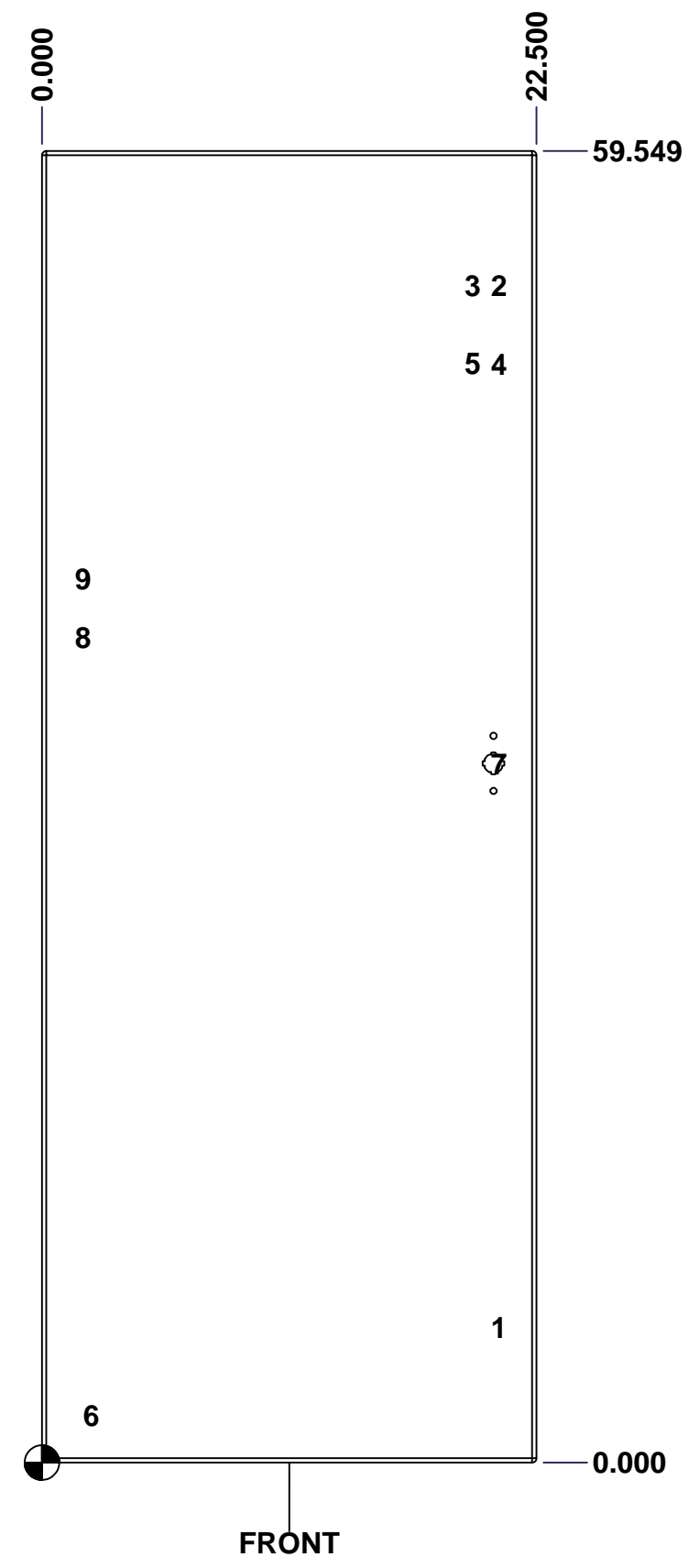
This drawing is confidential and must not be reproduced or used without the consent of EXM

Ce dessin est confidentiel et ne doit pas être reproduit ou utilisé sans le consentement de EXM

**STANDARD FEATURES ARE NOT LISTED IN THIS HOLE TABLE**

**HOLE TABLE - FRONT VIEW (CUSTOM FEATURE ONLY)**

CUT-OUT	XDIM	YDIM	DESCRIPTION
1	20.544	6.118	STUD M6 x 18mm (Inside)
2	20.544	53.430	STUD M6 x 18mm (Inside)
3	19.357	53.430	STUD M6 x 18mm (Inside)
4	20.544	49.886	STUD M6 x 18mm (Inside)
5	19.357	49.886	STUD M6 x 18mm (Inside)
-----	-----	-----	-----
6	2.000	2.118	GND STUD M6 x 16mm (Inside)
7	20.544	31.743	HANDLE 885 ESL2A-APHDSS @ 0.0°
8	1.625	37.445	STUDS M6 x 18mm (Inside)
9	1.625	40.123	STUDS M6 x 18mm (Inside)



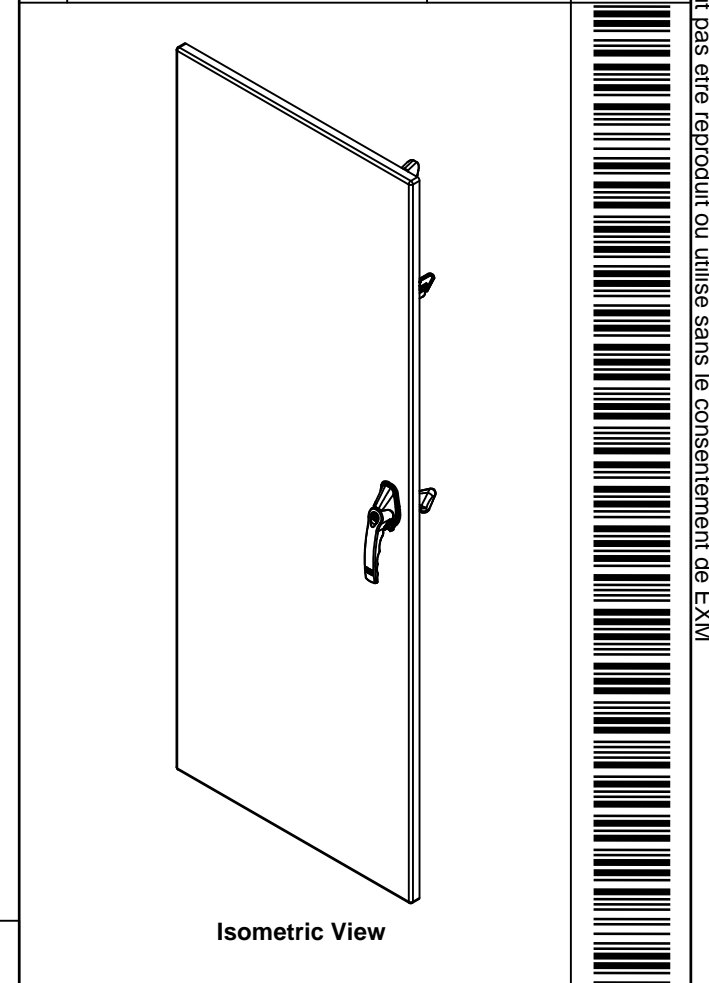
FRONT

	Description	Status
	5500UFDSS 60" x 49" Lock Door	(NULL)
	Part Number Numéro Pièce	Rev.
	<b>5500UFDSS604918LD</b>	<b>0</b>
		2
		3

This drawing is confidential and must not be reproduced or used without the consent of EXM

Ce dessin est confidentiel et ne doit pas être reproduit ou utilisé sans le consentement de EXM

No.	Revisions	Date	By/Par



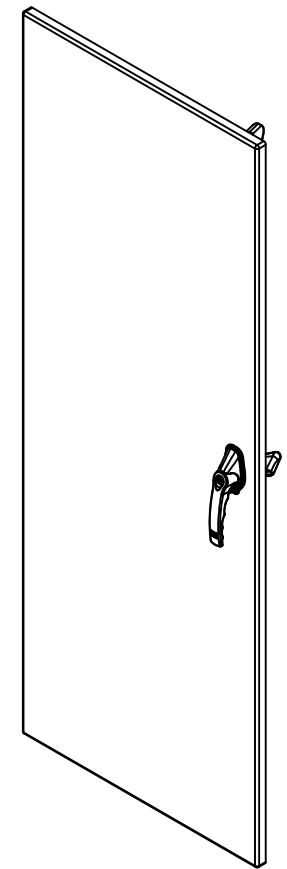
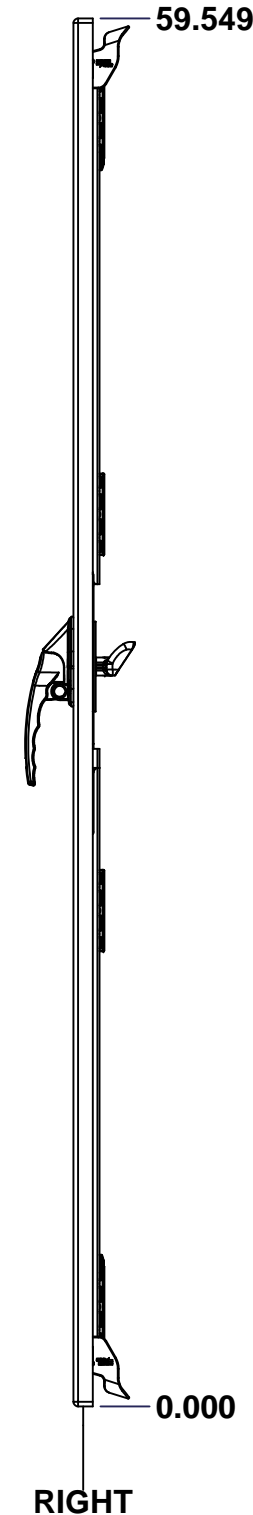
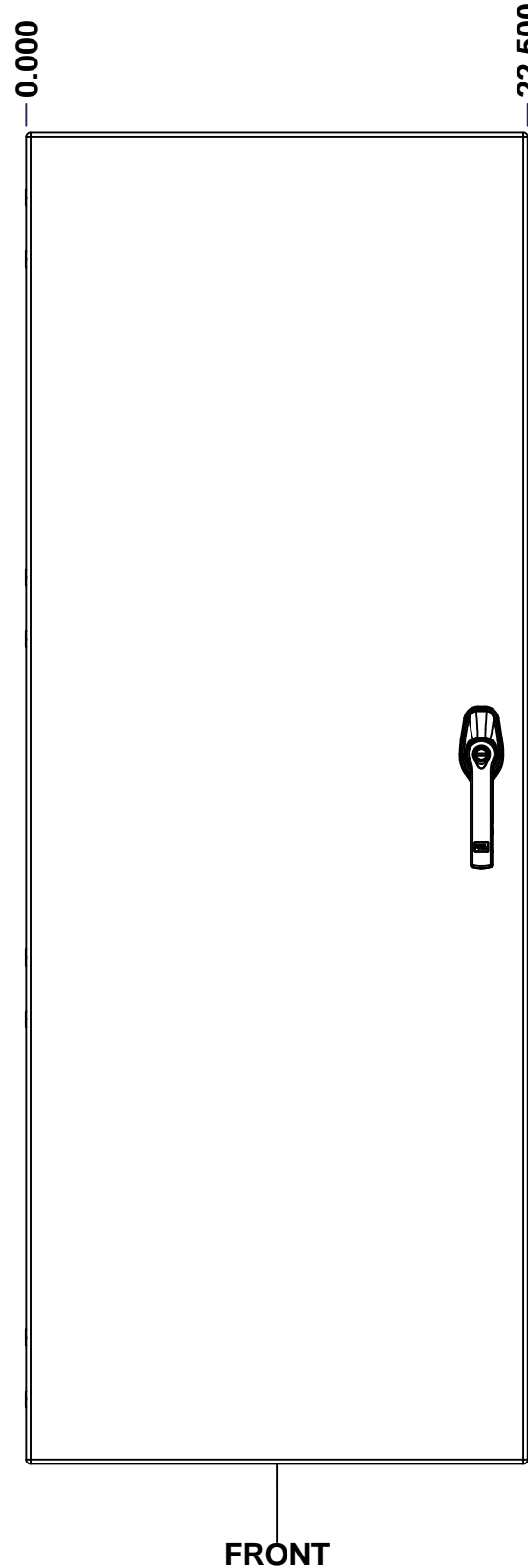
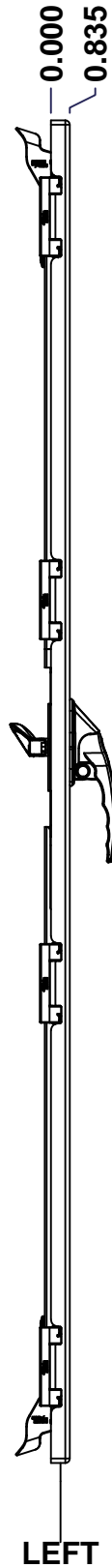
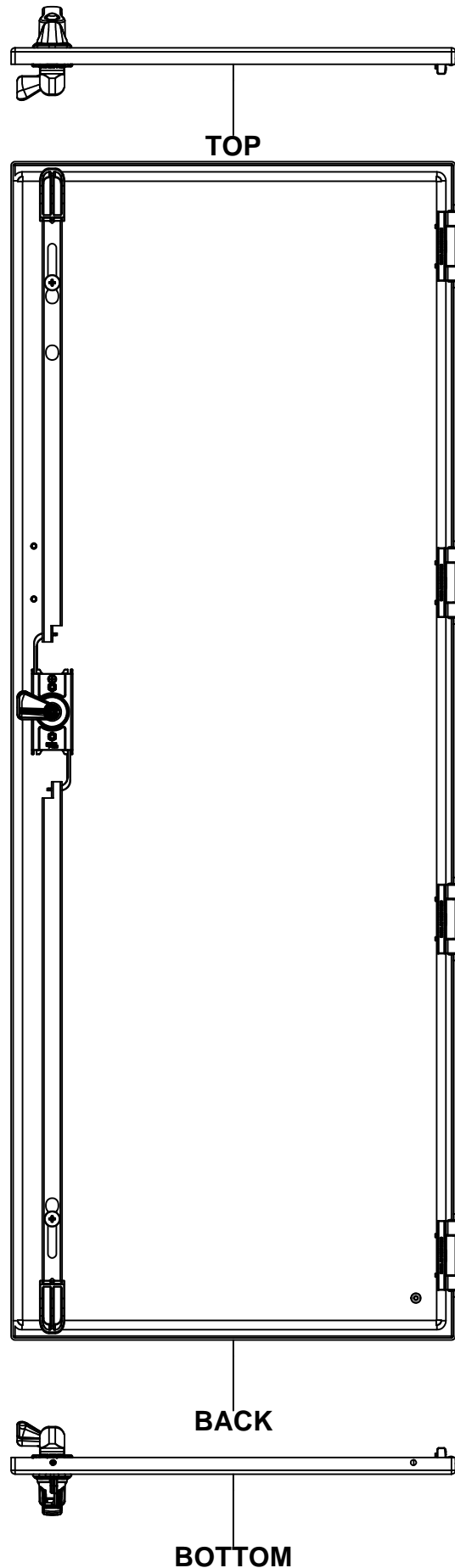
1	5500UFDSS604918DB_ESY	0	5500UFDSS 60" Disconnect Defeater Bar
1	5500UFDSS604918CB	0	5500UFDSS 60" Closing Bar
1	5500UFDSS604918CB_ESY	0	5500UFDSS 60" Disconnect Closing Bar
1	STK-K-03895-36	3	Gearbox Clockwise Assembly (Grip 36mm)
1	885ESL-APHDSS	1	885 ESL2A-APHDSS - Stainless Steel L-Handle Padlockable Assy - Slot Cylinder
1	STK-Q-16085	0	Ground Stud M6 x 16mm Stainless Steel
1	STK-P-02400S	0	Powder Paint (Asa-61 Grey / Smooth)
1	STK-S-00100	0	3.5" x 2" Silver Milar Flexcon Sticker
1	STK-Q-07220	1	M6 Nylon Insert Lock Nut
1	5500UFDSS604918LDG	0	5500UFDSS 60" x 49" Lock Door Gasket
1	STK-Q-13060	1	M6 Flat Washer
1	STK-Q-46600	3	5500 ESY Disconnect Door Hook
7	STK-Q-16070	1	Stud M6 x 18mm Stainless Steel
1	5500UFDSS604918LD-P	0	5500UFDSS 60" x 49" Lock Door Part
4	STK-K-09870	7	Cabinet Hinge with Captive Pins
Qty	Part Name	Rev	Description

Tél: (450) 979-4373 Fax: (450) 979-4626 <a href="http://www.exmweb.com">www.exmweb.com</a>		Flatness Aplatissement Max 3.0mm Projection 
Customer Client	Date	
Drawn By Dessiné Par	BoxCad: BoxCad	Date 25-Mar-16
Material Matière	12 Ga Stainless Steel 304 (2.5mm)	
Color Couleur	Asa-61 Grey	Finish Fini Smooth
Description	5500UFDSS 60" x 49" Lock Door	
Part Number Numéro Pièce	Rev. 0	3
<b>5500UFDSS604918LD</b>		<b>3</b>

Parts List

This drawing is confidential and must not be reproduced or used without the consent of EXM


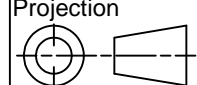
Ce dessin est confidentiel et ne doit pas être reproduit ou utilisé sans le consentement de EXM



Isometric View



No.	Revisions	Date	By/Par

 Tél: (450) 979-4373 Fax: (450) 979-4626 <a href="http://www.exmweb.com">www.exmweb.com</a>		Flatness Aplatissement Max 3.0mm Projection 
Customer Client	BoxCad: BoxCad	Date 25-Mar-16
Material Matière 12 Ga Stainless Steel 304 (2.5mm)		Date
Color Couleur Asa-61 Grey	Finish Fini Smooth	Date
Description 5500UFDSS 60" x 49" Lock Door		Detail Rev.
Part Number Numéro Pièce 5500UFDSS604918FD	Rev. 0	1 / 3

SEE BILL OF MATERIAL ON LAST PAGE

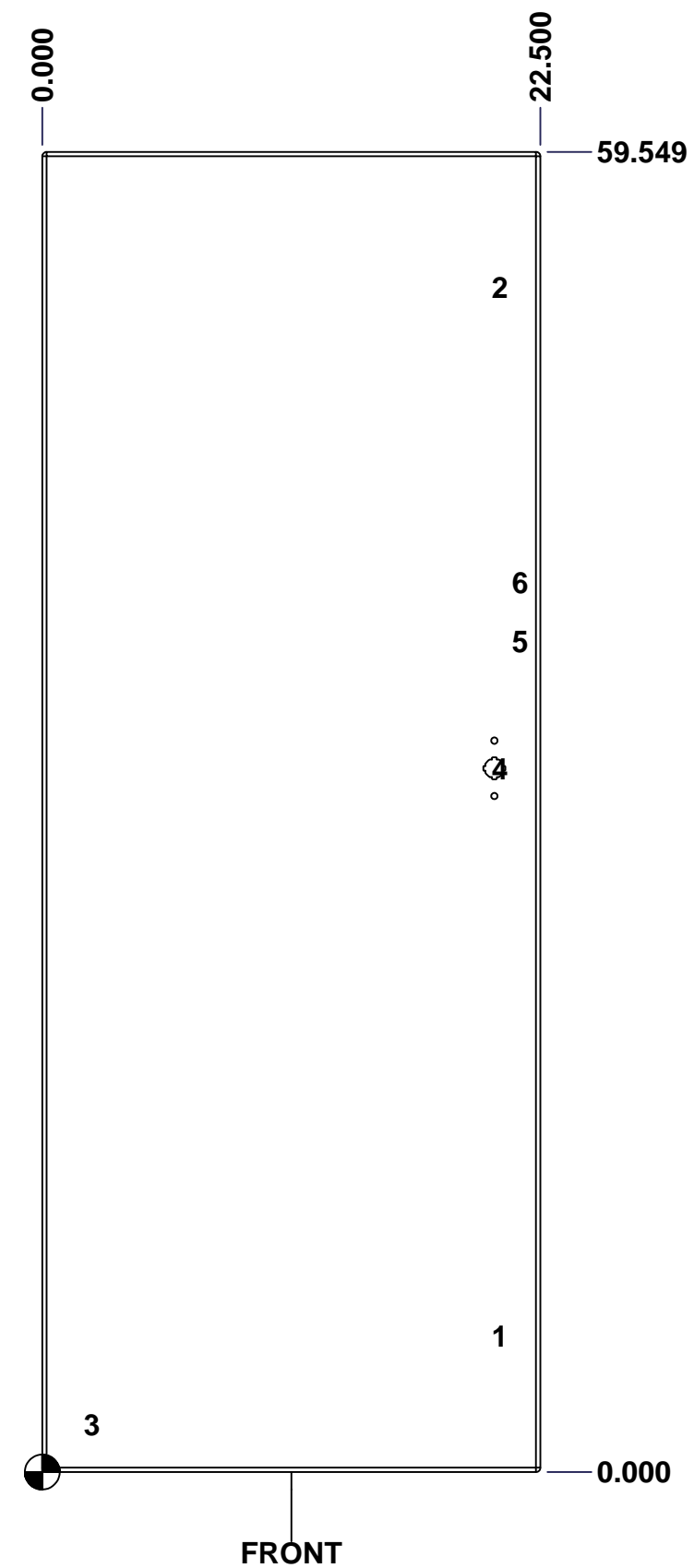
This drawing is confidential and must not be reproduced or used without the consent of EXM

Ce dessin est confidentiel et ne doit pas être reproduit ou utilisé sans le consentement de EXM

**STANDARD FEATURES ARE NOT LISTED IN THIS HOLE TABLE**

**HOLE TABLE - FRONT VIEW (CUSTOM FEATURE ONLY)**

CUT-OUT	XDIM	YDIM	DESCRIPTION
1	20.419	6.118	CLOSING BAR GUIDE (Inside)
2	20.419	53.430	CLOSING BAR GUIDE (Inside)
-----	-----	-----	-----
3	2.000	2.118	GND STUD M6 x 16mm (Inside)
4	20.419	31.743	HANDLE 885 ESL2A-APHDSS @ 0.0°
5	21.347	37.445	STUDS M6 x 18mm (Inside)
6	21.347	40.123	STUDS M6 x 18mm (Inside)



	Description	Status
	5500UFDSS 60" x 49" Lock Door	(NULL)
	Part Number Numéro Pièce	Rev.
	<b>5500UFDSS604918FD</b>	<b>0</b>
		2
		3



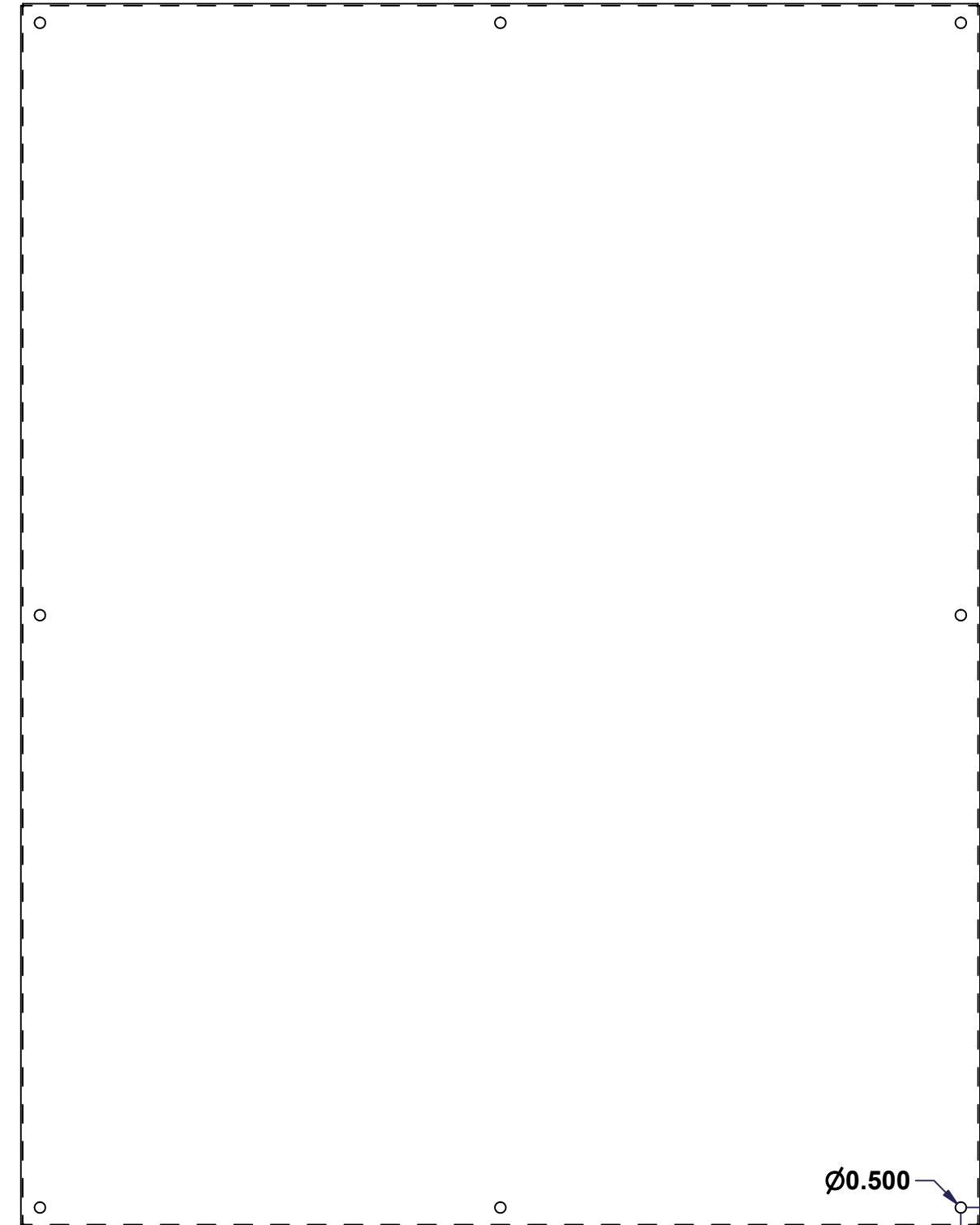


This drawing is confidential and must not be reproduced or used without the consent of EXM

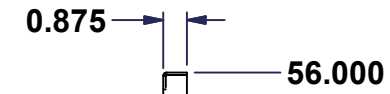
Ce dessin est confidentiel et ne doit pas être reproduit ou utilisé sans le consentement de EXM



TOP



FRONT



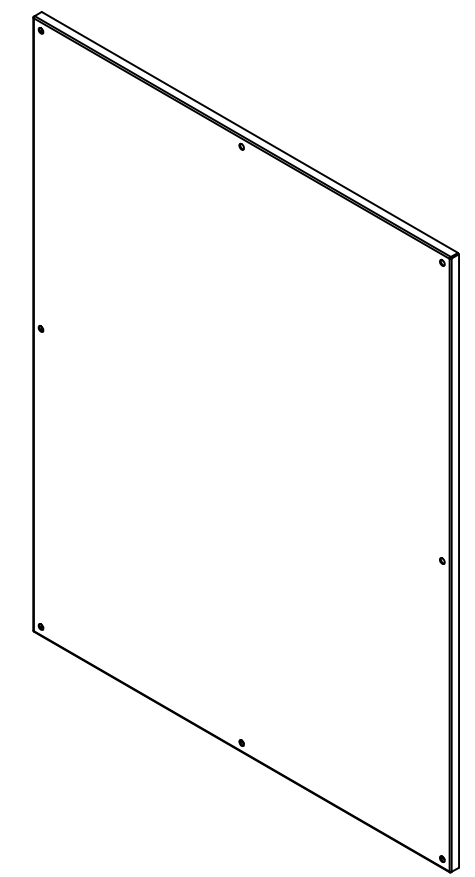
56.000

0.000

RIGHT

SEE BILL OF MATERIAL ON LAST PAGE

No.	Revisions	Date	By/Par



Isometric View

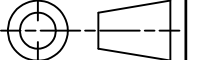


Tél: (450) 979-4373  
 Fax: (450) 979-4626  
 www.exmweb.com

Flatness  
Aplatissement

Max 3.0mm

Projection



Customer Client	Date
Drawn By / Dessiné Par: BoxCad	Date: 04/11/2009
Material / Matière: 12 Ga Galvanized (2.5mm)	

Color / Couleur: Unpainted	Finish / Fini: Unpainted
----------------------------	--------------------------

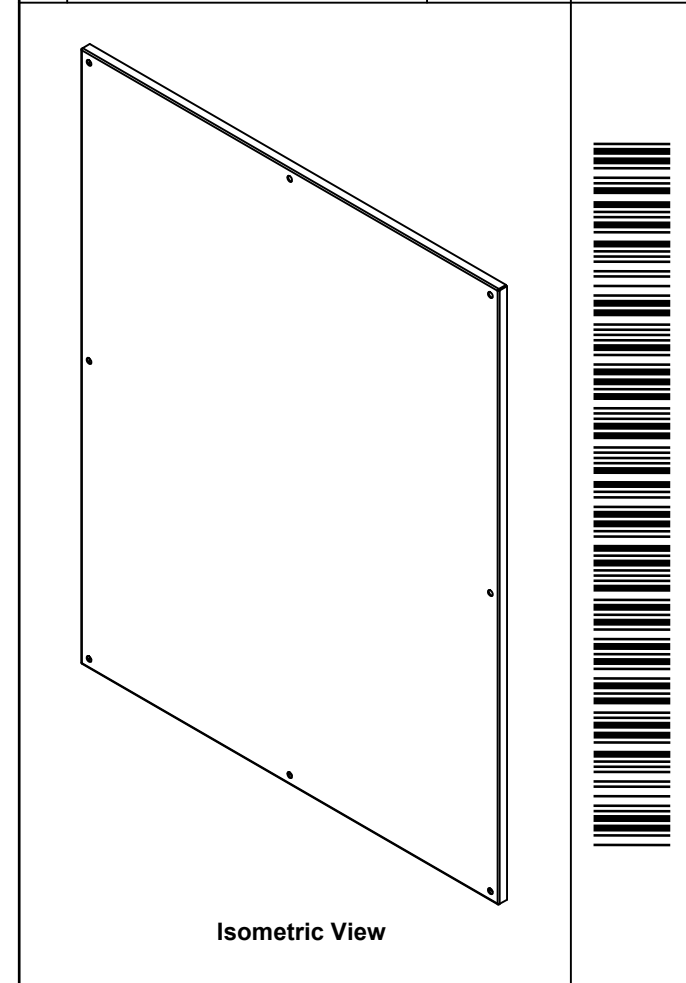
Description: 885 SP6048G Inner Panel	Detail Rev.
--------------------------------------	-------------


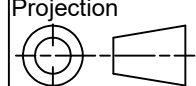
Part Number / Numéro Pièce: 885SP6048G	Rev. 1	2
	0	

This drawing is confidential and must not be reproduced or used without the consent of EXM

Ce dessin est confidentiel et ne doit pas être reproduit ou utilisé sans le consentement de EXM

No.	Revisions	Date	By/Par



 Tél: (450) 979-4373 Fax: (450) 979-4626 www.exmweb.com		Flatness Aplatissement Max 3.0mm
Projection 		Date
Customer Client	Date 04/11/2009	
Drawn By Dessiné Par	BoxCad	Date
Material Matière	12 Ga Galvanized (2.5mm)	
Color Couleur	Unpainted	Finish Fini Unpainted
Description	Detail Rev.	
885 SP6048G Inner Panel		
Part Number Numéro Pièce	Rev. 0	2
<b>885SP6048G</b>	2	

Qty	Part Number	Rev	Description
1	885SP6048G-P	0	885 SP6048G Inner Panel Part
Parts List			