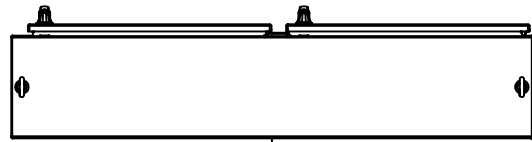
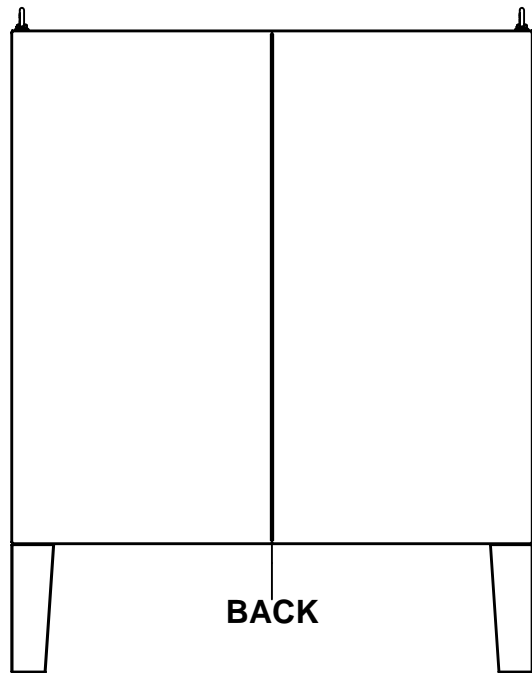


This drawing is confidential and must not be reproduced or used without the consent of EXM

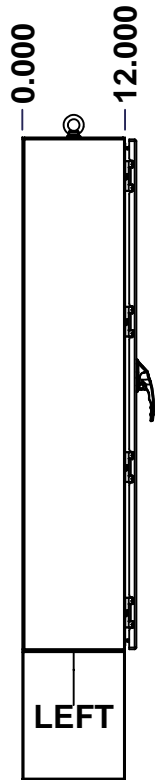
Ce dessin est confidentiel et ne doit pas être reproduit ou utilisé sans le consentement de EXM



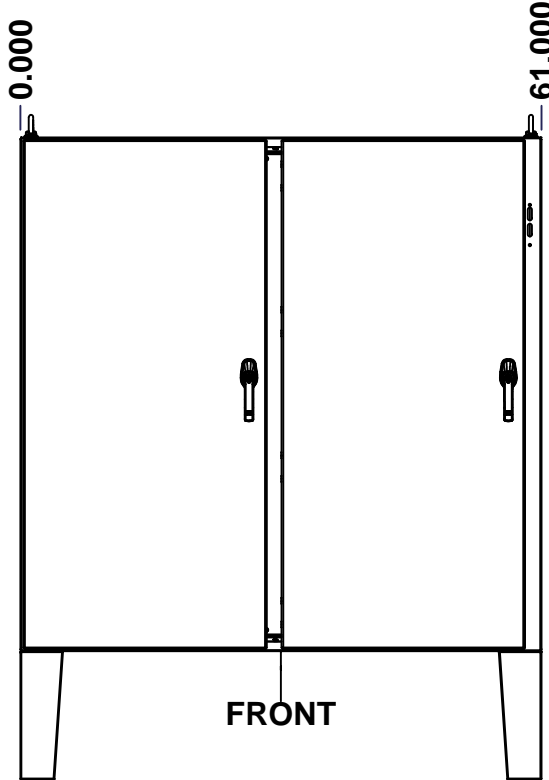
TOP



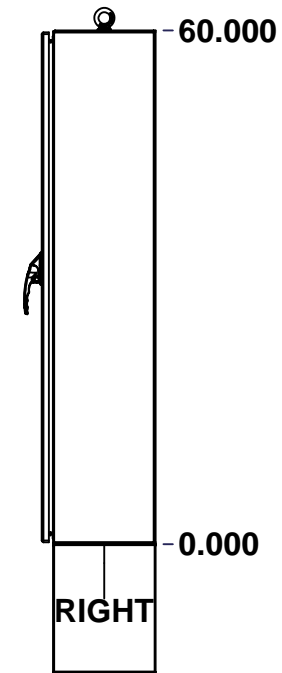
BACK



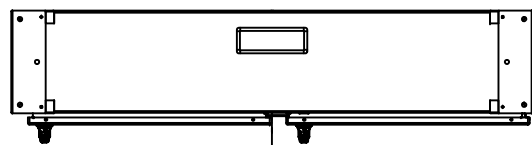
LEFT



FRONT

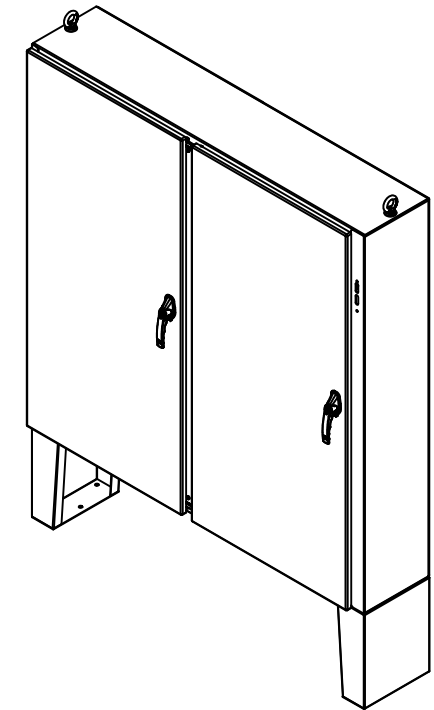


RIGHT



BOTTOM

No.	Revisions	Date	By/Par



Isometric View

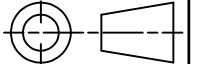


Tél: (450) 979-4373  
 Fax: (450) 979-4626  
[www.exmweb.com](http://www.exmweb.com)

Flatness  
Aplatissement

Max 3.0mm

Projection



Customer Client	Date
Drawn By / Dessiné Par: BoxCad: BoxCad	Date: 25-Mar-16

Material / Matière: 12 Ga Stainless Steel 304 (2.5mm)

Color / Couleur: Asa-61 Grey      Finish / Fini: Smooth

Description: 5500UFDSS 60" x 61" x 12" Assembly      Detail Rev.

Part Number / Numéro Pièce: 5500UFDSS606112	Rev. 1
SEE BILL OF MATERIAL ON LAST PAGE	Rev. 0

SEE BILL OF MATERIAL ON LAST PAGE

5500UFDSS606112

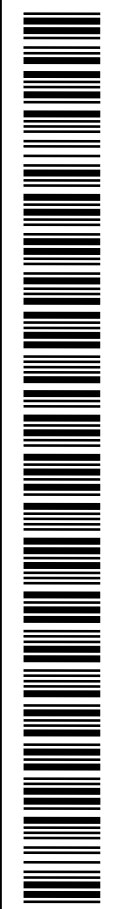
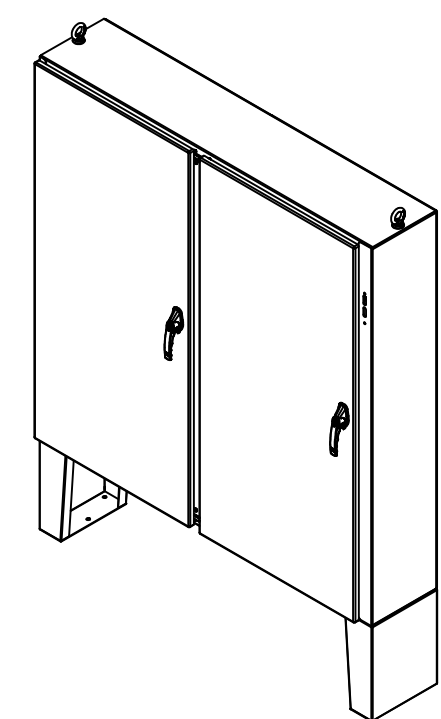
1
2

This drawing is confidential and must not be reproduced or used without the consent of EXM

Ce dessin est confidentiel et ne doit pas être reproduit ou utilisé sans le consentement de EXM

NOTE	
ITEM	DESCRIPTION
1	NEMA 12/13 Enclosure
2	C/W Standard ground studs on box and cover
3	W/O Standard door stiffener
4	C/W Standard inner panel (Included)
5	C/W Standard inner panel mounting studs
6	C/W Struts installed (Included)
7	C/W Eyebolts
8	C/W Mounting feet sold separately (Installed)
9	C/W Special handle sold separately (Kit)

No.	Revisions	Date	By/Par



Isometric View

PACKING		
ITEM	QTY	DESCRIPTION
Cardboard sleeve	2	Top and Bottom
Cardboard strip	2	Between back of enclosure and inner panel
Plastic bag	1	To protect cover surface and inside gasket
Cardboard corner	4	To reinforced for the plastic strap tightening
Plastic strap - Black	2	To Squeeze 2 cardboard sleeve together
Packaging label	3	White label with PN
Plastic strap- Green	2	To secure the enclosure to the wood pallet
Wood Pallet	1	2" deeper and 3" larger than enclosure size

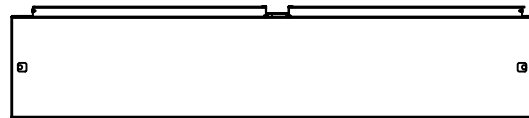
Qty	Part Number	Rev	Description
1	5500UFDSS606112MF	0	885 MFHD 15" x 12" Mounting Feet
1	880INTI	2	880 INTI - Interlock Post Kit
1	5500UFDSS606112GP	0	5500UFDSS Gland Plate
1	880EB14SS	2	Stainless Steel Eye Bolt M14 (Pack of 2)
8	STK-Q-07320	0	Flange Lock Nut M10
1	885SP6060G	0	885 SP6060G Inner Panel
6	STK-Q-07620	0	M10 Plastic Spacer 0.875"
1	5500UFDSS606112FD	0	5500UFDSS 60" x 61" Lock Door
1	5500UFDSS606112LD	0	5500UFDSS 60" x 61" Lock Door
1	5500UFDSS606112B	0	5500UFDSS 60" x 61" x 12" Body
8	STK-Q-04051-10	8	M6 Hexagon Socket Head Machine Screw with Nyseal
	Part Number	Rev	Description

		Tél: (450) 979-4373 Fax: (450) 979-4626 <a href="http://www.exmweb.com">www.exmweb.com</a>	
Flatness Aplatissement Max 3.0mm		Projection 	
Customer Client		Date	
Drawn By Dessiné Par BoxCad: BoxCad		Date 25-Mar-16	
Material Matière 12 Ga Stainless Steel 304 (2.5mm)		Color Couleur Asa-61 Grey	
Finish Fini Smooth		Description 5500UFDSS 60" x 61" x 12" Assembly	
Part Number Numéro Pièce <b>5500UFDSS606112</b>		Detail Rev. Rev. <b>0</b> / 2	

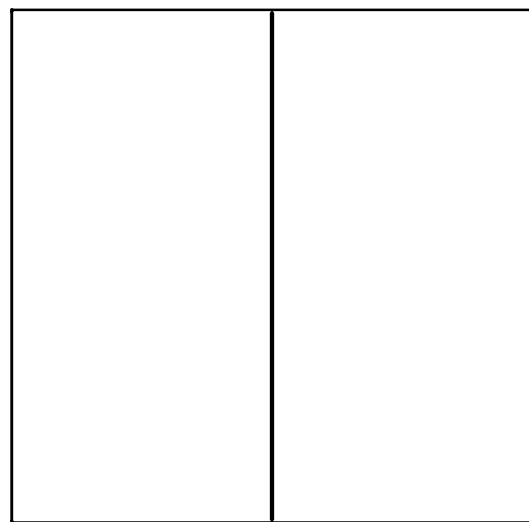
Parts List

This drawing is confidential and must not be reproduced or used without the consent of EXM

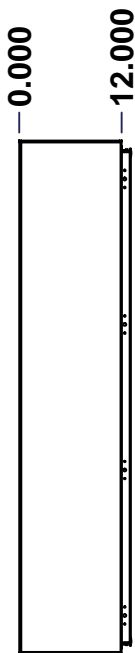
Ce dessin est confidentiel et ne doit pas être reproduit ou utilisé sans le consentement de EXM



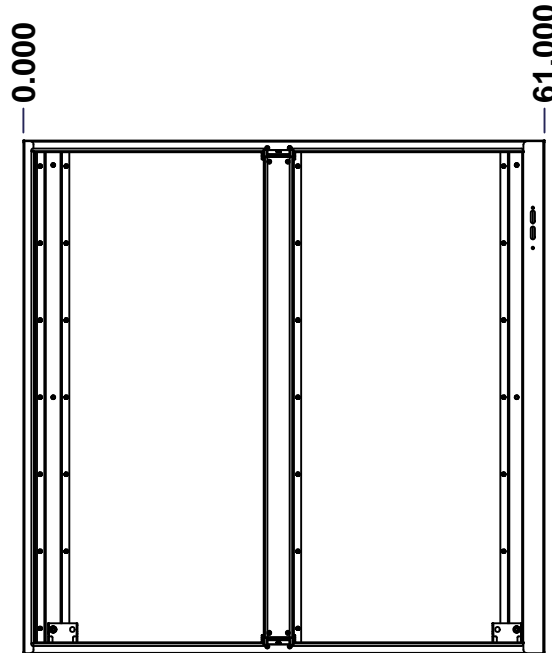
TOP



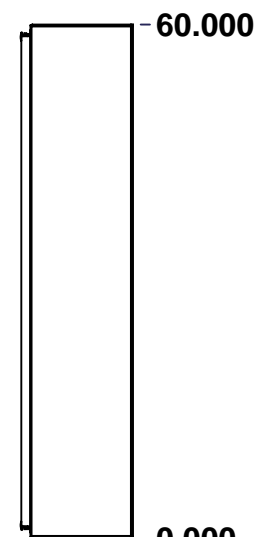
BACK



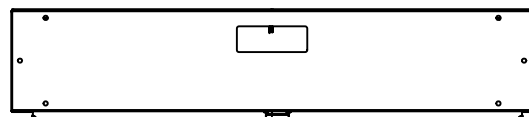
LEFT



FRONT

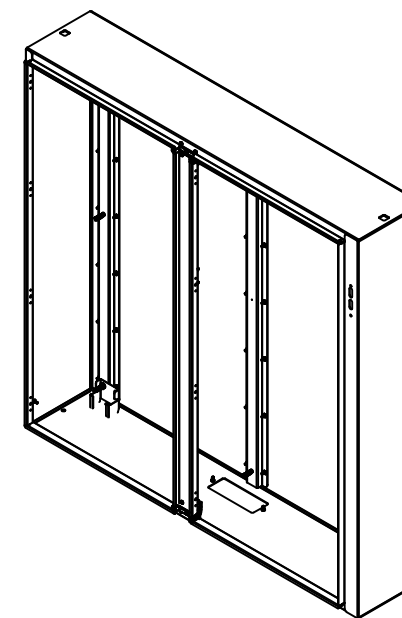


RIGHT



BOTTOM

No.	Revisions	Date	By/Par



Isometric View

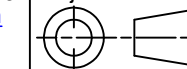


Tél: (450) 979-4373  
 Fax: (450) 979-4626  
[www.exmweb.com](http://www.exmweb.com)

Flatness  
Aplatissement

Max 3.0mm

Projection



Customer Client

Date

Drawn By  
Dessiné Par BoxCad: BoxCad

Date 25-Mar-16

Material  
Matière 12 Ga Stainless Steel 304 (2.5mm)

Color  
Couleur Asa-61 Grey

Finish  
Fini Smooth

Description  
5500UFDSS 60" x 61" x 12" Body

Detail Rev.

Part Number  
Numéro Pièce **5500UFDSS606112B**

Rev.	1
<b>0</b>	2

SEE BILL OF MATERIAL ON LAST PAGE

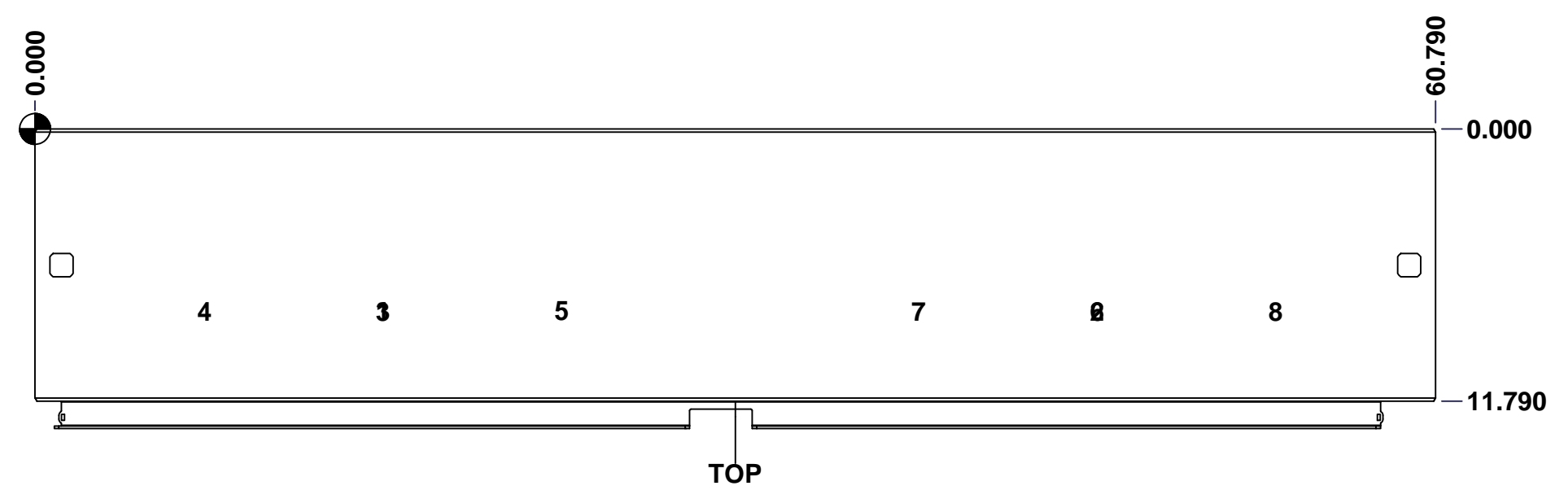
This drawing is confidential and must not be reproduced or used without the consent of EXM

Ce dessin est confidentiel et ne doit pas être reproduit ou utilisé sans le consentement de EXM

**STANDARD FEATURES ARE NOT LISTED IN THIS HOLE TABLE**

**HOLE TABLE - TOP VIEW (CUSTOM FEATURE ONLY)**

CUT-OUT	XDIM	YDIM	DESCRIPTION
1	14.895	7.895	Struts CR400 21.500" (Inside)
2	45.895	7.895	Struts CR400 21.500" (Inside)
3	14.895	7.895	STUDS M6 x 10mm (Inside)
4	7.145	7.895	STUDS M6 x 10mm (Inside)
5	22.645	7.895	STUDS M6 x 10mm (Inside)
6	45.895	7.895	STUDS M6 x 10mm (Inside)
7	38.145	7.895	STUDS M6 x 10mm (Inside)
8	53.645	7.895	STUDS M6 x 10mm (Inside)



	Description	Status	
	5500UFDSS 60" x 61" x 12" Body	Released	
	Part Number Numéro Pièce	Rev.	
	<b>5500UFDSS606112B</b>	<b>0</b>	2 / 7

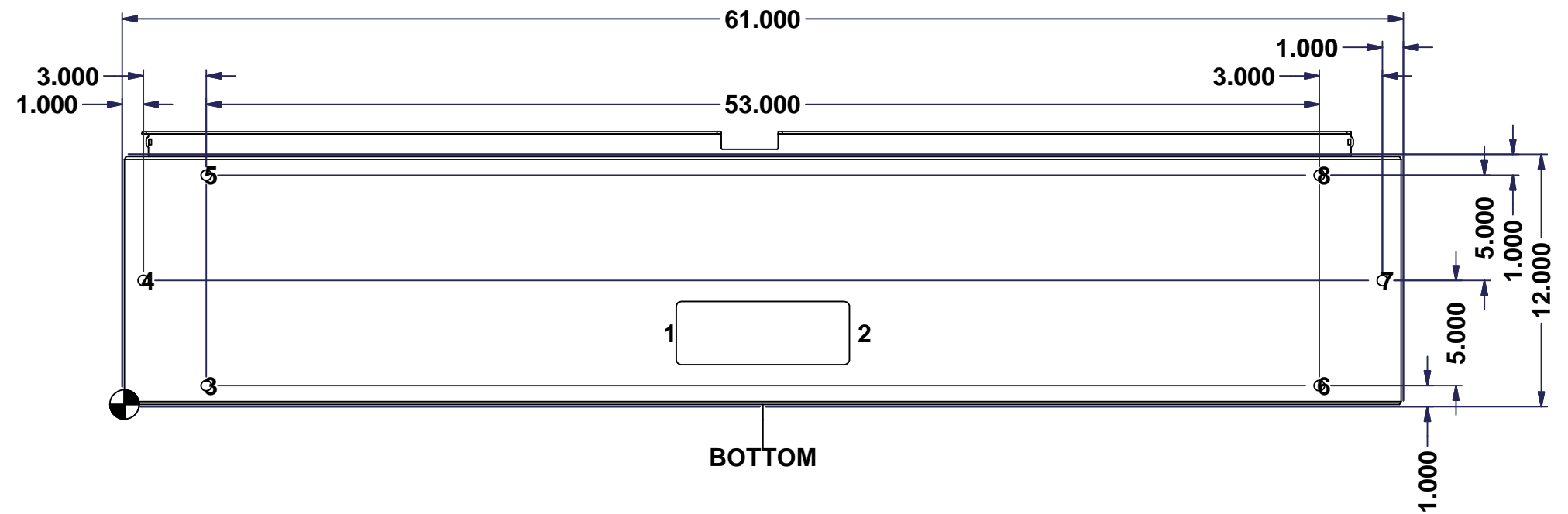
This drawing is confidential and must not be reproduced or used without the consent of EXM

Ce dessin est confidentiel et ne doit pas être reproduit ou utilisé sans le consentement de EXM

**STANDARD FEATURES ARE NOT LISTED IN THIS HOLE TABLE**

**HOLE TABLE - BOTTOM VIEW (CUSTOM FEATURE ONLY)**

CUT-OUT	XDIM	YDIM	DESCRIPTION
1	25.770	3.395	GP STUD M6 x 16mm (Inside)
2	35.020	3.395	GP STUD M6 x 16mm (Inside)
-----			
3	3.895	0.895	RND Ø0.500
4	0.895	5.895	RND Ø0.500
5	3.895	10.895	RND Ø0.500
6	56.895	0.895	RND Ø0.500
7	59.895	5.895	RND Ø0.500
8	56.895	10.895	RND Ø0.500



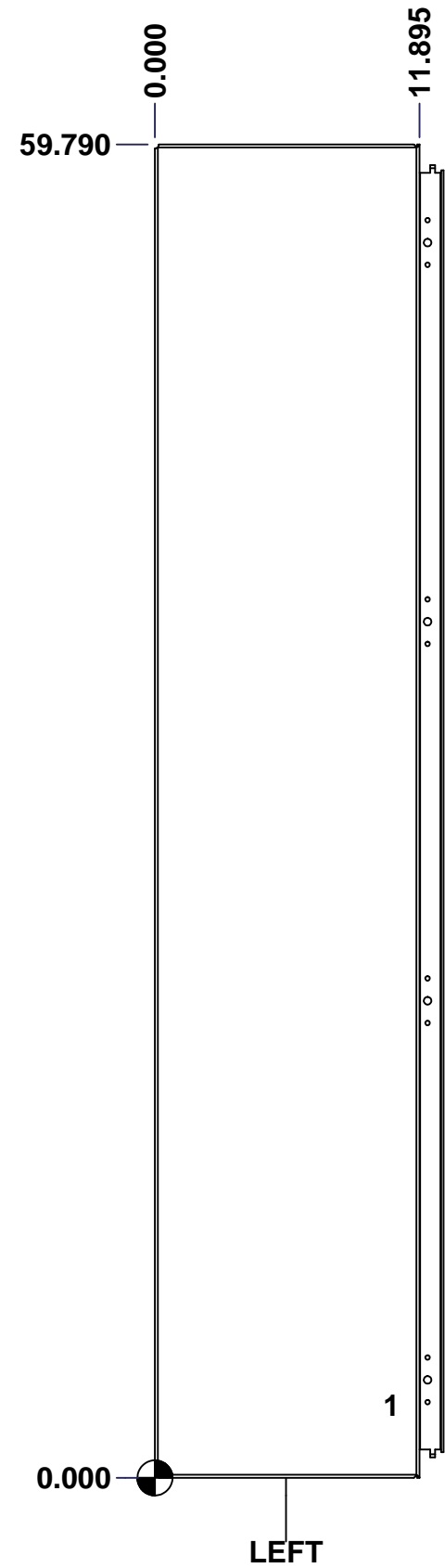
BOTTOM

	Description	Status
	5500UFDSS 60" x 61" x 12" Body	Released
	Part Number Numéro Pièce	Rev.
	<b>5500UFDSS606112B</b>	<b>0</b>
		4
		7

This drawing is confidential and must not be reproduced or used without the consent of EXM

Ce dessin est confidentiel et ne doit pas être reproduit ou utilisé sans le consentement de EXM

<b>STANDARD FEATURES ARE NOT LISTED IN THIS HOLE TABLE</b>			
<b>HOLE TABLE - LEFT VIEW (CUSTOM FEATURE ONLY)</b>			
CUT-OUT	XDIM	YDIM	DESCRIPTION
1	10.395	3.270	GND STUD M6 x 16mm (Inside)

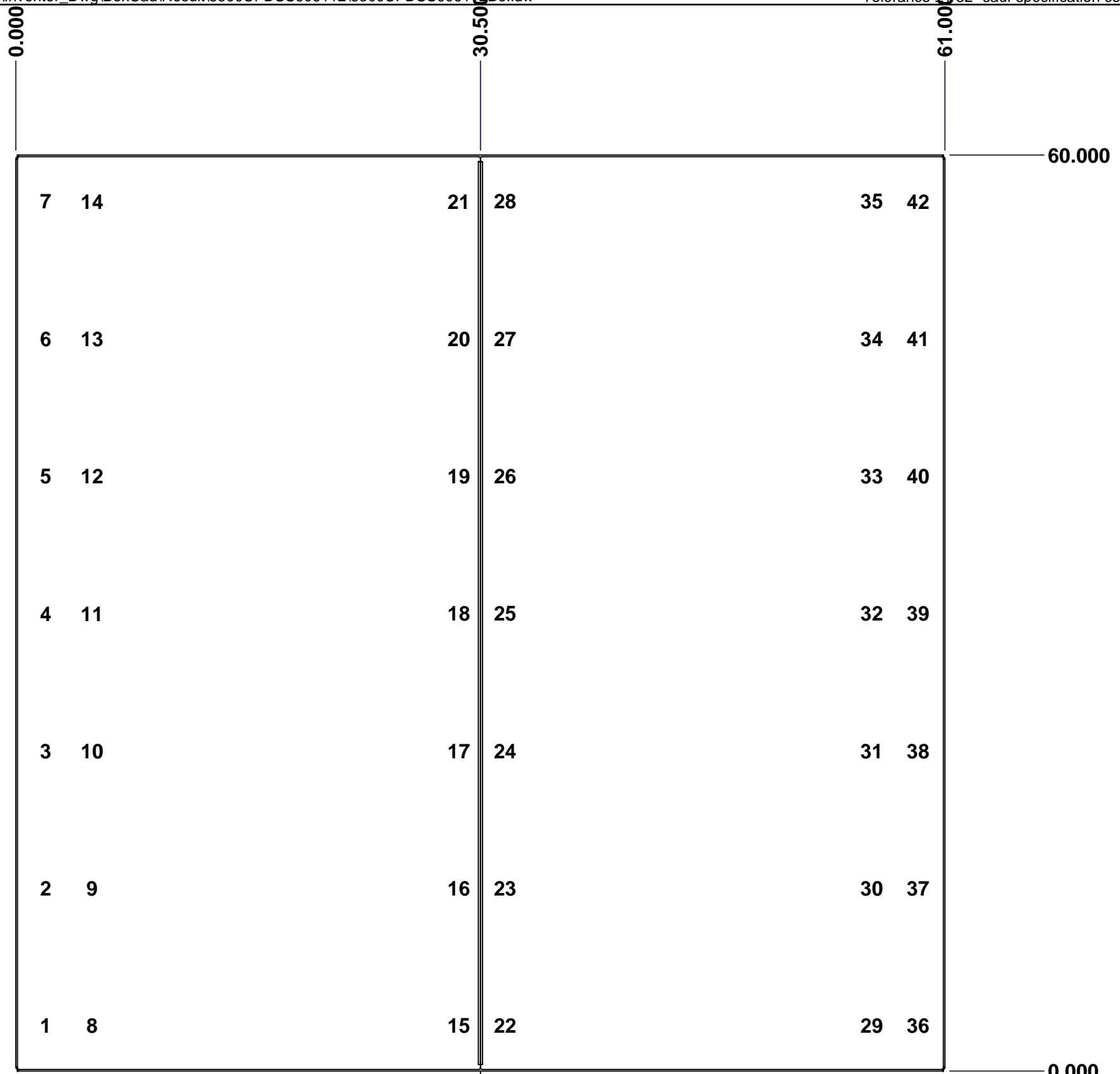


	Description	Status	
	5500UFDSS 60" x 61" x 12" Body	Released	
	Part Number Numéro Pièce	Rev.	
	<b>5500UFDSS606112B</b>	<b>0</b>	5 / 7

This drawing is confidential and must not be reproduced or used without the consent of EXM

Ce dessin est confidentiel et ne doit pas être reproduit ou utilisé sans le consentement de EXM

STANDARD FEATURES ARE NOT LISTED IN THIS HOLE TABLE			
HOLE TABLE - BACK VIEW (CUSTOM FEATURE ONLY)			
CUT-OUT	XDIM	YDIM	DESCRIPTION
1	1.730	3.000	STUDS M6 x 18mm (Inside)
2	1.730	12.000	STUDS M6 x 18mm (Inside)
3	1.730	21.000	STUDS M6 x 18mm (Inside)
4	1.730	30.000	STUDS M6 x 18mm (Inside)
5	1.730	39.000	STUDS M6 x 18mm (Inside)
6	1.730	48.000	STUDS M6 x 18mm (Inside)
7	1.730	57.000	STUDS M6 x 18mm (Inside)
8	4.770	3.000	STUDS M6 x 18mm (Inside)
9	4.770	12.000	STUDS M6 x 18mm (Inside)
10	4.770	21.000	STUDS M6 x 18mm (Inside)
11	4.770	30.000	STUDS M6 x 18mm (Inside)
12	4.770	39.000	STUDS M6 x 18mm (Inside)
13	4.770	48.000	STUDS M6 x 18mm (Inside)
14	4.770	57.000	STUDS M6 x 18mm (Inside)
15	28.855	3.000	STUDS M6 x 18mm (Inside)
16	28.855	12.000	STUDS M6 x 18mm (Inside)
17	28.855	21.000	STUDS M6 x 18mm (Inside)
18	28.855	30.000	STUDS M6 x 18mm (Inside)
19	28.855	39.000	STUDS M6 x 18mm (Inside)
20	28.855	48.000	STUDS M6 x 18mm (Inside)
21	28.855	57.000	STUDS M6 x 18mm (Inside)
22	31.895	3.000	STUDS M6 x 18mm (Inside)
23	31.895	12.000	STUDS M6 x 18mm (Inside)
24	31.895	21.000	STUDS M6 x 18mm (Inside)
25	31.895	30.000	STUDS M6 x 18mm (Inside)
26	31.895	39.000	STUDS M6 x 18mm (Inside)
27	31.895	48.000	STUDS M6 x 18mm (Inside)
28	31.895	57.000	STUDS M6 x 18mm (Inside)
29	55.980	3.000	STUDS M6 x 18mm (Inside)
30	55.980	12.000	STUDS M6 x 18mm (Inside)
31	55.980	21.000	STUDS M6 x 18mm (Inside)
32	55.980	30.000	STUDS M6 x 18mm (Inside)
33	55.980	39.000	STUDS M6 x 18mm (Inside)
34	55.980	48.000	STUDS M6 x 18mm (Inside)
35	55.980	57.000	STUDS M6 x 18mm (Inside)
36	59.020	3.000	STUDS M6 x 18mm (Inside)
37	59.020	12.000	STUDS M6 x 18mm (Inside)
38	59.020	21.000	STUDS M6 x 18mm (Inside)
39	59.020	30.000	STUDS M6 x 18mm (Inside)
40	59.020	39.000	STUDS M6 x 18mm (Inside)
41	59.020	48.000	STUDS M6 x 18mm (Inside)
42	59.020	57.000	STUDS M6 x 18mm (Inside)



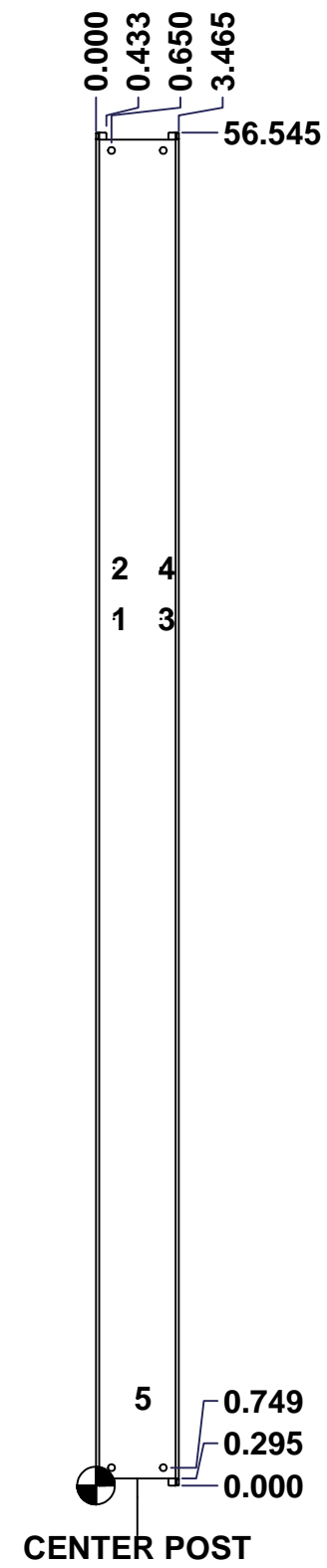
BACK

	Description	Status
	5500UFDSS 60" x 61" x 12" Body	Released
	Part Number Numéro Pièce	Rev.
	<b>5500UFDSS606112B</b>	<b>0</b>
		6
		7

This drawing is confidential and must not be reproduced or used without the consent of EXM

Ce dessin est confidentiel et ne doit pas être reproduit ou utilisé sans le consentement de EXM

STANDARD FEATURES ARE NOT LISTED IN THIS HOLE TABLE			
HOLE TABLE - CENTER VIEW (CUSTOM FEATURE ONLY)			
CUT-OUT	XDIM	YDIM	DESCRIPTION
1	0.748	36.220	INTERLOCK STUD M6 x 16mm (Inside)
2	0.748	38.346	INTERLOCK STUD M6 x 16mm (Inside)
3	2.717	36.220	INTERLOCK STUD M6 x 16mm (Inside)
4	2.717	38.346	INTERLOCK STUD M6 x 16mm (Inside)
5	1.732	3.648	GND STUD M6 x 16mm (Inside)



	Description	Status
	5500UFDSS 60" x 61" x 12" Body	Released
Part Number Numéro Pièce <b>5500UFDSS606112B</b>	Rev.	6
	<b>0</b>	7



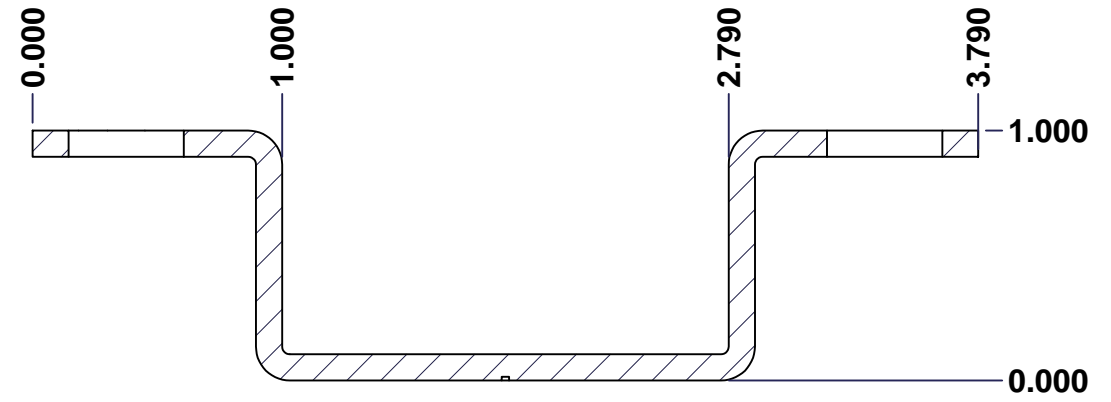
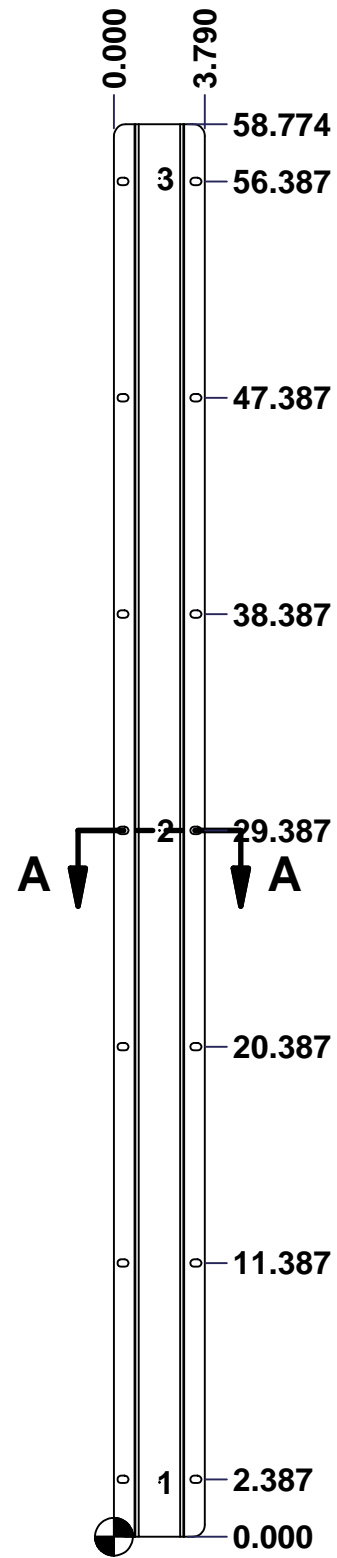
This drawing is confidential and must not be reproduced or used without the consent of EXM

Ce dessin est confidentiel et ne doit pas être reproduit ou utilisé sans le consentement de EXM

**STANDARD FEATURES ARE NOT LISTED IN THIS HOLE TABLE**

**HOLE TABLE - CENTER VIEW (CUSTOM FEATURE ONLY)**

CUT-OUT	XDIM	YDIM	DESCRIPTION
1	1.895	2.262	IP STUD M10 x 40mm (Outside)
2	1.895	29.387	IP STUD M10 x 40mm (Outside)
3	1.895	56.512	IP STUD M10 x 40mm (Outside)



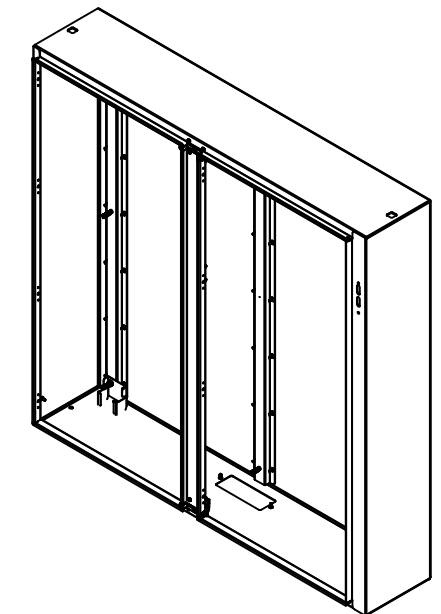
**SECTION A-A**

	Description	Status	
	5500UFDSS 60" x 61" x 12" Body	Released	
	Part Number Numéro Pièce	Rev.	
	<b>5500UFDSS606112B</b>	<b>0</b>	6 7

This drawing is confidential and must not be reproduced or used without the consent of EXM

Ce dessin est confidentiel et ne doit pas être reproduit ou utilisé sans le consentement de EXM

No.	Revisions	Date	By/Par



Isometric View

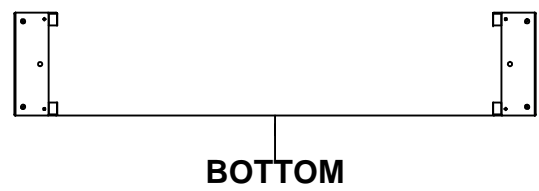
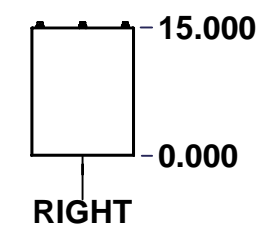
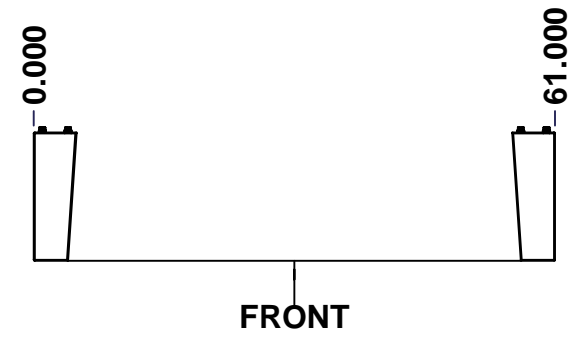
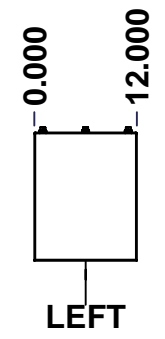
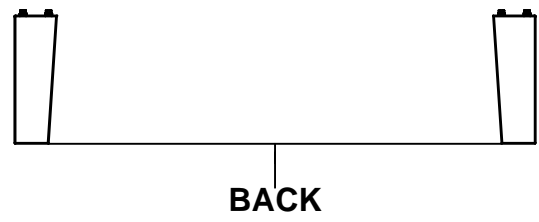
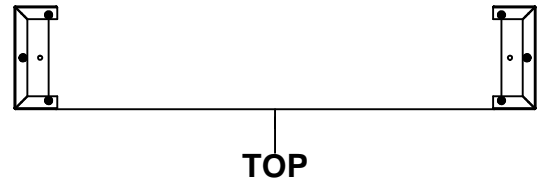


6	STK-Q-16040	0	Stud M6 x 10mm Stainless Steel
1	STK-Q-16085	0	Ground Stud M6 x 16mm Stainless Steel
1	STK-P-02400S	0	Powder Paint (Asa-61 Grey / Smooth)
3	STK-Q-16095	0	M6 x 16mm Stainless Steel Ground Stud
46	STK-Q-16070	1	Stud M6 x 18mm Stainless Steel
1	STK-A-75456	2	Center Post - Stainless Steel Sealing Block with Latch Assembly (Large)
1	5500UFDSS606112CP-P	0	5500UFDSS 60" Center Post Part
8	STK-Q-16120	0	Stud M10 x 40mm Stainless Steel
2	STK-Q-07320	0	Flange Lock Nut M10
2	STK-Q-07618	1	5500 Series Inner Panel Support Bracket
3	5500UFDSS606112POST-P	0	5500UFDSS 60" IP Post Part
1	5500UFDSS606112BT-P	0	5500UFDSS 61" x 12" Bottom Part
1	5500UFDSS606112T-P	0	5500UFDSS 61" x 12" Top Part
1	5500UFDSS606112RS-P	0	5500UFDSS 60" x 61" Right Part
1	5500UFDSS606112LS-P	0	5500UFDSS 60" x 61" Left Part
1	5500UFDSS606112BR-P	0	5500UFDSS 60" x 61" Back Right Part
1	5500UFDSS606112BL-P	0	5500UFDSS 60" x 61" Back Left Part
2	CR400SS_21.5	0	Commercial Roll Stainless Steel (21.5in long)
48	STK-Q-07220	1	M6 Nylon Insert Lock Nut
Qty	Part Number	Rev	Description
Parts List			

	Tél: (450) 979-4373 Fax: (450) 979-4626 <a href="http://www.exmweb.com">www.exmweb.com</a>	Flatness Aplatissement Max 3.0mm
	Projection	
Customer Client	Date	
Drawn By / Dessiné Par: BoxCad: BoxCad	Date: 25-Mar-16	
Material / Matière: 12 Ga Stainless Steel 304 (2.5mm)		
Color / Couleur: Asa-61 Grey	Finish / Fini: Smooth	
Description: 5500UFDSS 60" x 61" x 12" Body	Detail Rev.	
Part Number / Numéro Pièce: <b>5500UFDSS606112B</b>	Rev. 0	2

This drawing is confidential and must not be reproduced or used without the consent of EXM

Ce dessin est confidentiel et ne doit pas être reproduit ou utilisé sans le consentement de EXM



No.	Revisions	Date	By/Par

**Isometric View**

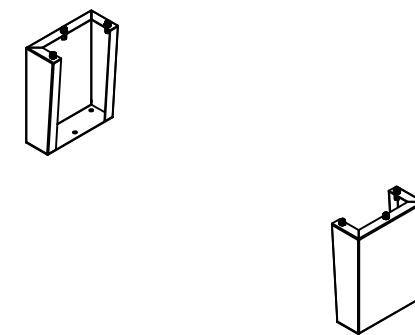
Tél: (450) 979-4373 Fax: (450) 979-4626 <a href="http://www.exmweb.com">www.exmweb.com</a>		Flatness Aplatissement
		Max 3.0mm
Customer Client		Date
Drawn By Dessiné Par BoxCad: BoxCad		Date 25-Mar-16
Material Matière 12 Ga Stainless Steel 304 (2.5mm)		
Color Couleur Asa-61 Grey	Finish Fini Smooth	
Description 885 MFHD 15" x 12" Mounting Feet		Detail Rev.
Part Number Numéro Pièce <b>5500UFDSS606112MF</b>		Rev. 1 <b>0</b>

**SEE BILL OF MATERIAL ON LAST PAGE**

This drawing is confidential and must not be reproduced or used without the consent of EXM

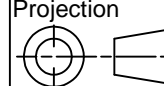
Ce dessin est confidentiel et ne doit pas être reproduit ou utilisé sans le consentement de EXM

No.	Revisions	Date	By/Par



Isometric View



 Tél: (450) 979-4373 Fax: (450) 979-4626 <a href="http://www.exmweb.com">www.exmweb.com</a>		Flatness Aplatissement  Max 3.0mm Projection 
Customer Client	Date	
Drawn By Dessiné Par	BoxCad: BoxCad	Date 25-Mar-16
Material Matière	12 Ga Stainless Steel 304 (2.5mm)	
Color Couleur	Asa-61 Grey	Finish Fini Smooth
Description		Detail Rev.
885 MFHD 15" x 12" Mounting Feet		
Part Number Numéro Pièce	Rev.	4
<b>5500UFDSS606112MF</b>	<b>0</b>	<b>4</b>

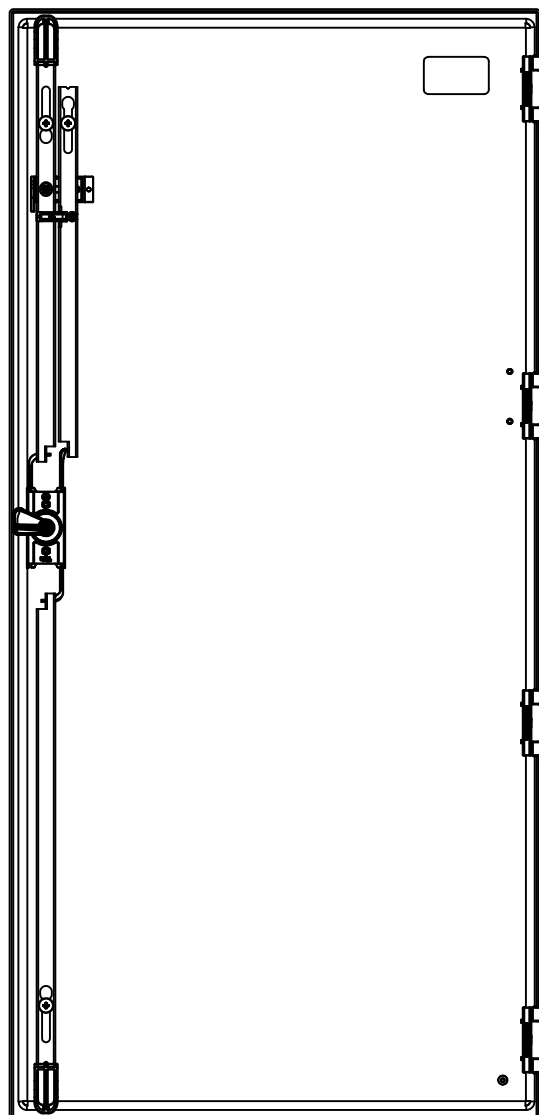
Qty	Part Name	Rev	Description
1	STK-P-02400S	0	Powder Paint (Asa-61 Grey / Smooth)
6	RIVET_NUT_SS_M10_FH_CE	0	Stainless Steel Rivet Nut M10 (Low Profile Close End)
1	5500UFDSS606112MFR-P	0	885 MFHD 15" x 12" Right Mounting Feet Part
1	5500UFDSS606112MFL-P	0	885 MFHD 15" x 12" Left Mounting Feet Part
1	STK-K-11610	2	885 MFSS Accessory Kit
Parts List			

This drawing is confidential and must not be reproduced or used without the consent of EXM

Ce dessin est confidentiel et ne doit pas être reproduit ou utilisé sans le consentement de EXM



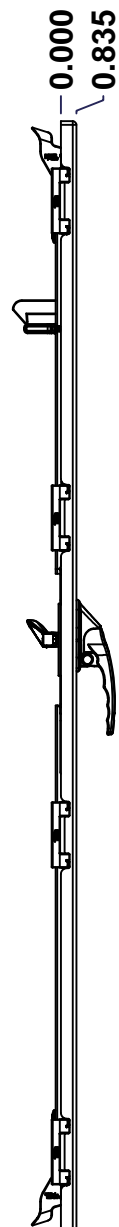
TOP



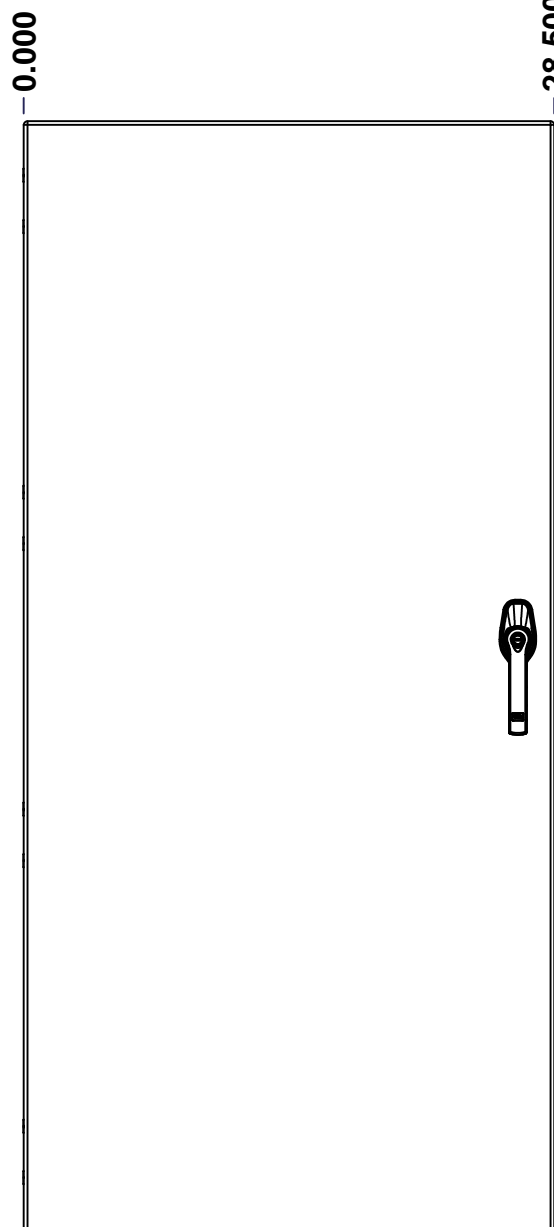
BACK



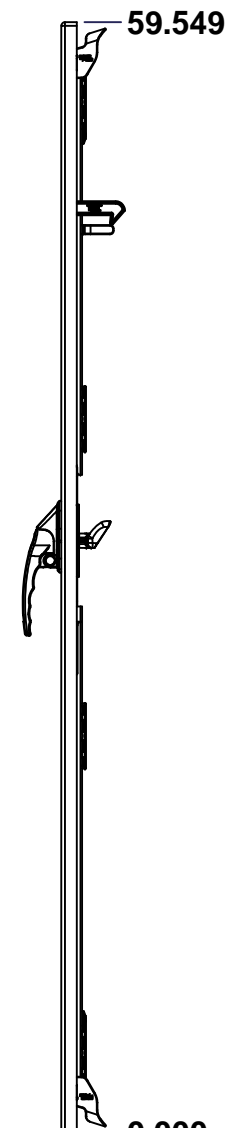
BOTTOM



LEFT

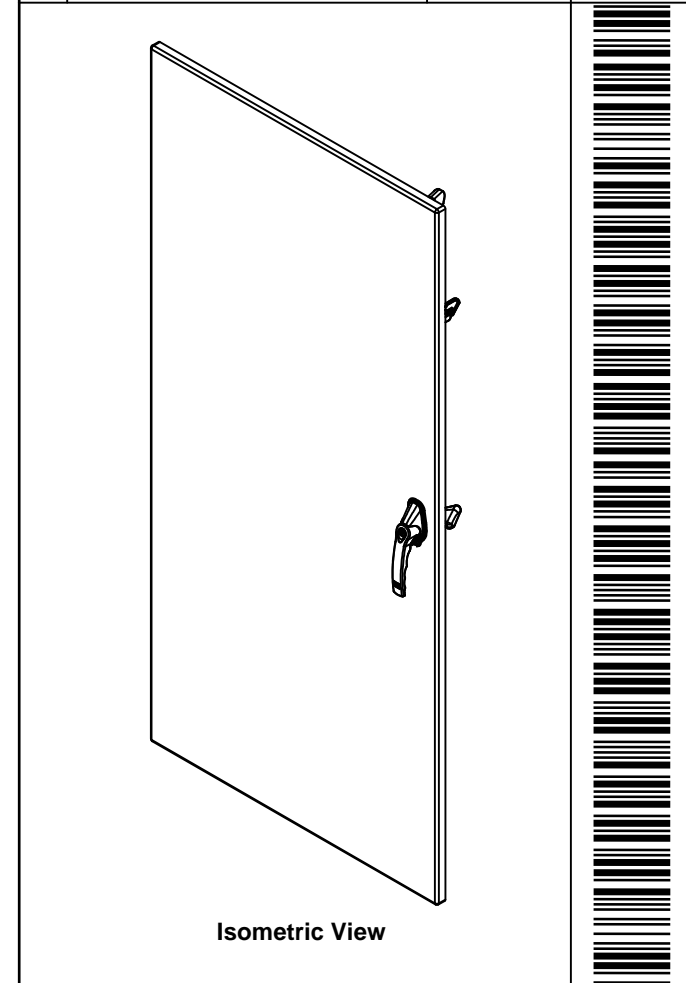


FRONT


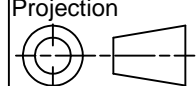


RIGHT

No.	Revisions	Date	By/Par



Isometric View

 Tél: (450) 979-4373 Fax: (450) 979-4626 <a href="http://www.exmweb.com">www.exmweb.com</a>		Flatness Aplatissement Max 3.0mm Projection 
Customer Client	Date	
Drawn By / Dessiné Par: BoxCad: BoxCad	Date: 25-Mar-16	
Material / Matière: 12 Ga Stainless Steel 304 (2.5mm)	Color / Couleur: Asa-61 Grey	
	Finish / Fini: Smooth	
Description: 5500UFDSS 60" x 61" Lock Door	Detail Rev.	
Part Number / Numéro Pièce: 5500UFDSS606112LD	Rev. 0	1 / 3

SEE BILL OF MATERIAL ON LAST PAGE

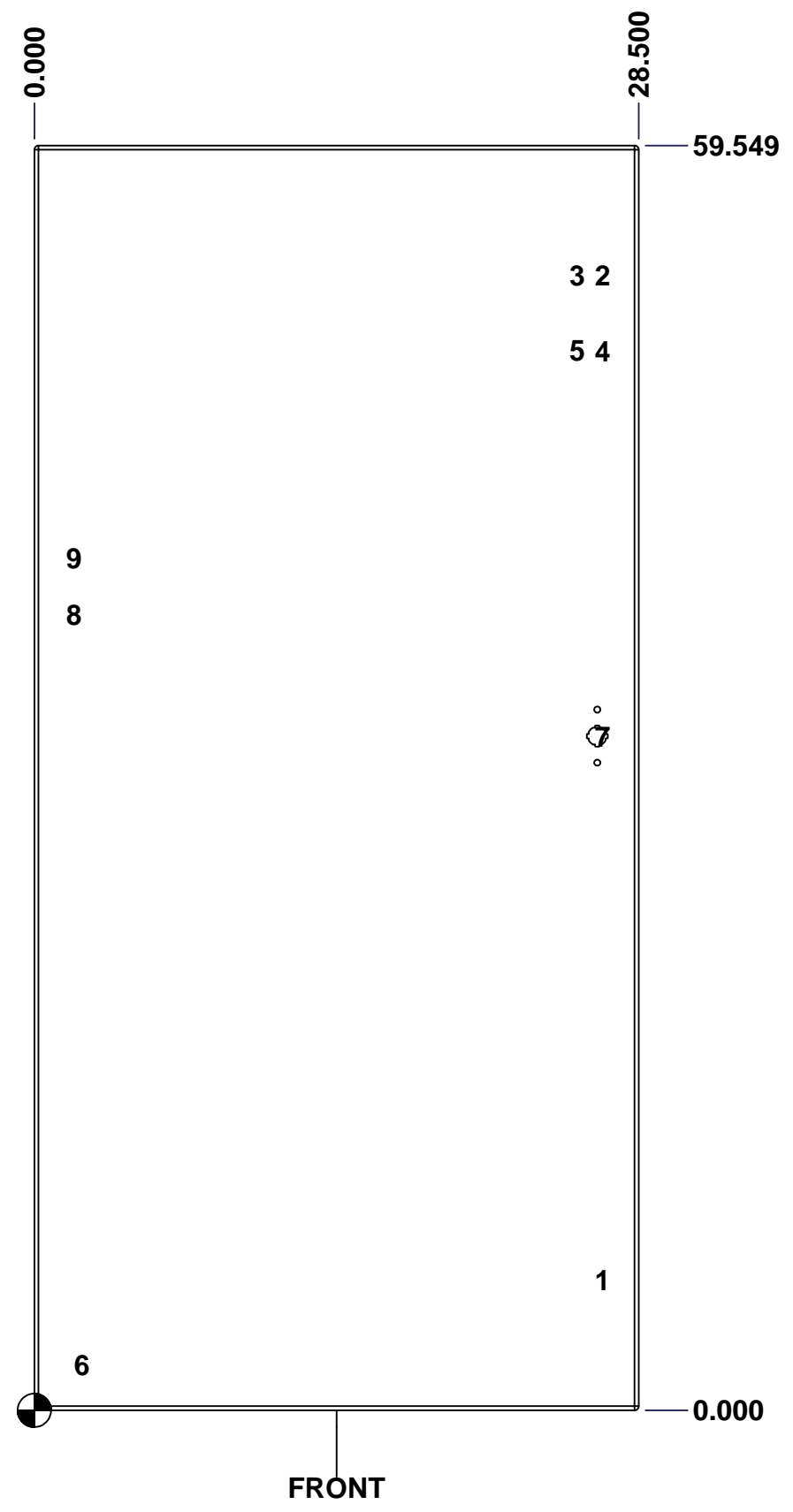
This drawing is confidential and must not be reproduced or used without the consent of EXM

Ce dessin est confidentiel et ne doit pas être reproduit ou utilisé sans le consentement de EXM

**STANDARD FEATURES ARE NOT LISTED IN THIS HOLE TABLE**

**HOLE TABLE - FRONT VIEW (CUSTOM FEATURE ONLY)**

CUT-OUT	XDIM	YDIM	DESCRIPTION
1	26.544	6.118	STUD M6 x 18mm (Inside)
2	26.544	53.430	STUD M6 x 18mm (Inside)
3	25.357	53.430	STUD M6 x 18mm (Inside)
4	26.544	49.886	STUD M6 x 18mm (Inside)
5	25.357	49.886	STUD M6 x 18mm (Inside)
-----	-----	-----	-----
6	2.000	2.118	GND STUD M6 x 16mm (Inside)
7	26.544	31.743	HANDLE 885 ESL2A-APHDSS @ 0.0°
8	1.625	37.445	STUDS M6 x 18mm (Inside)
9	1.625	40.123	STUDS M6 x 18mm (Inside)



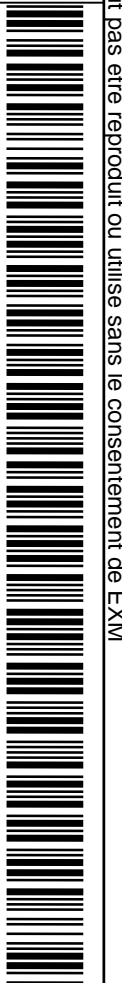
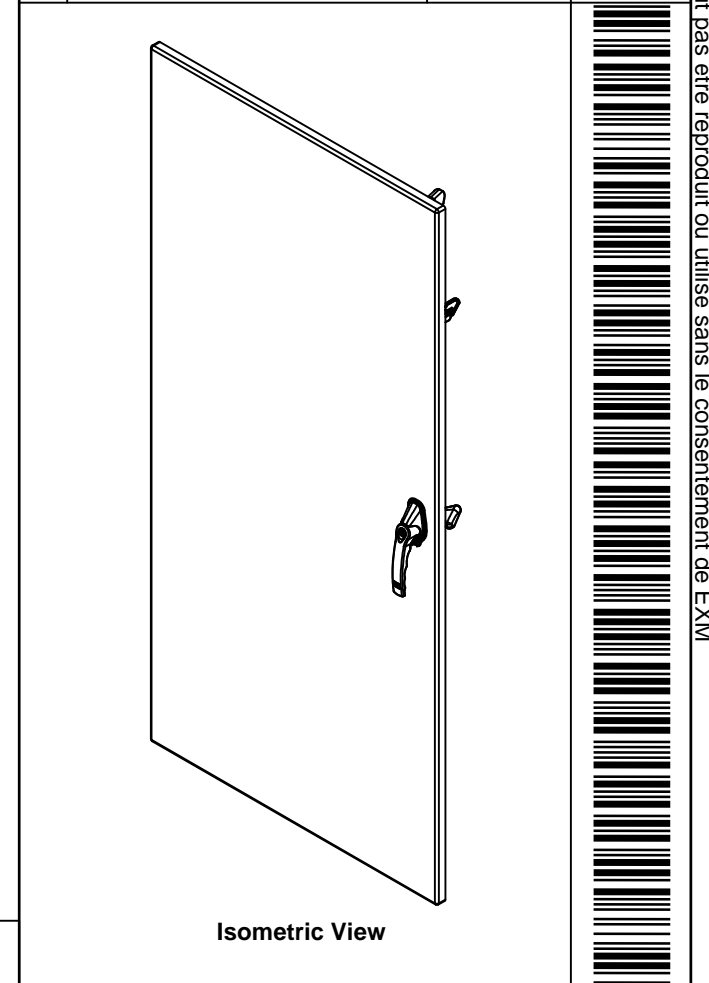
FRONT

	Description	Status
	5500UFDSS 60" x 61" Lock Door	(NULL)
	Part Number Numéro Pièce	Rev.
	<b>5500UFDSS606112LD</b>	<b>0</b>
		2
		3

This drawing is confidential and must not be reproduced or used without the consent of EXM


Ce dessin est confidentiel et ne doit pas être reproduit ou utilisé sans le consentement de EXM

No.	Revisions	Date	By/Par



1	5500UFDSS606112DB_ESY	0	5500UFDSS 60" Disconnect Defeater Bar
1	5500UFDSS606112CB	0	5500UFDSS 60" Closing Bar
1	5500UFDSS606112CB_ESY	0	5500UFDSS 60" Disconnect Closing Bar
1	STK-K-03895-36	3	Gearbox Clockwise Assembly (Grip 36mm)
1	885ESL-APHDSS	1	885 ESL2A-APHDSS - Stainless Steel L-Handle Padlockable Assy - Slot Cylinder
1	STK-Q-16085	0	Ground Stud M6 x 16mm Stainless Steel
1	STK-P-02400S	0	Powder Paint (Asa-61 Grey / Smooth)
1	STK-S-00100	0	3.5" x 2" Silver Milar Flexcon Sticker
1	STK-Q-07220	1	M6 Nylon Insert Lock Nut
1	5500UFDSS606112LDG	0	5500UFDSS 60" x 61" Lock Door Gasket
1	STK-Q-13060	1	M6 Flat Washer
1	STK-Q-46600	3	5500 ESY Disconnect Door Hook
7	STK-Q-16070	1	Stud M6 x 18mm Stainless Steel
1	5500UFDSS606112LD-P	0	5500UFDSS 60" x 61" Lock Door Part
4	STK-K-09870	7	Cabinet Hinge with Captive Pins
Qty	Part Name	Rev	Description

Parts List



Tél: (450) 979-4373  
Fax: (450) 979-4626  
[www.exmweb.com](http://www.exmweb.com)

Flatness  
Aplatissement  
Max 3.0mm

Projection

Customer Client

Date

Drawn By  
Dessiné Par BoxCad: BoxCad

Date 25-Mar-16

Material  
Matière 12 Ga Stainless Steel 304 (2.5mm)

Color  
Couleur Asa-61 Grey

Finish  
Fini Smooth

Description  
5500UFDSS 60" x 61" Lock Door

Detail Rev.

Part Number  
Numéro Pièce  
**5500UFDSS606112LD**

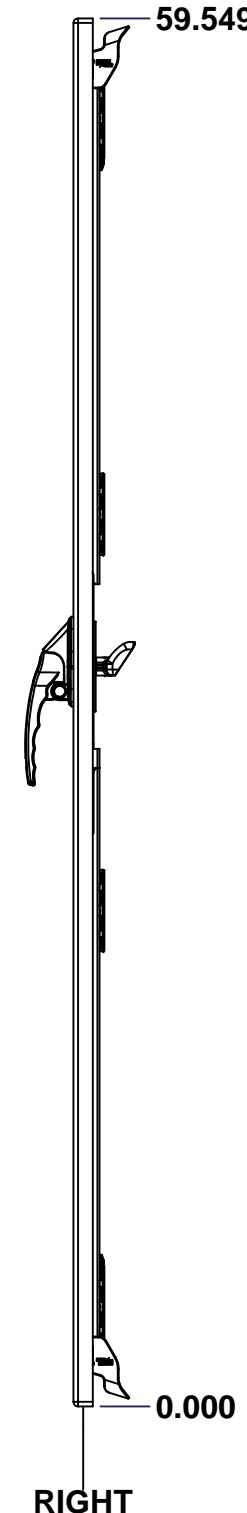
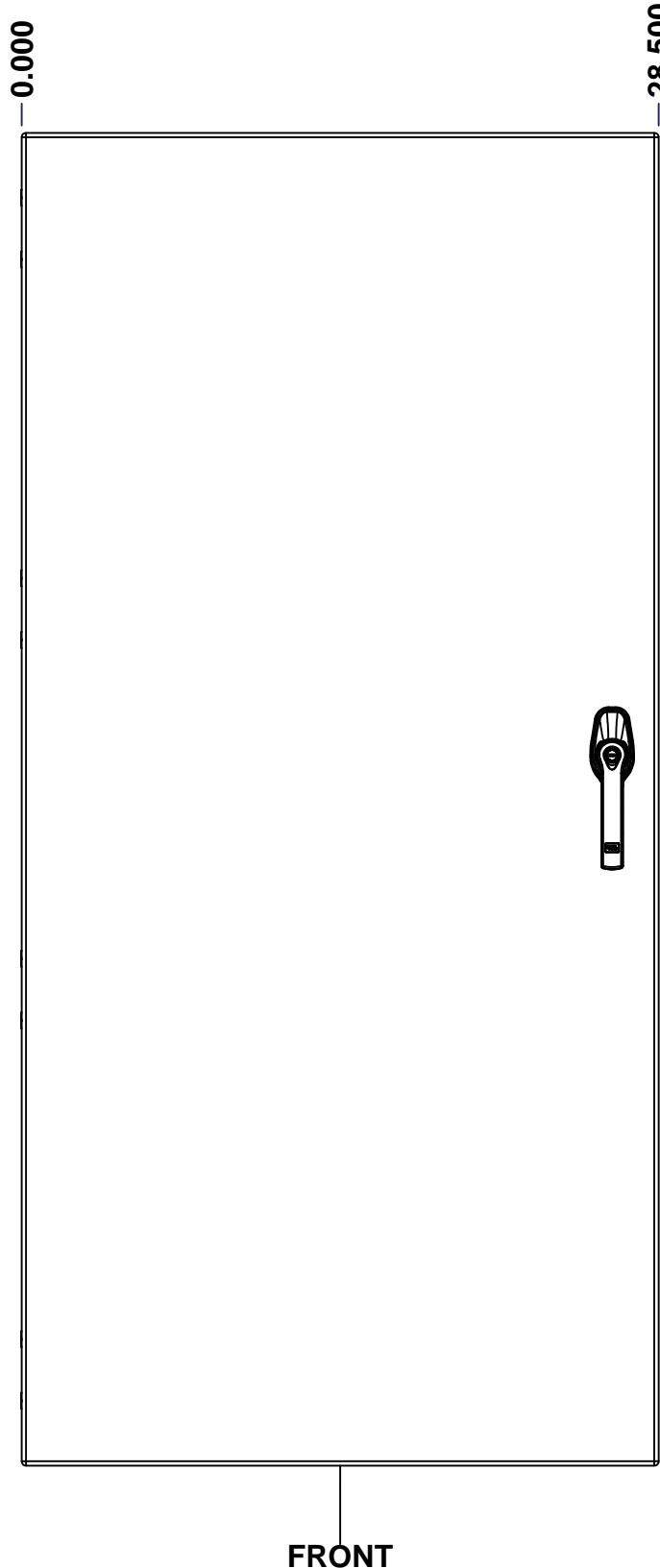
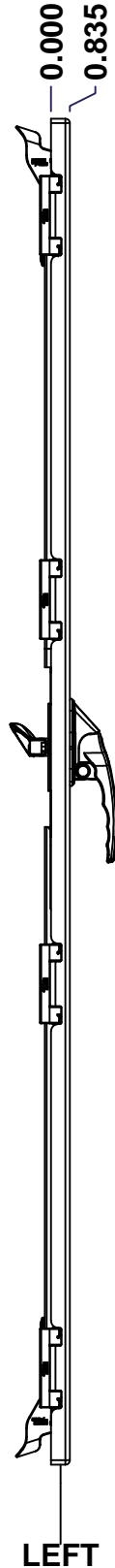
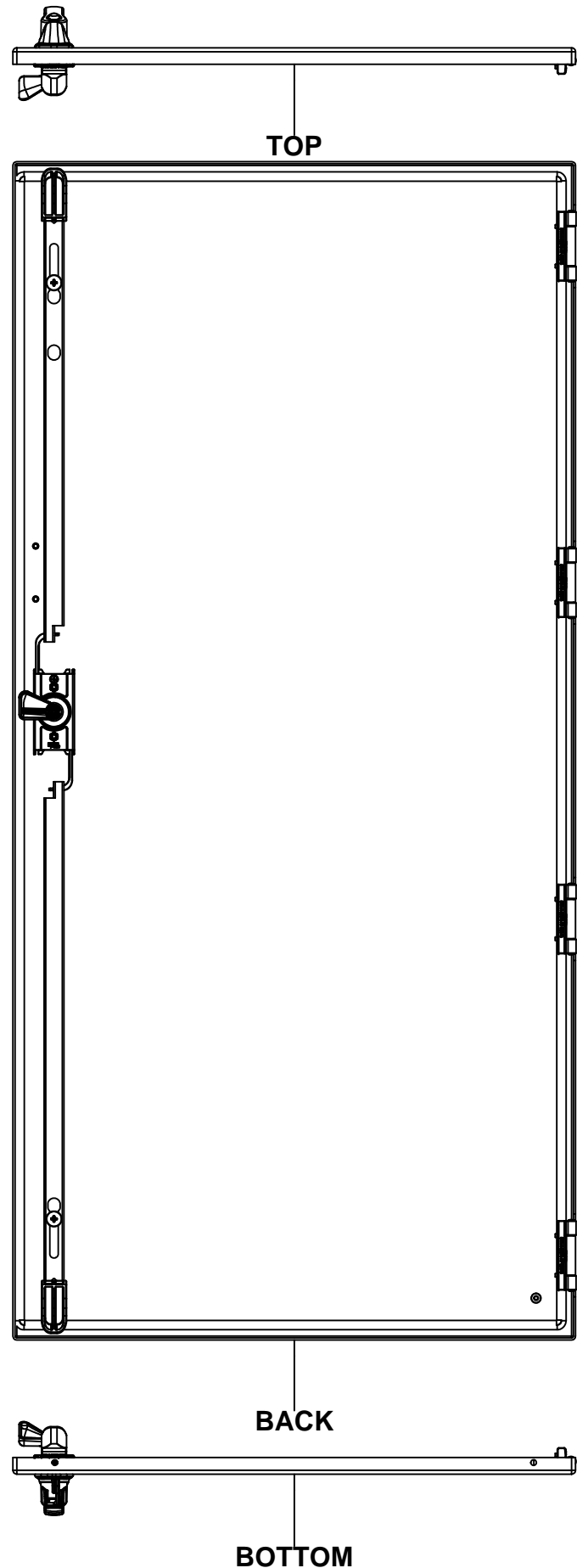
Rev. 3

**0**

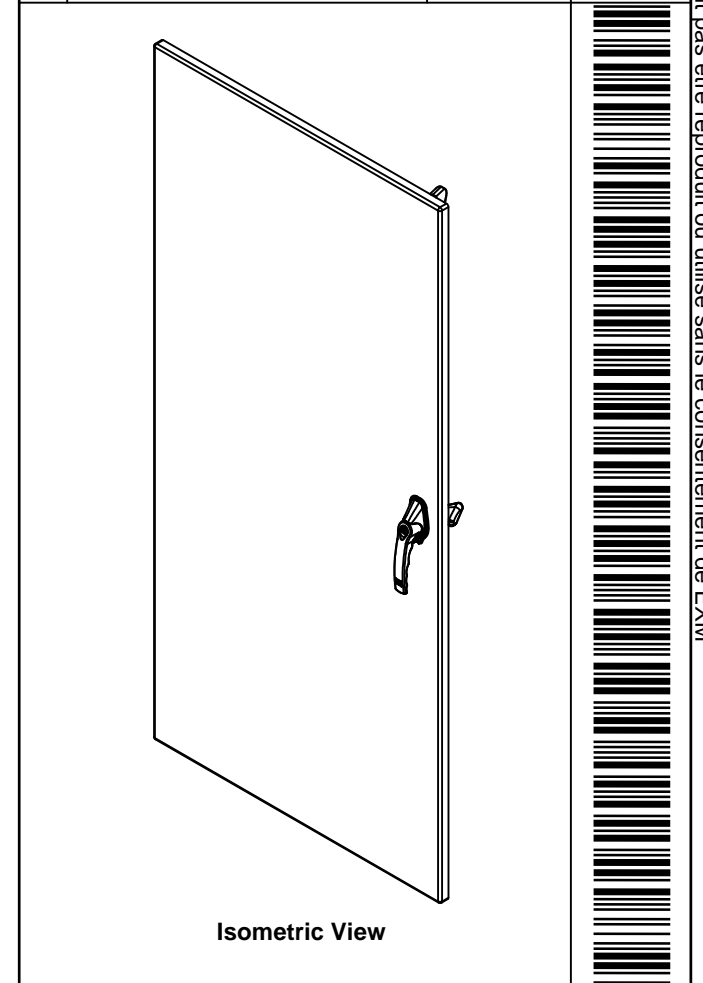
3


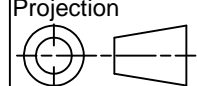
This drawing is confidential and must not be reproduced or used without the consent of EXM

Ce dessin est confidentiel et ne doit pas être reproduit ou utilisé sans le consentement de EXM



No.	Revisions	Date	By/Par



 Tél: (450) 979-4373 Fax: (450) 979-4626 <a href="http://www.exmweb.com">www.exmweb.com</a>		Flatness Aplatissement Max 3.0mm Projection 
Customer Client	Date	Date
Drawn By Dessiné Par BoxCad: BoxCad	Date	25-Mar-16
Material Matière	12 Ga Stainless Steel 304 (2.5mm)	
Color Couleur	Asa-61 Grey	Finish Fini Smooth
Description	Detail Rev.	
5500UFDSS 60" x 61" Lock Door		
Part Number Numéro Pièce	Rev.	1
5500UFDSS606112FD	0	3

SEE BILL OF MATERIAL ON LAST PAGE



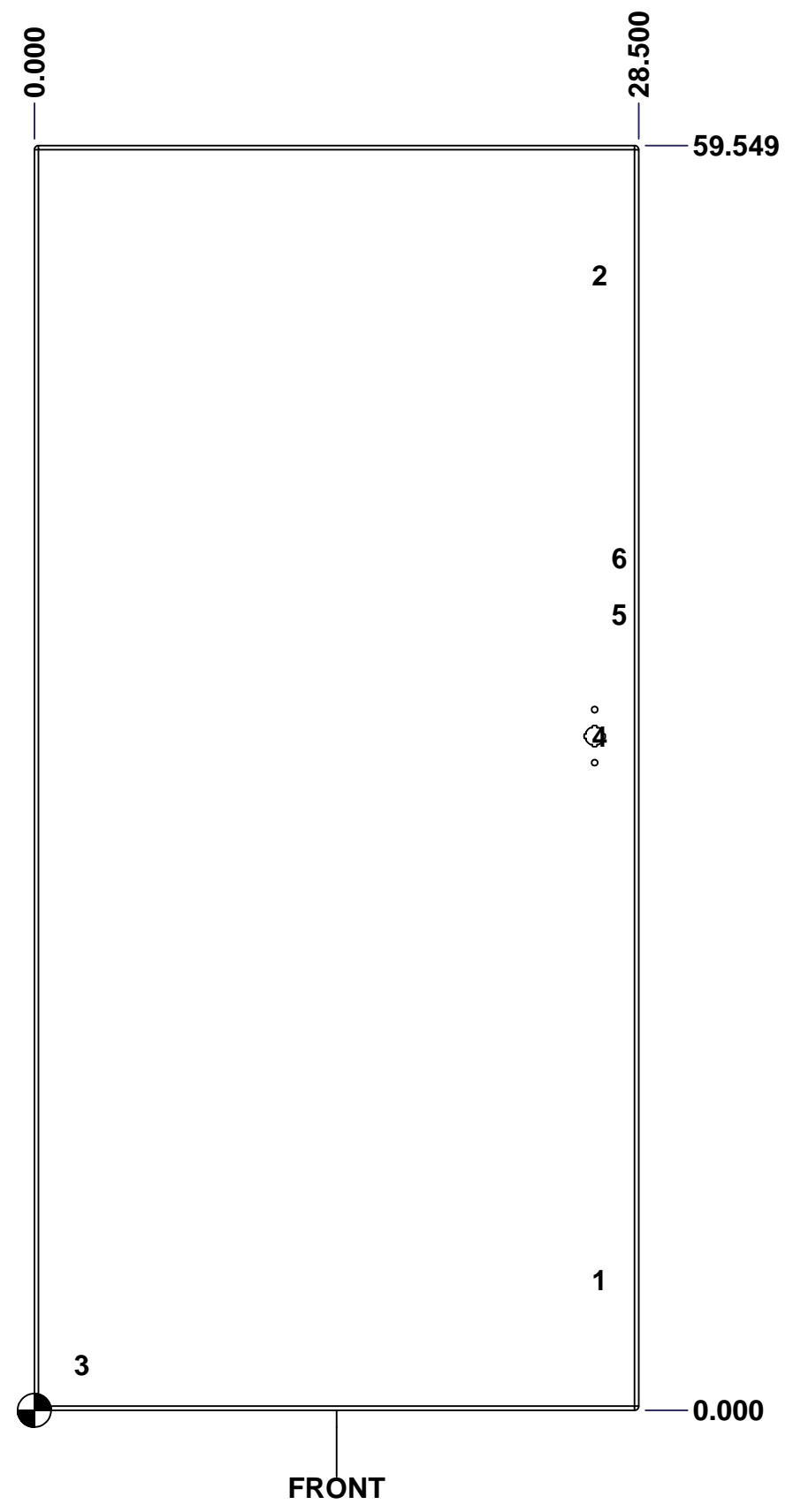
This drawing is confidential and must not be reproduced or used without the consent of EXM

Ce dessin est confidentiel et ne doit pas être reproduit ou utilisé sans le consentement de EXM

**STANDARD FEATURES ARE NOT LISTED IN THIS HOLE TABLE**

**HOLE TABLE - FRONT VIEW (CUSTOM FEATURE ONLY)**

CUT-OUT	XDIM	YDIM	DESCRIPTION
1	26.419	6.118	CLOSING BAR GUIDE (Inside)
2	26.419	53.430	CLOSING BAR GUIDE (Inside)
-----	-----	-----	-----
3	2.000	2.118	GND STUD M6 x 16mm (Inside)
4	26.419	31.743	HANDLE 885 ESL2A-APHDSS @ 0.0°
5	27.347	37.445	STUDS M6 x 18mm (Inside)
6	27.347	40.123	STUDS M6 x 18mm (Inside)

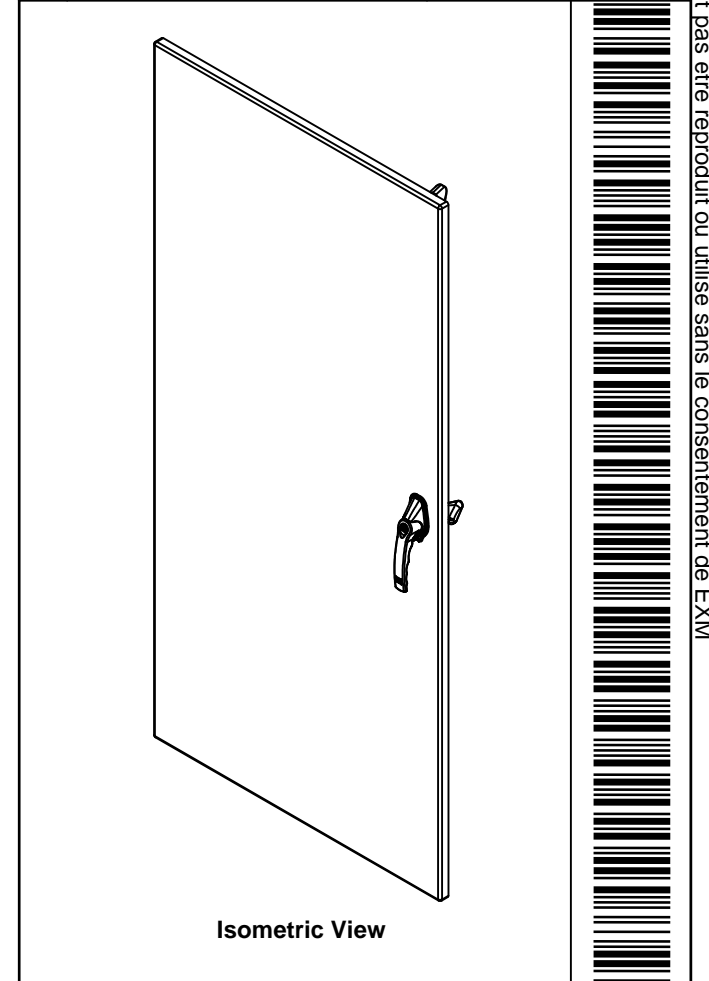


	Description	Status
	5500UFDSS 60" x 61" Lock Door	(NULL)
	Part Number Numéro Pièce	Rev.
	<b>5500UFDSS606112FD</b>	<b>0</b>
		2
		3

This drawing is confidential and must not be reproduced or used without the consent of EXM


Ce dessin est confidentiel et ne doit pas être reproduit ou utilisé sans le consentement de EXM

No.	Revisions	Date	By/Par



Isometric View

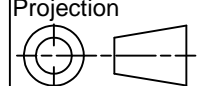
Qty	Part Name	Rev	Description
1	5500UFDSS606112CB	0	5500UFDSS 60" Closing Bar
1	5500UFDSS606112CB2E SY	0	5500UFDSS 60" Disconnect Closing Bar
1	STK-A-03880-36	12	Gearbox Clockwise Assembly (Grip 36mm)
1	885ESL-APHDSS	1	885 ESL2A-APHDSS - Stainless Steel L-Handle Padlockable Assy - Slot Cylinder
1	5500UFDSS606112FDG	0	5500UFDSS 60" x 61" Flange Door Gasket
1	STK-Q-16085	0	Ground Stud M6 x 16mm Stainless Steel
1	STK-P-02400S	0	Powder Paint (Asa-61 Grey / Smooth)
4	STK-Q-16070	1	Stud M6 x 18mm Stainless Steel
1	5500UFDSS606112FD-P	0	5500UFDSS 60" x 61" Lock Door Part
4	STK-K-09870	7	Cabinet Hinge with Captive Pins



Tél: (450) 979-4373  
Fax: (450) 979-4626  
[www.exmweb.com](http://www.exmweb.com)

Flatness  
Aplatissement  
Max 3.0mm

Projection



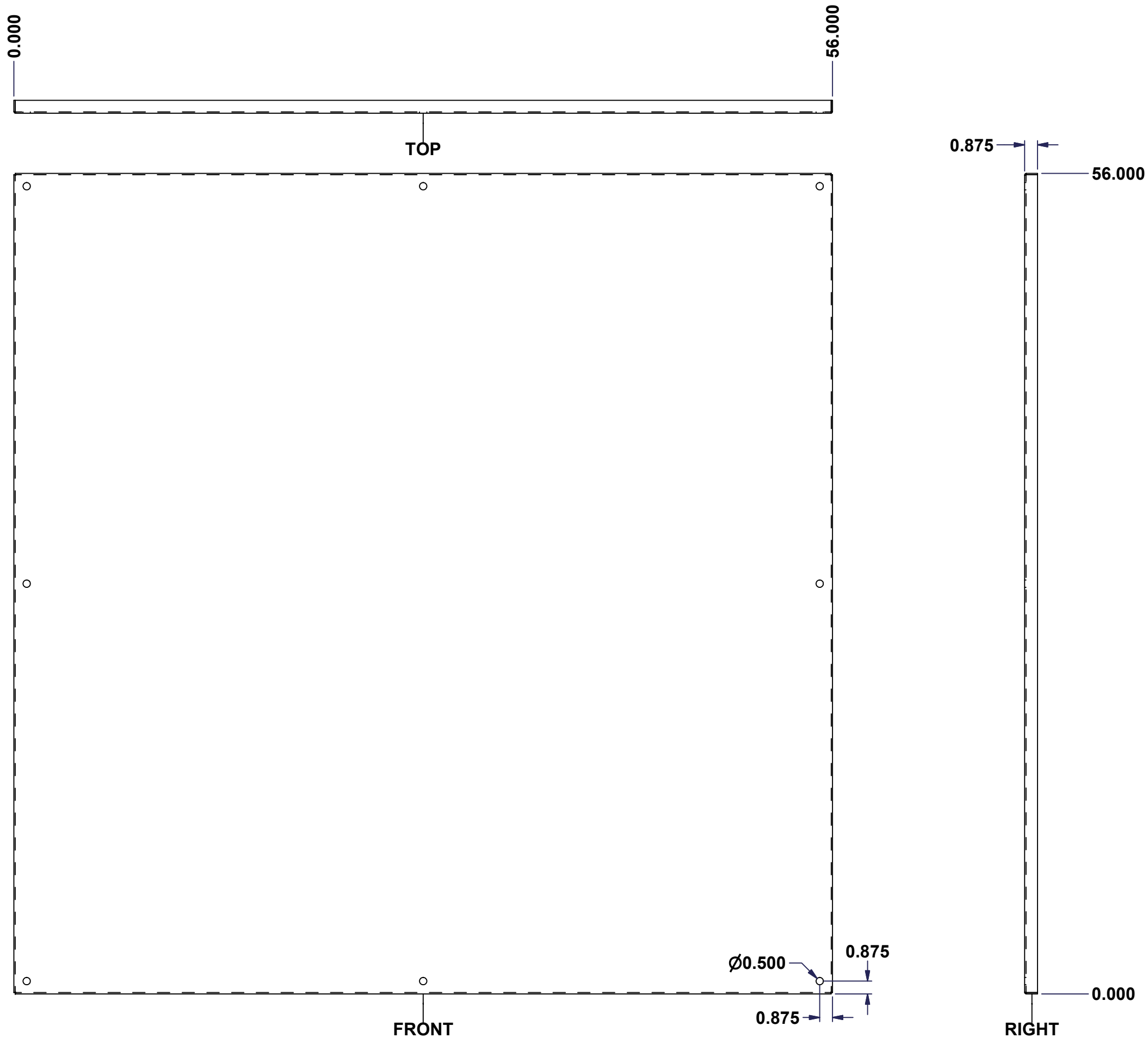
Customer Client	Date
Drawn By Dessiné Par BoxCad: BoxCad	Date 25-Mar-16
Material Matière 12 Ga Stainless Steel 304 (2.5mm)	
Color Couleur Asa-61 Grey	Finish Fini Smooth
Description 5500UFDSS 60" x 61" Lock Door	Detail Rev.
Part Number Numéro Pièce <b>5500UFDSS606112FD</b>	Rev. <b>0</b>

Parts List

3  
3

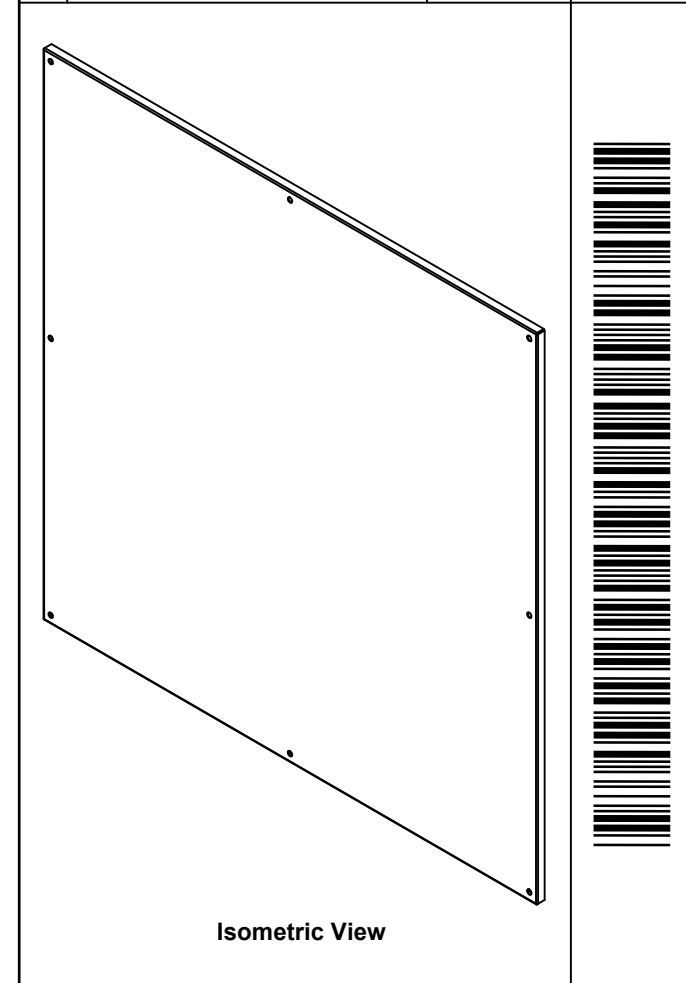
This drawing is confidential and must not be reproduced or used without the consent of EXM

Ce dessin est confidentiel et ne doit pas être reproduit ou utilisé sans le consentement de EXM



SEE BILL OF MATERIAL ON LAST PAGE

No.	Revisions	Date	By/Par

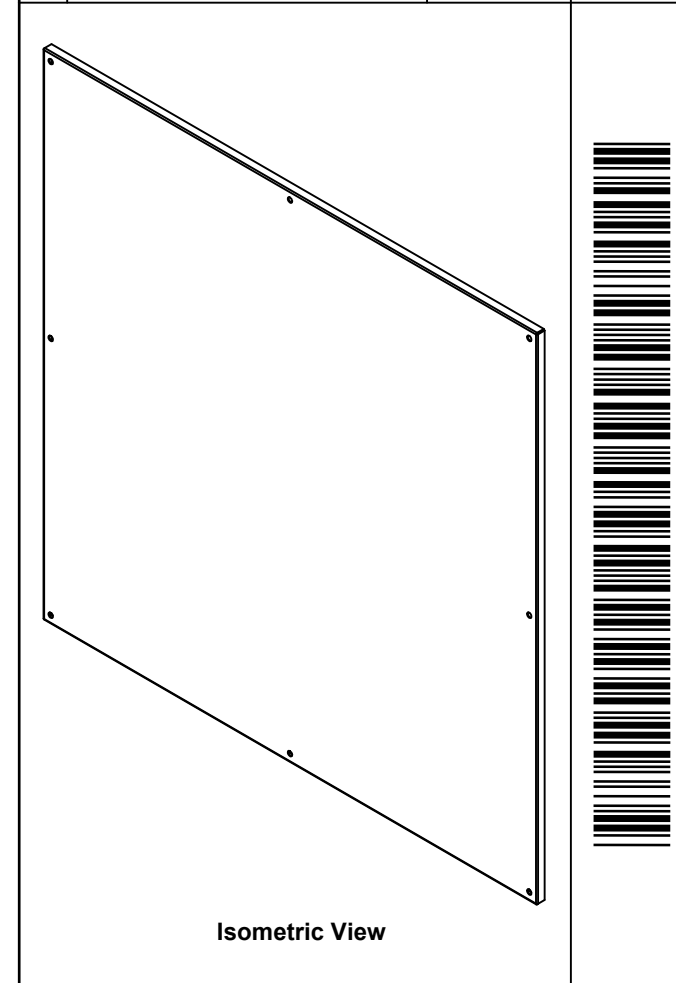



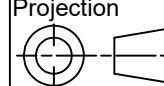
Tél: (450) 979-4373 Fax: (450) 979-4626 www.exmweb.com		Flatness Aplatissement Max 3.0mm Projection 
Customer Client	Date	
Drawn By Dessiné Par	BoxCad	Date 04/11/2009
Material Matière	12 Ga Galvanized (2.5mm)	
Color Couleur	Unpainted	Finish Fini Unpainted
Description	Detail Rev.	
885 SP6060G Inner Panel		
Part Number Numéro Pièce	Rev.	1
<b>885SP6060G</b>	<b>0</b>	2

This drawing is confidential and must not be reproduced or used without the consent of EXM

Ce dessin est confidentiel et ne doit pas être reproduit ou utilisé sans le consentement de EXM

No.	Revisions	Date	By/Par



 Tél: (450) 979-4373 Fax: (450) 979-4626 www.exmweb.com		Flatness Aplatissement	
		Max 3.0mm Projection 	
Customer Client		Date	
Drawn By Dessiné Par BoxCad		Date 04/11/2009	
Material Matière 12 Ga Galvanized (2.5mm)			
Color Couleur Unpainted		Finish Fini Unpainted	
Description 885 SP6060G Inner Panel			Detail Rev.
Part Number Numéro Pièce <b>885SP6060G</b>		Rev. <b>0</b>	2 2

Qty	Part Number	Rev	Description
1	885SP6060G-P	0	885 SP6060G Inner Panel Part
Parts List			