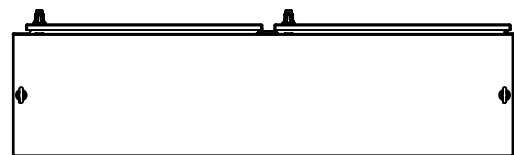
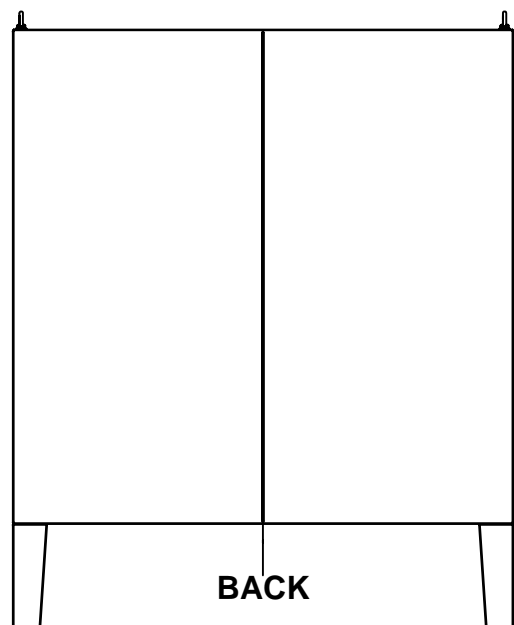


This drawing is confidential and must not be reproduced or used without the consent of EXM

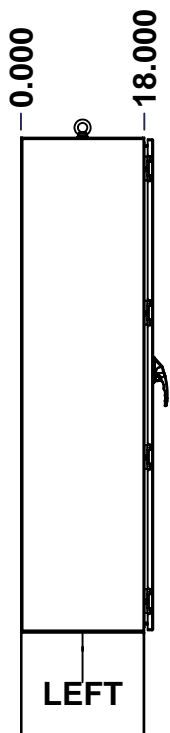
Ce dessin est confidentiel et ne doit pas être reproduit ou utilisé sans le consentement de EXM



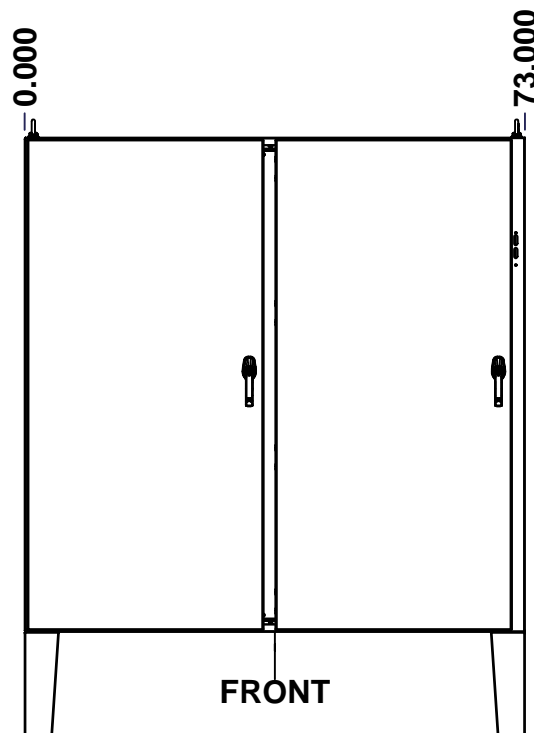
TOP



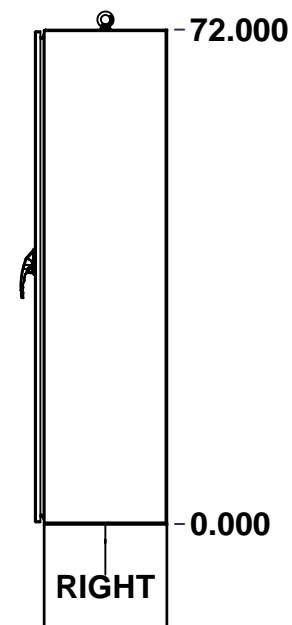
BACK



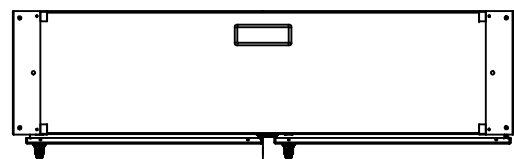
LEFT



FRONT

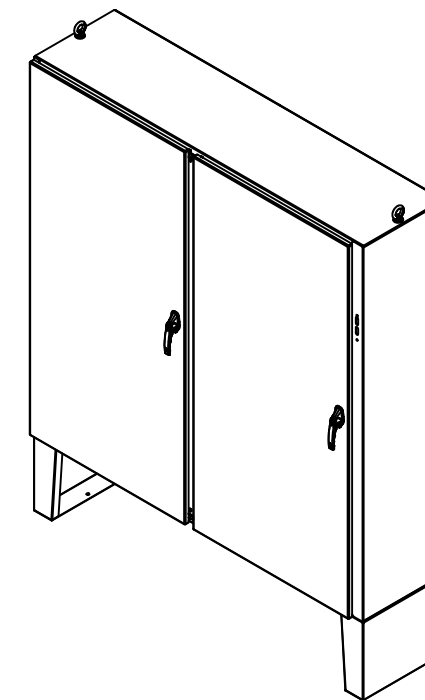


RIGHT




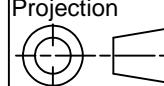
BOTTOM

No.	Revisions	Date	By/Par



Isometric View



 Tél: (450) 979-4373 Fax: (450) 979-4626 <a href="http://www.exmweb.com">www.exmweb.com</a>		Flatness Aplatissement Max 3.0mm Projection 
Customer Client	Date	
Drawn By Dessiné Par	BoxCad: BoxCad	Date 25-Mar-16
Material Matière	12 Ga Stainless Steel 304 (2.5mm)	
Color Couleur	Asa-61 Grey	Finish Fini Smooth
Description	Detail Rev.	
5500UFDSS 72" x 73" x 18" Assembly		
Part Number Numéro Pièce	Rev. 0	1 2

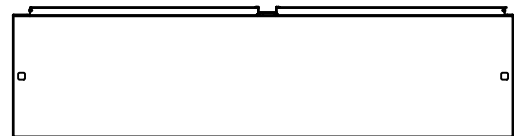
SEE BILL OF MATERIAL ON LAST PAGE

**5500UFDSS727318**

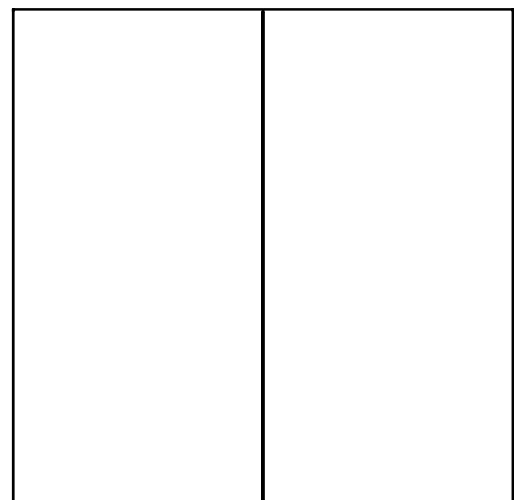


This drawing is confidential and must not be reproduced or used without the consent of EXM

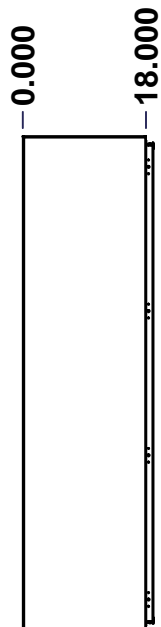
Ce dessin est confidentiel et ne doit pas être reproduit ou utilisé sans le consentement de EXM



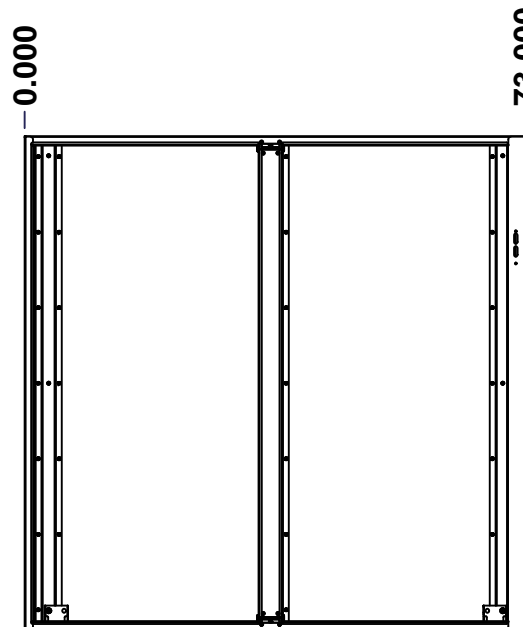
TOP



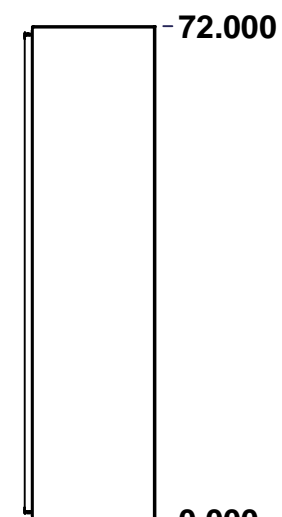
BACK



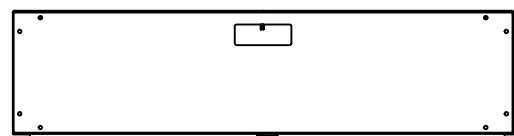
LEFT



FRONT

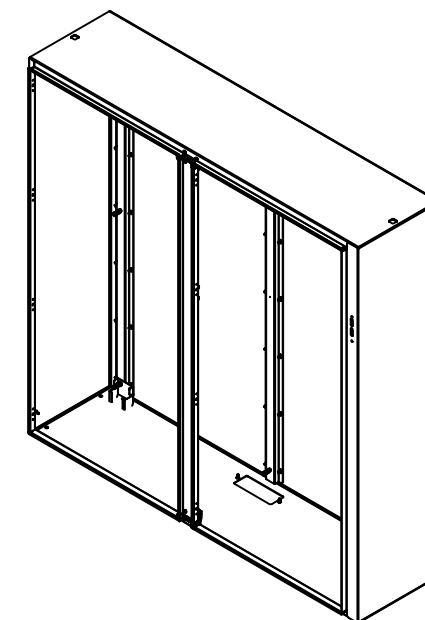


RIGHT



BOTTOM

No.	Revisions	Date	By/Par



Isometric View

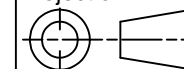


Tél: (450) 979-4373  
 Fax: (450) 979-4626  
[www.exmweb.com](http://www.exmweb.com)

Flatness  
Aplatissement

Max 3.0mm

Projection



Customer Client	Date
Drawn By Dessiné Par BoxCad: BoxCad	Date 25-Mar-16
Material Matière 12 Ga Stainless Steel 304 (2.5mm)	
Color Couleur Asa-61 Grey	Finish Fini Smooth
Description 5500UFDSS 72" x 73" x 18" Body	Detail Rev.

Part Number Numéro Pièce	Rev.	1
<b>5500UFDSS727318B</b>	<b>0</b>	2

SEE BILL OF MATERIAL ON LAST PAGE

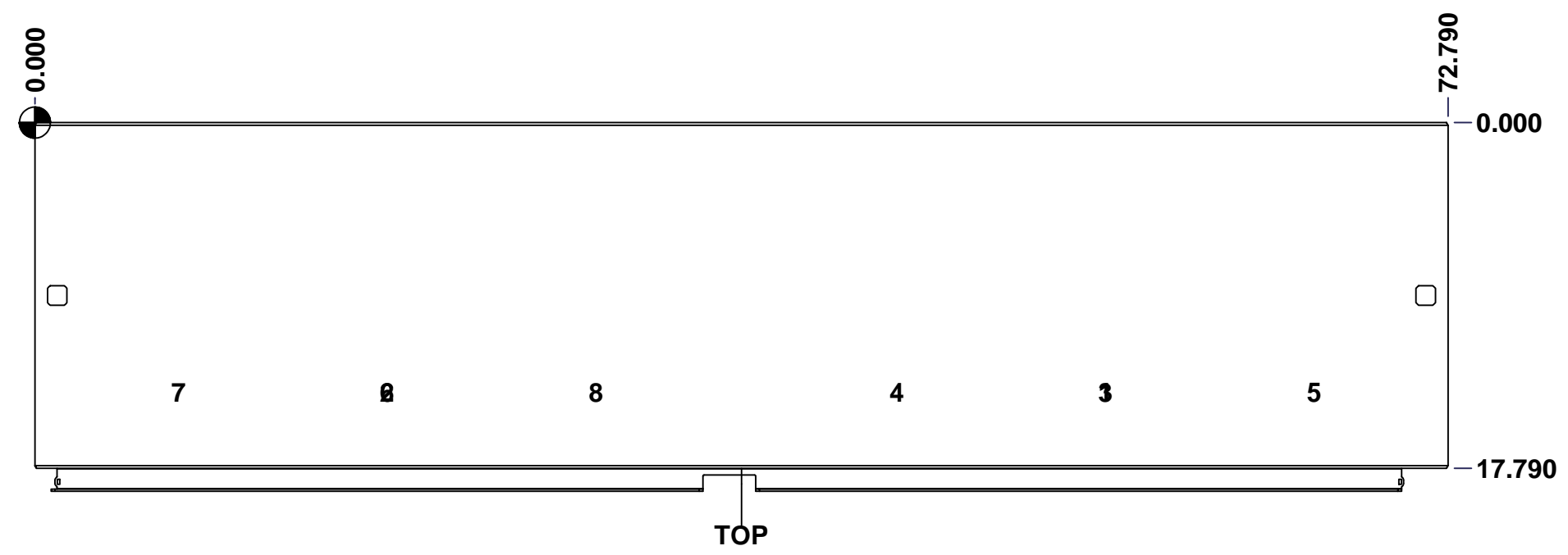
This drawing is confidential and must not be reproduced or used without the consent of EXM

Ce dessin est confidentiel et ne doit pas être reproduit ou utilisé sans le consentement de EXM

**STANDARD FEATURES ARE NOT LISTED IN THIS HOLE TABLE**

**HOLE TABLE - TOP VIEW (CUSTOM FEATURE ONLY)**

CUT-OUT	XDIM	YDIM	DESCRIPTION
1	54.895	13.895	Struts CR400 27.500" (Inside)
2	17.895	13.895	Struts CR400 27.500" (Inside)
3	54.895	13.895	STUDS M6 x 10mm (Inside)
4	44.145	13.895	STUDS M6 x 10mm (Inside)
5	65.645	13.895	STUDS M6 x 10mm (Inside)
6	17.895	13.895	STUDS M6 x 10mm (Inside)
7	7.145	13.895	STUDS M6 x 10mm (Inside)
8	28.645	13.895	STUDS M6 x 10mm (Inside)



	Description	Status	
	5500UFDSS 72" x 73" x 18" Body	Released	
	Part Number Numéro Pièce	Rev.	
	<b>5500UFDSS727318B</b>	<b>0</b>	2 / 7

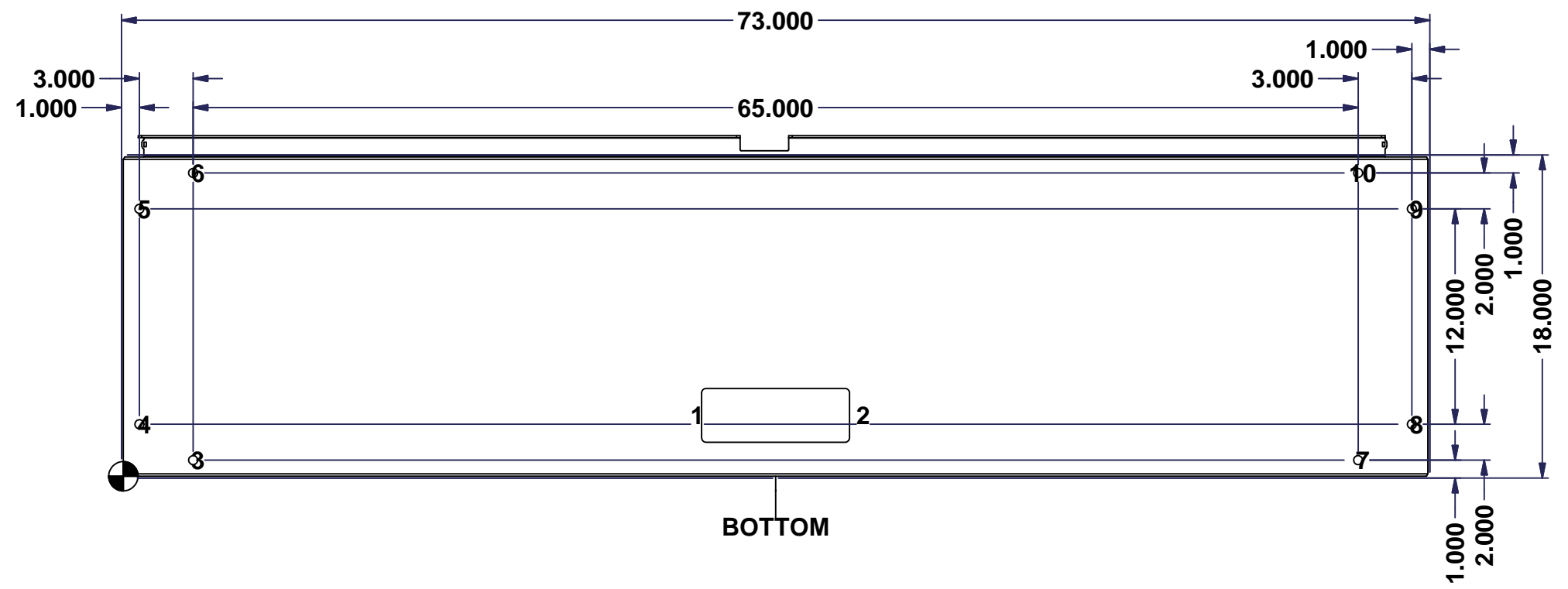
This drawing is confidential and must not be reproduced or used without the consent of EXM

Ce dessin est confidentiel et ne doit pas être reproduit ou utilisé sans le consentement de EXM

**STANDARD FEATURES ARE NOT LISTED IN THIS HOLE TABLE**

**HOLE TABLE - BOTTOM VIEW (CUSTOM FEATURE ONLY)**

CUT-OUT	XDIM	YDIM	DESCRIPTION
1	31.770	3.395	GP STUD M6 x 16mm (Inside)
2	41.020	3.395	GP STUD M6 x 16mm (Inside)
-----			
3	3.895	0.895	RND Ø0.500
4	0.895	2.895	RND Ø0.500
5	0.895	14.895	RND Ø0.500
6	3.895	16.895	RND Ø0.500
7	68.895	0.895	RND Ø0.500
8	71.895	2.895	RND Ø0.500
9	71.895	14.895	RND Ø0.500
10	68.895	16.895	RND Ø0.500

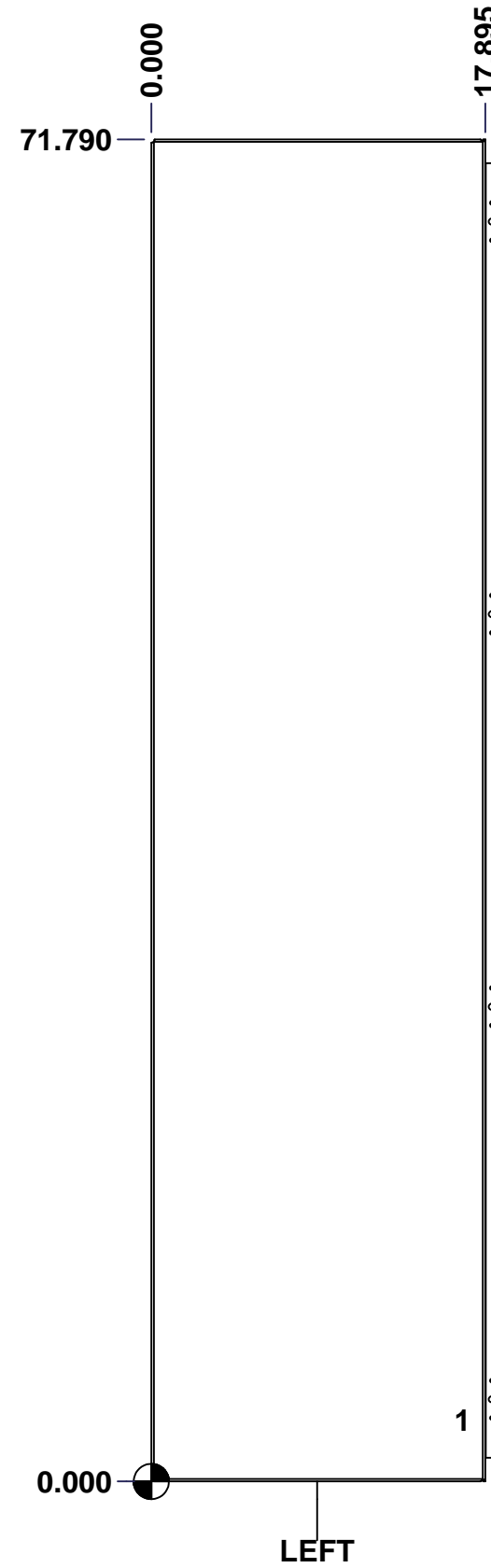


	Description	Status	
	5500UFDSS 72" x 73" x 18" Body	Released	
	Part Number Numéro Pièce	Rev.	
	<b>5500UFDSS727318B</b>	<b>0</b>	4 / 7

This drawing is confidential and must not be reproduced or used without the consent of EXM

Ce dessin est confidentiel et ne doit pas être reproduit ou utilisé sans le consentement de EXM

STANDARD FEATURES ARE NOT LISTED IN THIS HOLE TABLE			
HOLE TABLE - LEFT VIEW (CUSTOM FEATURE ONLY)			
CUT-OUT	XDIM	YDIM	DESCRIPTION
1	16.395	3.270	GND STUD M6 x 16mm (Inside)

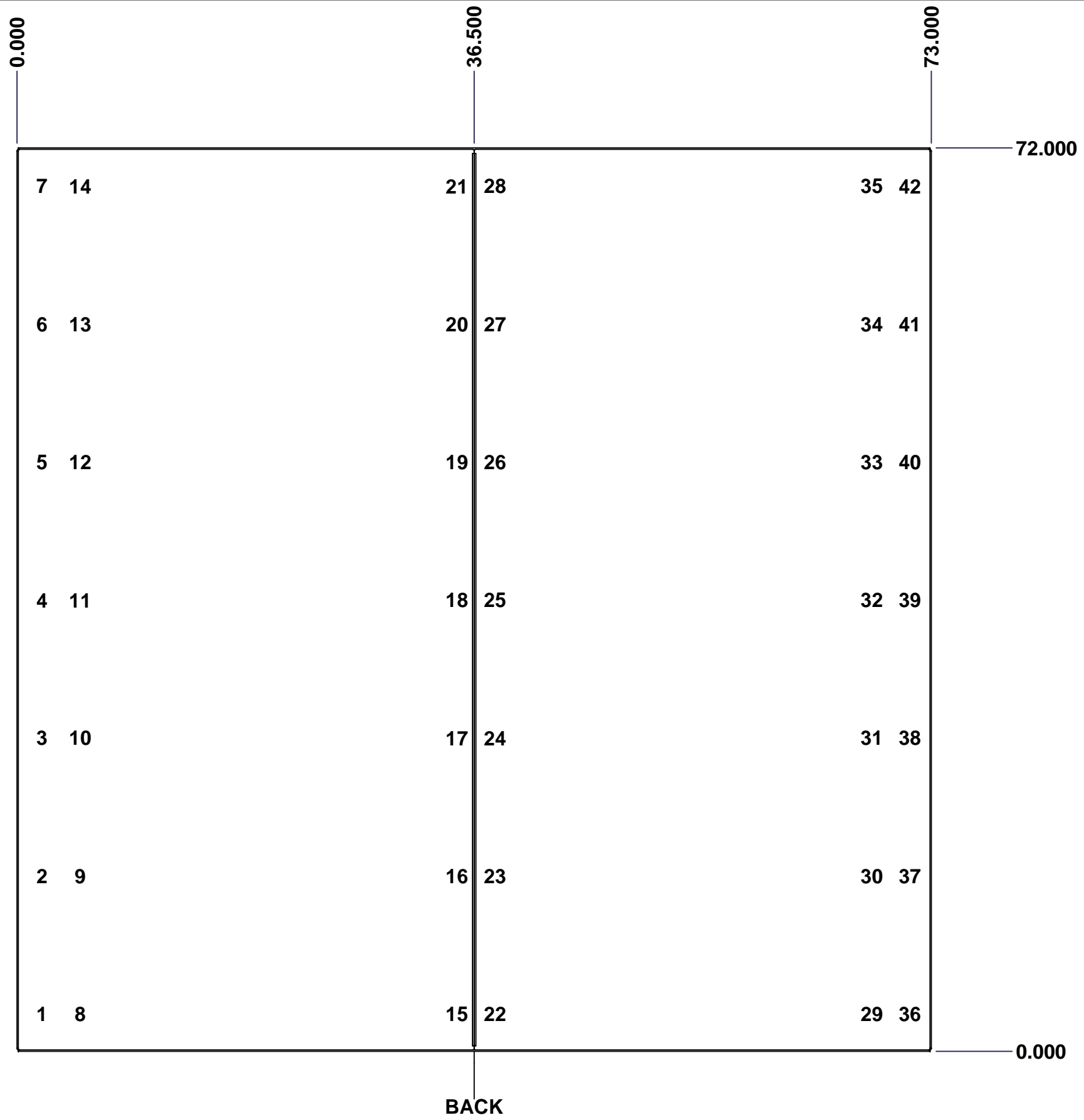


	Description	Status
	5500UFDSS 72" x 73" x 18" Body	Released
	Part Number Numéro Pièce	Rev.
	<b>5500UFDSS727318B</b>	<b>0</b>
		5 / 7

This drawing is confidential and must not be reproduced or used without the consent of EXM

Ce dessin est confidentiel et ne doit pas être reproduit ou utilisé sans le consentement de EXM

STANDARD FEATURES ARE NOT LISTED IN THIS HOLE TABLE			
HOLE TABLE - BACK VIEW (CUSTOM FEATURE ONLY)			
CUT-OUT	XDIM	YDIM	DESCRIPTION
1	1.730	3.000	STUDS M6 x 18mm (Inside)
2	1.730	14.000	STUDS M6 x 18mm (Inside)
3	1.730	25.000	STUDS M6 x 18mm (Inside)
4	1.730	36.000	STUDS M6 x 18mm (Inside)
5	1.730	47.000	STUDS M6 x 18mm (Inside)
6	1.730	58.000	STUDS M6 x 18mm (Inside)
7	1.730	69.000	STUDS M6 x 18mm (Inside)
8	4.770	3.000	STUDS M6 x 18mm (Inside)
9	4.770	14.000	STUDS M6 x 18mm (Inside)
10	4.770	25.000	STUDS M6 x 18mm (Inside)
11	4.770	36.000	STUDS M6 x 18mm (Inside)
12	4.770	47.000	STUDS M6 x 18mm (Inside)
13	4.770	58.000	STUDS M6 x 18mm (Inside)
14	4.770	69.000	STUDS M6 x 18mm (Inside)
15	34.855	3.000	STUDS M6 x 18mm (Inside)
16	34.855	14.000	STUDS M6 x 18mm (Inside)
17	34.855	25.000	STUDS M6 x 18mm (Inside)
18	34.855	36.000	STUDS M6 x 18mm (Inside)
19	34.855	47.000	STUDS M6 x 18mm (Inside)
20	34.855	58.000	STUDS M6 x 18mm (Inside)
21	34.855	69.000	STUDS M6 x 18mm (Inside)
22	37.895	3.000	STUDS M6 x 18mm (Inside)
23	37.895	14.000	STUDS M6 x 18mm (Inside)
24	37.895	25.000	STUDS M6 x 18mm (Inside)
25	37.895	36.000	STUDS M6 x 18mm (Inside)
26	37.895	47.000	STUDS M6 x 18mm (Inside)
27	37.895	58.000	STUDS M6 x 18mm (Inside)
28	37.895	69.000	STUDS M6 x 18mm (Inside)
29	67.980	3.000	STUDS M6 x 18mm (Inside)
30	67.980	14.000	STUDS M6 x 18mm (Inside)
31	67.980	25.000	STUDS M6 x 18mm (Inside)
32	67.980	36.000	STUDS M6 x 18mm (Inside)
33	67.980	47.000	STUDS M6 x 18mm (Inside)
34	67.980	58.000	STUDS M6 x 18mm (Inside)
35	67.980	69.000	STUDS M6 x 18mm (Inside)
36	71.020	3.000	STUDS M6 x 18mm (Inside)
37	71.020	14.000	STUDS M6 x 18mm (Inside)
38	71.020	25.000	STUDS M6 x 18mm (Inside)
39	71.020	36.000	STUDS M6 x 18mm (Inside)
40	71.020	47.000	STUDS M6 x 18mm (Inside)
41	71.020	58.000	STUDS M6 x 18mm (Inside)
42	71.020	69.000	STUDS M6 x 18mm (Inside)

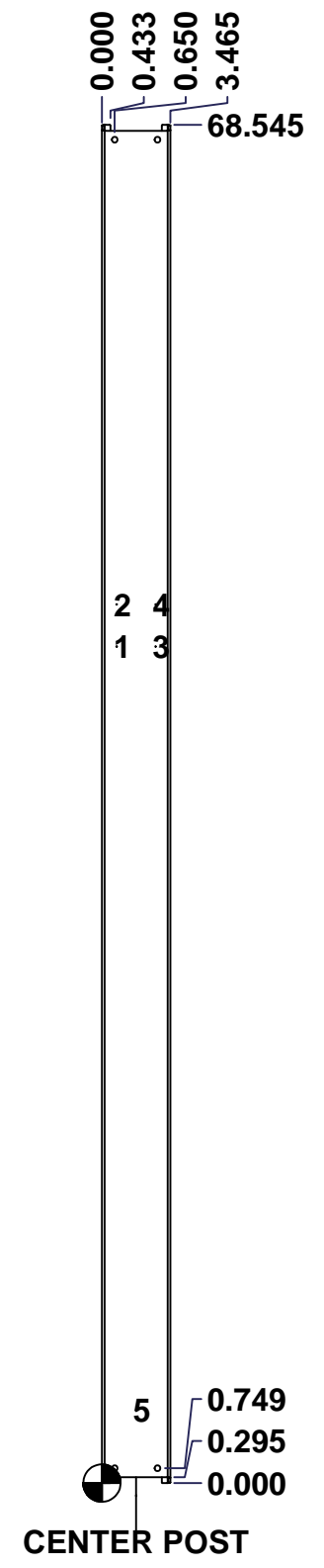


	Description		Status	
	5500UFDSS 72" x 73" x 18" Body		Released	
Part Number Numéro Pièce		Rev.	6	
5500UFDSS727318B		0	7	

This drawing is confidential and must not be reproduced or used without the consent of EXM

Ce dessin est confidentiel et ne doit pas être reproduit ou utilisé sans le consentement de EXM

STANDARD FEATURES ARE NOT LISTED IN THIS HOLE TABLE			
HOLE TABLE - CENTER VIEW (CUSTOM FEATURE ONLY)			
CUT-OUT	XDIM	YDIM	DESCRIPTION
1	0.748	42.220	INTERLOCK STUD M6 x 16mm (Inside)
2	0.748	44.346	INTERLOCK STUD M6 x 16mm (Inside)
3	2.717	42.220	INTERLOCK STUD M6 x 16mm (Inside)
4	2.717	44.346	INTERLOCK STUD M6 x 16mm (Inside)
5	1.732	3.648	GND STUD M6 x 16mm (Inside)



	Description	Status	
	5500UFDSS 72" x 73" x 18" Body	Released	
	Part Number Numéro Pièce	Rev.	6
	<b>5500UFDSS727318B</b>	<b>0</b>	7



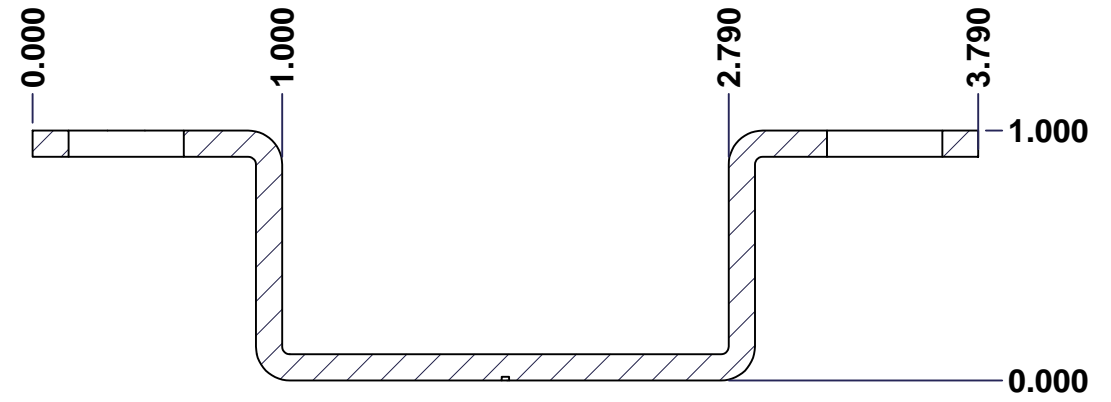
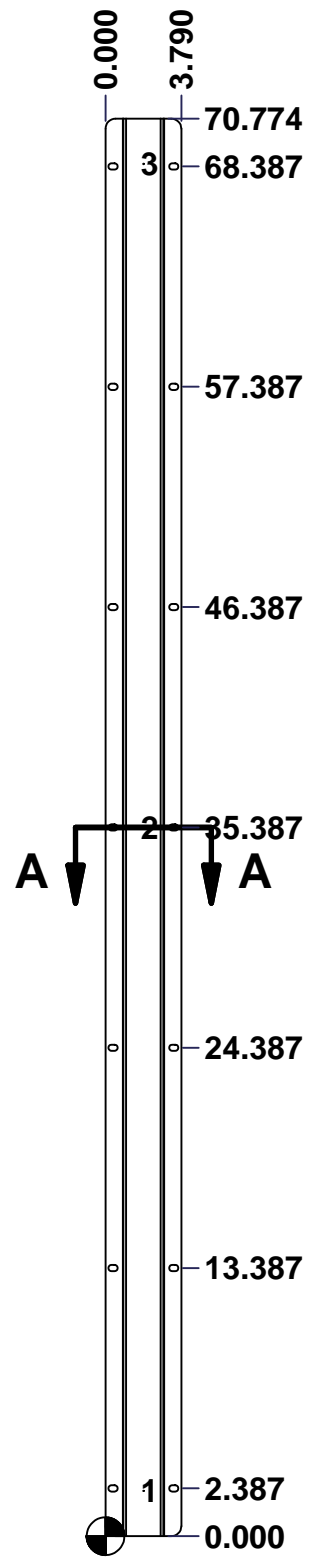
This drawing is confidential and must not be reproduced or used without the consent of EXM

Ce dessin est confidentiel et ne doit pas être reproduit ou utilisé sans le consentement de EXM

**STANDARD FEATURES ARE NOT LISTED IN THIS HOLE TABLE**

**HOLE TABLE - CENTER VIEW (CUSTOM FEATURE ONLY)**

CUT-OUT	XDIM	YDIM	DESCRIPTION
1	1.895	2.262	IP STUD M10 x 40mm (Outside)
2	1.895	35.387	IP STUD M10 x 40mm (Outside)
3	1.895	68.512	IP STUD M10 x 40mm (Outside)



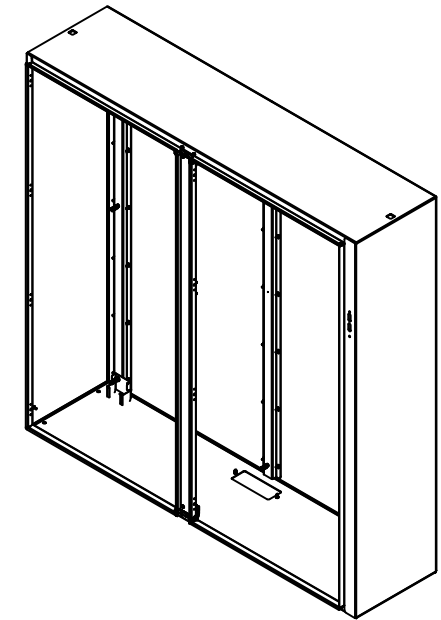
**SECTION A-A**

	Description	Status	
	5500UFDSS 72" x 73" x 18" Body	Released	
	Part Number Numéro Pièce	Rev.	
	<b>5500UFDSS727318B</b>	<b>0</b>	6 7

This drawing is confidential and must not be reproduced or used without the consent of EXM

Ce dessin est confidentiel et ne doit pas être reproduit ou utilisé sans le consentement de EXM

No.	Revisions	Date	By/Par



Isometric View



6	STK-Q-16040	0	Stud M6 x 10mm Stainless Steel
1	STK-Q-16085	0	Ground Stud M6 x 16mm Stainless Steel
1	STK-P-02400S	0	Powder Paint (Asa-61 Grey / Smooth)
3	STK-Q-16095	0	M6 x 16mm Stainless Steel Ground Stud
46	STK-Q-16070	1	Stud M6 x 18mm Stainless Steel
1	STK-A-75456	2	Center Post - Stainless Steel Sealing Block with Latch Assembly (Large)
1	5500UFDSS727318CP-P	0	5500UFDSS 72" Center Post Part
8	STK-Q-16120	0	Stud M10 x 40mm Stainless Steel
2	STK-Q-07320	0	Flange Lock Nut M10
2	STK-Q-07618	1	5500 Series Inner Panel Support Bracket
3	5500UFDSS727318POST-P	0	5500UFDSS 72" IP Post Part
1	5500UFDSS727318BT-P	0	5500UFDSS 73" x 18" Bottom Part
1	5500UFDSS727318T-P	0	5500UFDSS 73" x 18" Top Part
1	5500UFDSS727318RS-P	0	5500UFDSS 72" x 73" Right Part
1	5500UFDSS727318LS-P	0	5500UFDSS 72" x 73" Left Part
1	5500UFDSS727318BR-P	0	5500UFDSS 72" x 73" Back Right Part
1	5500UFDSS727318BL-P	0	5500UFDSS 72" x 73" Back Left Part
2	CR400SS_27.5	0	Commercial Roll Stainless Steel (27.5in long)
48	STK-Q-07220	1	M6 Nylon Insert Lock Nut

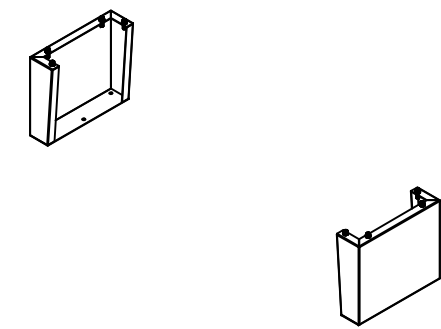
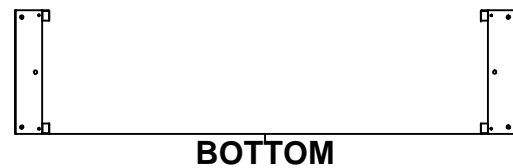
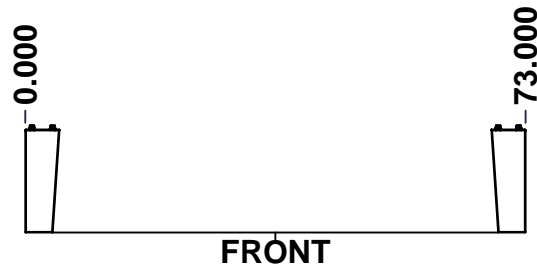
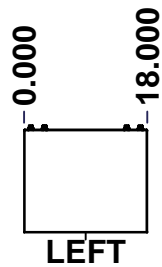
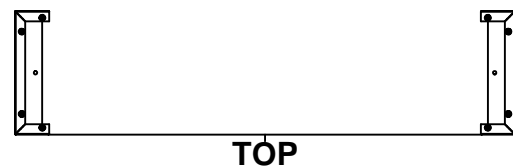
Qty	Part Number	Rev	Description
Parts List			


Tél: (450) 979-4373 Fax: (450) 979-4626 <a href="http://www.exmweb.com">www.exmweb.com</a>		Flatness Aplatissement	
		Max 3.0mm	
Customer Client		Date	
Drawn By Dessiné Par		Date 25-Mar-16	
Material Matière		12 Ga Stainless Steel 304 (2.5mm)	
Color Couleur		Finish Fini	
Asa-61 Grey		Smooth	
Description			Detail Rev.
5500UFDSS 72" x 73" x 18" Body			
Part Number Numéro Pièce		Rev.	2
<b>5500UFDSS727318B</b>		<b>0</b>	<b>2</b>

This drawing is confidential and must not be reproduced or used without the consent of EXM

Ce dessin est confidentiel et ne doit pas être reproduit ou utilisé sans le consentement de EXM

No.	Revisions	Date	By/Par



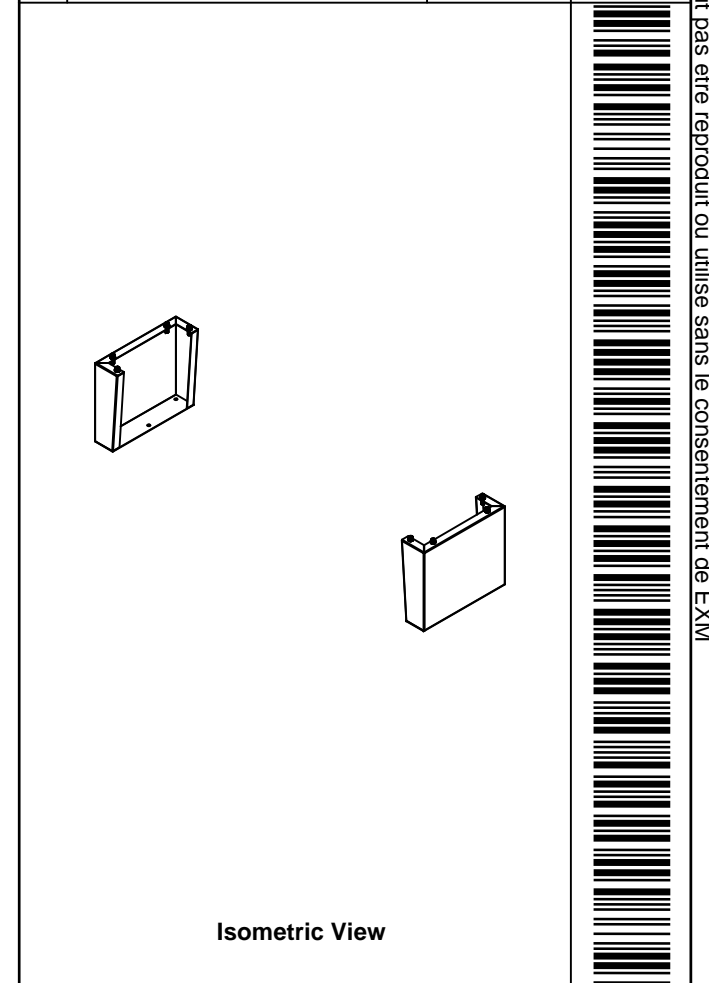
 Tél: (450) 979-4373 Fax: (450) 979-4626 <a href="http://www.exmweb.com">www.exmweb.com</a>		Flatness Aplatissement	
		Max 3.0mm	
Customer Client		Date	
Drawn By Dessiné Par BoxCad: BoxCad		Date 25-Mar-16	
Material Matière 12 Ga Stainless Steel 304 (2.5mm)		Projection	
Color Couleur Asa-61 Grey		Finish Fini Smooth	
Description 885 MFHD 15" x 18" Mounting Feet		Detail Rev.	
Part Number Numéro Pièce <b>5500UFDSS727318MF</b>		Rev. <b>0</b>	1 / 4


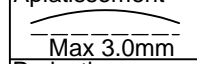
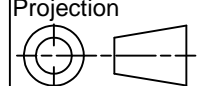
**SEE BILL OF MATERIAL ON LAST PAGE**

This drawing is confidential and must not be reproduced or used without the consent of EXM

Ce dessin est confidentiel et ne doit pas être reproduit ou utilisé sans le consentement de EXM

No.	Revisions	Date	By/Par



 Tél: (450) 979-4373 Fax: (450) 979-4626 <a href="http://www.exmweb.com">www.exmweb.com</a>		Flatness Aplatissement  Max 3.0mm Projection 	
Customer Client		Date	
Drawn By / Dessiné Par: BoxCad: BoxCad		Date: 25-Mar-16	
Material / Matière: 12 Ga Stainless Steel 304 (2.5mm)		Color / Couleur: Asa-61 Grey	
Finish / Fini: Smooth		Description: 885 MFHD 15" x 18" Mounting Feet	
Part Number / Numéro Pièce: <b>5500UFDSS727318MF</b>		Rev.:	4
		<b>0</b>	4

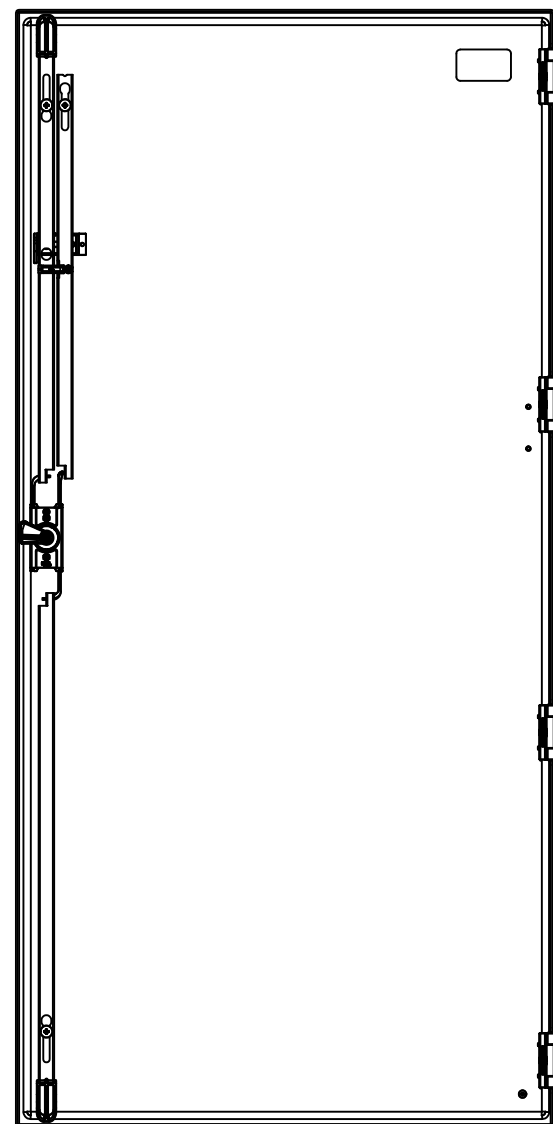
Qty	Part Name	Rev	Description
1	STK-P-02400S	0	Powder Paint (Asa-61 Grey / Smooth)
8	RIVET_NUT_SS_M10_FH_CE	0	Stainless Steel Rivet Nut M10 (Low Profile Close End)
1	5500UFDSS727318MFR-P	0	885 MFHD 15" x 18" Right Mounting Feet Part
1	5500UFDSS727318MFL-P	0	885 MFHD 15" x 18" Left Mounting Feet Part
1	STK-K-11610	2	885 MFSS Accessory Kit
Parts List			

This drawing is confidential and must not be reproduced or used without the consent of EXM

Ce dessin est confidentiel et ne doit pas être reproduit ou utilisé sans le consentement de EXM



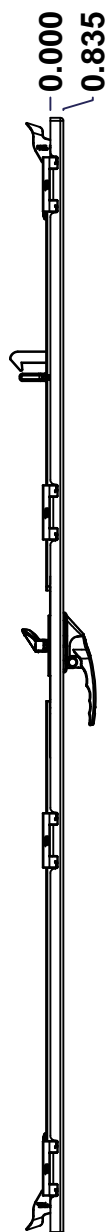
TOP



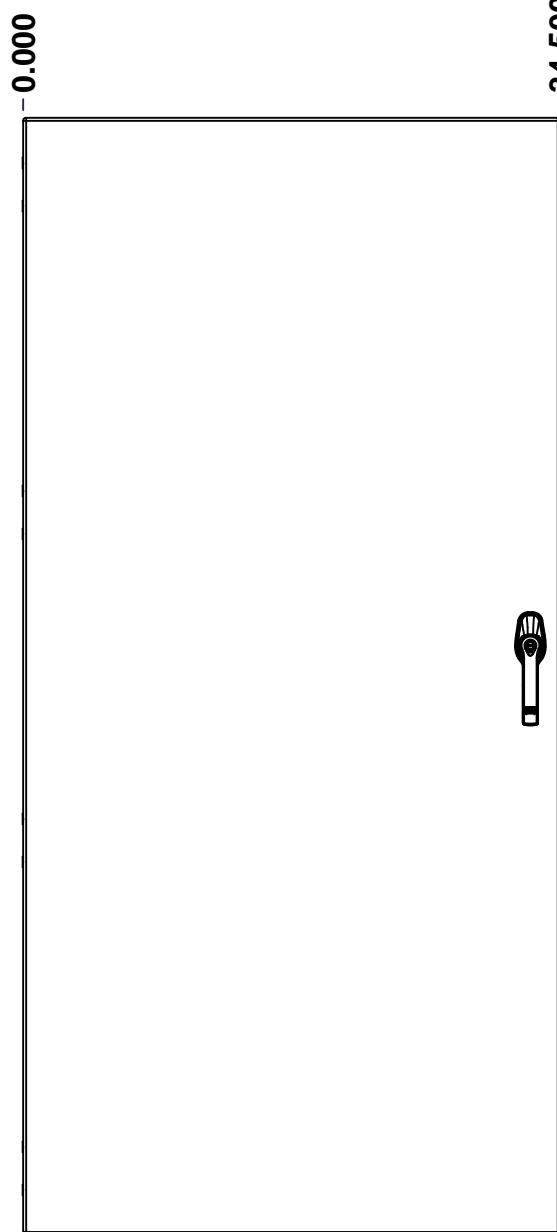
BACK



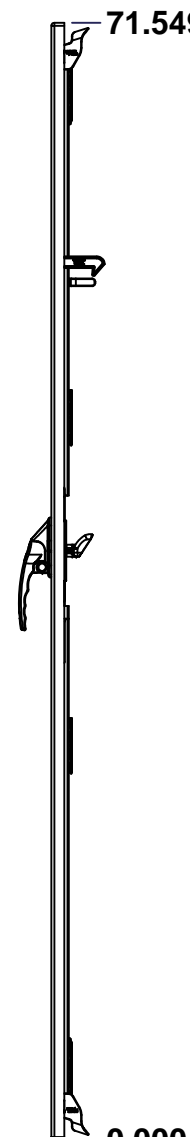
BOTTOM



LEFT

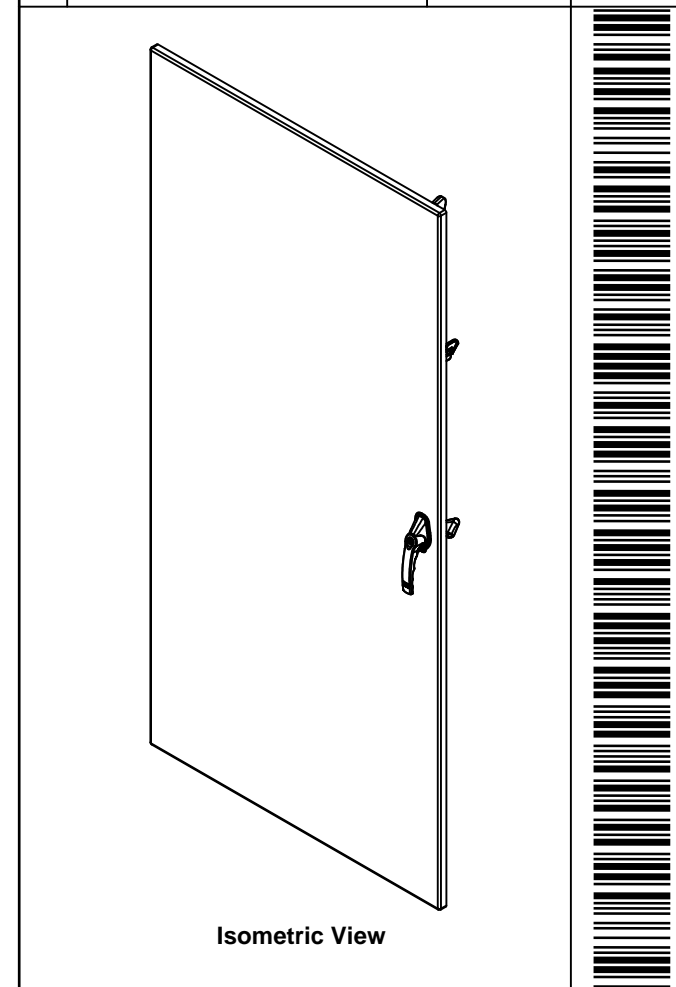


FRONT



RIGHT

No.	Revisions	Date	By/Par



Isometric View

 Tél: (450) 979-4373 Fax: (450) 979-4626 <a href="http://www.exmweb.com">www.exmweb.com</a>		Flatness Aplatissement Max 3.0mm Projection 
Customer Client	Date	
Drawn By / Dessiné Par: BoxCad: BoxCad	Date: 25-Mar-16	
Material / Matière: 12 Ga Stainless Steel 304 (2.5mm)	Color / Couleur: Asa-61 Grey	
	Finish / Fini: Smooth	
Description: 5500UFDSS 72" x 73" Lock Door	Detail Rev.	
Part Number / Numéro Pièce: 5500UFDSS727318LD	Rev. 0	1 / 3

SEE BILL OF MATERIAL ON LAST PAGE

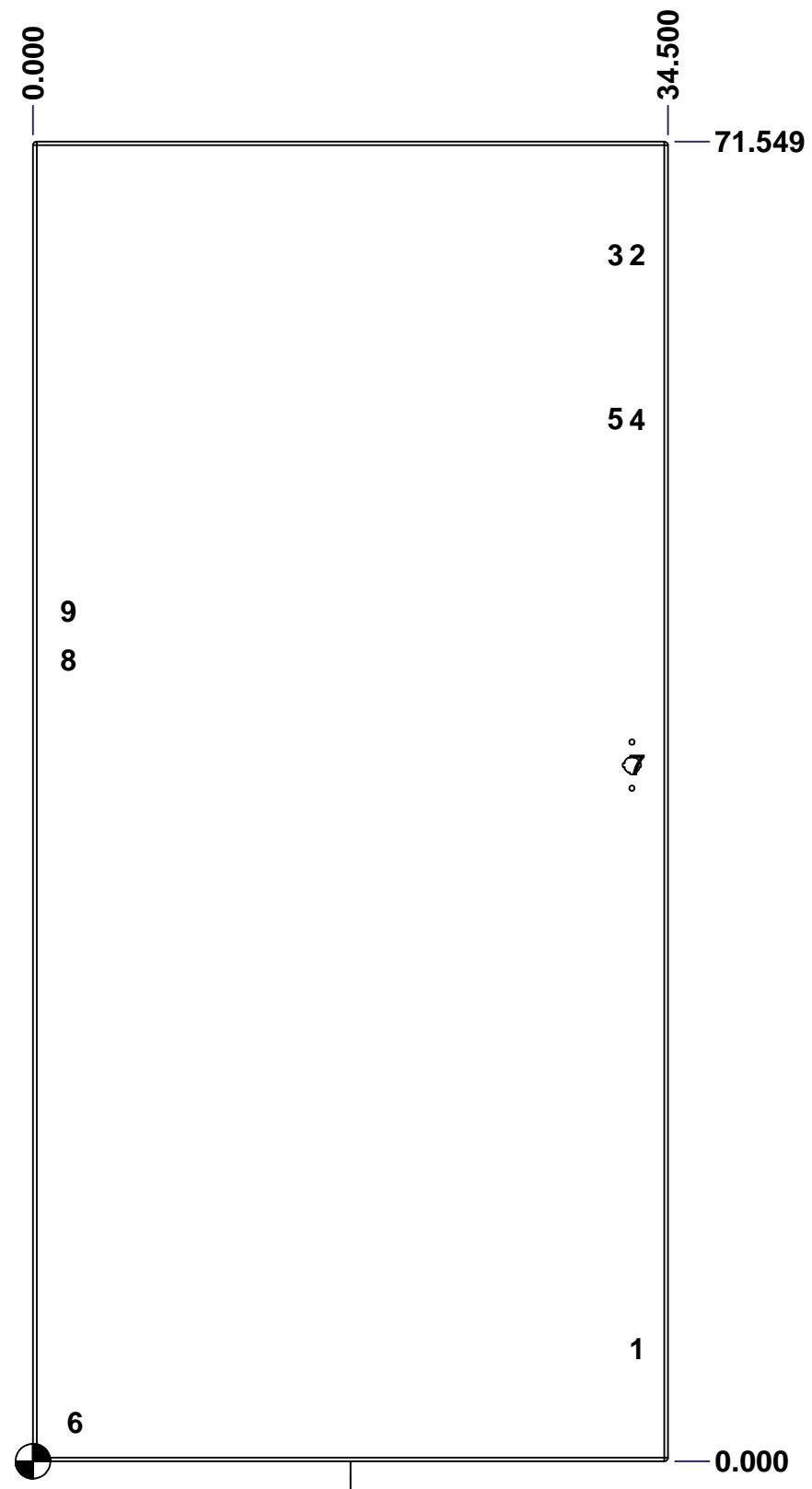
This drawing is confidential and must not be reproduced or used without the consent of EXM

Ce dessin est confidentiel et ne doit pas être reproduit ou utilisé sans le consentement de EXM

**STANDARD FEATURES ARE NOT LISTED IN THIS HOLE TABLE**

**HOLE TABLE - FRONT VIEW (CUSTOM FEATURE ONLY)**

CUT-OUT	XDIM	YDIM	DESCRIPTION
1	32.544	6.118	STUD M6 x 18mm (Inside)
2	32.544	65.430	STUD M6 x 18mm (Inside)
3	31.357	65.430	STUD M6 x 18mm (Inside)
4	32.544	56.525	STUD M6 x 18mm (Inside)
5	31.357	56.525	STUD M6 x 18mm (Inside)
-----	-----	-----	-----
6	2.000	2.118	GND STUD M6 x 16mm (Inside)
7	32.544	37.743	HANDLE 885 ESL2A-APHDSS @ 0.0°
8	1.625	43.445	STUDS M6 x 18mm (Inside)
9	1.625	46.123	STUDS M6 x 18mm (Inside)



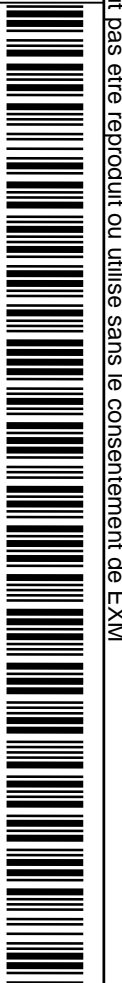
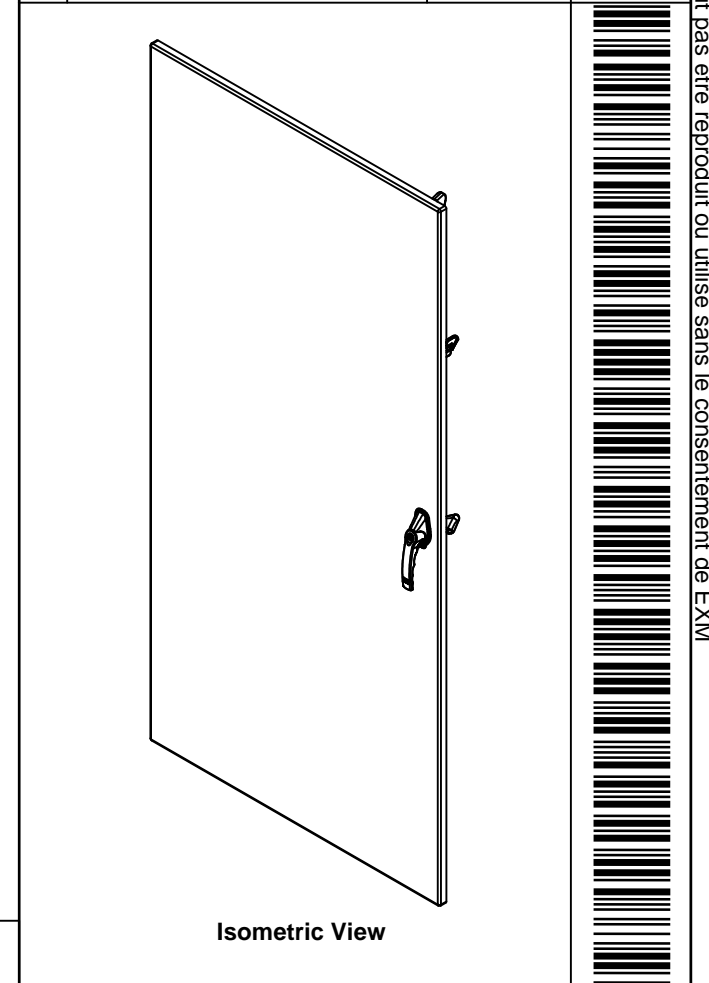
FRONT

	Description	Status
	5500UFDSS 72" x 73" Lock Door	(NULL)
	Part Number Numéro Pièce	Rev.
	<b>5500UFDSS727318LD</b>	<b>0</b>
		2
		3


This drawing is confidential and must not be reproduced or used without the consent of EXM

Ce dessin est confidentiel et ne doit pas être reproduit ou utilisé sans le consentement de EXM

No.	Revisions	Date	By/Par



1	5500UFDSS727318DB_ESY	0	5500UFDSS 72" Disconnect Defeater Bar
1	5500UFDSS727318CB	0	5500UFDSS 72" Closing Bar
1	5500UFDSS727318CB_ESY	0	5500UFDSS 72" Disconnect Closing Bar
1	STK-K-03895-36	3	Gearbox Clockwise Assembly (Grip 36mm)
1	885ESL-APHDSS	1	885 ESL2A-APHDSS - Stainless Steel L-Handle Padlockable Assy - Slot Cylinder
1	STK-Q-16085	0	Ground Stud M6 x 16mm Stainless Steel
1	STK-P-02400S	0	Powder Paint (Asa-61 Grey / Smooth)
1	STK-S-00100	0	3.5" x 2" Silver Milar Flexcon Sticker
1	STK-Q-07220	1	M6 Nylon Insert Lock Nut
1	5500UFDSS727318LDG	0	5500UFDSS 72" x 73" Lock Door Gasket
1	STK-Q-13060	1	M6 Flat Washer
1	STK-Q-46600	3	5500 ESY Disconnect Door Hook
7	STK-Q-16070	1	Stud M6 x 18mm Stainless Steel
1	5500UFDSS727318LD-P	0	5500UFDSS 72" x 73" Lock Door Part
4	STK-K-09870	7	Cabinet Hinge with Captive Pins
Qty	Part Name	Rev	Description



Tél: (450) 979-4373  
Fax: (450) 979-4626  
[www.exmweb.com](http://www.exmweb.com)

Flatness  
Aplatissement  
Max 3.0mm

Projection

Customer Client

Date

Drawn By  
Dessiné Par BoxCad: BoxCad

Date 25-Mar-16

Material  
Matière 12 Ga Stainless Steel 304 (2.5mm)

Color  
Couleur Asa-61 Grey

Finish  
Fini Smooth

Description  
5500UFDSS 72" x 73" Lock Door

Detail Rev.

Part Number  
Numéro Pièce  
**5500UFDSS727318LD**

Rev. 3

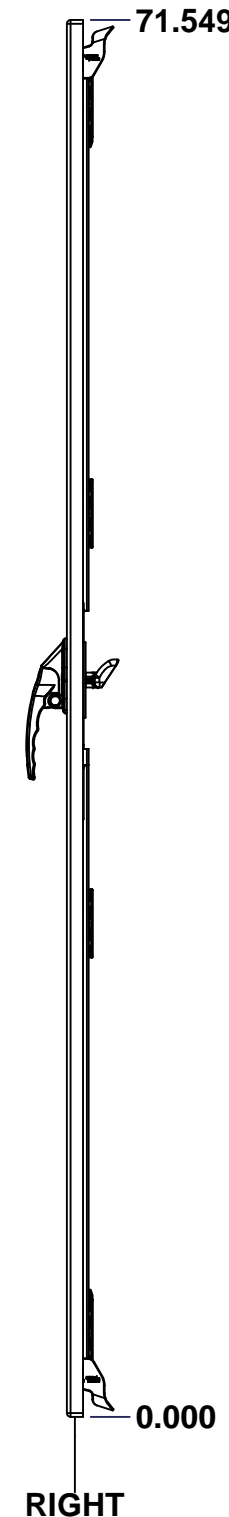
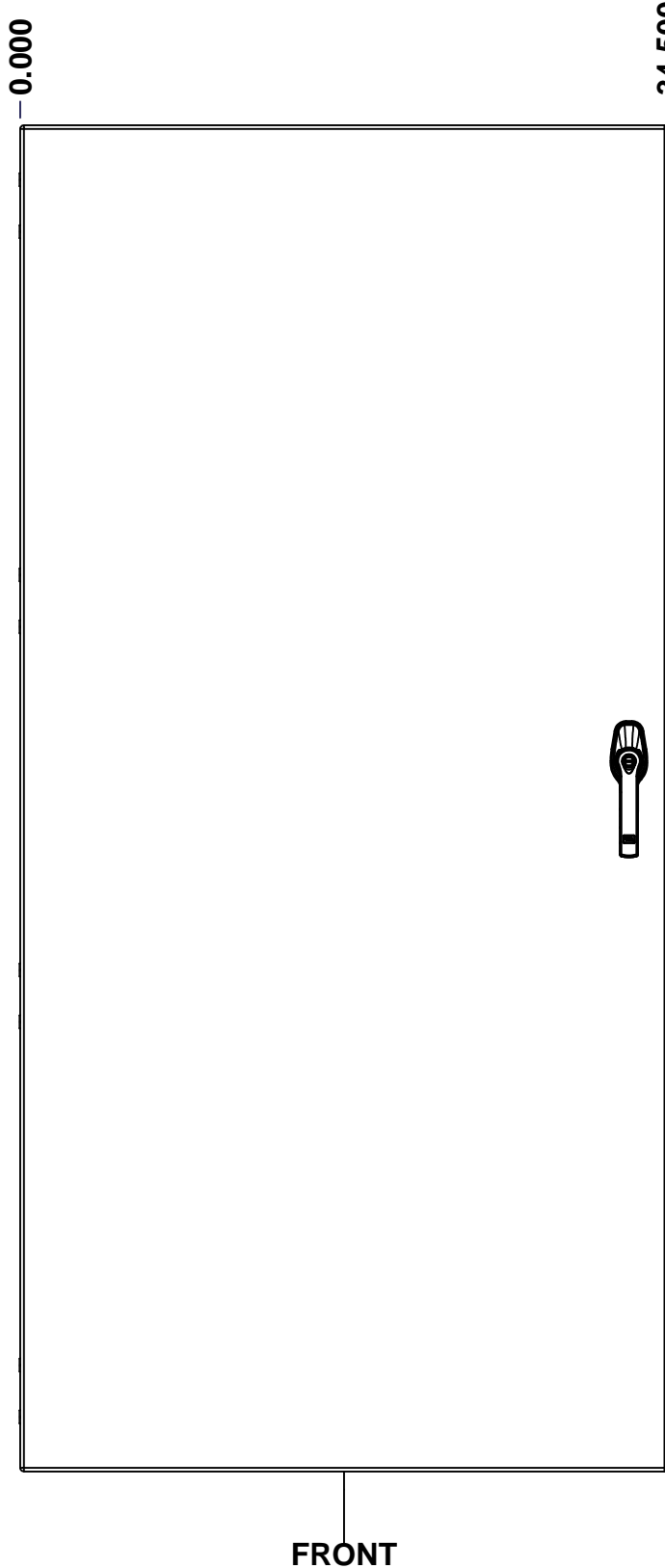
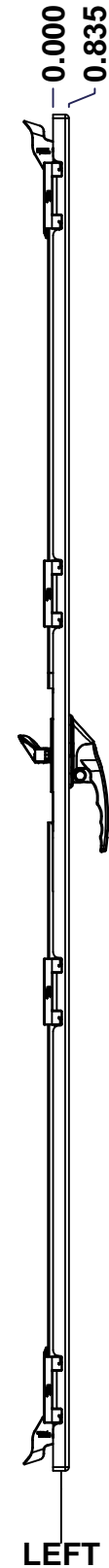
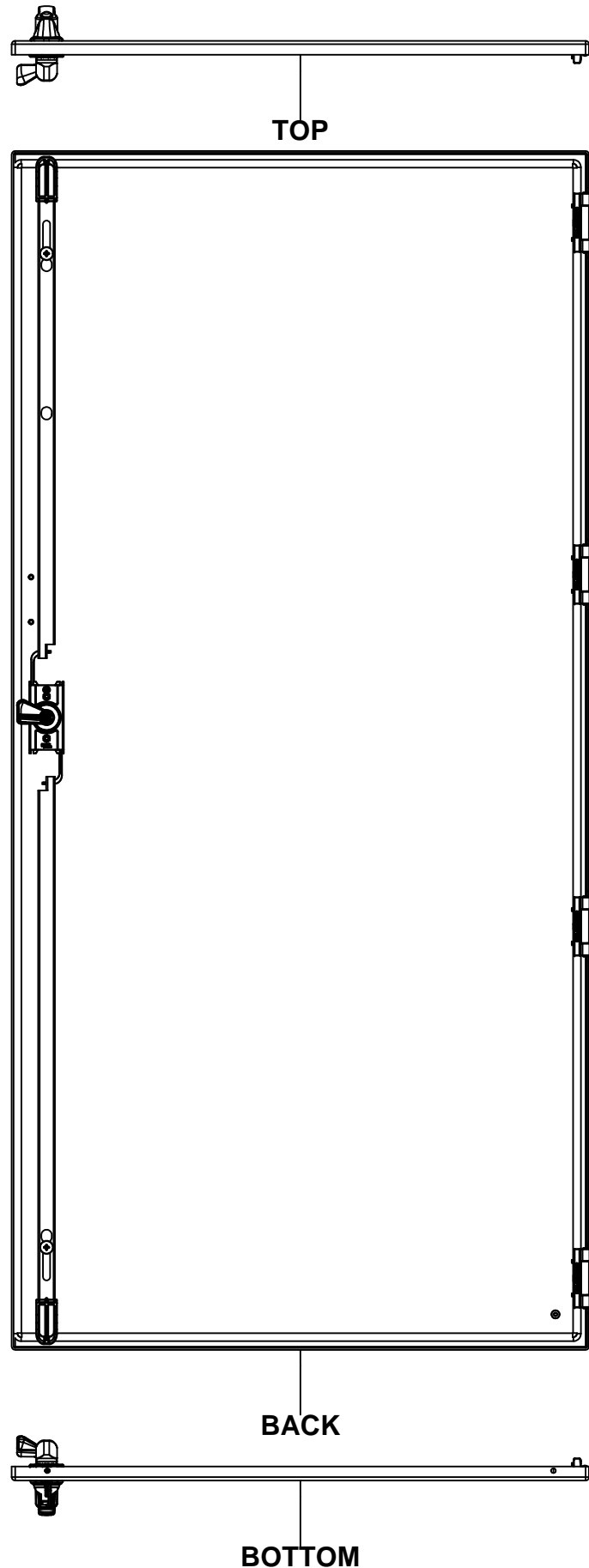
**0**

3

Parts List

This drawing is confidential and must not be reproduced or used without the consent of EXM

Ce dessin est confidentiel et ne doit pas être reproduit ou utilisé sans le consentement de EXM



No.	Revisions	Date	By/Par

Isometric View

<p>Tél: (450) 979-4373 Fax: (450) 979-4626 <a href="http://www.exmweb.com">www.exmweb.com</a></p>		Flatness Aplatissement	
		Max 3.0mm	
Customer Client		Projection	
Date			
Drawn By Dessiné Par	BoxCad: BoxCad	Date	25-Mar-16
Material Matière	12 Ga Stainless Steel 304 (2.5mm)		
Color Couleur	Asa-61 Grey	Finish Fini	Smooth
Description		Detail Rev.	
5500UFDSS 72" x 73" Lock Door			
Part Number Numéro Pièce	Rev.	1	3
SEE BILL OF MATERIAL ON LAST PAGE		0	

SEE BILL OF MATERIAL ON LAST PAGE

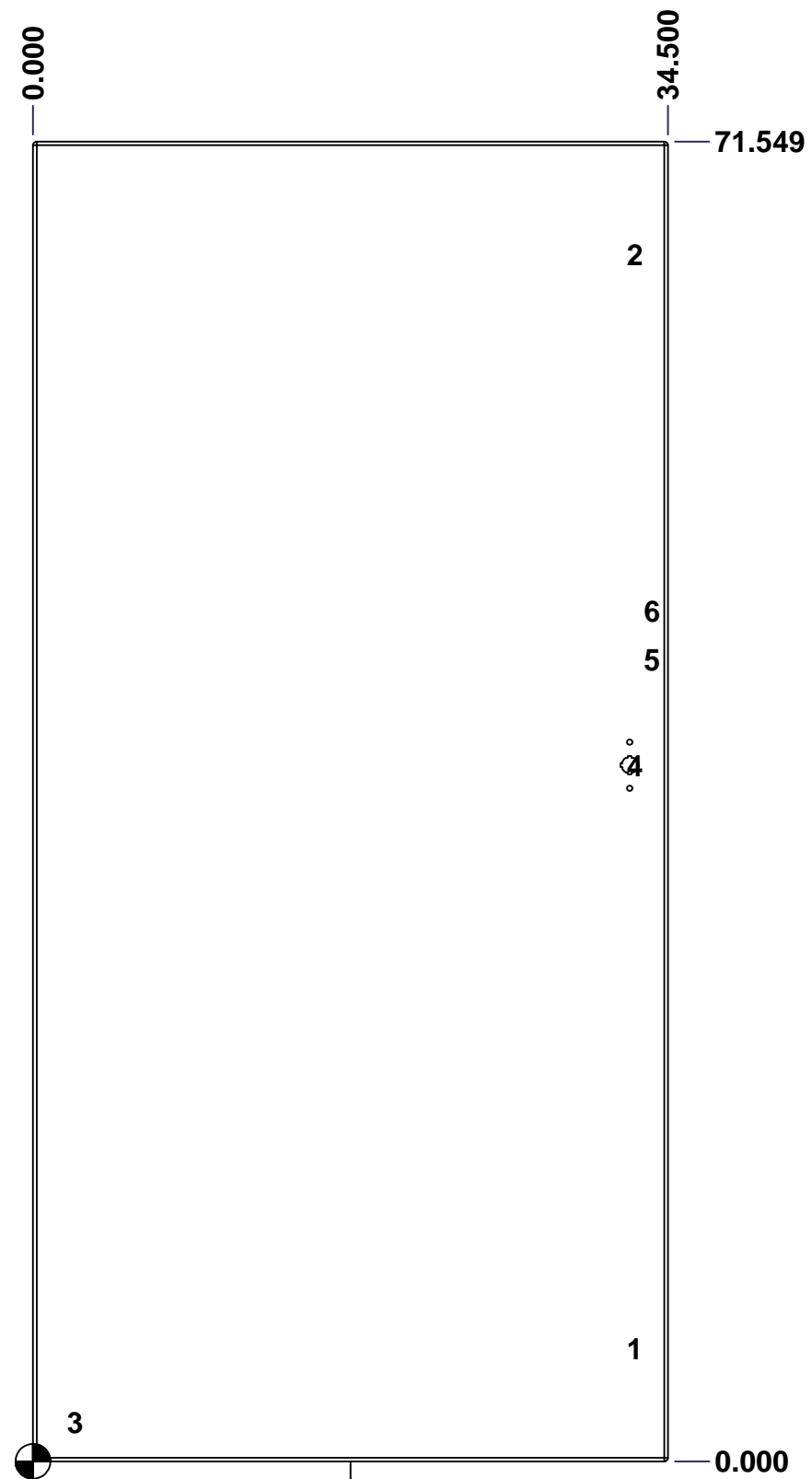
**5500UFDSS727318FD**



This drawing is confidential and must not be reproduced or used without the consent of EXM

Ce dessin est confidentiel et ne doit pas être reproduit ou utilisé sans le consentement de EXM

STANDARD FEATURES ARE NOT LISTED IN THIS HOLE TABLE			
HOLE TABLE - FRONT VIEW (CUSTOM FEATURE ONLY)			
CUT-OUT	XDIM	YDIM	DESCRIPTION
1	32.419	6.118	CLOSING BAR GUIDE (Inside)
2	32.419	65.430	CLOSING BAR GUIDE (Inside)
-----	-----	-----	-----
3	2.000	2.118	GND STUD M6 x 16mm (Inside)
4	32.419	37.743	HANDLE 885 ESL2A-APHDSS @ 0.0°
5	33.347	43.445	STUDS M6 x 18mm (Inside)
6	33.347	46.123	STUDS M6 x 18mm (Inside)



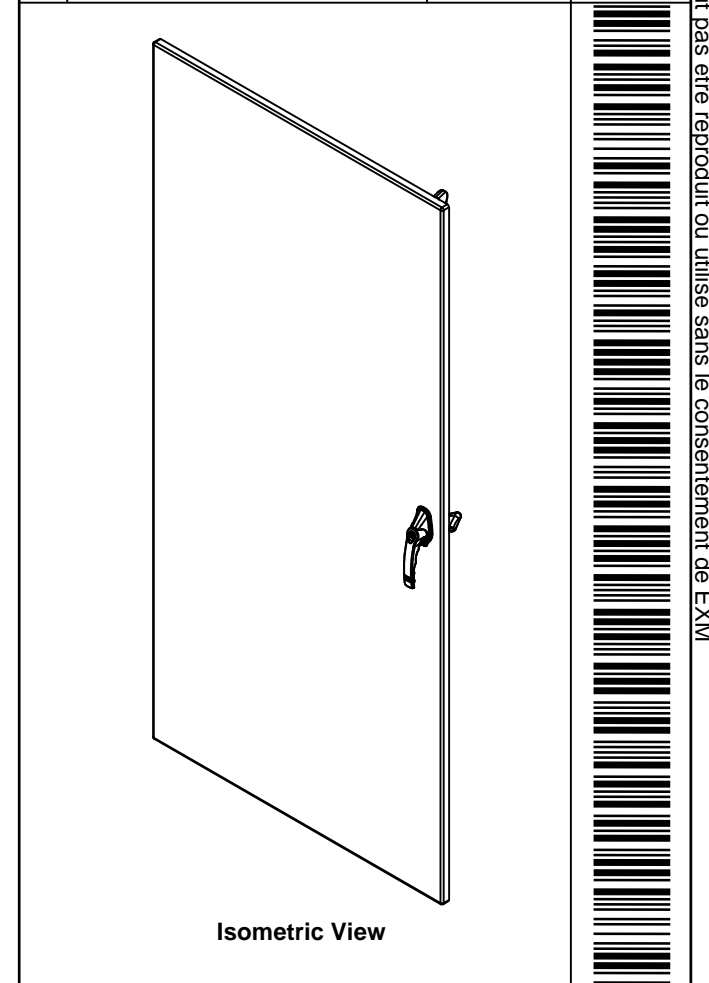
FRONT

	Description	Status	
	5500UFDSS 72" x 73" Lock Door	(NULL)	
	Part Number Numéro Pièce	Rev.	
	<b>5500UFDSS727318FD</b>	<b>0</b>	2 / 3


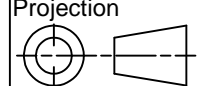
This drawing is confidential and must not be reproduced or used without the consent of EXM

Ce dessin est confidentiel et ne doit pas être reproduit ou utilisé sans le consentement de EXM

No.	Revisions	Date	By/Par



Qty	Part Name	Rev	Description
1	5500UFDSS727318CB	0	5500UFDSS 72" Closing Bar
1	5500UFDSS727318CB2E SY	0	5500UFDSS 72" Disconnect Closing Bar
1	STK-A-03880-36	12	Gearbox Clockwise Assembly (Grip 36mm)
1	885ESL-APHDSS	1	885 ESL2A-APHDSS - Stainless Steel L-Handle Padlockable Assy - Slot Cylinder
1	5500UFDSS727318FDG	0	5500UFDSS 72" x 73" Flange Door Gasket
1	STK-Q-16085	0	Ground Stud M6 x 16mm Stainless Steel
1	STK-P-02400S	0	Powder Paint (Asa-61 Grey / Smooth)
4	STK-Q-16070	1	Stud M6 x 18mm Stainless Steel
1	5500UFDSS727318FD-P	0	5500UFDSS 72" x 73" Lock Door Part
4	STK-K-09870	7	Cabinet Hinge with Captive Pins

 Tél: (450) 979-4373 Fax: (450) 979-4626 <a href="http://www.exmweb.com">www.exmweb.com</a>		Flatness Aplatissement Max 3.0mm Projection 
Customer Client	Date	
Drawn By Dessiné Par	BoxCad: BoxCad	Date 25-Mar-16
Material Matière	12 Ga Stainless Steel 304 (2.5mm)	
Color Couleur	Asa-61 Grey	Finish Fini Smooth
Description	Detail Rev.	
5500UFDSS 72" x 73" Lock Door		
Part Number Numéro Pièce	Rev. 0	3
<b>5500UFDSS727318FD</b>		<b>3</b>

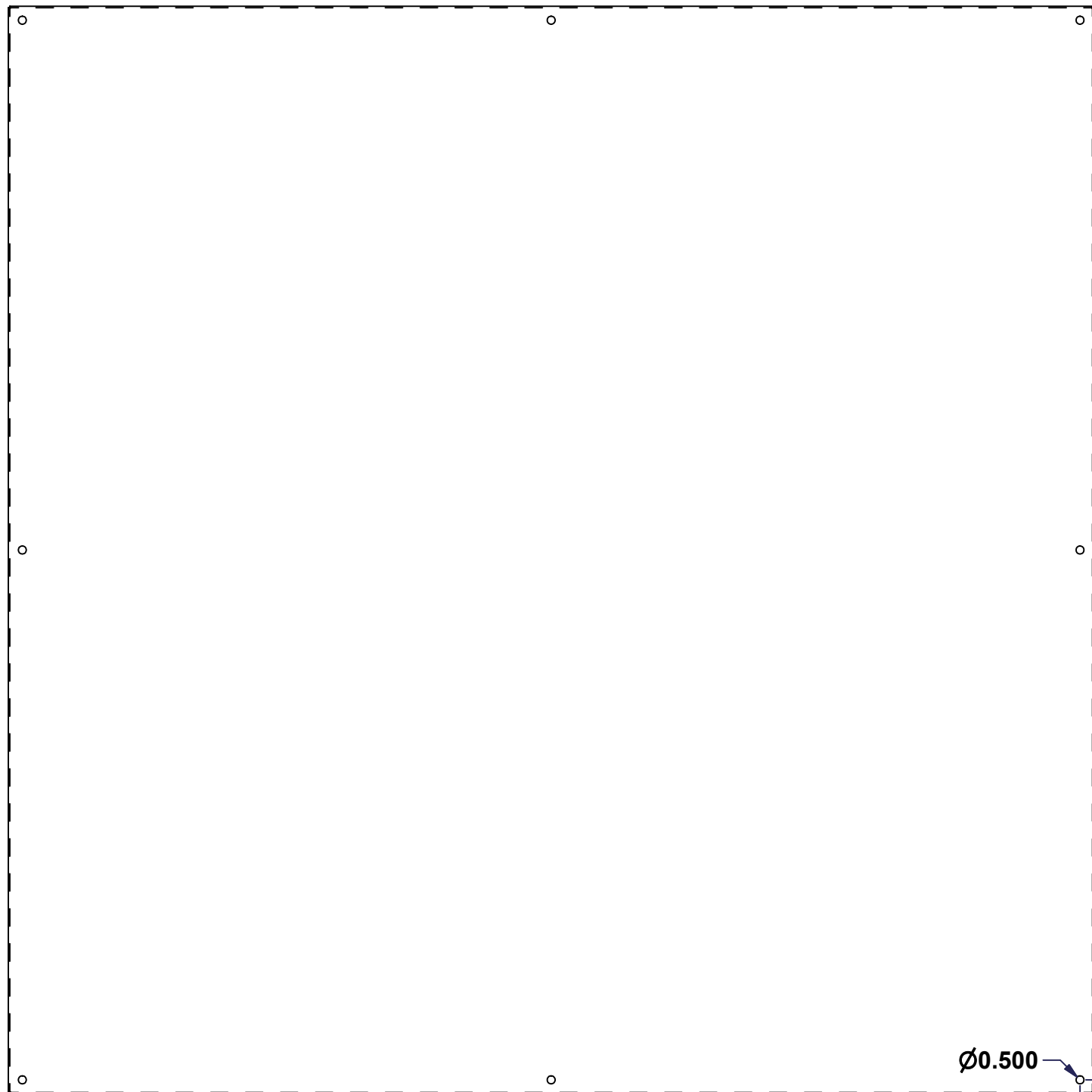
Parts List

This drawing is confidential and must not be reproduced or used without the consent of EXM

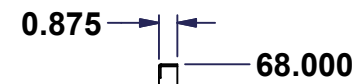
Ce dessin est confidentiel et ne doit pas être reproduit ou utilisé sans le consentement de EXM



TOP



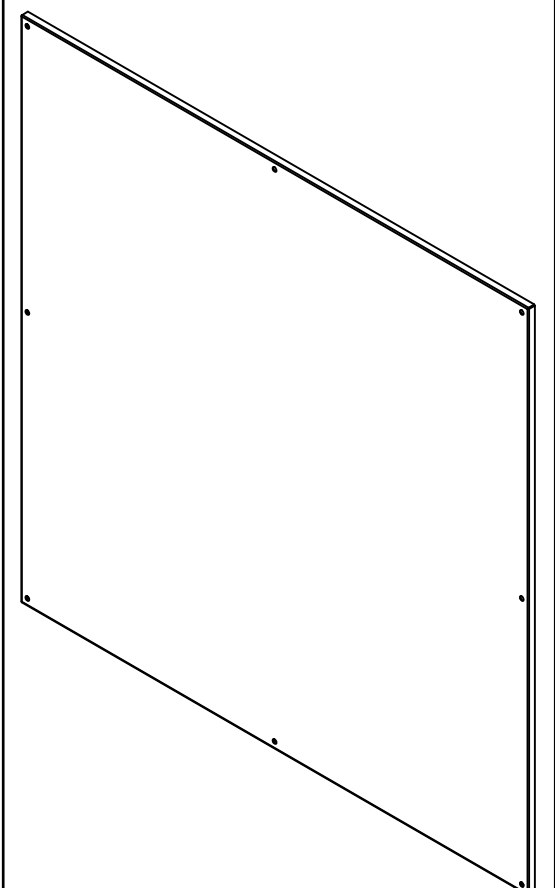
FRONT



RIGHT


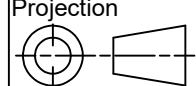
SEE BILL OF MATERIAL ON LAST PAGE

No.	Revisions	Date	By/Par



Isometric View

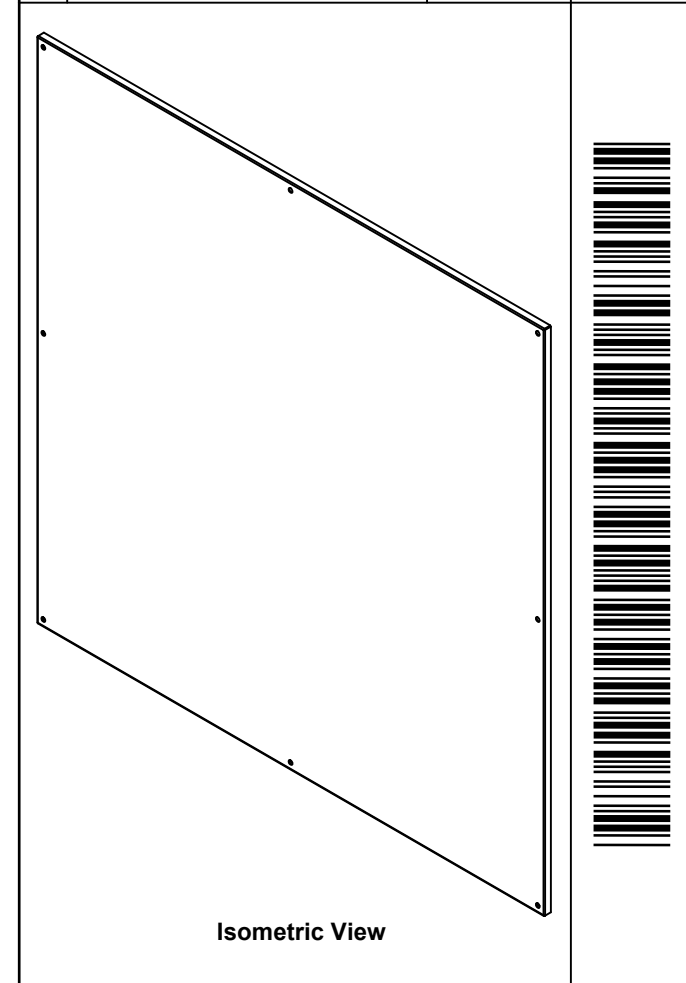



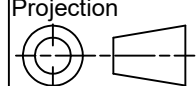
 Tél: (450) 979-4373 Fax: (450) 979-4626 www.exmweb.com		Flatness Aplatissement Max 3.0mm Projection 
Customer Client	Date	
Drawn By Dessiné Par	BoxCad	Date 04/11/2009
Material Matière	12 Ga Galvanized (2.5mm)	
Color Couleur	Unpainted	Finish Fini Unpainted
Description	Detail Rev.	
885 SP7272G Inner Panel		
Part Number Numéro Pièce	Rev.	1
<b>885SP7272G</b>	<b>0</b>	2

This drawing is confidential and must not be reproduced or used without the consent of EXM

Ce dessin est confidentiel et ne doit pas être reproduit ou utilisé sans le consentement de EXM

No.	Revisions	Date	By/Par



 Tél: (450) 979-4373 Fax: (450) 979-4626 www.exmweb.com	Flatness Aplatissement Max 3.0mm
	Projection 
Customer Client	Date
Drawn By Dessiné Par BoxCad	Date 04/11/2009
Material Matière 12 Ga Galvanized (2.5mm)	
Color Couleur Unpainted	Finish Fini Unpainted
Description 885 SP7272G Inner Panel	Detail Rev.
Part Number Numéro Pièce <b>885SP7272G</b>	Rev. 2 <b>0</b>

Qty	Part Number	Rev	Description
1	885SP7272G-P	0	885 SP7272G Inner Panel Part
Parts List			