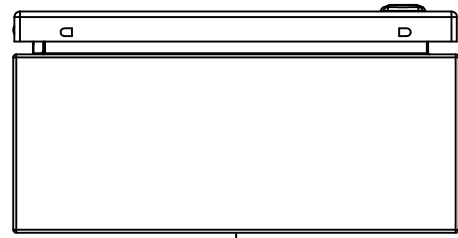
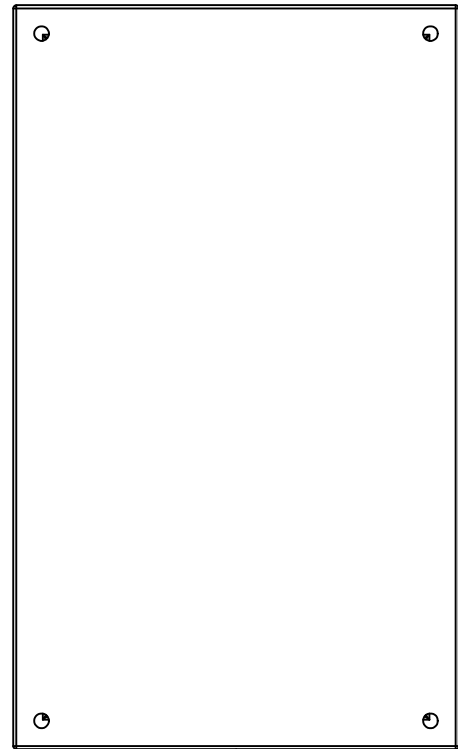


This drawing is confidential and must not be reproduced or used without the consent of EXM

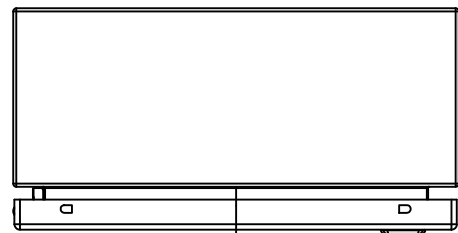
Ce dessin est confidentiel et ne doit pas être reproduit ou utilisé sans le consentement de EXM



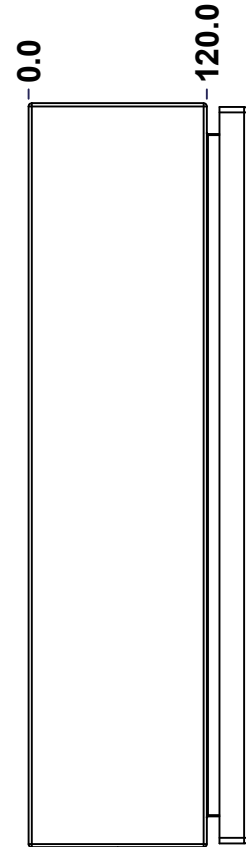
TOP



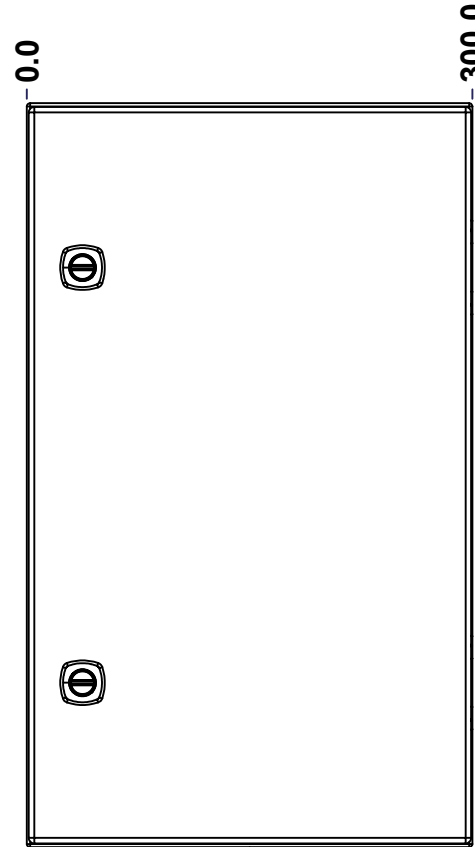
BACK



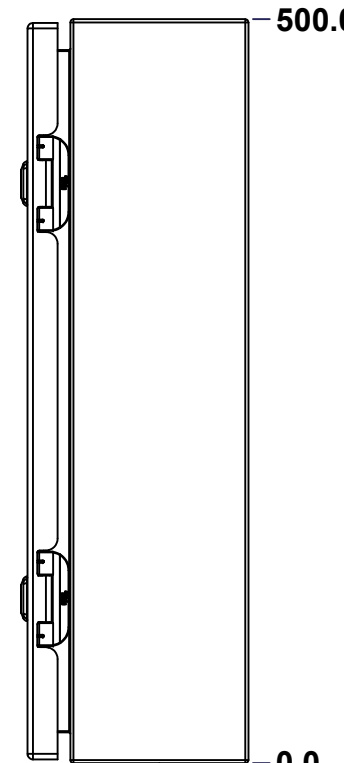
BOTTOM



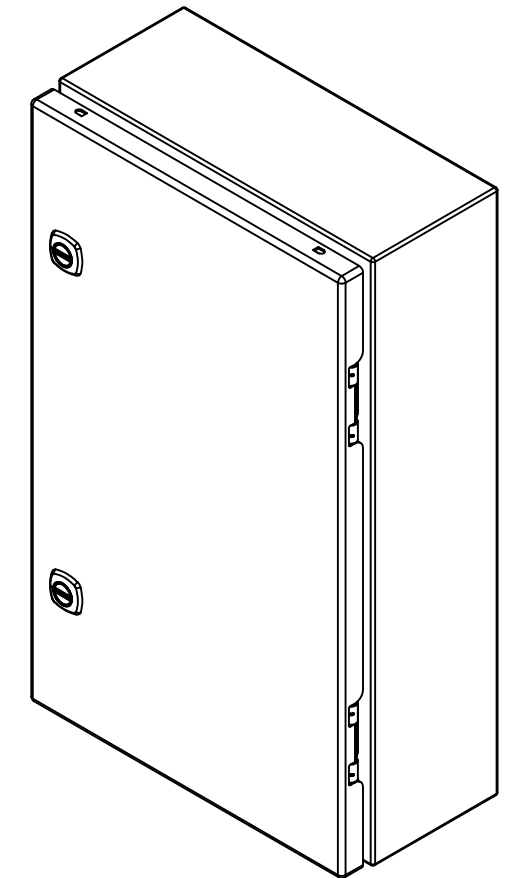
LEFT



FRONT




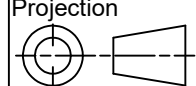
RIGHT



Isometric View



| No. | Revisions | Date | By/Par |
|-----|-----------|------|--------|
| | | | |
| | | | |
| | | | |
| | | | |

| | | |
|--|---------------------------|---|
|  Tél: (450) 979-4373 Fax: (450) 979-4626 www.exmweb.com | | Flatness Aplatissement Max 3.0mm Projection  |
| Customer Client | Date | |
| Drawn By Dessiné Par | BoxCad: BoxCad | Date 13-Aug-14 |
| Material Matière | 16 Ga H.R.P. & O. (1.4mm) | |
| Color Couleur | Light Grey RAL7035 | Finish Fini |
| Description | | Detail Rev. |
| 6412ES 500mm x 300mm x 120mm Assembly | | |
| Part Number Numéro Pièce | Rev. | |
| 6412ES030515 | 0 | 1 2 |

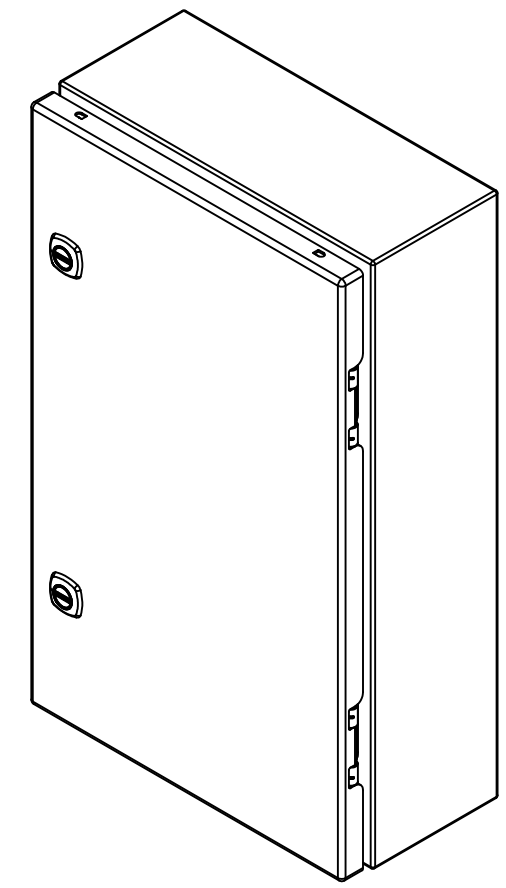
SEE BILL OF MATERIAL ON LAST PAGE

This drawing is confidential and must not be reproduced or used without the consent of EXM

Ce dessin est confidentiel et ne doit pas être reproduit ou utilisé sans le consentement de EXM

| NOTE | |
|------|--|
| ITEM | DESCRIPTION |
| 1 | NEMA 4/12 Enclosure |
| 2 | C/W Standard ground studs on box and cover |
| 3 | C/W Standard door stiffener |
| 4 | C/W Standard inner panel (Included) |
| 5 | C/W Standard inner panel mounting studs |

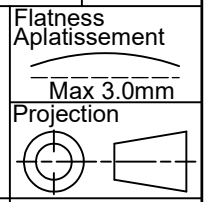
| No. | Revisions | Date | By/Par |
|-----|-----------|------|--------|
| | | | |
| | | | |
| | | | |
| | | | |
| | | | |
| | | | |



Isometric View



Tél: (450) 979-4373
 Fax: (450) 979-4626
www.exmweb.com



| | |
|---|--|
| Customer Client | Date |
| Drawn By / Dessiné Par: BoxCad: BoxCad | Date: 13-Aug-14 |
| Material / Matière: 16 Ga H.R.P. & O. (1.4mm) | Color / Couleur: Light Grey RAL7035 |
| Finish / Fini: Rough Textured | Description: 6412ES 500mm x 300mm x 120mm Assembly |
| Part Number / Numéro Pièce: 6412ES030515 | Detail Rev. / Rev. 2 |

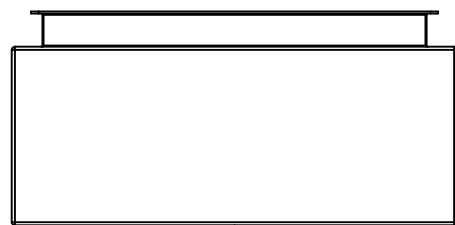
| PACKING | | |
|-----------------------|-----|--|
| ITEM | QTY | DESCRIPTION |
| Cardboard sleeve | 2 | Top and Bottom |
| Cardboard strip | 2 | Between back of enclosure and inner panel |
| Plastic bag | 1 | To protect cover surface and inside gasket |
| Plastic strap - Black | 2 | To Squeeze the 2 cardboard sleeve together |
| Packaging label | 1 | White label with product number |

| Qty | Part Number | Rev | Description |
|------------|----------------|-----|--|
| 1 | STK-K-01800 | 5 | 5412 ES Accessory Kit |
| 1 | 886 SP0305ES | 0 | 886 SP - Inner Panel |
| 1 | 6412ES030515C | 0 | 6412ES 500mm x 300mm Cover |
| 4 | STK-Q-07310 | 2 | Flange Lock Nut M8 |
| 4 | STK-Q-07610 | 8 | M8 Plastic Spacer 22.2mm |
| 1 | 6412ES030515B | 0 | 6412ES 500mm x 300mm x 120mm Body |
| 2 | STK-Q-04050-07 | 7 | M6 x 7mm Hexagon Socket Head Machine Screw with Nyseal |
| Parts List | | | |

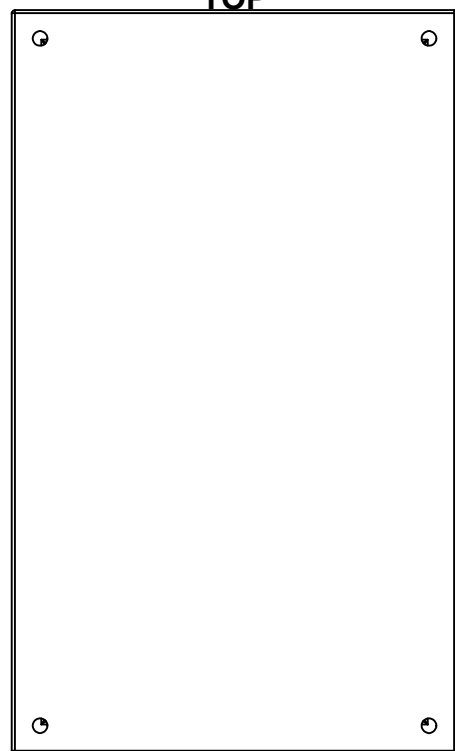
| | |
|--|---------------|
| Part Number / Numéro Pièce: 6412ES030515 | Rev. / Rev. 2 |
| | |

This drawing is confidential and must not be reproduced or used without the consent of EXM

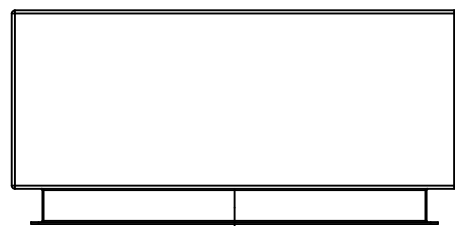
Ce dessin est confidentiel et ne doit pas être reproduit ou utilisé sans le consentement de EXM



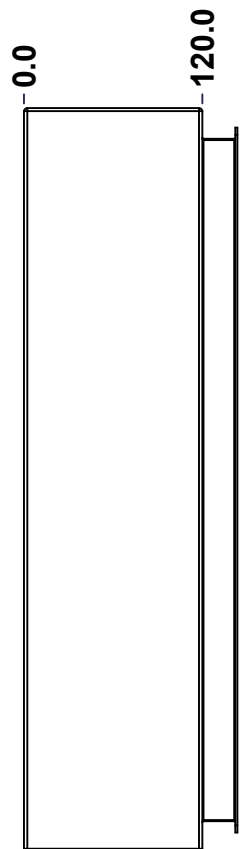
TOP



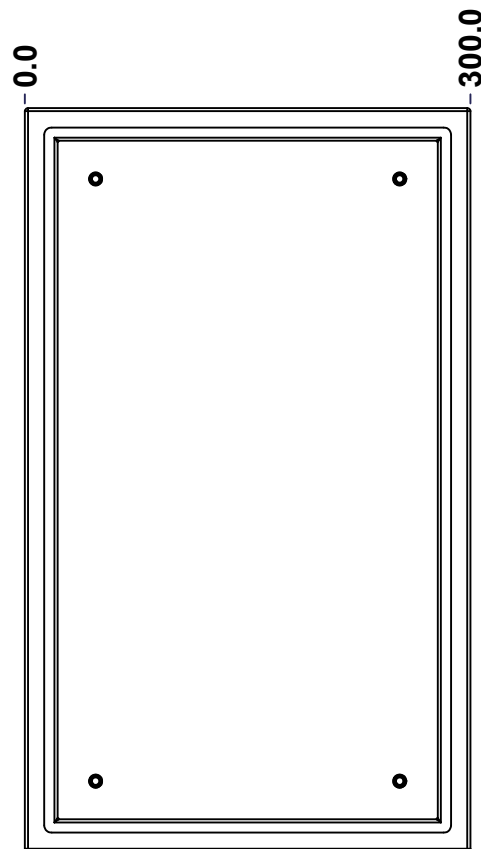
BACK



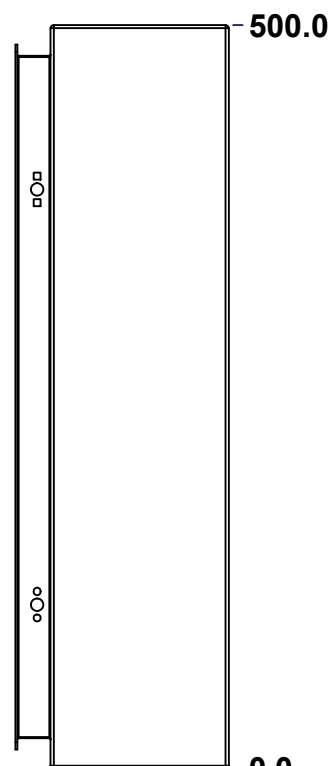
BOTTOM



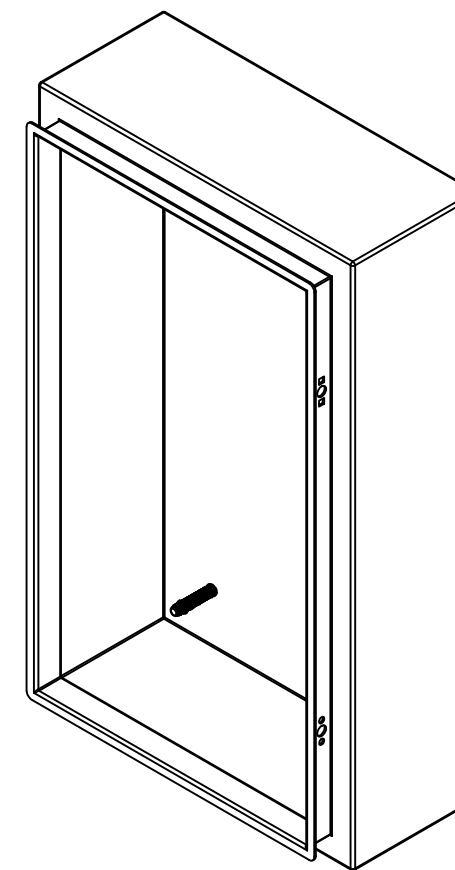
LEFT



FRONT




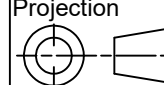
RIGHT



Isometric View



| No. | Revisions | Date | By/Par |
|-----|-----------|------|--------|
| | | | |
| | | | |
| | | | |
| | | | |

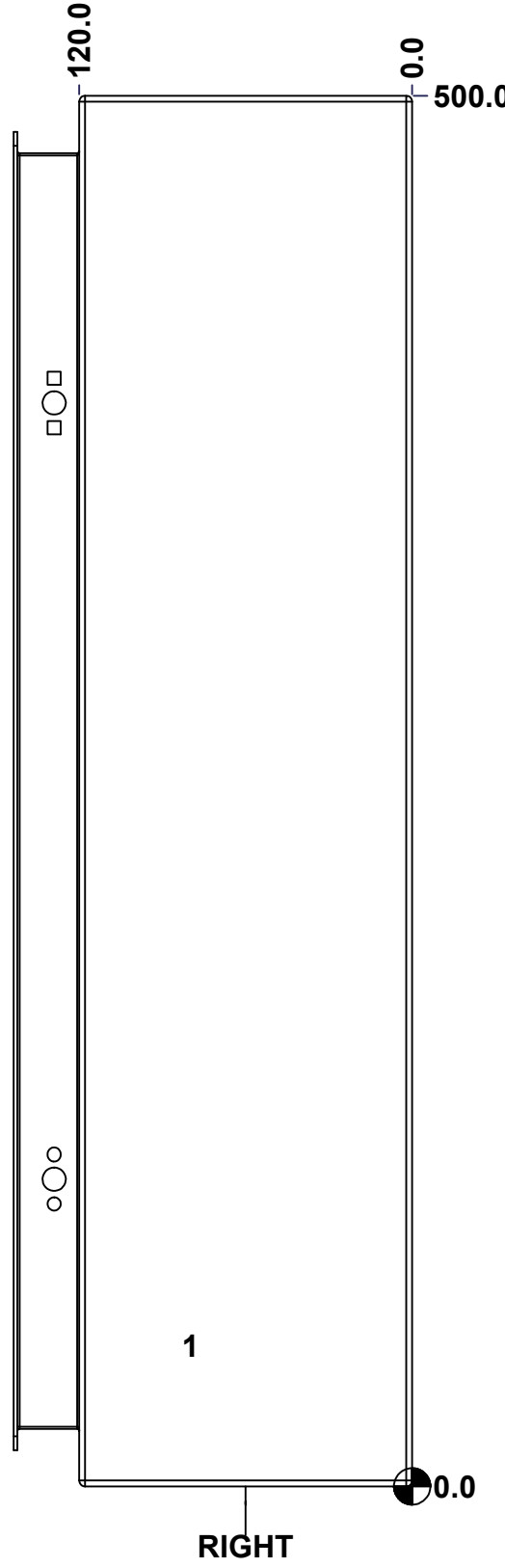
| | | |
|--|-------------------------------|---|
|  Tél: (450) 979-4373 Fax: (450) 979-4626 www.exmweb.com | | Flatness Aplatissement Max 3.0mm Projection  |
| Customer Client | Date | |
| Drawn By / Dessiné Par: BoxCad: BoxCad | Date: 13-Aug-14 | |
| Material / Matière: 16 Ga H.R.P. & O. (1.4mm) | | |
| Color / Couleur: Light Grey RAL7035 | Finish / Fini: Rough Textured | |
| Description: 6412ES 500mm x 300mm x 120mm Body | | Detail Rev.: |
| Part Number / Numéro Pièce: 6412ES030515B | Rev.: | 1 / 7 |

SEE BILL OF MATERIAL ON LAST PAGE

This drawing is confidential and must not be reproduced or used without the consent of EXM

Ce dessin est confidentiel et ne doit pas être reproduit ou utilisé sans le consentement de EXM

| STANDARD FEATURES ARE NOT LISTED IN THIS HOLE TABLE | | | |
|--|------|------|-----------------------------|
| HOLE TABLE - RIGHT VIEW (CUSTOM FEATURE ONLY) | | | |
| CUT-OUT | XDIM | YDIM | DESCRIPTION |
| 1 | 81.9 | 50.8 | GND STUD M6 x 16mm (Inside) |



| | | | |
|--|-----------------------------------|---|----------|
| | Description | | Status |
| | 6412ES 500mm x 300mm x 120mm Body | | |
| | Part Number Numéro Pièce | | Rev. |
| | 6412ES030515B | | 0 |
| | | 3 | 7 |

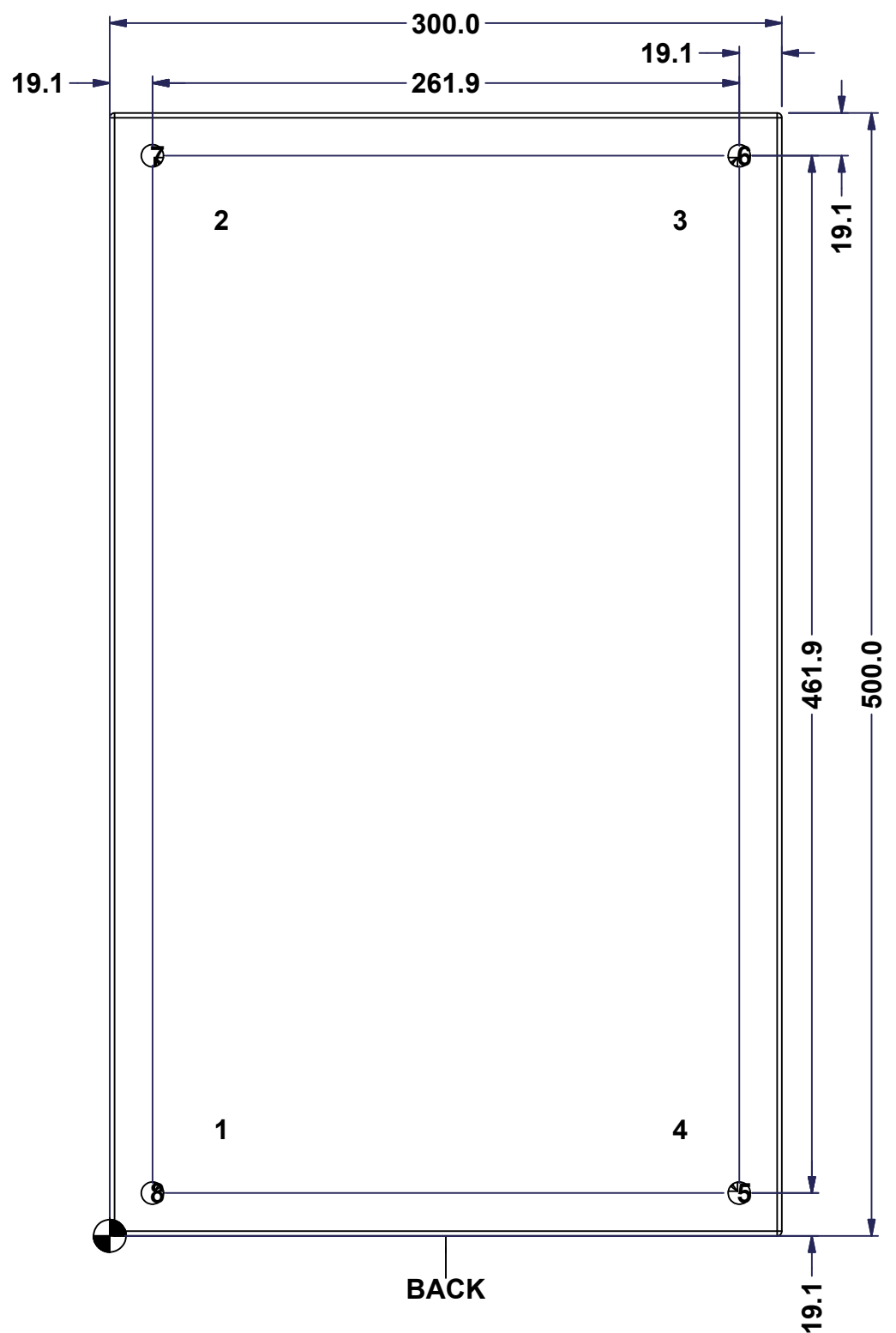
This drawing is confidential and must not be reproduced or used without the consent of EXM

Ce dessin est confidentiel et ne doit pas être reproduit ou utilisé sans le consentement de EXM

STANDARD FEATURES ARE NOT LISTED IN THIS HOLE TABLE

HOLE TABLE - BACK VIEW (CUSTOM FEATURE ONLY)

| CUT-OUT | XDIM | YDIM | DESCRIPTION |
|---------|-------|-------|----------------------------|
| 1 | 47.6 | 47.6 | IP STUD M8 x 35mm (Inside) |
| 2 | 47.6 | 452.4 | IP STUD M8 x 35mm (Inside) |
| 3 | 252.4 | 452.4 | IP STUD M8 x 35mm (Inside) |
| 4 | 252.4 | 47.6 | IP STUD M8 x 35mm (Inside) |
| ----- | | | |
| 5 | 280.9 | 19.1 | RND Ø9.9 |
| 6 | 280.9 | 480.9 | RND Ø9.9 |
| 7 | 19.1 | 480.9 | RND Ø9.9 |
| 8 | 19.1 | 19.1 | RND Ø9.9 |

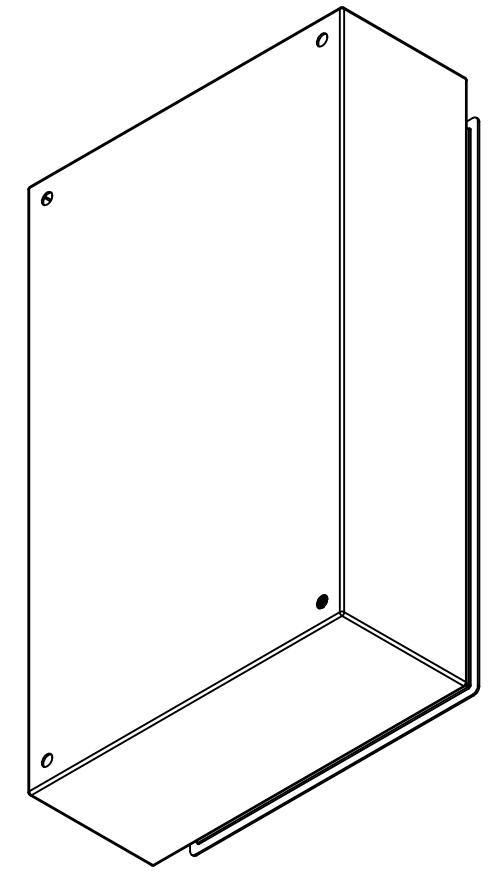


| | | |
|--|---|--------------------|
| | Description 6412ES 500mm x 300mm x 120mm Body | Status |
| | Part Number Numéro Pièce 6412ES030515B | Rev. 6 0 |

This drawing is confidential and must not be reproduced or used without the consent of EXM


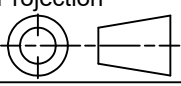
Ce dessin est confidentiel et ne doit pas être reproduit ou utilisé sans le consentement de EXM

| No. | Revisions | Date | By/Par |
|-----|-----------|------|--------|
| | | | |
| | | | |
| | | | |
| | | | |
| | | | |



Isometric View

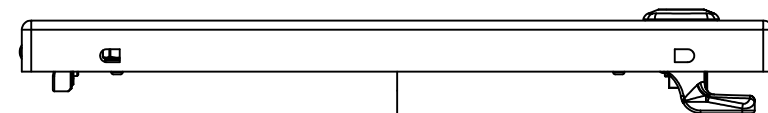


| | | |
|--|---------------------------|---|
|  Tél: (450) 979-4373 Fax: (450) 979-4626 www.exmweb.com | | Flatness Aplatissement Max 3.0mm Projection  |
| Customer Client | Date | |
| Drawn By Dessiné Par | BoxCad: BoxCad | Date 13-Aug-14 |
| Material Matière | 16 Ga H.R.P. & O. (1.4mm) | |
| Color Couleur | Light Grey RAL7035 | Finish Fini |
| Description | | Detail Rev. |
| 6412ES 500mm x 300mm x 120mm Body | | |
| Part Number Numéro Pièce | Rev. | 7 |
| 6412ES030515B | 0 | 7 |

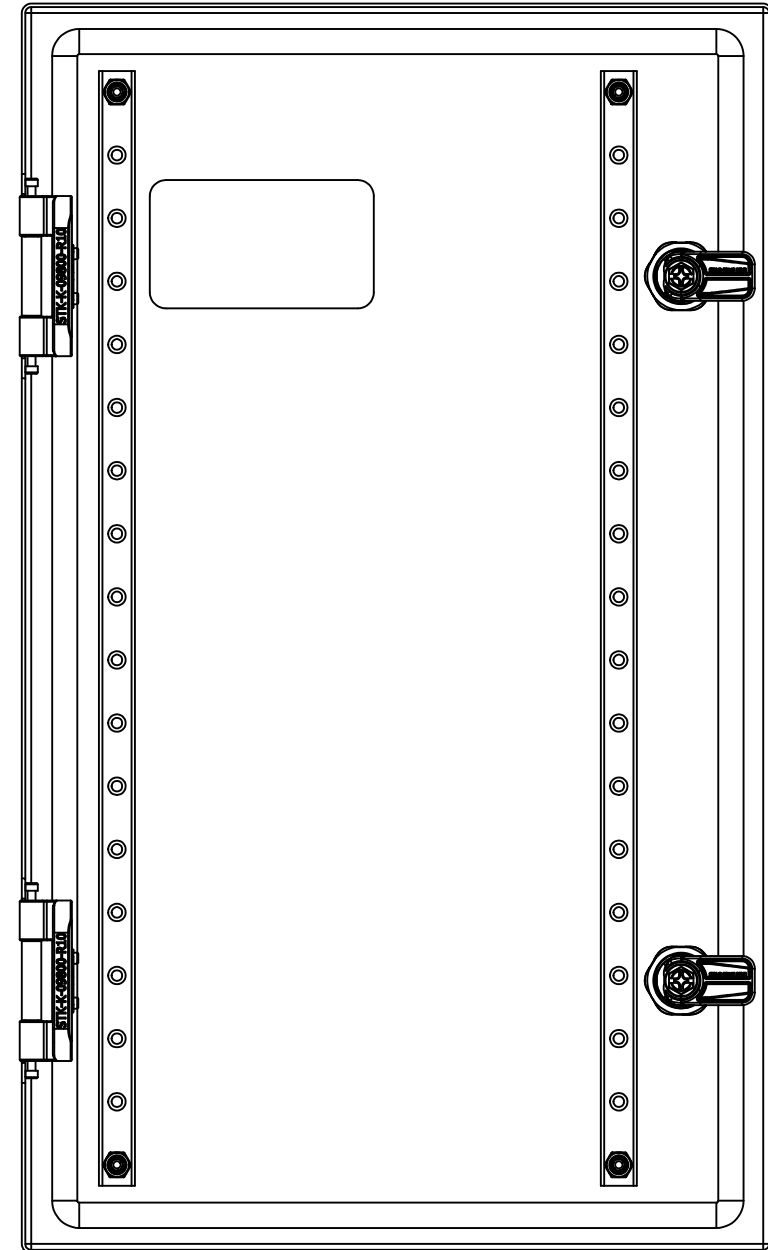
| Qty | Part Number | Rev | Description |
|------------|-----------------|-----|--|
| 1 | STK-Q-16080 | 0 | Ground Stud M6 x 16mm |
| 1 | STK-P-03820R | 0 | Powder Paint (Light Grey / Rough Textured) |
| 4 | STK-Q-16005 | 1 | Stud M8 x 35 (No Paint Cap Required) |
| 1 | 6412ES030515B-P | 0 | 6412ES 500mm x 300mm x 120mm Body Part |
| Parts List | | | |

This drawing is confidential and must not be reproduced or used without the consent of EXM

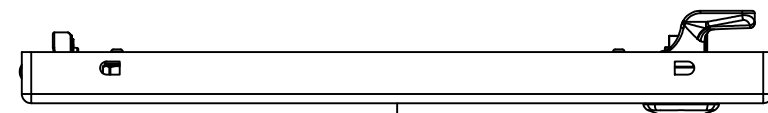
Ce dessin est confidentiel et ne doit pas être reproduit ou utilisé sans le consentement de EXM



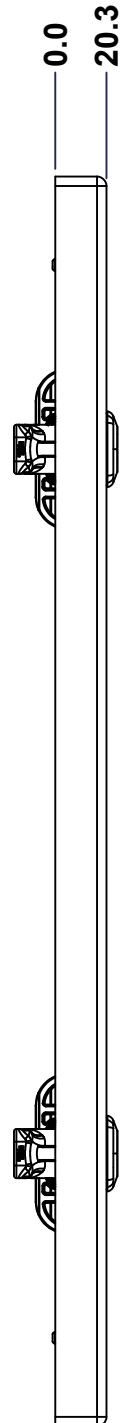
TOP



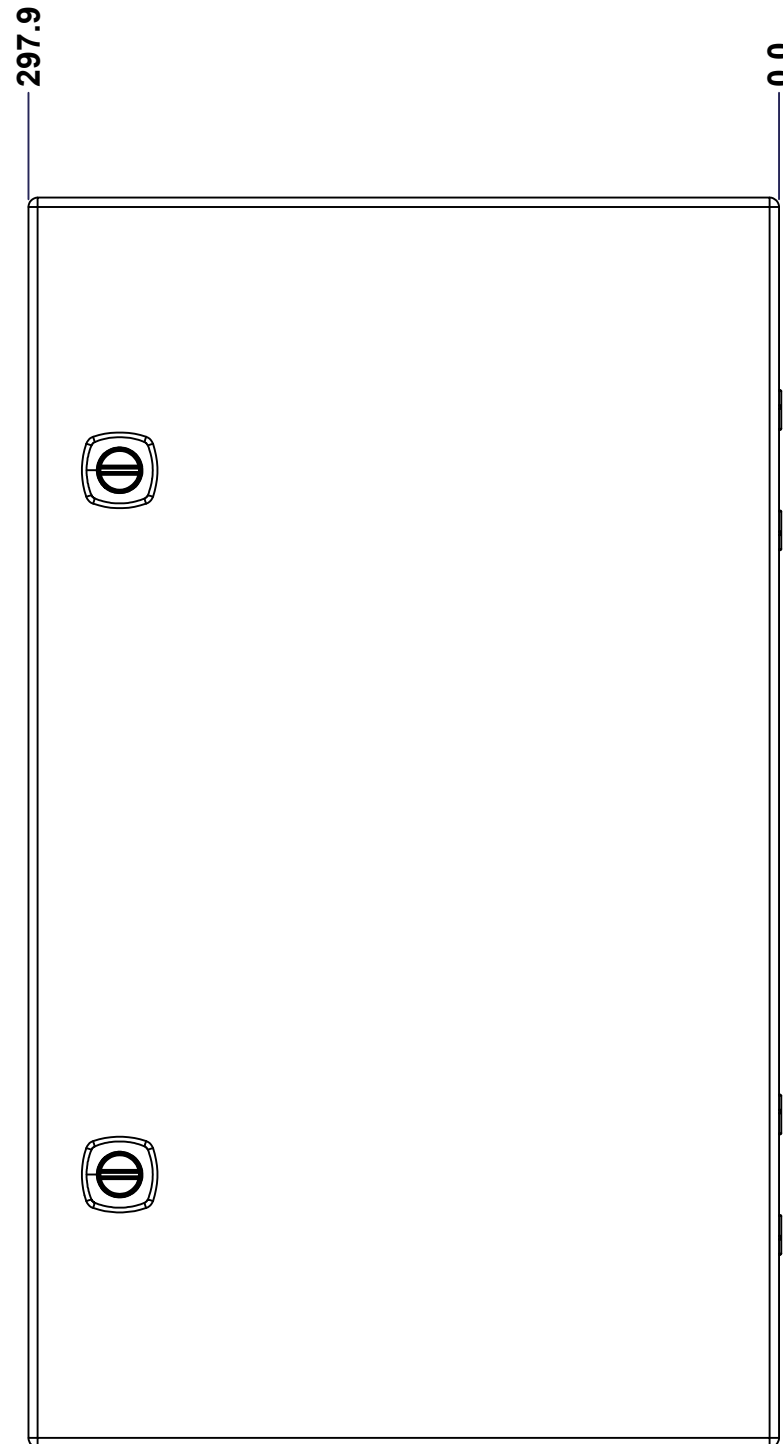
BACK



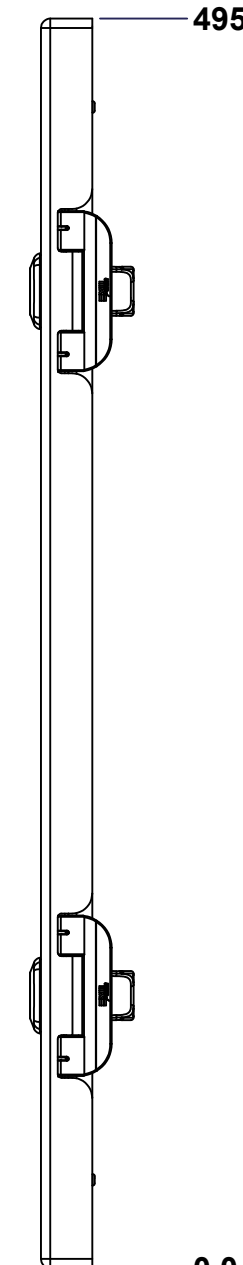
BOTTOM



LEFT

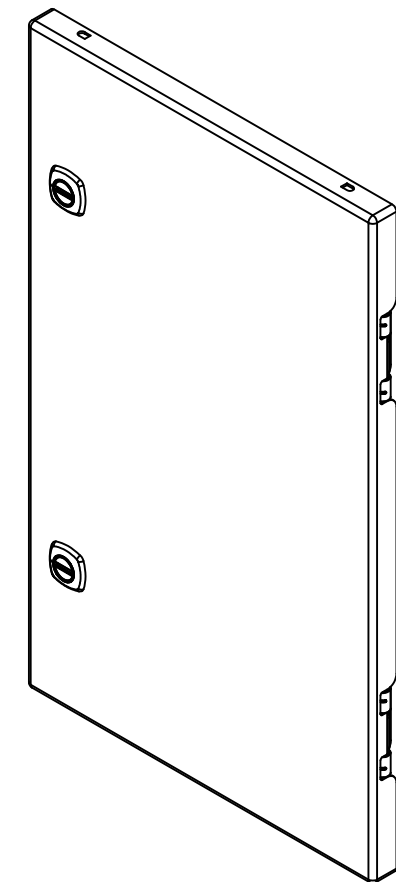


FRONT

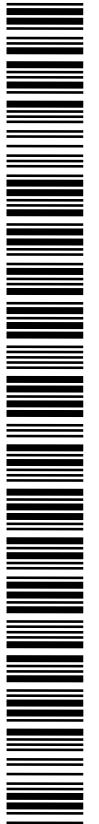


RIGHT

| No. | Revisions | Date | By/Par |
|-----|-----------|------|--------|
| | | | |
| | | | |
| | | | |
| | | | |
| | | | |



Isometric View

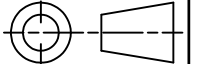


Tél: (450) 979-4373
 Fax: (450) 979-4626
www.exmweb.com

Flatness
Aplatissement

Max 3.0mm

Projection



| | |
|---|-------------------------------|
| Customer Client | Date |
| Drawn By / Dessiné Par: BoxCad: BoxCad | Date: 13-Aug-14 |
| Material / Matière: 16 Ga H.R.P. & O. (1.4mm) | |
| Color / Couleur: Light Grey RAL7035 | Finish / Fini: Rough Textured |
| Description: 6412ES 500mm x 300mm Cover | |
| Detail Rev. | |
| Part Number / Numéro Pièce: 6412ES030515C | Rev. 0 |
| | 1 / 3 |

SEE BILL OF MATERIAL ON LAST PAGE

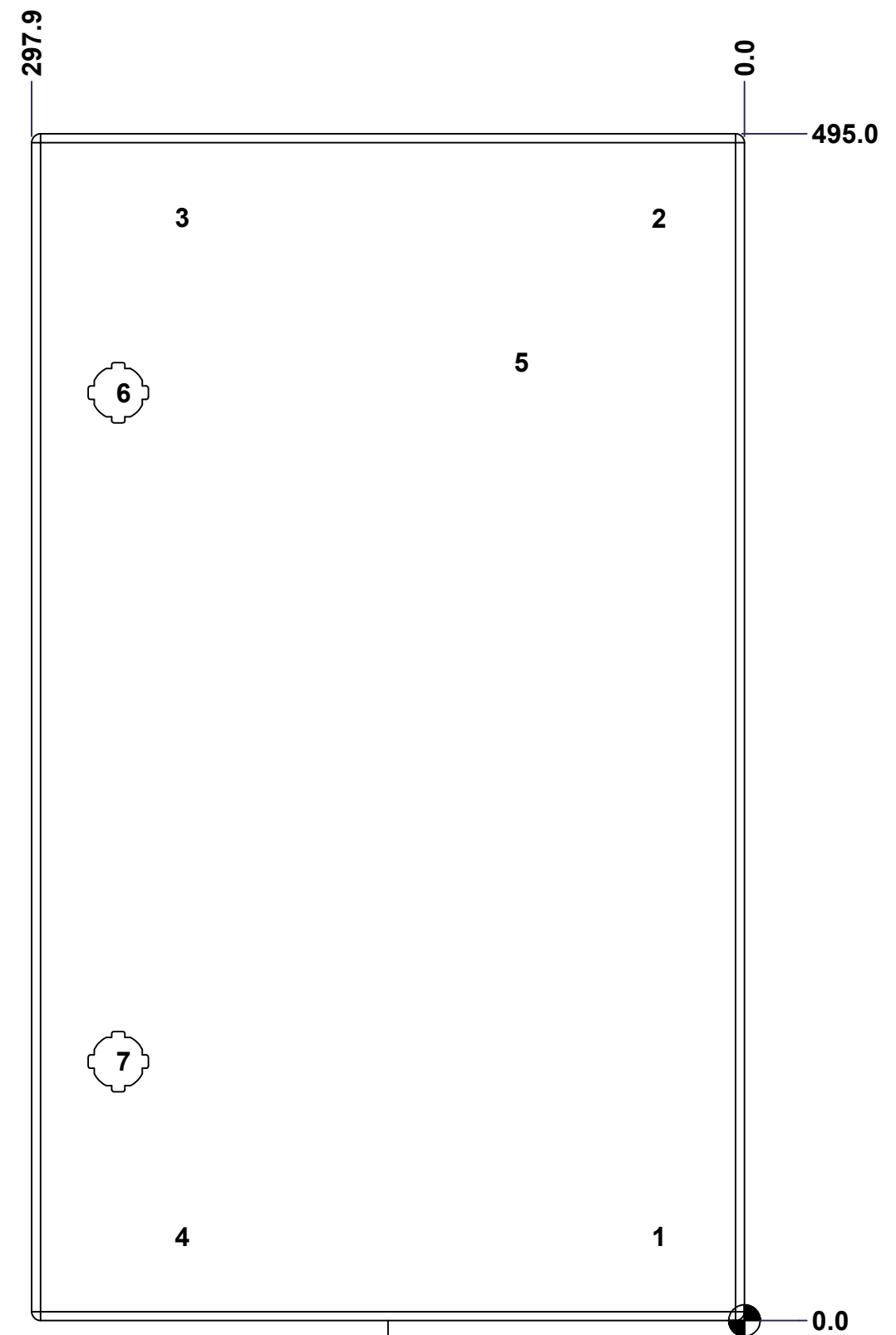
This drawing is confidential and must not be reproduced or used without the consent of EXM

Ce dessin est confidentiel et ne doit pas être reproduit ou utilisé sans le consentement de EXM

STANDARD FEATURES ARE NOT LISTED IN THIS HOLE TABLE

HOLE TABLE - FRONT VIEW (CUSTOM FEATURE ONLY)

| CUT-OUT | XDIM | YDIM | DESCRIPTION |
|---------|-------|-------|---------------------------|
| 1 | 37.7 | 35.0 | STUD M6 x 18mm (Inside) |
| 2 | 37.7 | 460.0 | STUD M6 x 18mm (Inside) |
| 3 | 236.9 | 460.0 | STUD M6 x 18mm (Inside) |
| 4 | 236.9 | 35.0 | STUD M6 x 18mm (Inside) |
| ----- | | | |
| 5 | 95.3 | 399.7 | LABEL_EXM (Inside) |
| 6 | 261.7 | 387.0 | LOCK 880 SCQ4-SL @ 180.0° |
| 7 | 261.7 | 108.0 | LOCK 880 SCQ4-SL @ 180.0° |



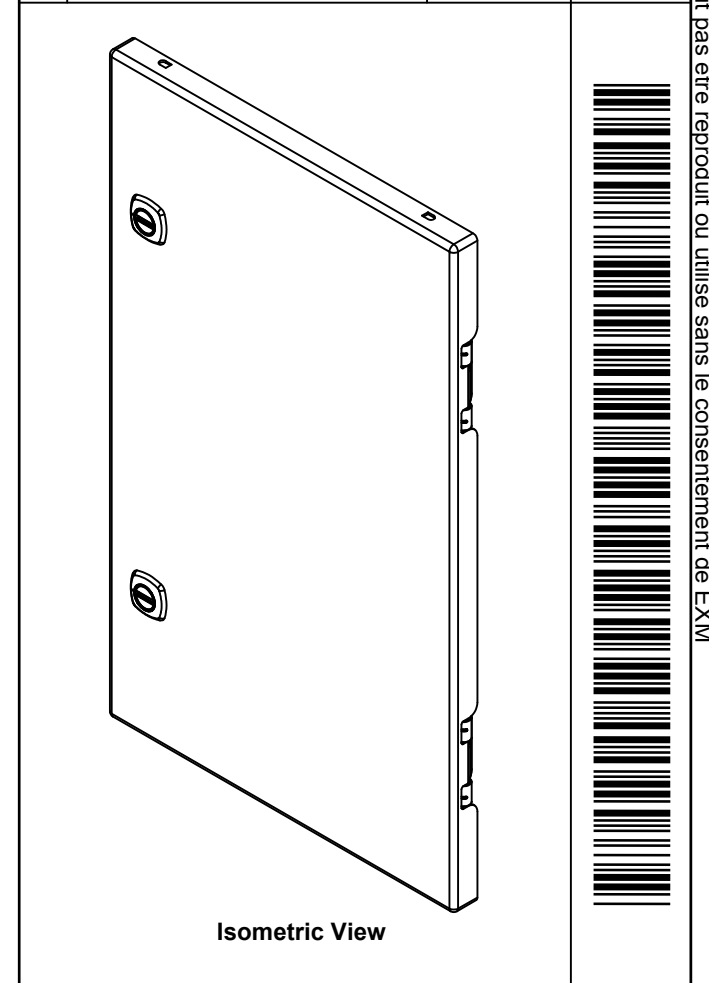
FRONT


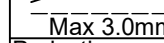
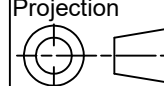
| | | | |
|--|-----------------------------|----------|--------|
| | Description | Status | |
| | 6412ES 500mm x 300mm Cover | (NULL) | |
| | Part Number Numéro Pièce | Rev. | |
| | 6412ES030515C | 0 | 2 3 |

This drawing is confidential and must not be reproduced or used without the consent of EXM

Ce dessin est confidentiel et ne doit pas être reproduit ou utilisé sans le consentement de EXM

| No. | Revisions | Date | By/Par |
|-----|-----------|------|--------|
| | | | |
| | | | |
| | | | |
| | | | |
| | | | |

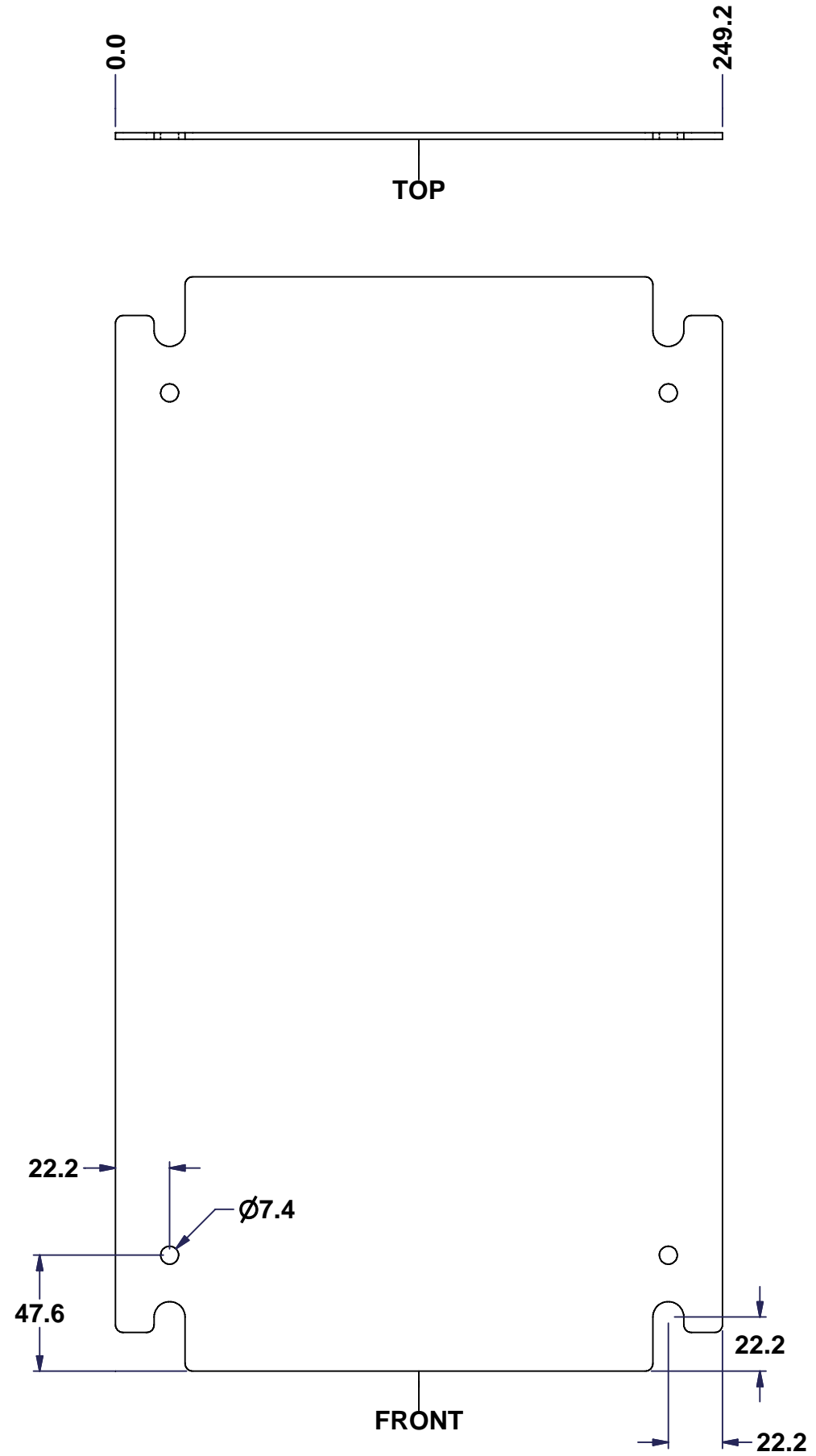


| | | | |
|--|--|---|-------------------------------|
|  Tél: (450) 979-4373 Fax: (450) 979-4626 www.exmweb.com | | Flatness Aplatissement  Max 3.0mm Projection  | |
| Customer Client | | Date | |
| Drawn By Dessiné Par BoxCad: BoxCad | | Date 13-Aug-14 | |
| Material Matière | | 16 Ga H.R.P. & O. (1.4mm) | |
| Color Couleur | | Light Grey RAL7035 | Finish Fini Rough Textured |
| Description 6412ES 500mm x 300mm Cover | | | Detail Rev. |
| Part Number Numéro Pièce | | | Rev. 3 |
| 6412ES030515C | | | 0 / 3 |

| Qty | Part Name | Rev | Description |
|------------|-----------------|-----|--|
| 1 | STK-S-00100 | 0 | 3.5" x 2" Silver Milar Flexcon Sticker |
| 1 | STK-P-03820R | 0 | Powder Paint (Light Grey / Rough Textured) |
| 2 | STK-Q-46020-20 | 5 | 5412 ES Vertical Door Stiffener 20" |
| 4 | STK-Q-16055 | 1 | M6 x 18mm Stud (No Paint Cap Required) |
| 1 | 6412ES030515G | 0 | 6412ES 500mm x 300mm Cover Gasket Part |
| 1 | 6412ES030515C-P | 0 | 6412ES 500mm x 300mm Cover Part |
| 2 | STK-K-09800 | | 5412 ES Hinge with 2 Captive Hinge Pins |
| 2 | 880 SCQ4-SL | 6 | 5412 ES 1/4 Turn Lock |
| 4 | STK-Q-07220 | 1 | M6 Nylon Insert Lock Nut |
| Parts List | | | |

This drawing is confidential and must not be reproduced or used without the consent of EXM

Ce dessin est confidentiel et ne doit pas être reproduit ou utilisé sans le consentement de EXM



| No. | Revisions | Date | By/Par |
|-----|-----------|------|--------|
| | | | |
| | | | |
| | | | |
| | | | |

Isometric View

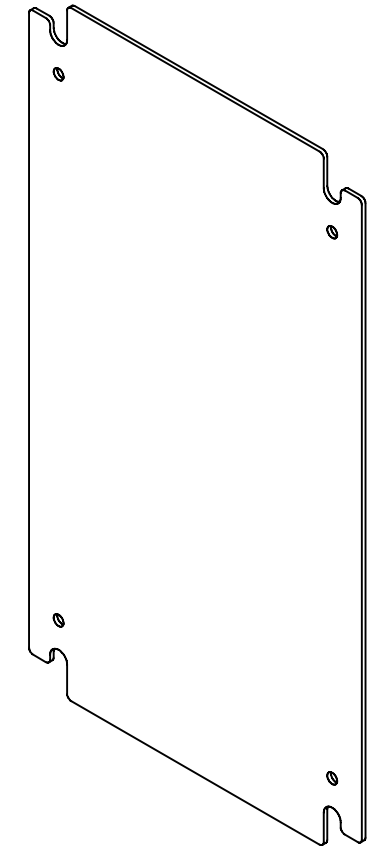
| | | |
|--|--------------------------|--|
| Tél: (450) 979-4373 Fax: (450) 979-4626 www.exmweb.com | | Flatness Aplatissement Max 3.0mm Projection |
| Customer Client | Date | |
| Drawn By Dessiné Par | BoxCad | Date 23/Jan/07 |
| Material Matière | 12 Ga Galvanized (2.5mm) | |
| Color Couleur | Unpainted | Finish Fini Unpainted |
| Description | Detail Rev. | |
| Part Number Numéro Pièce | 886 SP - Inner Panel | Rev. 1 |
| | 886 SP0305ES | 0 2 |

SEE BILL OF MATERIAL ON LAST PAGE

This drawing is confidential and must not be reproduced or used without the consent of EXM


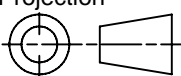
Ce dessin est confidentiel et ne doit pas être reproduit ou utilisé sans le consentement de EXM

| No. | Revisions | Date | By/Par |
|-----|-----------|------|--------|
| | | | |
| | | | |
| | | | |
| | | | |
| | | | |



Isometric View



| | | |
|--|--------------------------|---|
|  Tél: (450) 979-4373 Fax: (450) 979-4626 www.exmweb.com | | Flatness Aplatissement Max 3.0mm |
| Customer Client | | Projection  |
| Drawn By Dessiné Par BoxCad | | Date 23/Jan/07 |
| Material Matière 12 Ga Galvanized (2.5mm) | | |
| Color Couleur Unpainted | Finish Fini Unpainted | |
| Description 886 SP - Inner Panel | | Detail Rev. |
| Part Number Numéro Pièce 886 SP0305ES | Rev. 0 | 2 2 |

| Qty | Part Number | Rev | Description |
|------------|----------------|-----|---------------------------|
| 1 | 886 SP0305ES-P | 0 | 886 SP - Inner Panel Part |
| Parts List | | | |