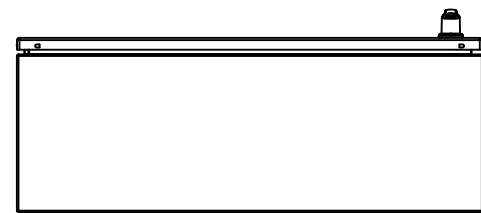


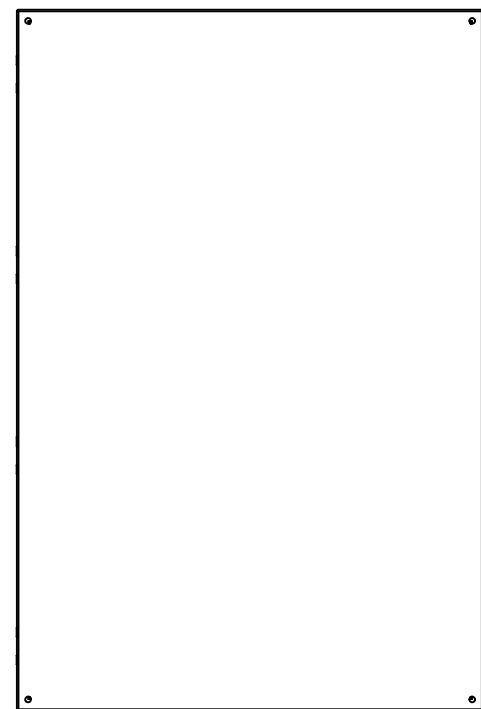
This drawing is confidential and must not be reproduced or used without the consent of EXM

Ce dessin est confidentiel et ne doit pas être reproduit ou utilisé sans le consentement de EXM

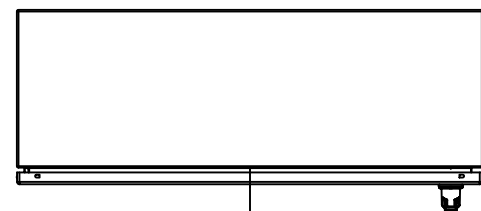
No.	Revisions	Date	By/Par



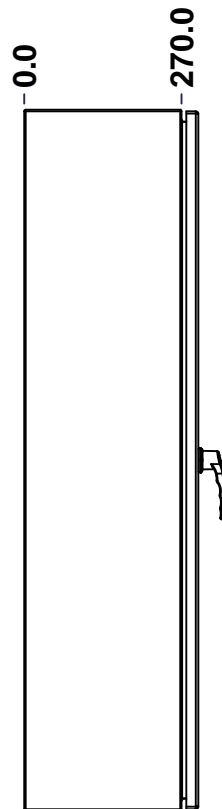
TOP



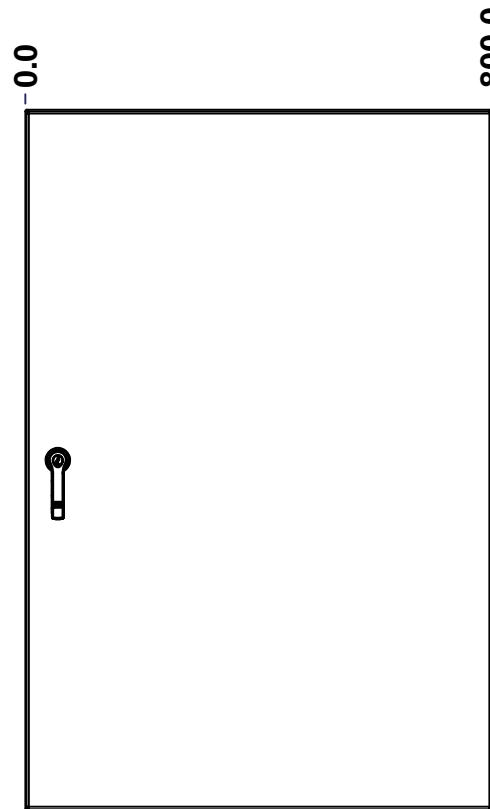
BACK



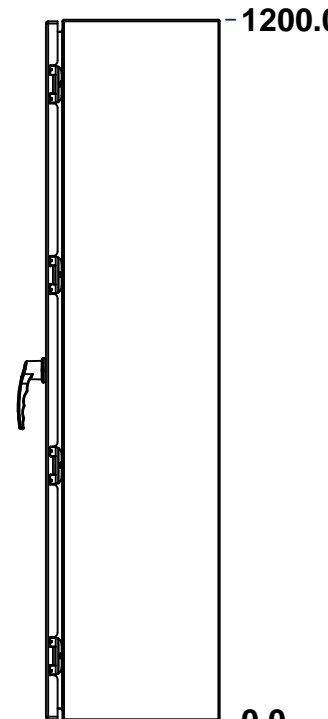
BOTTOM



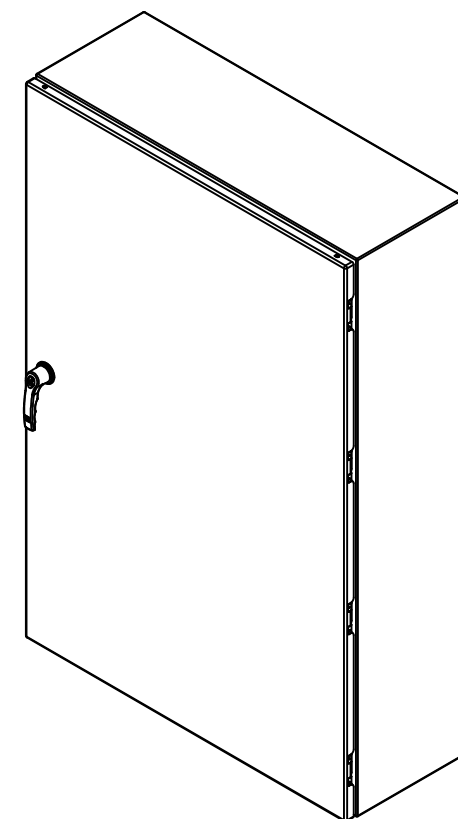
LEFT



FRONT



RIGHT



Isometric View



Tél: (450) 979-4373
 Fax: (450) 979-4626
www.exmweb.com

Flatness
Aplatissement
Max 3.0mm
Projection

Customer Client	Date
Drawn By / Dessiné Par: BoxCad: BoxCad	Date: 19-Dec-12

Material / Matière: 14 Ga H.R.P. & O. (1.7mm)

Color / Couleur: Light Grey RAL7035	Finish / Fini: Rough / Textured
-------------------------------------	---------------------------------

Description: 6412ES 1200mm x 800mm x 270mm Assembly
 Detail Rev.

Part Number / Numéro Pièce: 6412ES081230	Rev. 0	1 / 2
--	--------	-------

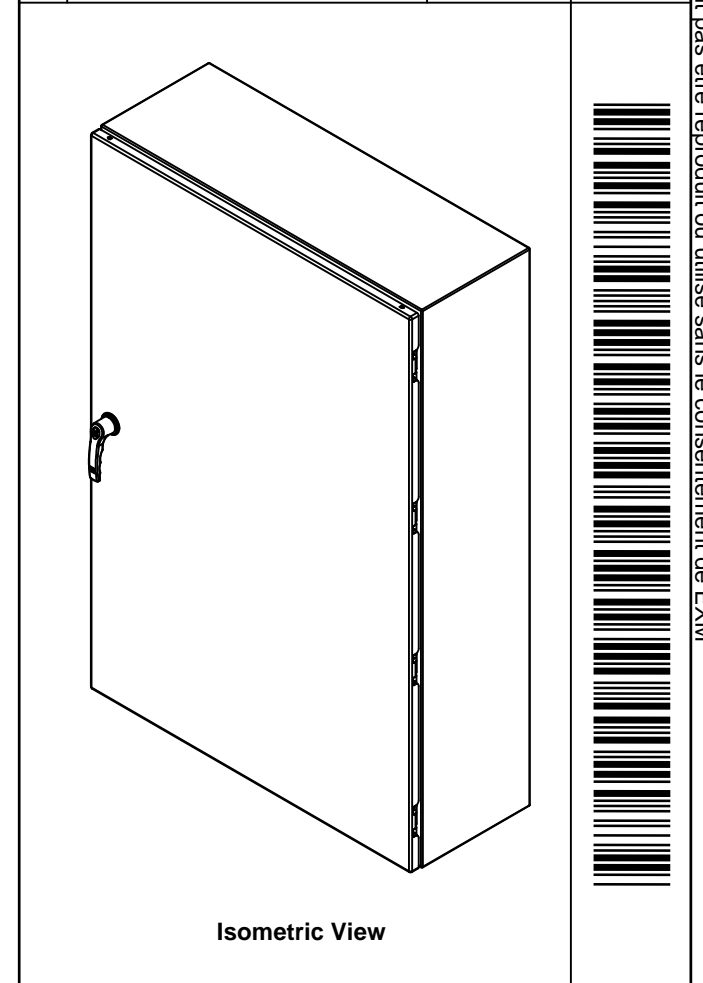
SEE BILL OF MATERIAL ON LAST PAGE

This drawing is confidential and must not be reproduced or used without the consent of EXM

Ce dessin est confidentiel et ne doit pas être reproduit ou utilisé sans le consentement de EXM


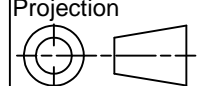
NOTE	
ITEM	DESCRIPTION
1	NEMA 4/12 Enclosure
2	C/W Standard ground studs on box and cover
3	C/W Standard door stiffener
4	C/W Standard inner panel (Included)
5	C/W Standard inner panel mounting studs
6	C/W Special closing bar (Length = 549.2mm)

No.	Revisions	Date	By/Par



PACKING		
ITEM	QTY	DESCRIPTION
Cardboard sleeve	2	Top and Bottom
Cardboard strip	2	Between back of enclosure and inner panel
Plastic bag	1	To protect cover surface and inside gasket
Cardboard corner	4	To reinforced for the plastic strap tightening
Plastic strap - Black	2	To Squeeze the 2 cardboard sleeve together
Packaging label	3	White label with PN
Plastic strap- Green	2	To secure the enclosure to the wood pallet
Wood Pallet	1	2" deeper and 3" larger than enclosure size

1	880 PP	6	Self Adhesive Print Pocket
1	STK-K-01800	5	5412 ES Accessory Kit
1	886 SP0812ES	0	886 SP - Inner Panel
1	6412ES081230C	0	6412ES 1200mm x 800mm Cover
6	STK-Q-07310	2	Flange Lock Nut M8
6	STK-Q-07610	8	M8 Plastic Spacer 22.2mm
1	6412ES081230B	0	6412ES 1200mm x 800mm x 270mm Body
4	STK-Q-04050-07	7	M6 x 7mm Hexagon Socket Head Machine Screw with Nyseal
Qty	Part Number	Rev	Description
Parts List			

 Tél: (450) 979-4373 Fax: (450) 979-4626 www.exmweb.com		Flatness Aplatissement Max 3.0mm Projection 
Customer Client	Date	
Drawn By Dessiné Par	BoxCad: BoxCad	Date 19-Dec-12
Material Matière	14 Ga H.R.P. & O. (1.7mm)	
Color Couleur	Light Grey RAL7035	Finish Fini Rough Textured
Description	Detail Rev.	
6412ES 1200mm x 800mm x 270mm Assembly		
Part Number Numéro Pièce	Rev.	2
6412ES081230	0	2

This drawing is confidential and must not be reproduced or used without the consent of EXM

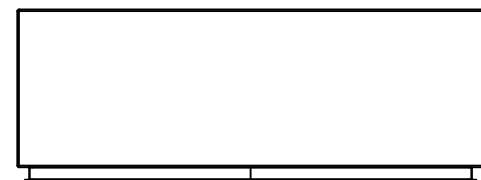
Ce dessin est confidentiel et ne doit pas être reproduit ou utilisé sans le consentement de EXM



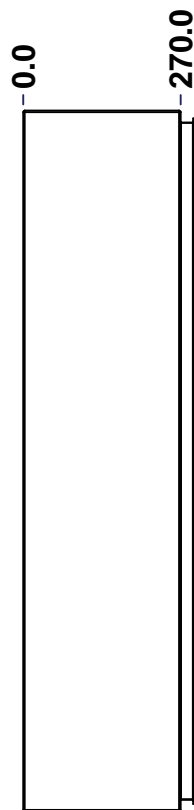
TOP



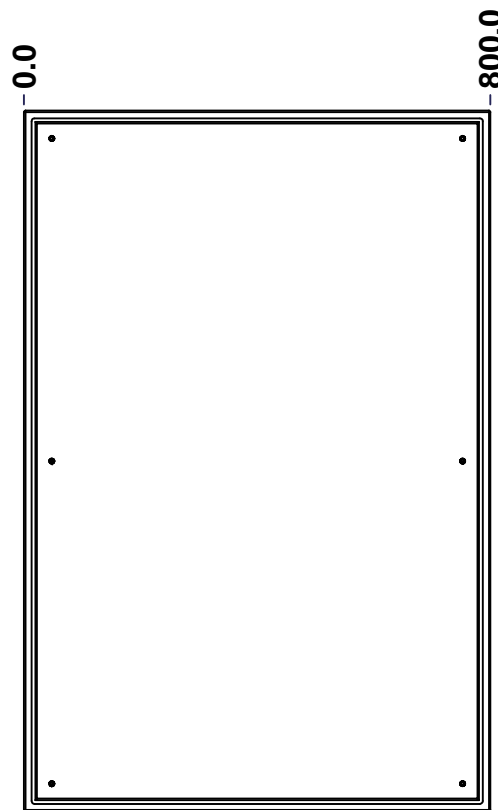
BACK



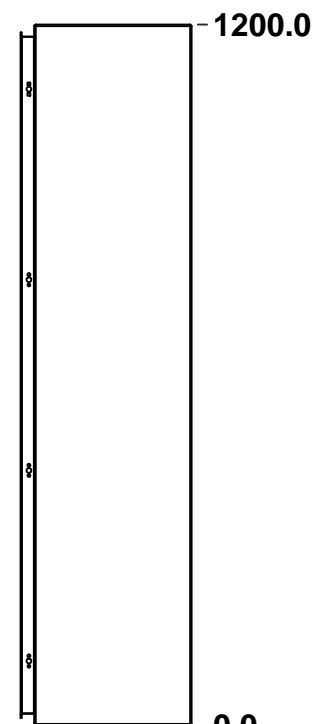
BOTTOM



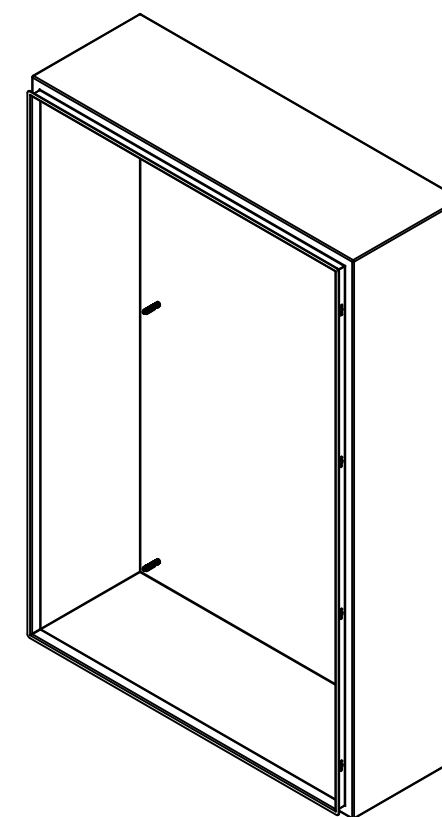
LEFT



FRONT




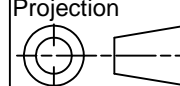
RIGHT



Isometric View



No.	Revisions	Date	By/Par

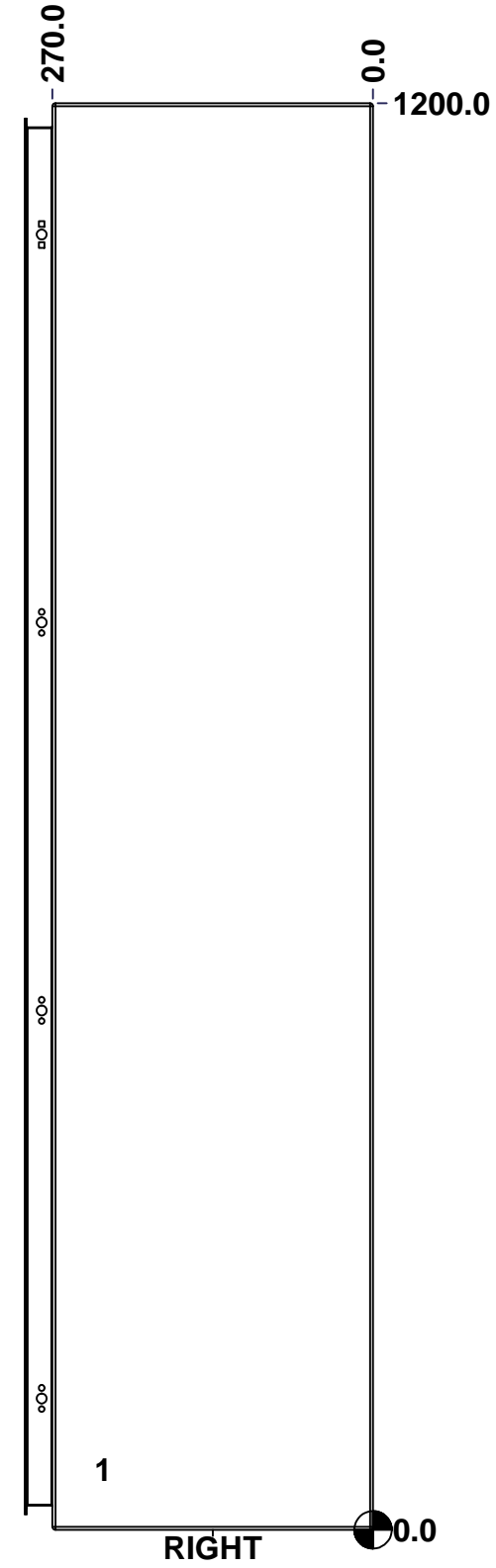
 Tél: (450) 979-4373 Fax: (450) 979-4626 www.exmweb.com		Flatness Aplatissement Max 3.0mm Projection 
Customer Client	Date	
Drawn By / Dessiné Par: BoxCad: BoxCad	Date: 19-Dec-12	
Material / Matière: 14 Ga H.R.P. & O. (1.7mm)		
Color / Couleur: Light Grey RAL7035	Finish / Fini: Rough / Textured	
Description: 6412ES 1200mm x 800mm x 270mm Body		Detail Rev.
Part Number / Numéro Pièce: 6412ES081230B	Rev. 0	1 / 7

SEE BILL OF MATERIAL ON LAST PAGE

This drawing is confidential and must not be reproduced or used without the consent of EXM

Ce dessin est confidentiel et ne doit pas être reproduit ou utilisé sans le consentement de EXM

STANDARD FEATURES ARE NOT LISTED IN THIS HOLE TABLE			
HOLE TABLE - RIGHT VIEW (CUSTOM FEATURE ONLY)			
CUT-OUT	XDIM	YDIM	DESCRIPTION
1	231.9	50.8	GND STUD M6 x 16mm (Inside)



	Description	Status	
	6412ES 1200mm x 800mm x 270mm Body		
	Part Number Numéro Pièce	Rev.	
	6412ES081230B	0	3 / 7

This drawing is confidential and must not be reproduced or used without the consent of EXM

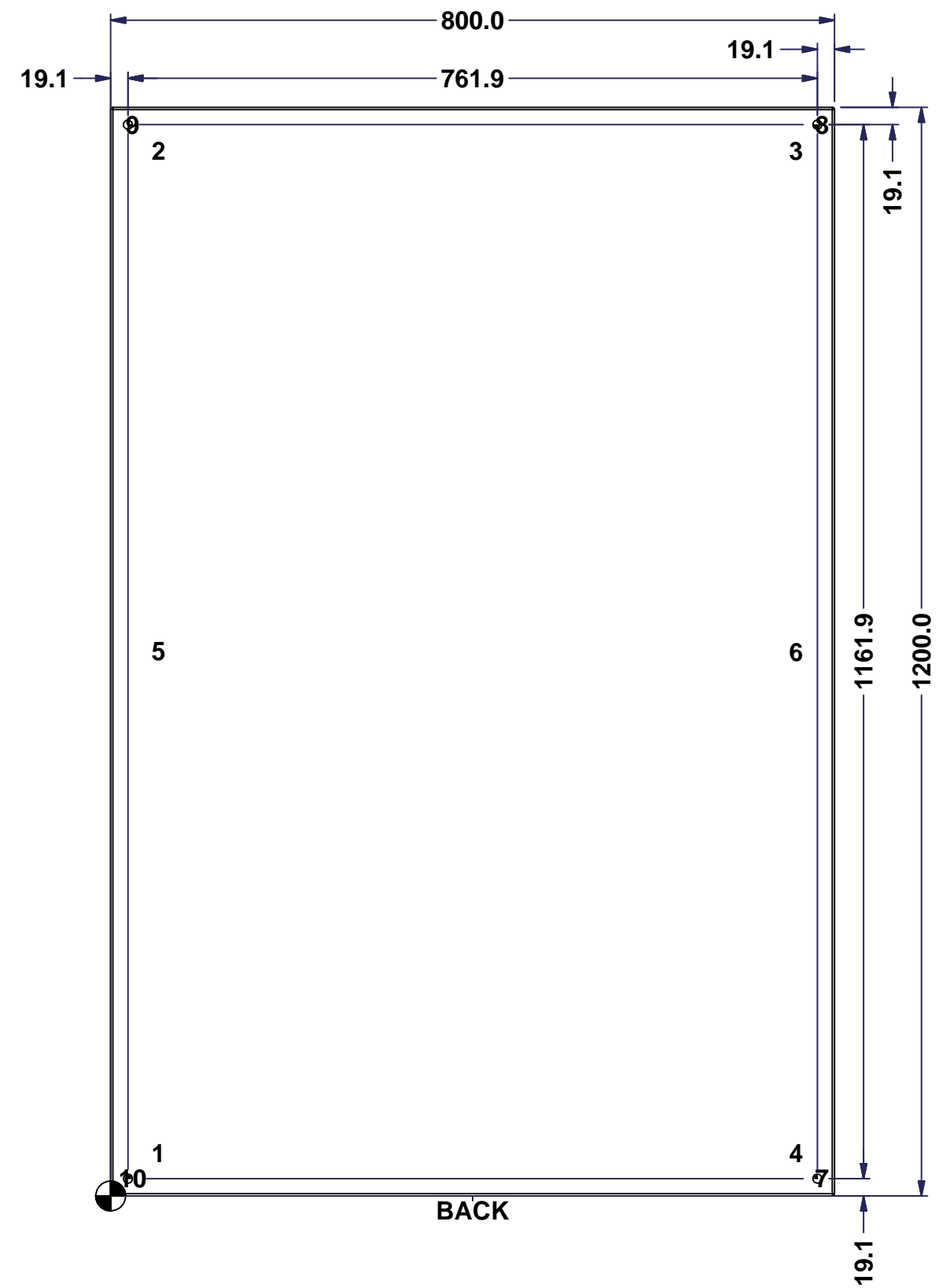
Ce dessin est confidentiel et ne doit pas être reproduit ou utilisé sans le consentement de EXM

STANDARD FEATURES ARE NOT LISTED IN THIS HOLE TABLE

HOLE TABLE - BACK VIEW (CUSTOM FEATURE ONLY)

CUT-OUT	XDIM	YDIM	DESCRIPTION
1	47.6	47.6	IP STUD M8 x 35mm (Inside)
2	47.6	1152.4	IP STUD M8 x 35mm (Inside)
3	752.4	1152.4	IP STUD M8 x 35mm (Inside)
4	752.4	47.6	IP STUD M8 x 35mm (Inside)
5	47.6	600.0	IP STUD M8 x 35mm (Inside)
6	752.4	600.0	IP STUD M8 x 35mm (Inside)

7	781.0	19.1	RND Ø9.9
8	781.0	1181.0	RND Ø9.9
9	19.1	1181.0	RND Ø9.9
10	19.1	19.1	RND Ø9.9



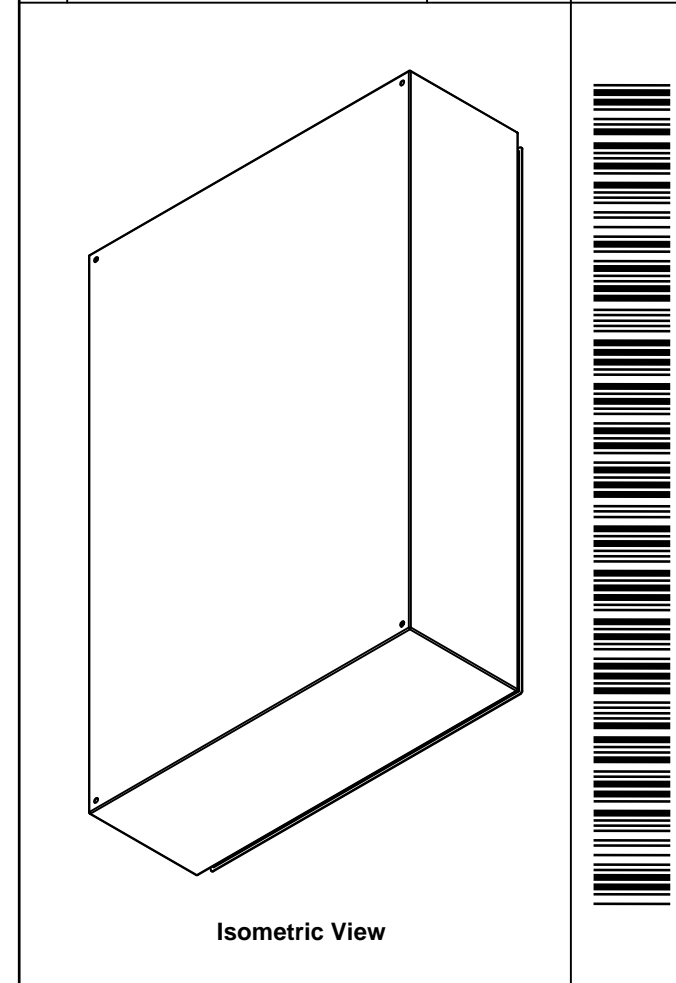
BACK

	Description		Status	
	6412ES 1200mm x 800mm x 270mm Body			
	Part Number		Rev.	6
	Numéro Pièce		0	7
		6412ES081230B		

This drawing is confidential and must not be reproduced or used without the consent of EXM


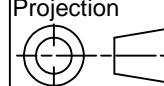
Ce dessin est confidentiel et ne doit pas être reproduit ou utilisé sans le consentement de EXM

No.	Revisions	Date	By/Par



Isometric View

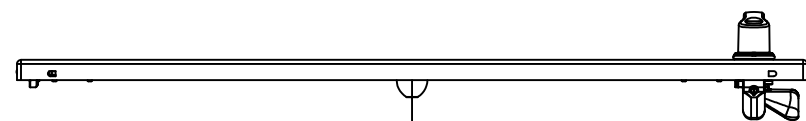


 Tél: (450) 979-4373 Fax: (450) 979-4626 www.exmweb.com		Flatness Aplatissement Max 3.0mm Projection 
Customer Client	Date	
Drawn By / Dessiné Par: BoxCad: BoxCad	Date: 19-Dec-12	
Material / Matière: 14 Ga H.R.P. & O. (1.7mm)		
Color / Couleur: Light Grey RAL7035	Finish / Fini: Rough Textured	
Description: 6412ES 1200mm x 800mm x 270mm Body		Detail Rev.
Part Number / Numéro Pièce: 6412ES081230B		Rev. 7
		0

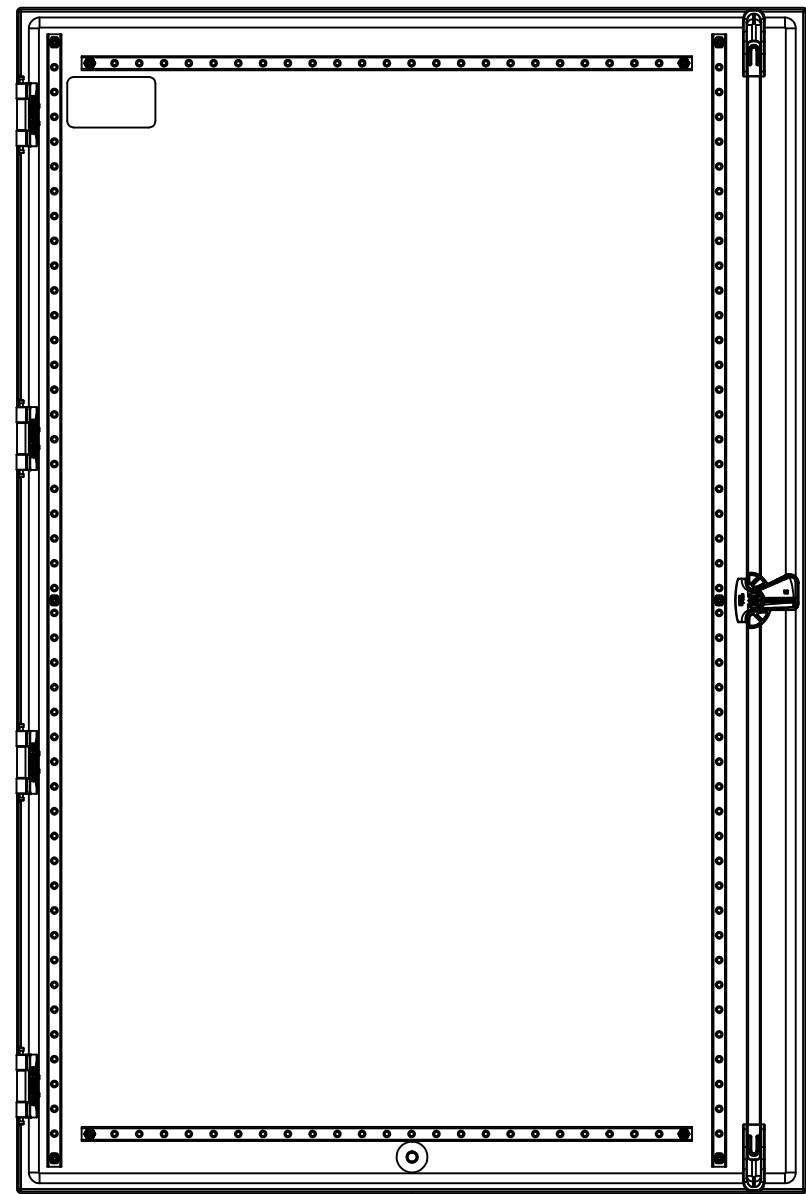
Qty	Part Number	Rev	Description
1	STK-Q-16080	0	Ground Stud M6 x 16mm
1	STK-P-03820R	0	Powder Paint (Light Grey / Rough Textured)
6	STK-Q-16005	1	Stud M8 x 35 (No Paint Cap Required)
1	6412ES081230B-P	0	6412ES 1200mm x 800mm x 270mm Body Part
Parts List			

This drawing is confidential and must not be reproduced or used without the consent of EXM

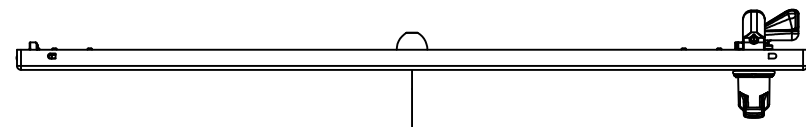
Ce dessin est confidentiel et ne doit pas être reproduit ou utilisé sans le consentement de EXM



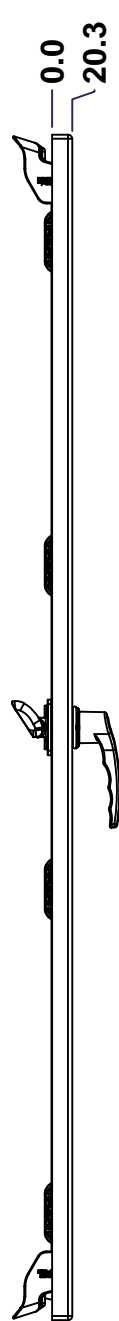
TOP



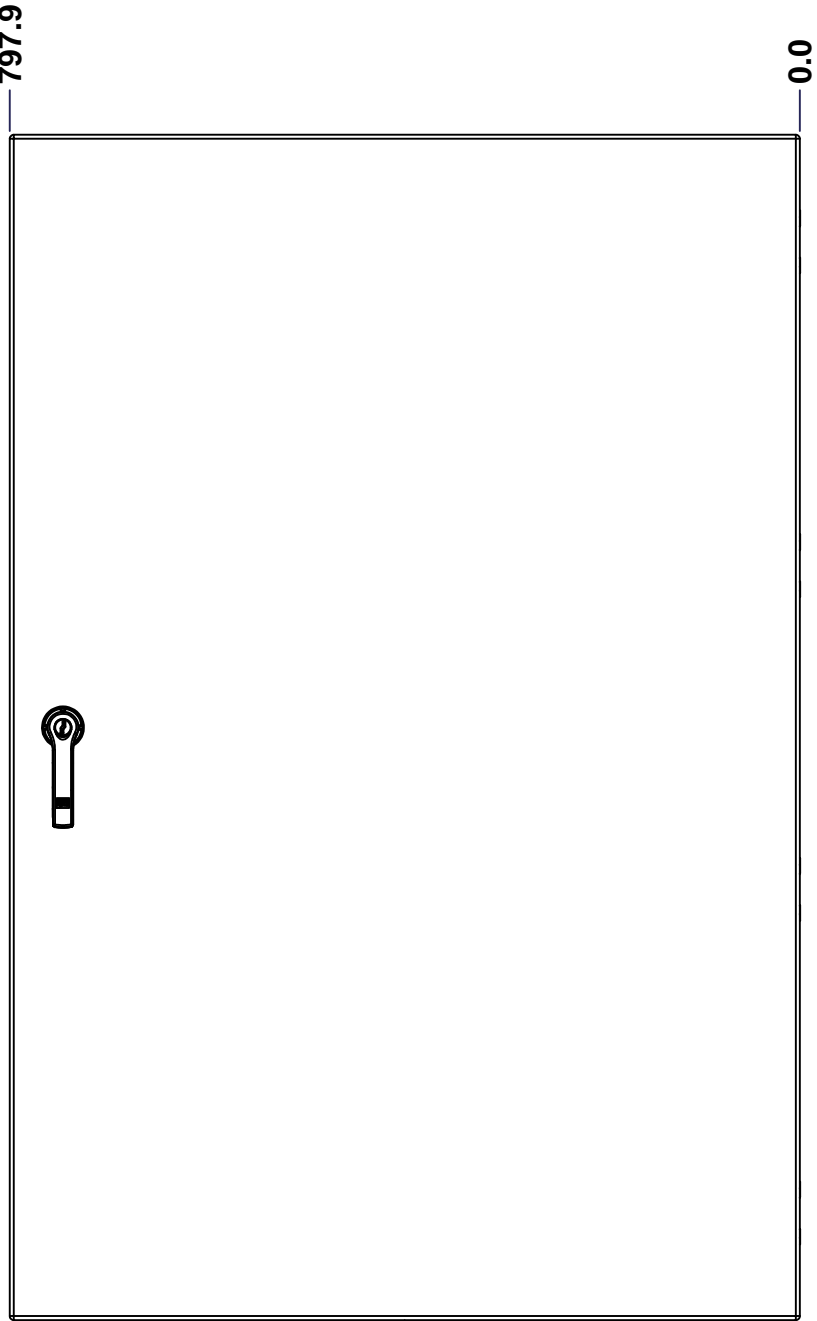
BACK



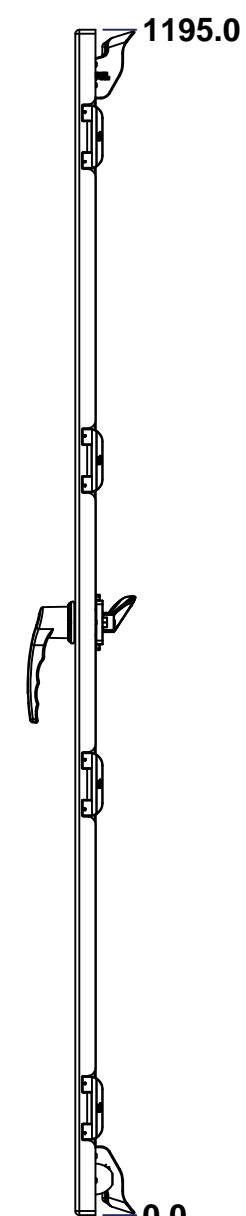
BOTTOM



LEFT

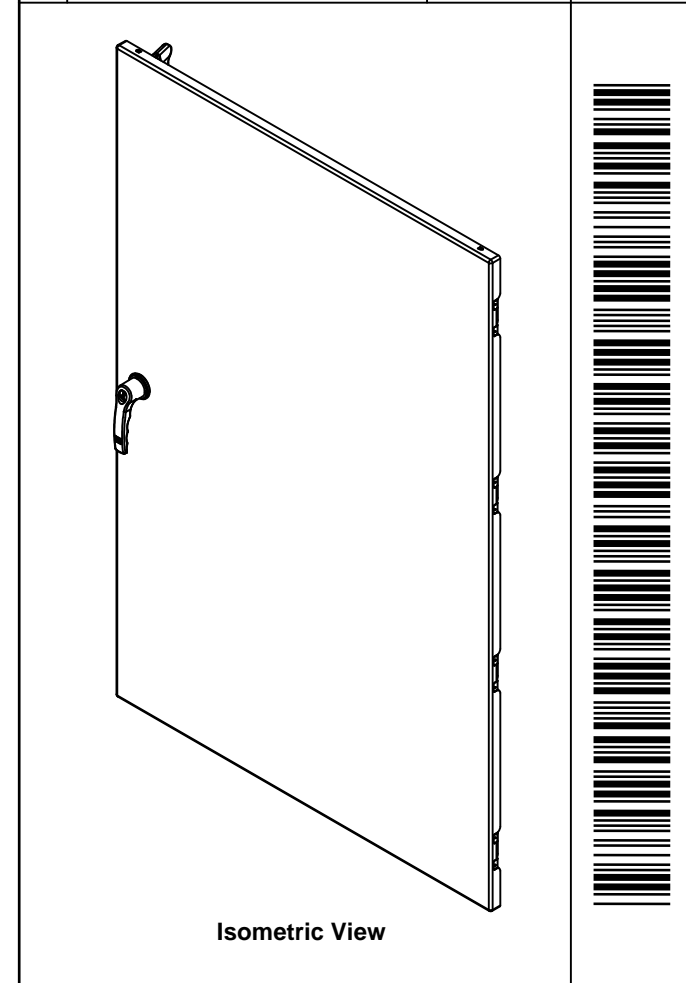


FRONT



RIGHT

No.	Revisions	Date	By/Par



Isometric View

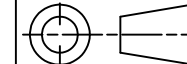


Tél: (450) 979-4373
 Fax: (450) 979-4626
www.exmweb.com

Flatness
Aplatissement

Max 3.0mm

Projection



Customer Client	Date
Drawn By Dessiné Par BoxCad: BoxCad	Date 19-Dec-12
Material Matière 14 Ga H.R.P. & O. (1.7mm)	
Color Couleur Light Grey RAL7035	Finish Fini Rough Textured
Description 6412ES 1200mm x 800mm Cover	Detail Rev.
Part Number Numéro Pièce 6412ES081230C	Rev. 1 0 3

SEE BILL OF MATERIAL ON LAST PAGE

This drawing is confidential and must not be reproduced or used without the consent of EXM

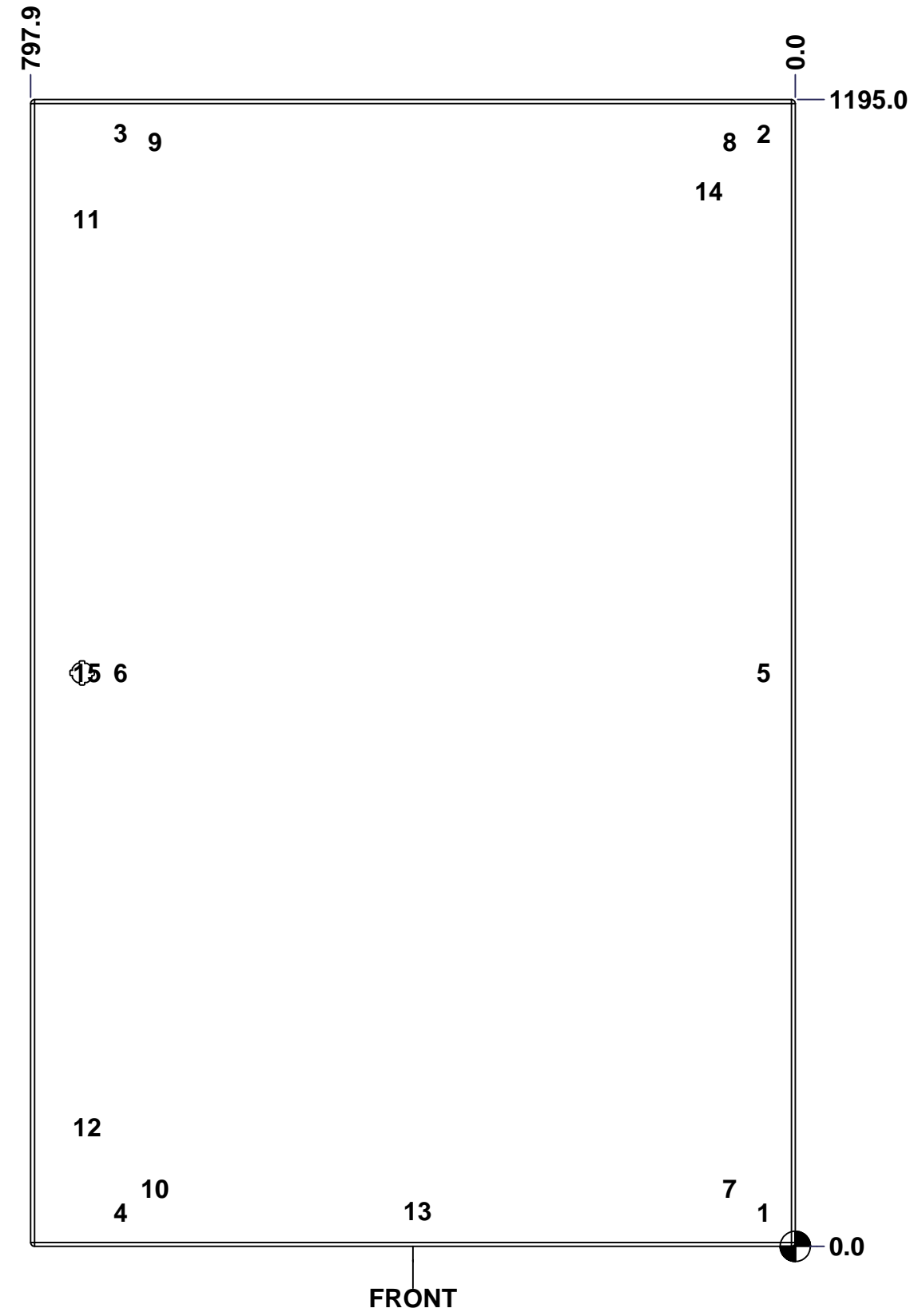
Ce dessin est confidentiel et ne doit pas être reproduit ou utilisé sans le consentement de EXM

STANDARD FEATURES ARE NOT LISTED IN THIS HOLE TABLE

HOLE TABLE - FRONT VIEW (CUSTOM FEATURE ONLY)

CUT-OUT	XDIM	YDIM	DESCRIPTION
1	37.7	35.0	STUD M6 x 18mm (Inside)
2	37.7	1160.0	STUD M6 x 18mm (Inside)
3	709.1	1160.0	STUD M6 x 18mm (Inside)
4	709.1	35.0	STUD M6 x 18mm (Inside)
5	37.7	597.5	STUD M6 x 18mm (Inside)
6	709.1	597.5	STUD M6 x 18mm (Inside)
7	73.4	59.7	STUD M6 x 18mm (Inside)
8	73.4	1151.5	STUD M6 x 18mm (Inside)
9	673.4	1151.5	STUD M6 x 18mm (Inside)
10	673.4	59.7	STUD M6 x 18mm (Inside)
11	744.2	1070.4	CLOSING BAR STUD (Inside)
12	744.2	124.6	CLOSING BAR STUD (Inside)
13	399.0	36.4	STUD M6 x 18mm (Inside)

14	95.3	1099.7	LABEL_EXM (Inside)
15	744.2	597.5	HANDLE 885 ESL2A @ 0.0°

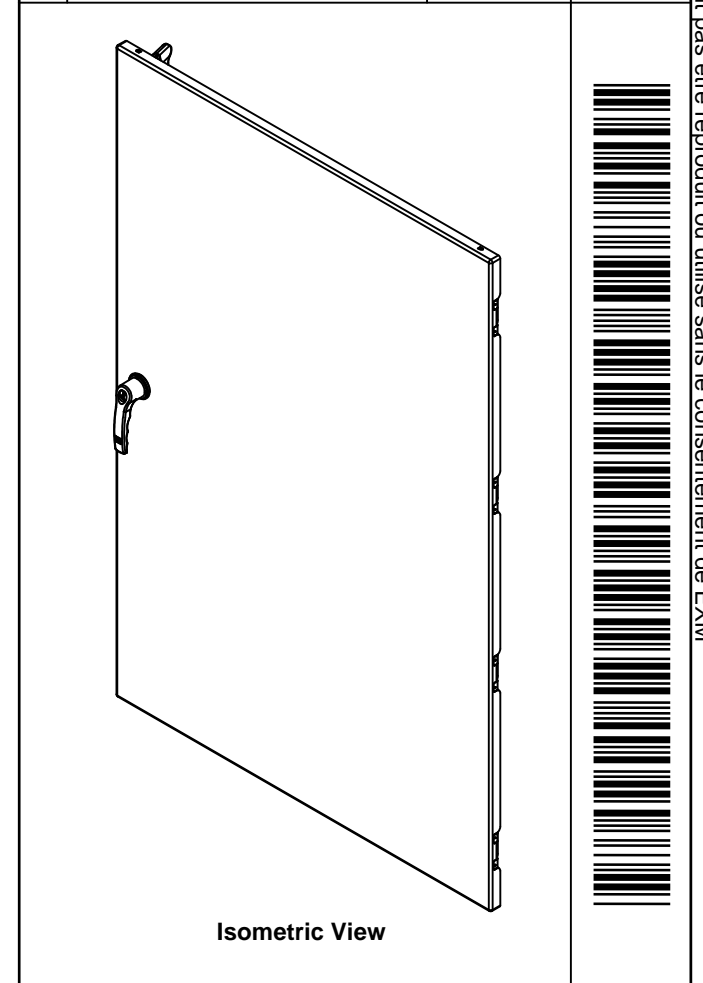


	Description	Status
	6412ES 1200mm x 800mm Cover	(NULL)
	Part Number Numéro Pièce	Rev.
	6412ES081230C	0 / 2 / 3


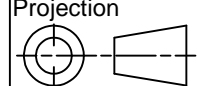
This drawing is confidential and must not be reproduced or used without the consent of EXM

Ce dessin est confidentiel et ne doit pas être reproduit ou utilisé sans le consentement de EXM

No.	Revisions	Date	By/Par

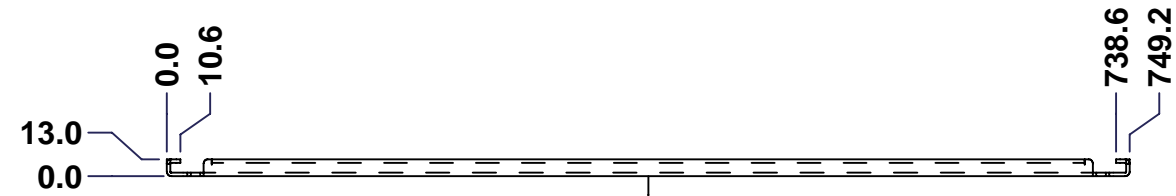


1	6412ES081230LBAR	0	5412 ES - Lower Closing Bar (Length = 549.2mm)
2	STK-Q-90042	4	5412 ES - Cabinet Closing Bar End (Small)
1	6412ES081230UBAR	0	5412 ES - Upper Closing Bar (Length = 549.2mm)
1	STK-Q-50535	14	5412 ES - Handle Cam Counter Clockwise (Grip 32mm)
1	885 ESL2A	4	5412 ES Key Lock L-Handle (3 Pts)
1	STK-S-00100	0	3.5" x 2" Silver Milar Flexcon Sticker
1	STK-P-03820R	0	Powder Paint (Light Grey / Rough Textured)
1	STK-Q-46515	3	5412 ES Door Support with Brass Insert
2	STK-Q-46025-30-3	4	5412 ES Horizontal Door Stiffener 30" (3Pts)
2	STK-Q-46020-48	5	5412 ES Vertical Door Stiffener 48"
2	STK-Q-16405	6	Guide Stud - Small (No Paint Cap Required)
11	STK-Q-16055	1	M6 x 18mm Stud (No Paint Cap Required)
1	6412ES081230G	0	6412ES 1200mm x 800mm Cover Gasket Part
1	6412ES081230C-P	0	6412ES 1200mm x 800mm Cover Part
4	STK-K-09800		5412 ES Hinge with 2 Captive Hinge Pins
10	STK-Q-07220	1	M6 Nylon Insert Lock Nut
Qty	Part Name	Rev	Description
Parts List			

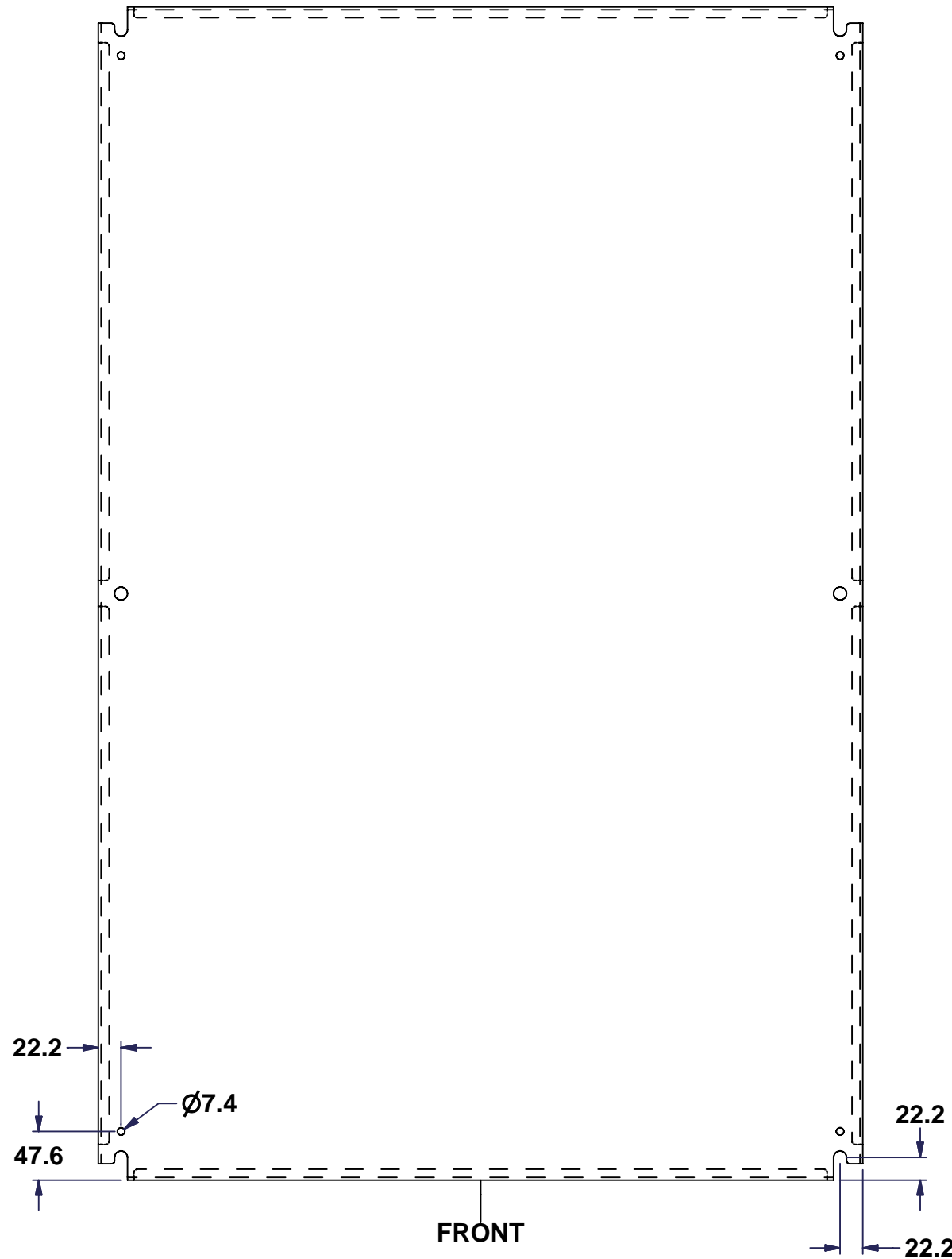
 Tél: (450) 979-4373 Fax: (450) 979-4626 www.exmweb.com	Flatness Aplatissement
	Max 3.0mm
Projection	
Customer Client	Date
Drawn By Dessiné Par	Date 19-Dec-12
Material Matière	14 Ga H.R.P. & O. (1.7mm)
Color Couleur	Light Grey RAL7035
Finish Fini	Rough Textured
Description	Detail Rev.
6412ES 1200mm x 800mm Cover	
Part Number Numéro Pièce	Rev. 3
6412ES081230C	0 3

This drawing is confidential and must not be reproduced or used without the consent of EXM

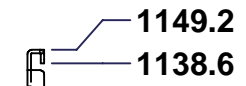
Ce dessin est confidentiel et ne doit pas être reproduit ou utilisé sans le consentement de EXM



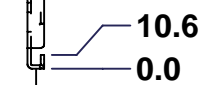
TOP



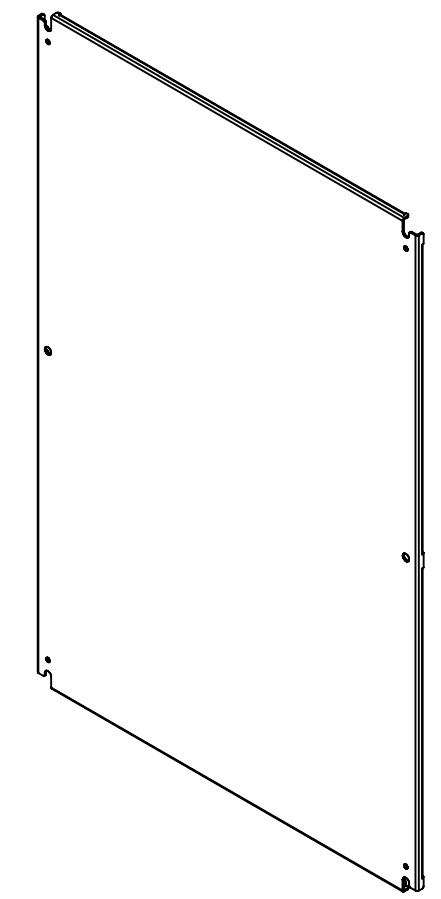
FRONT



RIGHT


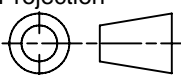


No.	Revisions	Date	By/Par



Isometric View



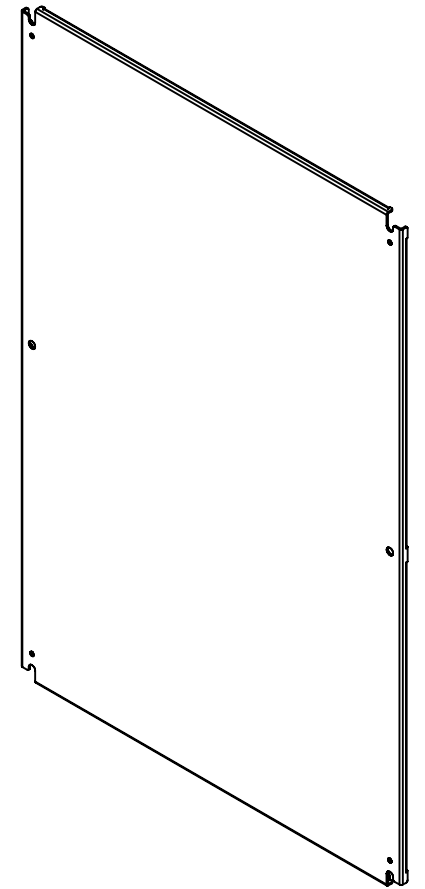
 Tél: (450) 979-4373 Fax: (450) 979-4626 www.exmweb.com	Flatness Aplatissement	Max 3.0mm
	Projection	
Customer Client	Date	
Drawn By Dessiné Par	BoxCad	Date 23/Jan/07
Material Matière	12 Ga Galvanized (2.5mm)	
Color Couleur	Unpainted	Finish Fini Unpainted
Description	Detail Rev.	
886 SP - Inner Panel		
Part Number Numéro Pièce	Rev.	1
886 SP0812ES	0	2

SEE BILL OF MATERIAL ON LAST PAGE

This drawing is confidential and must not be reproduced or used without the consent of EXM


Ce dessin est confidentiel et ne doit pas être reproduit ou utilisé sans le consentement de EXM

No.	Revisions	Date	By/Par



Isometric View



 Tél: (450) 979-4373 Fax: (450) 979-4626 www.exmweb.com		Flatness Aplatissement Max 3.0mm
Customer Client		Date
Drawn By Dessiné Par BoxCad		Date 23/Jan/07
Material Matière 12 Ga Galvanized (2.5mm)		
Color Couleur Unpainted	Finish Fini Unpainted	
Description 886 SP - Inner Panel		Detail Rev.
Part Number Numéro Pièce 886 SP0812ES		Rev. 2 0

Qty	Part Number	Rev	Description
1	886 SP0812ES-P	0	886 SP - Inner Panel Part
Parts List			