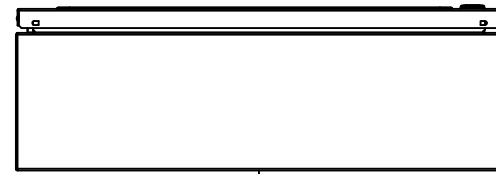


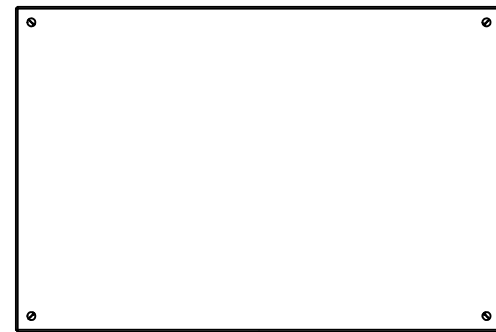
This drawing is confidential and must not be reproduced or used without the consent of EXM

Ce dessin est confidentiel et ne doit pas être reproduit ou utilisé sans le consentement de EXM

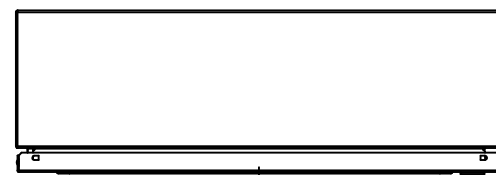
No.	Revisions	Date	By/Par
1		15/08/2014	



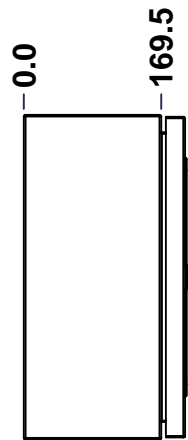
TOP



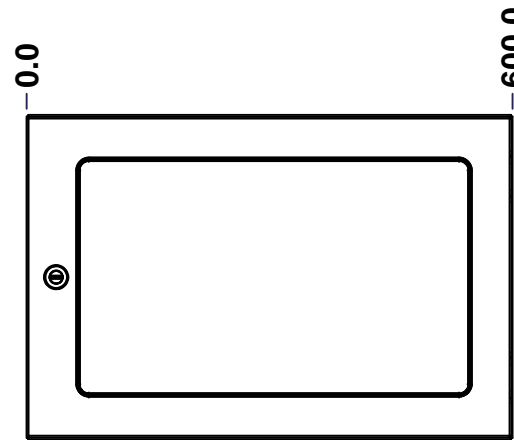
BACK



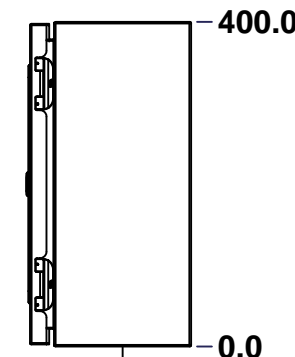
BOTTOM



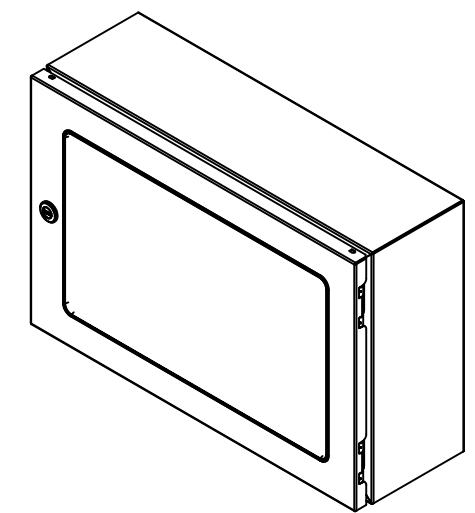
LEFT



FRONT



RIGHT



Isometric View



Tél: (450) 979-4373  
 Fax: (450) 979-4626  
[www.exmweb.com](http://www.exmweb.com)

Flatness  
 Aplatissement  
 Max 3.0mm  
 Projection

Customer Client	Date
Drawn By / Dessiné Par: BoxCad: Annie	Date: 07/05/2013
Material / Matière: 16 Ga H.R.P. & O. (1.4mm)	
Color / Couleur: Light Grey RAL7035	Finish / Fini: Rough Textured
Description: 6412ESW 400mm x 600mm x 170mm Assembly	
Part Number / Numéro Pièce: <b>6412ESW060420</b>	Detail Rev.:
Rev. <b>1</b>	1 / 2

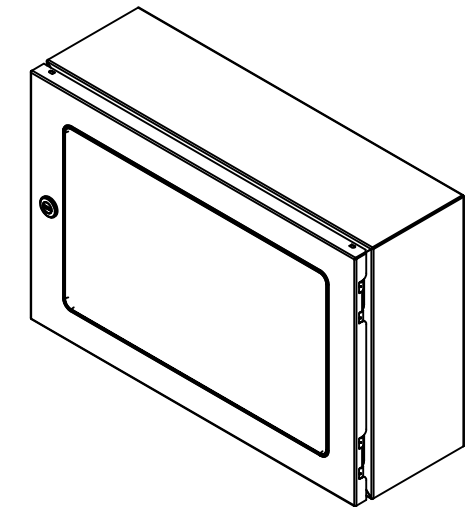
SEE BILL OF MATERIAL ON LAST PAGE

This drawing is confidential and must not be reproduced or used without the consent of EXM

Ce dessin est confidentiel et ne doit pas être reproduit ou utilisé sans le consentement de EXM


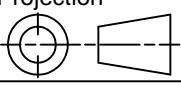
NOTE	
ITEM	DESCRIPTION
1	NEMA 4/12 Enclosure
2	C/W Standard ground studs on box and cover
3	W/O Standard door stiffener
4	C/W Special inner panel (Sold seperately)
5	C/W Standard inner panel mounting studs

No.	Revisions	Date	By/Par
1		15/08/2014	



Isometric View

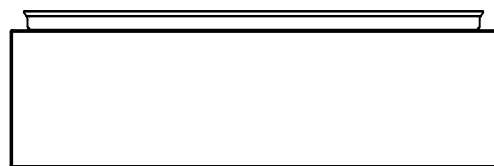


 Tél: (450) 979-4373 Fax: (450) 979-4626 <a href="http://www.exmweb.com">www.exmweb.com</a>		Flatness Aplatissement Max 3.0mm Projection 
Customer Client	Date	
Drawn By Dessiné Par	BoxCad: Annie	Date 07/05/2013
Material Matière	16 Ga H.R.P. & O. (1.4mm)	
Color Couleur	Light Grey RAL7035	Finish Fini
Description		Detail Rev.
6412ESW 400mm x 600mm x 170mm Assembly		
Part Number Numéro Pièce	Rev.	2
<b>6412ESW060420</b>	<b>1</b>	<b>2</b>

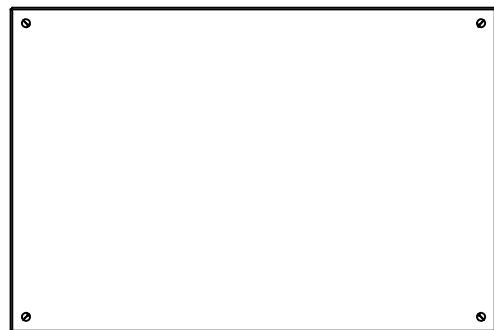
Qty	Part Number	Rev	Description
1	880 PP	0	Self Adhesive Print Pocket
1	STK-K-01800	0	5412 ES Accessory Kit
1	6412ESW060420IP	1	6412ESW 400mm x 600mm Inner Panel Part
1	6412ESW060420C	1	6412ESW 400mm x 600mm Cover
4	STK-Q-07310	2	Flange Lock Nut M8
4	STK-Q-07610	7	M8 Plastic Spacer 22.2mm
1	6412ESW060420B	1	6412ESW 400mm x 600mm x 170mm Body
2	STK-Q-04050-07	5	M6 x 7mm Hexagon Socket Head Machine Screw with Nyseal
Parts List			

This drawing is confidential and must not be reproduced or used without the consent of EXM

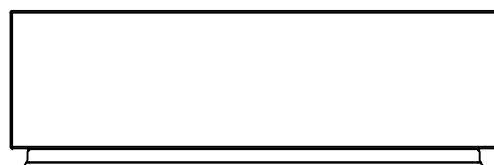
Ce dessin est confidentiel et ne doit pas être reproduit ou utilisé sans le consentement de EXM



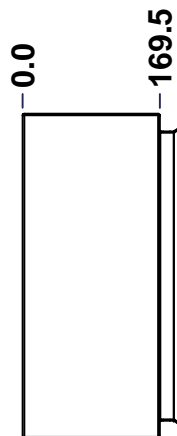
TOP



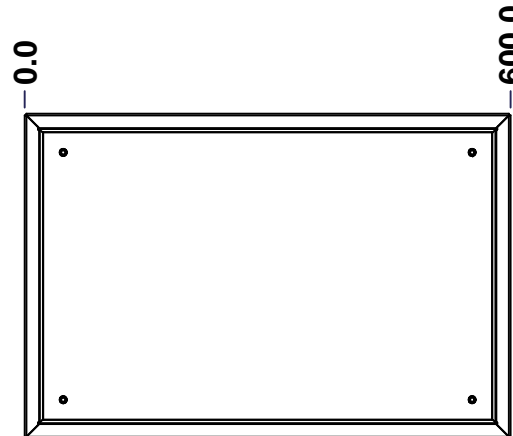
BACK



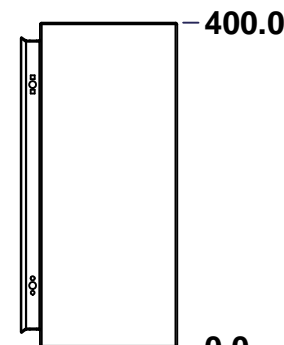
BOTTOM



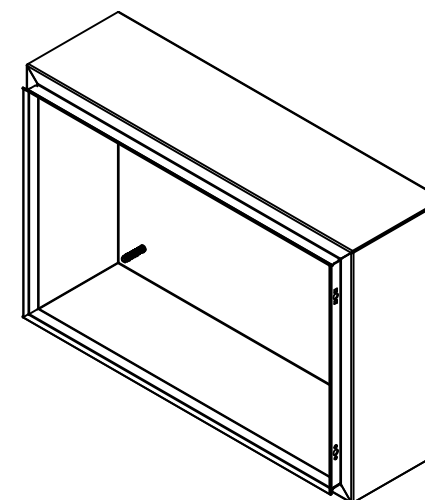
LEFT



FRONT




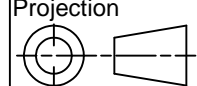
RIGHT



Isometric View



No.	Revisions	Date	By/Par
1		15/08/2014	

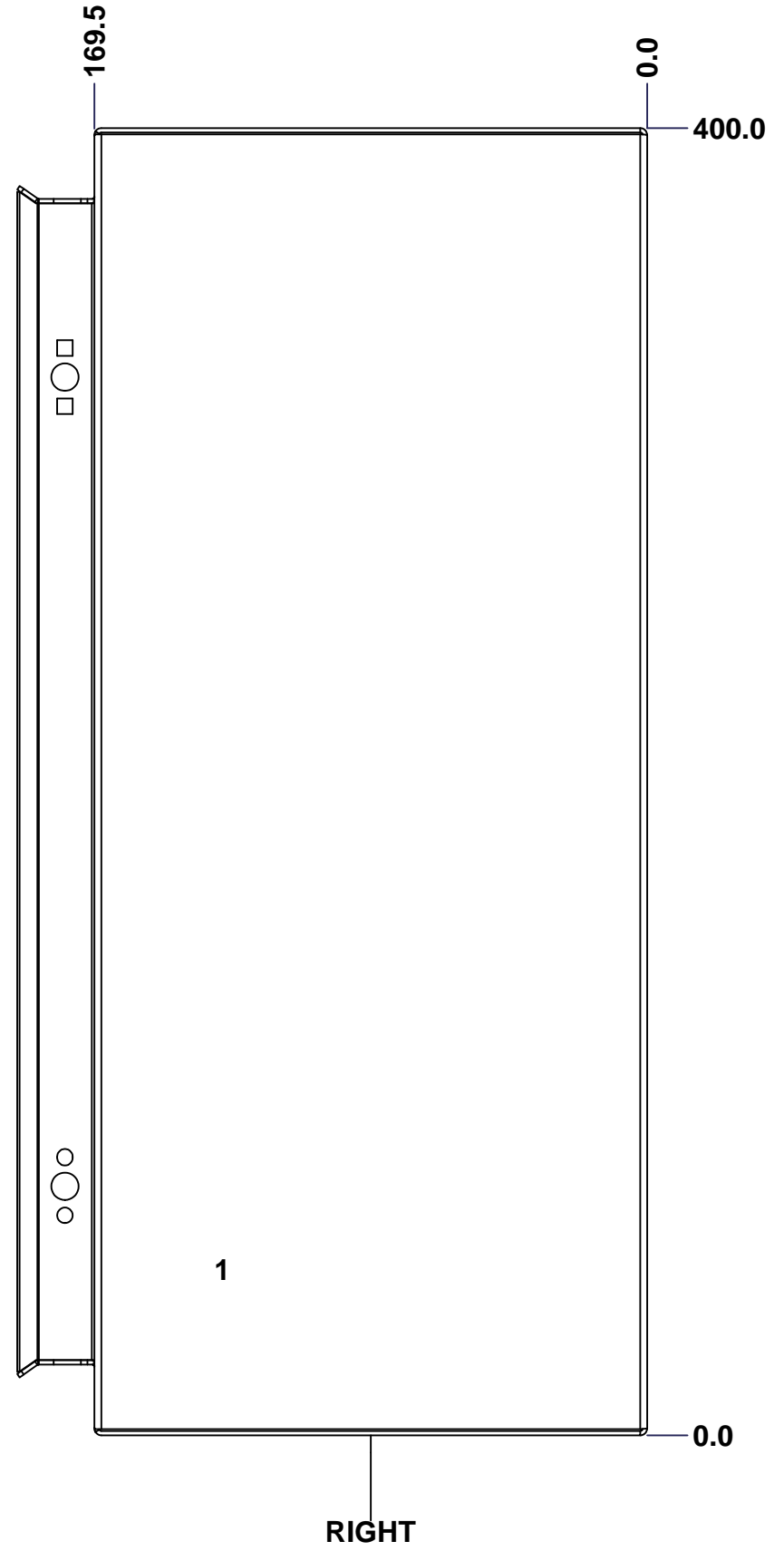
 Tél: (450) 979-4373 Fax: (450) 979-4626 <a href="http://www.exmweb.com">www.exmweb.com</a>		Flatness Aplatissement Max 3.0mm Projection 
Customer Client	Date	
Drawn By Dessiné Par	BoxCad: Annie	Date 07/05/2013
Material Matière	16 Ga H.R.P. & O. (1.4mm)	
Color Couleur	Light Grey RAL7035	Finish Fini
Description		Detail Rev.
6412ESW 400mm x 600mm x 170mm Body		
Part Number Numéro Pièce	Rev.	1
<b>6412ESW060420B</b>	<b>1</b>	7

SEE BILL OF MATERIAL ON LAST PAGE

This drawing is confidential and must not be reproduced or used without the consent of EXM

Ce dessin est confidentiel et ne doit pas être reproduit ou utilisé sans le consentement de EXM

STANDARD FEATURES ARE NOT LISTED IN THIS HOLE TABLE			
HOLE TABLE - RIGHT VIEW (CUSTOM FEATURE ONLY)			
CUT-OUT	XDIM	YDIM	DESCRIPTION
1	131.9	50.8	GND STUD M6 x 16mm (Inside)



	Description		Status	
	6412ESW 400mm x 600mm x 170mm Body			
Part Number Numéro Pièce		Rev.		
<b>6412ESW060420B</b>		<b>1</b>	3	7

This drawing is confidential and must not be reproduced or used without the consent of EXM

Ce dessin est confidentiel et ne doit pas être reproduit ou utilisé sans le consentement de EXM

**STANDARD FEATURES ARE NOT LISTED IN THIS HOLE TABLE**

**HOLE TABLE - BACK VIEW (CUSTOM FEATURE ONLY)**

CUT-OUT	XDIM	YDIM	DESCRIPTION
1	47.6	47.6	IP STUD M8 x 35mm (Inside)
2	47.6	352.4	IP STUD M8 x 35mm (Inside)
3	552.4	352.4	IP STUD M8 x 35mm (Inside)
4	552.4	47.6	IP STUD M8 x 35mm (Inside)



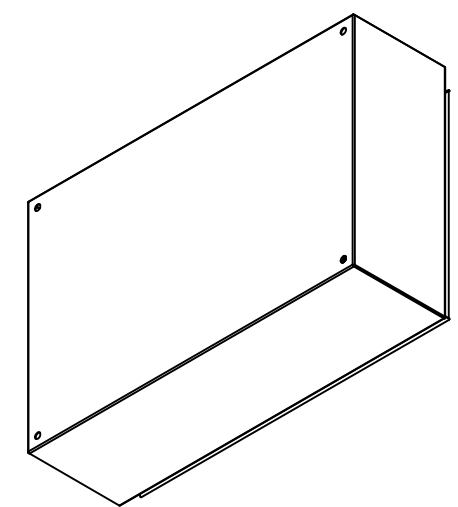
BACK

	Description		Status	
	6412ESW 400mm x 600mm x 170mm Body			
Part Number Numéro Pièce		Rev.		
<b>6412ESW060420B</b>		<b>1</b>	6	7

This drawing is confidential and must not be reproduced or used without the consent of EXM


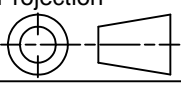
Ce dessin est confidentiel et ne doit pas être reproduit ou utilisé sans le consentement de EXM

No.	Revisions	Date	By/Par
1		15/08/2014	



Isometric View

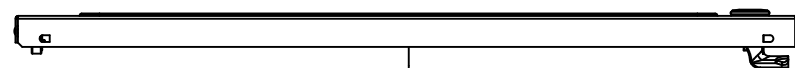


 Tél: (450) 979-4373 Fax: (450) 979-4626 <a href="http://www.exmweb.com">www.exmweb.com</a>		Flatness Aplatissement Max 3.0mm Projection 
Customer Client	Date	
Drawn By Dessiné Par	BoxCad: Annie	Date 07/05/2013
Material Matière 16 Ga H.R.P. & O. (1.4mm)		
Color Couleur	Light Grey RAL7035	Finish Fini Rough Textured
Description		Detail Rev.
6412ESW 400mm x 600mm x 170mm Body		
Part Number Numéro Pièce	Rev.	7
<b>6412ESW060420B</b>	<b>1</b>	<b>7</b>

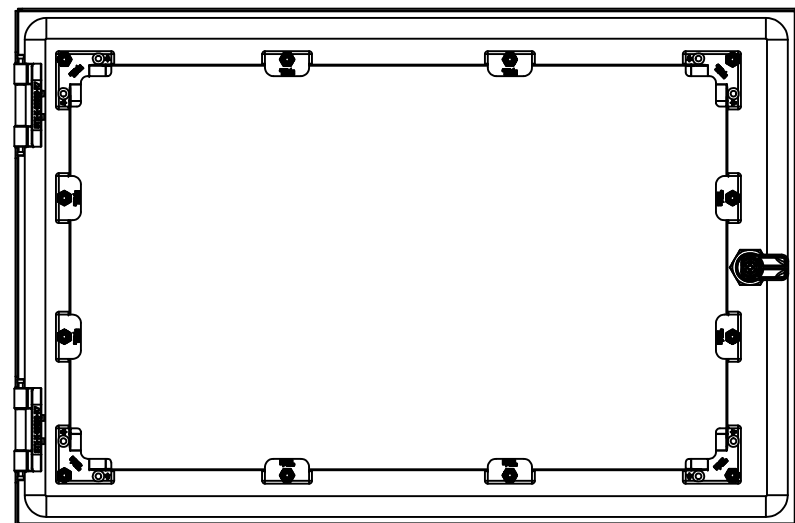
Qty	Part Number	Rev	Description
1	STK-P-03820R	0	Powder Paint (Light Grey / Rough Textured)
4	STK-Q-16005	1	Stud M8 x 35 (No Paint Cap Required)
1	STK-Q-16080	0.1.1	M6 x 16mm Ground Stud
1	6412ESW060420B-P	1	6412ESW 400mm x 600mm x 170mm Body Part
Parts List			

This drawing is confidential and must not be reproduced or used without the consent of EXM

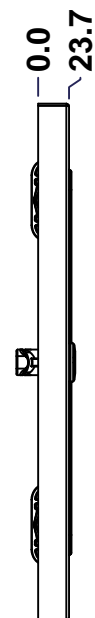
Ce dessin est confidentiel et ne doit pas être reproduit ou utilisé sans le consentement de EXM



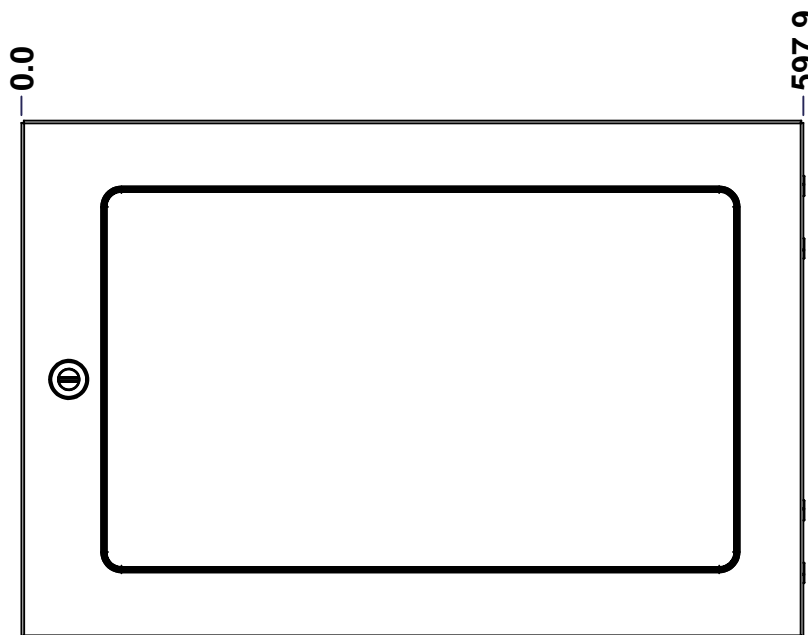
TOP



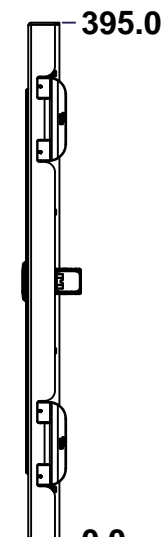
BACK



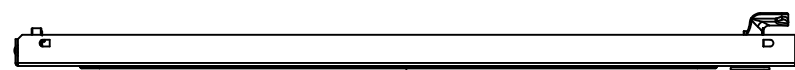
LEFT



FRONT

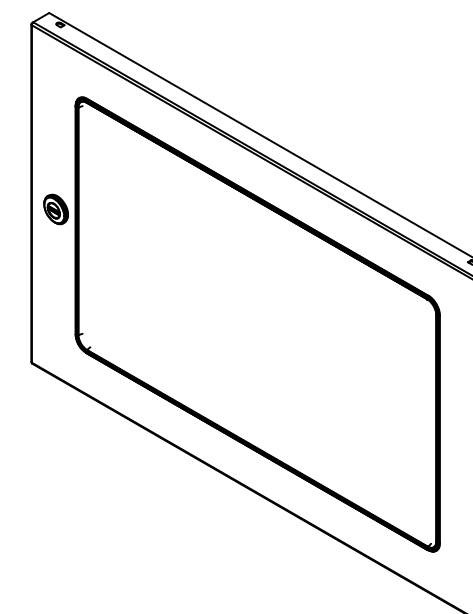


RIGHT



BOTTOM

No.	Revisions	Date	By/Par
1		15/08/2014	



Isometric View



Tél: (450) 979-4373  
 Fax: (450) 979-4626  
[www.exmweb.com](http://www.exmweb.com)

Flatness  
Aplatissement  
Max 3.0mm  
Projection

Customer Client	Date
Drawn By / Dessiné Par: BoxCad: Annie	Date: 07/05/2013

Material / Matière: 16 Ga H.R.P. & O. (1.4mm)

Color / Couleur: Light Grey RAL7035	Finish / Fini: Rough Textured
-------------------------------------	-------------------------------

Description: 6412ESW 400mm x 600mm Cover

Part Number / Numéro Pièce: 6412ESW060420C	Rev. 1	1
--	--------	---

SEE BILL OF MATERIAL ON LAST PAGE

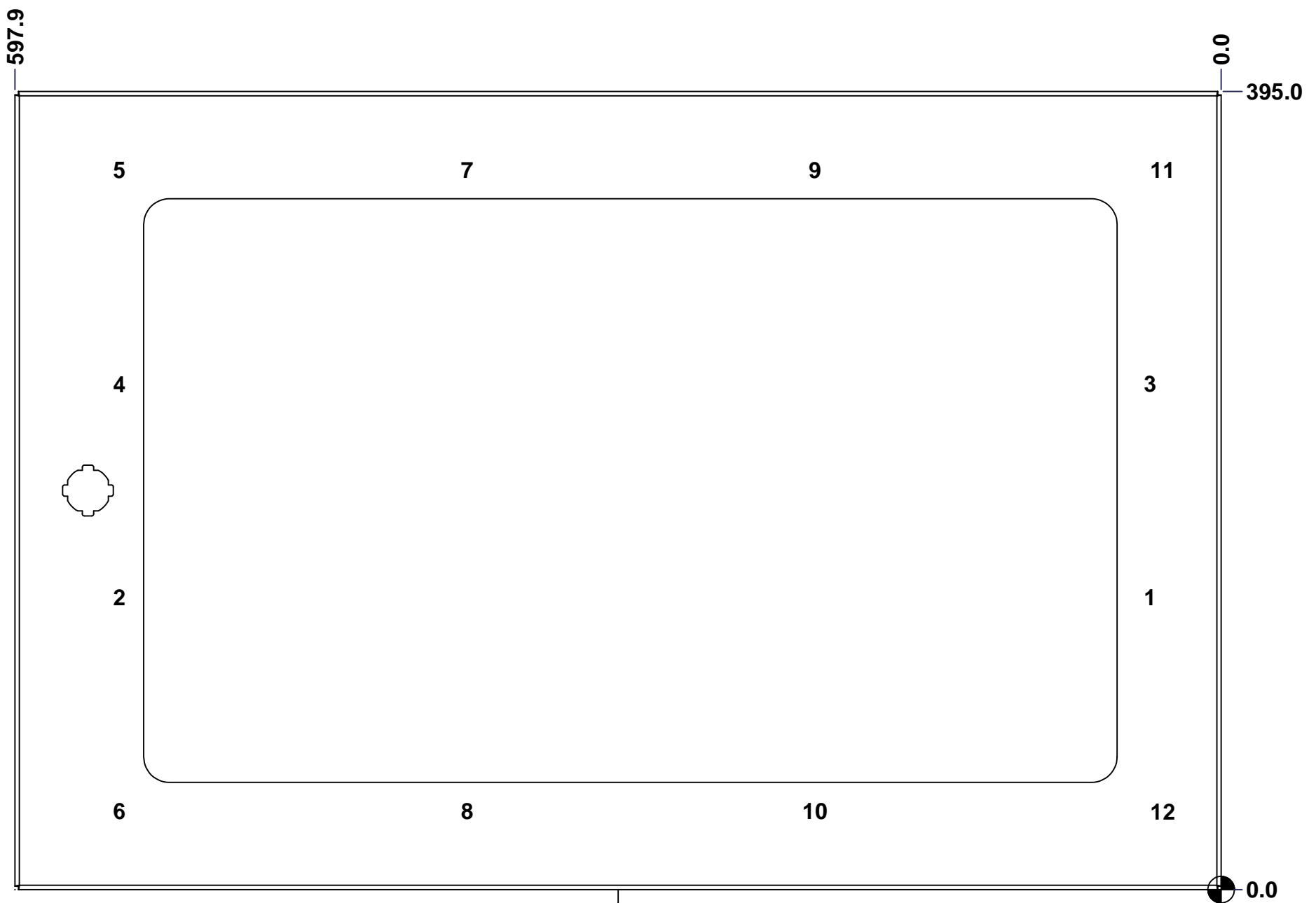
This drawing is confidential and must not be reproduced or used without the consent of EXM

Ce dessin est confidentiel et ne doit pas être reproduit ou utilisé sans le consentement de EXM

**STANDARD FEATURES ARE NOT LISTED IN THIS HOLE TABLE**

**HOLE TABLE - FRONT VIEW (CUSTOM FEATURE ONLY)**

CUT-OUT	XDIM	YDIM	DESCRIPTION
1	560.6	144.6	STUD M6 x 18mm (Inside)
2	49.5	144.6	STUD M6 x 18mm (Inside)
3	560.6	250.4	STUD M6 x 18mm (Inside)
4	49.5	250.4	STUD M6 x 18mm (Inside)
5	49.5	356.2	STUD M6 x 18mm (Inside)
6	49.5	38.8	STUD M6 x 18mm (Inside)
7	222.0	356.2	STUD M6 x 18mm (Inside)
8	222.0	38.8	STUD M6 x 18mm (Inside)
9	394.5	356.2	STUD M6 x 18mm (Inside)
10	394.5	38.8	STUD M6 x 18mm (Inside)
11	567.0	356.2	STUD M6 x 18mm (Inside)
12	567.0	38.8	STUD M6 x 18mm (Inside)



FRONT

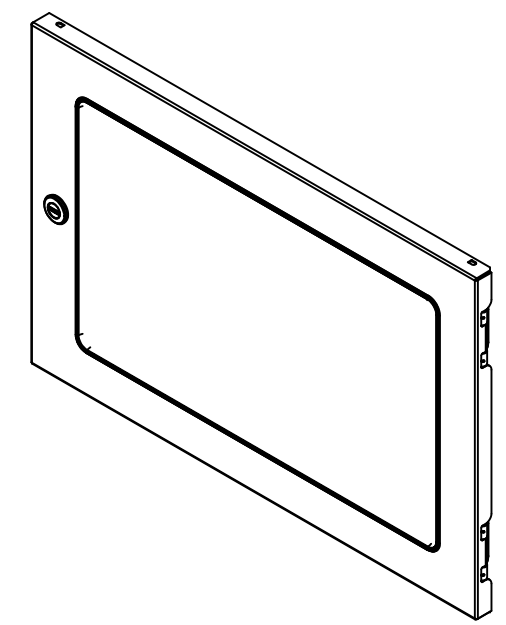
	Description	Status	
	6412ESW 400mm x 600mm Cover	(NULL)	
	Part Number Numéro Pièce	Rev.	
	<b>6412ESW060420C</b>	<b>1</b>	2 3



This drawing is confidential and must not be reproduced or used without the consent of EXM

Ce dessin est confidentiel et ne doit pas être reproduit ou utilisé sans le consentement de EXM


No.	Revisions	Date	By/Par
1		15/08/2014	



Isometric View

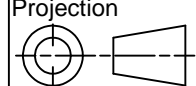


Qty	Part Name	Rev	Description
1	STK-P-03820R	0	Powder Paint (Light Grey / Rough Textured)
1	STK-A-60703	0	5412 ESW Lexan Bracket Kit
12	STK-Q-16055	1	M6 x 18mm Stud (No Paint Cap Required)
1	STK-G-02705	0	880 HWKG - Windows Kit Gasket
1	6412ESW060420LXG	1	6412ESW 15.748031496063" x 23.6220472440945" Lexan Gasket
1	6412ESW060420LX	1	6412ESW 15.748031496063" x 23.6220472440945" Window Lexan
1	880 SCQ4-SL	0	5412 ES 1/4 Turn Lock
1	6412ESW060420G	1	6412ESW 15.748031496063" x 23.6220472440945" Cover Gasket
1	6412ESW060420C-P	1	6412ESW 400mm x 600mm Cover Part
2	STK-K-09800	5	5412 ES Hinge with 2 Captive Hinge Pins
8	STK-Q-60700	3	880 WK Lexan 1/4" Fixing Bracket



Tél: (450) 979-4373  
Fax: (450) 979-4626  
[www.exmweb.com](http://www.exmweb.com)

Flatness  
Aplatissement  
Max 3.0mm

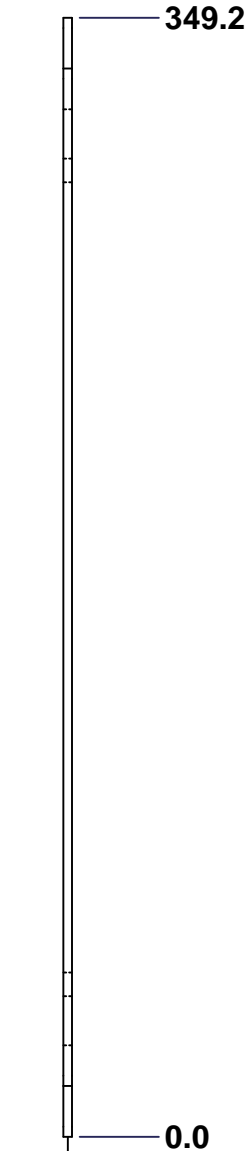
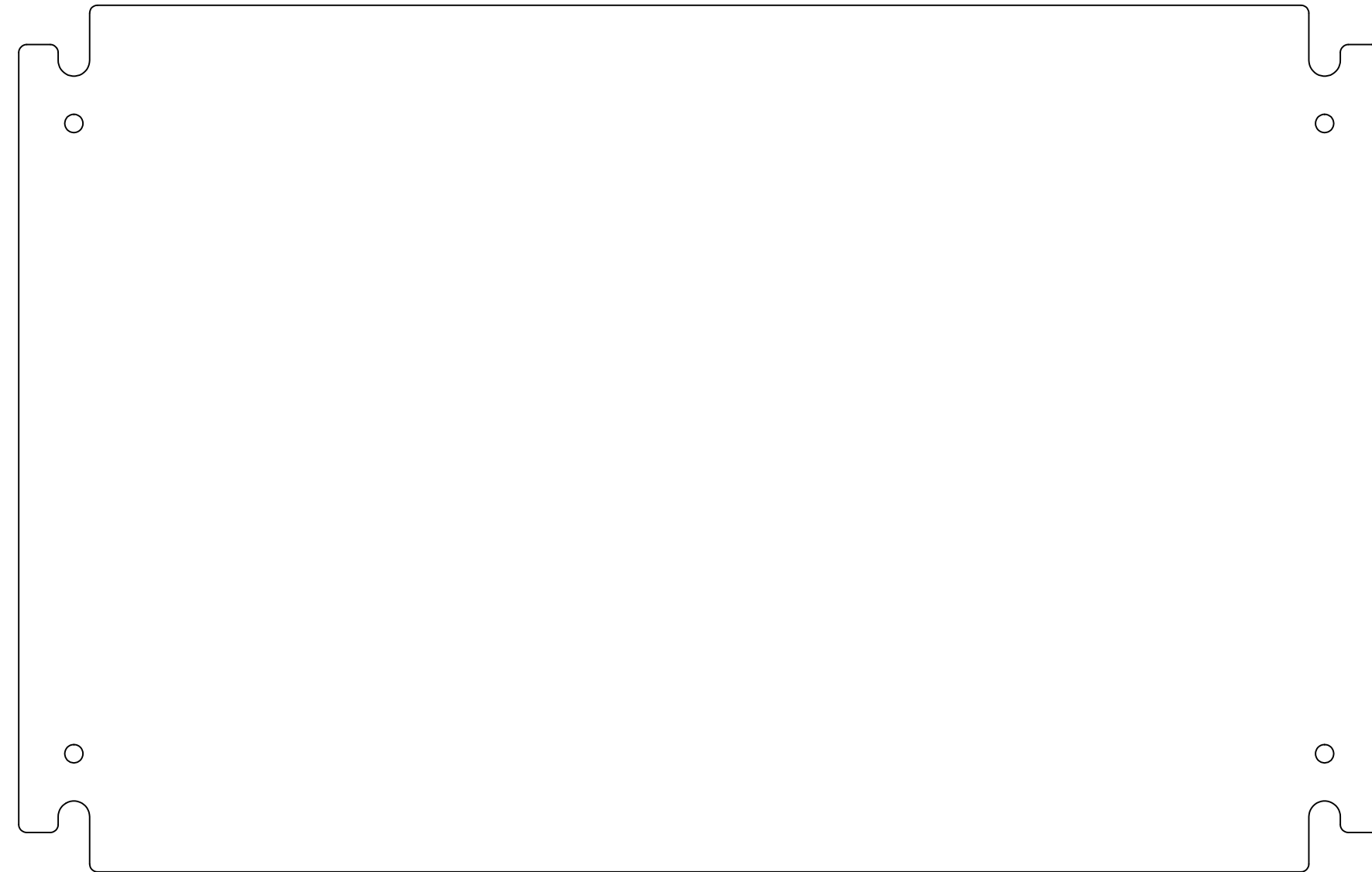
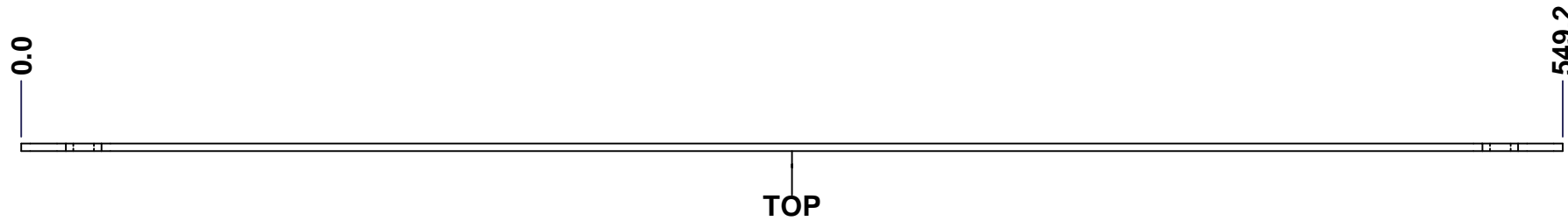
Projection  


Customer Client		Date
Drawn By / Dessiné Par: BoxCad: Annie		Date: 07/05/2013
Material / Matière: 16 Ga H.R.P. & O. (1.4mm)		
Color / Couleur: Light Grey RAL7035	Finish / Fini: Rough Textured	
Description: 6412ESW 400mm x 600mm Cover		Detail Rev.
Part Number / Numéro Pièce: <b>6412ESW060420C</b>		Rev. 3
		<b>1</b>

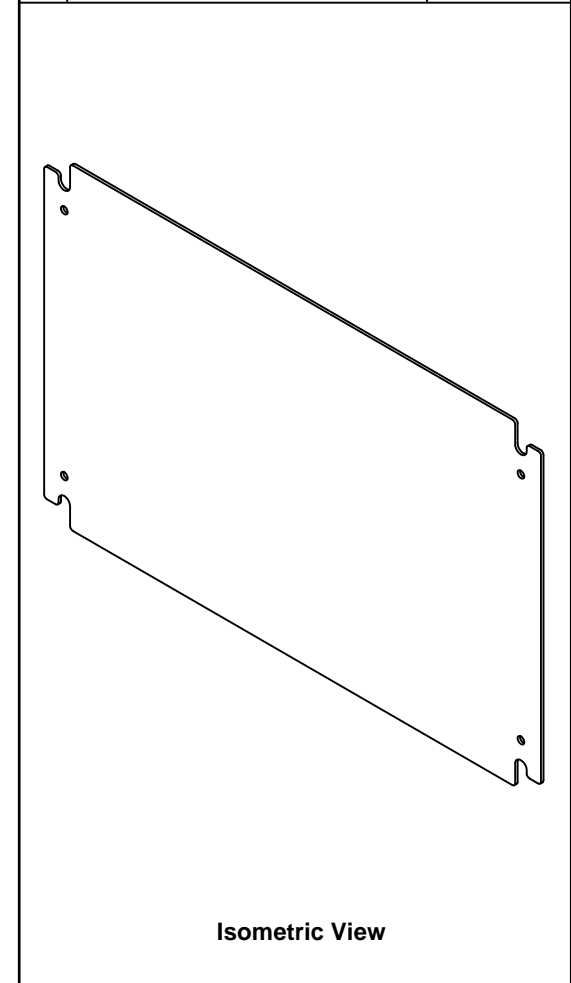
Parts List


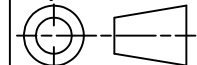
This drawing is confidential and must not be reproduced or used without the consent of EXM

Ce dessin est confidentiel et ne doit pas être reproduit ou utilisé sans le consentement de EXM



No.	Revisions	Date	By/Par
1		15/08/2014	



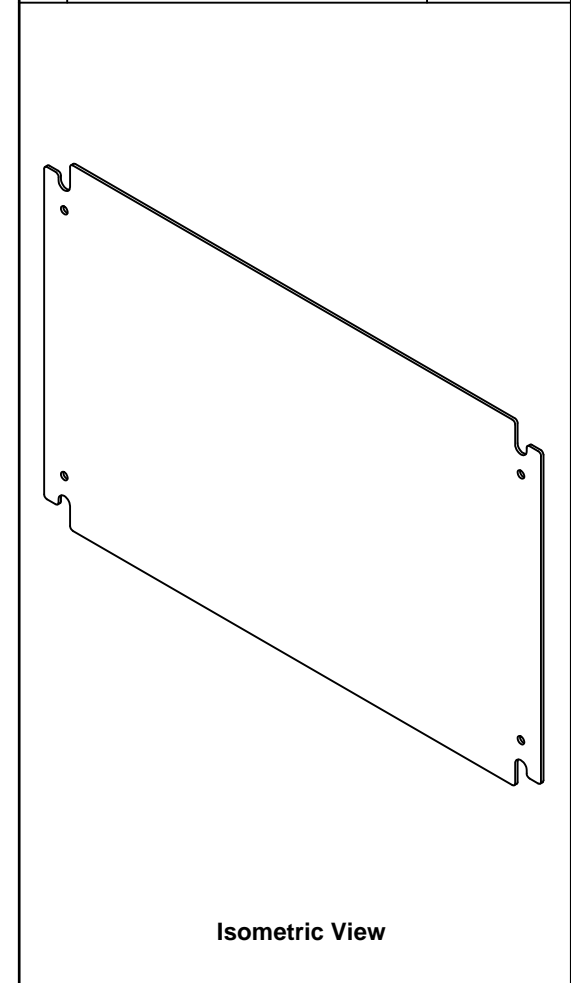
 Tél: (450) 979-4373 Fax: (450) 979-4626 <a href="http://www.exmweb.com">www.exmweb.com</a>		Flatness Aplatissement Max 3.0mm Projection 
Customer Client	Date	
Drawn By Dessiné Par	BoxCad: Annie	Date 07/05/2013
Material Matière	12 Ga Galvanized (2.5mm)	
Color Couleur	Unpainted	Finish Fin: Unpainted
Description	Detail Rev.	
6412ESW 400mm x 600mm Inner Panel Part		
Part Number Numéro Pièce	Rev. 1	3
<b>6412ESW060420IP</b>	<b>1</b>	


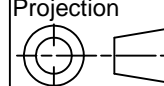
SEE BILL OF MATERIAL ON LAST PAGE

This drawing is confidential and must not be reproduced or used without the consent of EXM

Ce dessin est confidentiel et ne doit pas être reproduit ou utilisé sans le consentement de EXM

No.	Revisions	Date	By/Par
1		15/08/2014	



 Tél: (450) 979-4373 Fax: (450) 979-4626 <a href="http://www.exmweb.com">www.exmweb.com</a>		Flatness Aplatissement Max 3.0mm Projection 
Customer Client	Date	
Drawn By Dessiné Par	BoxCad: Annie	Date 07/05/2013
Material Matière 12 Ga Galvanized (2.5mm)		
Color Couleur	Unpainted	Finish Fini Unpainted
Description 6412ESW 400mm x 600mm Inner Panel Part		Detail Rev.
Part Number Numéro Pièce <b>6412ESW060420IP</b>		Rev. 3 <b>1</b> 3

Qty	Part Number	Rev	Description
1	6412ESW060420IP-P	1	6412ESW 400mm x 600mm Inner Panel Part
Parts List			