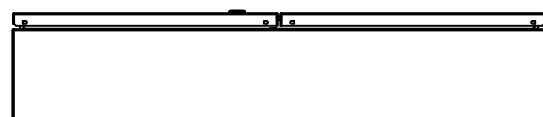
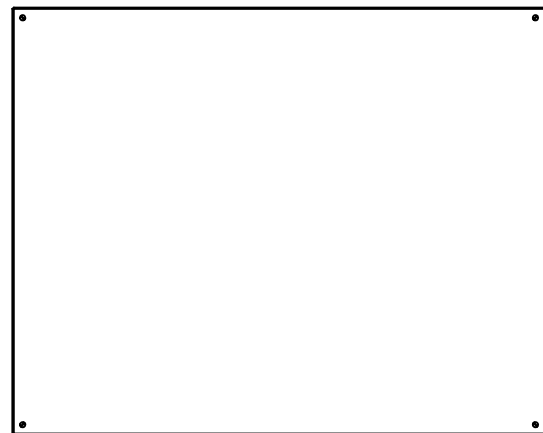


This drawing is confidential and must not be reproduced or used without the consent of EXM

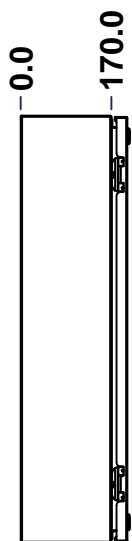
Ce dessin est confidentiel et ne doit pas être reproduit ou utilisé sans le consentement de EXM



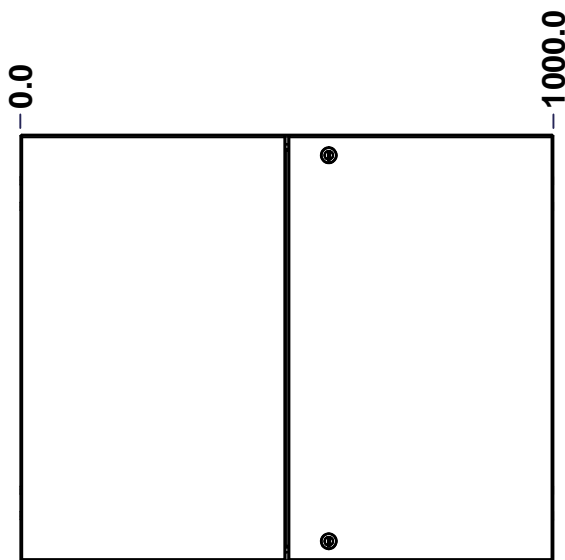
TOP



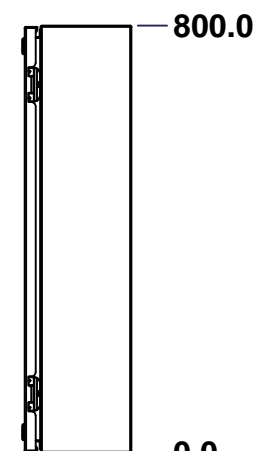
BACK



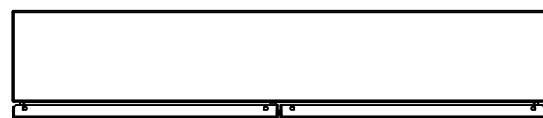
LEFT



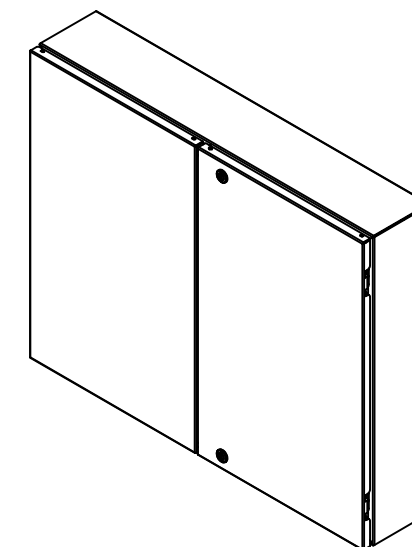
FRONT



RIGHT



No.	Revisions	Date	By/Par
1		17/09/2014	



Isometric View

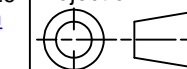


Tél: (450) 979-4373
 Fax: (450) 979-4626
www.exmweb.com

Flatness
Aplatissement

Max 3.0mm

Projection



Customer Client	Date
Drawn By / Dessiné Par: BoxCad: Annie	Date: 28/02/2014

Material / Matière: 14 Ga H.R.P. & O. (1.7mm)

Color / Couleur: Light Grey RAL7035	Finish / Fini: Rough / Textured
-------------------------------------	---------------------------------

Description: 6500ESDD 800mm x 1000mm x 170mm Enclosure Assembly

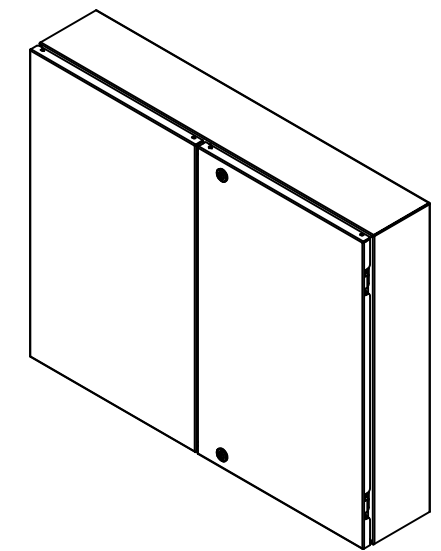
Part Number / Numéro Pièce: 6500ESDD100820	Rev. 1	1
		2

SEE BILL OF MATERIAL ON LAST PAGE

This drawing is confidential and must not be reproduced or used without the consent of EXM

Ce dessin est confidentiel et ne doit pas être reproduit ou utilisé sans le consentement de EXM


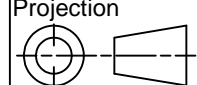
No.	Revisions	Date	By/Par
1		17/09/2014	



Isometric View



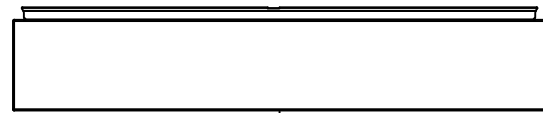
Qty	Part Number	Rev	Description
1	880 PP	0	Self Adhesive Print Pocket
1	STK-K-01800	0	5412 ES Accessory Kit
1	6500ESDD100820FD	1	6500ESDD 800mm x 1000mm Flange Door
1	6500ESDD100820LD	1	6500ESDD 800mm x 1000mm Lock Door
6	STK-Q-07310	2	Flange Lock Nut M8
1	6500ESDD100820IP	1	6500ESDD 800mm x 1000mm Inner Panel
6	STK-Q-07610	7	M8 Plastic Spacer 22.2mm
1	6500ESDD100820B	1	6500ESDD 800mm x 1000mm x 170mm Body
4	STK-Q-04050-07	5	M6 x 7mm Hexagon Socket Head Machine Screw with Nyseal
2	STK-Q-04050-10	5	M6 x 10mm Hexagon Socket Head Machine Screw with Nyseal
2	STK-Q-74760	0	5500 ESDD - Flange Door Sealing Block

 Tél: (450) 979-4373 Fax: (450) 979-4626 www.exmweb.com		Flatness Aplatissement Max 3.0mm Projection 
Customer Client	Date	
Drawn By Dessiné Par	BoxCad: Annie	Date 28/02/2014
Material Matière	14 Ga H.R.P. & O. (1.7mm)	
Color Couleur	Light Grey RAL7035	Finish Fini Rough Textured
Description	Detail Rev.	
6500ESDD 800mm x 1000mm x 170mm Enclosure Assembly		
Part Number Numéro Pièce	Rev.	2
6500ESDD100820	1	2

Parts List

This drawing is confidential and must not be reproduced or used without the consent of EXM

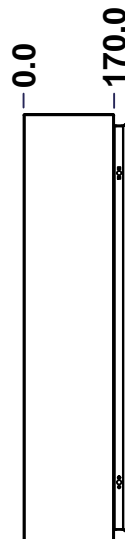
Ce dessin est confidentiel et ne doit pas être reproduit ou utilisé sans le consentement de EXM



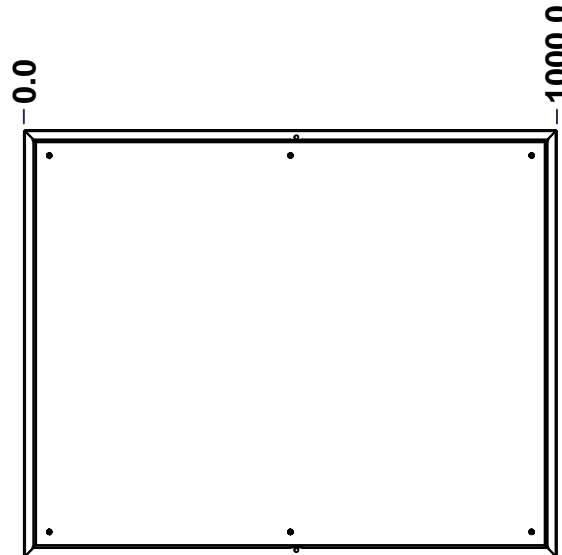
TOP



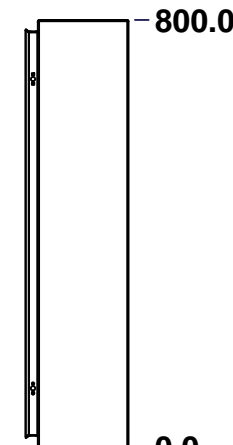
BACK



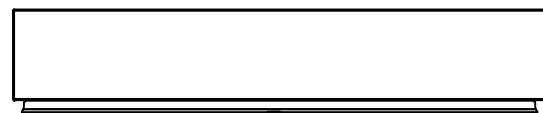
LEFT



FRONT

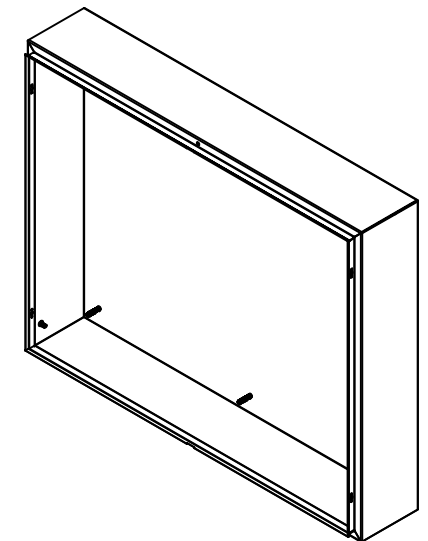


RIGHT



BOTTOM

No.	Revisions	Date	By/Par
1		17/09/2014	



Isometric View

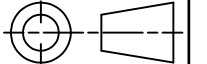


Tél: (450) 979-4373
 Fax: (450) 979-4626
www.exmweb.com

Flatness
Aplatissement

Max 3.0mm

Projection



Customer Client	Date
Drawn By Dessiné Par BoxCad	Date 28/02/2014

Material Matière 14 Ga H.R.P. & O. (1.7mm)

Color Couleur Light Grey RAL7035	Finish Fini Rough Textured
----------------------------------	----------------------------

Description 6500ESDD 800mm x 1000mm x 170mm Body

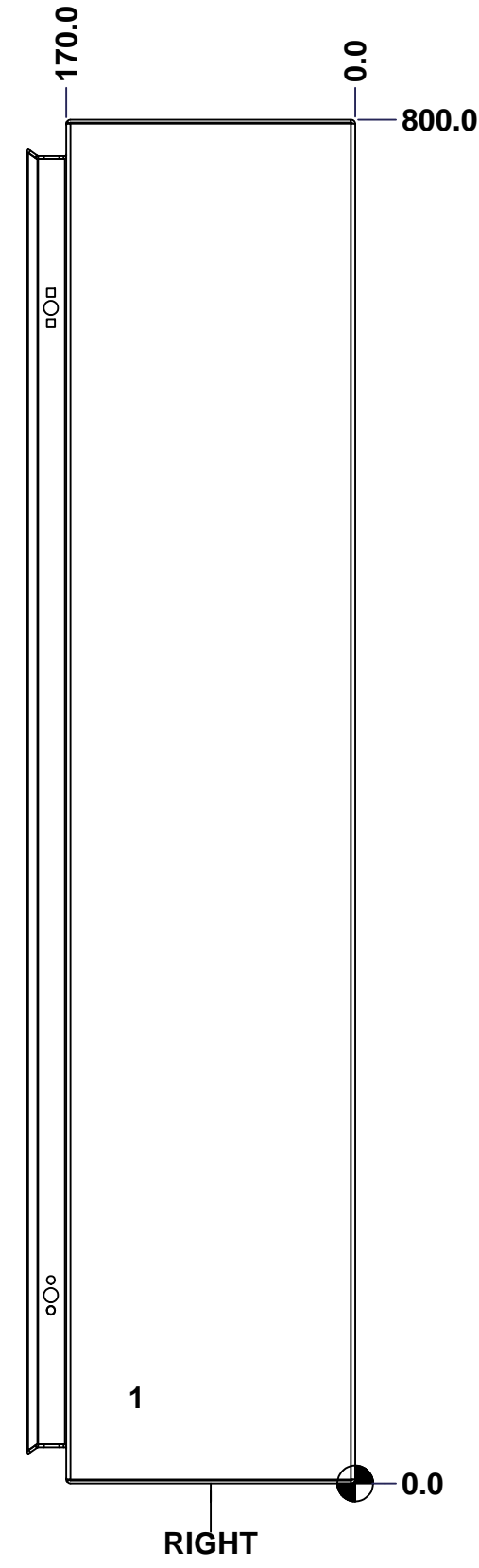
Part Number Numéro Pièce	Rev. 1	1
6500ESDD100820B	1	7

SEE BILL OF MATERIAL ON LAST PAGE

This drawing is confidential and must not be reproduced or used without the consent of EXM

Ce dessin est confidentiel et ne doit pas être reproduit ou utilisé sans le consentement de EXM

STANDARD FEATURES ARE NOT LISTED IN THIS HOLE TABLE			
HOLE TABLE - RIGHT VIEW (CUSTOM FEATURE ONLY)			
CUT-OUT	XDIM	YDIM	DESCRIPTION
1	131.9	50.8	GND STUD M6 x 16mm (Inside)

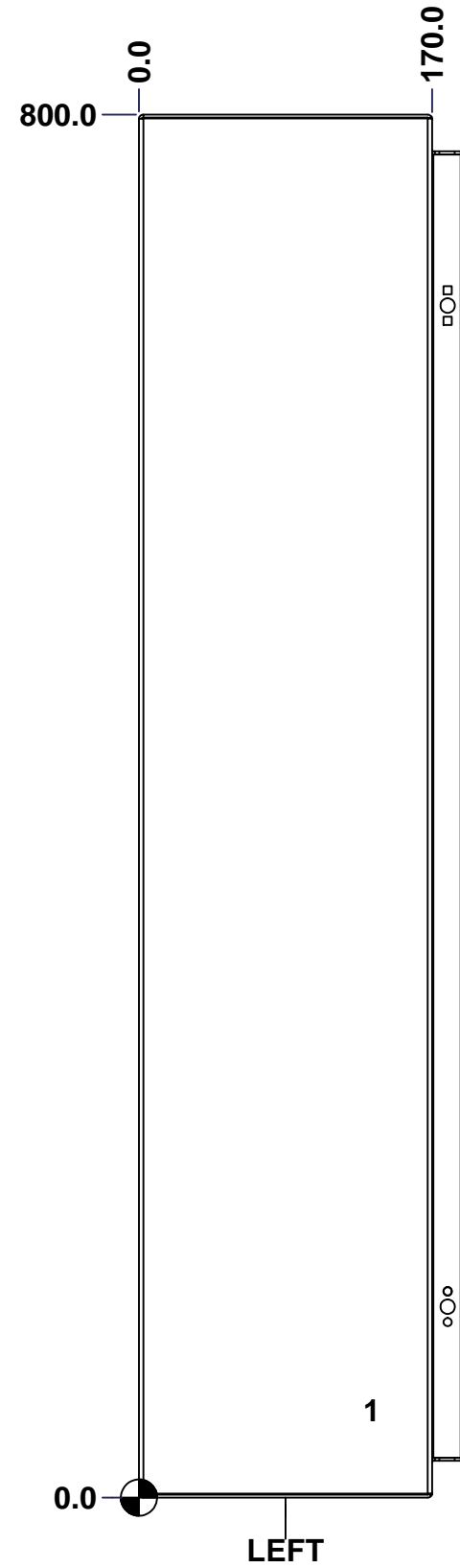


	Description 6500ESDD 800mm x 1000mm x 170mm Body		Status Released	
	Part Number Numéro Pièce 6500ESDD100820B		Rev. 1	3 7

This drawing is confidential and must not be reproduced or used without the consent of EXM

Ce dessin est confidentiel et ne doit pas être reproduit ou utilisé sans le consentement de EXM

STANDARD FEATURES ARE NOT LISTED IN THIS HOLE TABLE			
HOLE TABLE - LEFT VIEW (CUSTOM FEATURE ONLY)			
CUT-OUT	XDIM	YDIM	DESCRIPTION
1	131.9	50.8	GND STUD M6 x 16mm (Inside)



	Description 6500ESDD 800mm x 1000mm x 170mm Body		Status Released
	Part Number Numéro Pièce 6500ESDD100820B		Rev. 1 / 5 / 7

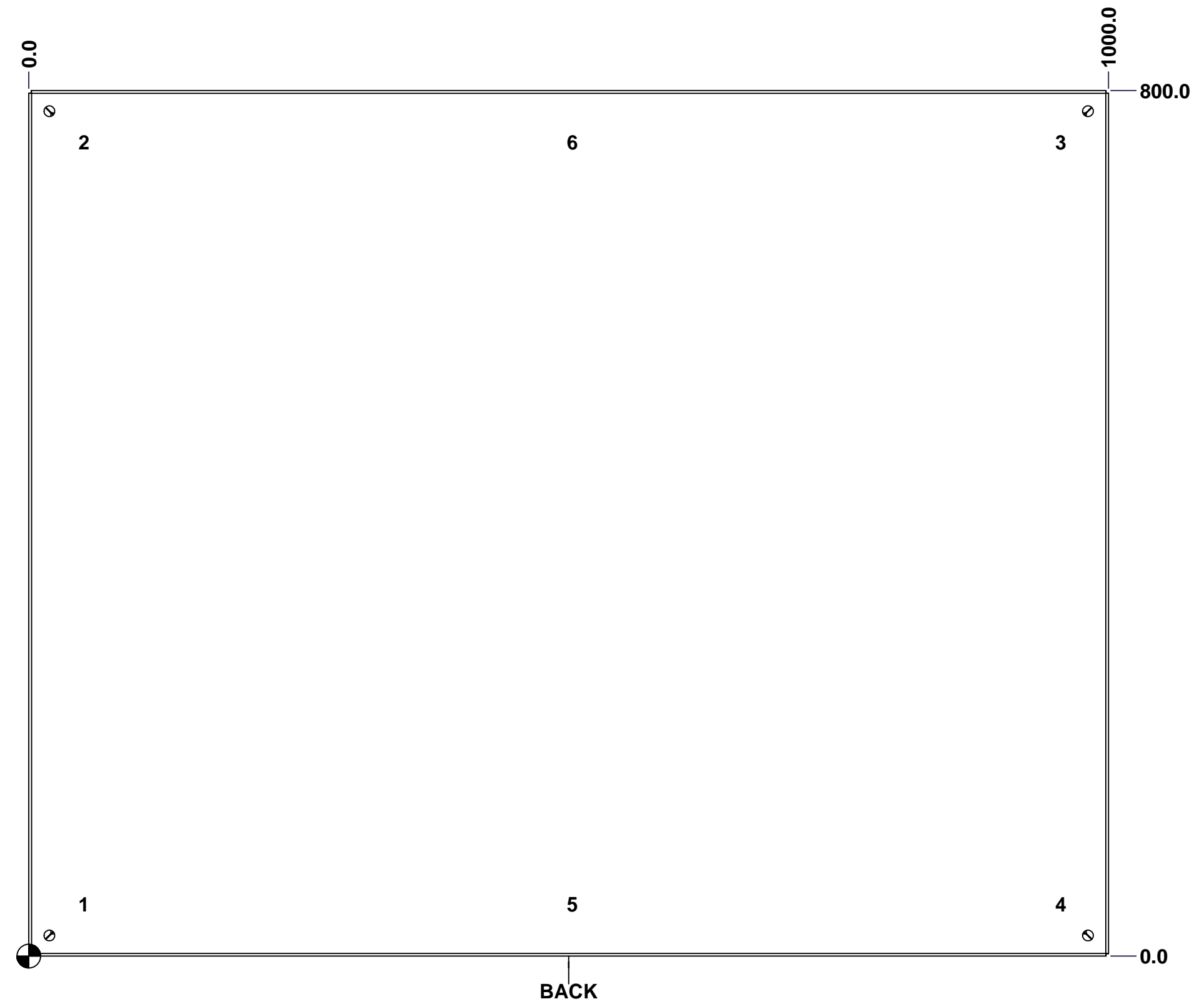
This drawing is confidential and must not be reproduced or used without the consent of EXM

Ce dessin est confidentiel et ne doit pas être reproduit ou utilisé sans le consentement de EXM

STANDARD FEATURES ARE NOT LISTED IN THIS HOLE TABLE

HOLE TABLE - BACK VIEW (CUSTOM FEATURE ONLY)

CUT-OUT	XDIM	YDIM	DESCRIPTION
1	47.6	47.6	IP STUD M8 x 35mm (Inside)
2	47.6	752.4	IP STUD M8 x 35mm (Inside)
3	952.4	752.4	IP STUD M8 x 35mm (Inside)
4	952.4	47.6	IP STUD M8 x 35mm (Inside)
5	500.0	47.6	IP STUD M8 x 35mm (Inside)
6	500.0	752.4	IP STUD M8 x 35mm (Inside)

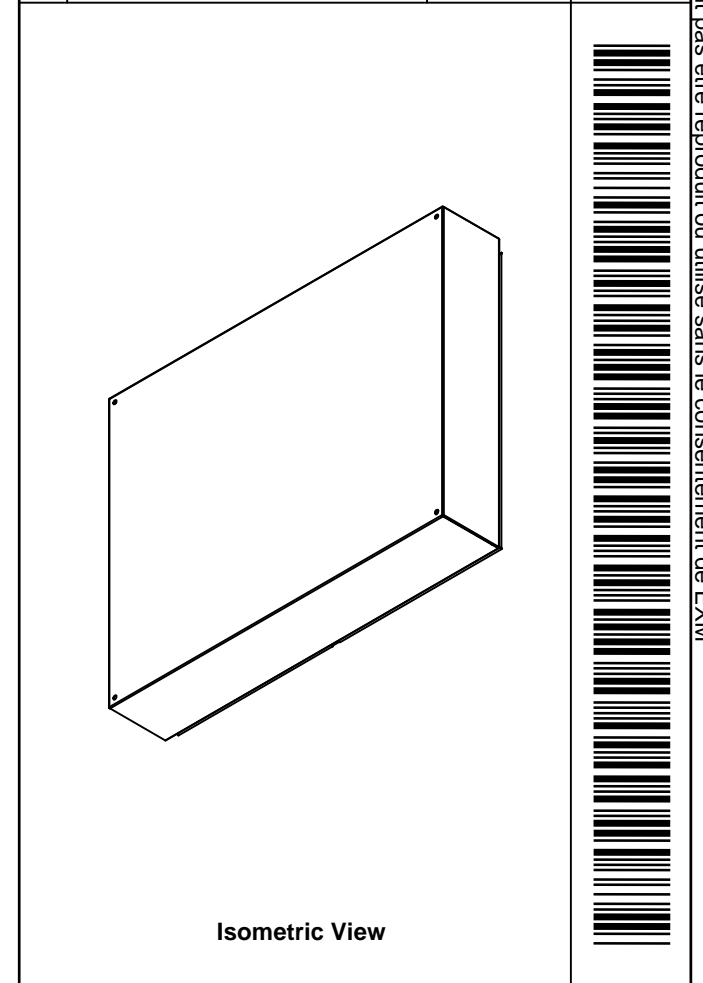



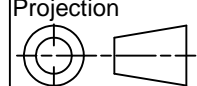
	Description 6500ESDD 800mm x 1000mm x 170mm Body	Status Released
	Part Number Numéro Pièce 6500ESDD100820B	Rev. 6 1 / 7

This drawing is confidential and must not be reproduced or used without the consent of EXM

Ce dessin est confidentiel et ne doit pas être reproduit ou utilisé sans le consentement de EXM

No.	Revisions	Date	By/Par
1		17/09/2014	

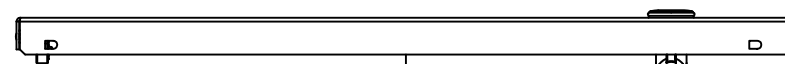


 Tél: (450) 979-4373 Fax: (450) 979-4626 www.exmweb.com		Flatness Aplatissement Max 3.0mm Projection 
Customer Client	Date	
Drawn By Dessiné Par	BoxCad	Date 28/02/2014
Material Matière	14 Ga H.R.P. & O. (1.7mm)	
Color Couleur	Light Grey RAL7035	Finish Fini
		Rough Textured
Description 6500ESDD 800mm x 1000mm x 170mm Body		Detail Rev.
Part Number Numéro Pièce	6500ESDD100820B	Rev. 7
		1 / 7

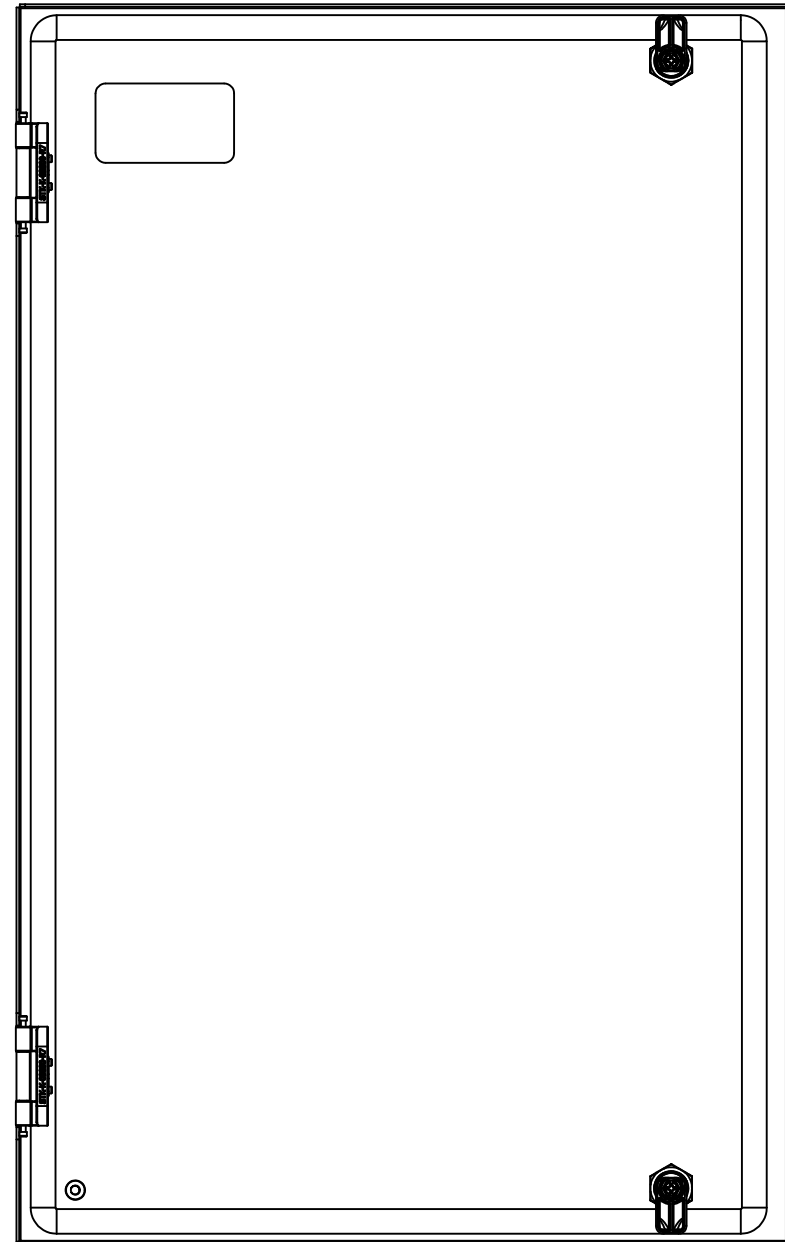
Qty	Part Number	Rev	Description
6	STK-Q-16005	1	Stud M8 x 35 (No Paint Cap Required)
2	STK-Q-16080	0.1.1	M6 x 16mm Ground Stud
1	STK-P-03820R	0	Powder Paint (Light Grey / Rough Textured)
1	6500ESDD100820B-P	1	6500ESDD 800mm x 1000mm x 170mm Body Part
Parts List			

This drawing is confidential and must not be reproduced or used without the consent of EXM

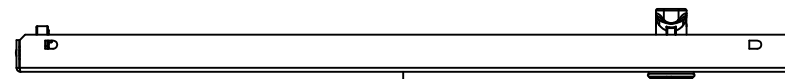
Ce dessin est confidentiel et ne doit pas être reproduit ou utilisé sans le consentement de EXM



TOP



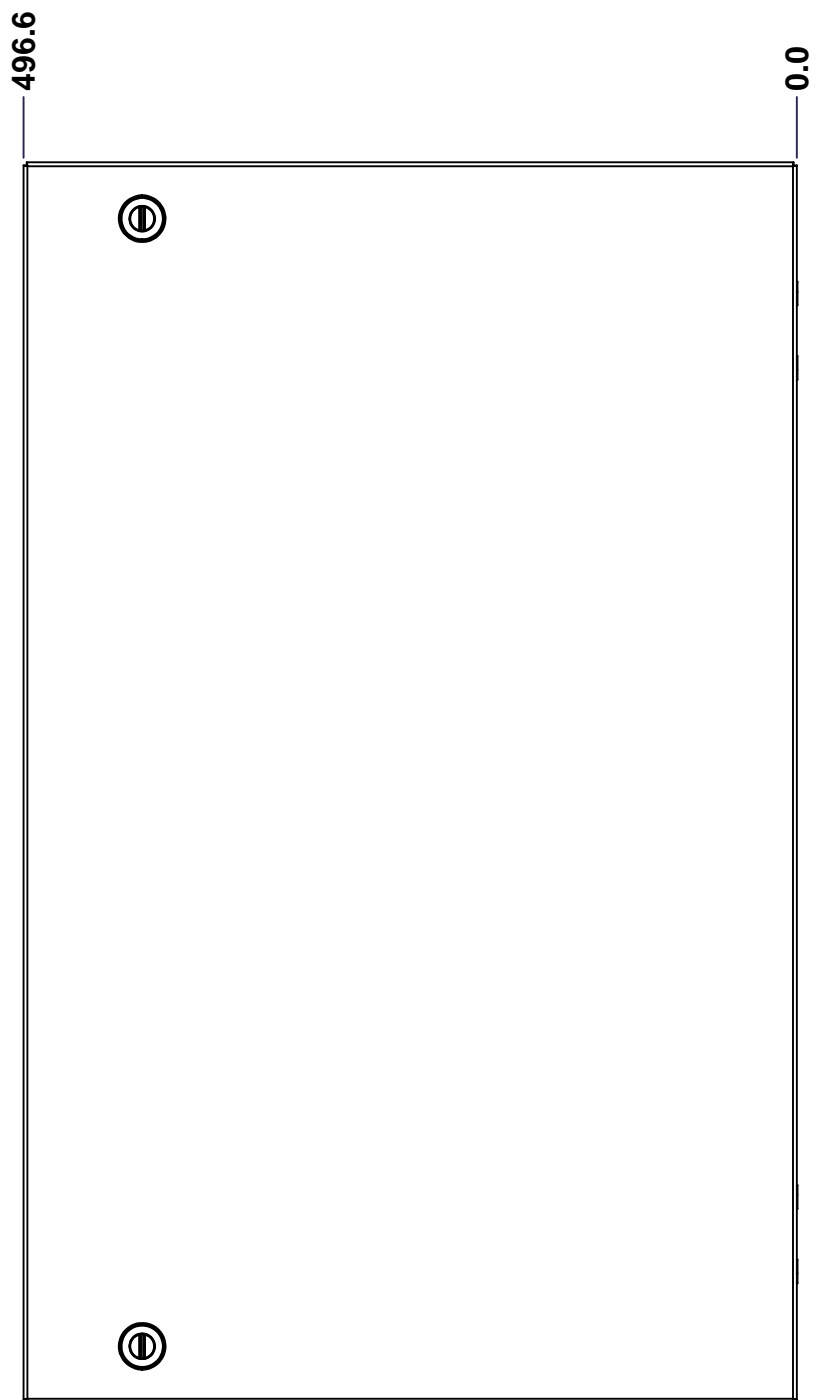
BACK



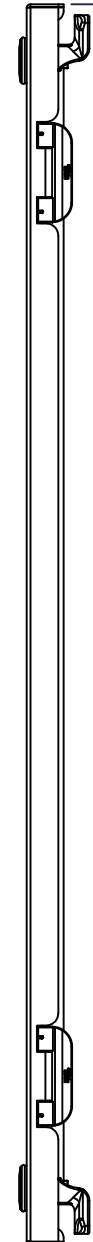
BOTTOM



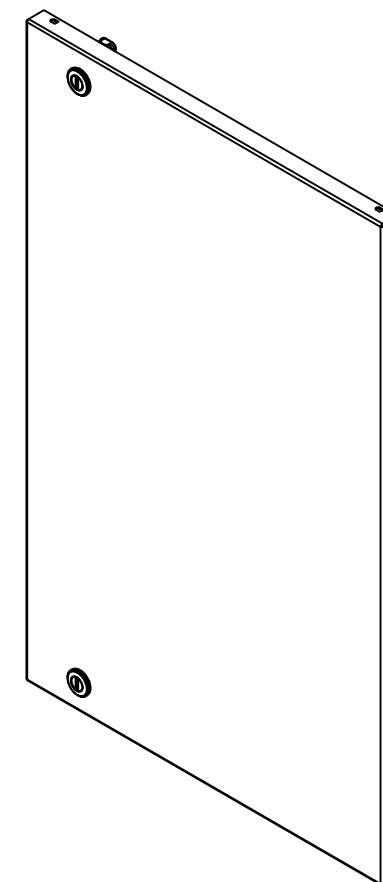
LEFT



FRONT




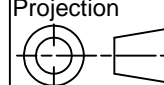
0.0



Isometric View



No.	Revisions	Date	By/Par
1		17/09/2014	

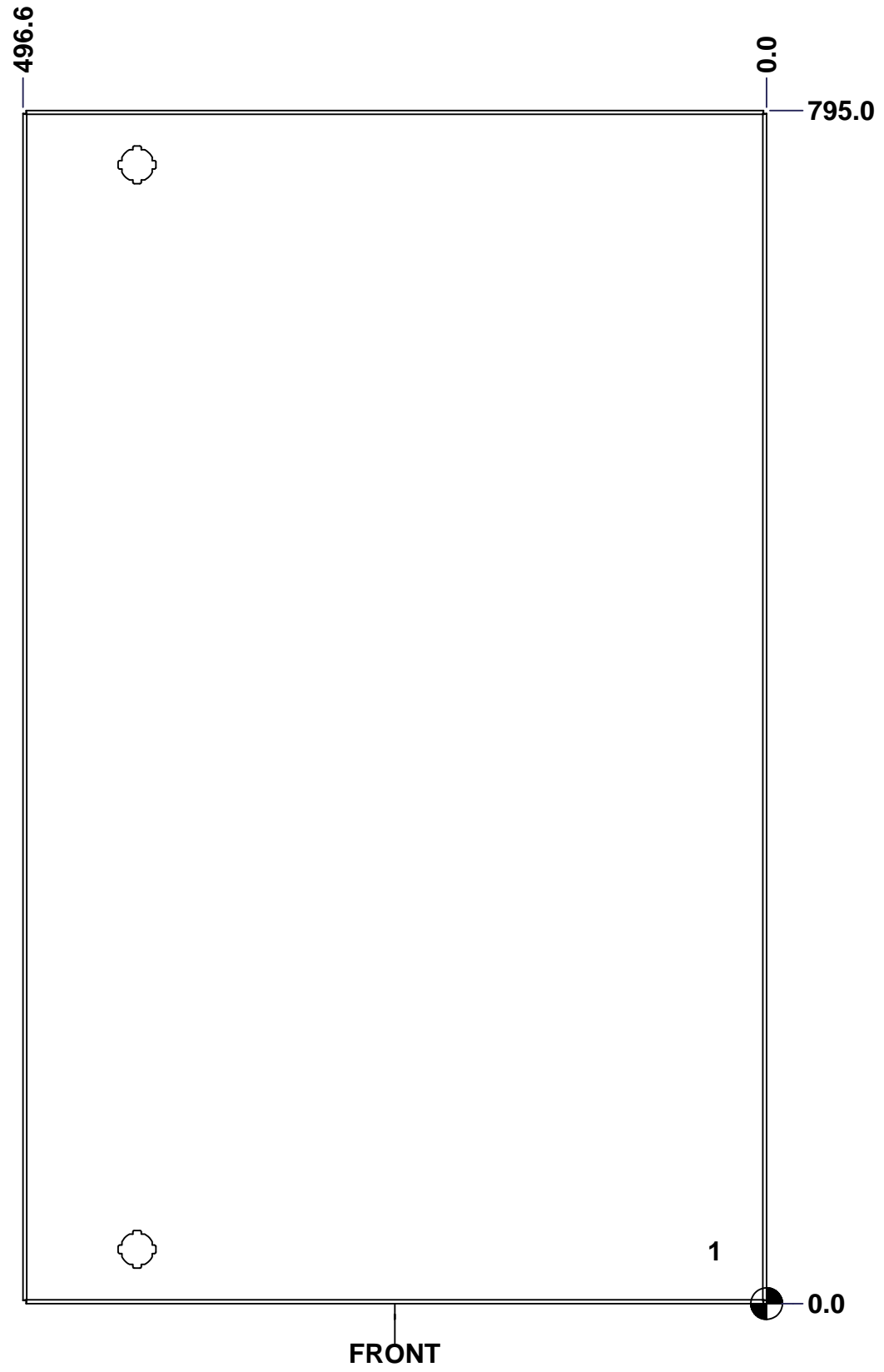
 Tél: (450) 979-4373 Fax: (450) 979-4626 www.exmweb.com		Flatness Aplatissement Max 3.0mm Projection 
Customer Client	Date	
Drawn By Dessiné Par	BoxCad: Annie	Date 28/02/2014
Material Matière 14 Ga H.R.P. & O. (1.7mm)		
Color Couleur Light Grey RAL7035	Finish Fini Rough Textured	
Description 6500ESDD 800mm x 1000mm Lock Door		Detail Rev.
Part Number Numéro Pièce	Rev. 1	3
6500ESDD100820LD		

SEE BILL OF MATERIAL ON LAST PAGE

This drawing is confidential and must not be reproduced or used without the consent of EXM

Ce dessin est confidentiel et ne doit pas être reproduit ou utilisé sans le consentement de EXM

STANDARD FEATURES ARE NOT LISTED IN THIS HOLE TABLE			
HOLE TABLE - FRONT VIEW (CUSTOM FEATURE ONLY)			
CUT-OUT	XDIM	YDIM	DESCRIPTION
1	37.7	35.0	GND STUD M6 x 16mm (Inside)

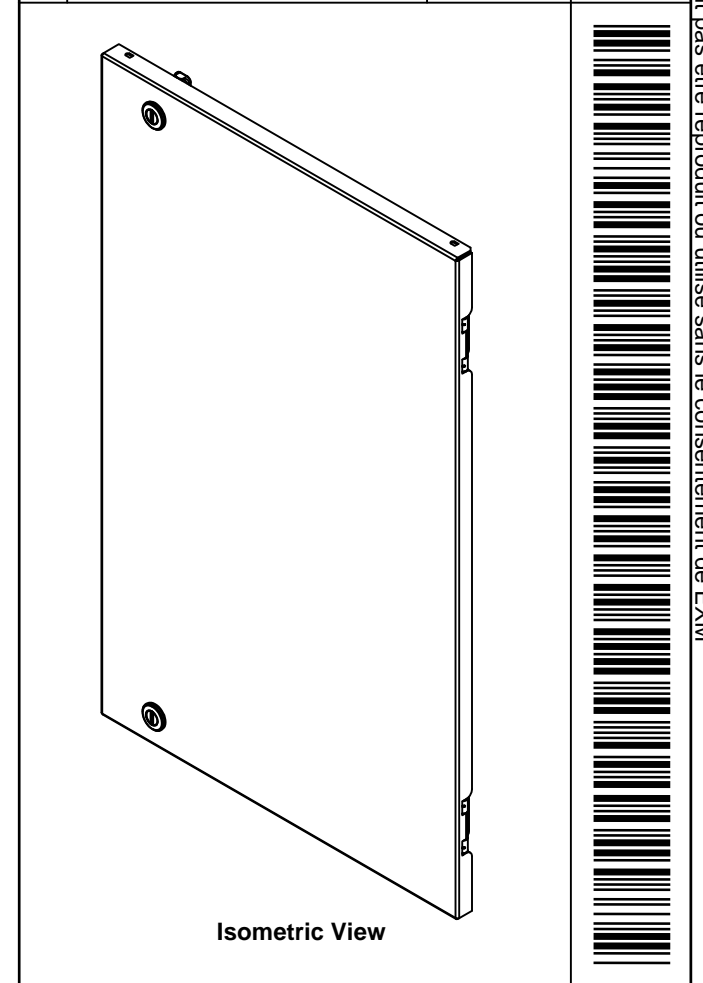



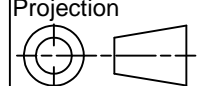
	Description	Status	
	6500ESDD 800mm x 800mm Lock Door	Released	
	Part Number Numéro Pièce	Rev.	
	6500ESDD100820LD	1	2 3

This drawing is confidential and must not be reproduced or used without the consent of EXM

Ce dessin est confidentiel et ne doit pas être reproduit ou utilisé sans le consentement de EXM

No.	Revisions	Date	By/Par
1		17/09/2014	

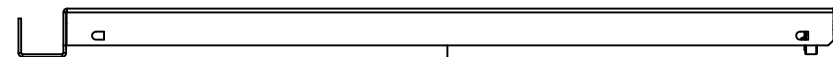


 Tél: (450) 979-4373 Fax: (450) 979-4626 www.exmweb.com		Flatness Aplatissement Max 3.0mm Projection 
Customer Client	Date	
Drawn By Dessiné Par	BoxCad: Annie	Date 28/02/2014
Material Matière	14 Ga H.R.P. & O. (1.7mm)	
Color Couleur	Light Grey RAL7035	Finish Fini Rough Textured
Description		Detail Rev.
6500ESDD 800mm x 1000mm Lock Door		
Part Number Numéro Pièce	Rev. 3	3
6500ESDD100820LD		1

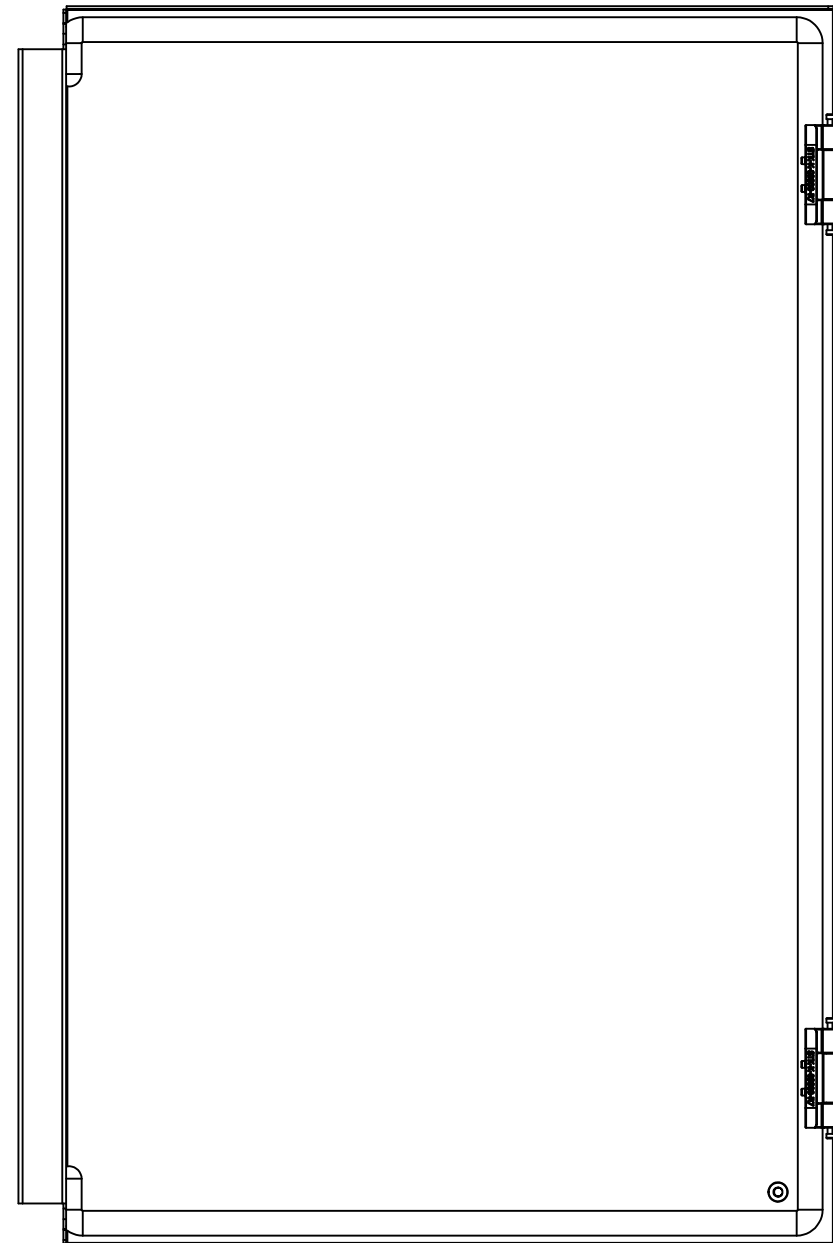
Qty	Part Number	Rev	Description
1	6500ESDD100820LDG	1	6500ESDD 800mm x 1000mm Lock Door Gasket
1	STK-S-00100	0.1. 1	3.5" x 2" Silver Milar Flexcon Sticker
1	STK-Q-16080	0.1. 1	M6 x 16mm Ground Stud
1	STK-P-03820R	0	Powder Paint (Light Grey / Rough Textured)
1	6500ESDD100820LD-P	1	6500ESDD 800mm x 1000mm Lock Door Part
2	880 SCQ4-SL	0	5412 ES 1/4 Turn Lock
2	STK-K-09800	5	5412 ES Hinge with 2 Captive Hinge Pins
Parts List			

This drawing is confidential and must not be reproduced or used without the consent of EXM

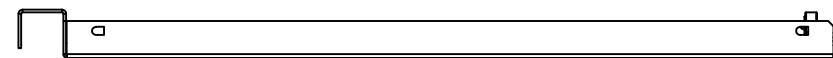
Ce dessin est confidentiel et ne doit pas être reproduit ou utilisé sans le consentement de EXM



TOP



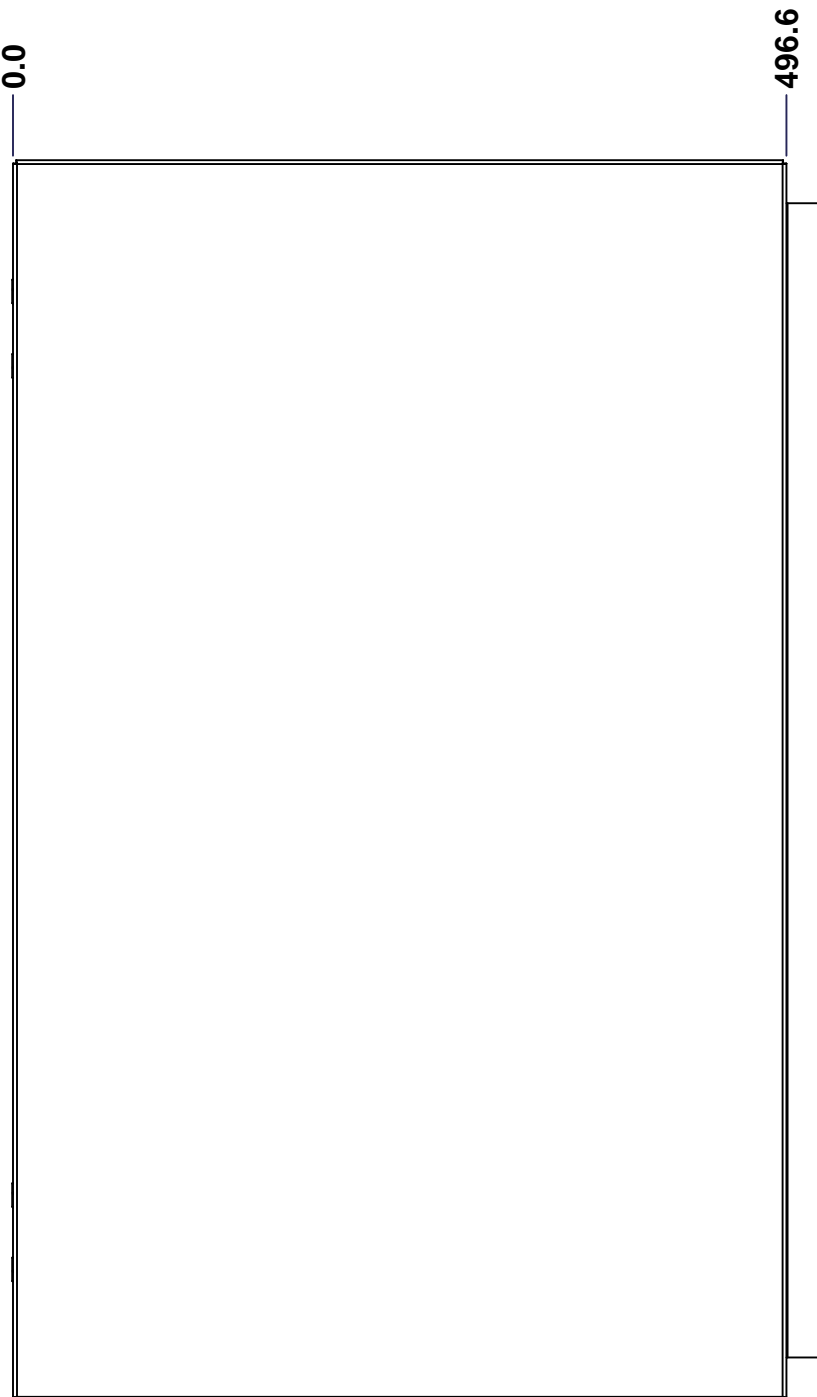
BACK



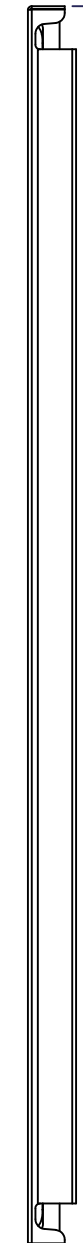
BOTTOM



LEFT



FRONT

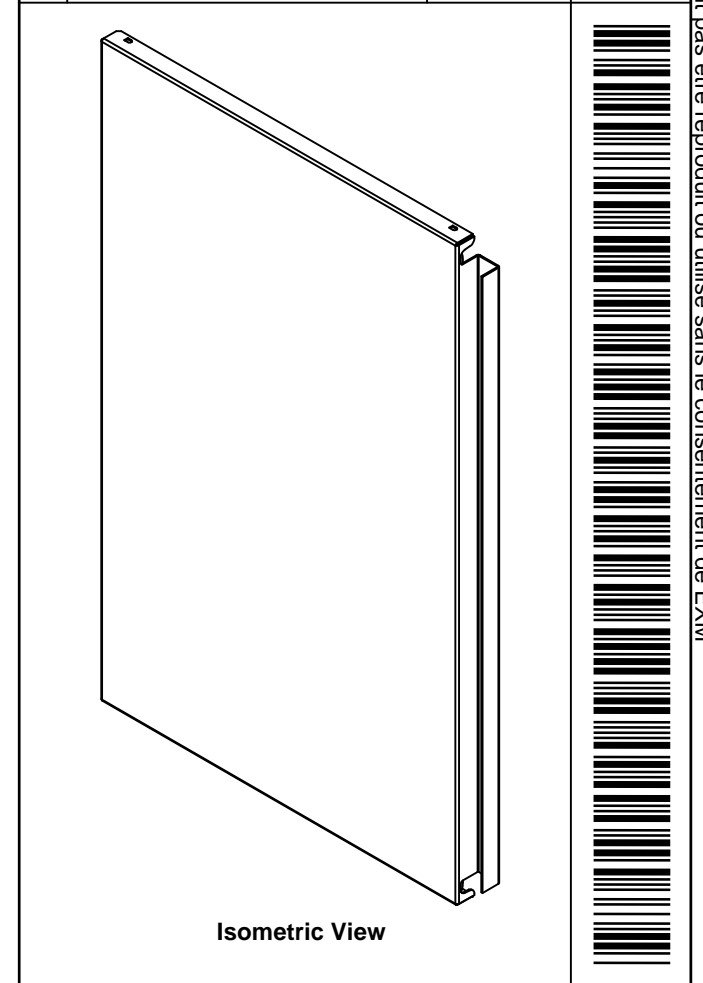




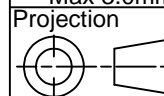
RIGHT

795.0

0.0

No.	Revisions	Date	By/Par
1		17/09/2014	



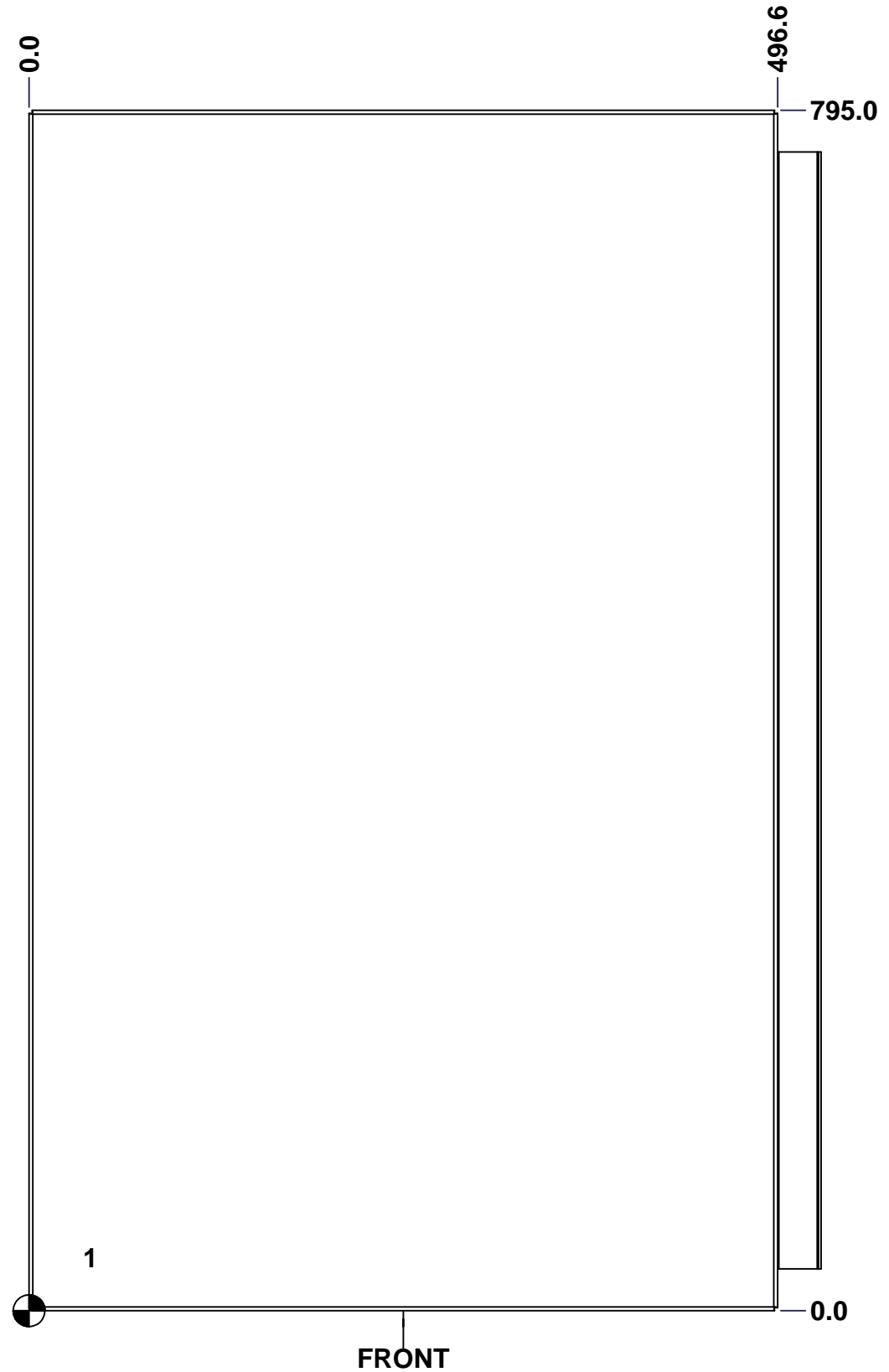
 Tél: (450) 979-4373 Fax: (450) 979-4626 www.exmweb.com		Flatness Aplatissement  Max 3.0mm	
		Projection 	
Customer Client		Date	
Drawn By Dessiné Par BoxCad: Annie		Date 28/02/2014	
Material Matière 14 Ga H.R.P. & O. (1.7mm)			
Color Couleur Light Grey RAL7035		Finish Fini Rough Textured	
Description 6500ESDD 800mm x 1000mm Flange Door			Detail Rev.
Part Number Numéro Pièce 6500ESDD100820FD		Rev. 1	1/3

SEE BILL OF MATERIAL ON LAST PAGE

This drawing is confidential and must not be reproduced or used without the consent of EXM

Ce dessin est confidentiel et ne doit pas être reproduit ou utilisé sans le consentement de EXM

STANDARD FEATURES ARE NOT LISTED IN THIS HOLE TABLE			
HOLE TABLE - FRONT VIEW (CUSTOM FEATURE ONLY)			
CUT-OUT	XDIM	YDIM	DESCRIPTION
1	37.744	34.998	GND STUD M6 x 16mm (Inside)

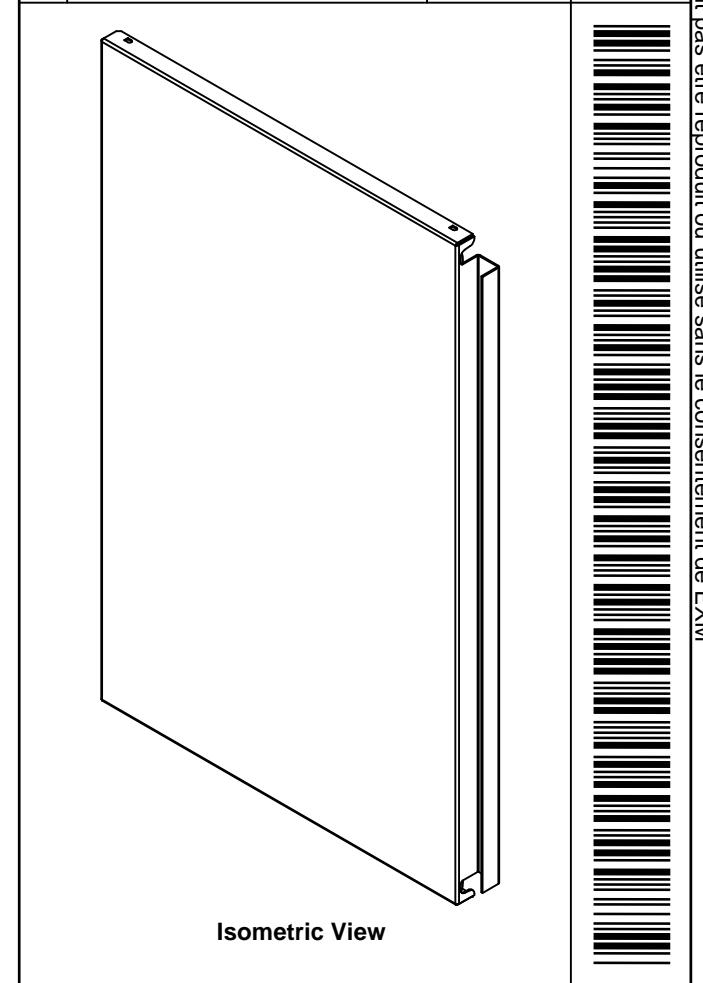



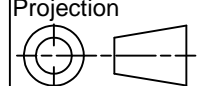
	Description	Status
	6500ESDD 800mm x 800mm Flange Door	Released
	Part Number Numéro Pièce	Rev.
	6500ESDD100820FD	1
		2
		3

This drawing is confidential and must not be reproduced or used without the consent of EXM

Ce dessin est confidentiel et ne doit pas être reproduit ou utilisé sans le consentement de EXM

No.	Revisions	Date	By/Par
1		17/09/2014	

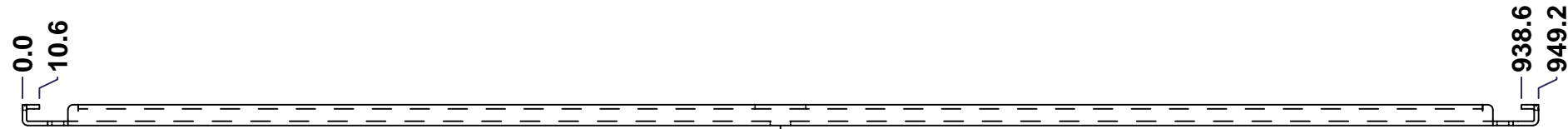


 Tél: (450) 979-4373 Fax: (450) 979-4626 www.exmweb.com		Flatness Aplatissement Max 3.0mm Projection 
Customer Client	Date	
Drawn By Dessiné Par	BoxCad: Annie	Date 28/02/2014
Material Matière	14 Ga H.R.P. & O. (1.7mm)	
Color Couleur	Light Grey RAL7035	Finish Fini Rough Textured
Description		Detail Rev.
6500ESDD 800mm x 1000mm Flange Door		
Part Number Numéro Pièce	Rev. 1	3
6500ESDD100820FD		3

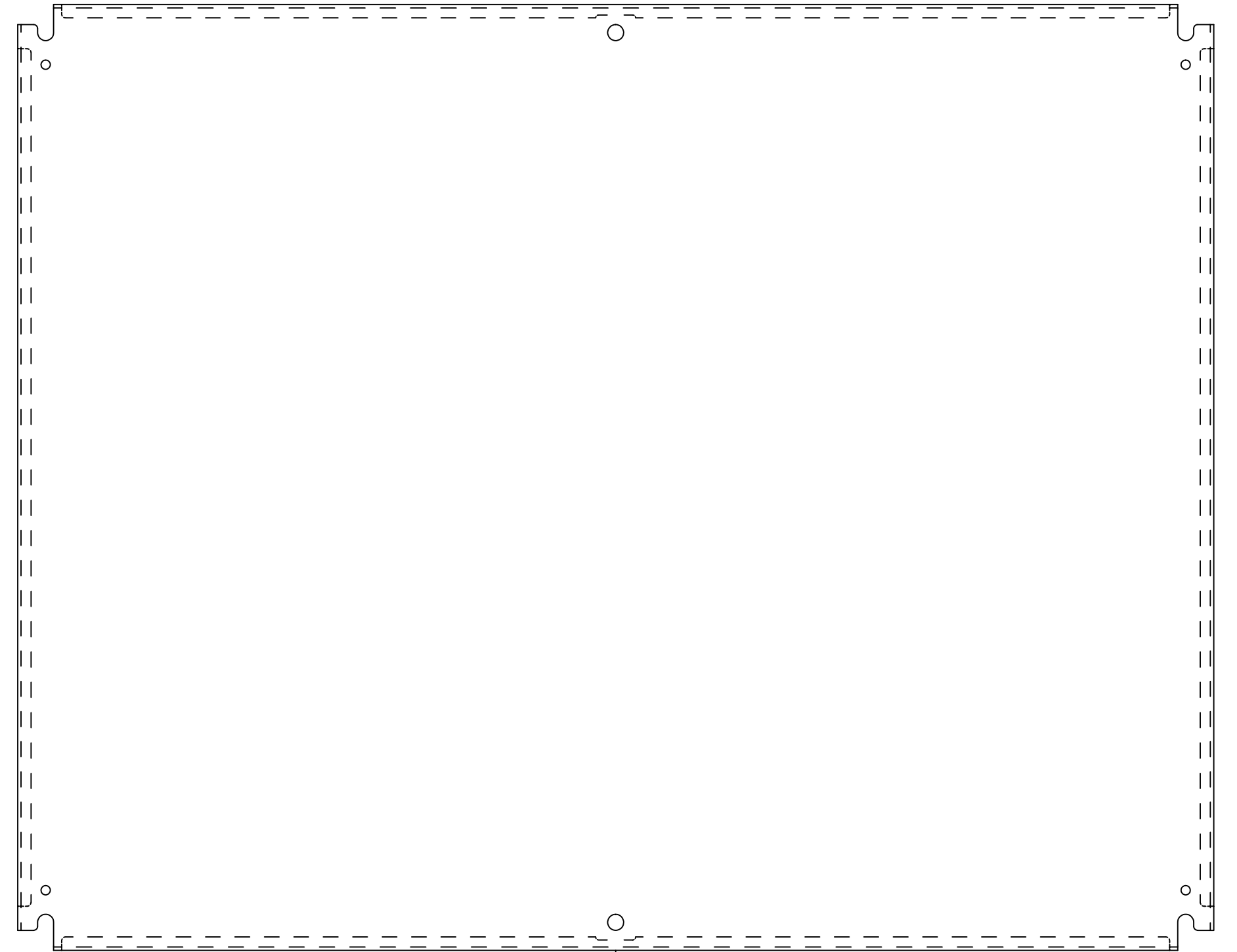
Qty	Part Name	Rev	Description
1	6500ESDD100820FDG	1	6500ESDD 800mm x 1000mm Flange Door Gasket
1	STK-Q-16080	0.1	M6 x 16mm Ground Stud
1	STK-P-03820R	1	
1	STK-K-09800	5	5412 ES Hinge with 2 Captive Hinge Pins
1	6500ESDD100820FD-P	0	Powder Paint (Light Grey / Rough Textured)
1	6500ESDD100820FD-P	1	6500ESDD 800mm x 1000mm Flange Door Part
2	STK-K-09800	5	5412 ES Hinge with 2 Captive Hinge Pins
Parts List			

This drawing is confidential and must not be reproduced or used without the consent of EXM

Ce dessin est confidentiel et ne doit pas être reproduit ou utilisé sans le consentement de EXM



TOP

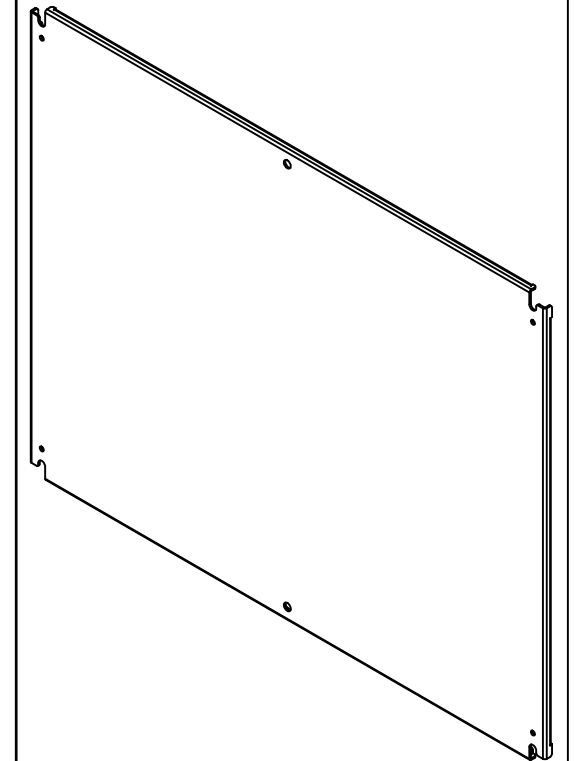


FRONT

RIGHT


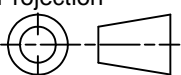
SEE BILL OF MATERIAL ON LAST PAGE

No.	Revisions	Date	By/Par
1		17/09/2014	



Isometric View

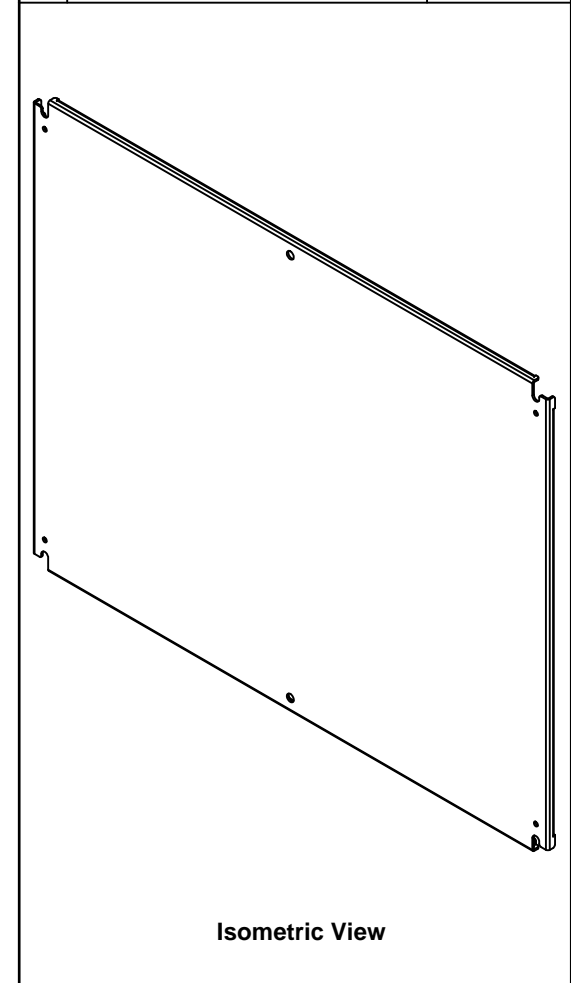



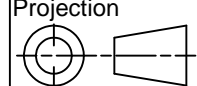
 Tél: (450) 979-4373 Fax: (450) 979-4626 www.exmweb.com		Flatness Aplatissement Max 3.0mm Projection 
Customer Client	Date	
Drawn By Dessiné Par	BoxCad: Annie	Date 28/02/2014
Material Matière	12 Ga H.R.P. & O. (2.5mm)	
Color Couleur	White RAL9003	Finish Fini Smooth
Description	Detail Rev.	
6500ESDD 800mm x 1000mm Inner Panel		
Part Number Numéro Pièce	Rev.	1
6500ESDD100820IP	1	3

This drawing is confidential and must not be reproduced or used without the consent of EXM

Ce dessin est confidentiel et ne doit pas être reproduit ou utilisé sans le consentement de EXM

No.	Revisions	Date	By/Par
1		17/09/2014	



 Tél: (450) 979-4373 Fax: (450) 979-4626 www.exmweb.com		Flatness Aplatissement Max 3.0mm Projection 
Customer Client	Date	
Drawn By Dessiné Par	BoxCad: Annie	Date 28/02/2014
Material Matière	12 Ga H.R.P. & O. (2.5mm)	
Color Couleur	White RAL9003	Finish Fini Smooth
Description	Detail Rev.	
6500ESDD 800mm x 1000mm Inner Panel	Rev.	3
Part Number Numéro Pièce	6500ESDD100820IP	1
Parts List		3

Qty	Part Number	Rev	Description
1	STK-P-02401S	0	Powder Paint (White / Smooth)
1	6500ESDD100820IP-P	1	6500ESDD 800mm x 1000mm Inner Panel Part