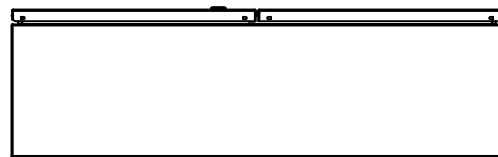


This drawing is confidential and must not be reproduced or used without the consent of EXM

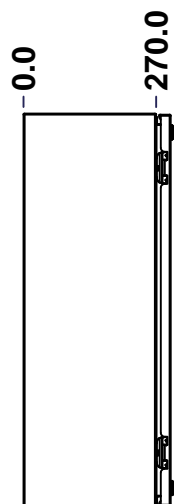
Ce dessin est confidentiel et ne doit pas être reproduit ou utilisé sans le consentement de EXM



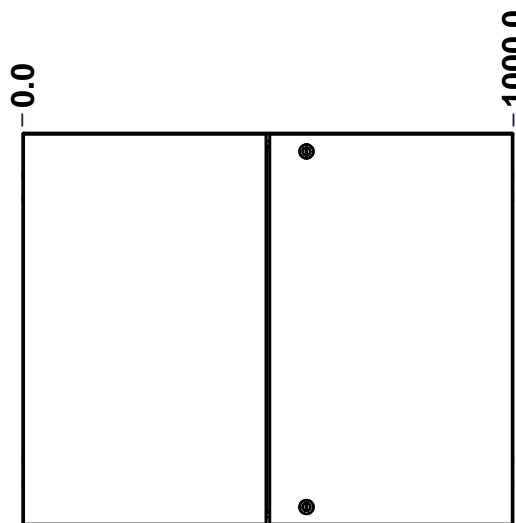
TOP



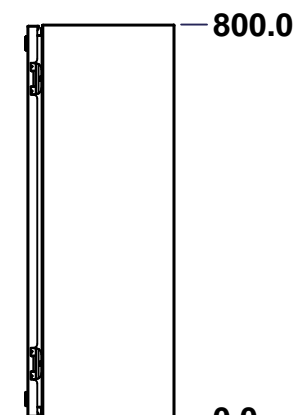
BACK



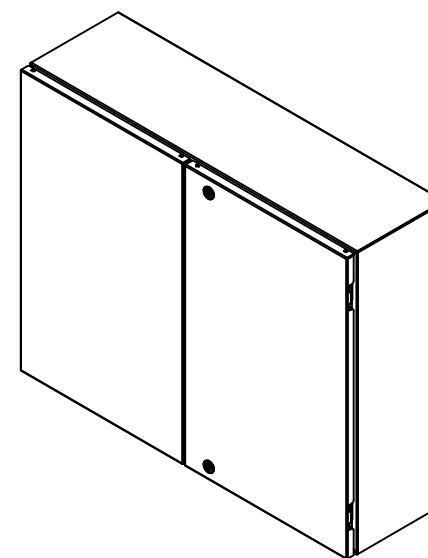
LEFT



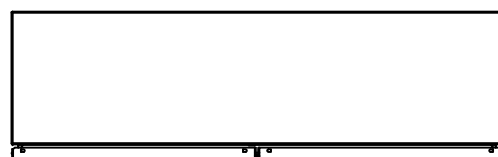
FRONT




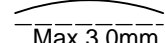
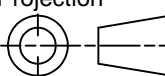
RIGHT



Isometric View



No.	Revisions	Date	By/Par

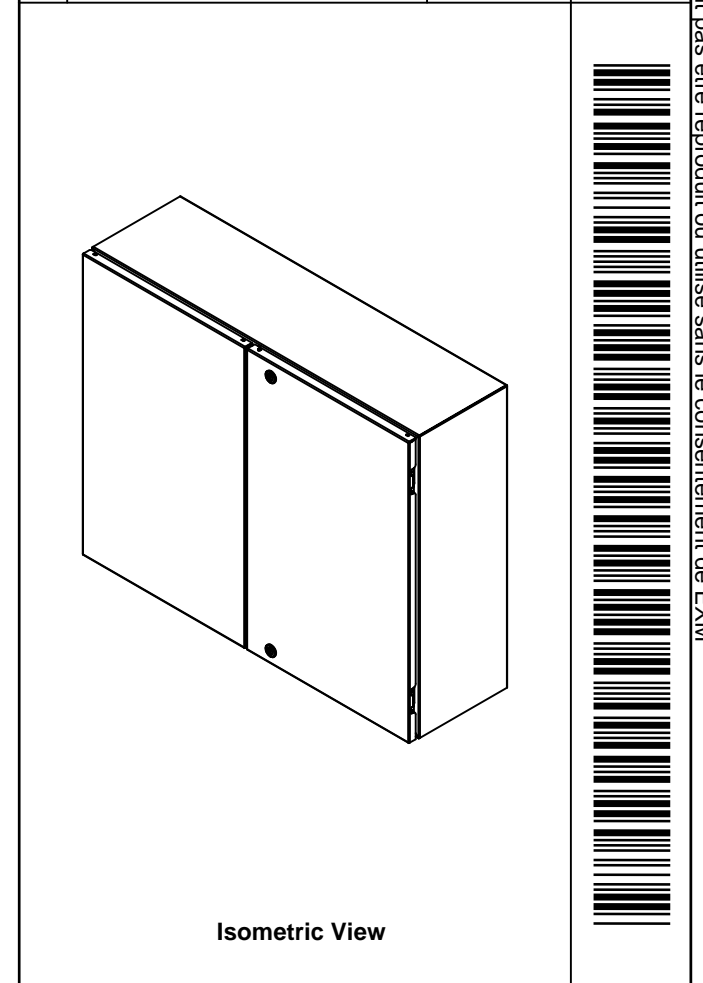
 Tél: (450) 979-4373 Fax: (450) 979-4626 <a href="http://www.exmweb.com">www.exmweb.com</a>		Flatness Aplatissement  Max 3.0mm Projection 
Customer Client	Date	
Drawn By Dessiné Par	BoxCad: Annie	Date 28/02/2014
Material Matière	14 Ga H.R.P. & O. (1.7mm)	
Color Couleur	Light Grey RAL7035	Finish Fini
Description		Detail Rev.
6500ESDD 800mm x 1000mm x 270mm Enclosure Assembly		
Part Number Numéro Pièce	Rev.	
<b>6500ESDD100830</b>	<b>0</b>	1 2

SEE BILL OF MATERIAL ON LAST PAGE

This drawing is confidential and must not be reproduced or used without the consent of EXM


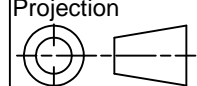
Ce dessin est confidentiel et ne doit pas être reproduit ou utilisé sans le consentement de EXM

No.	Revisions	Date	By/Par



Qty	Part Number	Rev	Description
1	880 PP	0	Self Adhesive Print Pocket
1	STK-K-01800	0	5412 ES Accessory Kit
1	6500ESDD100830FD	0	6500ESDD 800mm x 1000mm Flange Door
1	6500ESDD100830LD	0	6500ESDD 800mm x 1000mm Lock Door
6	STK-Q-07310	2	Flange Lock Nut M8
1	6500ESDD100830IP	0	6500ESDD 800mm x 1000mm Inner Panel
6	STK-Q-07610	7	M8 Plastic Spacer 22.2mm
1	6500ESDD100830B	0	6500ESDD 800mm x 1000mm x 270mm Body
4	STK-Q-04050-07	5	M6 x 7mm Hexagon Socket Head Machine Screw with Nyseal
2	STK-Q-04050-10	5	M6 x 10mm Hexagon Socket Head Machine Screw with Nyseal
2	STK-Q-74760	0	5500 ESDD - Flange Door Sealing Block

Parts List

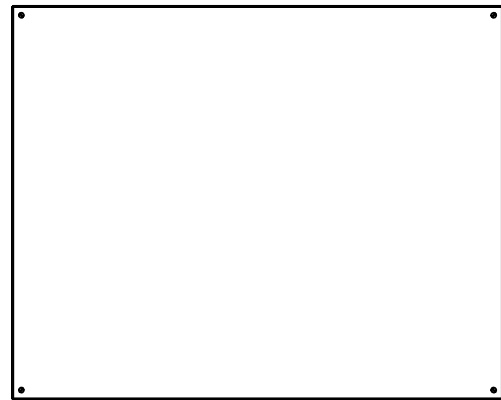
 Tél: (450) 979-4373 Fax: (450) 979-4626 <a href="http://www.exmweb.com">www.exmweb.com</a>		Flatness Aplatissement Max 3.0mm Projection 
Customer Client	Date	
Drawn By Dessiné Par	BoxCad: Annie	Date 28/02/2014
Material Matière	14 Ga H.R.P. & O. (1.7mm)	
Color Couleur	Light Grey RAL7035	Finish Fini Rough Textured
Description	Detail Rev.	
6500ESDD 800mm x 1000mm x 270mm Enclosure Assembly		
Part Number Numéro Pièce	Rev.	2
<b>6500ESDD100830</b>	<b>0</b>	<b>2</b>

This drawing is confidential and must not be reproduced or used without the consent of EXM

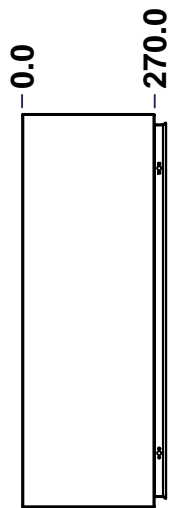
Ce dessin est confidentiel et ne doit pas être reproduit ou utilisé sans le consentement de EXM



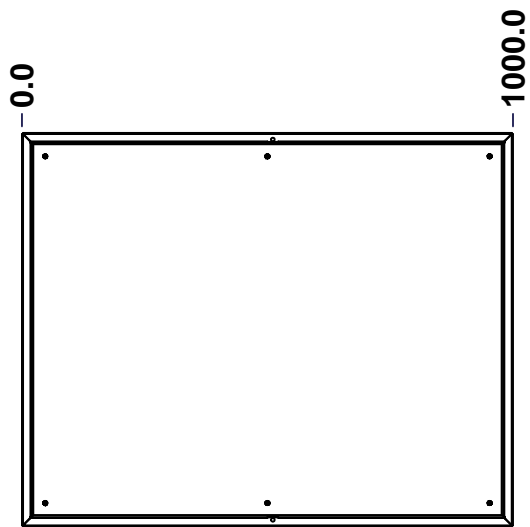
TOP



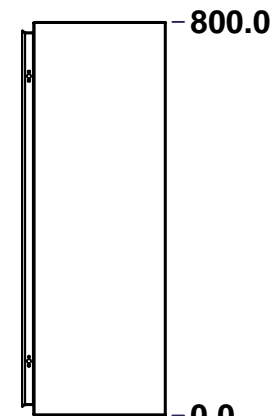
BACK



LEFT



FRONT

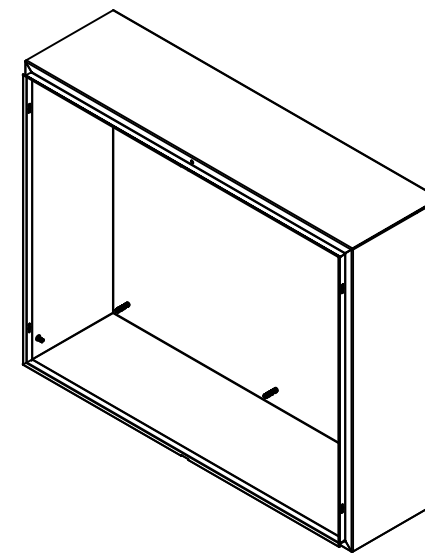


RIGHT



BOTTOM

No.	Revisions	Date	By/Par



Isometric View

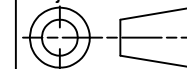


Tél: (450) 979-4373  
 Fax: (450) 979-4626  
[www.exmweb.com](http://www.exmweb.com)

Flatness  
Aplatissement

Max 3.0mm

Projection



Customer Client	Date
Drawn By Dessiné Par BoxCad	Date 28/02/2014
Material Matière	14 Ga H.R.P. & O. (1.7mm)
Color Couleur Light Grey RAL7035	Finish Fini Rough Textured
Description 6500ESDD 800mm x 1000mm x 270mm Body	Detail Rev.
Part Number Numéro Pièce <b>6500ESDD100830B</b>	Rev. <b>0</b>

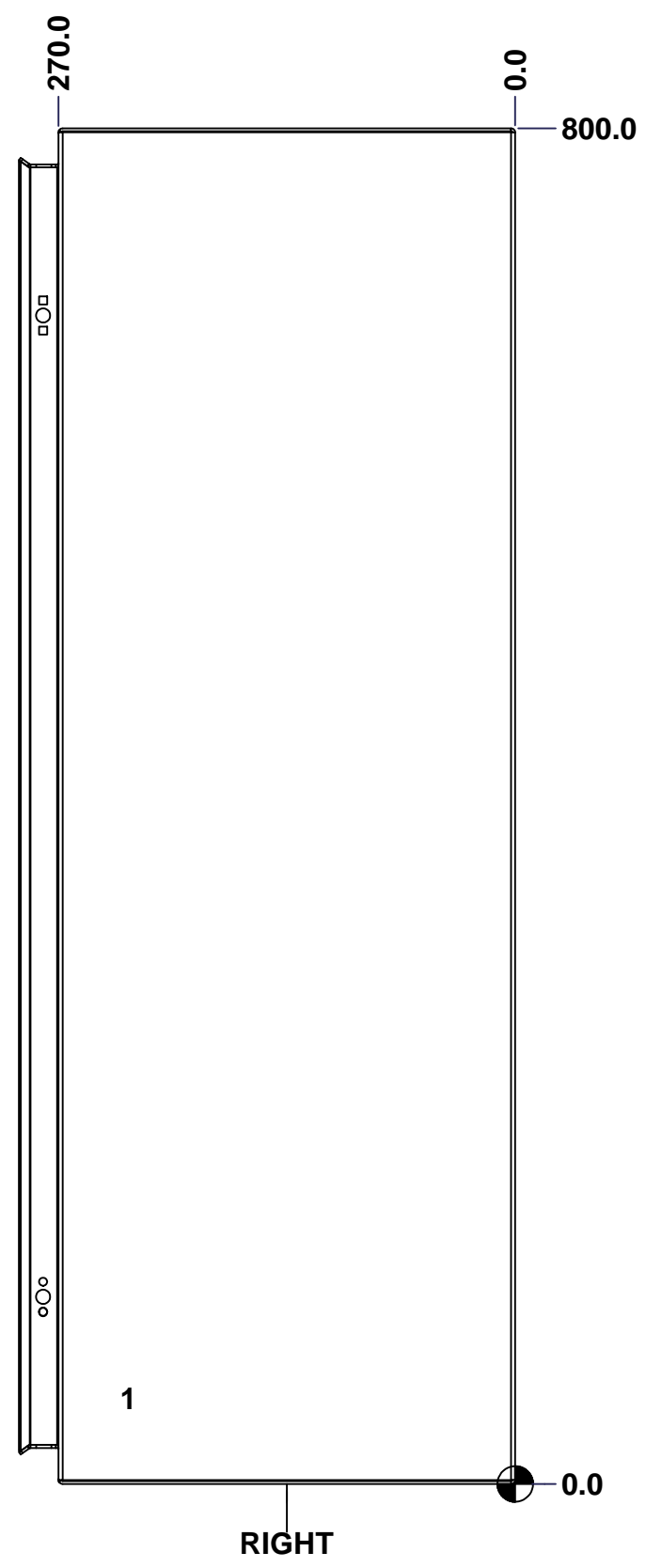
SEE BILL OF MATERIAL ON LAST PAGE

1
7

This drawing is confidential and must not be reproduced or used without the consent of EXM

Ce dessin est confidentiel et ne doit pas être reproduit ou utilisé sans le consentement de EXM

STANDARD FEATURES ARE NOT LISTED IN THIS HOLE TABLE			
HOLE TABLE - RIGHT VIEW (CUSTOM FEATURE ONLY)			
CUT-OUT	XDIM	YDIM	DESCRIPTION
1	231.9	50.8	GND STUD M6 x 16mm (Inside)

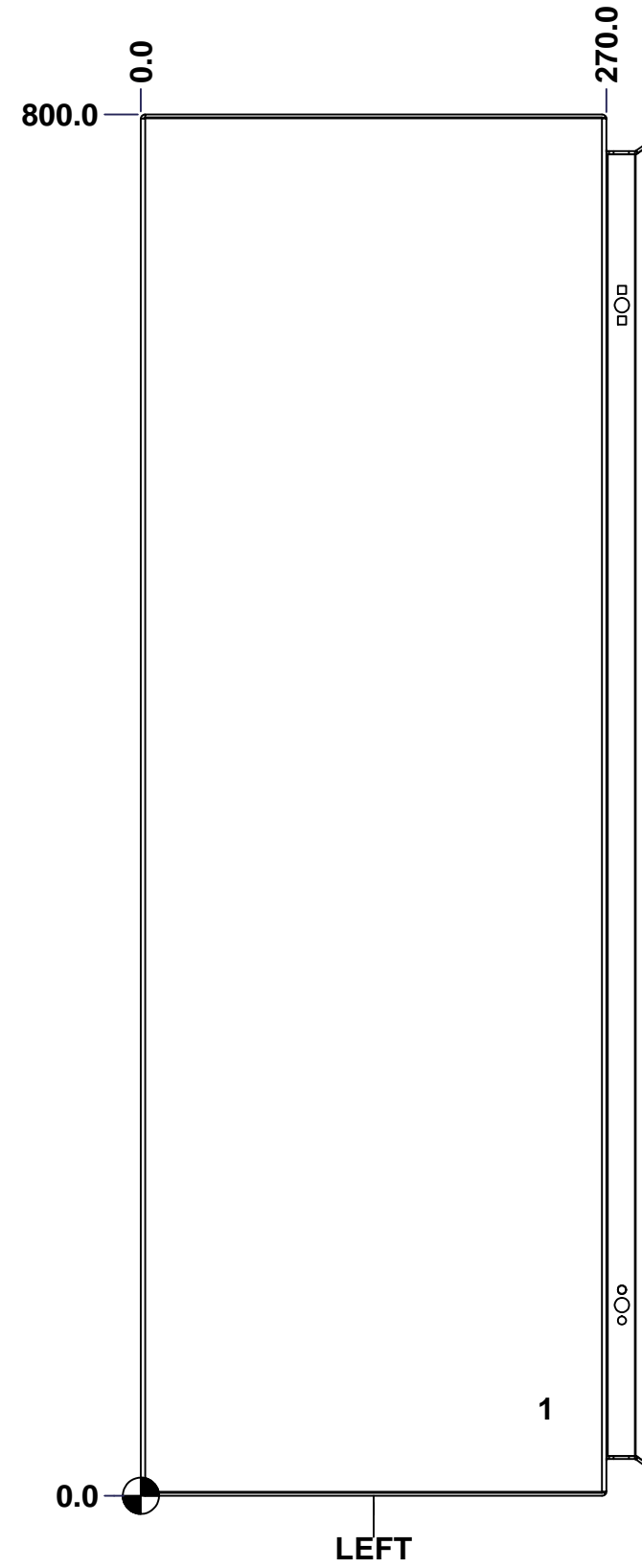


	Description 6500ESDD 800mm x 1000mm x 270mm Body		Status Released
	Part Number Numéro Pièce <b>6500ESDD100830B</b>		Rev. 3 <b>0</b> / 7

This drawing is confidential and must not be reproduced or used without the consent of EXM

Ce dessin est confidentiel et ne doit pas être reproduit ou utilisé sans le consentement de EXM

<b>STANDARD FEATURES ARE NOT LISTED IN THIS HOLE TABLE</b>			
<b>HOLE TABLE - LEFT VIEW (CUSTOM FEATURE ONLY)</b>			
CUT-OUT	XDIM	YDIM	DESCRIPTION
1	231.9	50.8	GND STUD M6 x 16mm (Inside)



	Description 6500ESDD 800mm x 1000mm x 270mm Body	Status Released
	Part Number Numéro Pièce <b>6500ESDD100830B</b>	Rev. 5 <b>0</b> / 7

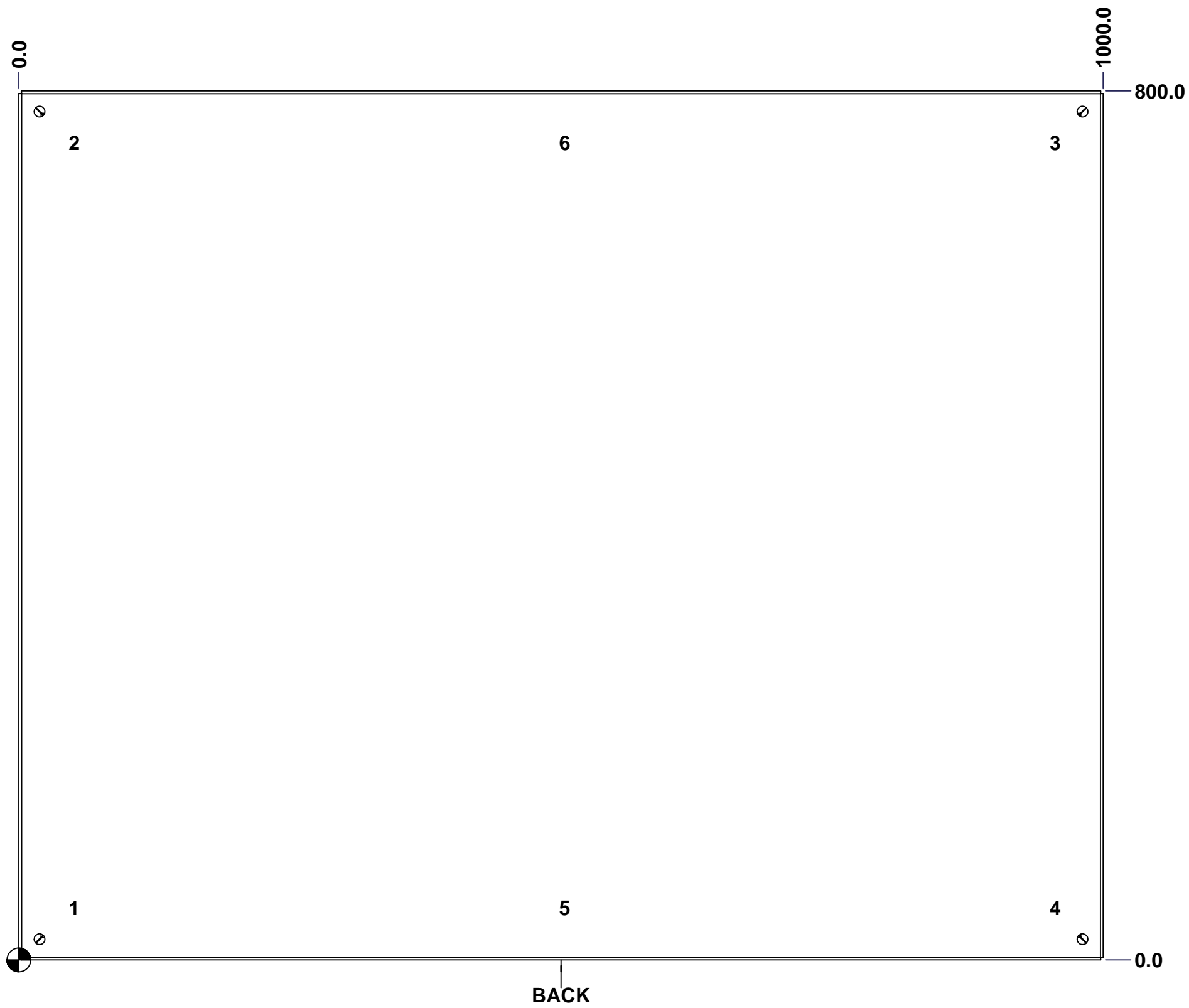
This drawing is confidential and must not be reproduced or used without the consent of EXM

Ce dessin est confidentiel et ne doit pas être reproduit ou utilisé sans le consentement de EXM

**STANDARD FEATURES ARE NOT LISTED IN THIS HOLE TABLE**

**HOLE TABLE - BACK VIEW (CUSTOM FEATURE ONLY)**

CUT-OUT	XDIM	YDIM	DESCRIPTION
1	47.6	47.6	IP STUD M8 x 35mm (Inside)
2	47.6	752.4	IP STUD M8 x 35mm (Inside)
3	952.4	752.4	IP STUD M8 x 35mm (Inside)
4	952.4	47.6	IP STUD M8 x 35mm (Inside)
5	500.0	47.6	IP STUD M8 x 35mm (Inside)
6	500.0	752.4	IP STUD M8 x 35mm (Inside)

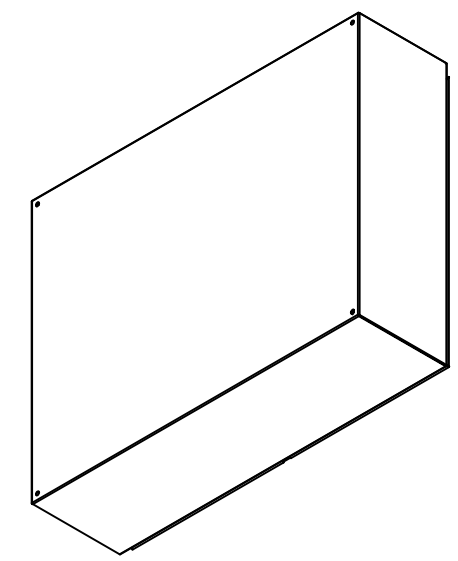


	Description 6500ESDD 800mm x 1000mm x 270mm Body	Status Released
	Part Number Numéro Pièce <b>6500ESDD100830B</b>	Rev. 6 <b>0</b> / 7

This drawing is confidential and must not be reproduced or used without the consent of EXM


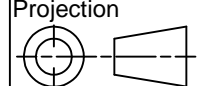
Ce dessin est confidentiel et ne doit pas être reproduit ou utilisé sans le consentement de EXM

No.	Revisions	Date	By/Par



Isometric View

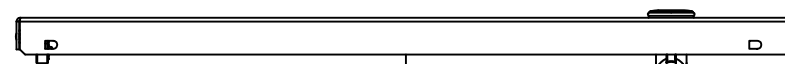


 Tél: (450) 979-4373 Fax: (450) 979-4626 <a href="http://www.exmweb.com">www.exmweb.com</a>		Flatness Aplatissement Max 3.0mm Projection 
Customer Client	Date	
Drawn By Dessiné Par	BoxCad	Date 28/02/2014
Material Matière	14 Ga H.R.P. & O. (1.7mm)	
Color Couleur	Light Grey RAL7035	Finish Fini
Description		Detail Rev.
6500ESDD 800mm x 1000mm x 270mm Body		7
Part Number Numéro Pièce	Rev.	7
<b>6500ESDD100830B</b>	<b>0</b>	<b>7</b>

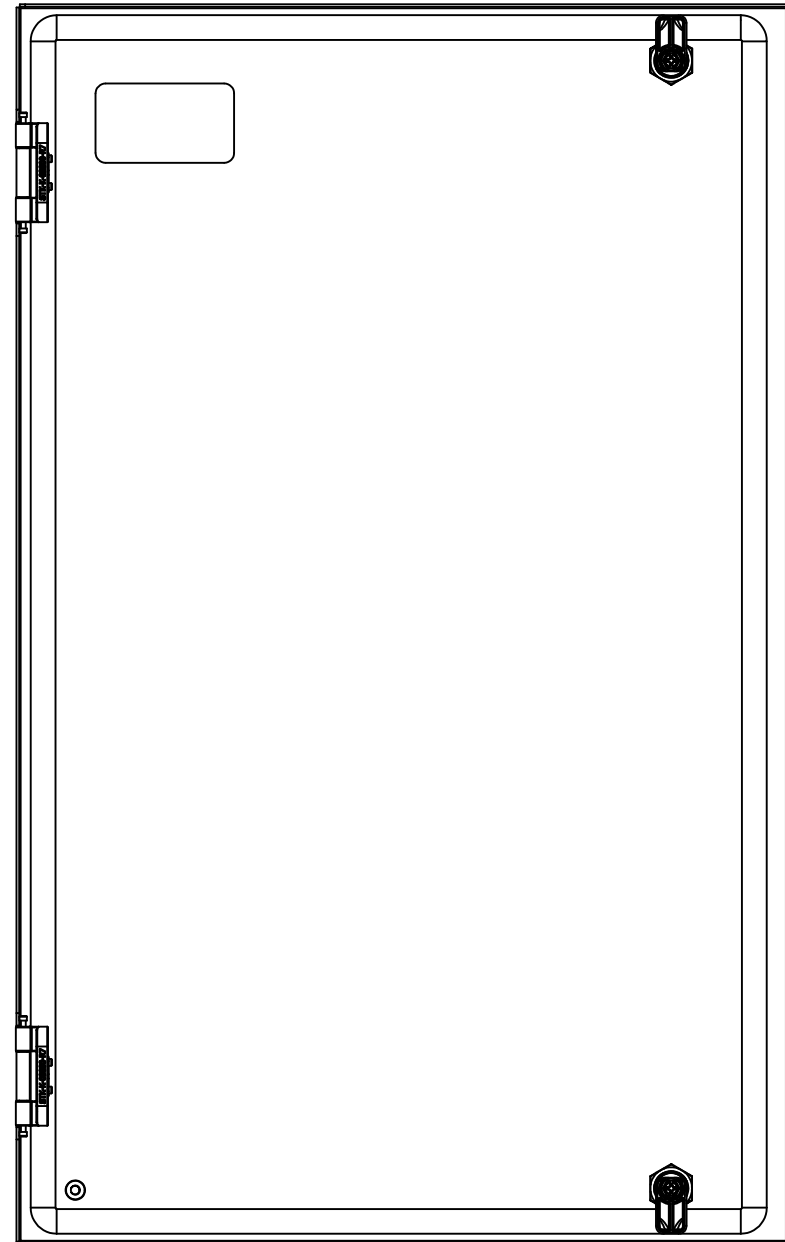
Qty	Part Number	Rev	Description
6	STK-Q-16005	1	Stud M8 x 35 (No Paint Cap Required)
2	STK-Q-16080	0.1. 1	M6 x 16mm Ground Stud
1	STK-P-03820R	0	Powder Paint (Light Grey / Rough Textured)
1	6500ESDD100830B-P	0	6500ESDD 800mm x 1000mm x 270mm Body Part
Parts List			

This drawing is confidential and must not be reproduced or used without the consent of EXM

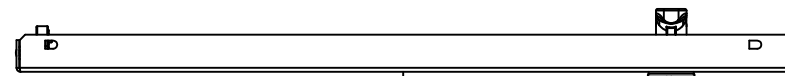
Ce dessin est confidentiel et ne doit pas être reproduit ou utilisé sans le consentement de EXM



TOP



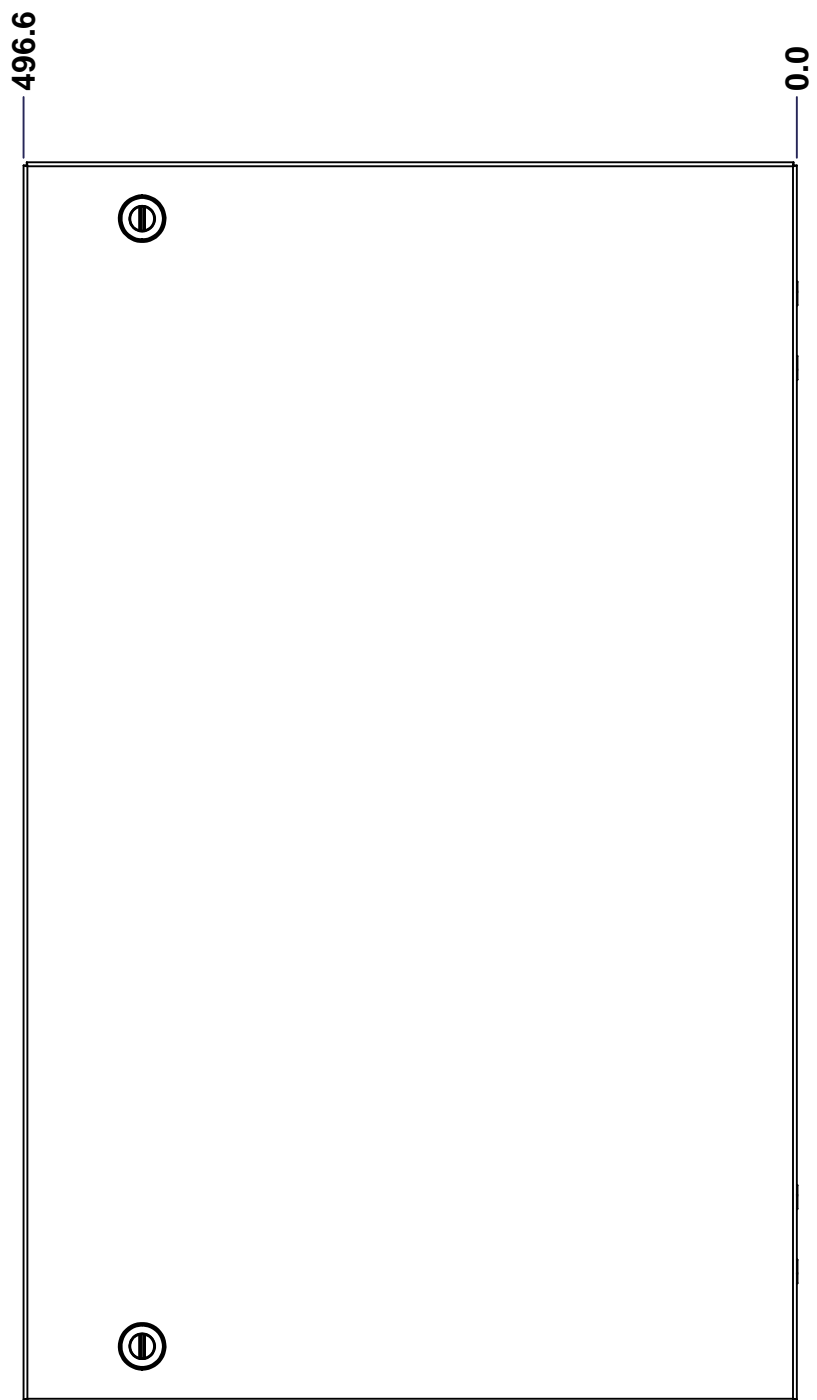
BACK



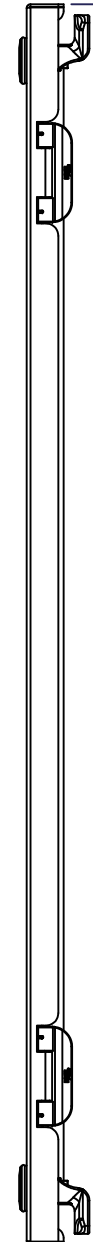
BOTTOM



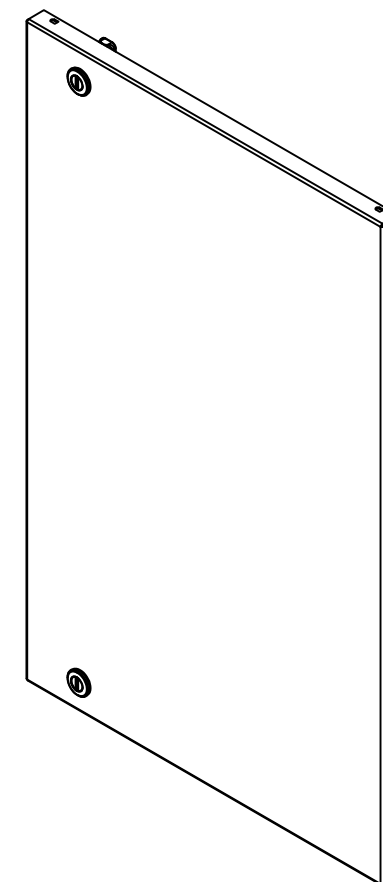
LEFT



FRONT



0.0



Isometric View



No.	Revisions	Date	By/Par

Tél: (450) 979-4373 Fax: (450) 979-4626 <a href="http://www.exmweb.com">www.exmweb.com</a>		Flatness Aplatissement Max 3.0mm Projection 
Customer Client	Date	
Drawn By Dessiné Par	BoxCad: Annie	Date 28/02/2014
Material Matière	14 Ga H.R.P. & O. (1.7mm)	
Color Couleur	Light Grey RAL7035	Finish Fini Rough Textured
Description		Detail Rev.
6500ESDD 800mm x 1000mm Lock Door		
Part Number Numéro Pièce	Rev.	1 3
6500ESDD100830LD		0

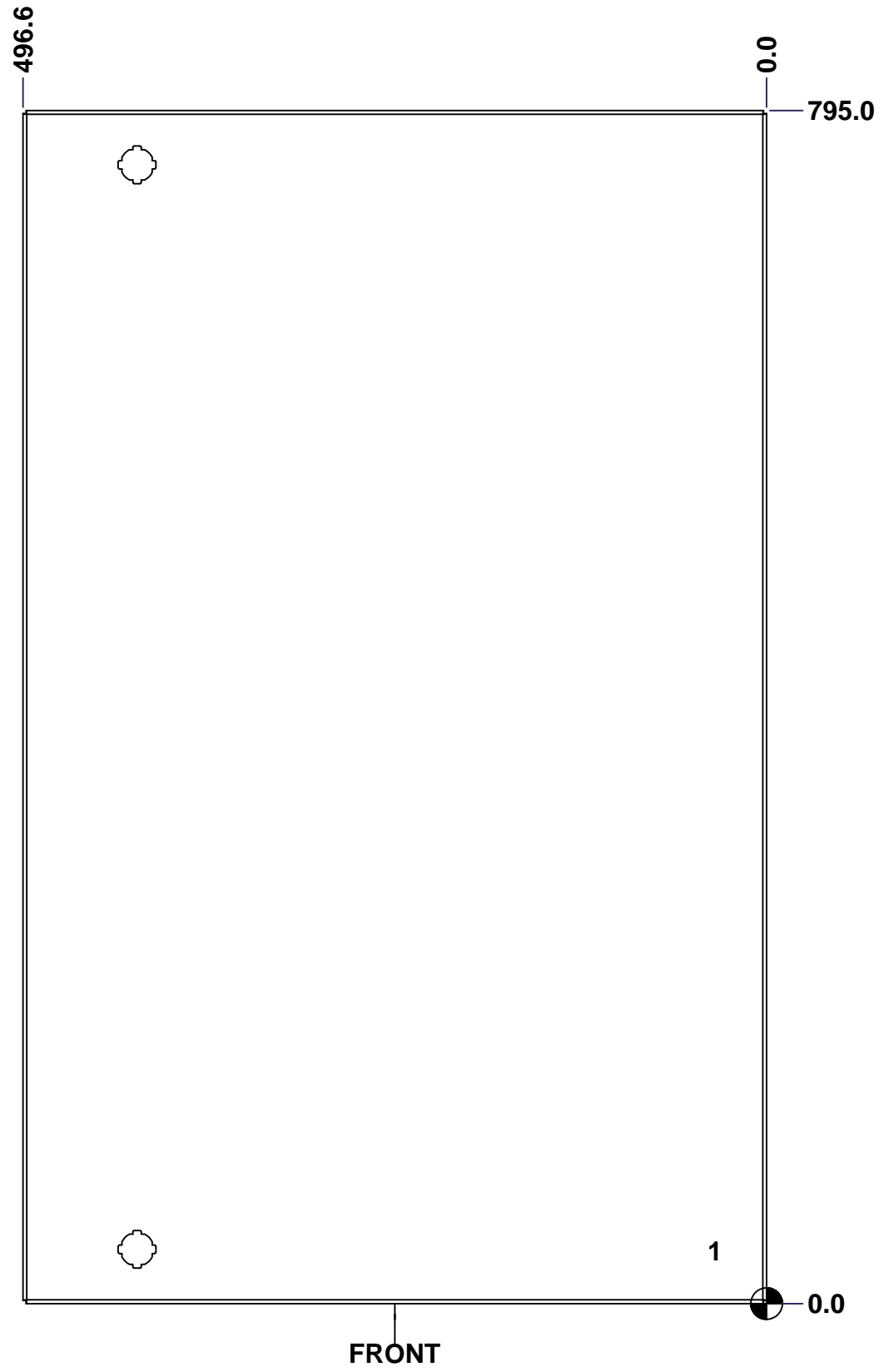
SEE BILL OF MATERIAL ON LAST PAGE



This drawing is confidential and must not be reproduced or used without the consent of EXM

Ce dessin est confidentiel et ne doit pas être reproduit ou utilisé sans le consentement de EXM

STANDARD FEATURES ARE NOT LISTED IN THIS HOLE TABLE			
HOLE TABLE - FRONT VIEW (CUSTOM FEATURE ONLY)			
CUT-OUT	XDIM	YDIM	DESCRIPTION
1	37.7	35.0	GND STUD M6 x 16mm (Inside)

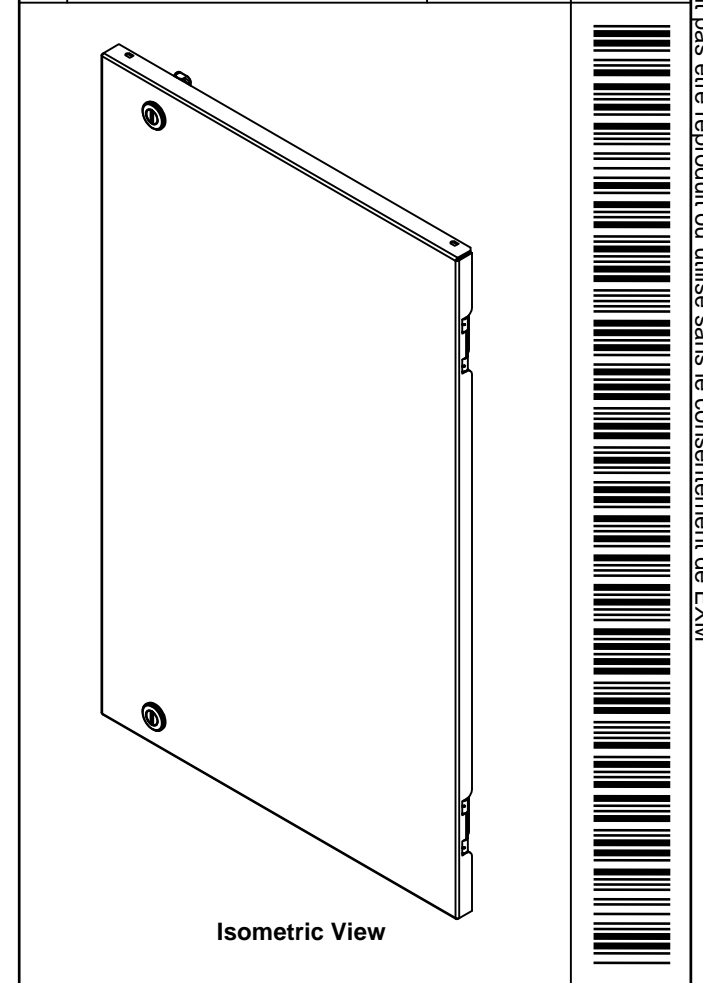


	Description	Status	
	6500ESDD 800mm x 800mm Lock Door	Released	
	Part Number Numéro Pièce	Rev.	
	<b>6500ESDD100830LD</b>	<b>0</b>	2 3

This drawing is confidential and must not be reproduced or used without the consent of EXM

Ce dessin est confidentiel et ne doit pas être reproduit ou utilisé sans le consentement de EXM

No.	Revisions	Date	By/Par



**EXM**  
www.exm.com

Tél: (450) 979-4373  
Fax: (450) 979-4626  
[www.exmweb.com](http://www.exmweb.com)

Flatness  
Aplatissement  
Max 3.0mm

Projection

Customer Client  
Date

Drawn By  
Dessiné Par BoxCad: Annie  
Date 28/02/2014

Material  
Matière 14 Ga H.R.P. & O. (1.7mm)

Color  
Couleur Light Grey RAL7035

Finish  
Fini Rough Textured

Description  
6500ESDD 800mm x 1000mm Lock Door

Detail Rev.

Part Number  
Numéro Pièce **6500ESDD100830LD**

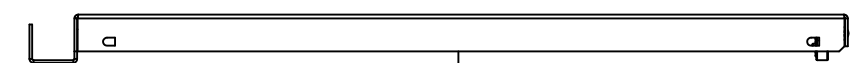
Rev. 0

3

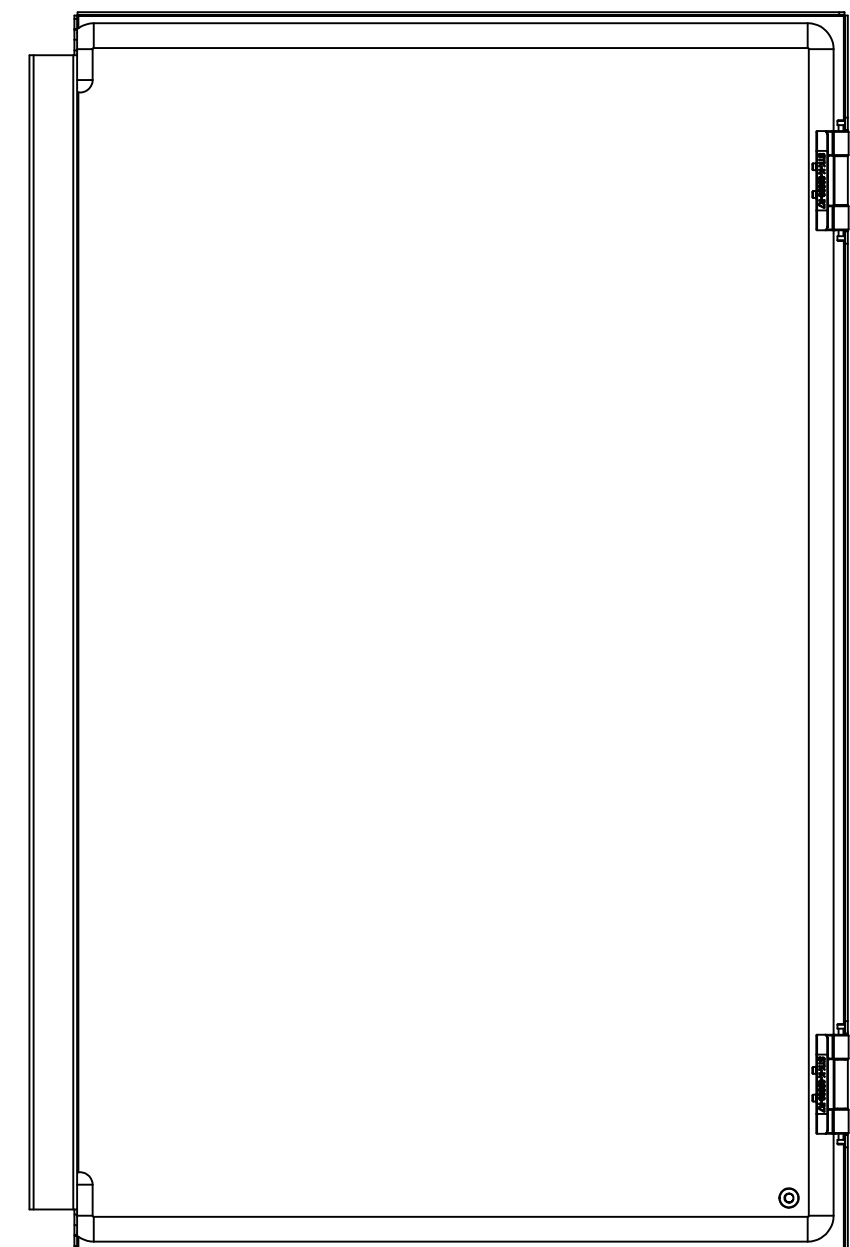
Qty	Part Number	Rev	Description
1	6500ESDD100830LDG	0	6500ESDD 800mm x 1000mm Lock Door Gasket
1	STK-S-00100	0.1. 1	3.5" x 2" Silver Milar Flexcon Sticker
1	STK-Q-16080	0.1. 1	M6 x 16mm Ground Stud
1	STK-P-03820R	0	Powder Paint (Light Grey / Rough Textured)
1	6500ESDD100830LD-P	0	6500ESDD 800mm x 1000mm Lock Door Part
2	880 SCQ4-SL	0	5412 ES 1/4 Turn Lock
2	STK-K-09800	5	5412 ES Hinge with 2 Captive Hinge Pins
Parts List			

This drawing is confidential and must not be reproduced or used without the consent of EXM

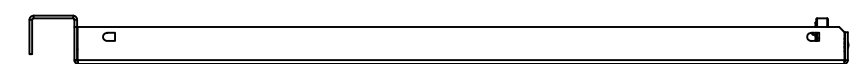
Ce dessin est confidentiel et ne doit pas être reproduit ou utilisé sans le consentement de EXM



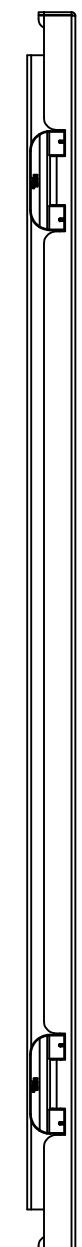
TOP



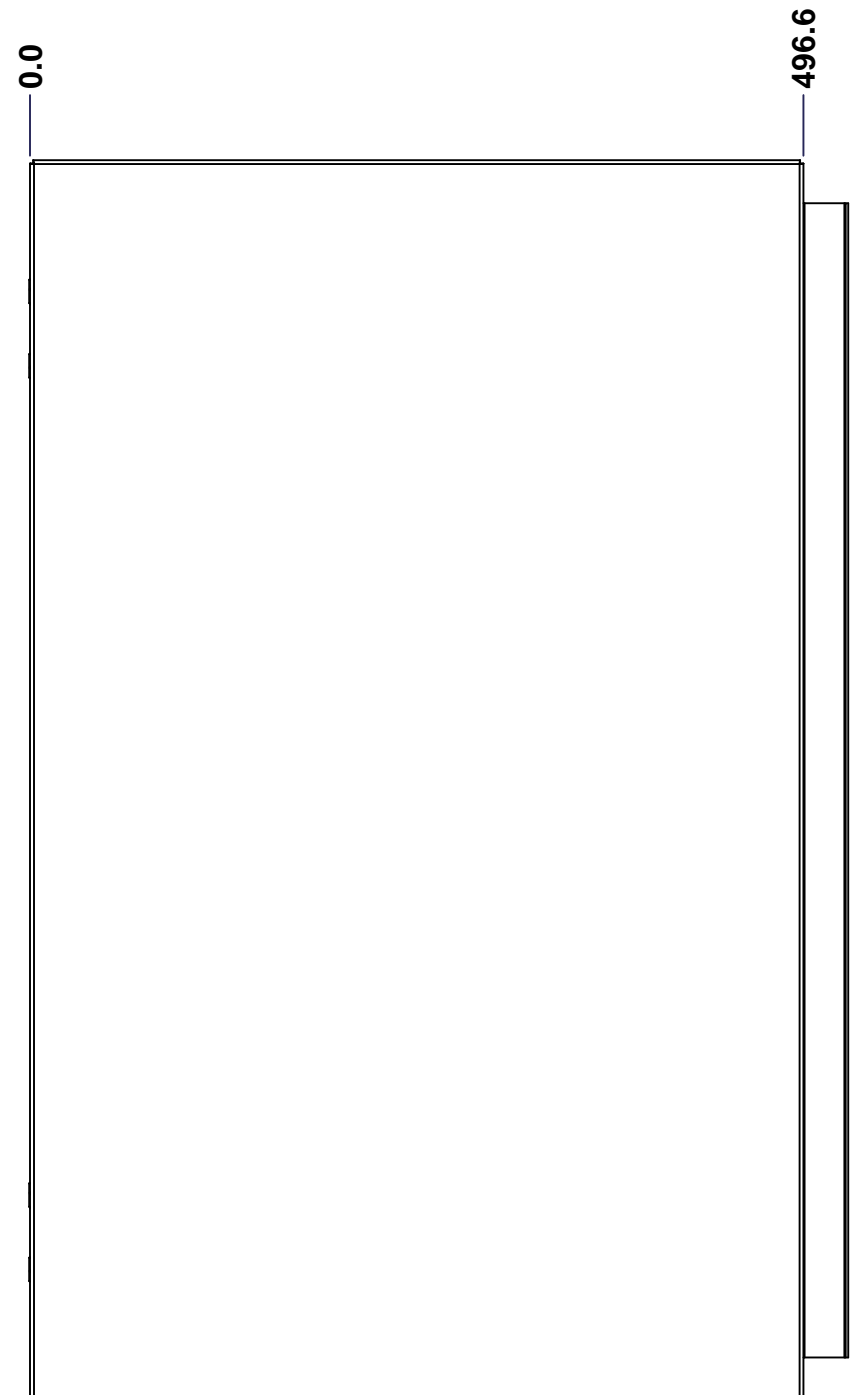
BACK



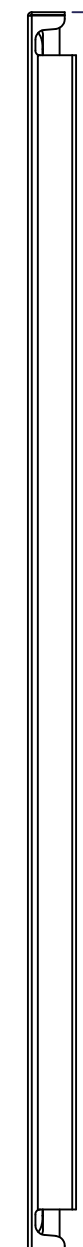
BOTTOM



LEFT



FRONT

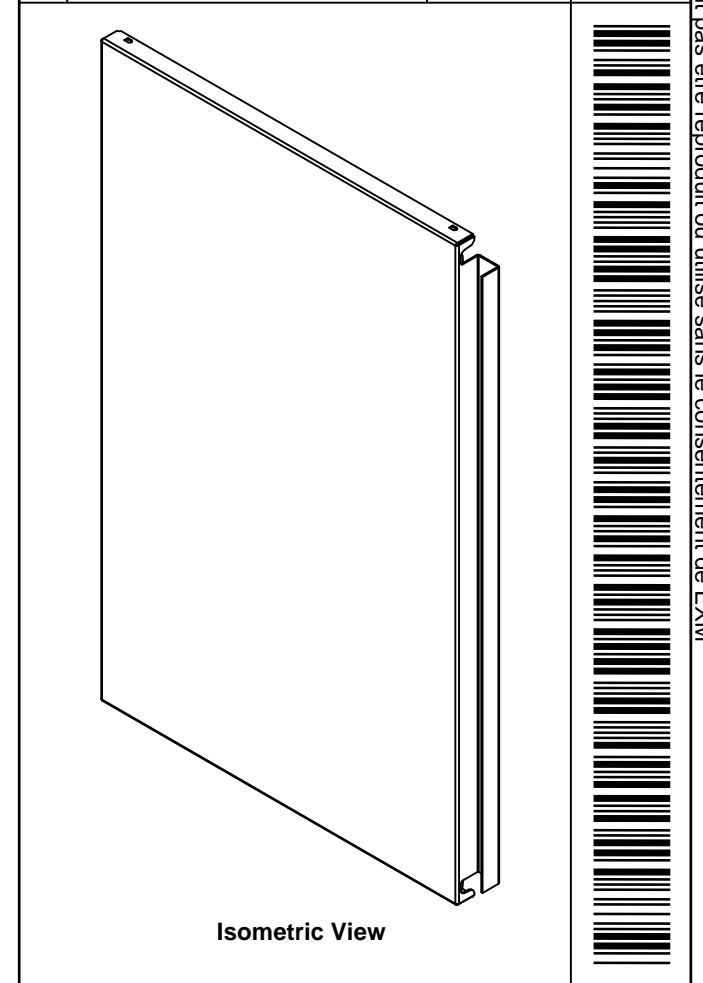


RIGHT



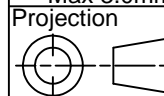
795.0

0.0

No.	Revisions	Date	By/Par



Isometric View

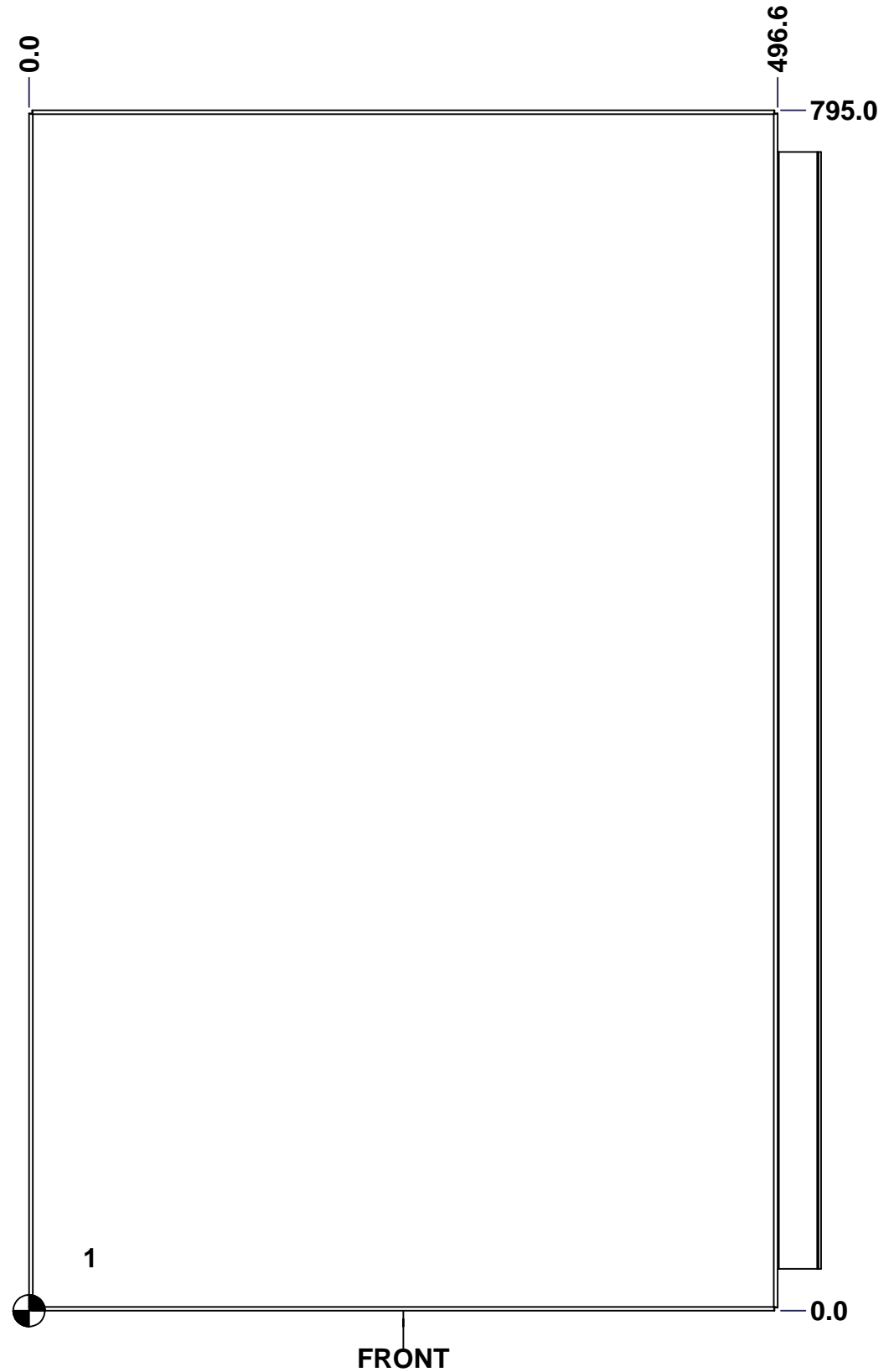
 Tél: (450) 979-4373 Fax: (450) 979-4626 <a href="http://www.exmweb.com">www.exmweb.com</a>		Flatness Aplatissement  Max 3.0mm Projection 	
Customer Client		Date	
Drawn By Dessiné Par BoxCad: Annie		Date 28/02/2014	
Material Matière 14 Ga H.R.P. & O. (1.7mm)			
Color Couleur Light Grey RAL7035		Finish Fini Rough Textured	
Description 6500ESDD 800mm x 1000mm Flange Door			Detail Rev.
Part Number Numéro Pièce <b>6500ESDD100830FD</b>		Rev. <b>0</b>	1 3

SEE BILL OF MATERIAL ON LAST PAGE

This drawing is confidential and must not be reproduced or used without the consent of EXM

Ce dessin est confidentiel et ne doit pas être reproduit ou utilisé sans le consentement de EXM

STANDARD FEATURES ARE NOT LISTED IN THIS HOLE TABLE			
HOLE TABLE - FRONT VIEW (CUSTOM FEATURE ONLY)			
CUT-OUT	XDIM	YDIM	DESCRIPTION
1	37.744	34.998	GND STUD M6 x 16mm (Inside)

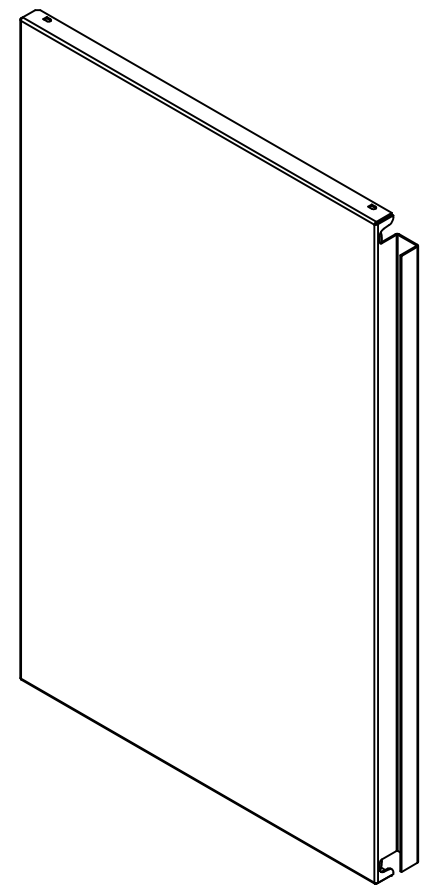


	Description	Status
	6500ESDD 800mm x 800mm Flange Door	Released
	Part Number Numéro Pièce	Rev.
	<b>6500ESDD100830FD</b>	<b>0</b>
		2
		3

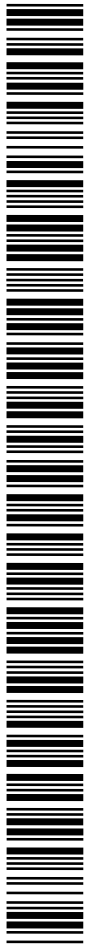
This drawing is confidential and must not be reproduced or used without the consent of EXM


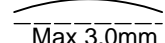
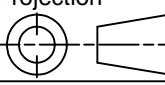
Ce dessin est confidentiel et ne doit pas être reproduit ou utilisé sans le consentement de EXM

No.	Revisions	Date	By/Par



Isometric View

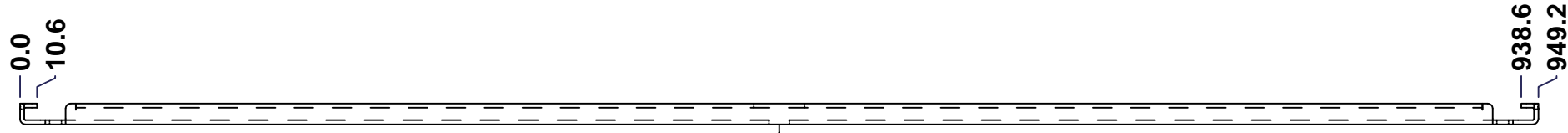


 Tél: (450) 979-4373 Fax: (450) 979-4626 <a href="http://www.exmweb.com">www.exmweb.com</a>		Flatness Aplatissement  Max 3.0mm Projection 
Customer Client	Date	
Drawn By Dessiné Par	BoxCad: Annie	Date 28/02/2014
Material Matière	14 Ga H.R.P. & O. (1.7mm)	
Color Couleur	Light Grey RAL7035	Finish Fini
Description		Detail Rev.
6500ESDD 800mm x 1000mm Flange Door		
Part Number Numéro Pièce	Rev.	3
<b>6500ESDD100830FD</b>	<b>0</b>	<b>3</b>

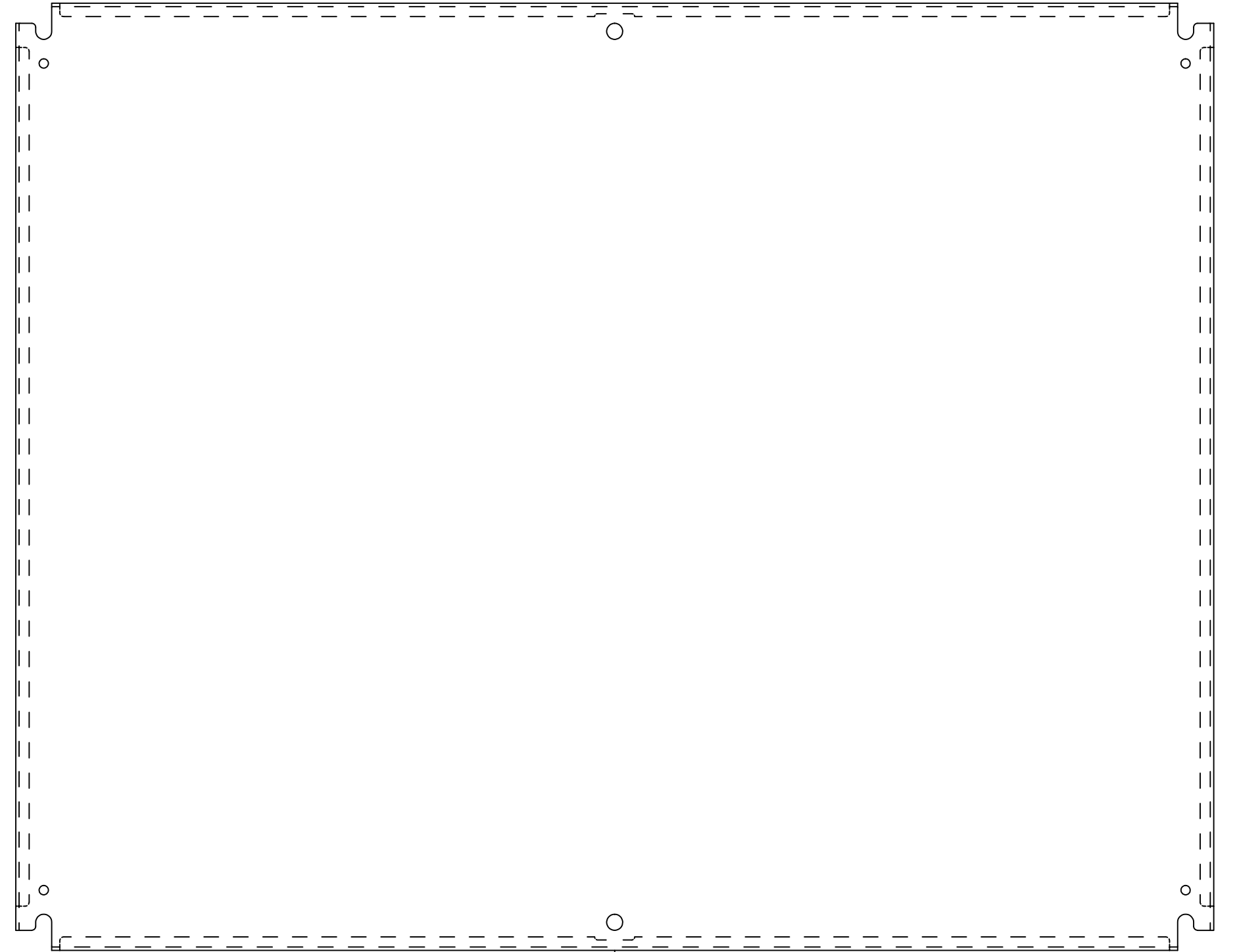
Qty	Part Name	Rev	Description
1	6500ESDD100830FDG	0	6500ESDD 800mm x 1000mm Flange Door Gasket
1	STK-Q-16080	0.1	M6 x 16mm Ground Stud
		1	
1	STK-P-03820R	0	Powder Paint (Light Grey / Rough Textured)
1	6500ESDD100830FD-P	0	6500ESDD 800mm x 1000mm Flange Door Part
2	STK-K-09800	5	5412 ES Hinge with 2 Captive Hinge Pins
Parts List			

This drawing is confidential and must not be reproduced or used without the consent of EXM

Ce dessin est confidentiel et ne doit pas être reproduit ou utilisé sans le consentement de EXM



TOP

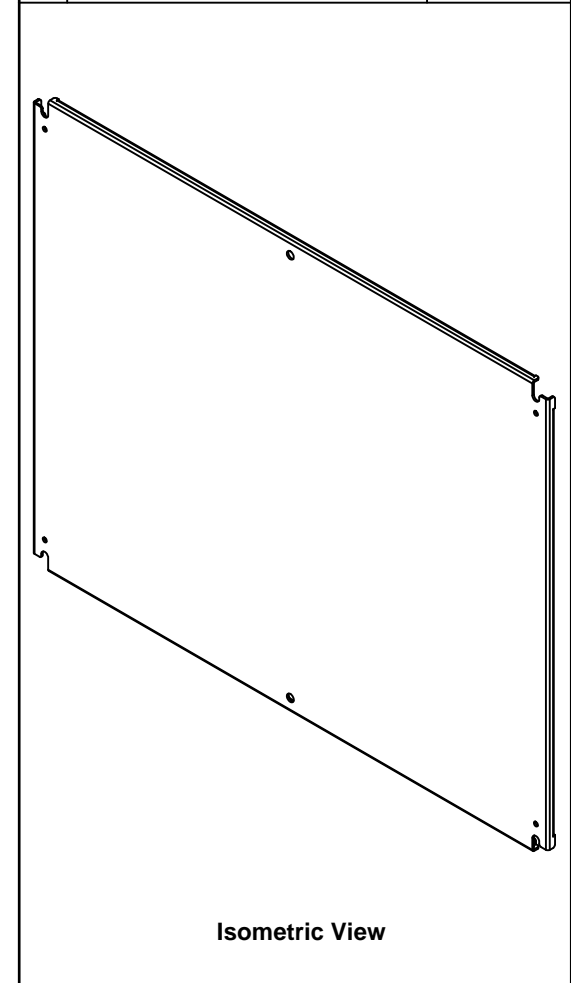


FRONT

RIGHT



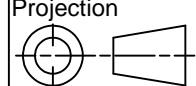
SEE BILL OF MATERIAL ON LAST PAGE

No.	Revisions	Date	By/Par



Isometric View

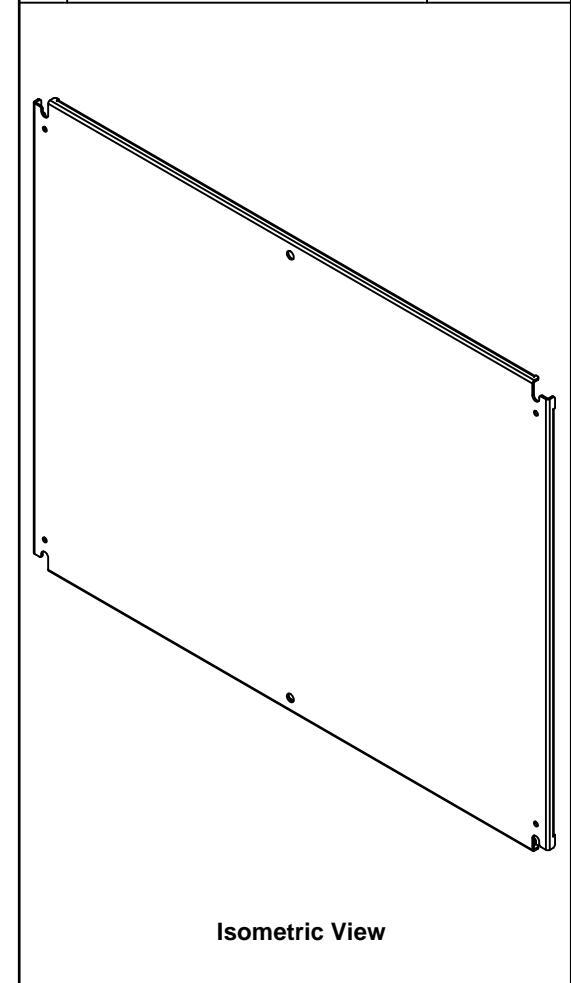



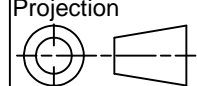
 Tél: (450) 979-4373 Fax: (450) 979-4626 <a href="http://www.exmweb.com">www.exmweb.com</a>		Flatness Aplatissement  Max 3.0mm Projection 
Customer Client	Date	
Drawn By Dessiné Par	BoxCad: Annie	Date 28/02/2014
Material Matière	12 Ga H.R.P. & O. (2.5mm)	
Color Couleur	White RAL9003	Finish Fini Smooth
Description	Detail Rev.	
6500ESDD 800mm x 1000mm Inner Panel		
Part Number Numéro Pièce	Rev. 0	1 / 3
<b>6500ESDD100830IP</b>		

This drawing is confidential and must not be reproduced or used without the consent of EXM

Ce dessin est confidentiel et ne doit pas être reproduit ou utilisé sans le consentement de EXM

No.	Revisions	Date	By/Par



 Tél: (450) 979-4373 Fax: (450) 979-4626 <a href="http://www.exmweb.com">www.exmweb.com</a>		Flatness Aplatissement Max 3.0mm Projection 
Customer Client	Date	
Drawn By Dessiné Par	BoxCad: Annie	Date 28/02/2014
Material Matière	12 Ga H.R.P. & O. (2.5mm)	
Color Couleur	White RAL9003	Finish Fini Smooth
Description	Detail Rev.	
6500ESDD 800mm x 1000mm Inner Panel		
Part Number Numéro Pièce	Rev. 3	3
<b>6500ESDD100830IP</b>	<b>0</b>	<b>3</b>

Qty	Part Number	Rev	Description
1	STK-P-02401S	0	Powder Paint (White / Smooth)
1	6500ESDD100830IP-P	0	6500ESDD 800mm x 1000mm Inner Panel Part
Parts List			