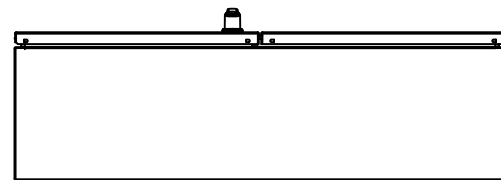
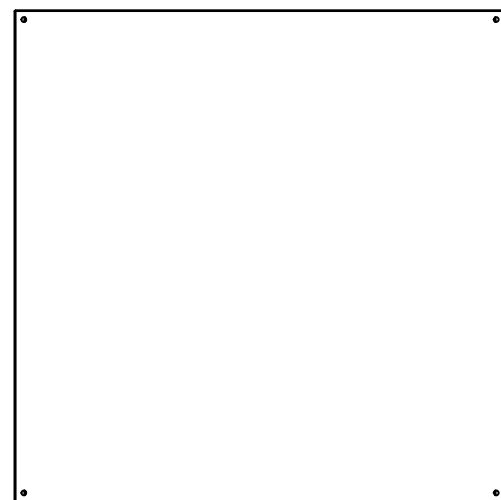


This drawing is confidential and must not be reproduced or used without the consent of EXM

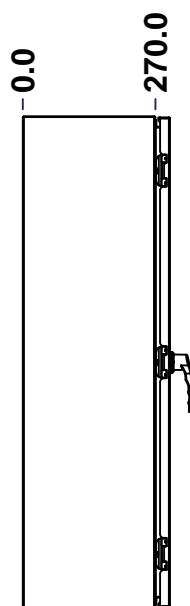
Ce dessin est confidentiel et ne doit pas être reproduit ou utilisé sans le consentement de EXM



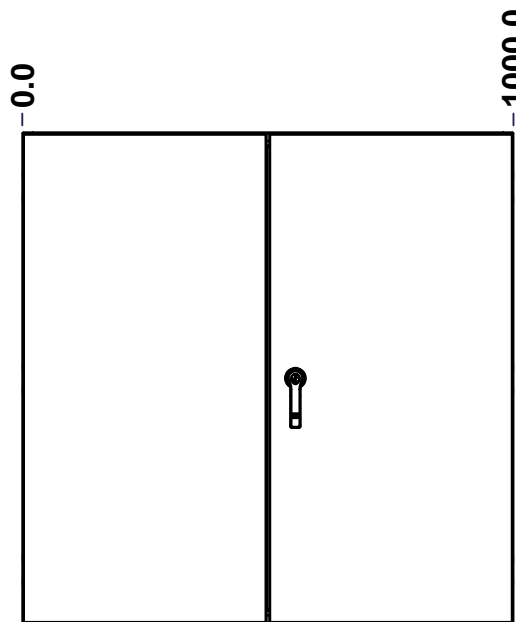
TOP



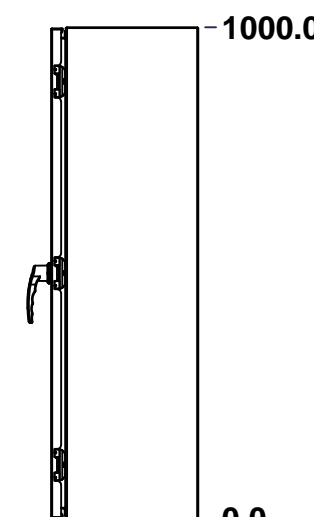
BACK



LEFT

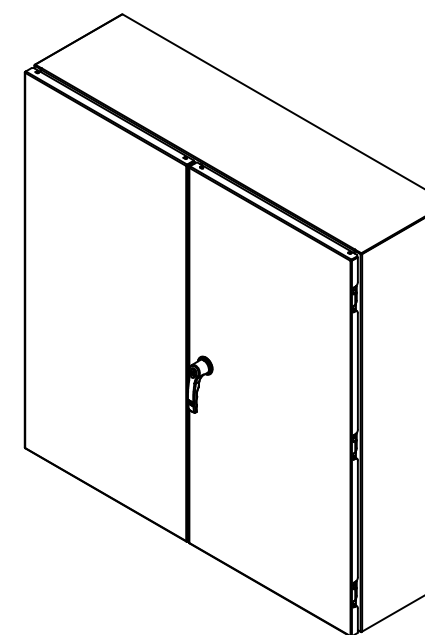


FRONT

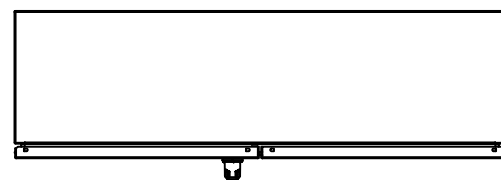



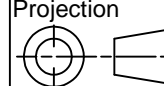
RIGHT

No.	Revisions	Date	By/Par



Isometric View



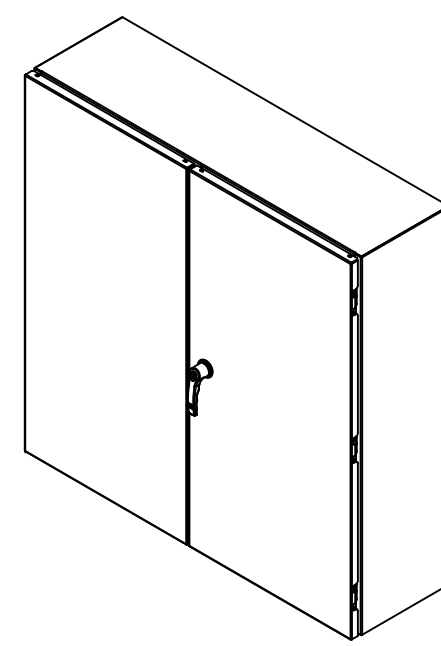
 Tél: (450) 979-4373 Fax: (450) 979-4626 www.exmweb.com		Flatness Aplatissement Max 3.0mm Projection 
Customer Client	Date	
Drawn By Dessiné Par	BoxCad: Annie	Date 09/04/2013
Material Matière	14 Ga H.R.P. & O. (1.7mm)	
Color Couleur	Light Grey RAL7035	Finish Fini Rough Textured
Description	Detail Rev.	
6500ESDD 1000mm x 1000mm x 270mm Enclosure Assembly		
Part Number Numéro Pièce	Rev.	1
6500ESDD101030	0	2

SEE BILL OF MATERIAL ON LAST PAGE

This drawing is confidential and must not be reproduced or used without the consent of EXM


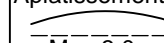
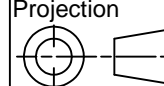
Ce dessin est confidentiel et ne doit pas être reproduit ou utilisé sans le consentement de EXM

No.	Revisions	Date	By/Par



Isometric View



 Tél: (450) 979-4373 Fax: (450) 979-4626 www.exmweb.com		Flatness Aplatissement  Max 3.0mm Projection 
Customer Client	Date	
Drawn By / Dessiné Par: BoxCad: Annie	Date	09/04/2013
Material / Matière	14 Ga H.R.P. & O. (1.7mm)	
Color / Couleur	Light Grey RAL7035	Finish / Fini: Rough Textured
Description	6500ESDD 1000mm x 1000mm x 270mm Enclosure Assembly	
Part Number / Numéro Pièce	Rev.	2
6500ESDD101030	0	2

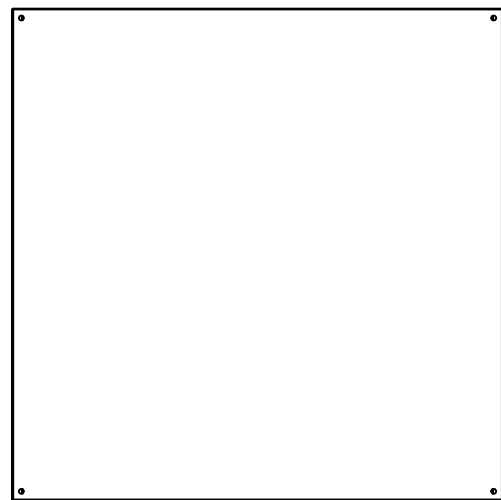
Qty	Part Number	Rev	Description
1	880 PP	0	Self Adhesive Print Pocket
1	STK-K-01800	0	5412 ES Accessory Kit
1	6500ESDD101030FD	0	6500ESDD 1000mm x 1000mm Flange Door
1	6500ESDD101030LD	0	6500ESDD 1000mm x 1000mm Lock Door
8	STK-Q-07310	2	Flange Lock Nut M8
1	6500ESDD101030IP	0	6500ESDD 1000mm x 1000mm Inner Panel
8	STK-Q-07610	7	M8 Plastic Spacer 22.2mm
1	6500ESDD101030B	0	6500ESDD 1000mm x 1000mm x 270mm Body
6	STK-Q-04050-07	5	M6 x 7mm Hexagon Socket Head Machine Screw with Nyseal
2	STK-Q-04050-10	5	M6 x 10mm Hexagon Socket Head Machine Screw with Nyseal
2	STK-Q-74760	0	5500 ESDD - Flange Door Sealing Block
Qty	Part Number	Rev	Description
Parts List			

This drawing is confidential and must not be reproduced or used without the consent of EXM

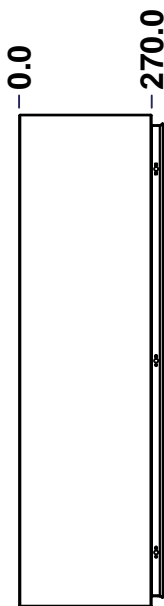
Ce dessin est confidentiel et ne doit pas être reproduit ou utilisé sans le consentement de EXM



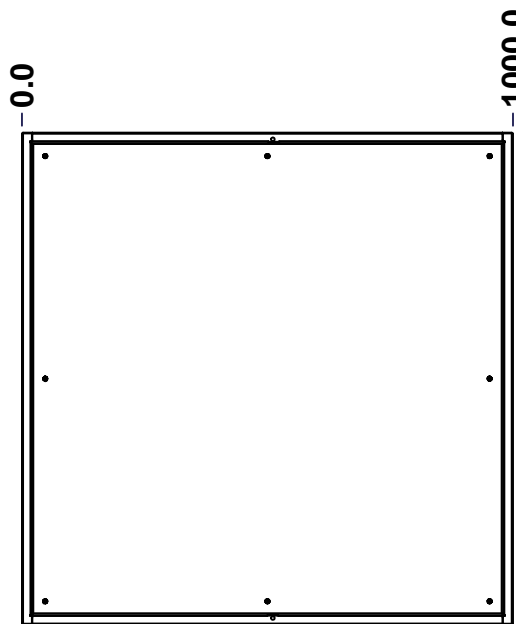
TOP



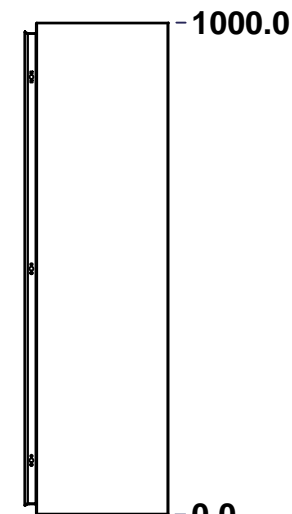
BACK



LEFT



FRONT

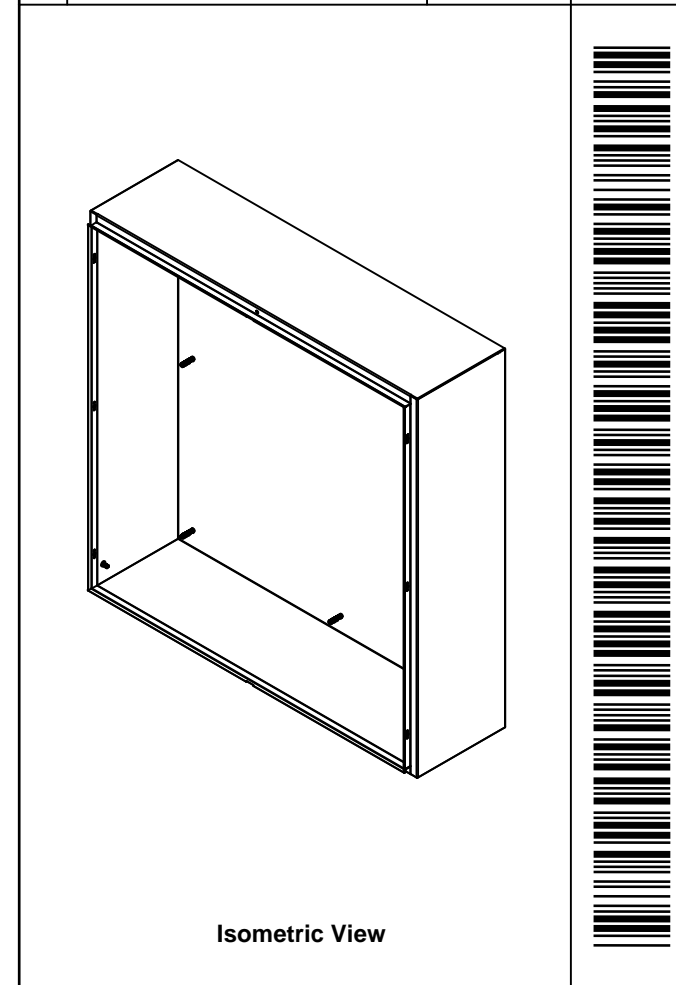


RIGHT




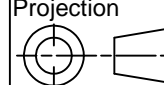
BOTTOM

No.	Revisions	Date	By/Par



Isometric View



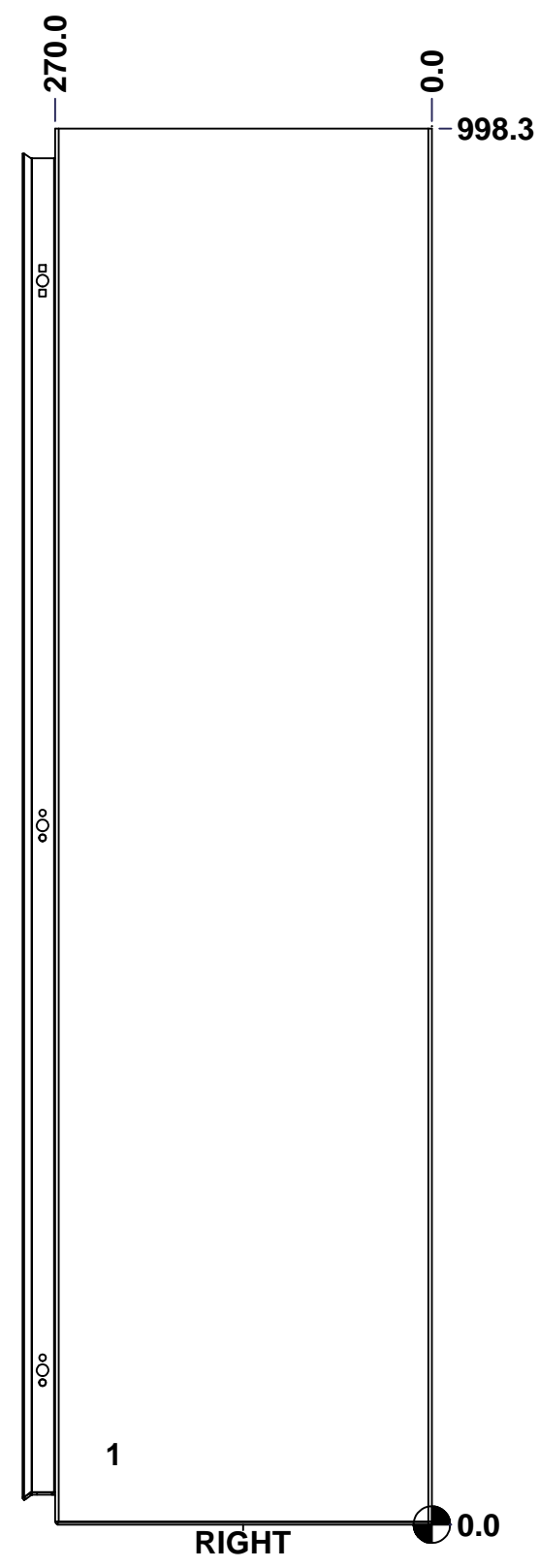
 Tél: (450) 979-4373 Fax: (450) 979-4626 www.exmweb.com		Flatness Aplatissement  Max 3.0mm
Customer Client		Projection 
Drawn By Dessiné Par BoxCad		Date 09/04/2013
Material Matière 14 Ga H.R.P. & O. (1.7mm)		
Color Couleur Light Grey RAL7035	Finish Fini Rough Textured	
Description 6500ESDD 1000mm x 1000mm x 270mm Body		Detail Rev.
Part Number Numéro Pièce 6500ESDD101030B		Rev. 1 0 / 7

SEE BILL OF MATERIAL ON LAST PAGE

This drawing is confidential and must not be reproduced or used without the consent of EXM

Ce dessin est confidentiel et ne doit pas être reproduit ou utilisé sans le consentement de EXM

STANDARD FEATURES ARE NOT LISTED IN THIS HOLE TABLE			
HOLE TABLE - RIGHT VIEW (CUSTOM FEATURE ONLY)			
CUT-OUT	XDIM	YDIM	DESCRIPTION
1	231.9	50.8	GND STUD M6 x 16mm (Inside)

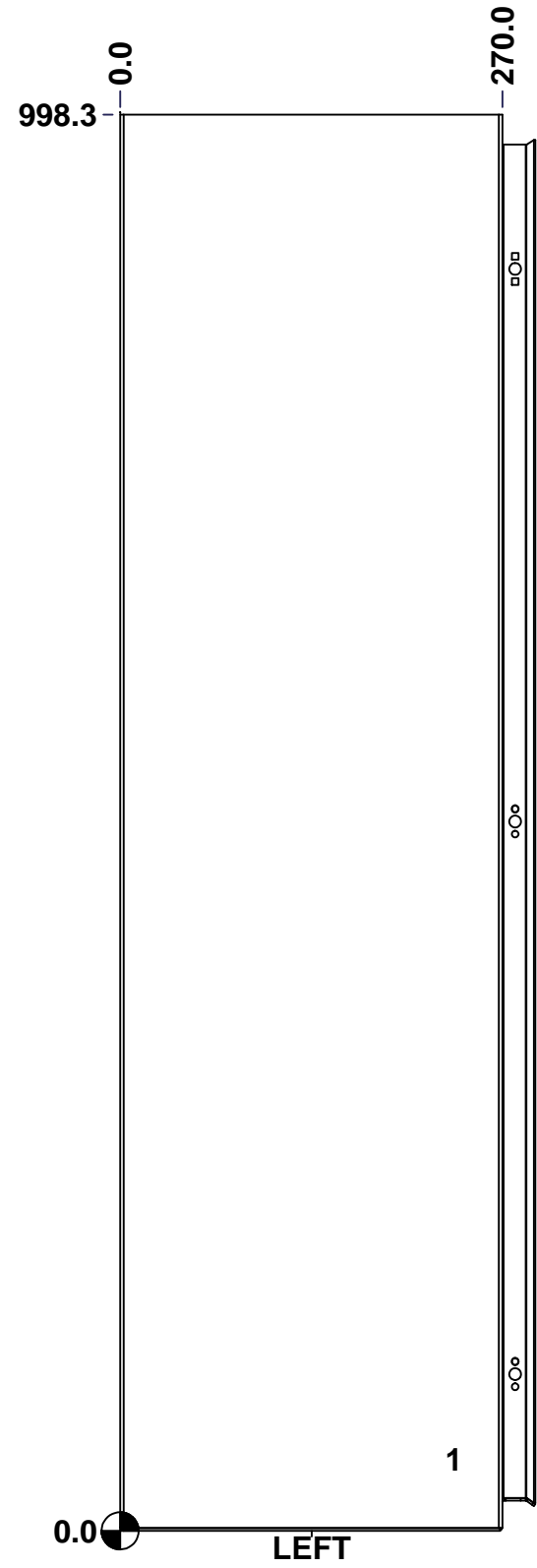


	Description 6500ESDD 1000mm x 1000mm x 270mm Body	Status Released
	Part Number Numéro Pièce 6500ESDD101030B	Rev. 3 0 / 7

This drawing is confidential and must not be reproduced or used without the consent of EXM

Ce dessin est confidentiel et ne doit pas être reproduit ou utilisé sans le consentement de EXM

STANDARD FEATURES ARE NOT LISTED IN THIS HOLE TABLE			
HOLE TABLE - LEFT VIEW (CUSTOM FEATURE ONLY)			
CUT-OUT	XDIM	YDIM	DESCRIPTION
1	231.9	50.8	GND STUD M6 x 16mm (Inside)



	Description 6500ESDD 1000mm x 1000mm x 270mm Body		Status Released
	Part Number Numéro Pièce 6500ESDD101030B		Rev. 5 0 / 7

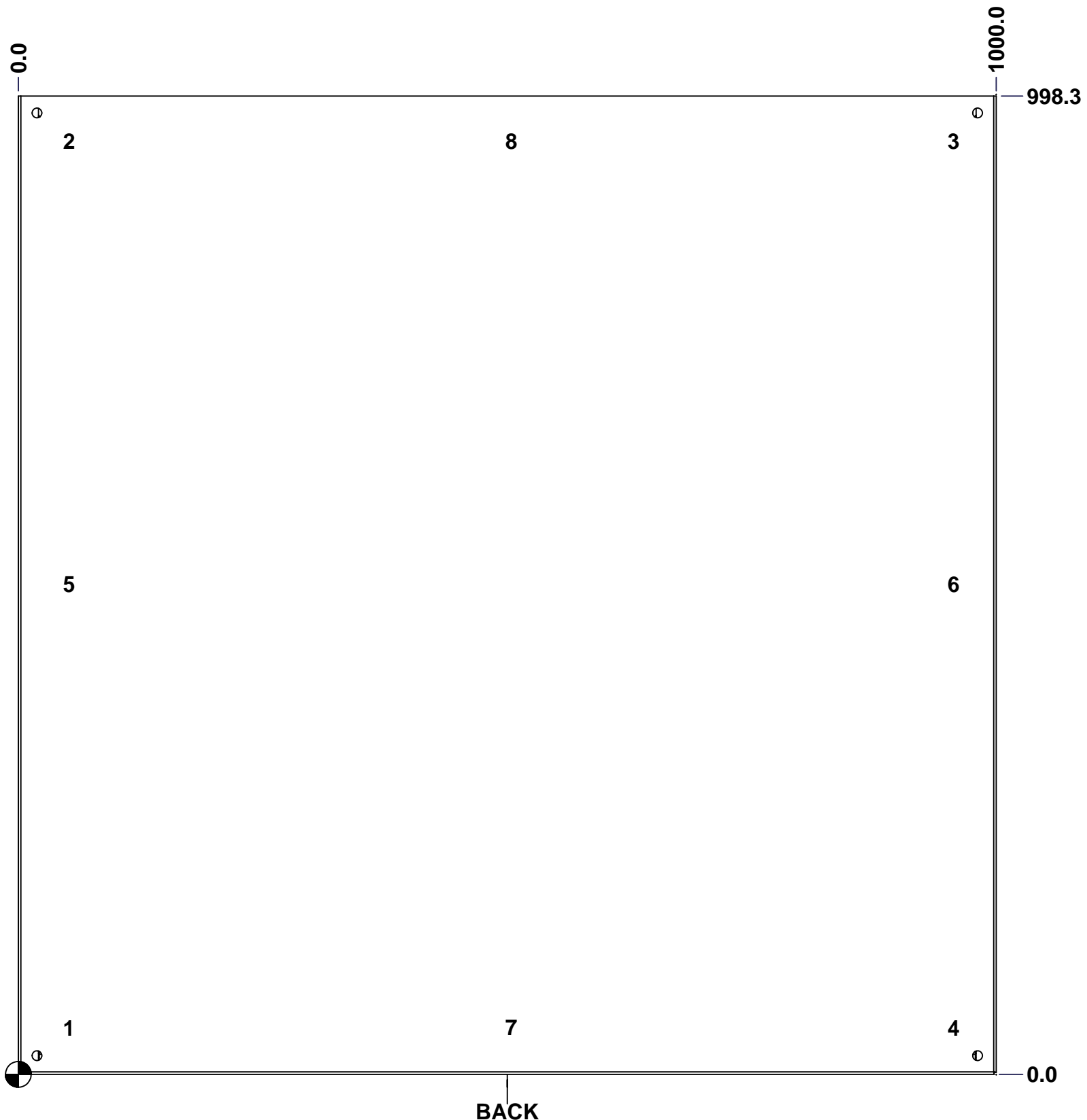
This drawing is confidential and must not be reproduced or used without the consent of EXM

Ce dessin est confidentiel et ne doit pas être reproduit ou utilisé sans le consentement de EXM

STANDARD FEATURES ARE NOT LISTED IN THIS HOLE TABLE

HOLE TABLE - BACK VIEW (CUSTOM FEATURE ONLY)

CUT-OUT	XDIM	YDIM	DESCRIPTION
1	47.6	47.6	IP STUD M8 x 35mm (Inside)
2	47.6	952.4	IP STUD M8 x 35mm (Inside)
3	952.4	952.4	IP STUD M8 x 35mm (Inside)
4	952.4	47.6	IP STUD M8 x 35mm (Inside)
5	47.6	500.0	IP STUD M8 x 35mm (Inside)
6	952.4	500.0	IP STUD M8 x 35mm (Inside)
7	500.0	47.6	IP STUD M8 x 35mm (Inside)
8	500.0	952.4	IP STUD M8 x 35mm (Inside)

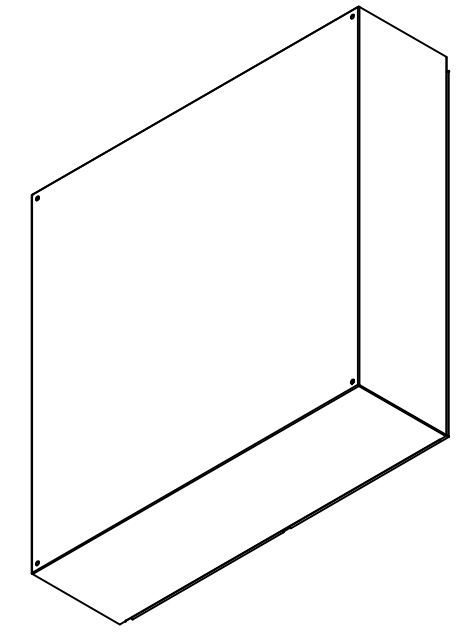


	Description 6500ESDD 1000mm x 1000mm x 270mm Body	Status Released
	Part Number Numéro Pièce 6500ESDD101030B	Rev. 6 0 / 7

This drawing is confidential and must not be reproduced or used without the consent of EXM


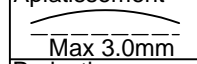
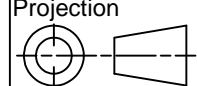
Ce dessin est confidentiel et ne doit pas être reproduit ou utilisé sans le consentement de EXM

No.	Revisions	Date	By/Par



Isometric View

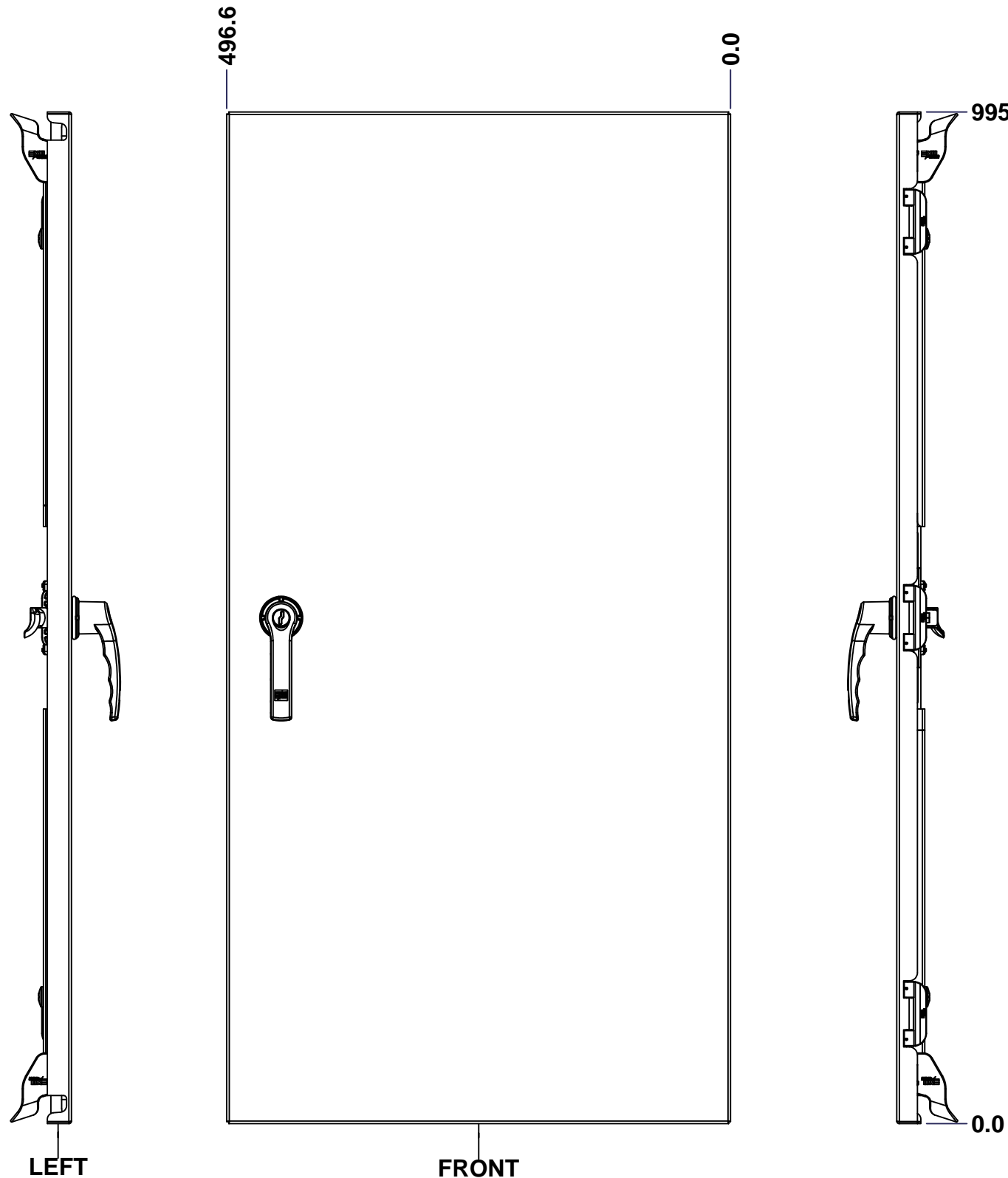
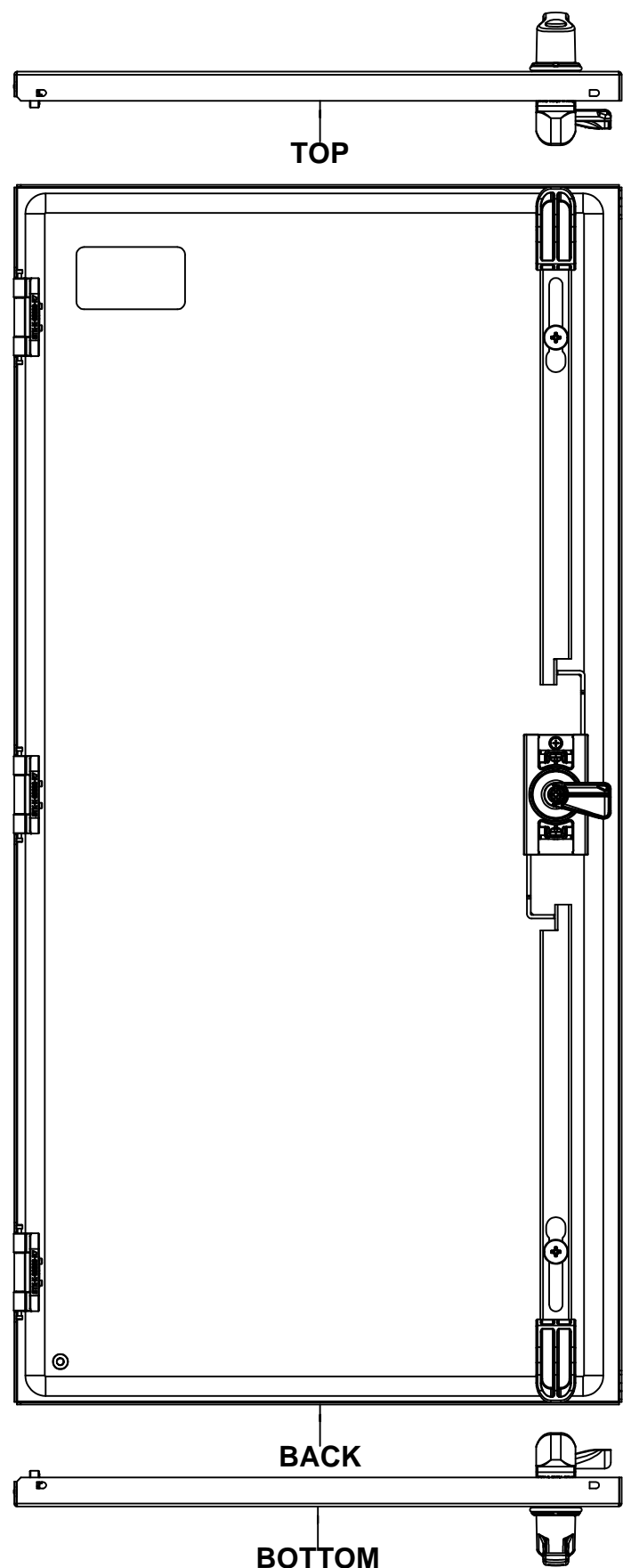


 Tél: (450) 979-4373 Fax: (450) 979-4626 www.exmweb.com		Flatness Aplatissement  Max 3.0mm Projection 
Customer Client	Date	
Drawn By Dessiné Par	BoxCad	Date 09/04/2013
Material Matière	14 Ga H.R.P. & O. (1.7mm)	
Color Couleur	Light Grey RAL7035	Finish Fini
Description		Detail Rev.
6500ESDD 1000mm x 1000mm x 270mm Body		
Part Number Numéro Pièce	6500ESDD101030B	Rev. 7
		0 / 7

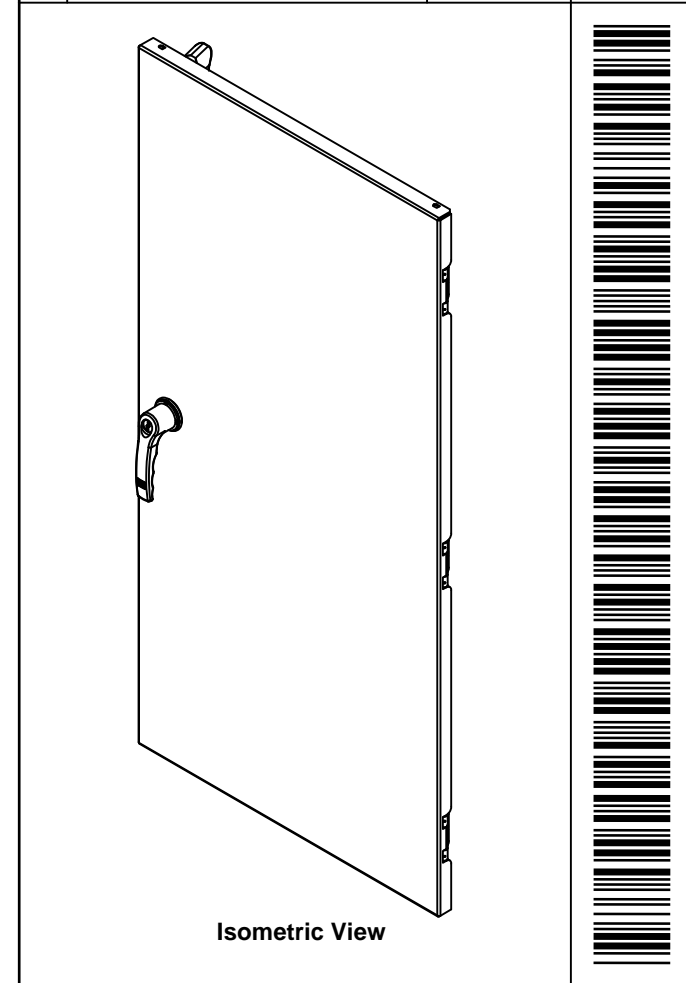
Qty	Part Number	Rev	Description
8	STK-Q-16005	1	Stud M8 x 35 (No Paint Cap Required)
2	STK-Q-16080	0.1.1	M6 x 16mm Ground Stud
1	6500ESDD101030T-P	0	6500ESDD 1000mm x 270mm Top Part
1	STK-P-03820R	0	Powder Paint (Light Grey / Rough Textured)
1	6500ESDD101030B-P	0	6500ESDD 1000mm x 1000mm x 270mm Body Part
Parts List			


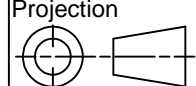
This drawing is confidential and must not be reproduced or used without the consent of EXM

Ce dessin est confidentiel et ne doit pas être reproduit ou utilisé sans le consentement de EXM



No.	Revisions	Date	By/Par



 Tél: (450) 979-4373 Fax: (450) 979-4626 www.exmweb.com		Flatness Aplatissement	
		Max 3.0mm	
Customer Client		Date	
Drawn By Dessiné Par BoxCad: Annie		Date 09/04/2013	
Material Matière 14 Ga H.R.P. & O. (1.7mm)		Projection	
Color Couleur Light Grey RAL7035		 Finish Fini Rough Textured	
Description 6500ESDD 1000mm x 1000mm Lock Door		Detail Rev.	
Part Number Numéro Pièce 6500ESDD101030LD		Rev. 0	1 3

SEE BILL OF MATERIAL ON LAST PAGE

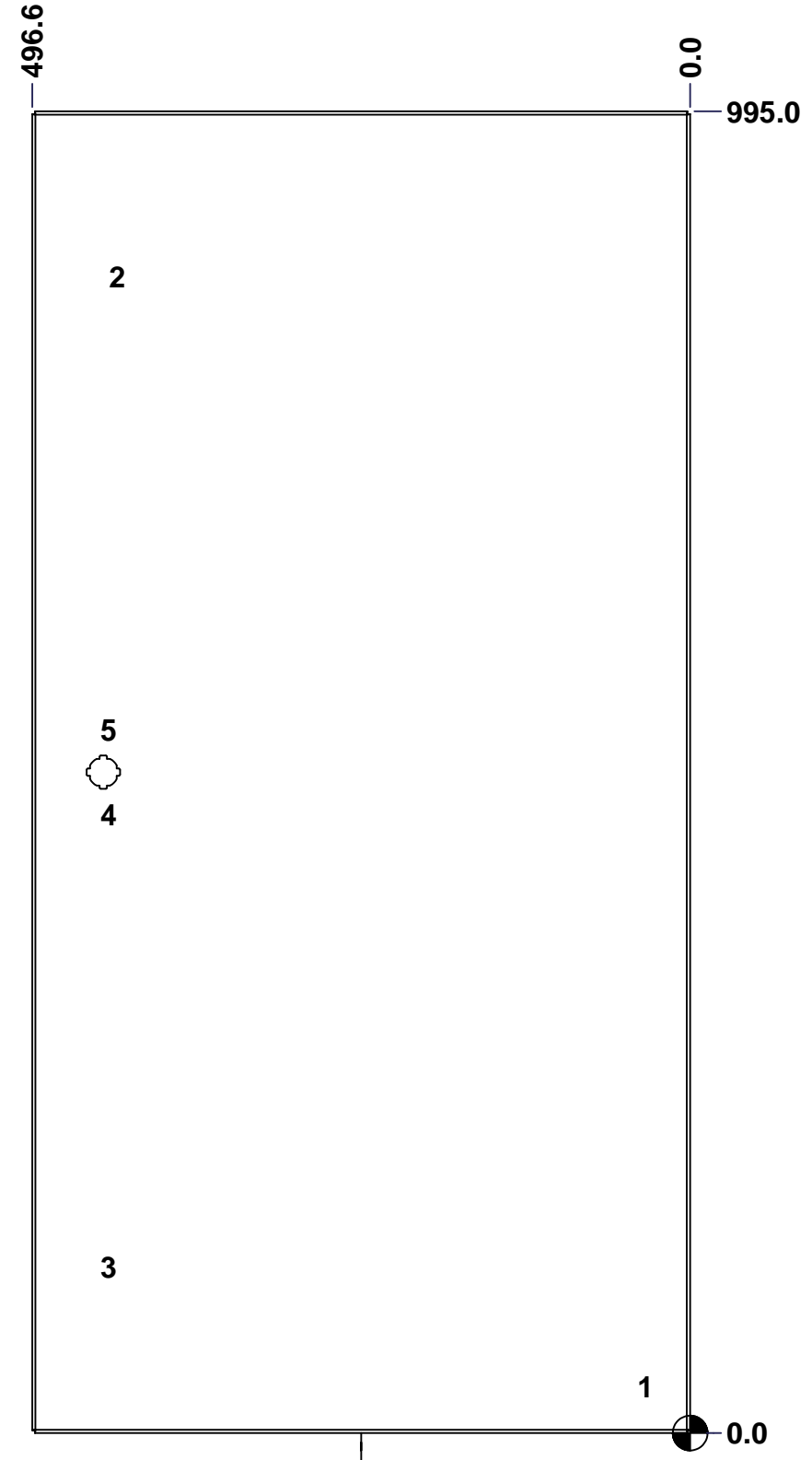
This drawing is confidential and must not be reproduced or used without the consent of EXM

Ce dessin est confidentiel et ne doit pas être reproduit ou utilisé sans le consentement de EXM

STANDARD FEATURES ARE NOT LISTED IN THIS HOLE TABLE

HOLE TABLE - FRONT VIEW (CUSTOM FEATURE ONLY)

CUT-OUT	XDIM	YDIM	DESCRIPTION
1	37.7	35.0	GND STUD M6 x 16mm (Inside)
2	436.5	870.4	STUD M6 x 18mm (Inside)
3	442.8	124.6	STUD M6 x 18mm (Inside)
4	442.8	465.7	GEARBOX STUD (Inside)
5	442.8	529.2	GEARBOX STUD (Inside)



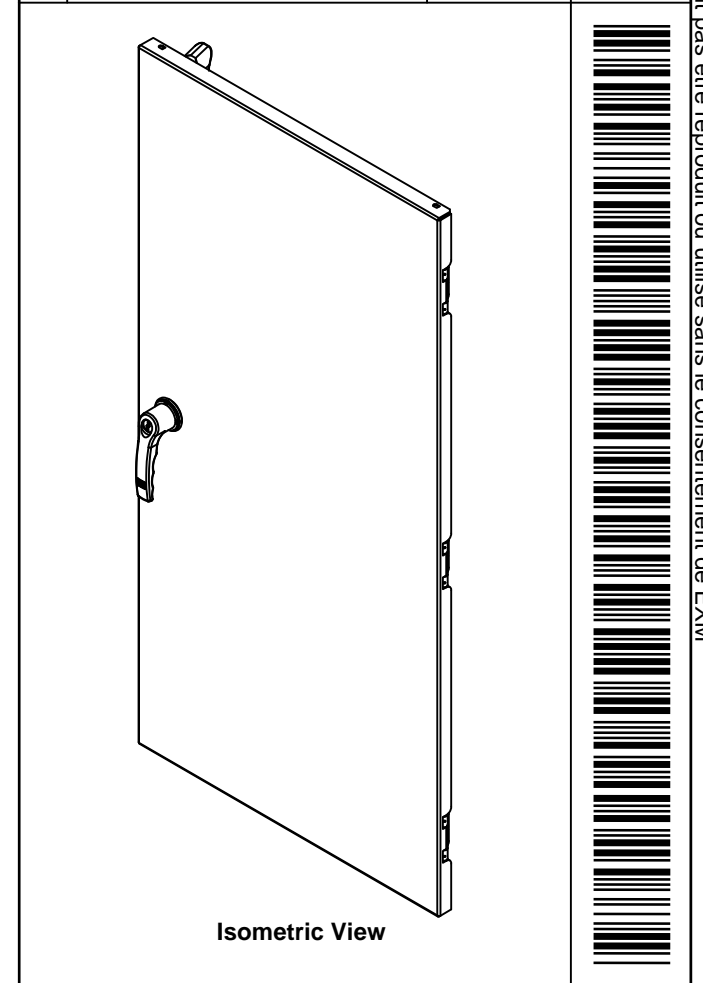
FRONT

	Description		Status	
	6500ESDD 1000mm x 1000mm Lock Door		Released	
	Part Number Numéro Pièce		Rev.	2
	6500ESDD101030LD		0	3

This drawing is confidential and must not be reproduced or used without the consent of EXM


Ce dessin est confidentiel et ne doit pas être reproduit ou utilisé sans le consentement de EXM

No.	Revisions	Date	By/Par



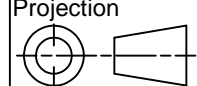
Qty	Part Number	Rev	Description
1	6500ESDD101030LDG	0	6500ESDD 1000mm x 1000mm Lock Door Gasket
1	STK-S-00100	0.1.1	3.5" x 2" Silver Milar Flexcon Sticker
1	STK-A-03980-32	1	Gearbox Counter Clockwise Assembly (Grip 32mm)
2	STK-Q-78022	0	Mtrx Closing Bar Slider
2	STK-Q-16055	1	M6 x 18mm Stud (No Paint Cap Required)
1	STK-Q-16080	0.1.1	M6 x 16mm Ground Stud
1	885 ESL2A	0	5412 ES Key Lock L-Handle (3 Pts)
1	STK-P-03820R	0	Powder Paint (Light Grey / Rough Textured)
1	6500ESDD101030LD-P	0	6500ESDD 1000mm x 1000mm Lock Door Part
2	6500ESDD101030CB	4	5500 ESDD Closing Bar 39.3700787401575"
3	STK-K-09800	5	5412 ES Hinge with 2 Captive Hinge Pins

Parts List



Tél: (450) 979-4373
 Fax: (450) 979-4626
www.exmweb.com

Flatness
Aplatissement
Max 3.0mm

Projection


Date

Date 09/04/2013

Customer Client

Drawn By / Dessiné Par: BoxCad: Annie

Material Matière: 14 Ga H.R.P. & O. (1.7mm)

Color Couleur: Light Grey RAL7035

Finish Fini: Rough Textured

Description: 6500ESDD 1000mm x 1000mm Lock Door

Part Number / Numéro Pièce: **6500ESDD101030LD**

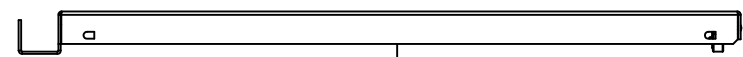
Rev. 3

0

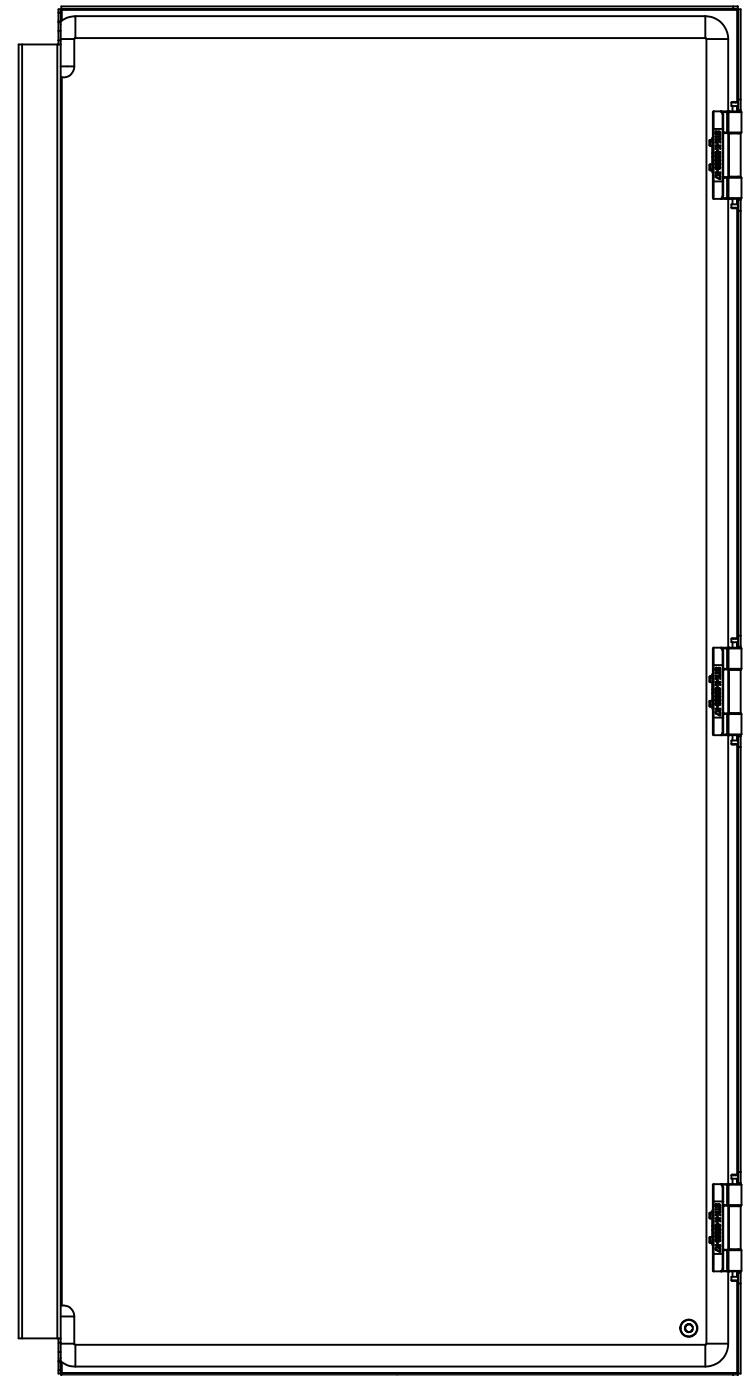
3

This drawing is confidential and must not be reproduced or used without the consent of EXM

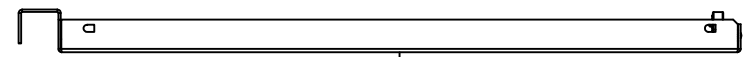
Ce dessin est confidentiel et ne doit pas être reproduit ou utilisé sans le consentement de EXM



TOP



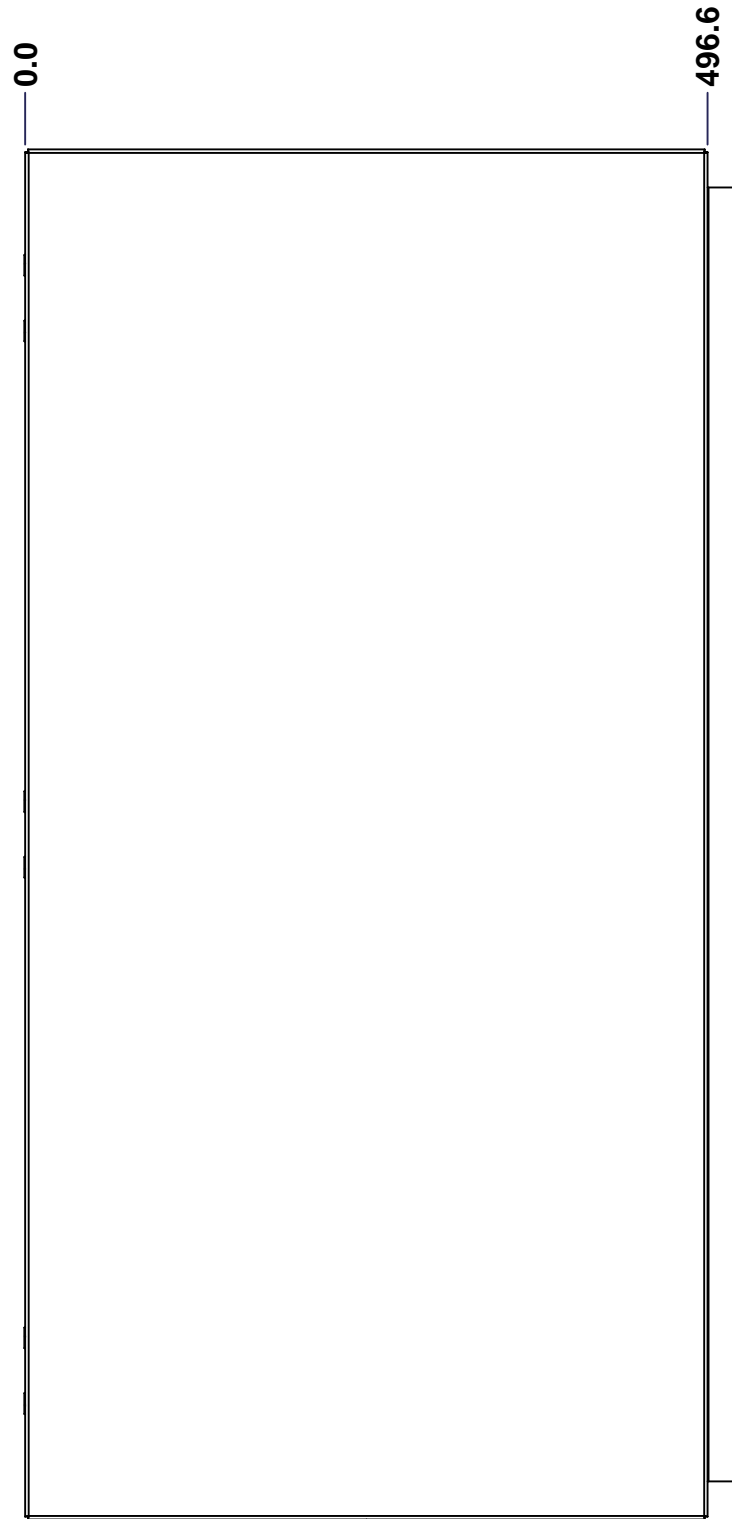
BACK



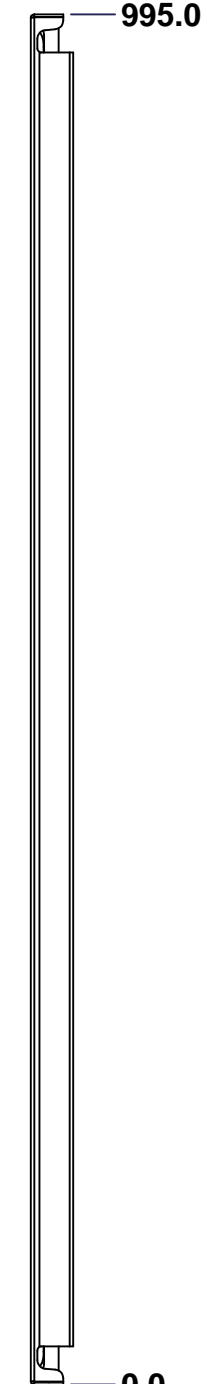
BOTTOM



LEFT

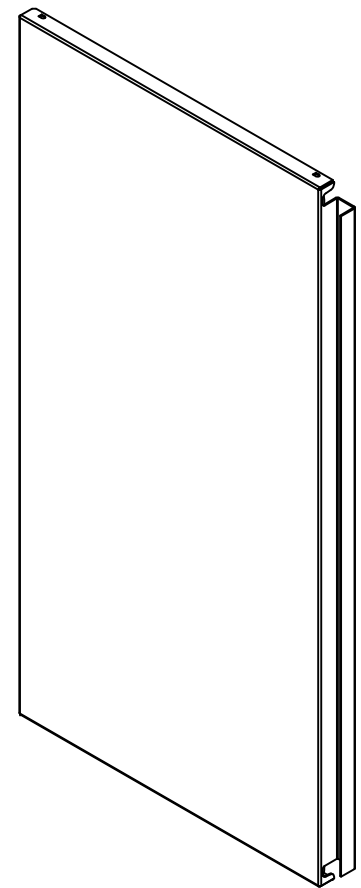


FRONT



RIGHT

No.	Revisions	Date	By/Par



Isometric View



Tél: (450) 979-4373
 Fax: (450) 979-4626
www.exmweb.com

Flatness
Aplatissement
Max 3.0mm
Projection

Customer Client
 Drawn By Dessiné Par BoxCad: Annie
 Material Matière 14 Ga H.R.P. & O. (1.7mm)
 Date 09/04/2013

Color Couleur Light Grey RAL7035
 Finish Fini Rough Textured

Description 6500ESDD 1000mm x 1000mm Flange Door
 Detail Rev.

Part Number Numéro Pièce 6500ESDD101030FD
 Rev. 0

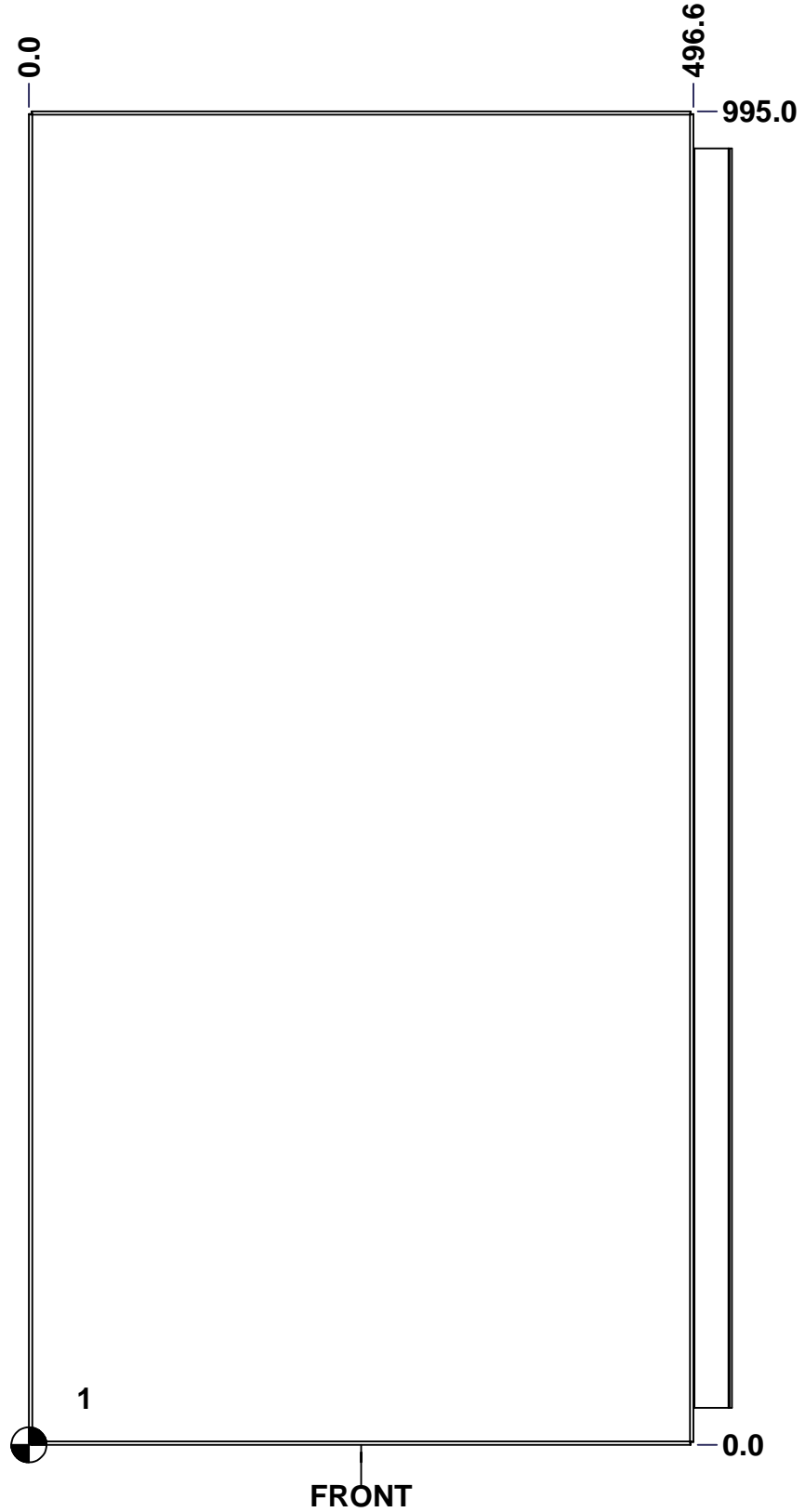
SEE BILL OF MATERIAL ON LAST PAGE

1
3

This drawing is confidential and must not be reproduced or used without the consent of EXM

Ce dessin est confidentiel et ne doit pas être reproduit ou utilisé sans le consentement de EXM

STANDARD FEATURES ARE NOT LISTED IN THIS HOLE TABLE			
HOLE TABLE - FRONT VIEW (CUSTOM FEATURE ONLY)			
CUT-OUT	XDIM	YDIM	DESCRIPTION
1	37.744	34.998	GND STUD M6 x 16mm (Inside)

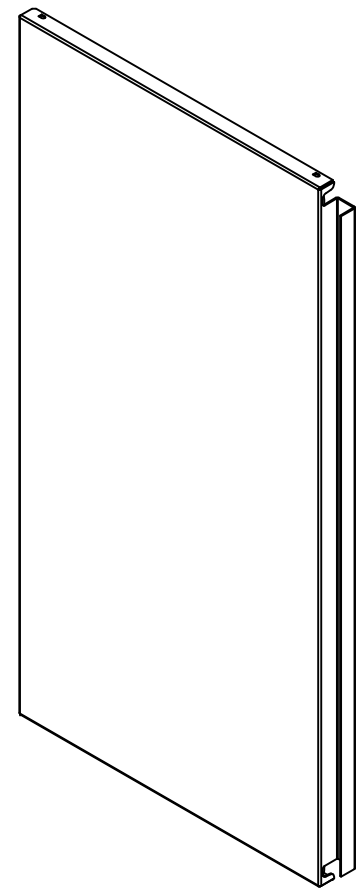


	Description 6500ESDD 1000mm x 1000mm Flange Door		Status Released
	Part Number Numéro Pièce 6500ESDD101030FD		Rev. 2 0 / 3

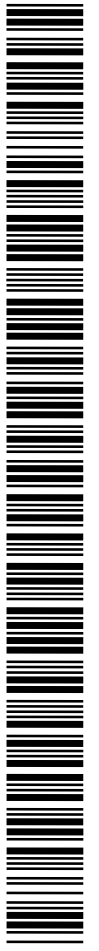
This drawing is confidential and must not be reproduced or used without the consent of EXM


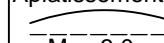
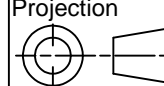
Ce dessin est confidentiel et ne doit pas être reproduit ou utilisé sans le consentement de EXM

No.	Revisions	Date	By/Par



Isometric View

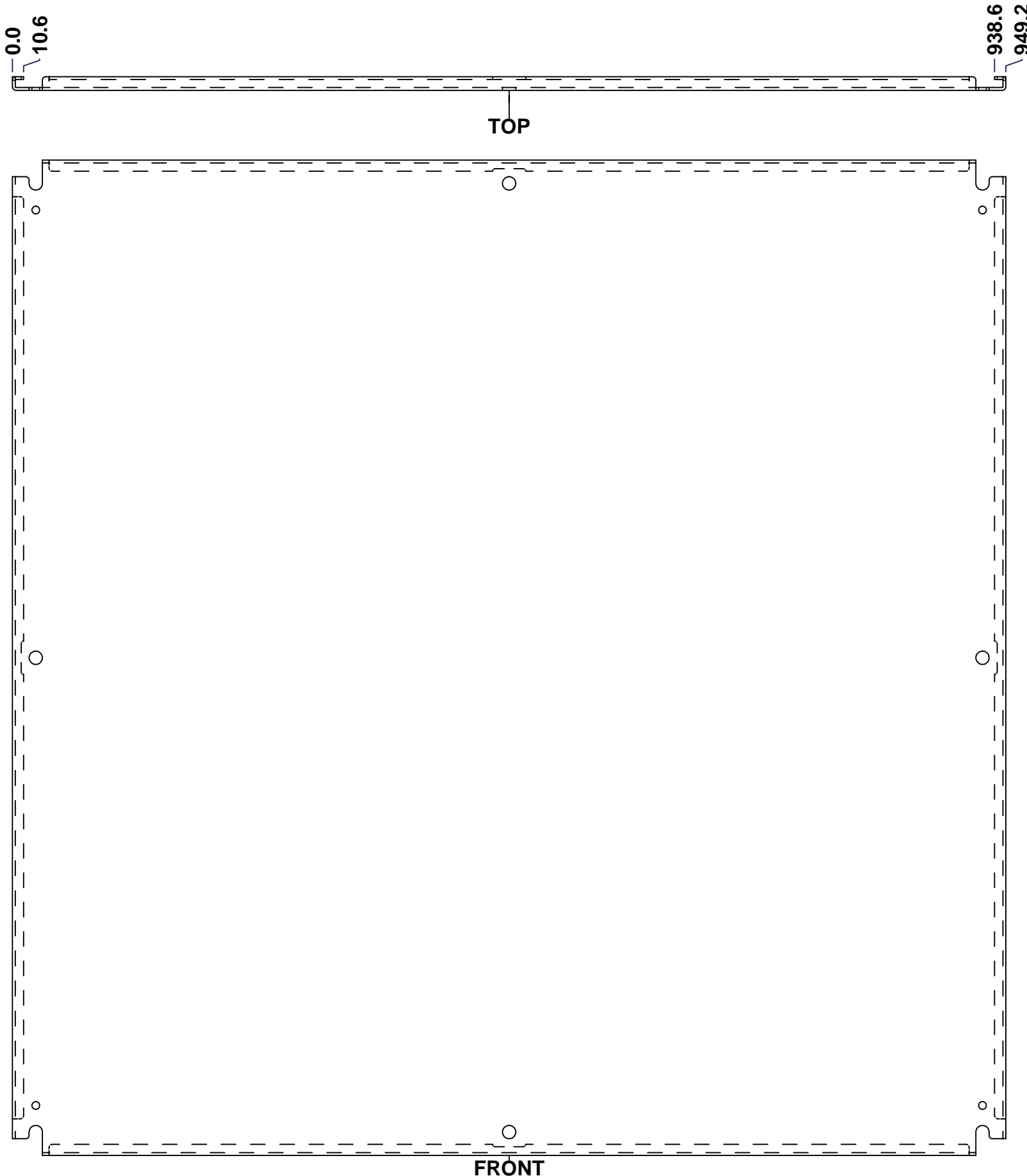


 Tél: (450) 979-4373 Fax: (450) 979-4626 www.exmweb.com		Flatness Aplatissement  Max 3.0mm Projection 
Customer Client	Date	
Drawn By Dessiné Par	BoxCad: Annie	Date 09/04/2013
Material Matière	14 Ga H.R.P. & O. (1.7mm)	
Color Couleur	Light Grey RAL7035	Finish Fini
Description		Detail Rev.
6500ESDD 1000mm x 1000mm Flange Door		
Part Number Numéro Pièce	Rev.	3
6500ESDD101030FD	0	3

Qty	Part Name	Rev	Description
1	6500ESDD101030FDG	0	6500ESDD 1000mm x 1000mm Flange Door Gasket
1	STK-Q-16080	0.1	M6 x 16mm Ground Stud
1	STK-P-03820R	0	Powder Paint (Light Grey / Rough Textured)
1	6500ESDD101030FD-P	0	6500ESDD 1000mm x 1000mm Flange Door Part
3	STK-K-09800	5	5412 ES Hinge with 2 Captive Hinge Pins
Parts List			

This drawing is confidential and must not be reproduced or used without the consent of EXM

Ce dessin est confidentiel et ne doit pas être reproduit ou utilisé sans le consentement de EXM



SEE BILL OF MATERIAL ON LAST PAGE

No.	Revisions	Date	By/Par

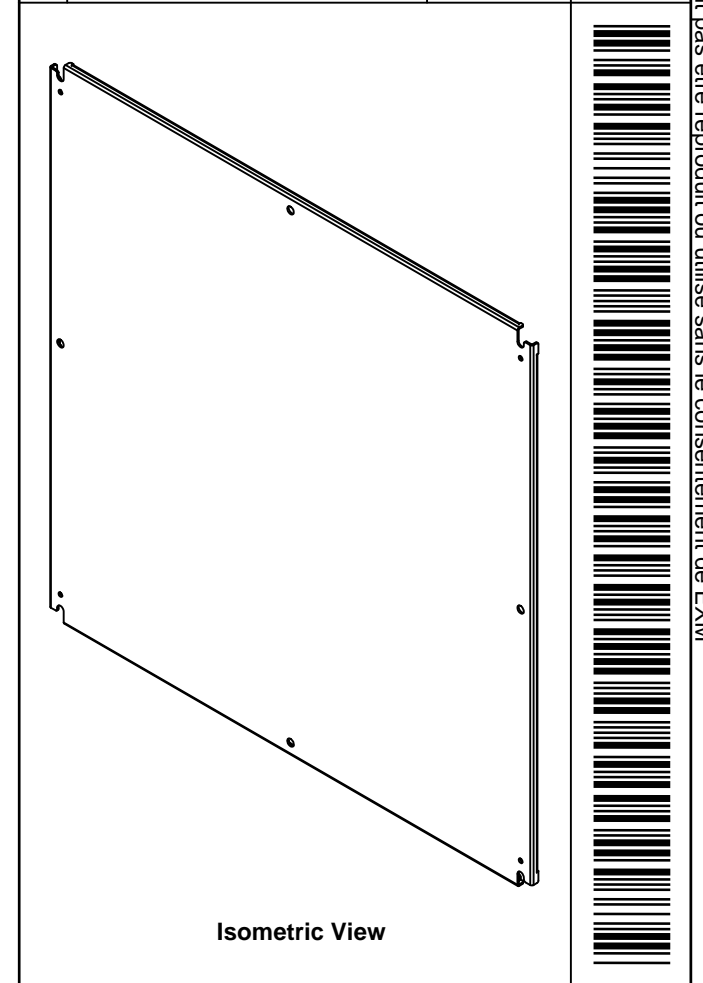
Isometric View

<p>Tél: (450) 979-4373 Fax: (450) 979-4626 www.exmweb.com</p>		Flatness Aplatissement	
		Max 3.0mm	
Customer Client		Date	
Drawn By Dessiné Par: BoxCad: Annie		Date: 09/04/2013	
Material Matière: 12 Ga H.R.P. & O. (2.5mm)		Projection	
Color Couleur: White RAL9003		Finish Fini: Smooth	
Description 6500ESDD 1000mm x 1000mm Inner Panel		Detail Rev.	
Part Number Numéro Pièce: 6500ESDD101030IP		Rev. 0	1 / 3

This drawing is confidential and must not be reproduced or used without the consent of EXM

Ce dessin est confidentiel et ne doit pas être reproduit ou utilisé sans le consentement de EXM

No.	Revisions	Date	By/Par



Tél: (450) 979-4373 Fax: (450) 979-4626 www.exmweb.com		Flatness Aplatissement	
		Max 3.0mm Projection	
Customer Client		Date	
Drawn By Dessiné Par		Date	
BoxCad: Annie		09/04/2013	
Material Matière			
12 Ga H.R.P. & O. (2.5mm)			
Color Couleur		Finish Fini	
White RAL9003		Smooth	
Description			Detail Rev.
6500ESDD 1000mm x 1000mm Inner Panel			
Part Number Numéro Pièce		Rev.	3
6500ESDD101030IP		0	3

Qty	Part Number	Rev	Description
1	STK-P-02401S	0	Powder Paint (White / Smooth)
1	6500ESDD101030IP-P	0	6500ESDD 1000mm x 1000mm Inner Panel Part
Parts List			