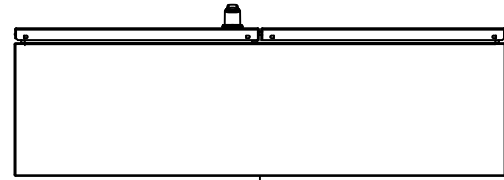
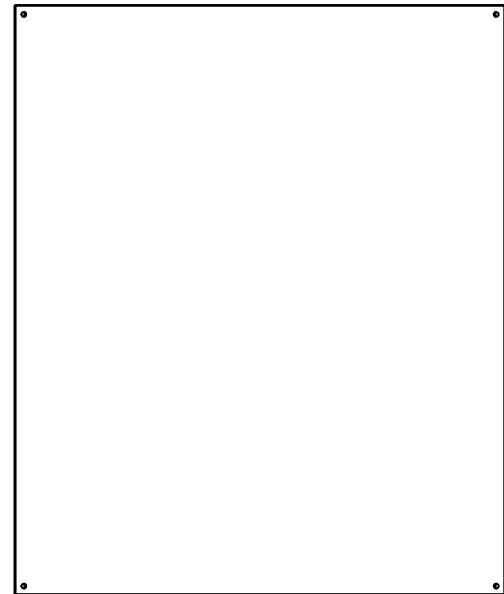


This drawing is confidential and must not be reproduced or used without the consent of EXM

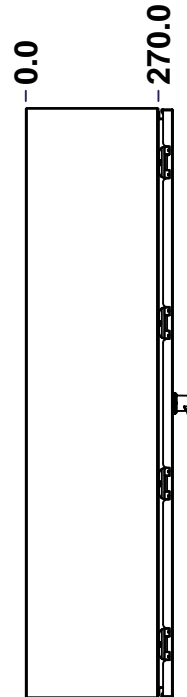
Ce dessin est confidentiel et ne doit pas être reproduit ou utilisé sans le consentement de EXM



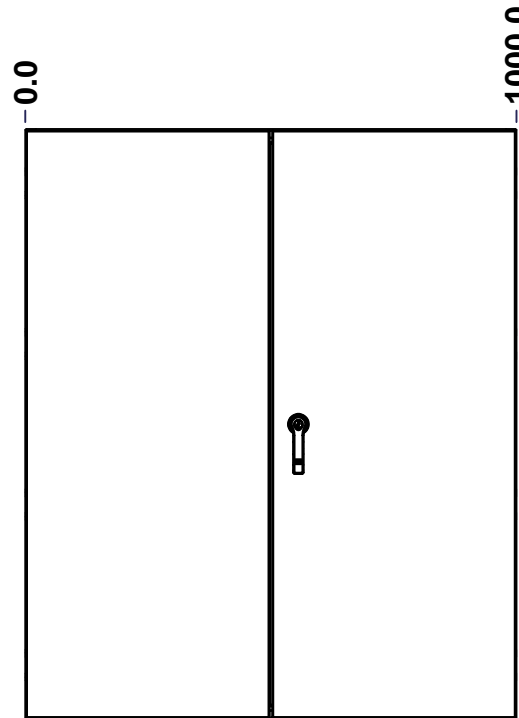
TOP



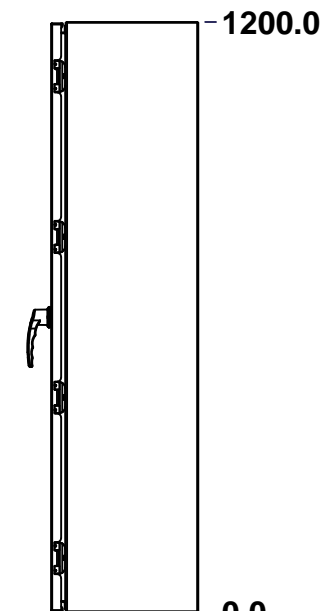
BACK



LEFT

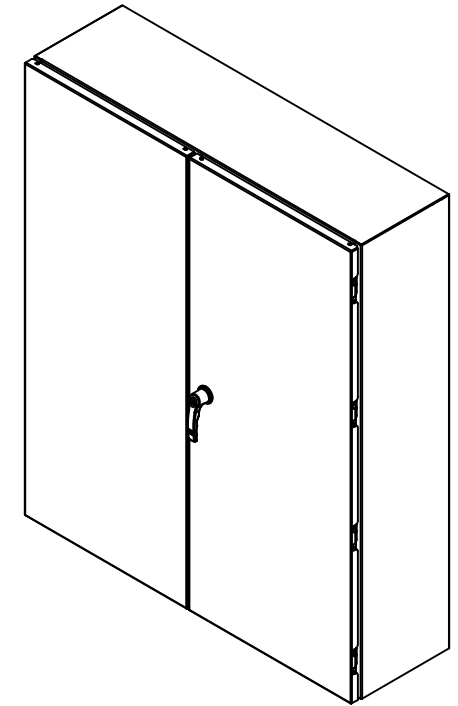


FRONT

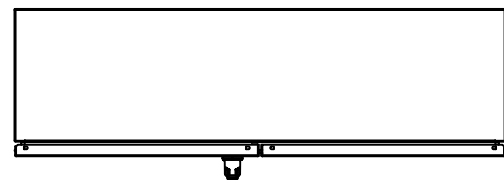



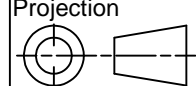
RIGHT

| No. | Revisions | Date | By/Par |
|-----|-----------|------|--------|
| | | | |
| | | | |
| | | | |
| | | | |
| | | | |



Isometric View



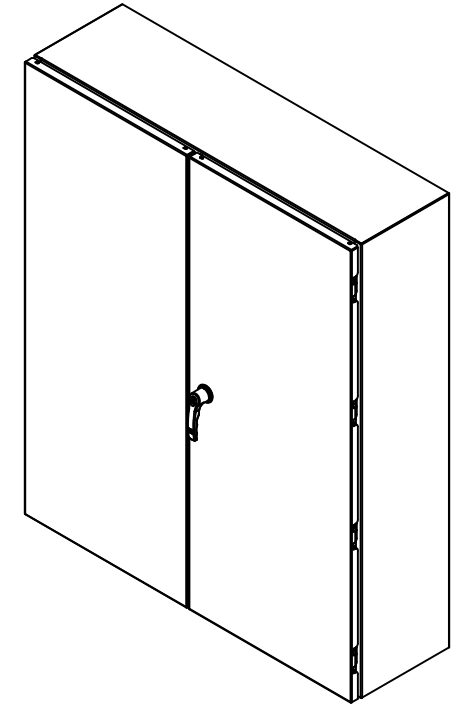
| | | |
|--|---------------------------|---|
|  Tél: (450) 979-4373 Fax: (450) 979-4626 www.exmweb.com | | Flatness Aplatissement Max 3.0mm Projection  |
| Customer Client | Date | |
| Drawn By Dessiné Par | BoxCad: Annie | Date 28/02/2014 |
| Material Matière | 14 Ga H.R.P. & O. (1.7mm) | |
| Color Couleur | Light Grey RAL7035 | Finish Fini Rough Textured |
| Description | Detail Rev. | |
| 6500ESDD 1200mm x 1000mm x 270mm Enclosure Assembly | | |
| Part Number Numéro Pièce | Rev. | 1 2 |
| 6500ESDD101230 | 0 | |

SEE BILL OF MATERIAL ON LAST PAGE

This drawing is confidential and must not be reproduced or used without the consent of EXM

Ce dessin est confidentiel et ne doit pas être reproduit ou utilisé sans le consentement de EXM

| No. | Revisions | Date | By/Par |
|-----|-----------|------|--------|
| | | | |
| | | | |
| | | | |
| | | | |
| | | | |



Isometric View

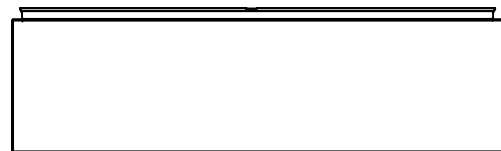


| Qty | Part Number | Rev | Description |
|------------|------------------|-----|---|
| 1 | 880 PP | 0 | Self Adhesive Print Pocket |
| 1 | STK-K-01800 | 0 | 5412 ES Accessory Kit |
| 1 | 6500ESDD101230FD | 0 | 6500ESDD 1200mm x 1000mm Flange Door |
| 1 | 6500ESDD101230LD | 0 | 6500ESDD 1200mm x 1000mm Lock Door |
| 8 | STK-Q-07310 | 2 | Flange Lock Nut M8 |
| 1 | 6500ESDD101230IP | 0 | 6500ESDD 1200mm x 1000mm Inner Panel |
| 8 | STK-Q-07610 | 7 | M8 Plastic Spacer 22.2mm |
| 1 | 6500ESDD101230B | 0 | 6500ESDD 1200mm x 1000mm x 270mm Body |
| 8 | STK-Q-04050-07 | 5 | M6 x 7mm Hexagon Socket Head Machine Screw with Nyseal |
| 2 | STK-Q-04050-10 | 5 | M6 x 10mm Hexagon Socket Head Machine Screw with Nyseal |
| 2 | STK-Q-74760 | 0 | 5500 ESDD - Flange Door Sealing Block |
| Qty | Part Number | Rev | Description |
| Parts List | | | |

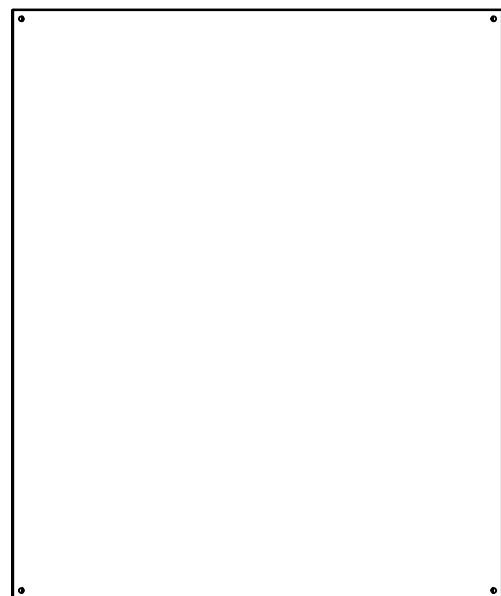
| | | |
|--|---------------------------|--|
| Tél: (450) 979-4373 Fax: (450) 979-4626 www.exmweb.com | | Flatness Aplatissement Max 3.0mm Projection |
| Customer Client | Date | |
| Drawn By Dessiné Par | BoxCad: Annie | Date 28/02/2014 |
| Material Matière | 14 Ga H.R.P. & O. (1.7mm) | |
| Color Couleur | Light Grey RAL7035 | Finish Fini |
| Description | | Detail Rev. |
| 6500ESDD 1200mm x 1000mm x 270mm Enclosure Assembly | | |
| Part Number Numéro Pièce | Rev. | 2 |
| 6500ESDD101230 | 0 | 2 |

This drawing is confidential and must not be reproduced or used without the consent of EXM

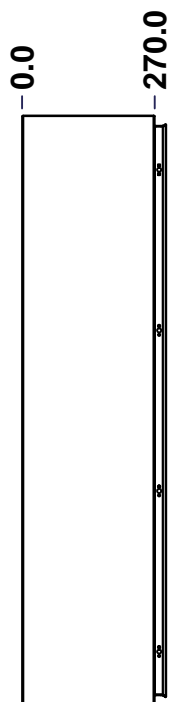
Ce dessin est confidentiel et ne doit pas être reproduit ou utilisé sans le consentement de EXM



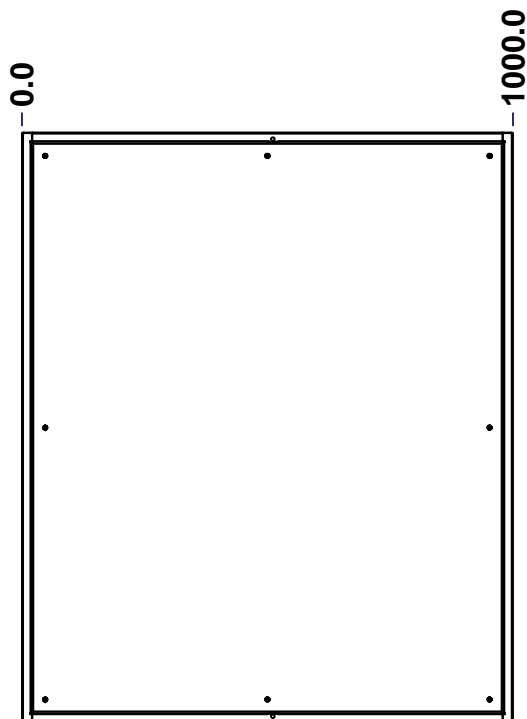
TOP



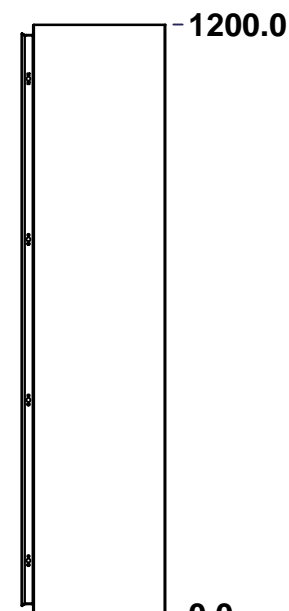
BACK



LEFT



FRONT

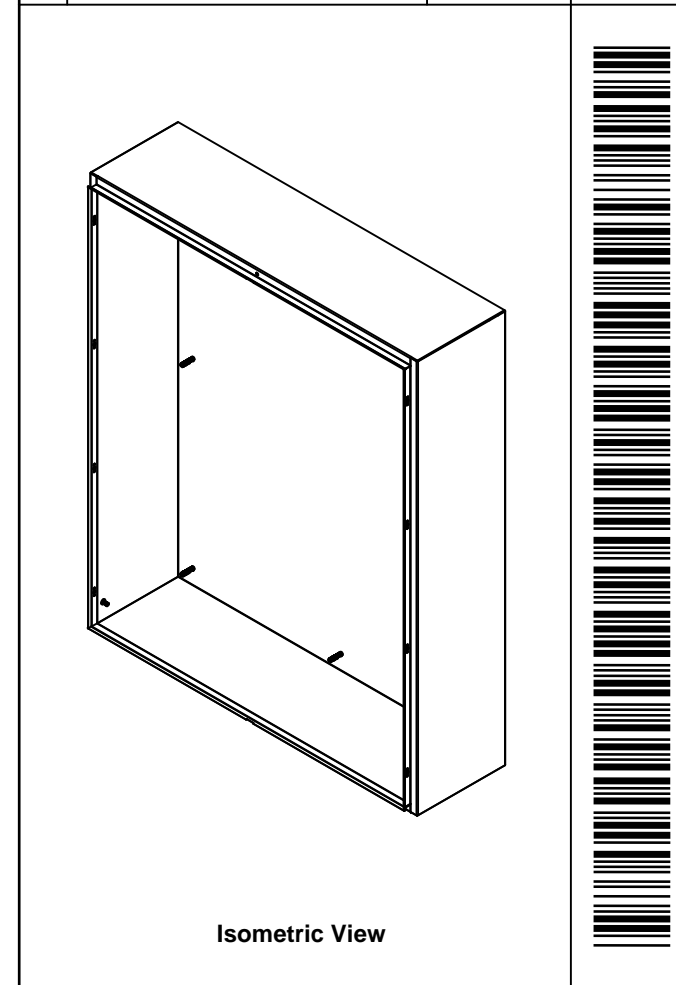




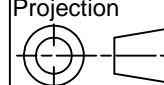
RIGHT



BOTTOM

| No. | Revisions | Date | By/Par |
|-----|-----------|------|--------|
| | | | |
| | | | |
| | | | |
| | | | |
| | | | |



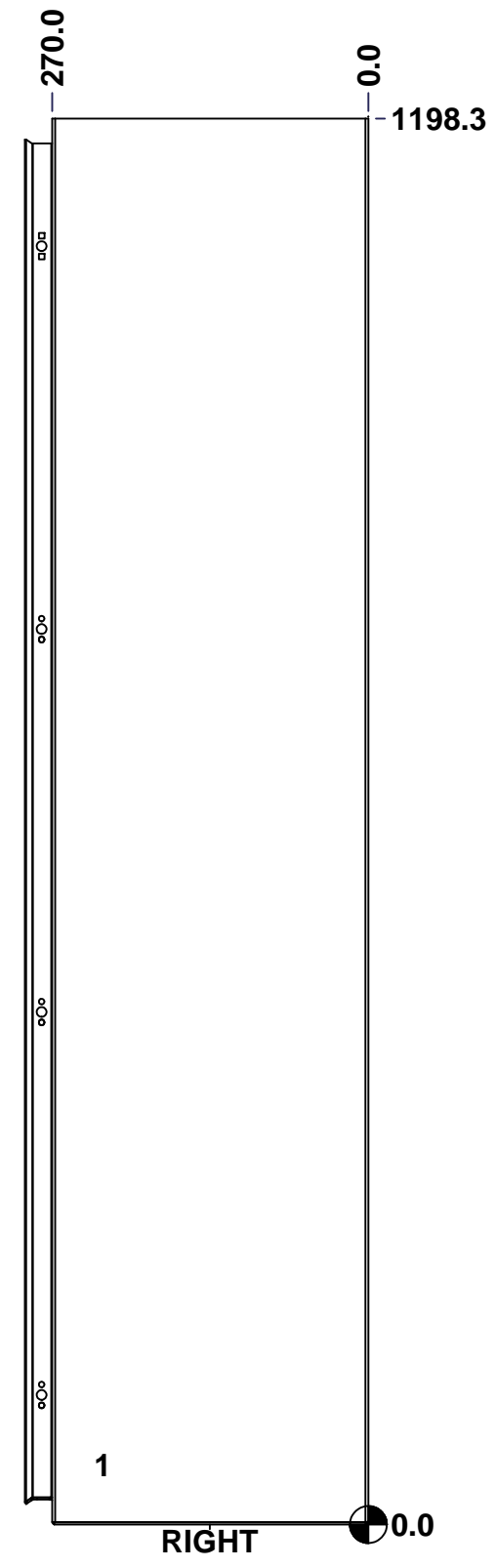
| | | |
|--|-------------------------------|--|
|  Tél: (450) 979-4373 Fax: (450) 979-4626 www.exmweb.com | | Flatness Aplatissement  Max 3.0mm |
| Customer Client | | Projection  |
| Drawn By Dessiné Par BoxCad | | Date 28/02/2014 |
| Material Matière 14 Ga H.R.P. & O. (1.7mm) | | |
| Color Couleur Light Grey RAL7035 | Finish Fini Rough Textured | |
| Description 6500ESDD 1200mm x 1000mm x 270mm Body | | Detail Rev. |
| Part Number Numéro Pièce 6500ESDD101230B | | Rev. 1 0 / 7 |

SEE BILL OF MATERIAL ON LAST PAGE

This drawing is confidential and must not be reproduced or used without the consent of EXM

Ce dessin est confidentiel et ne doit pas être reproduit ou utilisé sans le consentement de EXM

| STANDARD FEATURES ARE NOT LISTED IN THIS HOLE TABLE | | | |
|---|-------|------|-----------------------------|
| HOLE TABLE - RIGHT VIEW (CUSTOM FEATURE ONLY) | | | |
| CUT-OUT | XDIM | YDIM | DESCRIPTION |
| 1 | 231.9 | 50.8 | GND STUD M6 x 16mm (Inside) |

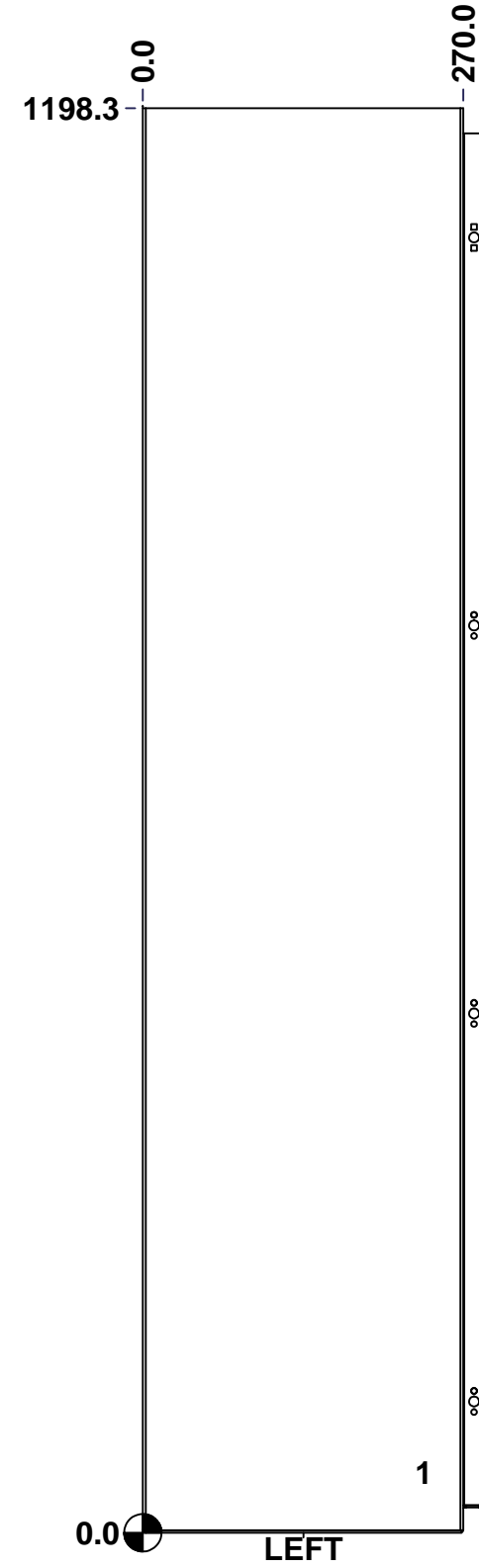


| | | | |
|--|---|--|------------------------|
| | Description 6500ESDD 1200mm x 1000mm x 270mm Body | | Status Released |
| | Part Number Numéro Pièce 6500ESDD101230B | | Rev. 3 0 / 7 |

This drawing is confidential and must not be reproduced or used without the consent of EXM

Ce dessin est confidentiel et ne doit pas être reproduit ou utilisé sans le consentement de EXM

| STANDARD FEATURES ARE NOT LISTED IN THIS HOLE TABLE | | | |
|---|-------|------|-----------------------------|
| HOLE TABLE - LEFT VIEW (CUSTOM FEATURE ONLY) | | | |
| CUT-OUT | XDIM | YDIM | DESCRIPTION |
| 1 | 231.9 | 50.8 | GND STUD M6 x 16mm (Inside) |



| | | | |
|--|---|--|------------------------|
| | Description 6500ESDD 1200mm x 1000mm x 270mm Body | | Status Released |
| | Part Number Numéro Pièce 6500ESDD101230B | | Rev. 5 0 / 7 |

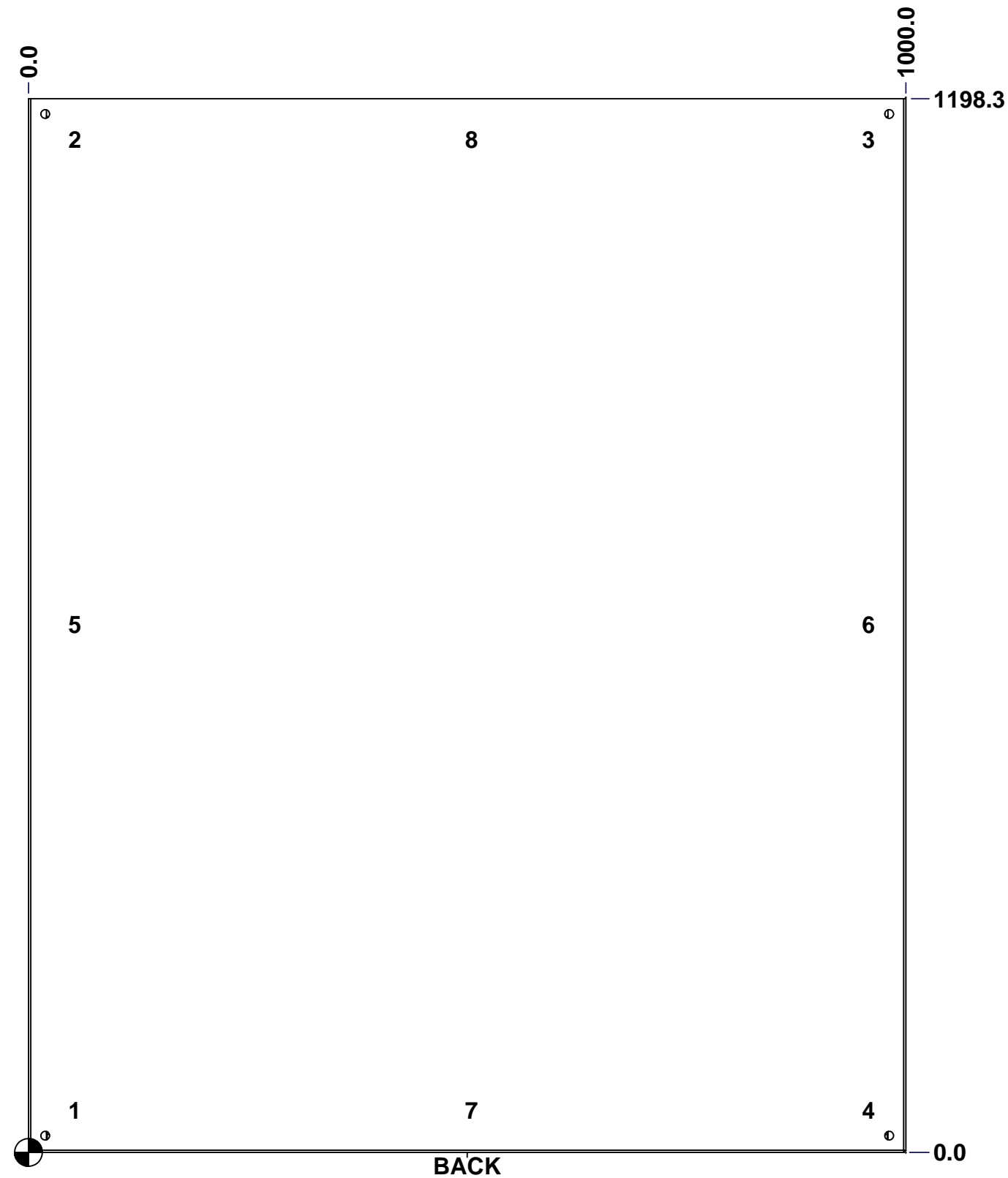
This drawing is confidential and must not be reproduced or used without the consent of EXM

Ce dessin est confidentiel et ne doit pas être reproduit ou utilisé sans le consentement de EXM

STANDARD FEATURES ARE NOT LISTED IN THIS HOLE TABLE

HOLE TABLE - BACK VIEW (CUSTOM FEATURE ONLY)

| CUT-OUT | XDIM | YDIM | DESCRIPTION |
|---------|-------|--------|----------------------------|
| 1 | 47.6 | 47.6 | IP STUD M8 x 35mm (Inside) |
| 2 | 47.6 | 1152.4 | IP STUD M8 x 35mm (Inside) |
| 3 | 952.4 | 1152.4 | IP STUD M8 x 35mm (Inside) |
| 4 | 952.4 | 47.6 | IP STUD M8 x 35mm (Inside) |
| 5 | 47.6 | 600.0 | IP STUD M8 x 35mm (Inside) |
| 6 | 952.4 | 600.0 | IP STUD M8 x 35mm (Inside) |
| 7 | 500.0 | 47.6 | IP STUD M8 x 35mm (Inside) |
| 8 | 500.0 | 1152.4 | IP STUD M8 x 35mm (Inside) |

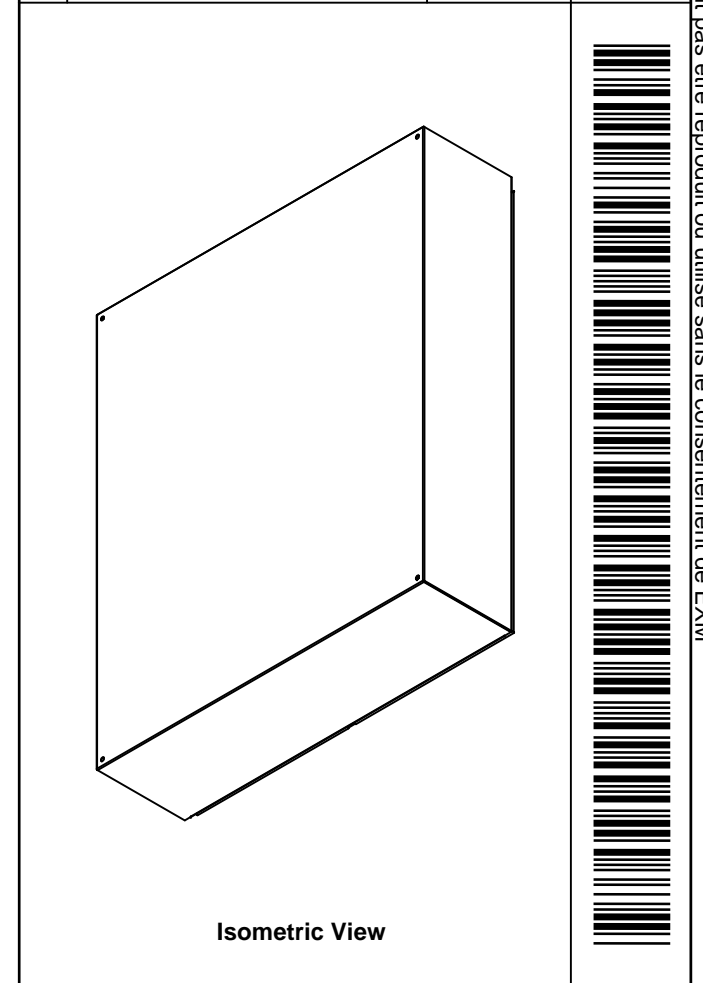


| | | | | |
|--|---|--|--------------------|--------|
| | Description 6500ESDD 1200mm x 1000mm x 270mm Body | | Status Released | |
| | Part Number Numéro Pièce 6500ESDD101230B | | Rev. 0 | 6 7 |


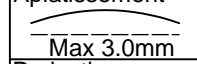
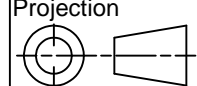
This drawing is confidential and must not be reproduced or used without the consent of EXM

Ce dessin est confidentiel et ne doit pas être reproduit ou utilisé sans le consentement de EXM

| No. | Revisions | Date | By/Par |
|-----|-----------|------|--------|
| | | | |
| | | | |
| | | | |
| | | | |
| | | | |



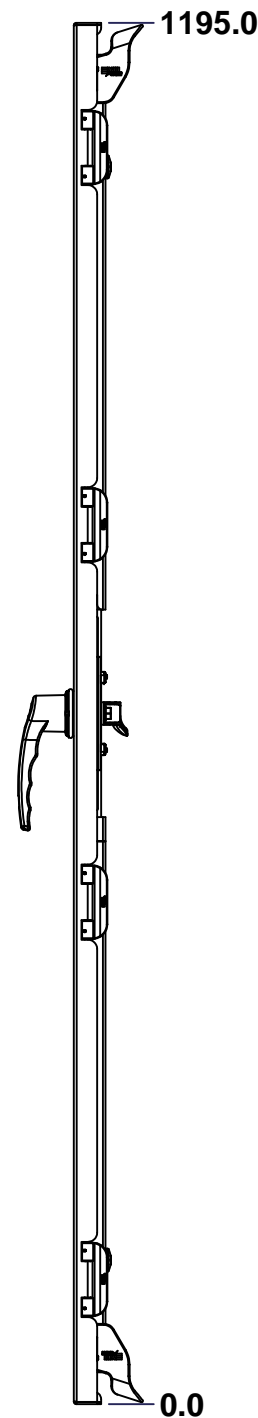
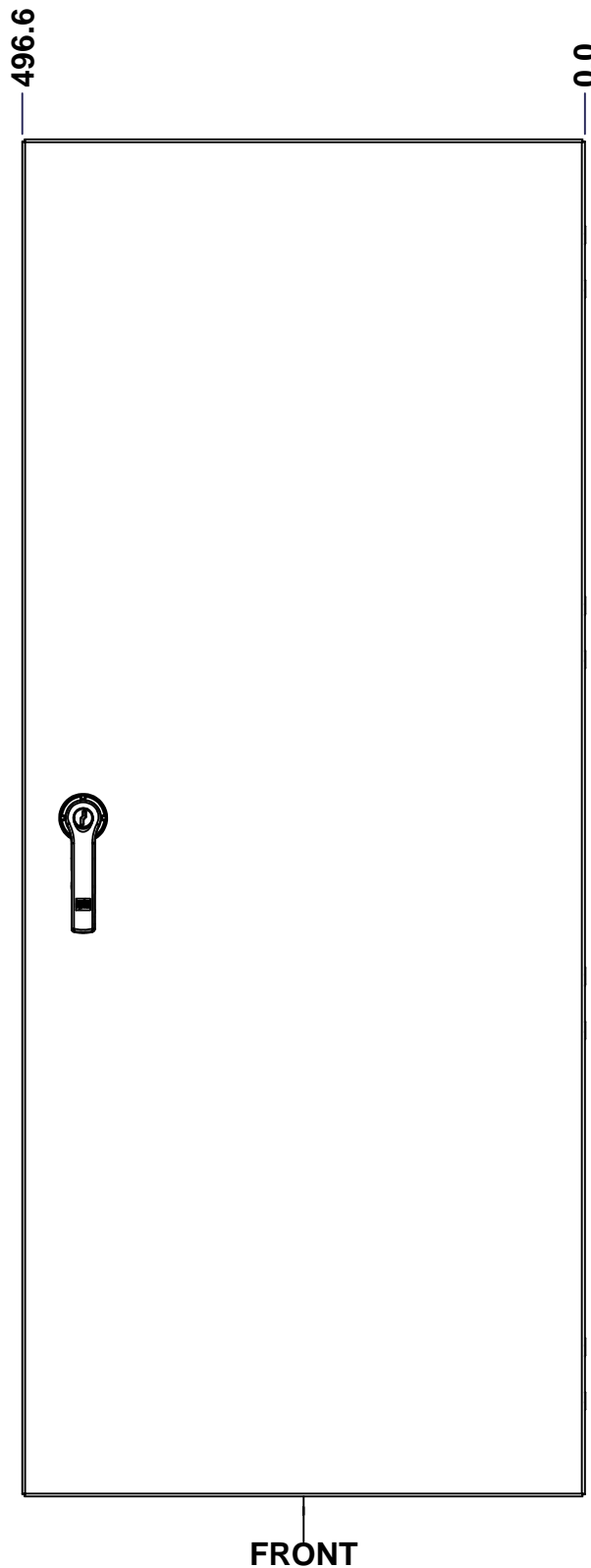
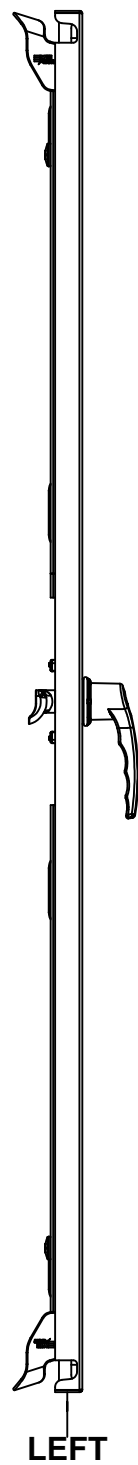
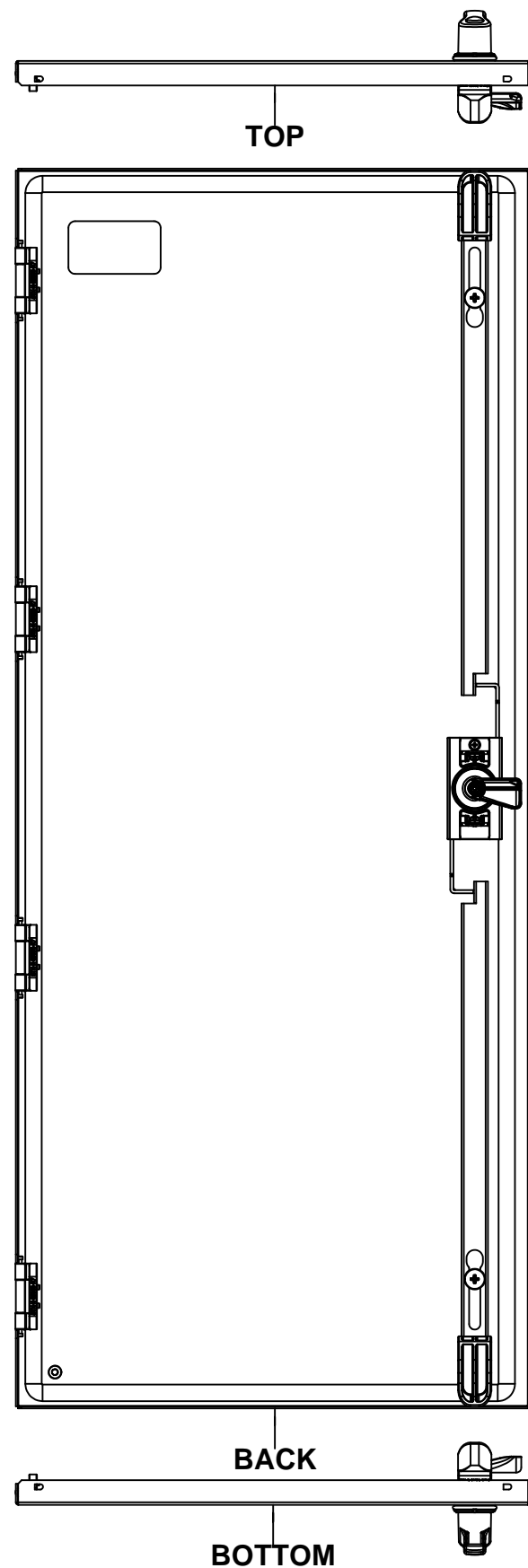
Isometric View

| | | |
|--|---------------------------|--|
|  Tél: (450) 979-4373 Fax: (450) 979-4626 www.exmweb.com | | Flatness Aplatissement  Max 3.0mm Projection  |
| Customer Client | Date | |
| Drawn By Dessiné Par | BoxCad | Date 28/02/2014 |
| Material Matière | 14 Ga H.R.P. & O. (1.7mm) | |
| Color Couleur | Light Grey RAL7035 | Finish Fini |
| Description | | Detail Rev. |
| 6500ESDD 1200mm x 1000mm x 270mm Body | | |
| Part Number Numéro Pièce | Rev. | 7 |
| 6500ESDD101230B | 0 | 7 |

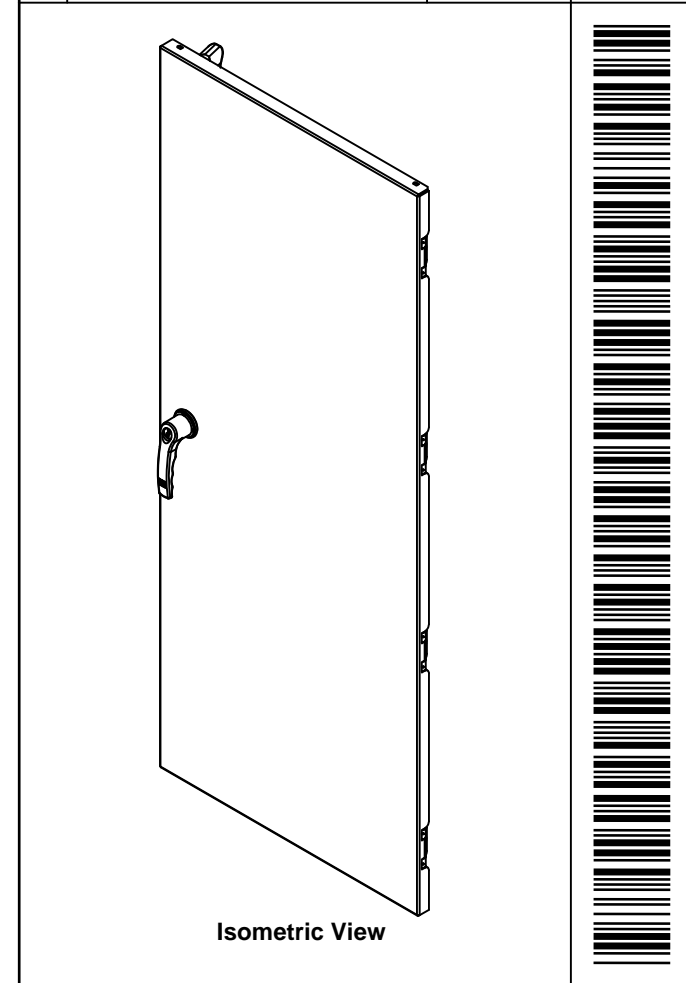
| Qty | Part Number | Rev | Description |
|------------|-------------------|-----|--|
| 8 | STK-Q-16005 | 1 | Stud M8 x 35 (No Paint Cap Required) |
| 2 | STK-Q-16080 | 0.1 | M6 x 16mm Ground Stud |
| 1 | 6500ESDD101230T-P | 0 | 6500ESDD 1000mm x 270mm Top Part |
| 1 | STK-P-03820R | 0 | Powder Paint (Light Grey / Rough Textured) |
| 1 | 6500ESDD101230B-P | 0 | 6500ESDD 1200mm x 1000mm x 270mm Body Part |
| Parts List | | | |


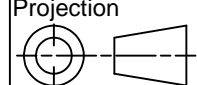
This drawing is confidential and must not be reproduced or used without the consent of EXM

Ce dessin est confidentiel et ne doit pas être reproduit ou utilisé sans le consentement de EXM



| No. | Revisions | Date | By/Par |
|-----|-----------|------|--------|
| | | | |
| | | | |
| | | | |
| | | | |



| | | | |
|--|--------------------|---|-------------------|
|  Tél: (450) 979-4373 Fax: (450) 979-4626 www.exmweb.com | | Flatness Aplatissement | |
| | | Max 3.0mm | |
| Customer Client | | Projection | |
| Date | |  | |
| Drawn By Dessiné Par | BoxCad: Annie | Date 28/02/2014 | |
| Material Matière | | 14 Ga H.R.P. & O. (1.7mm) | |
| Color Couleur | Light Grey RAL7035 | Finish Fin | Rough Textured |
| Description | | Detail Rev. | |
| 6500ESDD 1200mm x 1000mm Lock Door | | | |
| Part Number Numéro Pièce | | Rev. | 1 |
| 6500ESDD101230LD | | 0 | 3 |

SEE BILL OF MATERIAL ON LAST PAGE

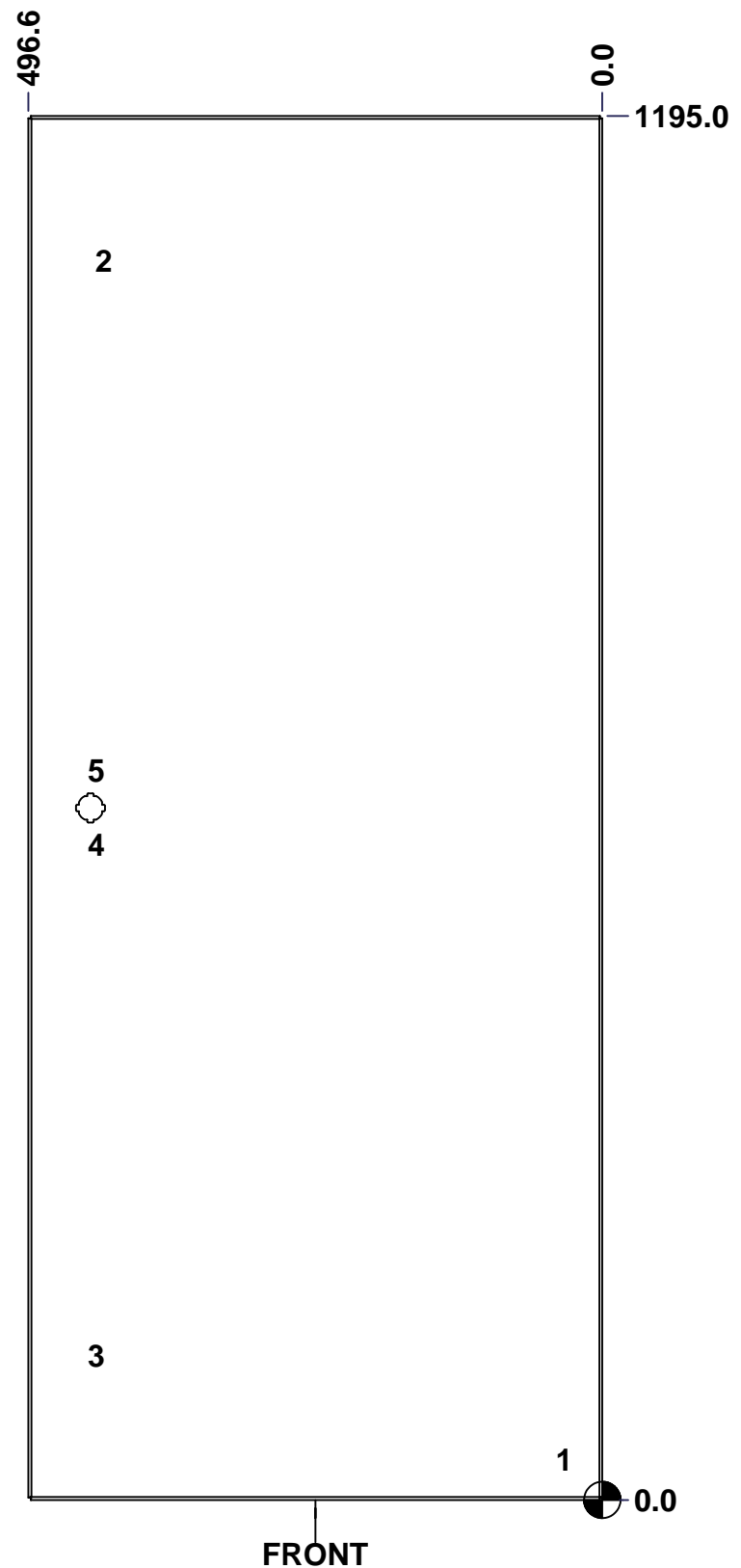
This drawing is confidential and must not be reproduced or used without the consent of EXM

Ce dessin est confidentiel et ne doit pas être reproduit ou utilisé sans le consentement de EXM

STANDARD FEATURES ARE NOT LISTED IN THIS HOLE TABLE

HOLE TABLE - FRONT VIEW (CUSTOM FEATURE ONLY)

| CUT-OUT | XDIM | YDIM | DESCRIPTION |
|---------|-------|--------|-----------------------------|
| 1 | 37.7 | 35.0 | GND STUD M6 x 16mm (Inside) |
| 2 | 436.5 | 1070.4 | STUD M6 x 18mm (Inside) |
| 3 | 442.8 | 124.6 | STUD M6 x 18mm (Inside) |
| 4 | 442.8 | 565.7 | GEARBOX STUD (Inside) |
| 5 | 442.8 | 629.2 | GEARBOX STUD (Inside) |



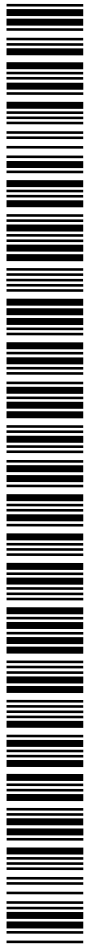
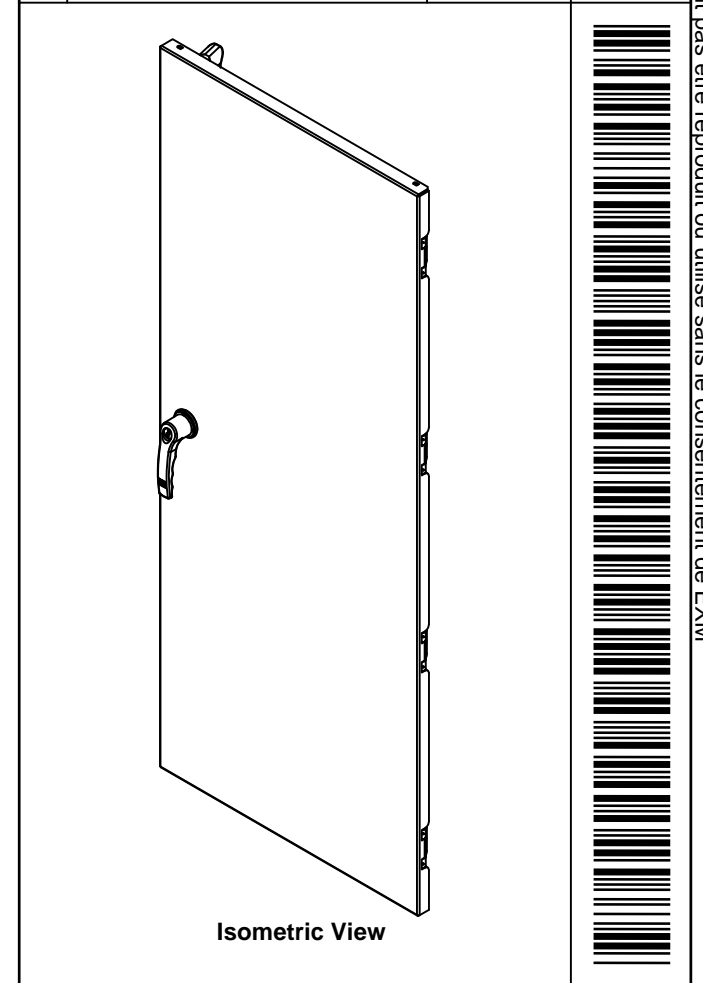
FRONT

| | | | | |
|-----------------------------|------------------------------------|----------|----------|--|
| | Description | | Status | |
| | 6500ESDD 1200mm x 1200mm Lock Door | | Released | |
| Part Number Numéro Pièce | | Rev. | 2 | |
| 6500ESDD101230LD | | 0 | 3 | |

This drawing is confidential and must not be reproduced or used without the consent of EXM


Ce dessin est confidentiel et ne doit pas être reproduit ou utilisé sans le consentement de EXM

| No. | Revisions | Date | By/Par |
|-----|-----------|------|--------|
| | | | |
| | | | |
| | | | |
| | | | |
| | | | |



| Qty | Part Number | Rev | Description |
|-----|--------------------|-------|--|
| 1 | 6500ESDD101230LDG | 0 | 6500ESDD 1200mm x 1000mm Lock Door Gasket |
| 1 | STK-S-00100 | 0.1.1 | 3.5" x 2" Silver Milar Flexcon Sticker |
| 1 | STK-A-03980-32 | 1 | Gearbox Counter Clockwise Assembly (Grip 32mm) |
| 2 | STK-Q-78022 | 0 | Mtrx Closing Bar Slider |
| 2 | STK-Q-16055 | 1 | M6 x 18mm Stud (No Paint Cap Required) |
| 1 | STK-Q-16080 | 0.1.1 | M6 x 16mm Ground Stud |
| 1 | 885 ESL2A | 0 | 5412 ES Key Lock L-Handle (3 Pts) |
| 1 | STK-P-03820R | 0 | Powder Paint (Light Grey / Rough Textured) |
| 1 | 6500ESDD101230LD-P | 0 | 6500ESDD 1200mm x 1000mm Lock Door Part |
| 2 | 6500ESDD101230CB | 4 | 5500 ESDD Closing Bar 47.244094488189" |
| 4 | STK-K-09800 | 5 | 5412 ES Hinge with 2 Captive Hinge Pins |
| | | | |
| | | | |

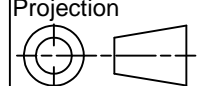
Parts List



Tél: (450) 979-4373
Fax: (450) 979-4626
www.exmweb.com

Flatness
Aplatissement
Max 3.0mm

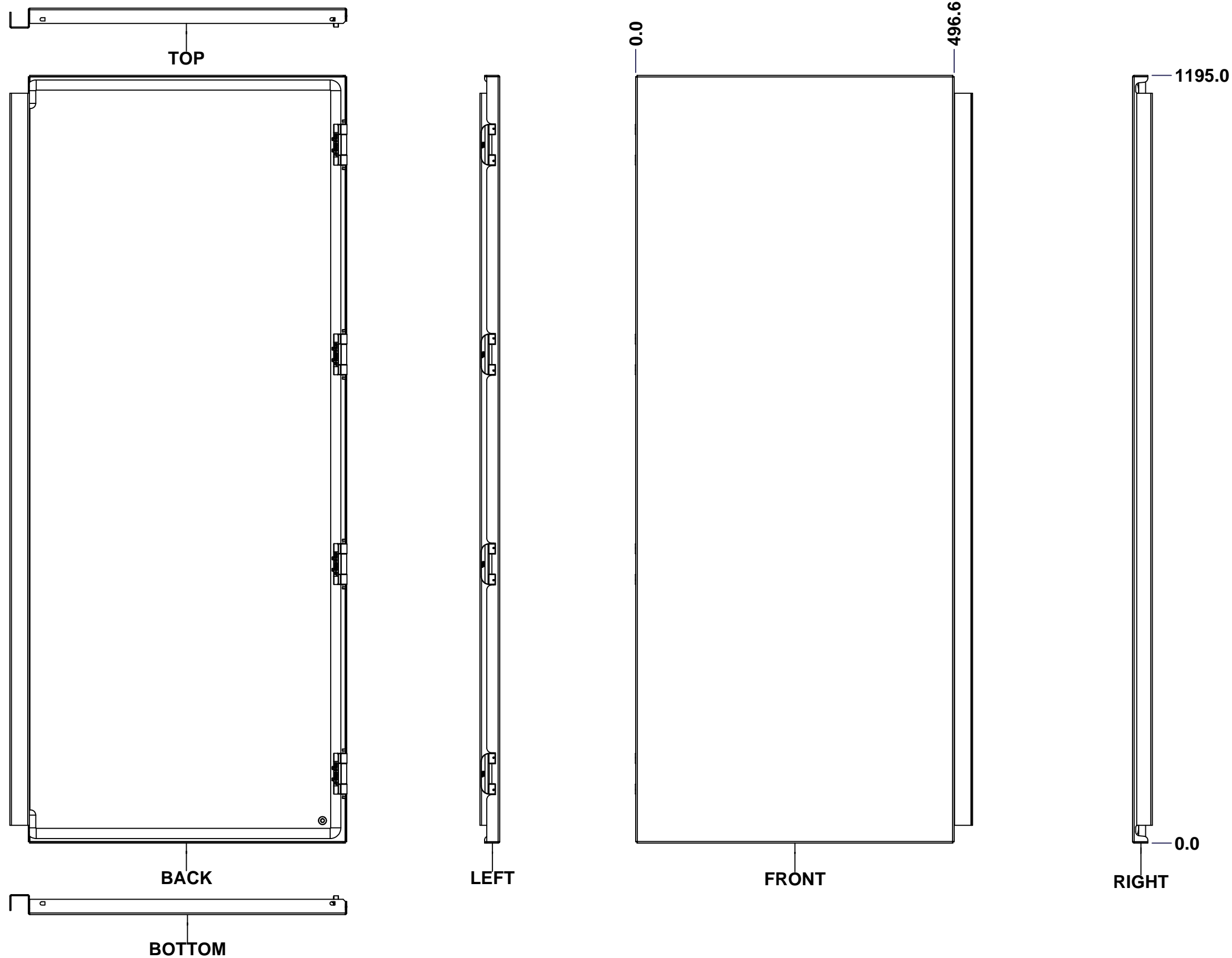
Projection



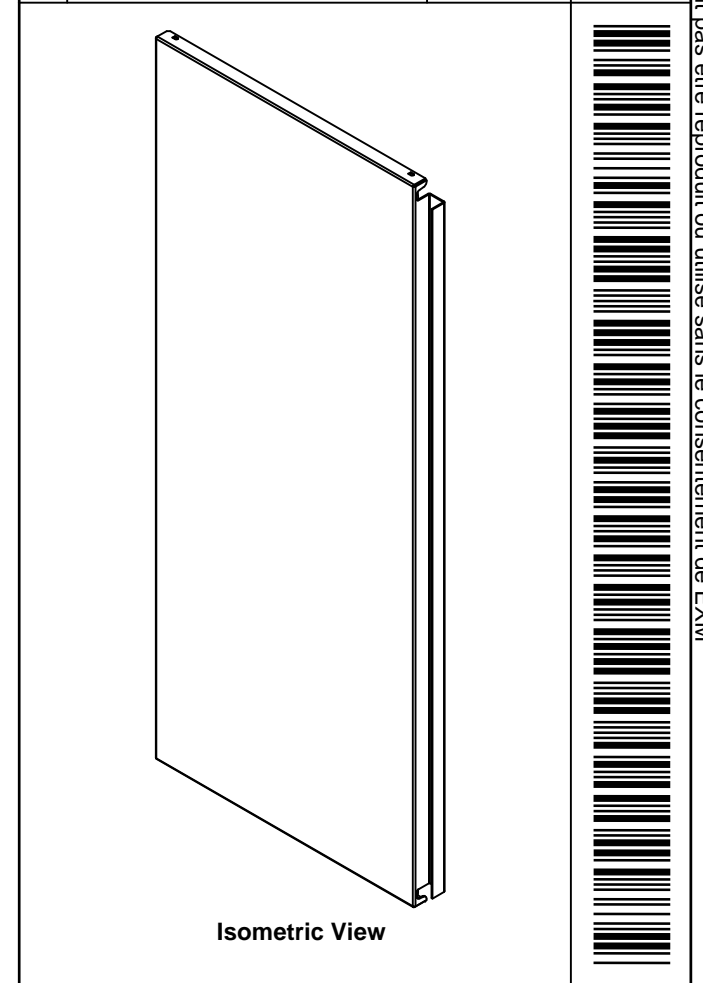
| | |
|--|-------------------------------|
| Customer Client | Date |
| Drawn By Dessiné Par BoxCad: Annie | Date 28/02/2014 |
| Material Matière 14 Ga H.R.P. & O. (1.7mm) | |
| Color Couleur Light Grey RAL7035 | Finish Fini Rough Textured |
| Description 6500ESDD 1200mm x 1000mm Lock Door | Detail Rev. |
| Part Number Numéro Pièce 6500ESDD101230LD | Rev. 3 0 |

This drawing is confidential and must not be reproduced or used without the consent of EXM

Ce dessin est confidentiel et ne doit pas être reproduit ou utilisé sans le consentement de EXM



| No. | Revisions | Date | By/Par |
|-----|-----------|------|--------|
| | | | |
| | | | |
| | | | |
| | | | |
| | | | |



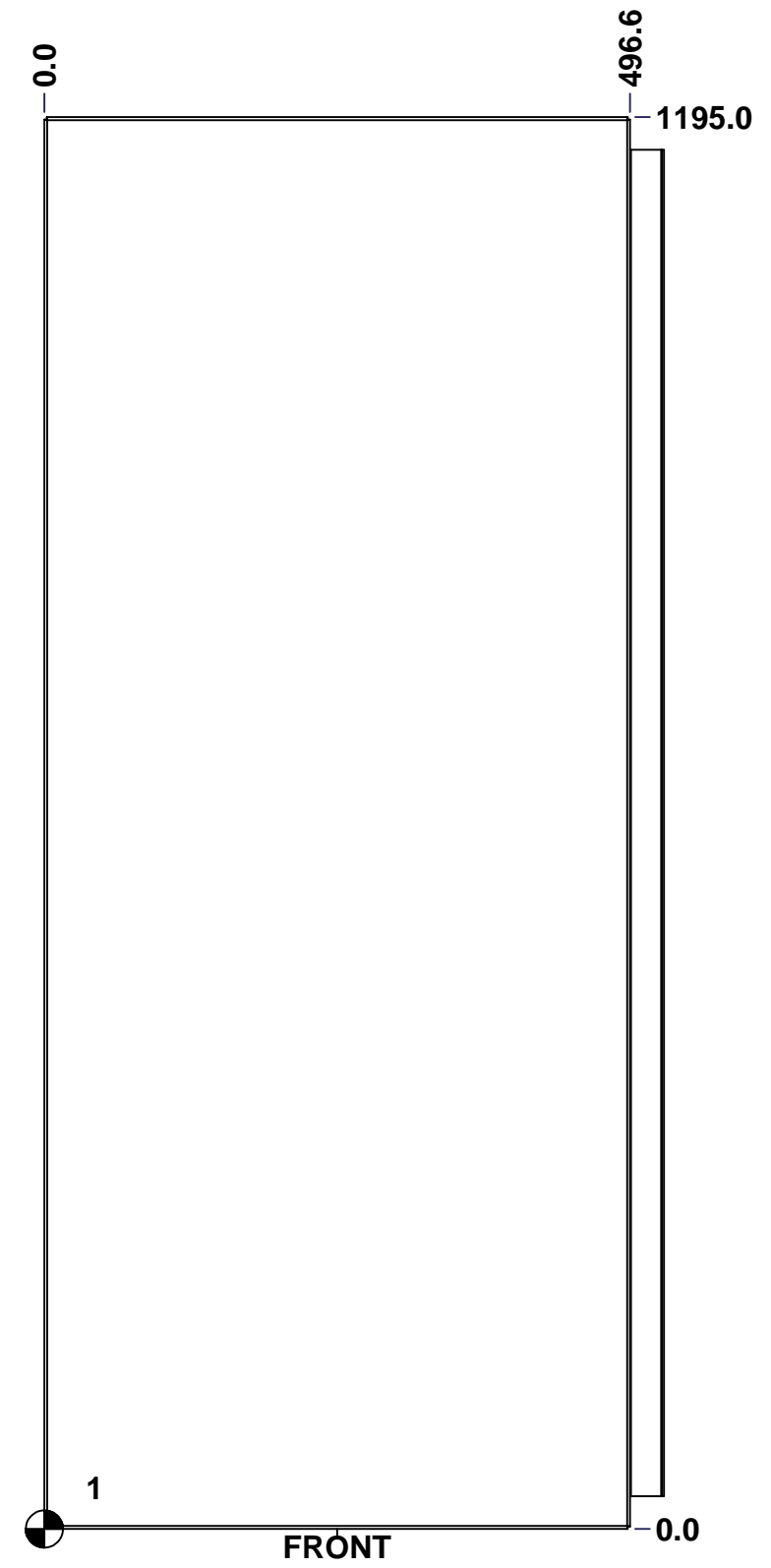
| | | | |
|--|--|-------------------------------|--------|
| Tél: (450) 979-4373 Fax: (450) 979-4626 www.exmweb.com | | Flatness Aplatissement | |
| | | Max 3.0mm | |
| Customer Client | | Projection | |
| Date | | | |
| Drawn By Dessiné Par BoxCad: Annie | | Date 28/02/2014 | |
| Material Matière 14 Ga H.R.P. & O. (1.7mm) | | Date | |
| Color Couleur Light Grey RAL7035 | | Finish Fini Rough Textured | |
| Description 6500ESDD 1200mm x 1000mm Flange Door | | Detail Rev. | |
| Part Number Numéro Pièce 6500ESDD101230FD | | Rev. 0 | 1 3 |

SEE BILL OF MATERIAL ON LAST PAGE

This drawing is confidential and must not be reproduced or used without the consent of EXM

Ce dessin est confidentiel et ne doit pas être reproduit ou utilisé sans le consentement de EXM

| STANDARD FEATURES ARE NOT LISTED IN THIS HOLE TABLE | | | |
|---|--------|--------|-----------------------------|
| HOLE TABLE - FRONT VIEW (CUSTOM FEATURE ONLY) | | | |
| CUT-OUT | XDIM | YDIM | DESCRIPTION |
| 1 | 37.744 | 34.998 | GND STUD M6 x 16mm (Inside) |

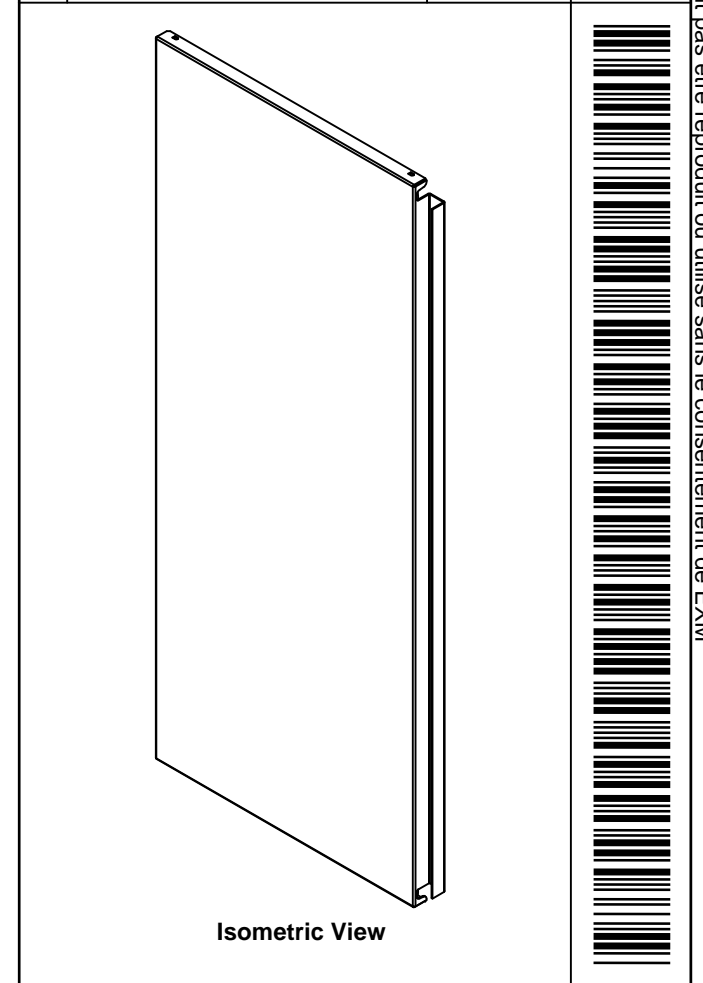



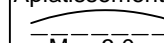
| | | | |
|--|--|--|------------------------|
| | Description 6500ESDD 1200mm x 1200mm Flange Door | | Status Released |
| | Part Number Numéro Pièce 6500ESDD101230FD | | Rev. 2 0 / 3 |

This drawing is confidential and must not be reproduced or used without the consent of EXM

Ce dessin est confidentiel et ne doit pas être reproduit ou utilisé sans le consentement de EXM

| No. | Revisions | Date | By/Par |
|-----|-----------|------|--------|
| | | | |
| | | | |
| | | | |
| | | | |
| | | | |

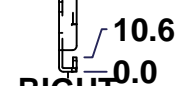
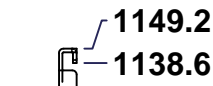
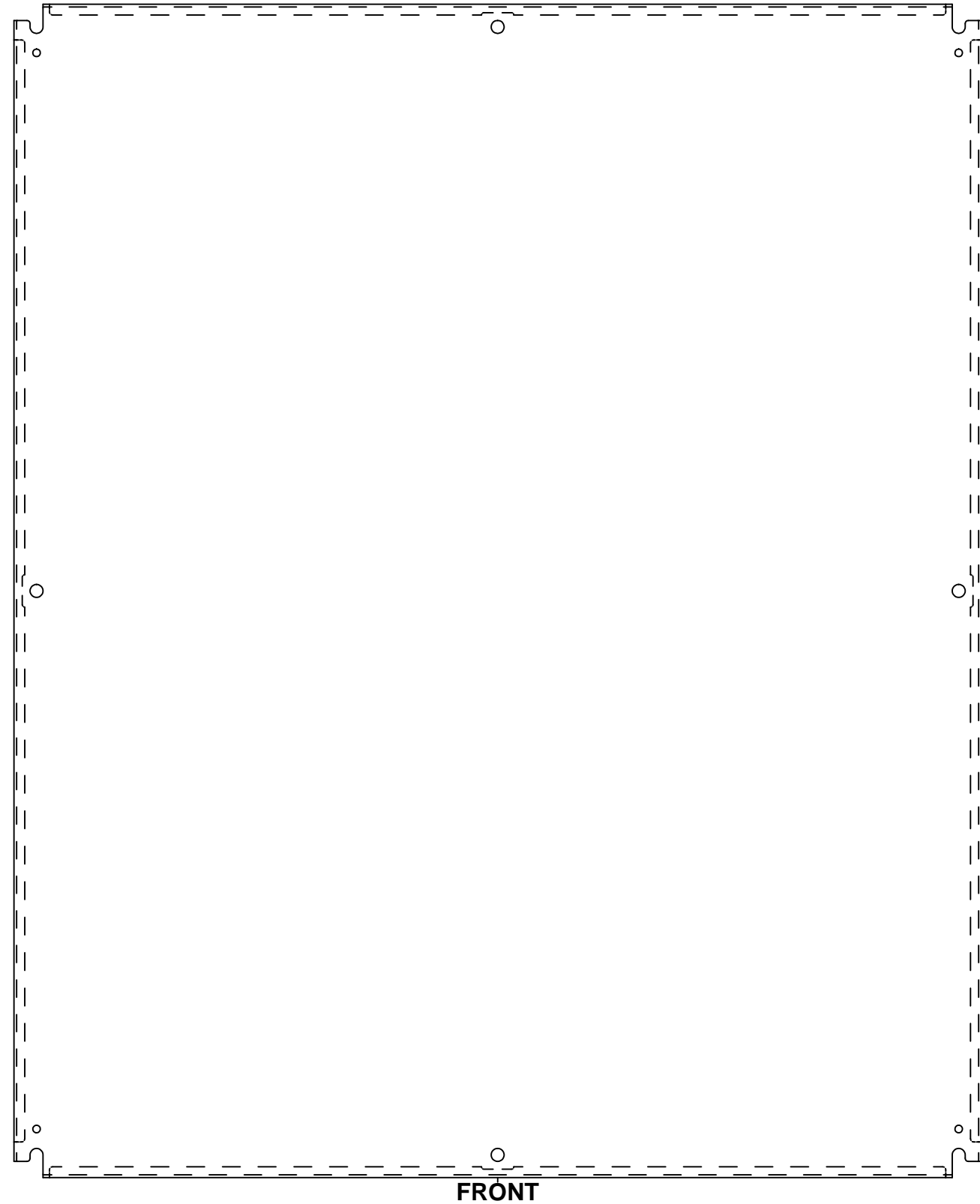
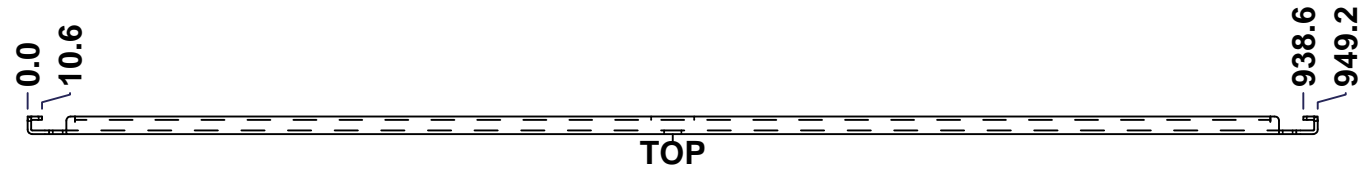


| | | |
|--|--|--|
|  Tél: (450) 979-4373 Fax: (450) 979-4626 www.exmweb.com | | Flatness Aplatissement  Max 3.0mm |
| Customer Client | | Date |
| Drawn By / Dessiné Par: BoxCad: Annie | | Date: 28/02/2014 |
| Material / Matière: 14 Ga H.R.P. & O. (1.7mm) | | |
| Color / Couleur: Light Grey RAL7035 | | Finish / Fini: Rough Textured |
| Description: 6500ESDD 1200mm x 1000mm Flange Door | | Detail Rev. |
| Part Number / Numéro Pièce: 6500ESDD101230FD | | Rev. 3 |

| Qty | Part Name | Rev | Description |
|------------|--------------------|-------|---|
| 1 | 6500ESDD101230FDG | 0 | 6500ESDD 1200mm x 1000mm Flange Door Gasket |
| 1 | STK-Q-16080 | 0.1.1 | M6 x 16mm Ground Stud |
| 1 | STK-P-03820R | 0 | Powder Paint (Light Grey / Rough Textured) |
| 1 | 6500ESDD101230FD-P | 0 | 6500ESDD 1200mm x 1000mm Flange Door Part |
| 4 | STK-K-09800 | 5 | 5412 ES Hinge with 2 Captive Hinge Pins |
| Parts List | | | |

This drawing is confidential and must not be reproduced or used without the consent of EXM

Ce dessin est confidentiel et ne doit pas être reproduit ou utilisé sans le consentement de EXM



SEE BILL OF MATERIAL ON LAST PAGE

| No. | Revisions | Date | By/Par |
|-----|-----------|------|--------|
| | | | |
| | | | |
| | | | |
| | | | |

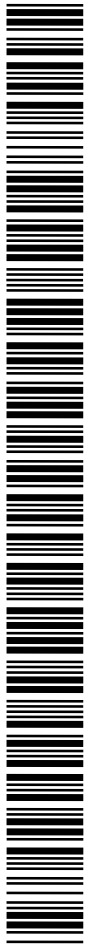
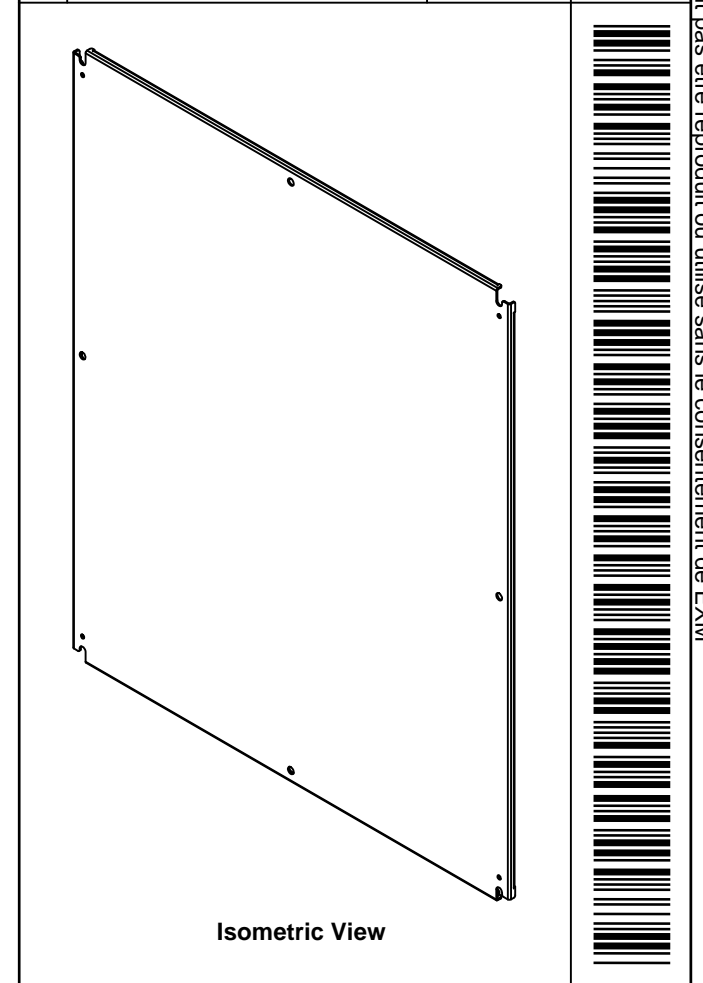
Isometric View


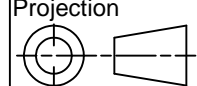
| | | |
|--|---------------------------|--|
| Tél: (450) 979-4373 Fax: (450) 979-4626 www.exmweb.com | | Flatness Aplatissement Max 3.0mm Projection |
| Customer Client | Date | |
| Drawn By Dessiné Par | BoxCad: Annie | Date 28/02/2014 |
| Material Matière | 12 Ga H.R.P. & O. (2.5mm) | |
| Color Couleur | White RAL9003 | Finish Fini Smooth |
| Description | | Detail Rev. |
| 6500ESDD 1200mm x 1000mm Inner Panel | | |
| Part Number Numéro Pièce | Rev. 0 | 1 3 |
| 6500ESDD101230IP | | |

This drawing is confidential and must not be reproduced or used without the consent of EXM

Ce dessin est confidentiel et ne doit pas être reproduit ou utilisé sans le consentement de EXM

| No. | Revisions | Date | By/Par |
|-----|-----------|------|--------|
| | | | |
| | | | |
| | | | |
| | | | |
| | | | |



| | | |
|--|-----------------------|---|
|  Tél: (450) 979-4373 Fax: (450) 979-4626 www.exmweb.com | | Flatness Aplatissement Max 3.0mm |
| Customer Client | | Projection  |
| Drawn By / Dessiné Par: BoxCad: Annie | | Date: 28/02/2014 |
| Material / Matière: 12 Ga H.R.P. & O. (2.5mm) | | |
| Color / Couleur: White RAL9003 | Finish / Fini: Smooth | |
| Description: 6500ESDD 1200mm x 1000mm Inner Panel | | Detail Rev. |
| Part Number / Numéro Pièce: 6500ESDD101230IP | | Rev. 3 0 |

| Qty | Part Number | Rev | Description |
|------------|--------------------|-----|---|
| 1 | STK-P-02401S | 0 | Powder Paint (White / Smooth) |
| 1 | 6500ESDD101230IP-P | 0 | 6500ESDD 1200mm x 1000mm Inner Panel Part |
| Parts List | | | |