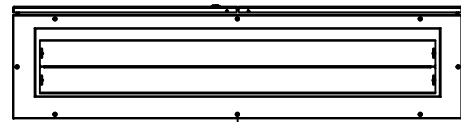
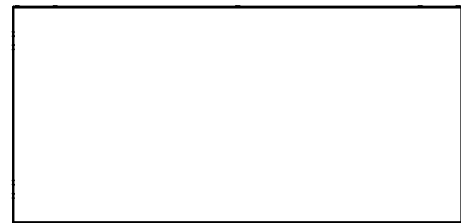


This drawing is confidential and must not be reproduced or used without the consent of EXM

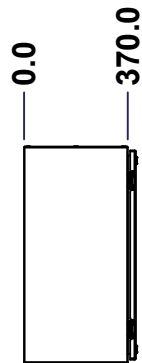
Ce dessin est confidentiel et ne doit pas être reproduit ou utilisé sans le consentement de EXM



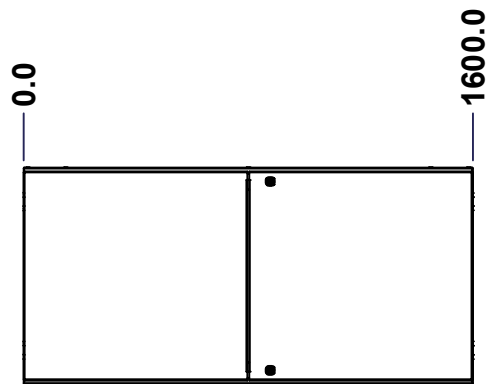
TOP



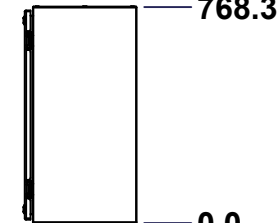
BACK



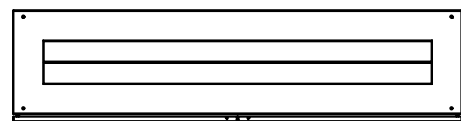
LEFT



FRONT

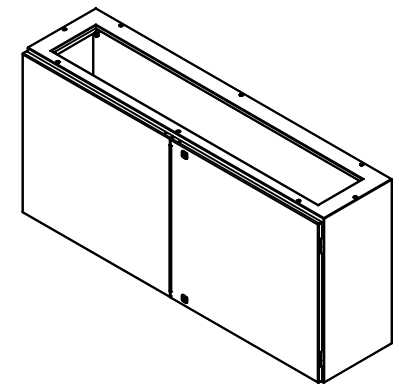


RIGHT



BOTTOM

No.	Revisions	Date	By/Par



Isometric View

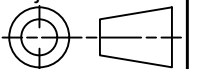


Tél: (450) 979-4373
 Fax: (450) 979-4626
www.exmweb.com

Flatness
Aplatissement

Max 3.0mm

Projection



Customer Client	Date
Drawn By / Dessiné Par: BoxCad: BoxCad	Date: 04-Aug-15
Material / Matière: 14 Ga Cold Rolled A1008 CS Type B (1.7mm)	
Color / Couleur: Light Grey RAL7035	Finish / Fini: Textured

Description: 6500MCODDFD 770mm x 1600mm x 400mm Assembly	Detail Rev.
Part Number / Numéro Pièce: 6500MCODDFD1604	Rev. 1

SEE BILL OF MATERIAL ON LAST PAGE

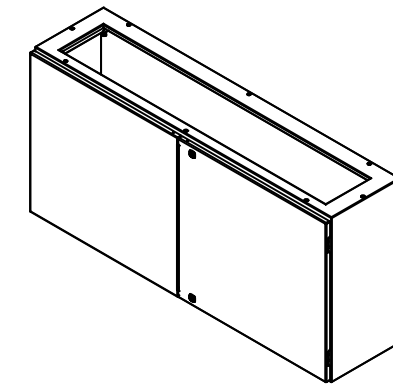
Rev. 0	1
	16

This drawing is confidential and must not be reproduced or used without the consent of EXM

Ce dessin est confidentiel et ne doit pas être reproduit ou utilisé sans le consentement de EXM

NOTE	
ITEM	DESCRIPTION
1	NEMA 12, 13 Enclosure (IP55)
2	C/W Standard ground studs on box and cover
3	C/W Standard door stiffener
4	C/W Special inner panel (Sold separately)
5	C/W Standard inner panel mounting studs

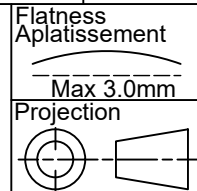
No.	Revisions	Date	By/Par



Isometric View



Tél: (450) 979-4373
 Fax: (450) 979-4626
www.exmweb.com



Customer Client	Date
Drawn By / Dessiné Par: BoxCad: BoxCad	Date: 04-Aug-15
Material / Matière: 14 Ga Cold Rolled A1008 CS Type B (1.7mm)	

Color / Couleur: Light Grey RAL7035	Finish / Fini: Textured
Description: 6500MCODDFD 770mm x 1600mm x 400mm Assembly	
Part Number / Numéro Pièce: 6500MCODDFD1604	Rev. 0

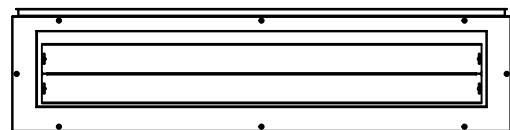
PACKING		
ITEM	QTY	DESCRIPTION
Cardboard corner	2	To reinforced for the plastic strap tightening
Honeycomb angle	4	To protect each corners
Plastic strap- Green	2	To secure the enclosure to the wood pallet
Wood pallet	1	Standard wood pallet
Flat cardboard	1	Between the enclosure and the wood pallet
Packaging label	1	White label with product number

Qty	Part Number	Rev	Description
4	STK-Q-00700	2	M8 x 12mm Hex Socket Cap Screw (DIN 6912)
1	6500MCODDFD1604IP	0	6500MCODDFD 770mm x 1600mm Inner Panel Part
1	6500MCODDFD1604FR	0	6500MCODDFD 770mm x 1600mm Front Lock Door
1	6500MCODDFD1604FL	0	6500MCODDFD 770mm x 1600mm Front Flange Door
1	6500MCODDFD1604B	0	6500MCODDFD 770mm x 1600mm x 400mm Body
4	STK-Q-04050-07	7	M6 x 7mm Hexagon Socket Head Machine Screw with Nyseal

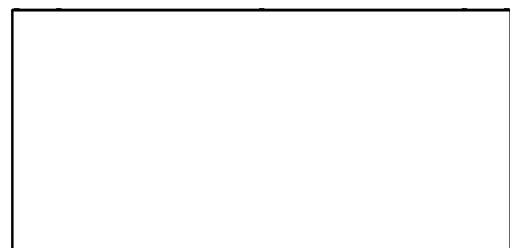
Parts List

This drawing is confidential and must not be reproduced or used without the consent of EXM

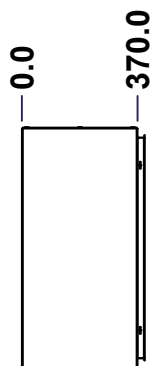
Ce dessin est confidentiel et ne doit pas être reproduit ou utilisé sans le consentement de EXM



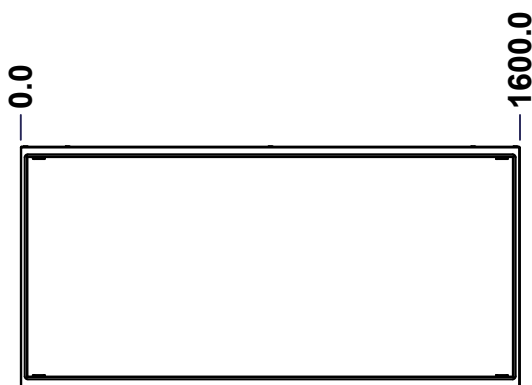
TOP



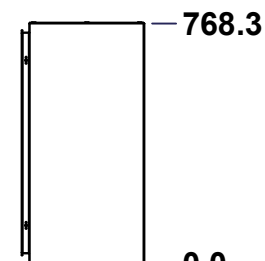
BACK



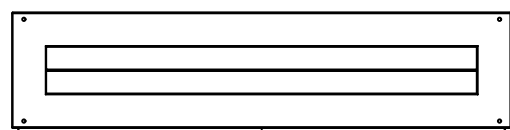
LEFT



FRONT

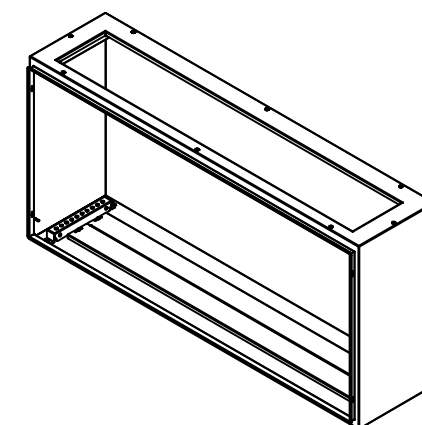


RIGHT



BOTTOM

No.	Revisions	Date	By/Par



Isometric View



Tél: (450) 979-4373
 Fax: (450) 979-4626
www.exmweb.com

Flatness
Aplatissement

Max 3.0mm

Projection



Customer Client	Date
Drawn By Dessiné Par BoxCad: BoxCad	Date 04-Aug-15
Material Matière 14 Ga Cold Rolled A1008 CS Type B (1.7mm)	
Color Couleur Light Grey RAL7035	Finish Fini Textured
Description 6500MCODDFD 770mm x 1600mm x 400mm Body	Detail Rev.
Part Number Numéro Pièce 6500MCODDFD1604B	Rev. 3
SEE BILL OF MATERIAL ON LAST PAGE	0

This drawing is confidential and must not be reproduced or used without the consent of EXM

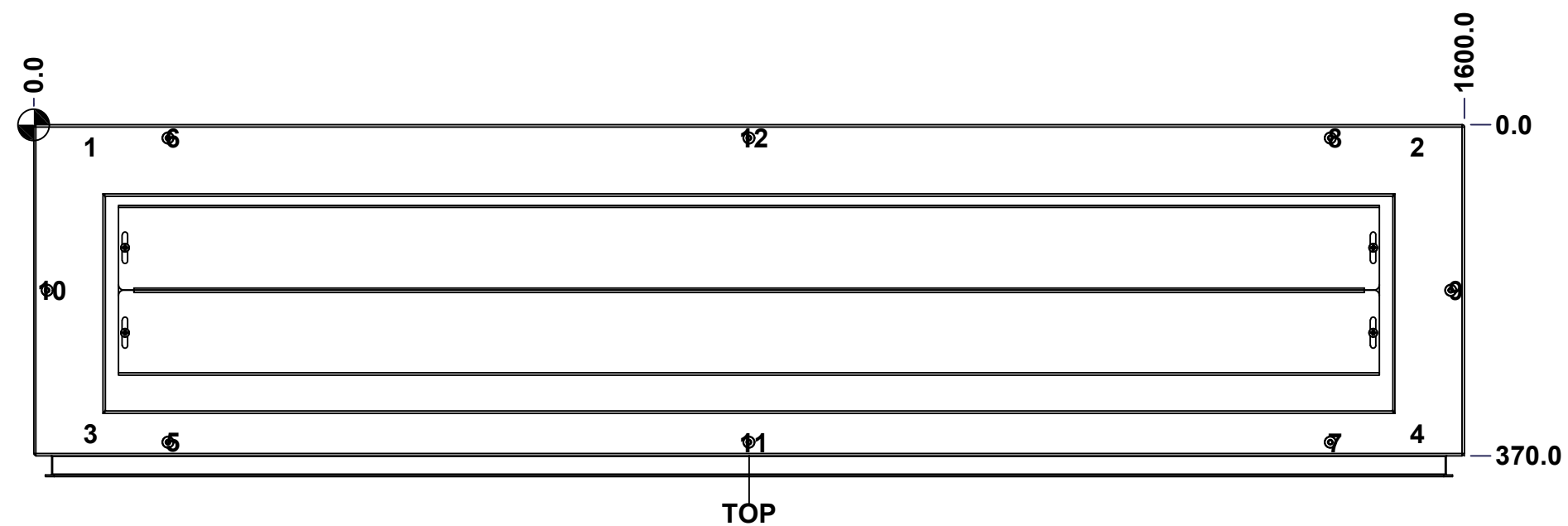
Ce dessin est confidentiel et ne doit pas être reproduit ou utilisé sans le consentement de EXM

STANDARD FEATURES ARE NOT LISTED IN THIS HOLE TABLE

HOLE TABLE - TOP VIEW (CUSTOM FEATURE ONLY)

CUT-OUT	XDIM	YDIM	DESCRIPTION
1	58.0	25.0	STUD M6 x 18mm (Inside)
2	1542.0	25.0	STUD M6 x 18mm (Inside)
3	58.0	345.0	STUD M6 x 18mm (Inside)
4	1542.0	345.0	STUD M6 x 18mm (Inside)

5	150.0	355.0	RIVET NUT M6_FH_CE (Inside)
6	150.0	15.0	RIVET NUT M6_FH_CE (Inside)
7	1450.0	355.0	RIVET NUT M6_FH_CE (Inside)
8	1450.0	15.0	RIVET NUT M6_FH_CE (Inside)
9	1585.0	185.0	RIVET NUT M6_FH_CE (Inside)
10	15.0	185.0	RIVET NUT M6_FH_CE (Inside)
11	800.0	355.0	RIVET NUT M6_FH_CE (Inside)
12	800.0	15.0	RIVET NUT M6_FH_CE (Inside)

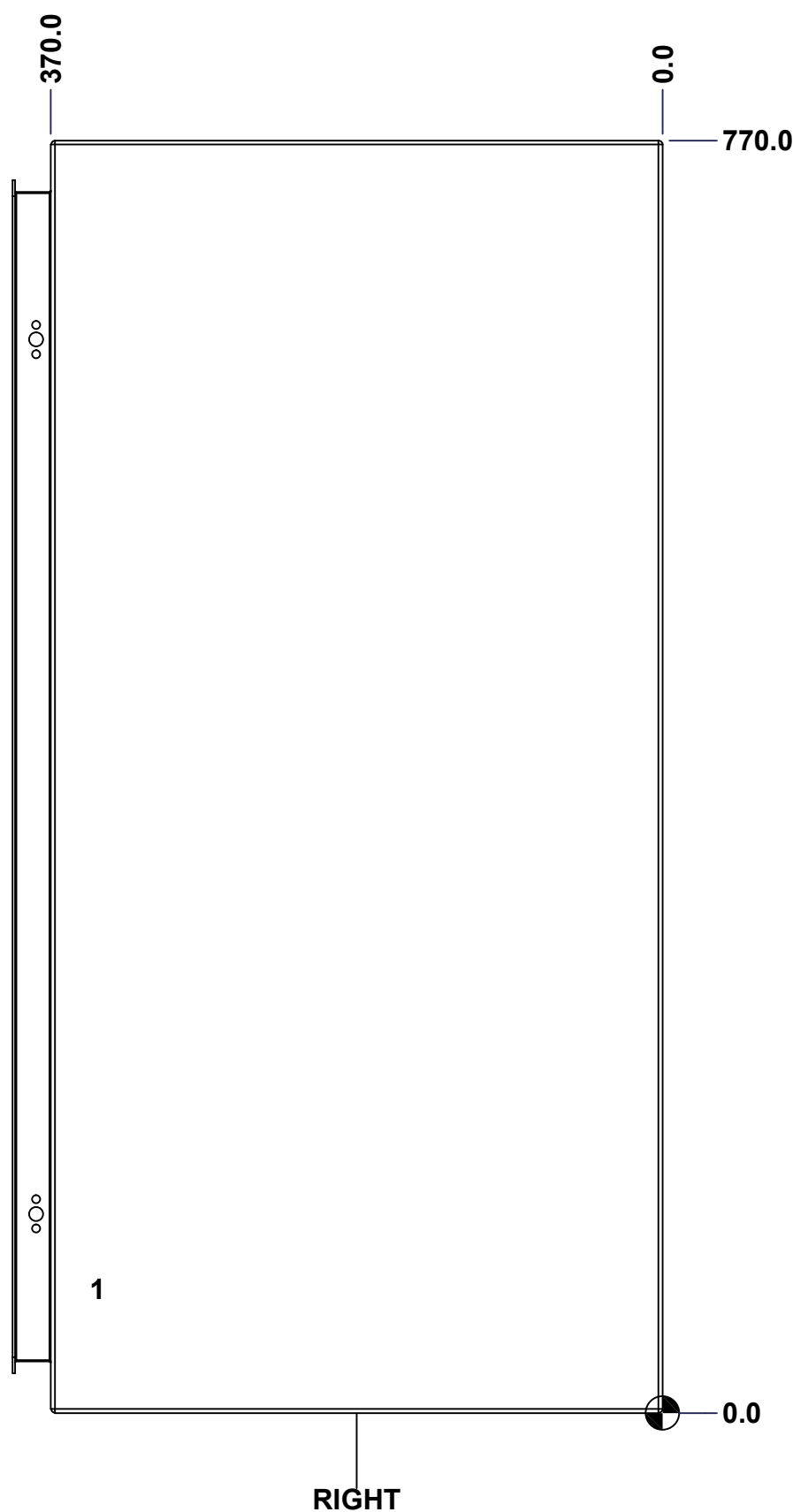


	Description 6500MCODDFD 770mm x 1600mm x 400mm Body	Status (NULL)
	Part Number Numéro Pièce 6500MCODDFD1604B	Rev. 4 0

This drawing is confidential and must not be reproduced or used without the consent of EXM

Ce dessin est confidentiel et ne doit pas être reproduit ou utilisé sans le consentement de EXM

STANDARD FEATURES ARE NOT LISTED IN THIS HOLE TABLE			
HOLE TABLE - RIGHT VIEW (CUSTOM FEATURE ONLY)			
CUT-OUT	XDIM	YDIM	DESCRIPTION
1	345.0	75.0	GND STUD M6 x 16mm (Inside)



	Description 6500MCODDFD 770mm x 1600mm x 400mm Body		Status (NULL)
	Part Number Numéro Pièce 6500MCODDFD1604B		Rev. 5 0 / 16

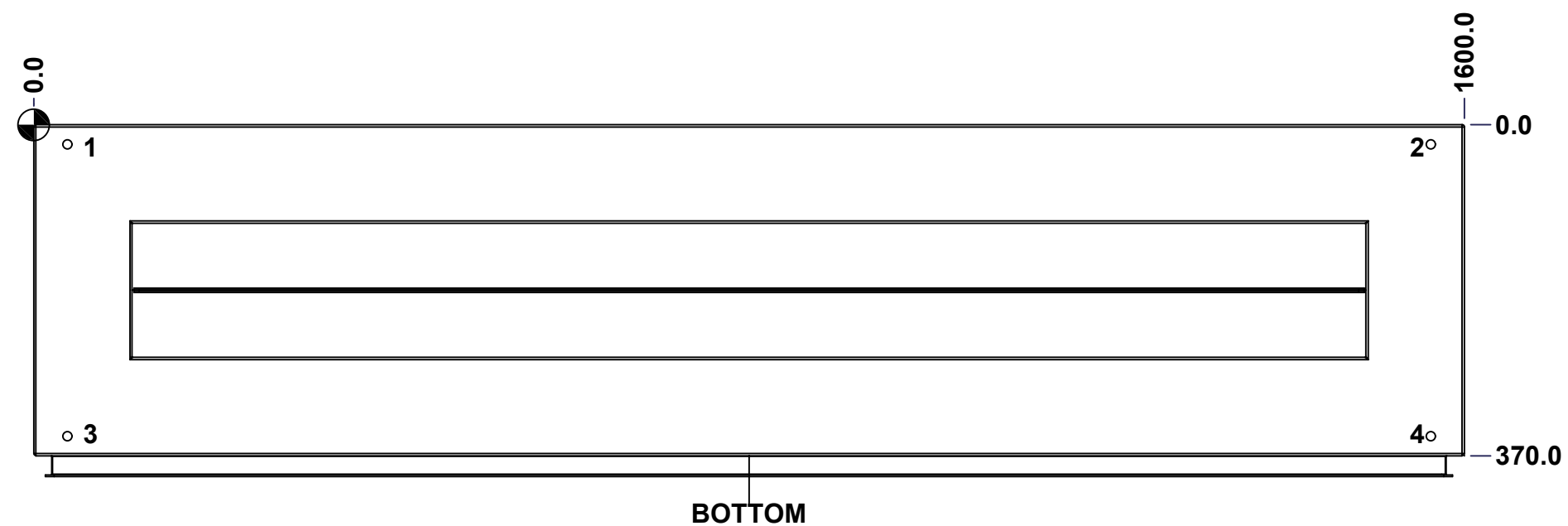
This drawing is confidential and must not be reproduced or used without the consent of EXM

Ce dessin est confidentiel et ne doit pas être reproduit ou utilisé sans le consentement de EXM

STANDARD FEATURES ARE NOT LISTED IN THIS HOLE TABLE

HOLE TABLE - BOTTOM VIEW (CUSTOM FEATURE ONLY)

CUT-OUT	XDIM	YDIM	DESCRIPTION
1	58.0	25.0	STUD M6 x 18mm (Inside)
2	1542.0	25.0	STUD M6 x 18mm (Inside)
3	58.0	345.0	STUD M6 x 18mm (Inside)
4	1542.0	345.0	STUD M6 x 18mm (Inside)



	Description 6500MCODDFD 770mm x 1600mm x 400mm Body		Status (NULL)
	Part Number Numéro Pièce 6500MCODDFD1604B		Rev. 6 0 / 16

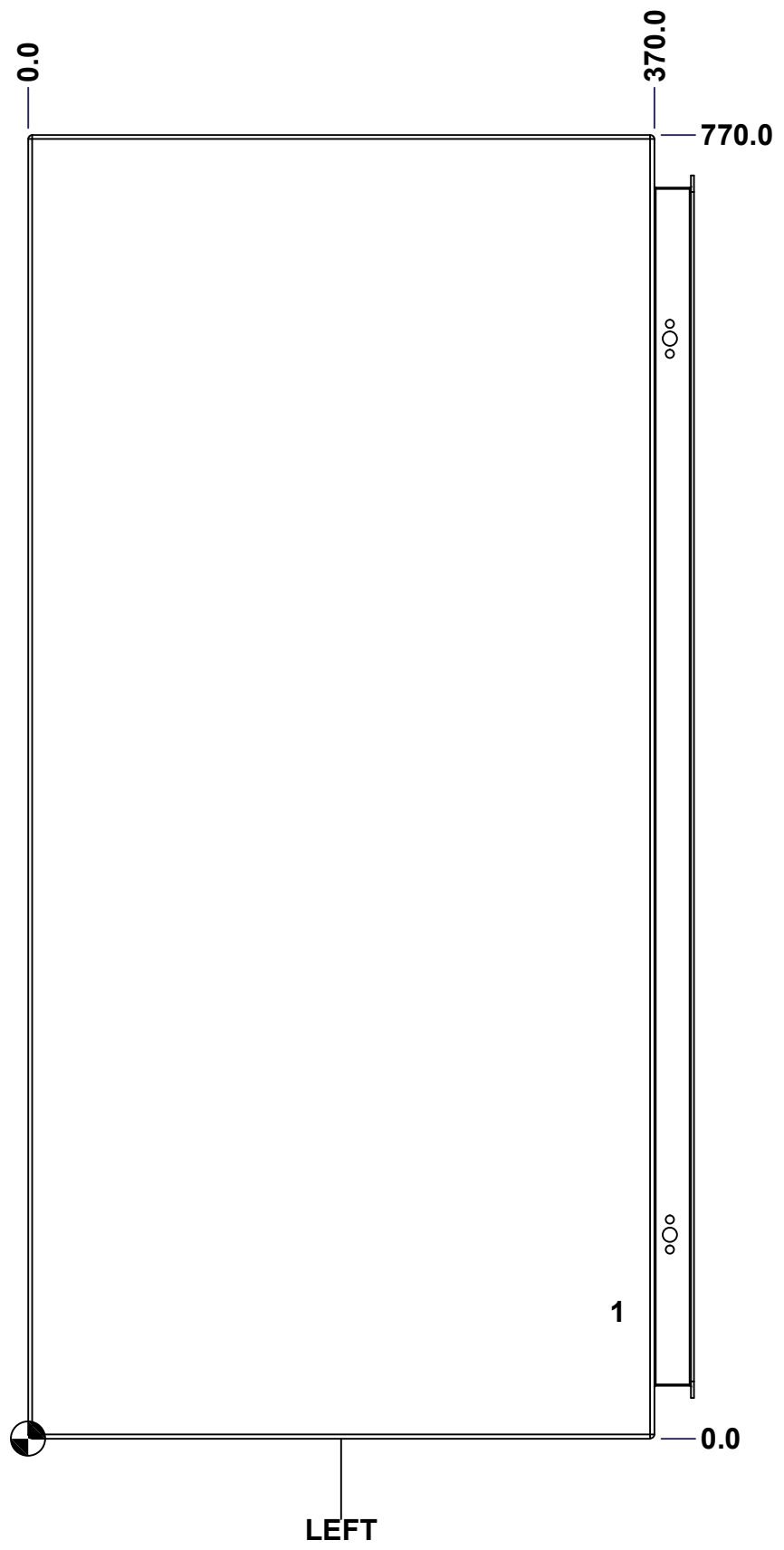
This drawing is confidential and must not be reproduced or used without the consent of EXM

Ce dessin est confidentiel et ne doit pas être reproduit ou utilisé sans le consentement de EXM

STANDARD FEATURES ARE NOT LISTED IN THIS HOLE TABLE

HOLE TABLE - LEFT VIEW (CUSTOM FEATURE ONLY)

CUT-OUT	XDIM	YDIM	DESCRIPTION
1	345.0	75.0	GND STUD M6 x 16mm (Inside)

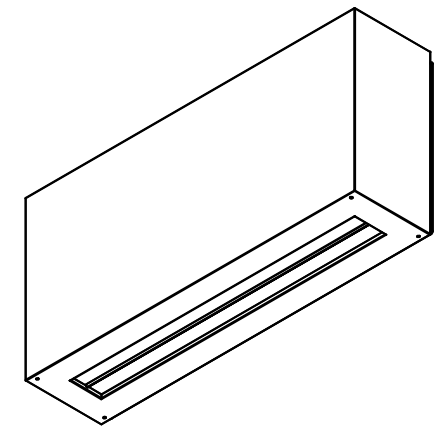


	Description 6500MCODDFD 770mm x 1600mm x 400mm Body		Status (NULL)
	Part Number Numéro Pièce 6500MCODDFD1604B		Rev. 7 0

This drawing is confidential and must not be reproduced or used without the consent of EXM

Ce dessin est confidentiel et ne doit pas être reproduit ou utilisé sans le consentement de EXM

No.	Revisions	Date	By/Par



Isometric View



EXM
www.exmweb.com

Tél: (450) 979-4373
Fax: (450) 979-4626

Flatness
Aplatissement
Max 3.0mm

Projection

Customer Client	Date
Drawn By Dessiné Par BoxCad: BoxCad	Date 04-Aug-15

Material
Matière 14 Ga Cold Rolled A1008 CS Type B (1.7mm)

Color
Couleur Light Grey RAL7035

Finish
Fini Textured

Description
6500MCODDFD 770mm x 1600mm x 400mm Body Part

Detail Rev.

Part Number
Numéro Pièce **6500MCODDFD1604B**

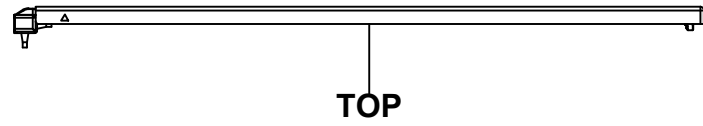
Rev. **0**

8 / 16

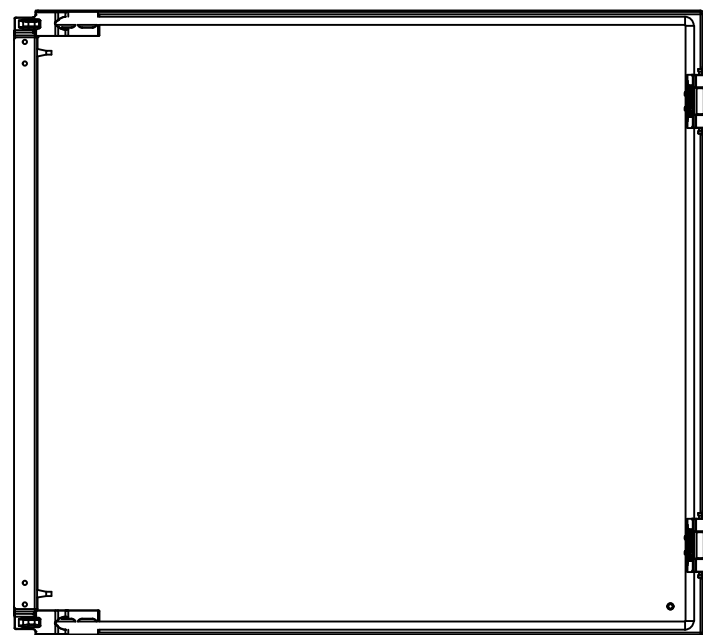
8	RIVET_NUT_M6_FH_CE	0	Rivet Nut M6 (Low Profile Close End)
2	STK-Q-16080	0	Ground Stud M6 x 16mm Steel
1	STK-P-03820R	0	Powder Paint (Light Grey / Rough Textured)
4	STK-Q-49090-280	2	Mounting Rail 280.0mm
8	STK-Q-16031	0	M6 x 10mm Stud (No Paint Cap Required)
1	6500MCODDFD1604GP	0	6500MCODDFD 770mm x 1600mm x 400mm Gland Plate
1	6500MCODDFD1604B-P	0	6500MCODDFD 770mm x 1600mm x 400mm Body Part
8	STK-Q-07220	1	M6 Nylon Insert Lock Nut
Qty	Part Number	Rev	Description
Parts List			

This drawing is confidential and must not be reproduced or used without the consent of EXM

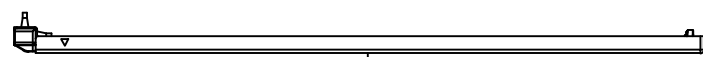
Ce dessin est confidentiel et ne doit pas être reproduit ou utilisé sans le consentement de EXM



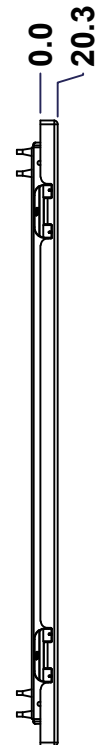
TOP



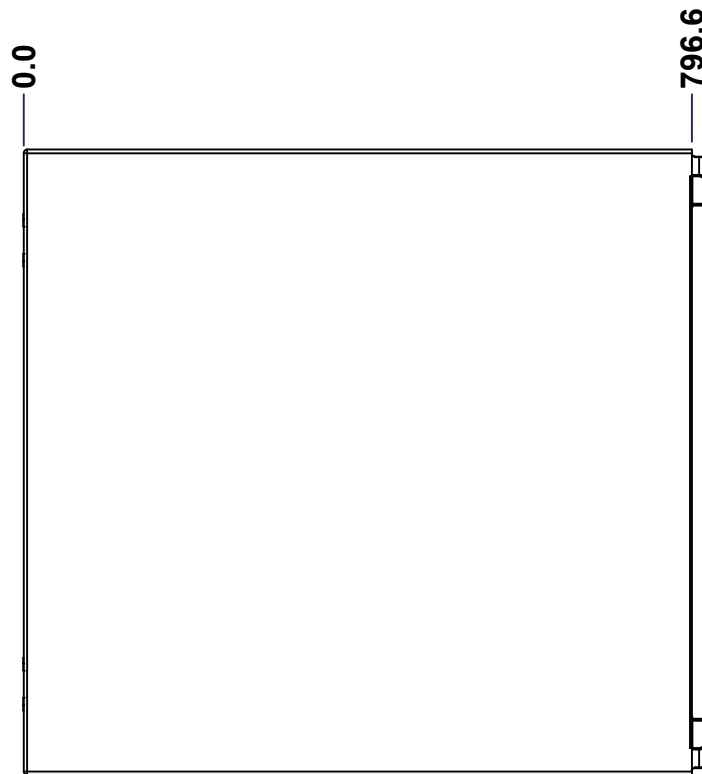
BACK



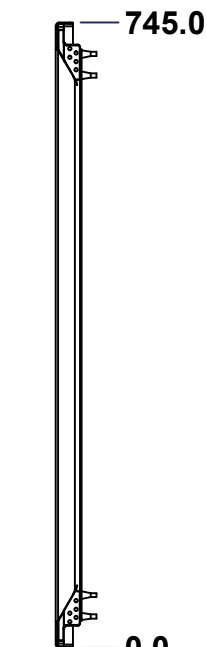
BOTTOM



LEFT

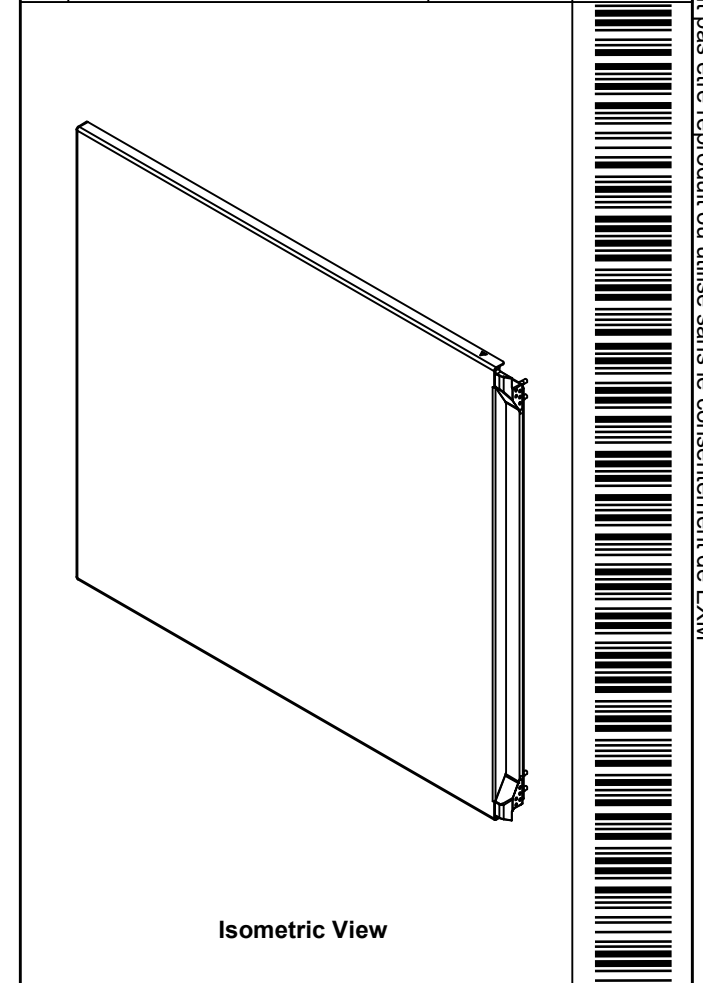


FRONT




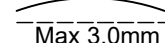
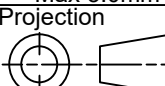
RIGHT

No.	Revisions	Date	By/Par



Isometric View



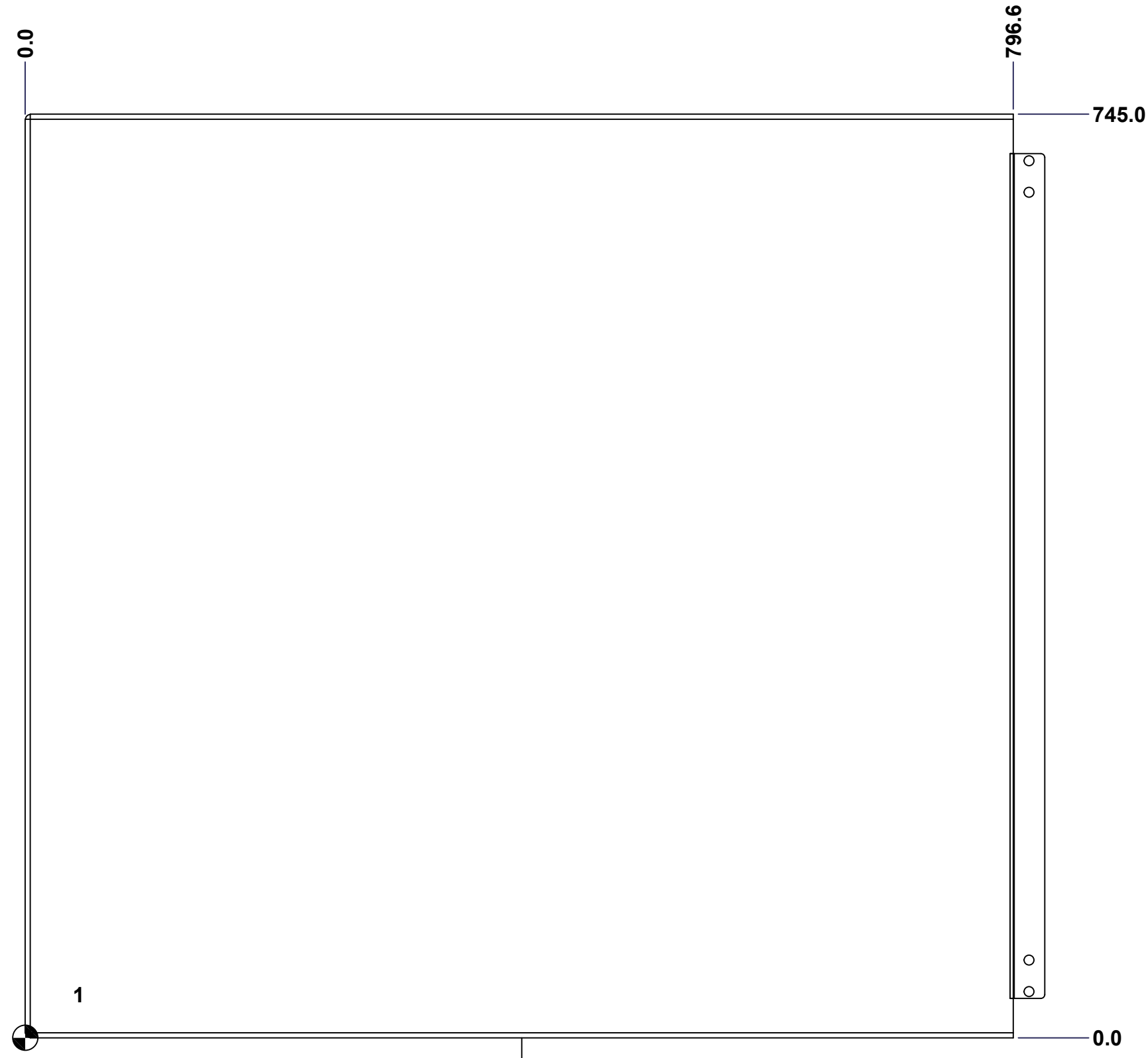
 Tél: (450) 979-4373 Fax: (450) 979-4626 www.exmweb.com		Flatness Aplatissement  Max 3.0mm Projection 
Customer Client	Date	
Drawn By Dessiné Par	BoxCad: BoxCad	Date 04-Aug-15
Material Matière	14 Ga Cold Rolled A1008 CS Type B (1.7mm)	
Color Couleur	Light Grey RAL7035	Finish Fini Textured
Description	Detail Rev.	
6500MCODDFD 770mm x 1600mm Front Flange Door		
Part Number Numéro Pièce	Rev.	9
6500MCODDFD1604FL	0	16

SEE BILL OF MATERIAL ON LAST PAGE

This drawing is confidential and must not be reproduced or used without the consent of EXM

Ce dessin est confidentiel et ne doit pas être reproduit ou utilisé sans le consentement de EXM

STANDARD FEATURES ARE NOT LISTED IN THIS HOLE TABLE			
HOLE TABLE - FRONT VIEW (CUSTOM FEATURE ONLY)			
CUT-OUT	XDIM	YDIM	DESCRIPTION
1	40.0	35.0	GND STUD M6 x 16mm (Inside)



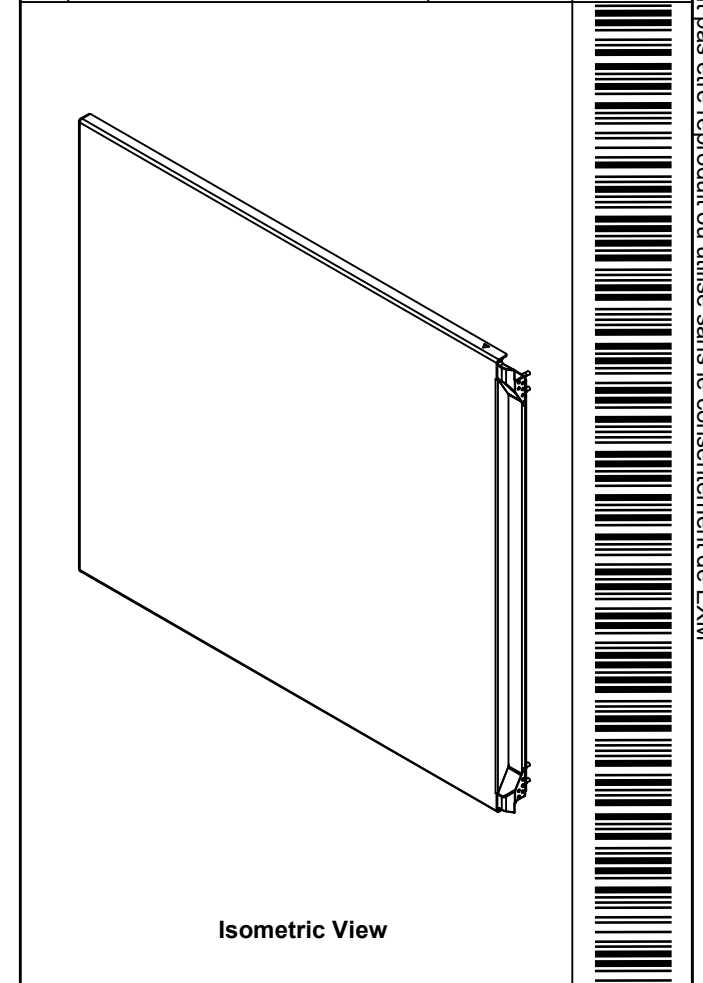
FRONT

	Description 6500MCOODFD 770mm x 1600mm Front Flange Door		Status (NULL)	
	Part Number Numéro Pièce 6500MCOODFD1604FL		Rev. 0	10 16

This drawing is confidential and must not be reproduced or used without the consent of EXM

Ce dessin est confidentiel et ne doit pas être reproduit ou utilisé sans le consentement de EXM

No.	Revisions	Date	By/Par



EXM
www.exmweb.com

Tél: (450) 979-4373
Fax: (450) 979-4626

Flatness
Aplatissement
Max 3.0mm

Projection

Customer Client
Date

Drawn By Dessiné Par BoxCad: BoxCad
Date 04-Aug-15

Material Matière 14 Ga Cold Rolled A1008 CS Type B (1.7mm)

Color Couleur Light Grey RAL7035
Finish Fini Textured

Description 6500MCODDFD 770mm x 1600mm Front Flange Door
Detail Rev.

Part Number Numéro Pièce
6500MCODDFD1604FL

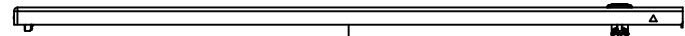
Rev. 0

11
16

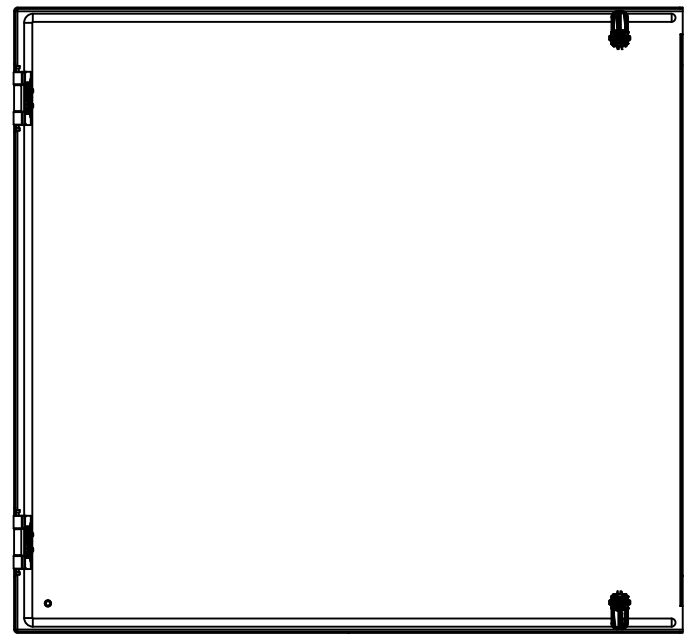
Qty	Part Number	Rev	Description
1	STK-Q-16080	0	Ground Stud M6 x 16mm Steel
1	STK-P-03820R	0	Powder Paint (Light Grey / Rough Textured)
1	STK-G-03200	8	5500 ESDD Lower Flange Door Gasket
1	STK-G-03100	8	5500 ESDD Upper Flange Door Gasket
1	STK-G-00701	1	1" x 1/4" Self-Adhesive Neoprene Gasket
1	6500MCODDFD1604FL-P	0	6500MCODDFD 770mm x 1600mm Front Flange Door Part
1	6500MCODDFD1604FL-G	0	6500MCODDFD 770mm x 1600mm Front Flange Door Gasket
2	STK-K-09800	10	5412 ES Hinge with 2 Captive Hinge Pins
Parts List			

This drawing is confidential and must not be reproduced or used without the consent of EXM

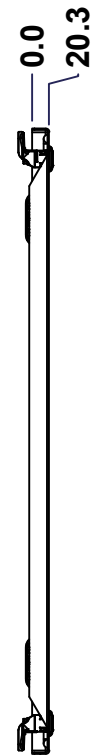
Ce dessin est confidentiel et ne doit pas être reproduit ou utilisé sans le consentement de EXM



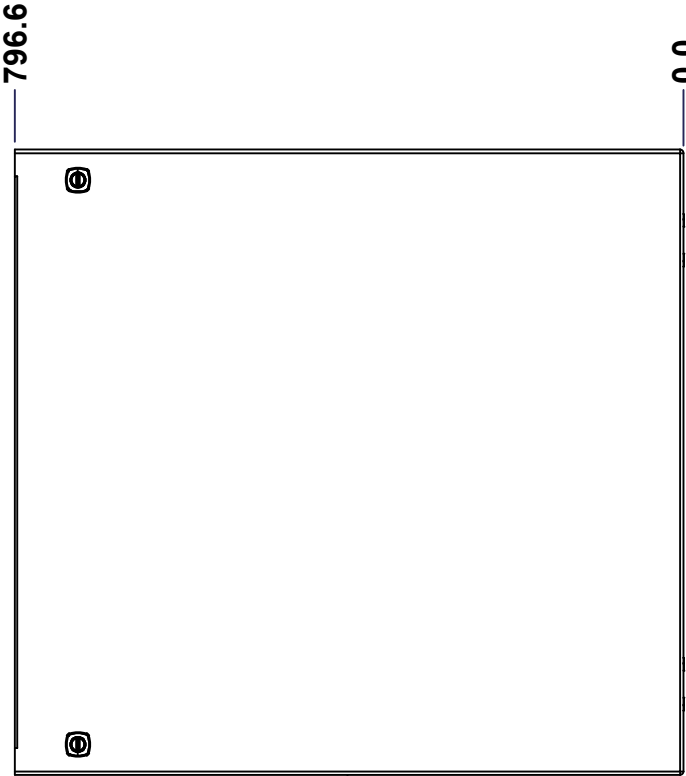
TOP



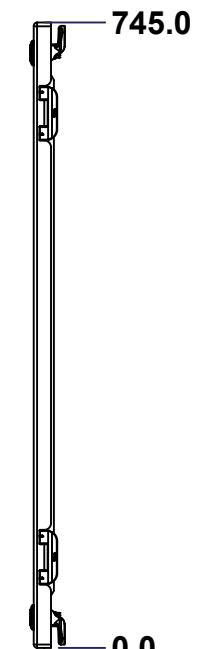
BACK



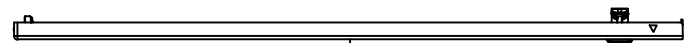
LEFT



FRONT

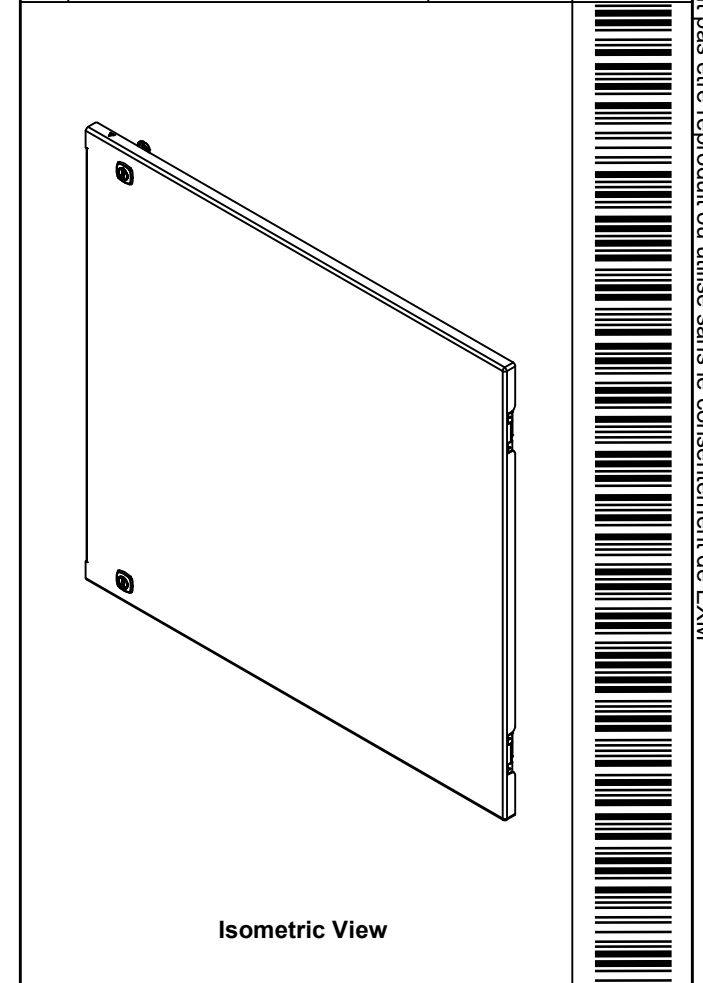



RIGHT



BOTTOM

No.	Revisions	Date	By/Par



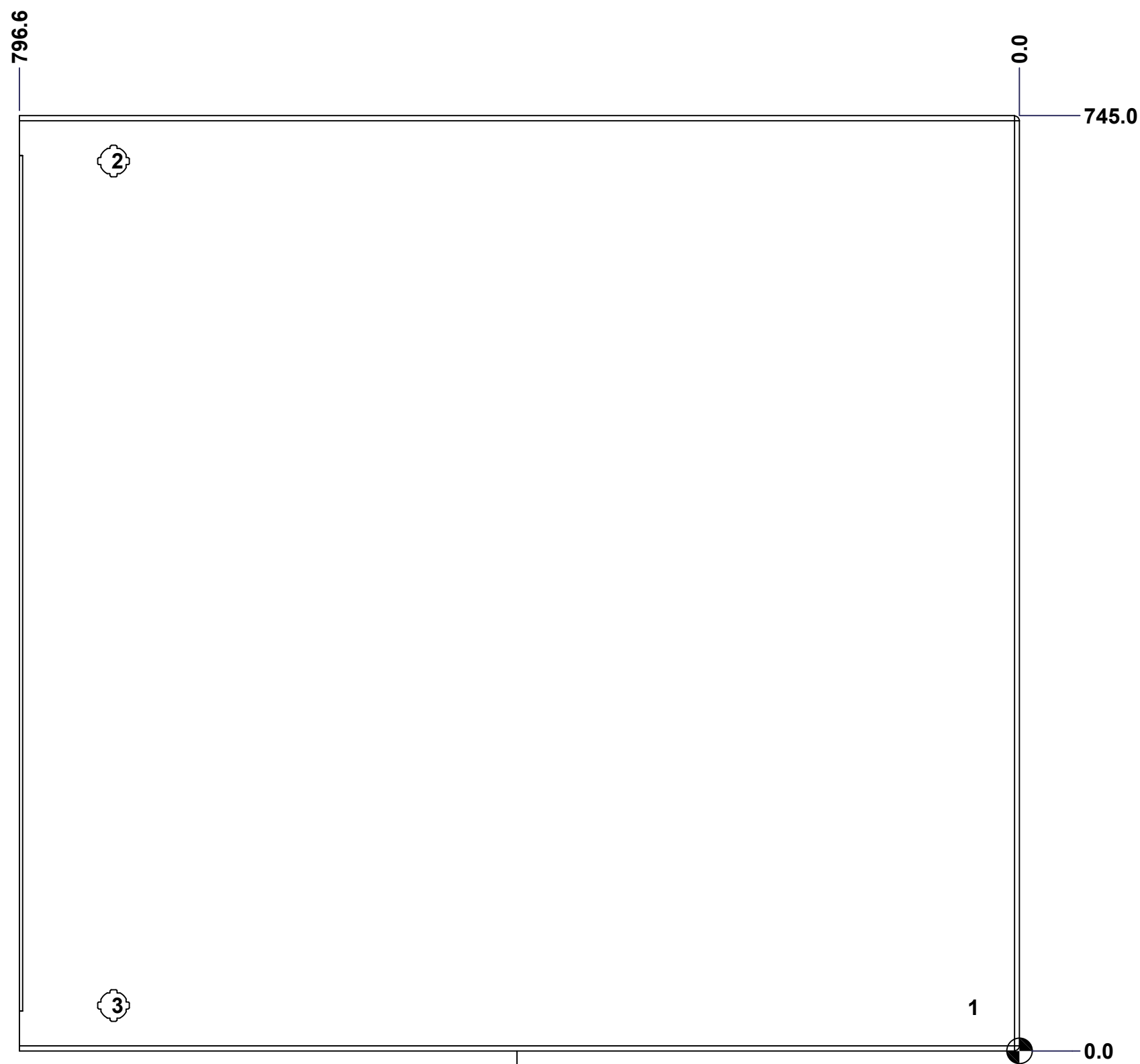
 Tél: (450) 979-4373 Fax: (450) 979-4626 www.exmweb.com		Flatness Aplatissement
		Max 3.0mm
Customer Client		Date
Drawn By Dessiné Par BoxCad: BoxCad		Date 04-Aug-15
Material Matière 14 Ga Cold Rolled A1008 CS Type B (1.7mm)		
Color Couleur Light Grey RAL7035	Finish Fini Textured	
Description 6500MCODDFD 770mm x 1600mm Front Lock Door		Detail Rev.
Part Number Numéro Pièce 6500MCODDFD1604FR		Rev. 12 0 16

SEE BILL OF MATERIAL ON LAST PAGE

This drawing is confidential and must not be reproduced or used without the consent of EXM

Ce dessin est confidentiel et ne doit pas être reproduit ou utilisé sans le consentement de EXM

STANDARD FEATURES ARE NOT LISTED IN THIS HOLE TABLE			
HOLE TABLE - FRONT VIEW (CUSTOM FEATURE ONLY)			
CUT-OUT	XDIM	YDIM	DESCRIPTION
1	40.0	35.0	GND STUD M6 x 16mm (Inside)
2	721.6	708.8	LOCK 880 SCQ4-SL @ 90.0°
3	721.6	36.2	LOCK 880 SCQ4-SL @ 270.0°



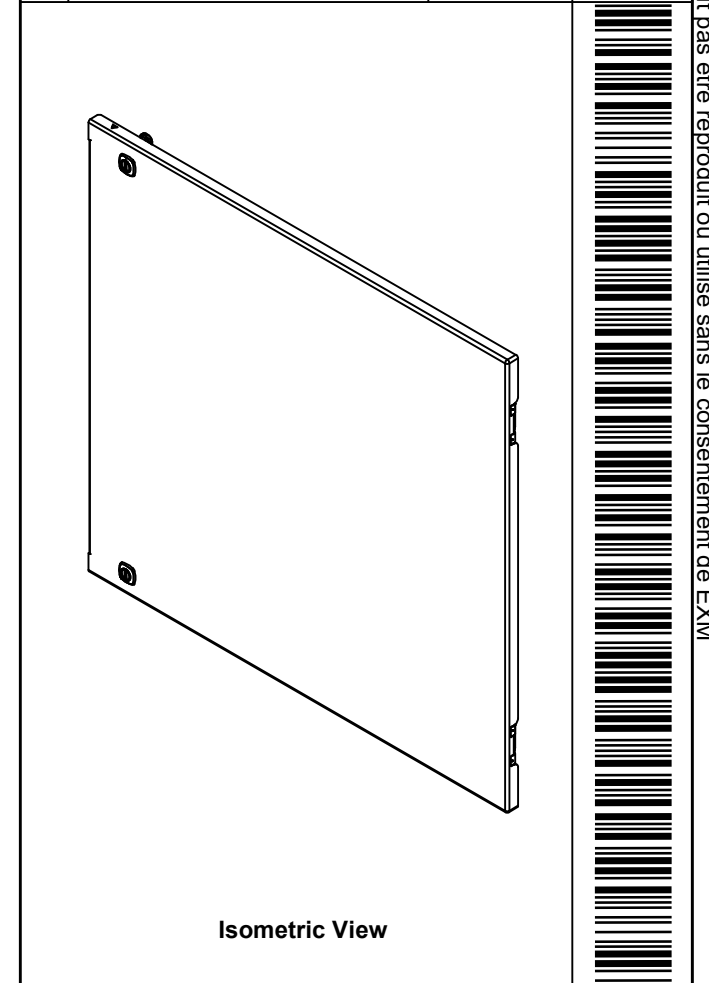
FRONT

	Description 6500MCODDFD 770mm x 1600mm Front Lock Door	Status (NULL)
	Part Number Numéro Pièce 6500MCODDFD1604FR	Rev. 13 0 16

This drawing is confidential and must not be reproduced or used without the consent of EXM

Ce dessin est confidentiel et ne doit pas être reproduit ou utilisé sans le consentement de EXM

No.	Revisions	Date	By/Par



Tél: (450) 979-4373 Fax: (450) 979-4626 www.exmweb.com		Flatness Aplatissement
		Max 3.0mm
Projection		
Customer Client	Date	
Drawn By Dessiné Par	BoxCad: BoxCad	Date 04-Aug-15
Material Matière	14 Ga Cold Rolled A1008 CS Type B (1.7mm)	
Color Couleur	Light Grey RAL7035	Finish Fini Textured
Description		Detail Rev.
6500MCODDFD 770mm x 1600mm Front Lock Door		
Part Number Numéro Pièce	Rev.	14
6500MCODDFD1604FR	0	16

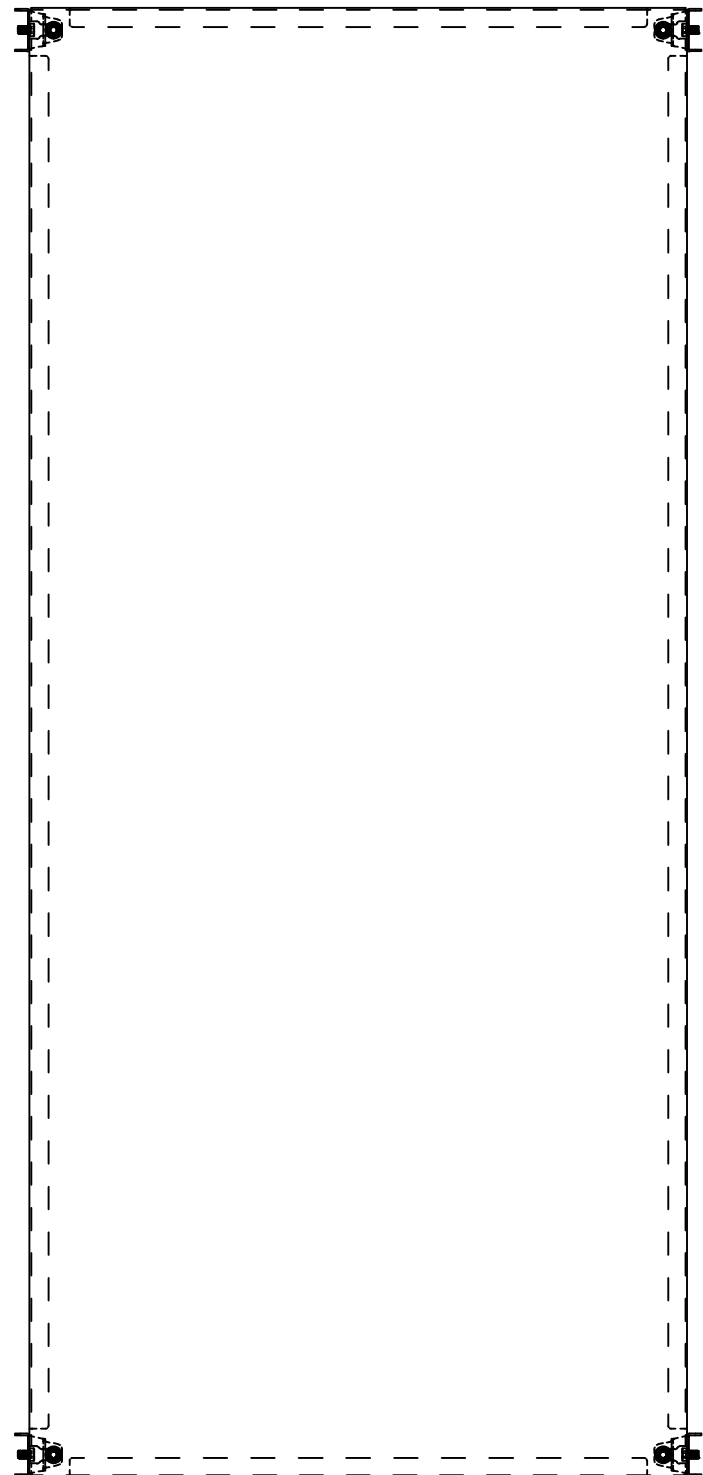
Qty	Part Number	Rev	Description
2	STK-K-12500	19	5412 ES 1/4 Turn Lock
1	STK-Q-16080	0	Ground Stud M6 x 16mm Steel
1	STK-P-03820R	0	Powder Paint (Light Grey / Rough Textured)
1	6500MCODDFD1604FR-P	0	6500MCODDFD 770mm x 1600mm Front Lock Door Part
1	6500MCODDFD1604FR-G	0	6500MCODDFD 770mm x 1600mm Front Lock Door Gasket
2	STK-K-09800	10	5412 ES Hinge with 2 Captive Hinge Pins
Parts List			

This drawing is confidential and must not be reproduced or used without the consent of EXM

Ce dessin est confidentiel et ne doit pas être reproduit ou utilisé sans le consentement de EXM



TOP



FRONT

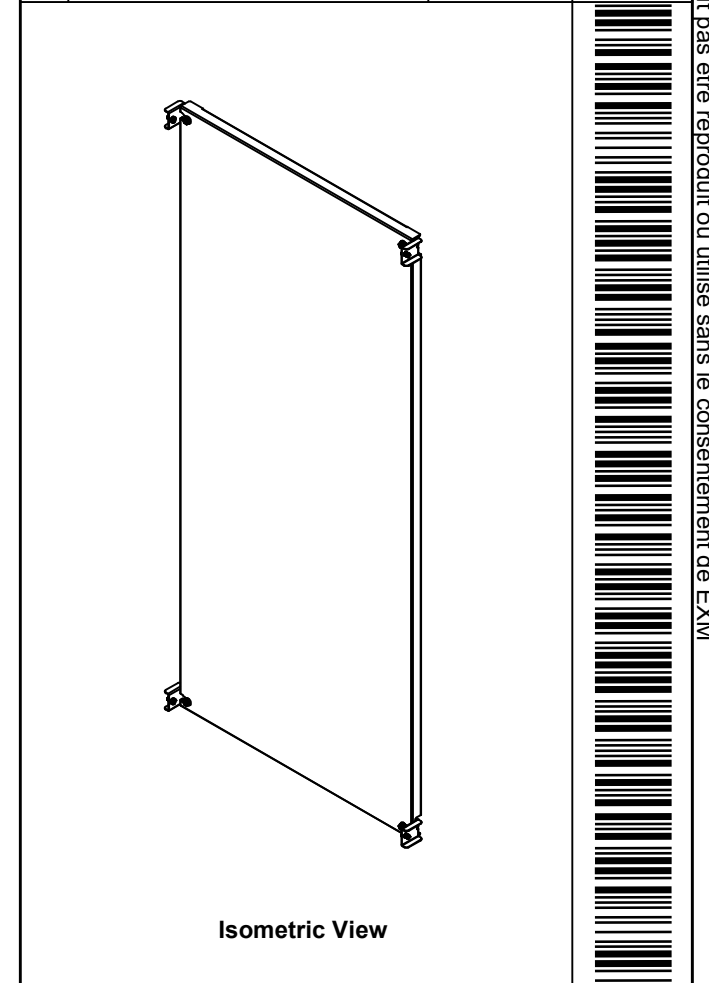
1530.0


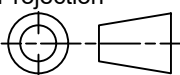
0.0

RIGHT

SEE BILL OF MATERIAL ON LAST PAGE

No.	Revisions	Date	By/Par

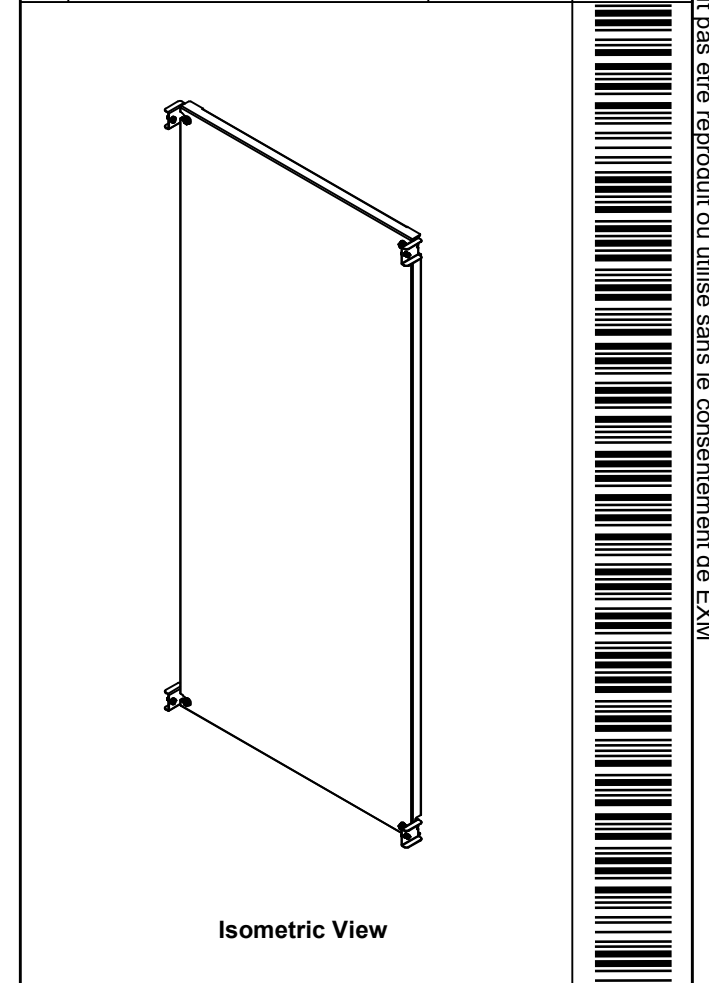



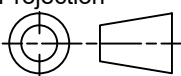
 Tél: (450) 979-4373 Fax: (450) 979-4626 www.exmweb.com		Flatness Aplatissement Max 3.0mm
Customer Client		Projection 
Drawn By / Dessiné Par: BoxCad: BoxCad		Date: 04-Aug-15
Material / Matière: 14 Ga Galvanized		
Color / Couleur: Unpainted	Finish / Fini: Textured	
Description: 6500MCODDFD 770mm x 1600mm Inner Panel Part		Detail Rev.
Part Number / Numéro Pièce: 6500MCODDFD1604IP		Rev. 0
Rev. 15		16

This drawing is confidential and must not be reproduced or used without the consent of EXM

Ce dessin est confidentiel et ne doit pas être reproduit ou utilisé sans le consentement de EXM

No.	Revisions	Date	By/Par



 Tél: (450) 979-4373 Fax: (450) 979-4626 www.exmweb.com		Flatness Aplatissement Max 3.0mm Projection 
Customer Client	Date	
Drawn By Dessiné Par	BoxCad: BoxCad	Date 04-Aug-15
Material Matière	14 Ga Galvanized	
Color Couleur	Unpainted	Finish Fini Textured
Description		Detail Rev.
6500MCODDFD 770mm x 1600mm Inner Panel Part		
Part Number Numéro Pièce	Rev.	16
6500MCODDFD1604IP	0	16

Qty	Part Number	Rev	Description
4	STK-Q-00700	2	M8 x 12mm Hex Socket Cap Screw (DIN 6912)
4	STK-Q-07310	3	Flange Lock Nut M8
1	6500MCODDFD1604IP-P	0	6500MCODDFD 770mm x 1600mm Inner Panel Part
4	STK-Q-07640	0	6500 MTU Inner Panel Support Bracket
Parts List			