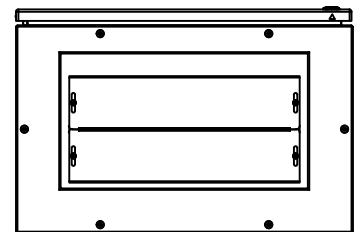
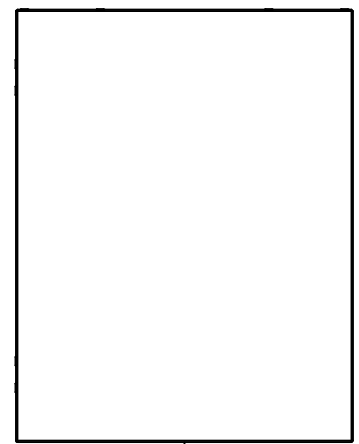


This drawing is confidential and must not be reproduced or used without the consent of EXM

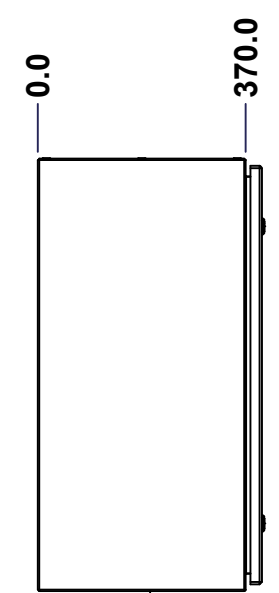
Ce dessin est confidentiel et ne doit pas être reproduit ou utilisé sans le consentement de EXM



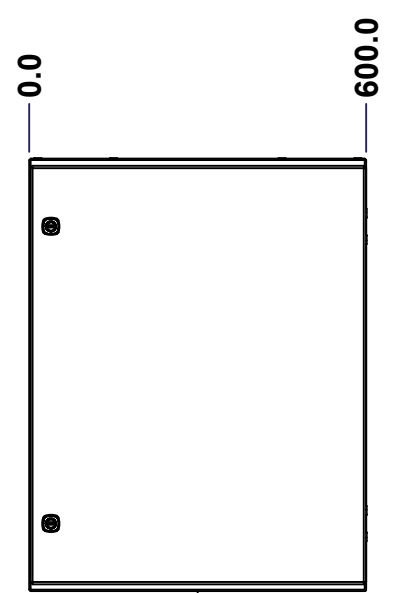
TOP



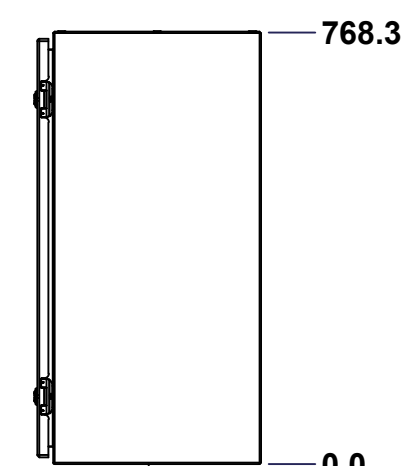
BACK



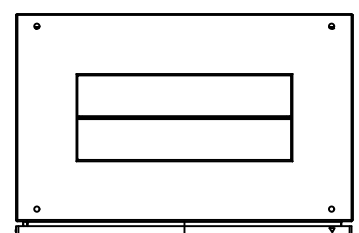
LEFT



FRONT

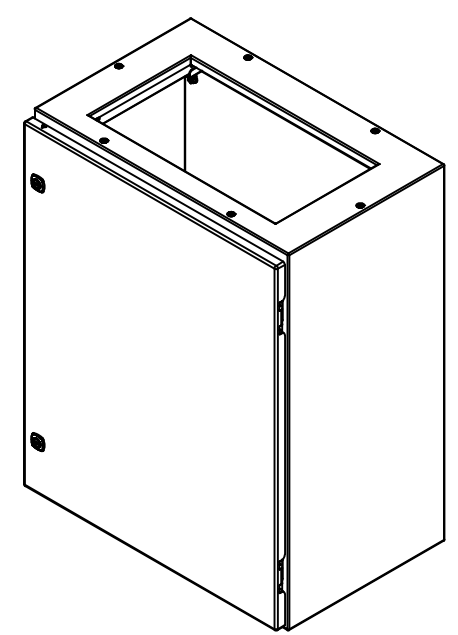


RIGHT

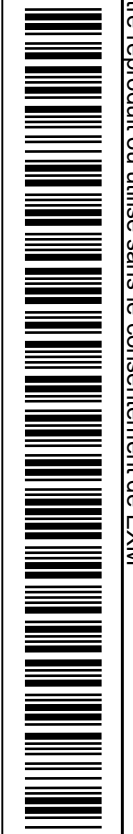


BOTTOM

No.	Revisions	Date	By/Par



Isometric View



Tél: (450) 979-4373  
 Fax: (450) 979-4626  
[www.exmweb.com](http://www.exmweb.com)

Flatness  
Aplatissement  
Max 3.0mm  
Projection

Customer Client	Date
Drawn By Dessiné Par BoxCad: BoxCad	Date 29-Jul-15
Material Matière 14 Ga Cold Rolled A1008 CS Type B (1.7mm)	
Color Couleur Light Grey RAL7035	Finish Fini Textured
Description 6500MCOFD 770mm x 600mm x 400mm Assembly	Detail Rev.
Part Number Numéro Pièce <b>6500MCOFD0604</b>	Rev. 1 <b>0</b>

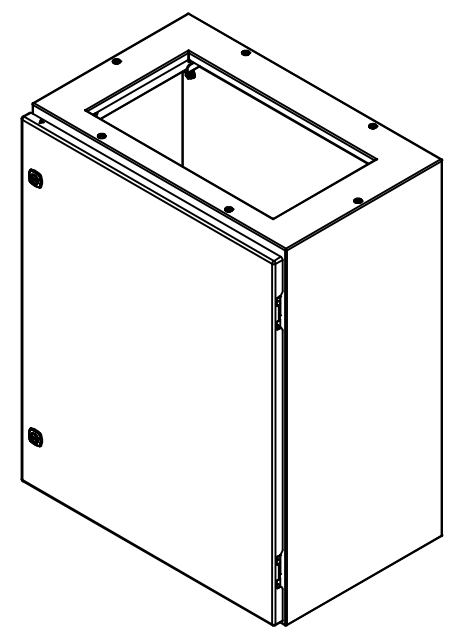
SEE BILL OF MATERIAL ON LAST PAGE

This drawing is confidential and must not be reproduced or used without the consent of EXM

Ce dessin est confidentiel et ne doit pas être reproduit ou utilisé sans le consentement de EXM

NOTE	
ITEM	DESCRIPTION
1	NEMA 12, 13 Enclosure (IP55)
2	C/W Standard ground studs on box and cover
3	C/W Standard door stiffener
4	C/W Special inner panel (Sold separately)
5	C/W Standard inner panel mounting studs

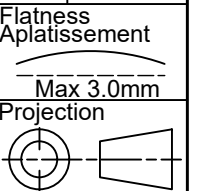
No.	Revisions	Date	By/Par



Isometric View



Tél: (450) 979-4373  
 Fax: (450) 979-4626  
[www.exmweb.com](http://www.exmweb.com)



Customer Client	Date
Drawn By / Dessiné Par: BoxCad: BoxCad	Date: 29-Jul-15
Material / Matière: 14 Ga Cold Rolled A1008 CS Type B (1.7mm)	

Color / Couleur: Light Grey RAL7035	Finish / Fini: Textured
Description: 6500MCOFD 770mm x 600mm x 400mm Assembly	Detail Rev.
Part Number / Numéro Pièce: <b>6500MCOFD0604</b>	Rev. 0

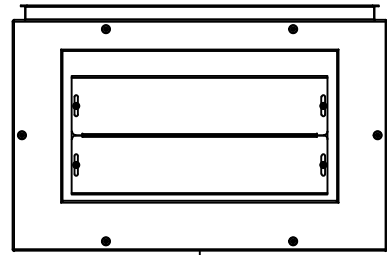
PACKING		
ITEM	QTY	DESCRIPTION
Cardboard sleeve	2	Top and Bottom
Cardboard strip	2	Between back of enclosure and inner panel
Plastic bag	1	To protect cover surface and inside gasket
Plastic strap - Black	2	To Squeeze the 2 cardboard sleeve together
Packaging label	1	White label with product number

Qty	Part Number	Rev	Description
4	STK-Q-00700	2	M8 x 12mm Hex Socket Cap Screw (DIN 6912)
1	6500MCOFD0604IP	0	6500MCOFD 770mm x 600mm Inner Panel Part
1	6500MCOFD0604FD	0	6500MCOFD 770mm x 600mm Front Cover
1	6500MCOFD0604B	0	6500MCOFD 770mm x 600mm x 400mm Body
2	STK-Q-04050-07	7	M6 x 7mm Hexagon Socket Head Machine Screw with Nyseal

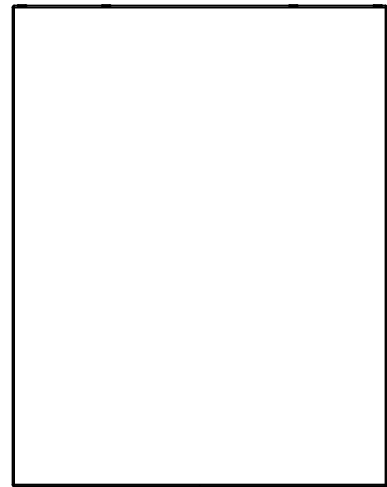
Parts List

This drawing is confidential and must not be reproduced or used without the consent of EXM

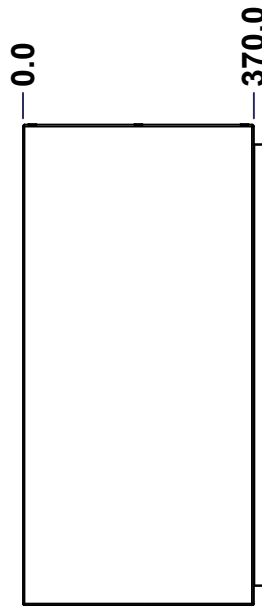
Ce dessin est confidentiel et ne doit pas être reproduit ou utilisé sans le consentement de EXM



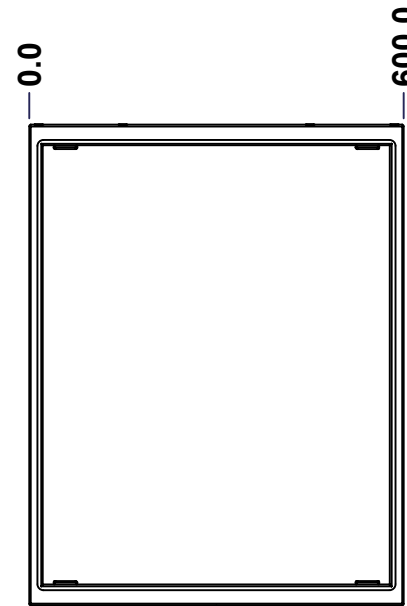
TOP



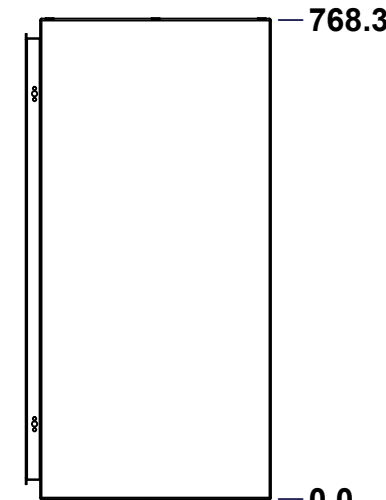
BACK



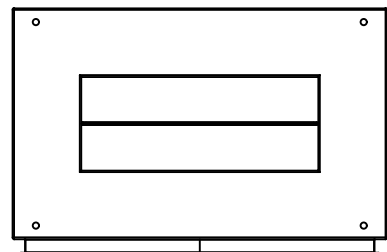
LEFT



FRONT

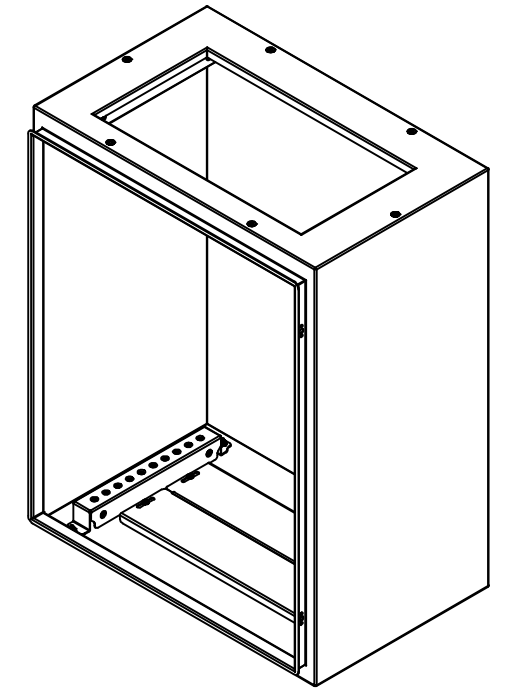


RIGHT



BOTTOM

No.	Revisions	Date	By/Par



Isometric View

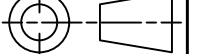


Tél: (450) 979-4373  
 Fax: (450) 979-4626  
[www.exmweb.com](http://www.exmweb.com)

Flatness  
Aplatissement

Max 3.0mm

Projection



Customer Client	Date
Drawn By Dessiné Par BoxCad: BoxCad	Date 29-Jul-15
Material Matière 14 Ga Cold Rolled A1008 CS Type B (1.7mm)	
Color Couleur Light Grey RAL7035	Finish Fini Textured
Description 6500MCOFD 770mm x 600mm x 400mm Body	Detail Rev.
Part Number Numéro Pièce <b>6500MCOFD0604B</b>	Rev. 3
	0

SEE BILL OF MATERIAL ON LAST PAGE

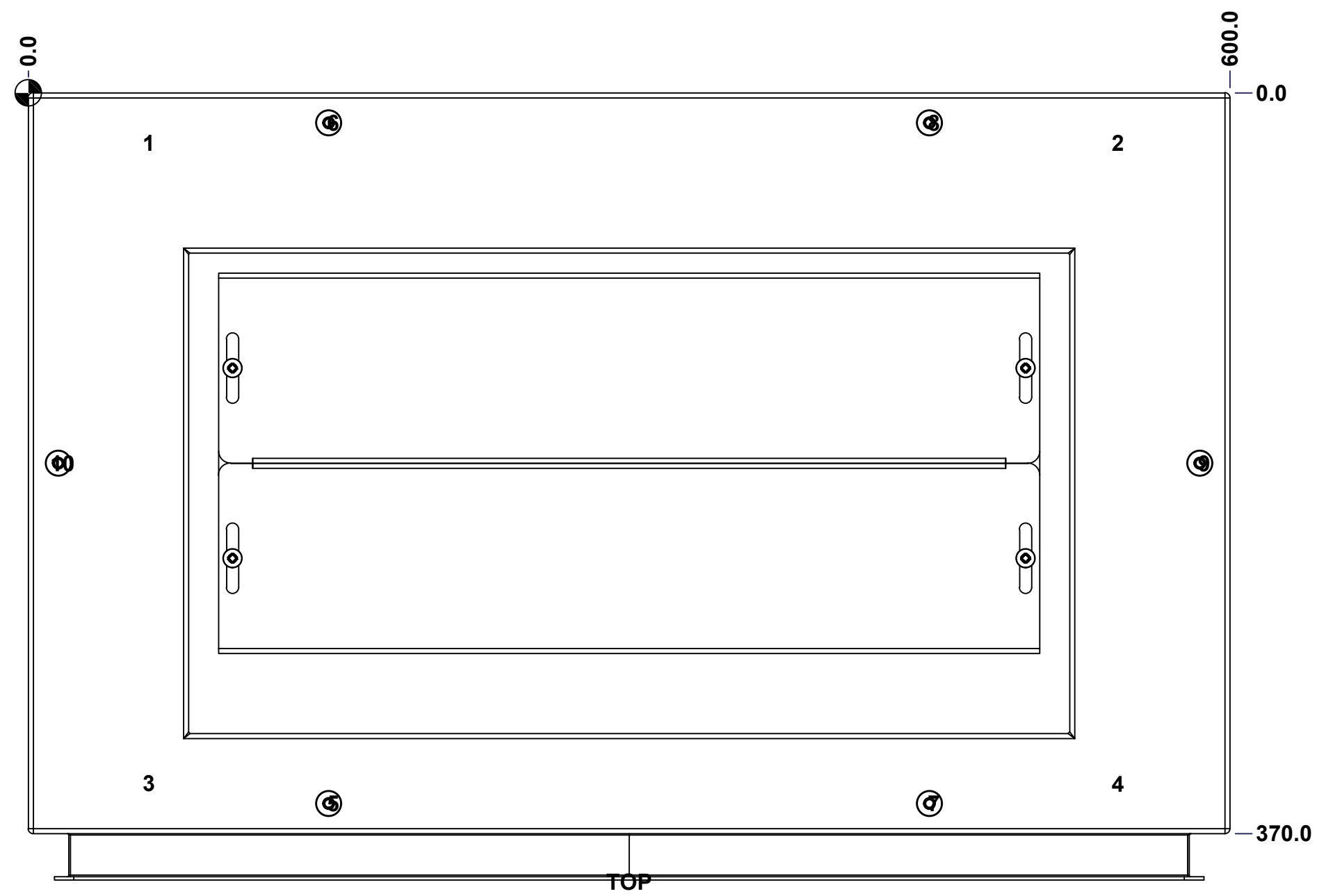
This drawing is confidential and must not be reproduced or used without the consent of EXM

Ce dessin est confidentiel et ne doit pas être reproduit ou utilisé sans le consentement de EXM

**STANDARD FEATURES ARE NOT LISTED IN THIS HOLE TABLE**

**HOLE TABLE - TOP VIEW (CUSTOM FEATURE ONLY)**

CUT-OUT	XDIM	YDIM	DESCRIPTION
1	58.0	25.0	STUD M6 x 18mm (Inside)
2	542.0	25.0	STUD M6 x 18mm (Inside)
3	58.0	345.0	STUD M6 x 18mm (Inside)
4	542.0	345.0	STUD M6 x 18mm (Inside)
-----			
5	150.0	355.0	RIVET NUT M6_FH_CE (Inside)
6	150.0	15.0	RIVET NUT M6_FH_CE (Inside)
7	450.0	355.0	RIVET NUT M6_FH_CE (Inside)
8	450.0	15.0	RIVET NUT M6_FH_CE (Inside)
9	585.0	185.0	RIVET NUT M6_FH_CE (Inside)
10	15.0	185.0	RIVET NUT M6_FH_CE (Inside)

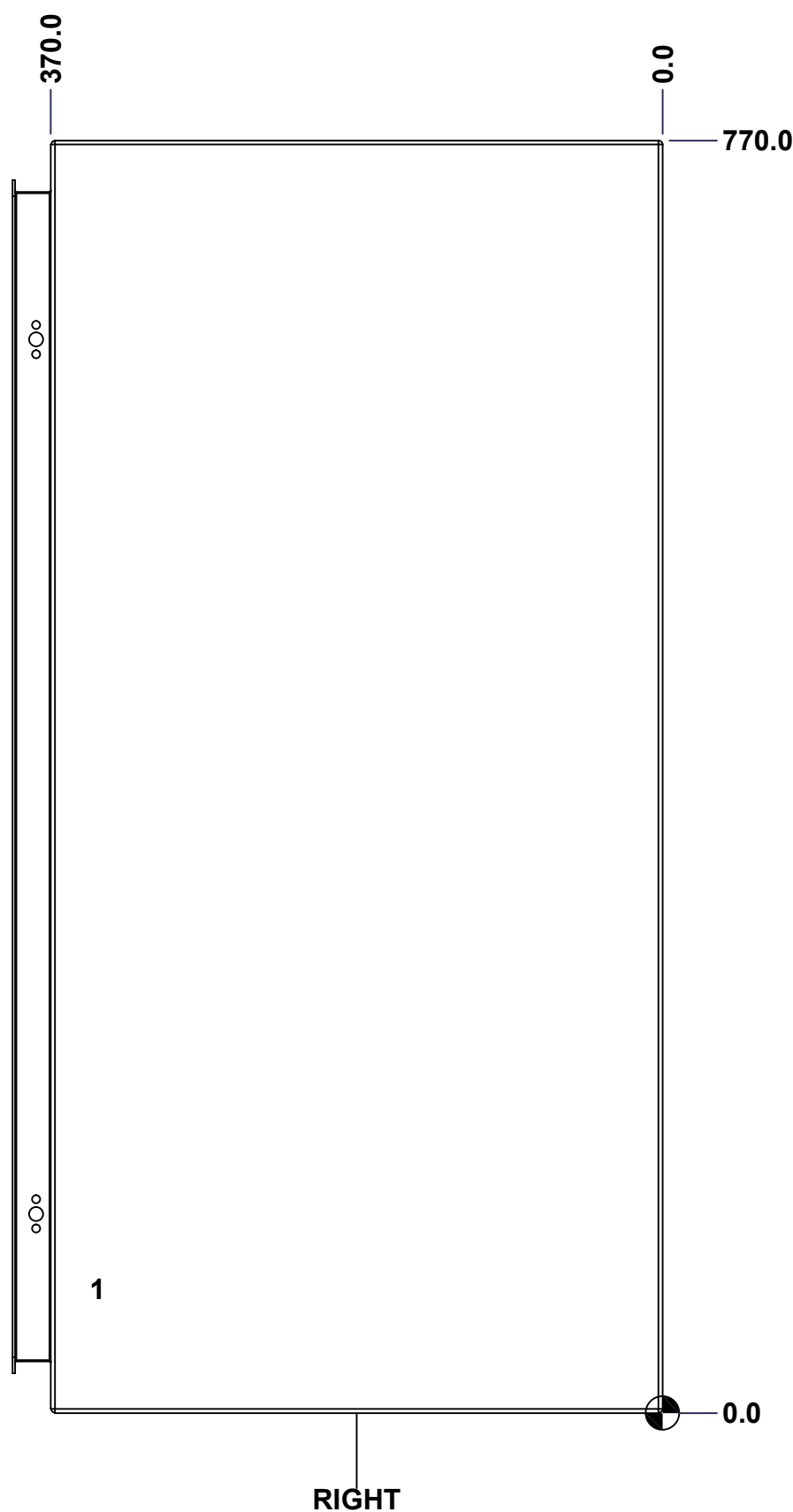


	Description 6500MCOFD 770mm x 600mm x 400mm Body	Status (NULL)
	Part Number Numéro Pièce <b>6500MCOFD0604B</b>	Rev. 4 <b>0</b>

This drawing is confidential and must not be reproduced or used without the consent of EXM

Ce dessin est confidentiel et ne doit pas être reproduit ou utilisé sans le consentement de EXM

<b>STANDARD FEATURES ARE NOT LISTED IN THIS HOLE TABLE</b>			
<b>HOLE TABLE - RIGHT VIEW (CUSTOM FEATURE ONLY)</b>			
CUT-OUT	XDIM	YDIM	DESCRIPTION
1	345.0	75.0	GND STUD M6 x 16mm (Inside)



	Description 6500MCOFD 770mm x 600mm x 400mm Body	Status (NULL)
	Part Number Numéro Pièce <b>6500MCOFD0604B</b>	Rev. 5 <b>0</b> / 12

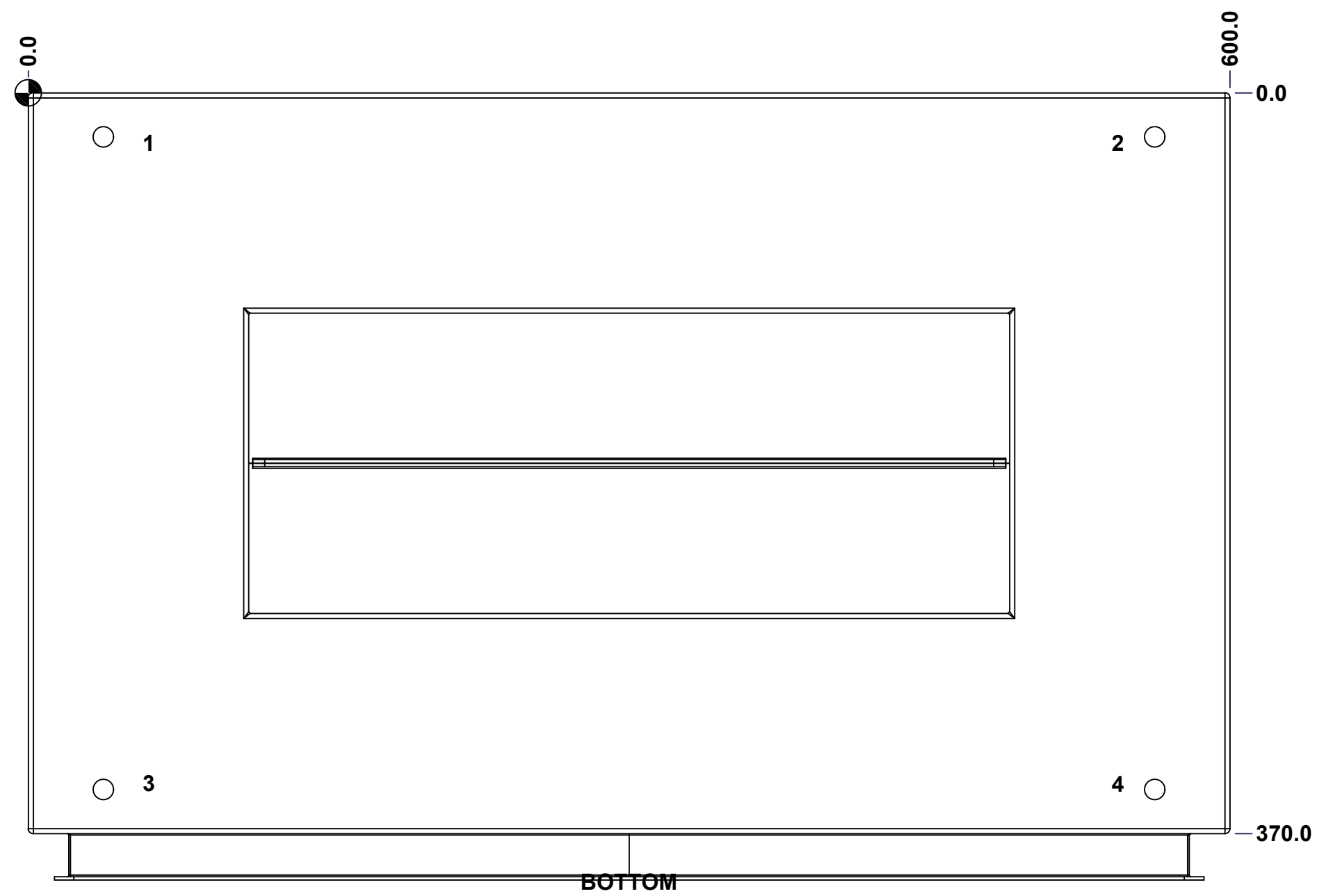
This drawing is confidential and must not be reproduced or used without the consent of EXM

Ce dessin est confidentiel et ne doit pas être reproduit ou utilisé sans le consentement de EXM

**STANDARD FEATURES ARE NOT LISTED IN THIS HOLE TABLE**

**HOLE TABLE - BOTTOM VIEW (CUSTOM FEATURE ONLY)**

CUT-OUT	XDIM	YDIM	DESCRIPTION
1	58.0	25.0	STUD M6 x 18mm (Inside)
2	542.0	25.0	STUD M6 x 18mm (Inside)
3	58.0	345.0	STUD M6 x 18mm (Inside)
4	542.0	345.0	STUD M6 x 18mm (Inside)

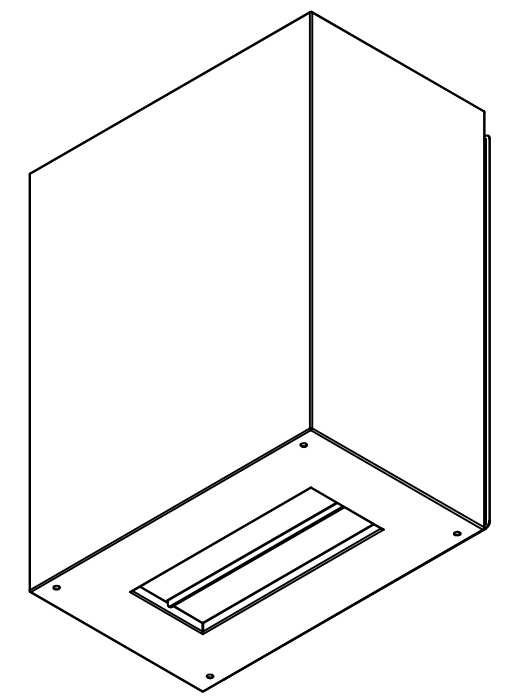


	Description 6500MCOFD 770mm x 600mm x 400mm Body		Status (NULL)	
	Part Number Numéro Pièce <b>6500MCOFD0604B</b>		Rev. <b>0</b>	6 12

This drawing is confidential and must not be reproduced or used without the consent of EXM

Ce dessin est confidentiel et ne doit pas être reproduit ou utilisé sans le consentement de EXM

No.	Revisions	Date	By/Par



Isometric View



Tél: (450) 979-4373  
 Fax: (450) 979-4626  
[www.exmweb.com](http://www.exmweb.com)

Flatness  
Aplatissement  
Max 3.0mm  
Projection

Customer Client	Date
Drawn By Dessiné Par BoxCad: BoxCad	Date 29-Jul-15

Material  
Matière 14 Ga Cold Rolled A1008 CS Type B (1.7mm)

Color  
Couleur Light Grey RAL7035

Finish  
Fini Textured

Description  
6500MCOFD 770mm x 600mm x 400mm Gland Plate  
6500MCOFD 770mm x 600mm x 400mm Body Part  
Body

Detail Rev.

Part Number  
Numéro Pièce  
**6500MCOFD0604B**

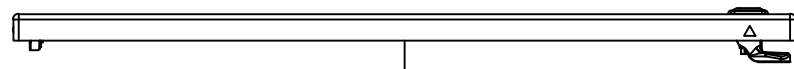
Rev. **0**

7  
12

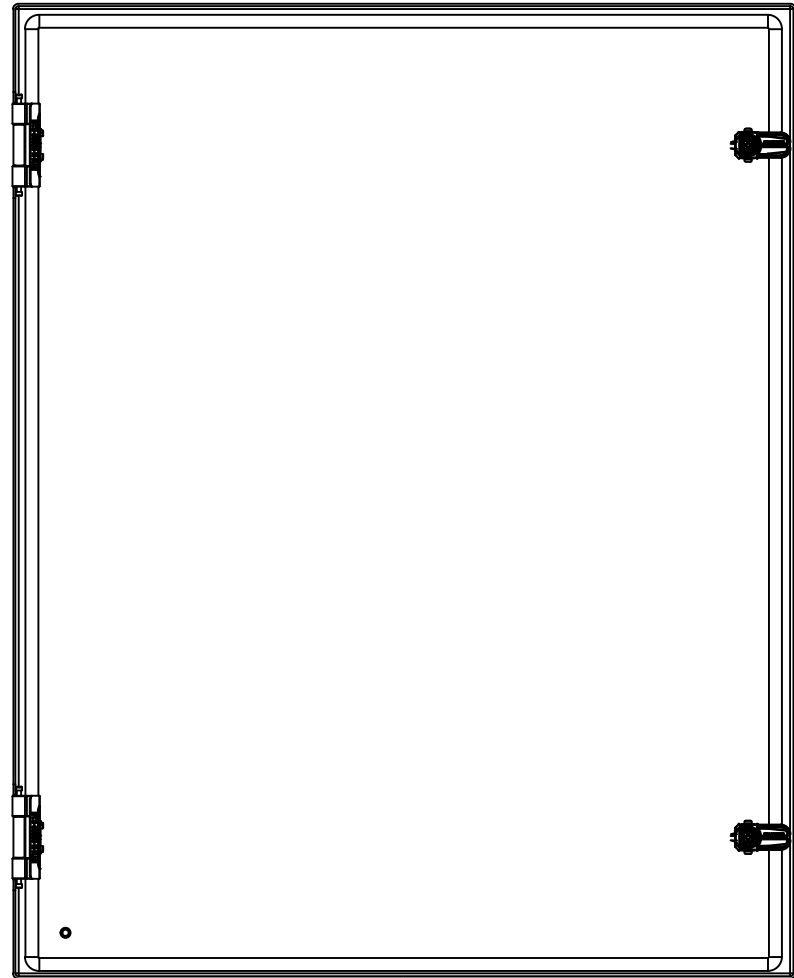
Qty	Part Number	Rev	Description
6	RIVET_NUT_M6_FH_CE	0	Rivet Nut M6 (Low Profile Close End)
1	STK-Q-16080	0	Ground Stud M6 x 16mm Steel
1	STK-P-03820R	0	Powder Paint (Light Grey / Rough Textured)
4	STK-Q-49090-280	2	Mounting Rail 280.0mm
8	STK-Q-16031	0	M6 x 10mm Stud (No Paint Cap Required)
1	6500MCOFD0604GP	0	6500MCOFD 770mm x 600mm x 400mm Gland Plate
1	6500MCOFD0604B-P	0	6500MCOFD 770mm x 600mm x 400mm Body Part
8	STK-Q-07220	1	M6 Nylon Insert Lock Nut
Parts List			

This drawing is confidential and must not be reproduced or used without the consent of EXM

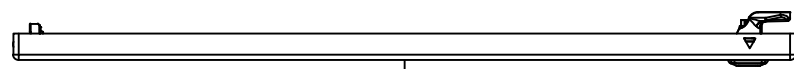
Ce dessin est confidentiel et ne doit pas être reproduit ou utilisé sans le consentement de EXM



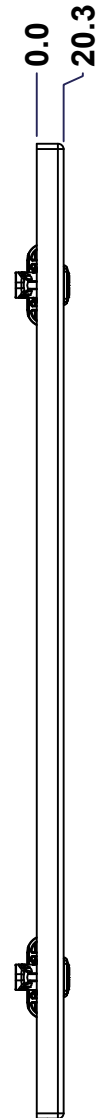
TOP



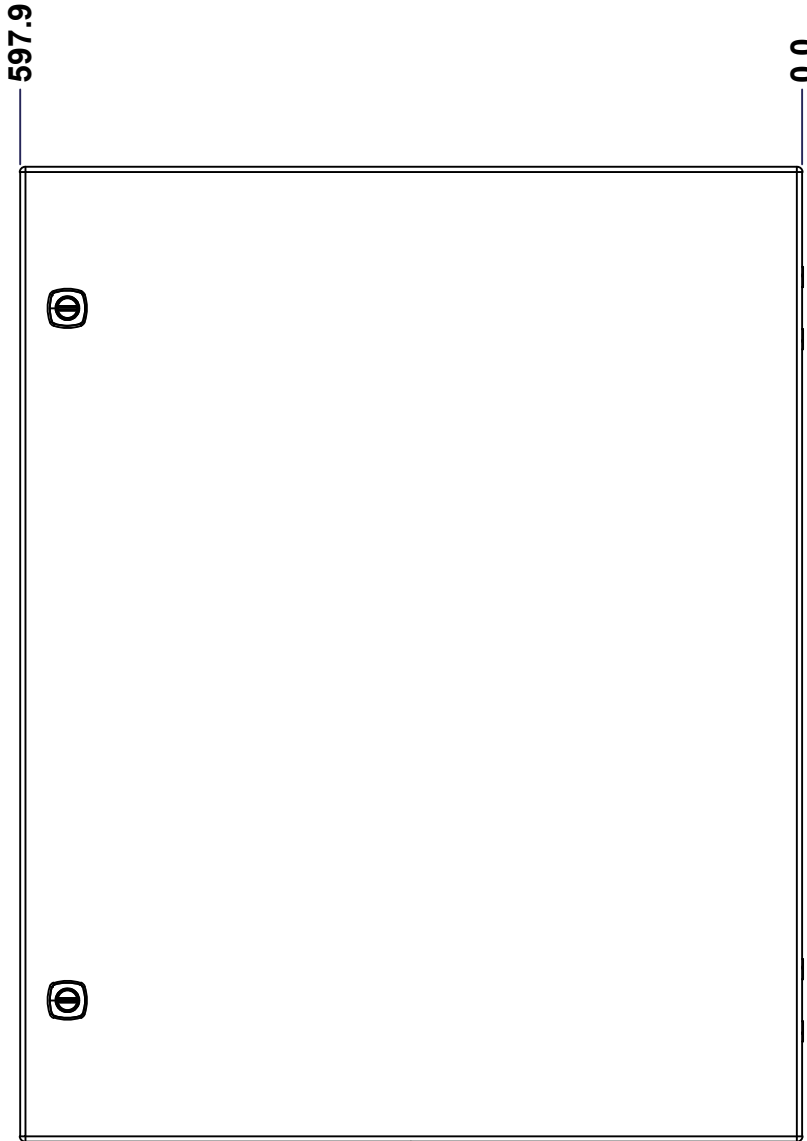
BACK



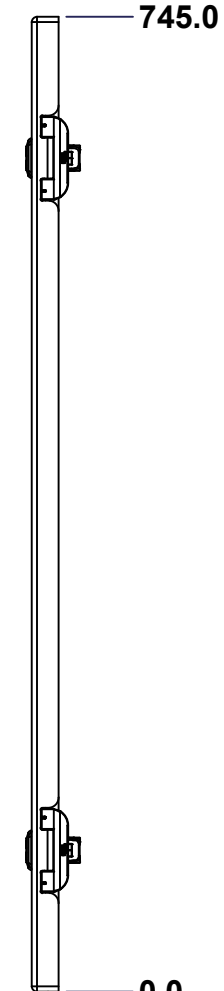
BOTTOM



LEFT

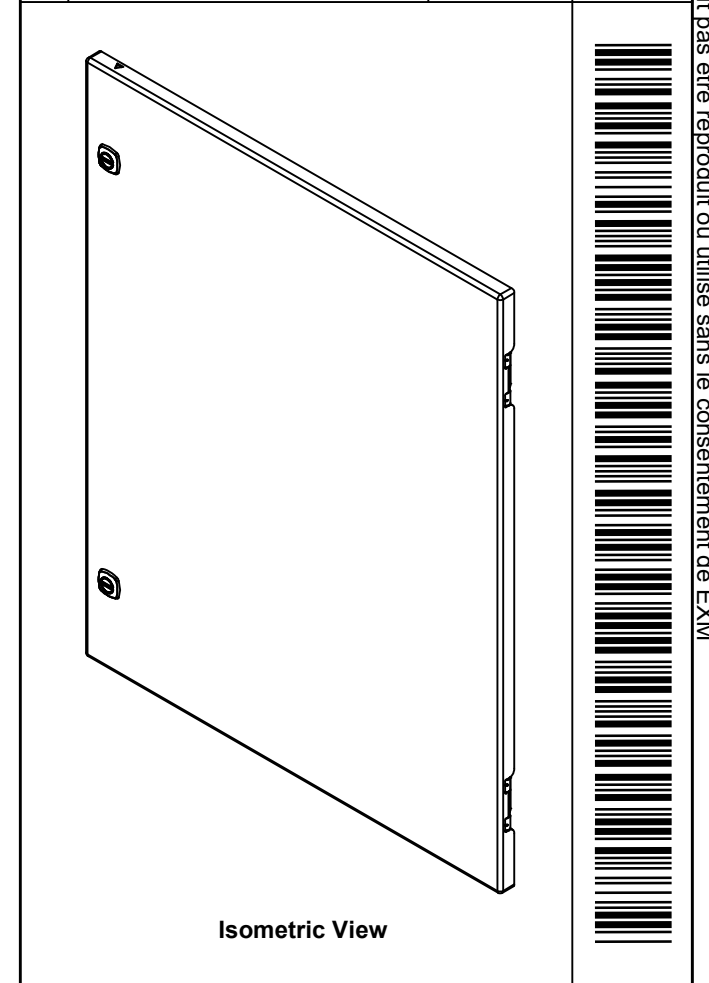


FRONT



RIGHT

No.	Revisions	Date	By/Par



Tél: (450) 979-4373 Fax: (450) 979-4626 <a href="http://www.exmweb.com">www.exmweb.com</a>		Flatness Aplatissement
		Max 3.0mm
Customer Client		Date
Drawn By Dessiné Par BoxCad: BoxCad		Date 29-Jul-15
Material Matière 14 Ga Cold Rolled A1008 CS Type B (1.7mm)		
Color Couleur Light Grey RAL7035	Finish Fini Textured	
Description 6500MCOFD 770mm x 600mm Front Cover		Detail Rev.
Part Number Numéro Pièce <b>6500MCOFD0604FD</b>		Rev. 8 <b>0</b>

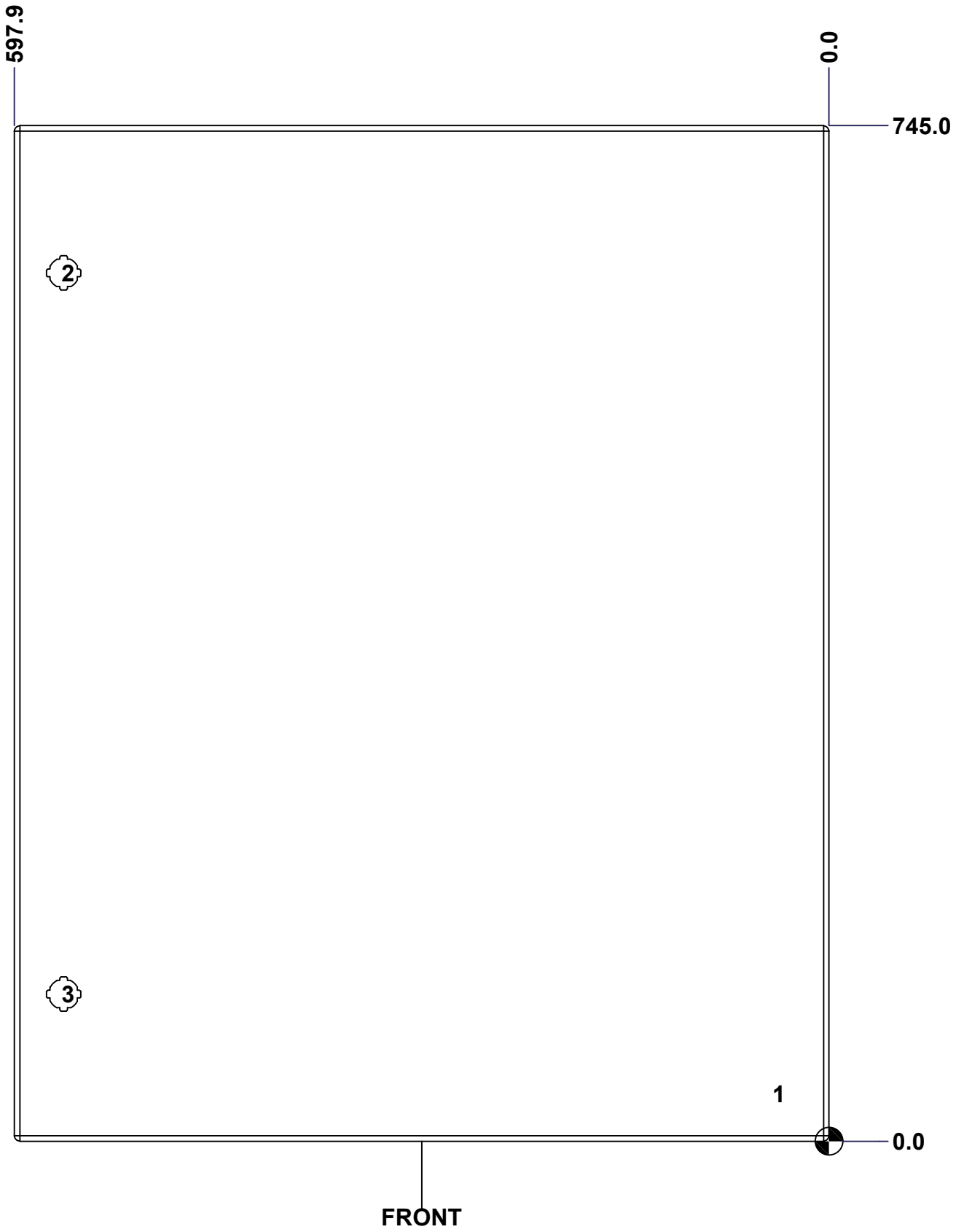
SEE BILL OF MATERIAL ON LAST PAGE



This drawing is confidential and must not be reproduced or used without the consent of EXM

Ce dessin est confidentiel et ne doit pas être reproduit ou utilisé sans le consentement de EXM

STANDARD FEATURES ARE NOT LISTED IN THIS HOLE TABLE			
HOLE TABLE - FRONT VIEW (CUSTOM FEATURE ONLY)			
CUT-OUT	XDIM	YDIM	DESCRIPTION
1	40.0	35.0	GND STUD M6 x 16mm (Inside)
2	561.7	637.0	LOCK 880 SCQ4-SL @ 180.0°
3	561.7	108.0	LOCK 880 SCQ4-SL @ 180.0°

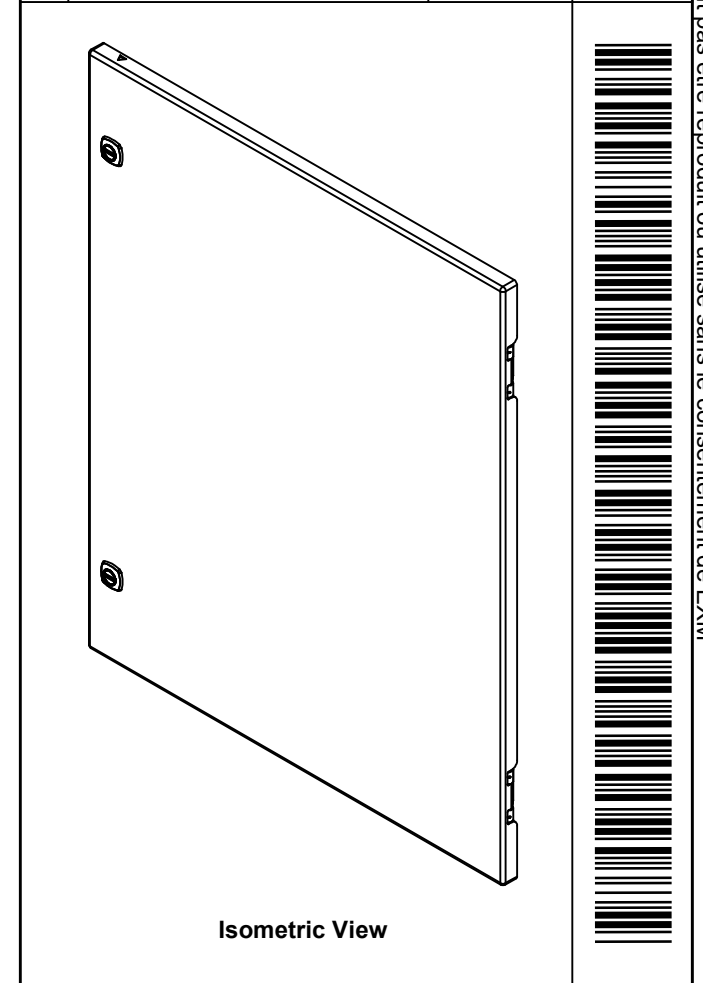



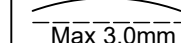
	Description 6500MCOFD 770mm x 600mm Front Cover	Status (NULL)
	Part Number Numéro Pièce <b>6500MCOFD0604FD</b>	Rev. 9 <b>0</b>

This drawing is confidential and must not be reproduced or used without the consent of EXM

Ce dessin est confidentiel et ne doit pas être reproduit ou utilisé sans le consentement de EXM

No.	Revisions	Date	By/Par

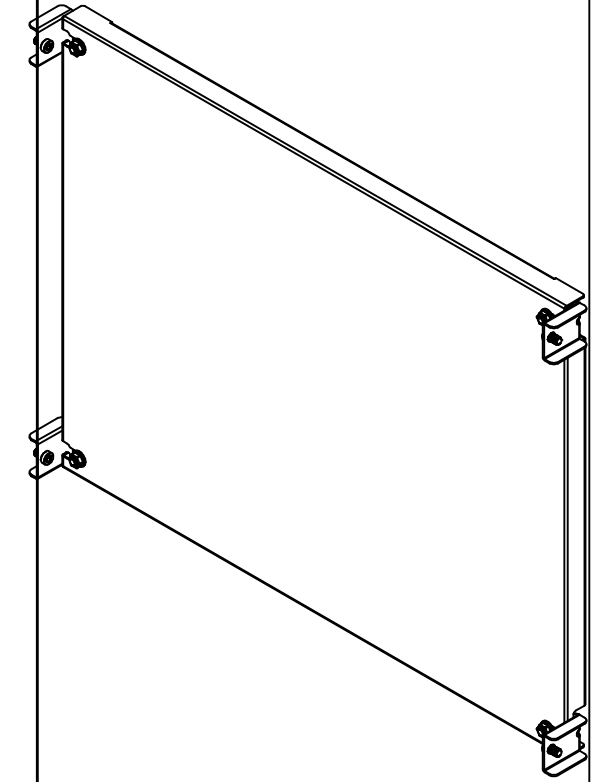
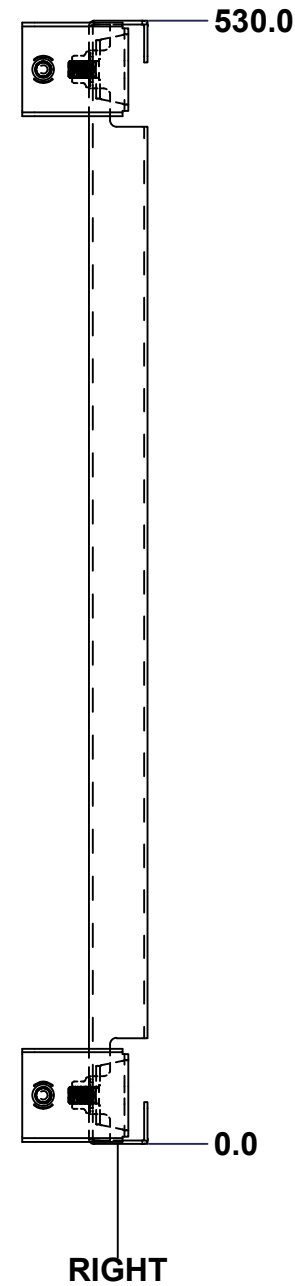
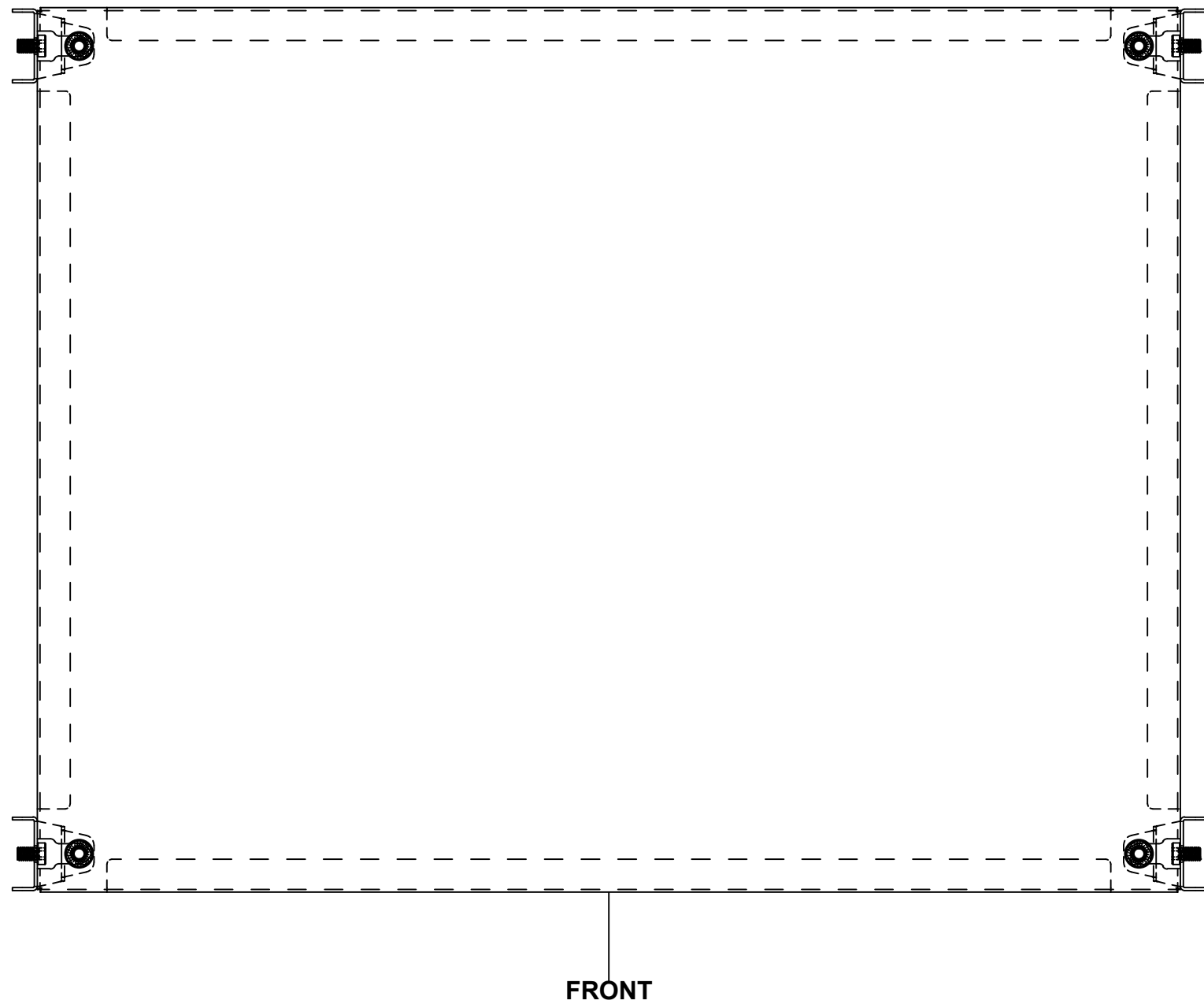
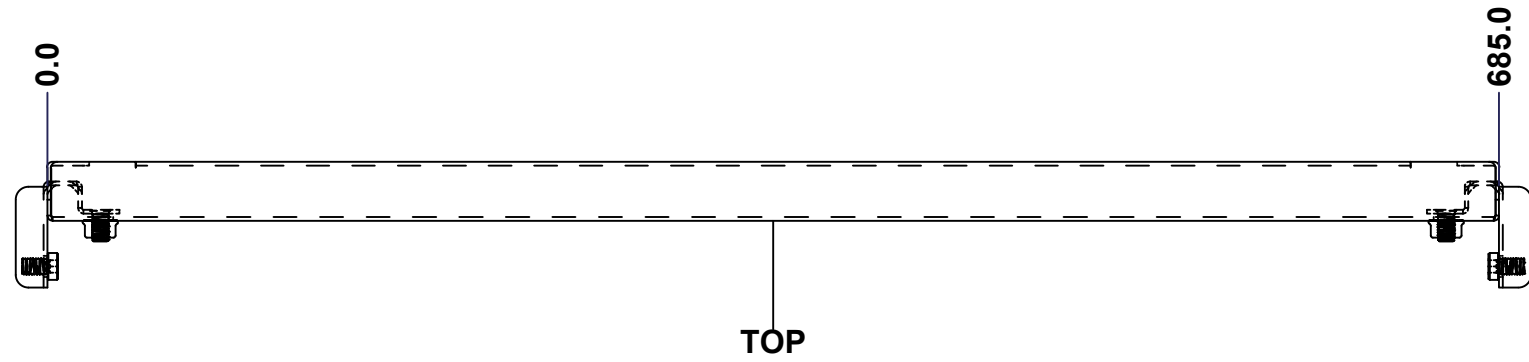


 Tél: (450) 979-4373 Fax: (450) 979-4626 <a href="http://www.exmweb.com">www.exmweb.com</a>		Flatness Aplatissement  Max 3.0mm
Customer Client		Date
Drawn By / Dessiné Par: BoxCad: BoxCad		Date: 29-Jul-15
Material / Matière: 14 Ga Cold Rolled A1008 CS Type B (1.7mm)		
Color / Couleur: Light Grey RAL7035		Finish / Fini: Textured
Description: 6500MCOFD 770mm x 600mm Front Cover		Detail Rev.
Part Number / Numéro Pièce: <b>6500MCOFD0604FD</b>		Rev. 10 <b>0</b>

Qty	Part Number	Rev	Description
1	STK-Q-16080	0	Ground Stud M6 x 16mm Steel
1	STK-P-03820R	0	Powder Paint (Light Grey / Rough Textured)
1	6500MCOFD0604FD-P	0	6500MCOFD 770mm x 600mm Front Cover Part
1	6500MCOFD0604FD-G	0	6500MCOFD 770mm x 600mm Front Cover Gasket
2	STK-K-12500	19	5412 ES 1/4 Turn Lock
2	STK-K-09800	10	5412 ES Hinge with 2 Captive Hinge Pins
Parts List			


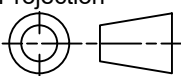
This drawing is confidential and must not be reproduced or used without the consent of EXM

Ce dessin est confidentiel et ne doit pas être reproduit ou utilisé sans le consentement de EXM



Isometric View



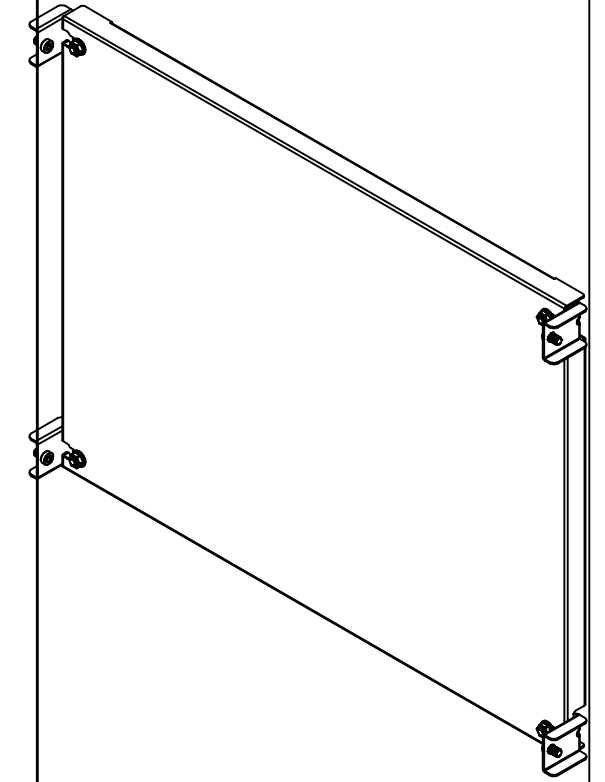
 Tél: (450) 979-4373 Fax: (450) 979-4626 <a href="http://www.exmweb.com">www.exmweb.com</a>		Flatness Aplatissement Max 3.0mm Projection 
Customer Client	Date	
Drawn By Dessiné Par	BoxCad: BoxCad	Date 29-Jul-15
Material Matière	14 Ga Galvanized	
Color Couleur	Unpainted	Finish Fini Textured
Description	Detail Rev.	
6500MCOFD 770mm x 600mm Inner Panel Part		
Part Number Numéro Pièce	Rev.	11
<b>6500MCOFD0604IP</b>	<b>0</b>	12

SEE BILL OF MATERIAL ON LAST PAGE

This drawing is confidential and must not be reproduced or used without the consent of EXM

Ce dessin est confidentiel et ne doit pas être reproduit ou utilisé sans le consentement de EXM

No.	Revisions	Date	By/Par



Isometric View



Tél: (450) 979-4373  
 Fax: (450) 979-4626  
[www.exmweb.com](http://www.exmweb.com)

Flatness  
Aplatissement  
Max 3.0mm  
Projection

Customer Client	Date
Drawn By / Dessiné Par: BoxCad: BoxCad	Date: 29-Jul-15
Material / Matière: 14 Ga Galvanized	
Color / Couleur: Unpainted	Finish / Fini: Textured

Qty	Part Number	Rev	Description
4	STK-Q-00700	2	M8 x 12mm Hex Socket Cap Screw (DIN 6912)
4	STK-Q-07310	3	Flange Lock Nut M8
1	6500MCOFD0604IP-P	0	6500MCOFD 770mm x 600mm Inner Panel Part
4	STK-Q-07640	0	6500 MTU Inner Panel Support Bracket
Parts List			

Description: 6500MCOFD 770mm x 600mm Inner Panel Part		Detail Rev.	
Part Number / Numéro Pièce: <b>6500MCOFD0604IP</b>		Rev.:	12
		<b>0</b>	12