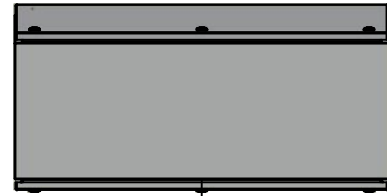
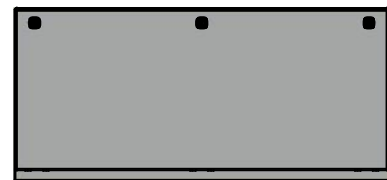


This drawing is confidential and must not be reproduced or used without the consent of EXM

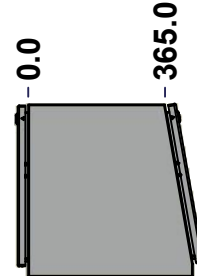
Ce dessin est confidentiel et ne doit pas être reproduit ou utilisé sans le consentement de EXM



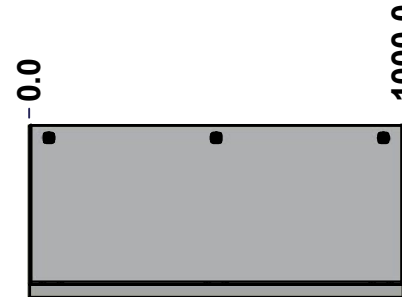
TOP



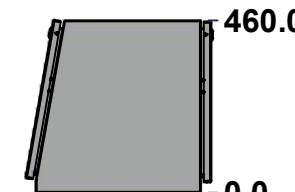
BACK



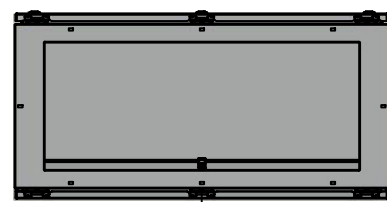
LEFT



FRONT

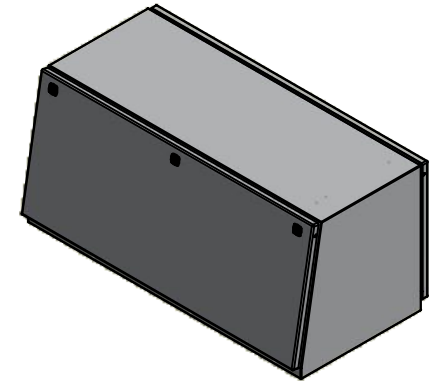


RIGHT




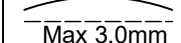
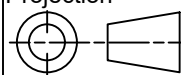
BOTTOM

| No. | Revisions | Date | By/Par |
|-----|-----------|------|--------|
| | | | |
| | | | |
| | | | |
| | | | |



Isometric View



| | | |
|--|---|---|
|  Tél: (450) 979-4373 Fax: (450) 979-4626 www.exmweb.com | | Flatness Aplatissement  Max 3.0mm Projection  |
| Customer Client | Date | |
| Drawn By Dessiné Par | BoxCad: BoxCad | Date 8/7/2015 |
| Material Matière | 14 Ga Cold Rolled A1008 CS Type B (1.7mm) | |
| Color Couleur | Light Grey RAL7035 | Finish Fini Rough Textured |
| Description 6500MTU 460mm x 1000mm x 500mm Assembly | | Detail Rev. |
| Part Number Numéro Pièce | Rev. 0 | 1 / 16 |

SEE BILL OF MATERIAL ON LAST PAGE

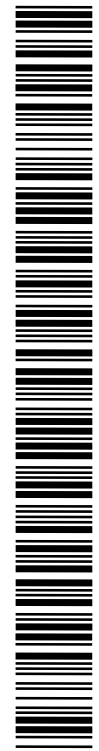
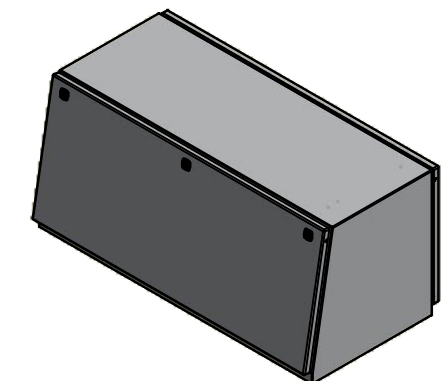
6500MTU1005

This drawing is confidential and must not be reproduced or used without the consent of EXM

Ce dessin est confidentiel et ne doit pas être reproduit ou utilisé sans le consentement de EXM

| NOTE | |
|------|--|
| ITEM | DESCRIPTION |
| 1 | NEMA 12/13 Enclosure |
| 2 | C/W Standard ground studs on box and cover |
| 3 | C/W Standard door stiffener |
| 4 | C/W Special inner panel (Sold separately) |
| 5 | C/W Standard inner panel mounting studs |

| No. | Revisions | Date | By/Par |
|-----|-----------|------|--------|
| | | | |
| | | | |
| | | | |
| | | | |
| | | | |



Isometric View



Tél: (450) 979-4373
 Fax: (450) 979-4626
www.exmweb.com



| | |
|--|----------------|
| Customer Client | Date |
| Drawn By / Dessiné Par: BoxCad: BoxCad | Date: 8/7/2015 |

Material / Matière: 14 Ga Cold Rolled A1008 CS Type B (1.7mm)

| | |
|-------------------------------------|-------------------------------|
| Color / Couleur: Light Grey RAL7035 | Finish / Fini: Rough Textured |
|-------------------------------------|-------------------------------|

Description: 6500MTU 460mm x 1000mm x 500mm Assembly

| | | |
|--|-----------------|---|
| Part Number / Numéro Pièce: 6500MTU1005 | Rev. / Révis: 0 | 2 |
|--|-----------------|---|

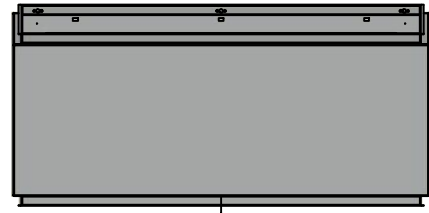
| PACKING | | |
|----------------------|-----|--|
| ITEM | QTY | DESCRIPTION |
| Cardboard corner | 2 | To reinforced for the plastic strap tightening |
| Honeycomb angle | 4 | To protect each corners |
| Plastic strap- Green | 2 | To secure the enclosure to the wood pallet |
| Wood pallet | 1 | Standard wood pallet |
| Flat cardboard | 1 | Between the enclosure and the wood pallet |
| Packaging label | 1 | White label with product number |

| Qty | Part Number | Rev | Description |
|-----|-----------------|-----|--|
| 1 | 6500MTU1005IP | 0 | 6500MTU 460mm x 1000mm Inner Panel Part |
| 8 | STK-Q-05025 | 1 | M5 x 9.5mm Thread Rolling Screw |
| 4 | STK-A-GASSPRING | 0 | Gas Spring 115N/12Kg/26Lbs |
| 1 | 6500MTU1005BD | 0 | 6500MTU 460mm x 1000mm Back Cover |
| 1 | 6500MTU1005FD | 0 | 6500MTU 460mm x 1000mm Front Cover |
| 1 | 6500MTU1005B | 0 | 6500MTU 460mm x 1000mm x 500mm Body |
| 6 | STK-Q-04050-07 | 7 | M6 x 7mm Hexagon Socket Head Machine Screw with Nyseal |
| 8 | STK-Q-08100 | 1 | M5 Nylon Insert Lock Nut |

Parts List

This drawing is confidential and must not be reproduced or used without the consent of EXM

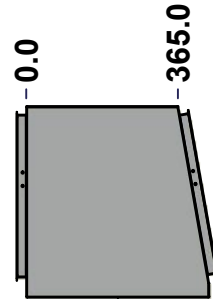
Ce dessin est confidentiel et ne doit pas être reproduit ou utilisé sans le consentement de EXM



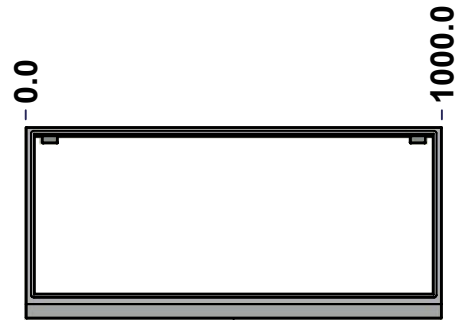
TOP



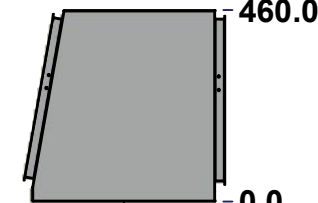
BACK



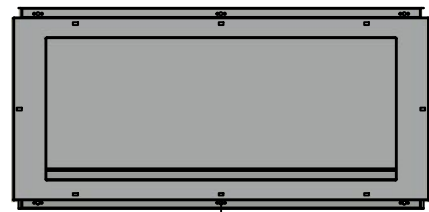
LEFT



FRONT

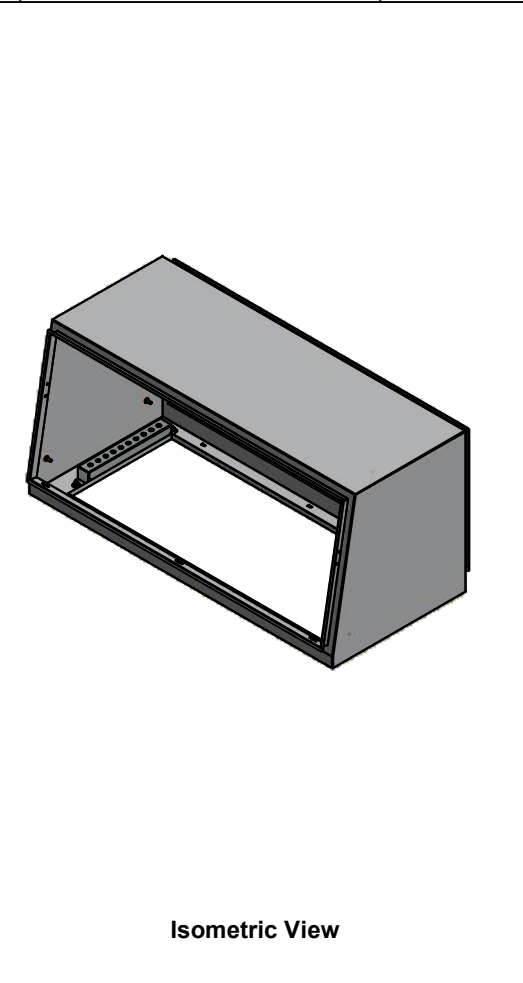


RIGHT



BOTTOM

| No. | Revisions | Date | By/Par |
|-----|-----------|------|--------|
| | | | |
| | | | |
| | | | |
| | | | |



Isometric View



Tél: (450) 979-4373
 Fax: (450) 979-4626
www.exmweb.com

Flatness
Aplatissement

Max 3.0mm

Projection



| | |
|---|-------------------------------|
| Customer Client | Date |
| Drawn By / Dessiné Par: BoxCad: BoxCad | Date: 8/7/2015 |
| Material / Matière: 14 Ga Cold Rolled A1008 CS Type B (1.7mm) | |
| Color / Couleur: Light Grey RAL7035 | Finish / Fini: Rough Textured |
| Description: 6500MTU 460mm x 1000mm x 500mm Body | |
| Part Number / Numéro Pièce: 6500MTU1005B | Detail Rev. / Rev.: 3 |
| | |

SEE BILL OF MATERIAL ON LAST PAGE

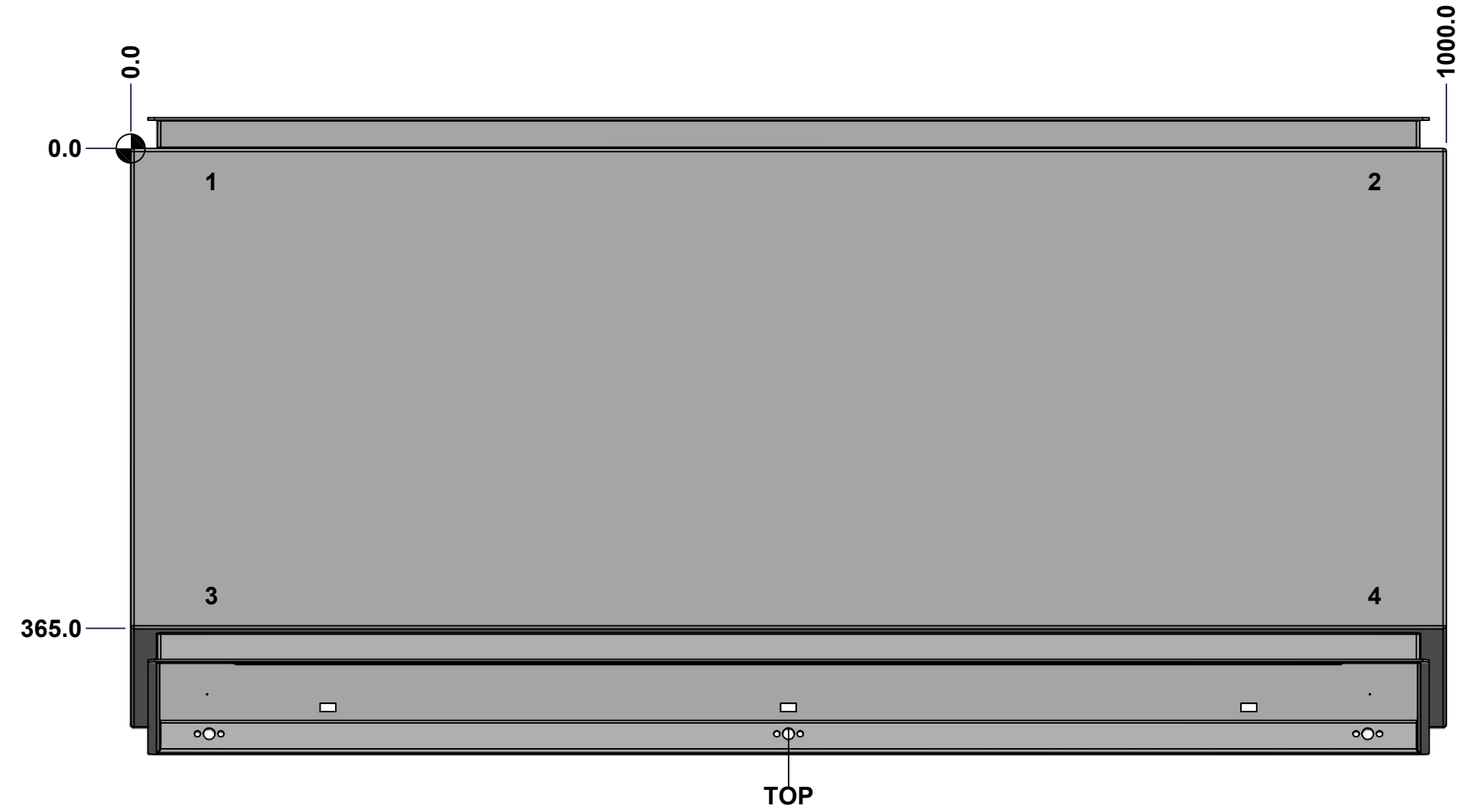
This drawing is confidential and must not be reproduced or used without the consent of EXM

Ce dessin est confidentiel et ne doit pas être reproduit ou utilisé sans le consentement de EXM

STANDARD FEATURES ARE NOT LISTED IN THIS HOLE TABLE

HOLE TABLE - TOP VIEW (CUSTOM FEATURE ONLY)

| CUT-OUT | XDIM | YDIM | DESCRIPTION |
|---------|-------|-------|-------------------------|
| 1 | 58.0 | 25.0 | STUD M6 x 18mm (Inside) |
| 2 | 942.0 | 25.0 | STUD M6 x 18mm (Inside) |
| 3 | 58.0 | 340.0 | STUD M6 x 18mm (Inside) |
| 4 | 942.0 | 340.0 | STUD M6 x 18mm (Inside) |

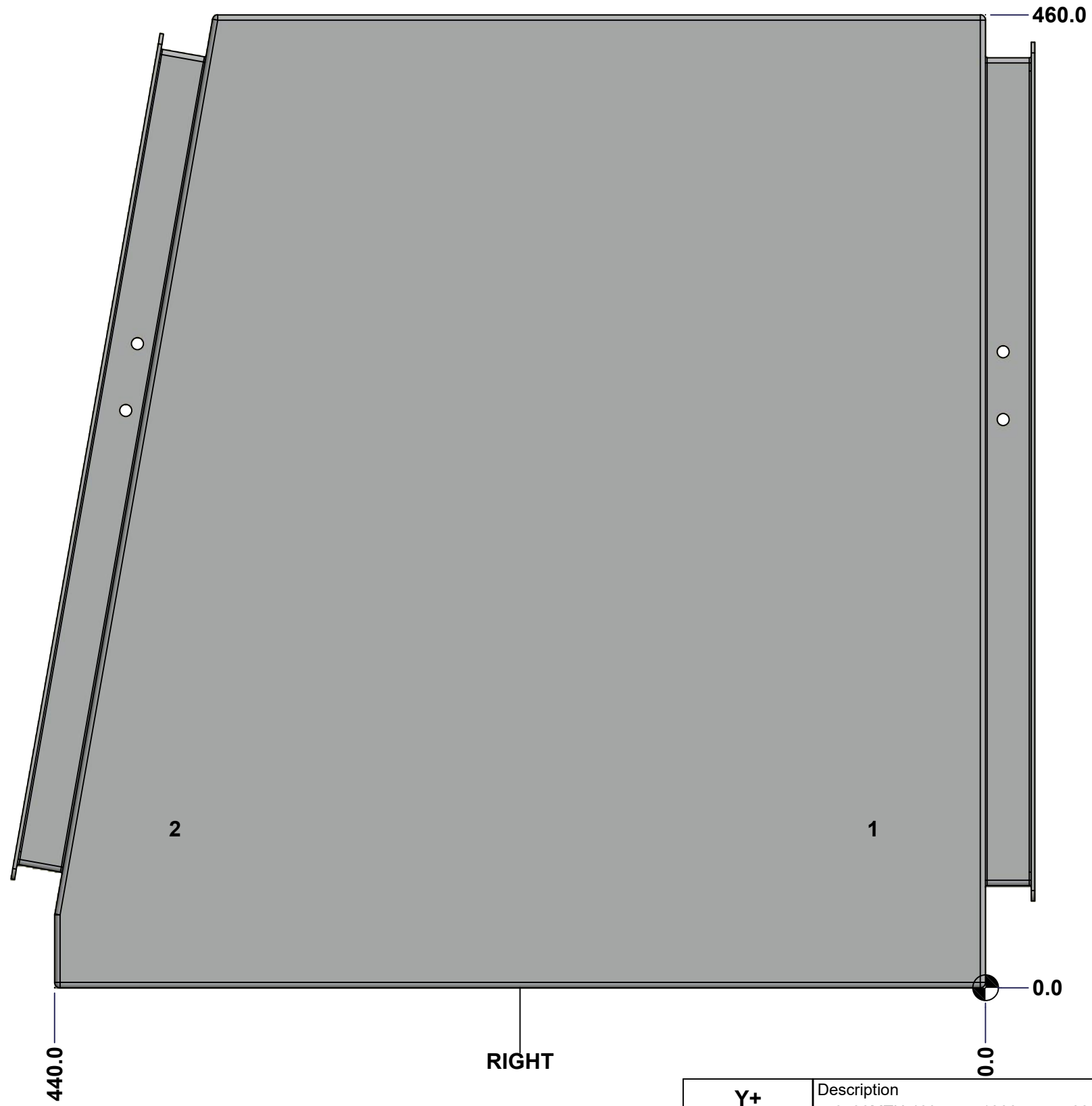


| | | | | |
|--|---|--|------------------|---------|
| | Description 6500MTU 460mm x 1000mm x 500mm Body | | Status (NULL) | |
| | Part Number Numéro Pièce 6500MTU1005B | | Rev. 0 | 4 16 |

This drawing is confidential and must not be reproduced or used without the consent of EXM

Ce dessin est confidentiel et ne doit pas être reproduit ou utilisé sans le consentement de EXM

| STANDARD FEATURES ARE NOT LISTED IN THIS HOLE TABLE | | | |
|---|-------|------|-----------------------------|
| HOLE TABLE - RIGHT VIEW (CUSTOM FEATURE ONLY) | | | |
| CUT-OUT | XDIM | YDIM | DESCRIPTION |
| 1 | 55.0 | 75.0 | GND STUD M6 x 16mm (Inside) |
| 2 | 385.0 | 75.0 | GND STUD M6 x 16mm (Inside) |



| | | |
|--|---|-------------------------|
| | Description 6500MTU 460mm x 1000mm x 500mm Body | Status (NULL) |
| | Part Number Numéro Pièce 6500MTU1005B | Rev. 5 0 / 16 |

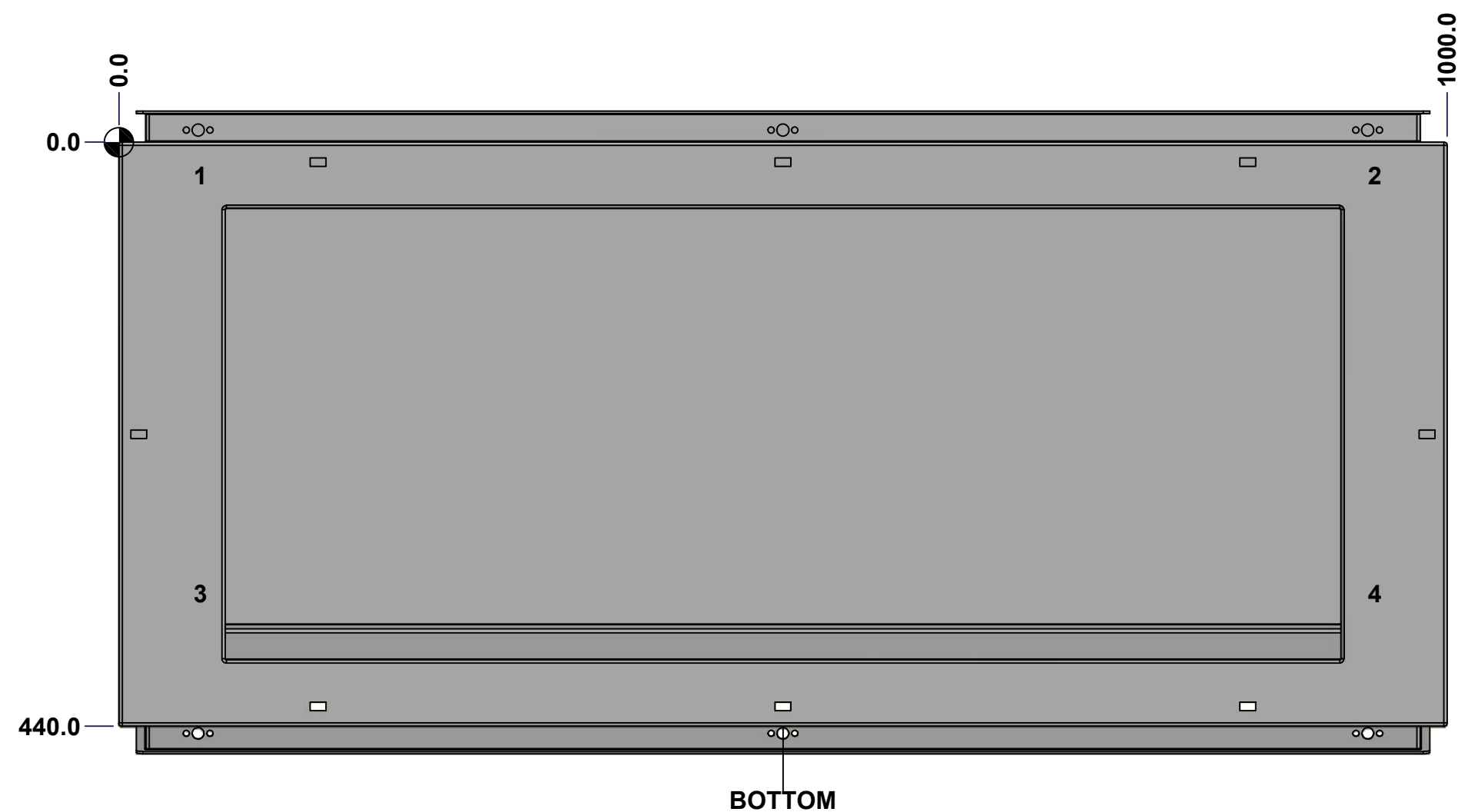
This drawing is confidential and must not be reproduced or used without the consent of EXM

Ce dessin est confidentiel et ne doit pas être reproduit ou utilisé sans le consentement de EXM

STANDARD FEATURES ARE NOT LISTED IN THIS HOLE TABLE

HOLE TABLE - BOTTOM VIEW (CUSTOM FEATURE ONLY)

| CUT-OUT | XDIM | YDIM | DESCRIPTION |
|---------|-------|-------|-------------------------|
| 1 | 58.0 | 25.0 | STUD M6 x 18mm (Inside) |
| 2 | 942.0 | 25.0 | STUD M6 x 18mm (Inside) |
| 3 | 58.0 | 340.0 | STUD M6 x 18mm (Inside) |
| 4 | 942.0 | 340.0 | STUD M6 x 18mm (Inside) |

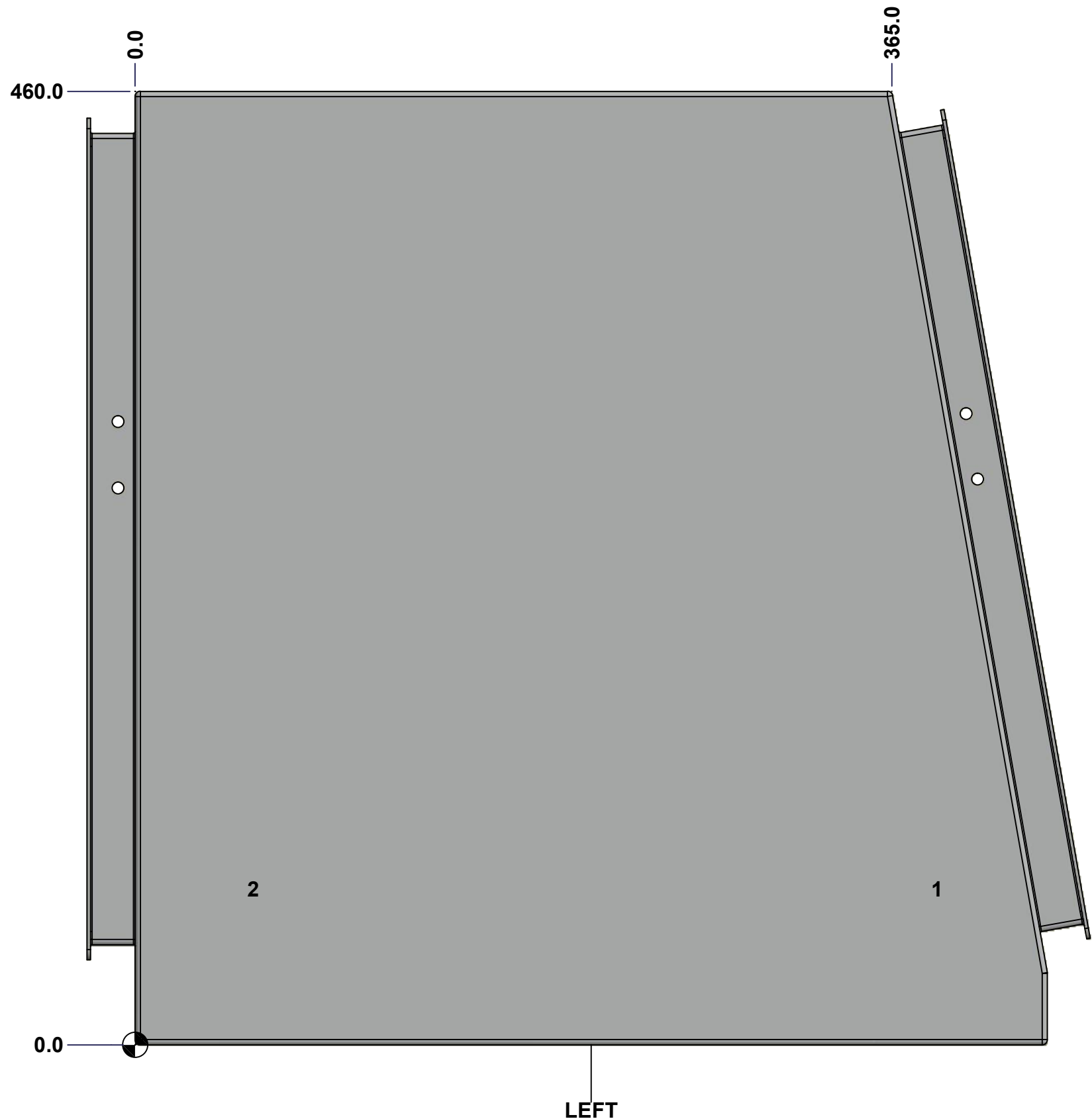


| | | |
|--|---|-------------------------|
| | Description 6500MTU 460mm x 1000mm x 500mm Body | Status (NULL) |
| | Part Number Numéro Pièce 6500MTU1005B | Rev. 6 0 / 16 |

This drawing is confidential and must not be reproduced or used without the consent of EXM

Ce dessin est confidentiel et ne doit pas être reproduit ou utilisé sans le consentement de EXM

| STANDARD FEATURES ARE NOT LISTED IN THIS HOLE TABLE | | | |
|---|-------|------|-----------------------------|
| HOLE TABLE - LEFT VIEW (CUSTOM FEATURE ONLY) | | | |
| CUT-OUT | XDIM | YDIM | DESCRIPTION |
| 1 | 385.0 | 75.0 | GND STUD M6 x 16mm (Inside) |
| 2 | 55.0 | 75.0 | GND STUD M6 x 16mm (Inside) |

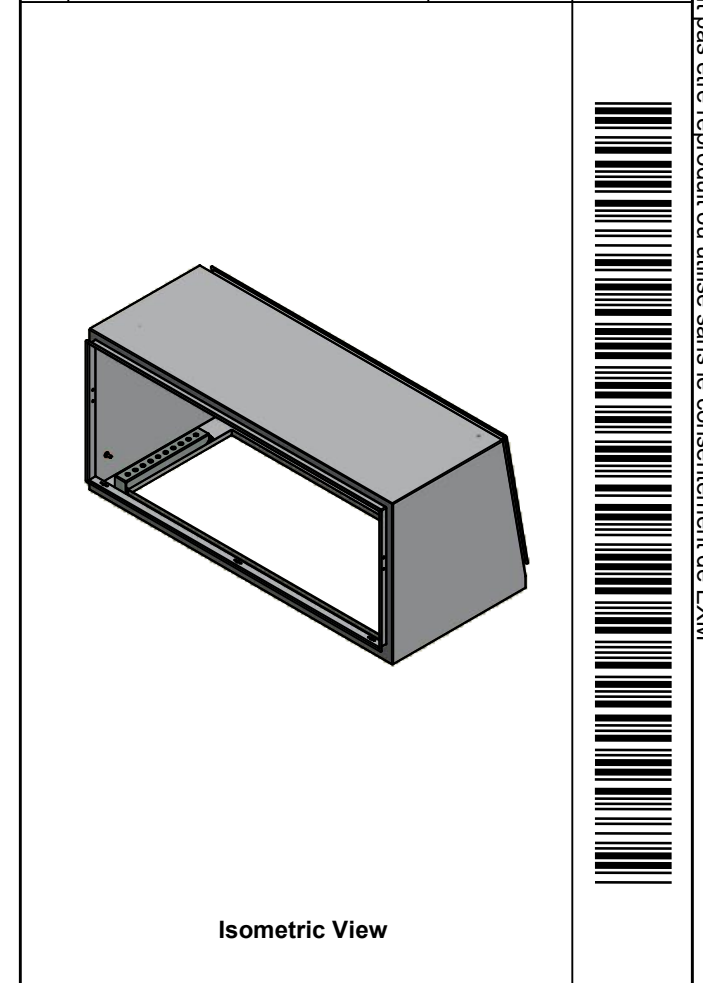


| | | | |
|--|---|--|-------------------------|
| | Description 6500MTU 460mm x 1000mm x 500mm Body | | Status (NULL) |
| | Part Number Numéro Pièce 6500MTU1005B | | Rev. 7 0 / 16 |

This drawing is confidential and must not be reproduced or used without the consent of EXM

Ce dessin est confidentiel et ne doit pas être reproduit ou utilisé sans le consentement de EXM

| No. | Revisions | Date | By/Par |
|-----|-----------|------|--------|
| | | | |
| | | | |
| | | | |
| | | | |
| | | | |



EXM
www.exm.com

Tél: (450) 979-4373
Fax: (450) 979-4626
www.exmweb.com

Flatness
Aplatissement
Max 3.0mm

Projection

| | |
|--|----------------|
| Customer Client | Date |
| Drawn By / Dessiné Par: BoxCad: BoxCad | Date: 8/7/2015 |

| | |
|--------------------|---|
| Material / Matière | 14 Ga Cold Rolled A1008 CS Type B (1.7mm) |
|--------------------|---|

| | | | |
|-----------------|--------------------|---------------|----------------|
| Color / Couleur | Light Grey RAL7035 | Finish / Fini | Rough Textured |
|-----------------|--------------------|---------------|----------------|

| | | |
|-------------|-------------------------------------|-------------|
| Description | 6500MTU 460mm x 1000mm x 500mm Body | Detail Rev. |
|-------------|-------------------------------------|-------------|

| | | | |
|----------------------------|---------------------|----------|----|
| Part Number / Numéro Pièce | 6500MTU1005B | Rev. | 8 |
| | | 0 | 16 |

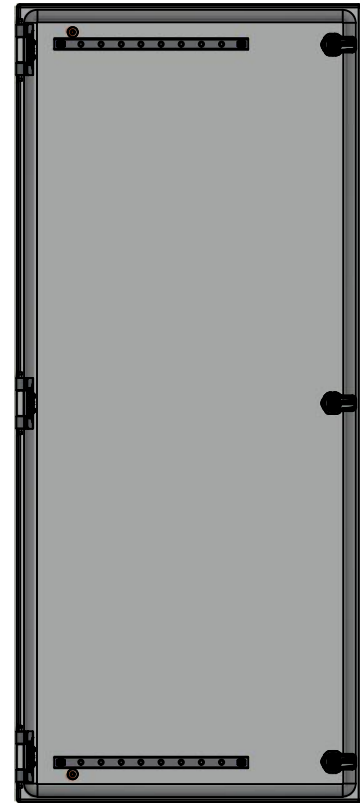
| Qty | Part Number | Rev | Description |
|------------|-----------------|-----|--|
| 4 | STK-Q-16080 | 0 | Ground Stud M6 x 16mm |
| 1 | STK-P-03820R | 0 | Powder Paint (Light Grey / Rough Textured) |
| 4 | STK-Q-49090-275 | 2 | Mounting Rail 275.0mm |
| 8 | STK-Q-16031 | 0 | M6 x 10mm Stud (No Paint Cap Required) |
| 1 | 6500MTU1005B-P | 0 | 6500MTU 460mm x 1000mm x 500mm Body Part |
| 8 | STK-Q-07220 | 1 | M6 Nylon Insert Lock Nut |
| Parts List | | | |

This drawing is confidential and must not be reproduced or used without the consent of EXM

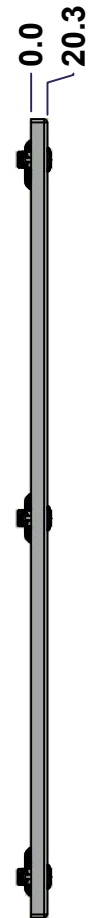
Ce dessin est confidentiel et ne doit pas être reproduit ou utilisé sans le consentement de EXM



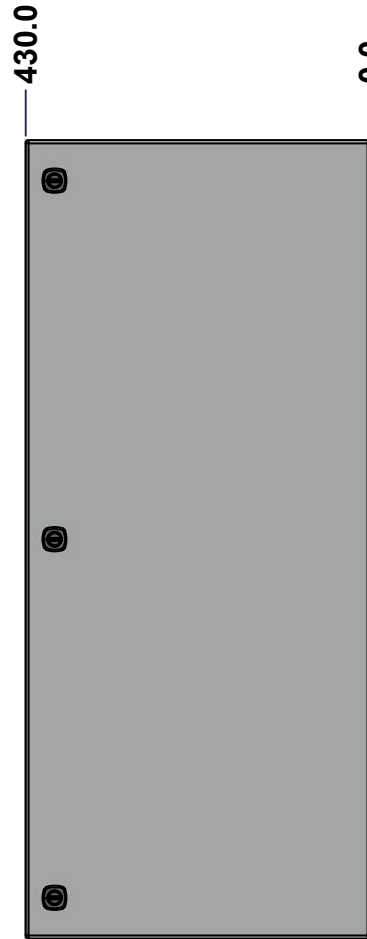
TOP



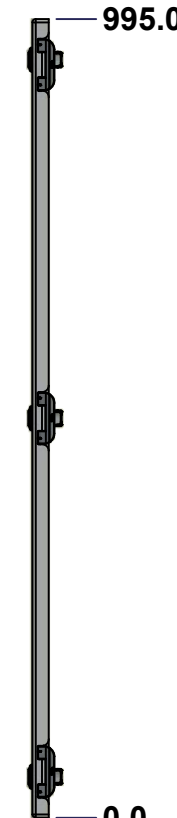
BACK



LEFT



FRONT

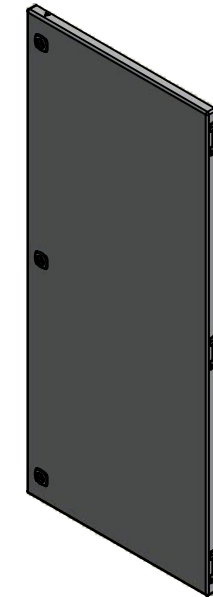


RIGHT




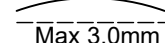
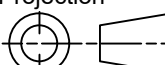
BOTTOM

| No. | Revisions | Date | By/Par |
|-----|-----------|------|--------|
| | | | |
| | | | |
| | | | |
| | | | |



Isometric View



| | | |
|--|---|--|
|  Tél: (450) 979-4373 Fax: (450) 979-4626 www.exmweb.com | | Flatness Aplatissement  Max 3.0mm Projection  |
| Customer Client | Date | |
| Drawn By Dessiné Par | BoxCad: BoxCad | Date 8/7/2015 |
| Material Matière | 14 Ga Cold Rolled A1008 CS Type B (1.7mm) | |
| Color Couleur | Light Grey RAL7035 | Finish Fini Rough Textured |
| Description | | Detail Rev. |
| 6500MTU 460mm x 1000mm Front Cover | | |
| Part Number Numéro Pièce | Rev. | 9 |
| 6500MTU1005FD | 0 | 16 |

SEE BILL OF MATERIAL ON LAST PAGE

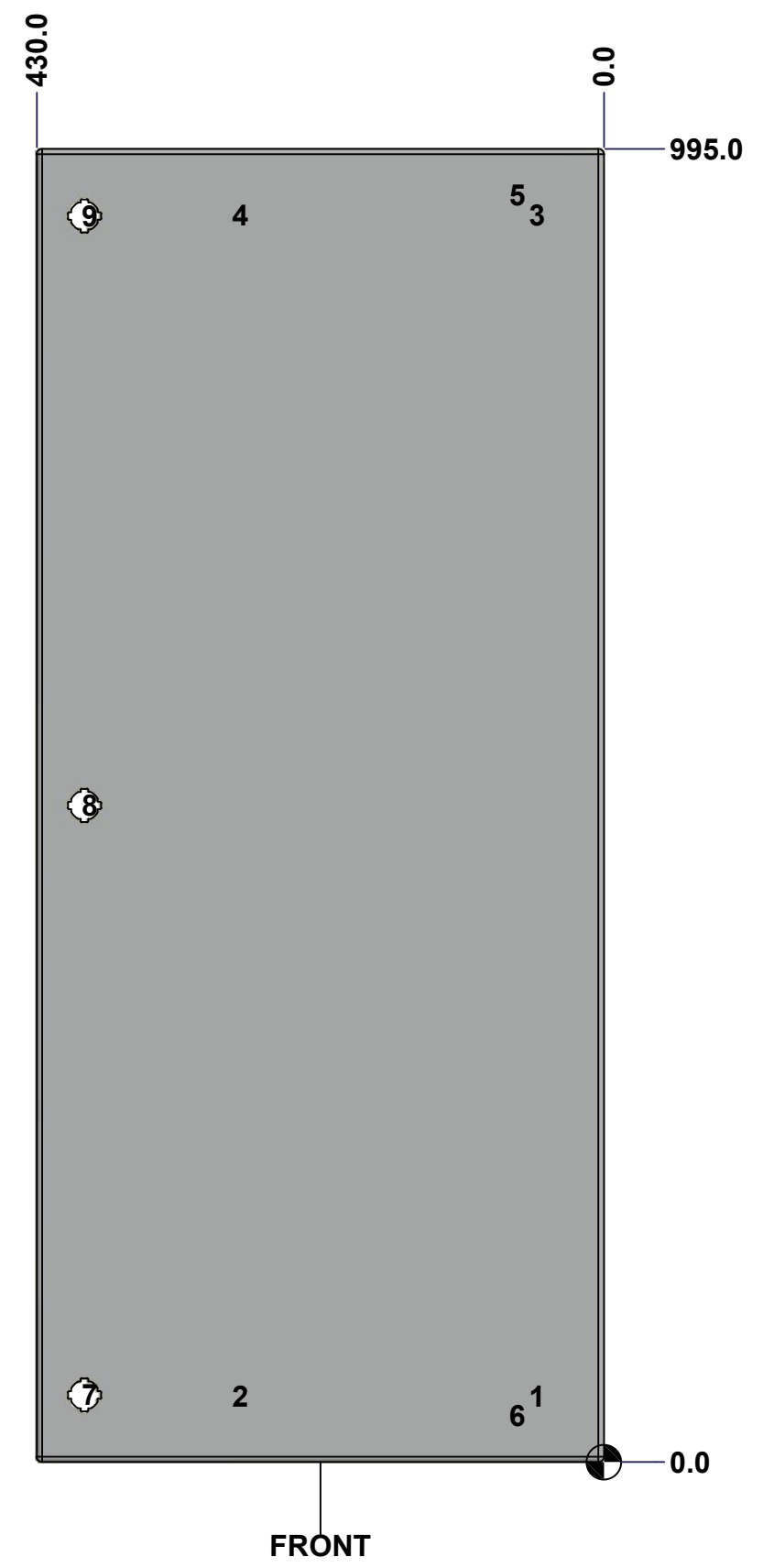
This drawing is confidential and must not be reproduced or used without the consent of EXM

Ce dessin est confidentiel et ne doit pas être reproduit ou utilisé sans le consentement de EXM

STANDARD FEATURES ARE NOT LISTED IN THIS HOLE TABLE

HOLE TABLE - FRONT VIEW (CUSTOM FEATURE ONLY)

| CUT-OUT | XDIM | YDIM | DESCRIPTION |
|---------|-------|-------|-----------------------------|
| 1 | 55.0 | 50.0 | STUD M6 x 18mm (Inside) |
| 2 | 280.0 | 50.0 | STUD M6 x 18mm (Inside) |
| 3 | 55.0 | 945.0 | STUD M6 x 18mm (Inside) |
| 4 | 280.0 | 945.0 | STUD M6 x 18mm (Inside) |
| ----- | | | |
| 5 | 70.0 | 960.0 | GND STUD M6 x 16mm (Inside) |
| 6 | 70.0 | 35.0 | GND STUD M6 x 16mm (Inside) |
| 7 | 393.8 | 50.8 | LOCK 880 SCQ4-SL @ 90.0° |
| 8 | 393.8 | 497.5 | LOCK 880 SCQ4-SL @ 90.0° |
| 9 | 393.8 | 944.2 | LOCK 880 SCQ4-SL @ 90.0° |

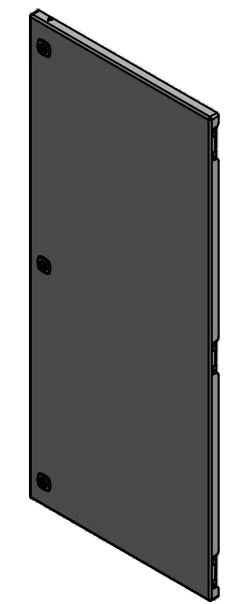


| | | |
|--|---|---------------------|
| | Description 6500MTU 460mm x 1000mm Front Cover | Status (NULL) |
| | Part Number Numéro Pièce 6500MTU1005FD | Rev. 10 0 |

This drawing is confidential and must not be reproduced or used without the consent of EXM

Ce dessin est confidentiel et ne doit pas être reproduit ou utilisé sans le consentement de EXM

| No. | Revisions | Date | By/Par |
|-----|-----------|------|--------|
| | | | |
| | | | |
| | | | |
| | | | |
| | | | |



Isometric View




 Tél: (450) 979-4373
 Fax: (450) 979-4626
www.exmweb.com

Flatness / Aplatissement: Max 3.0mm
 Projection: 

| | |
|---|----------------|
| Customer Client | Date |
| Drawn By / Dessiné Par: BoxCad: BoxCad | Date: 8/7/2015 |
| Material / Matière: 14 Ga Cold Rolled A1008 CS Type B (1.7mm) | |

| | |
|---|-------------------------------|
| Color / Couleur: Light Grey RAL7035 | Finish / Fini: Rough Textured |
| Description: 6500MTU 460mm x 1000mm Front Cover | |
| Detail Rev. | |

| Qty | Part Number | Rev | Description |
|------------|-----------------|-----|--|
| 2 | STK-Q-16080 | 0 | Ground Stud M6 x 16mm |
| 2 | STK-Q-46020-12 | 5 | 5412 ES Vertical Door Stiffener 12" |
| 1 | STK-P-03820R | 0 | Powder Paint (Light Grey / Rough Textured) |
| 4 | STK-Q-16055 | 1 | M6 x 18mm Stud (No Paint Cap Required) |
| 1 | 6500MTU1005FD-P | 0 | 6500MTU 460mm x 1000mm Front Cover Part |
| 1 | 6500MTU1005FD-G | 0 | 6500MTU 460mm x 1000mm Front Cover Gasket |
| 3 | STK-K-09800 | 10 | 5412 ES Hinge with 2 Captive Hinge Pins |
| 4 | STK-Q-07220 | 1 | M6 Nylon Insert Lock Nut |
| 3 | 880 SCQ4-SL | 6 | 5412 ES 1/4 Turn Lock |
| Qty | Part Number | Rev | Description |
| Parts List | | | |

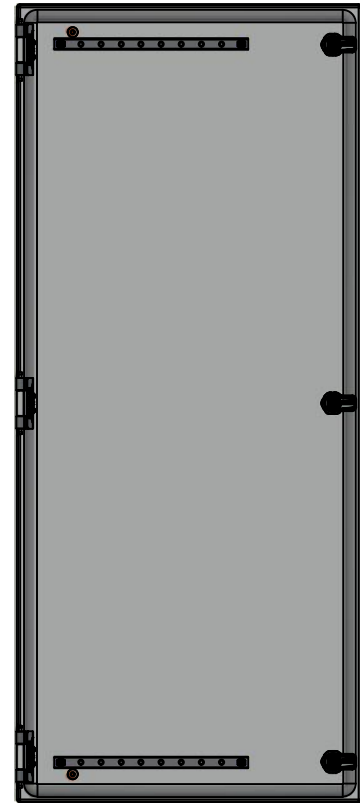
| | | |
|--|------------------------|---------|
| Part Number / Numéro Pièce: 6500MTU1005FD | Rev. / Révis: 0 | 11 / 16 |
|--|------------------------|---------|

This drawing is confidential and must not be reproduced or used without the consent of EXM

Ce dessin est confidentiel et ne doit pas être reproduit ou utilisé sans le consentement de EXM



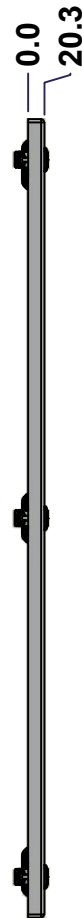
TOP



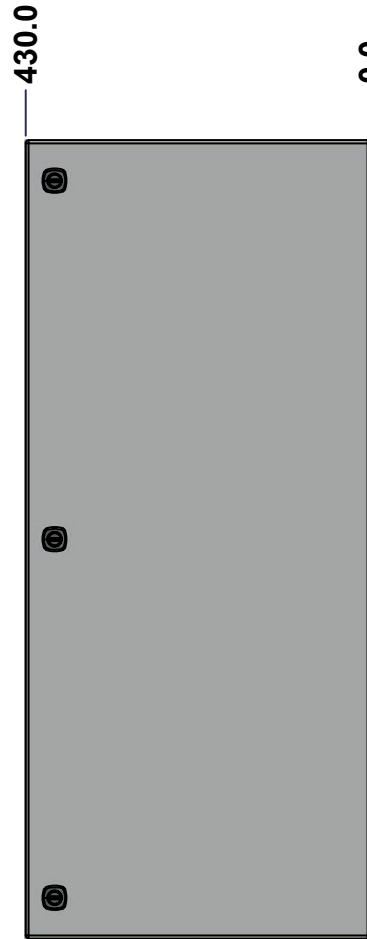
BACK



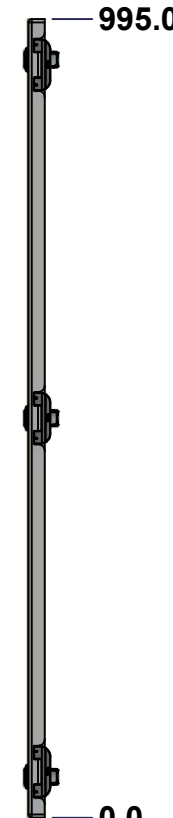
BOTTOM



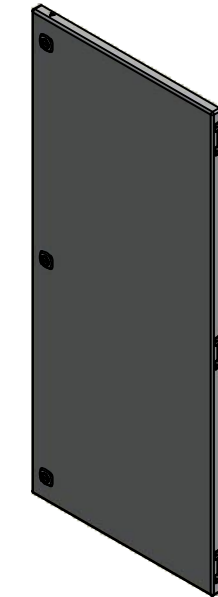
LEFT



FRONT




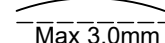
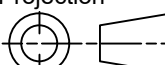
RIGHT



Isometric View



| No. | Revisions | Date | By/Par |
|-----|-----------|------|--------|
| | | | |
| | | | |
| | | | |
| | | | |

| | | |
|--|---|--|
|  Tél: (450) 979-4373 Fax: (450) 979-4626 www.exmweb.com | | Flatness Aplatissement  Max 3.0mm Projection  |
| Customer Client | Date | |
| Drawn By Dessiné Par | BoxCad: BoxCad | Date 8/7/2015 |
| Material Matière | 14 Ga Cold Rolled A1008 CS Type B (1.7mm) | |
| Color Couleur | Light Grey RAL7035 | Finish Fini Rough Textured |
| Description 6500MTU 460mm x 1000mm Back Cover | | Detail Rev. |
| Part Number Numéro Pièce | Rev. 0 | 12 / 16 |

SEE BILL OF MATERIAL ON LAST PAGE

6500MTU1005BD

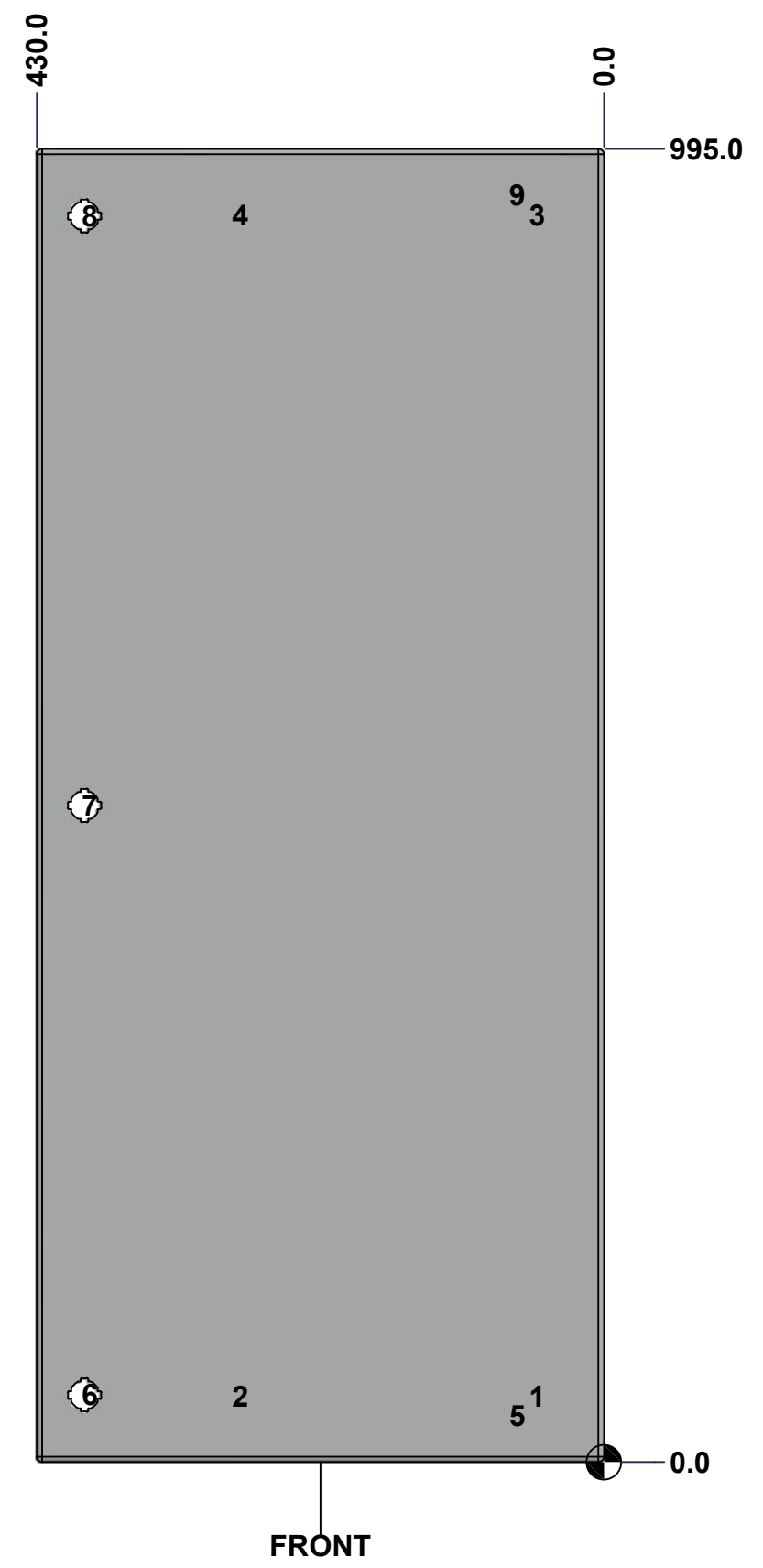
This drawing is confidential and must not be reproduced or used without the consent of EXM

Ce dessin est confidentiel et ne doit pas être reproduit ou utilisé sans le consentement de EXM

STANDARD FEATURES ARE NOT LISTED IN THIS HOLE TABLE

HOLE TABLE - FRONT VIEW (CUSTOM FEATURE ONLY)

| CUT-OUT | XDIM | YDIM | DESCRIPTION |
|---------|-------|-------|-----------------------------|
| 1 | 55.0 | 50.0 | STUD M6 x 18mm (Inside) |
| 2 | 280.0 | 50.0 | STUD M6 x 18mm (Inside) |
| 3 | 55.0 | 945.0 | STUD M6 x 18mm (Inside) |
| 4 | 280.0 | 945.0 | STUD M6 x 18mm (Inside) |
| ----- | | | |
| 5 | 70.0 | 35.0 | GND STUD M6 x 16mm (Inside) |
| 6 | 393.8 | 50.8 | LOCK 880 SCQ4-SL @ 90.0° |
| 7 | 393.8 | 497.5 | LOCK 880 SCQ4-SL @ 90.0° |
| 8 | 393.8 | 944.2 | LOCK 880 SCQ4-SL @ 90.0° |
| 9 | 70.0 | 960.0 | GND STUD M6 x 16mm (Inside) |



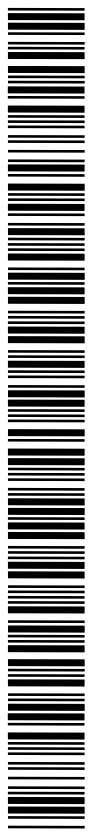
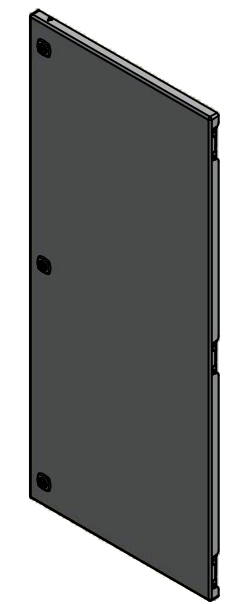
FRONT

| | | |
|--|-----------------------------------|----------|
| | Description | Status |
| | 6500MTU 460mm x 1000mm Back Cover | (NULL) |
| | Part Number Numéro Pièce | Rev. |
| | 6500MTU1005BD | 0 |
| | | 13 |
| | | 16 |

This drawing is confidential and must not be reproduced or used without the consent of EXM

Ce dessin est confidentiel et ne doit pas être reproduit ou utilisé sans le consentement de EXM

| No. | Revisions | Date | By/Par |
|-----|-----------|------|--------|
| | | | |
| | | | |
| | | | |
| | | | |
| | | | |



Isometric View



Tél: (450) 979-4373
 Fax: (450) 979-4626
www.exmweb.com

Flatness
Aplatissement
Max 3.0mm
Projection

| | |
|---|---------------|
| Customer Client | Date |
| Drawn By Dessiné Par BoxCad: BoxCad | Date 8/7/2015 |
| Material Matière 14 Ga Cold Rolled A1008 CS Type B (1.7mm) | |

| | |
|-------------------------------------|-------------------------------|
| Color Couleur Light Grey RAL7035 | Finish Fini Rough Textured |
|-------------------------------------|-------------------------------|

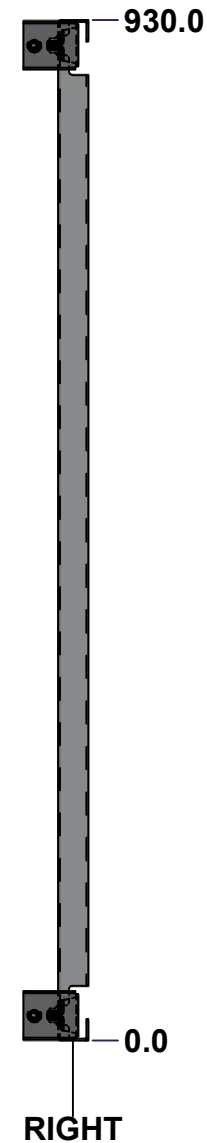
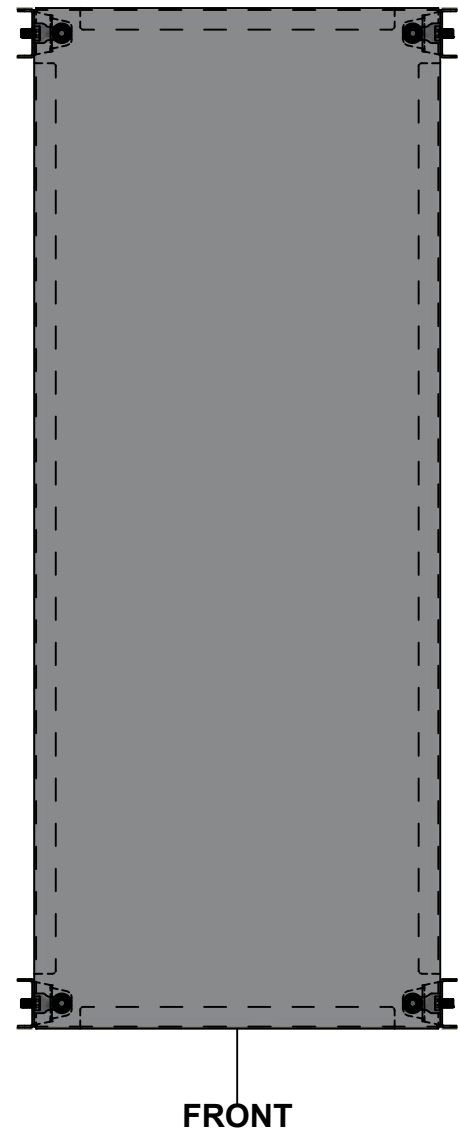
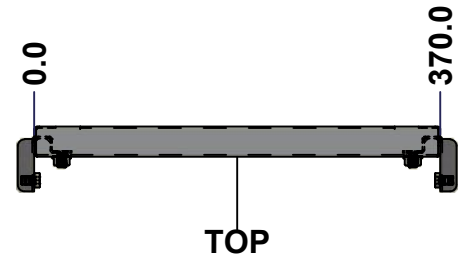
| | |
|--|-------------|
| Description 6500MTU 460mm x 1000mm Back Cover | Detail Rev. |
|--|-------------|

| | | |
|---|---------------|----------|
| Part Number Numéro Pièce 6500MTU1005BD | Rev. 0 | 14 16 |
|---|---------------|----------|

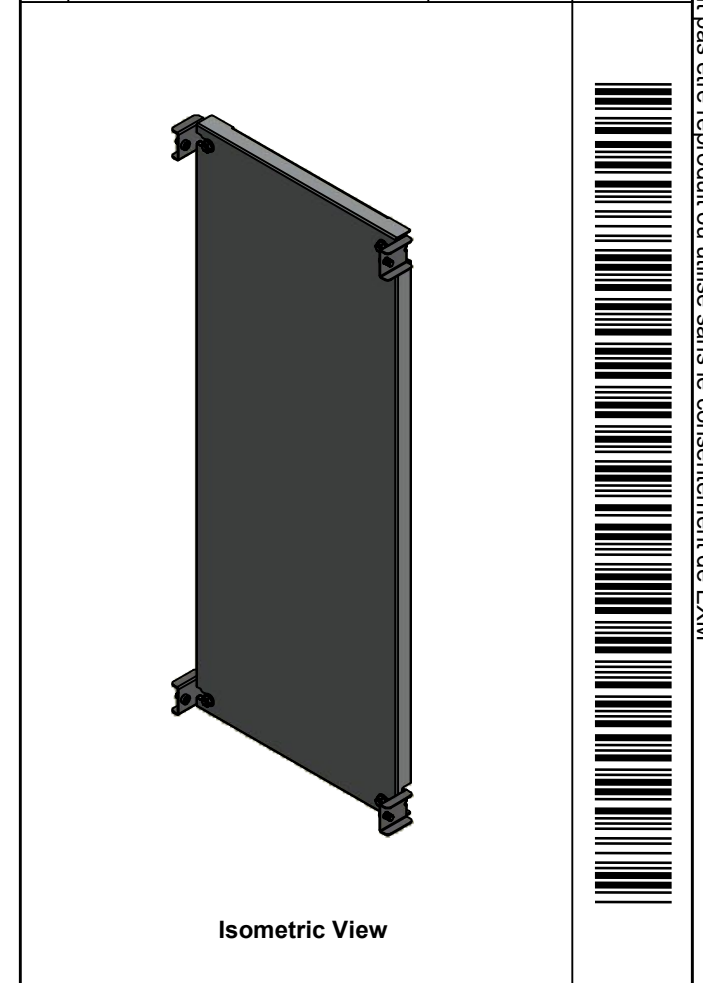
| Qty | Part Number | Rev | Description |
|------------|-----------------|-----|--|
| 2 | STK-Q-16080 | 0 | Ground Stud M6 x 16mm |
| 2 | STK-Q-46020-12 | 5 | 5412 ES Vertical Door Stiffener 12" |
| 1 | STK-P-03820R | 0 | Powder Paint (Light Grey / Rough Textured) |
| 4 | STK-Q-16055 | 1 | M6 x 18mm Stud (No Paint Cap Required) |
| 1 | 6500MTU1005BD-P | 0 | 6500MTU 460mm x 1000mm Back Cover Part |
| 1 | 6500MTU1005BD-G | 0 | 6500MTU 460mm x 1000mm Back Cover Gasket |
| 3 | STK-K-09800 | 10 | 5412 ES Hinge with 2 Captive Hinge Pins |
| 4 | STK-Q-07220 | 1 | M6 Nylon Insert Lock Nut |
| 3 | 880 SCQ4-SL | 6 | 5412 ES 1/4 Turn Lock |
| Parts List | | | |


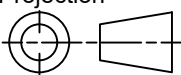
This drawing is confidential and must not be reproduced or used without the consent of EXM

Ce dessin est confidentiel et ne doit pas être reproduit ou utilisé sans le consentement de EXM



| No. | Revisions | Date | By/Par |
|-----|-----------|------|--------|
| | | | |
| | | | |
| | | | |
| | | | |



| | | |
|--|------------------|---|
|  Tél: (450) 979-4373 Fax: (450) 979-4626 www.exmweb.com | | Flatness Aplatissement Max 3.0mm Projection  |
| Customer Client | Date | |
| Drawn By Dessiné Par | BoxCad: BoxCad | Date 8/7/2015 |
| Material Matière | 14 Ga Galvanized | |
| Color Couleur | Unpainted | Finish Fini Rough Textured |
| Description | Detail Rev. | |
| 6500MTU 460mm x 1000mm Inner Panel Part | | |
| Part Number Numéro Pièce | Rev. | 15 |
| 6500MTU1005IP | 0 | 16 |

SEE BILL OF MATERIAL ON LAST PAGE

This drawing is confidential and must not be reproduced or used without the consent of EXM


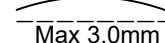
Ce dessin est confidentiel et ne doit pas être reproduit ou utilisé sans le consentement de EXM

| No. | Revisions | Date | By/Par |
|-----|-----------|------|--------|
| | | | |
| | | | |
| | | | |
| | | | |
| | | | |



Isometric View



| | | |
|--|-------------------------------|---|
|  Tél: (450) 979-4373 Fax: (450) 979-4626 www.exmweb.com | | Flatness Aplatissement  Max 3.0mm |
| Customer Client | | Date |
| Drawn By / Dessiné Par: BoxCad: BoxCad | | Date: 8/7/2015 |
| Material / Matière: 14 Ga Galvanized | | |
| Color / Couleur: Unpainted | Finish / Fini: Rough Textured | |
| Description: 6500MTU 460mm x 1000mm Inner Panel Part | | Detail Rev. |
| Part Number / Numéro Pièce: 6500MTU1005IP | | Rev. 0 / 16 |

| Qty | Part Number | Rev | Description |
|------------|-----------------|-----|---|
| 4 | STK-Q-00700 | 2 | M8 x 12mm Hex Socket Cap Screw (DIN 6912) |
| 4 | STK-Q-07310 | 2 | Flange Lock Nut M8 |
| 1 | 6500MTU1005IP-P | 0 | 6500MTU 460mm x 1000mm Inner Panel Part |
| 4 | STK-Q-07640 | 0 | 6500 MTU Inner Panel Support Bracket |
| Parts List | | | |