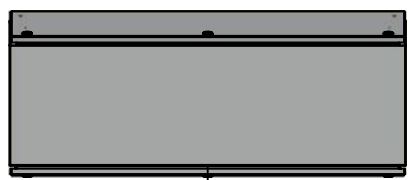
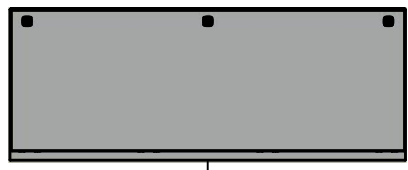


This drawing is confidential and must not be reproduced or used without the consent of EXM

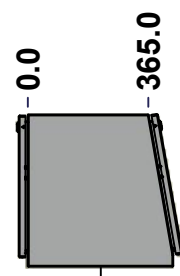
Ce dessin est confidentiel et ne doit pas être reproduit ou utilisé sans le consentement de EXM



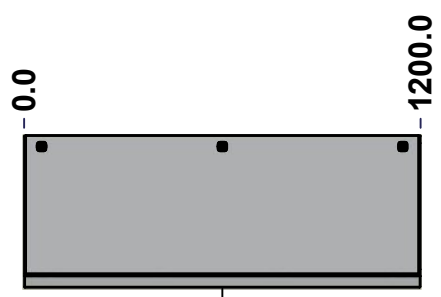
TOP



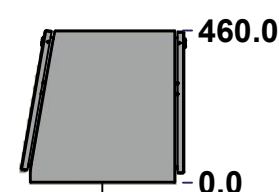
BACK



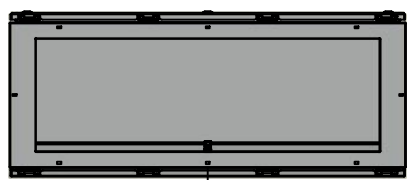
LEFT



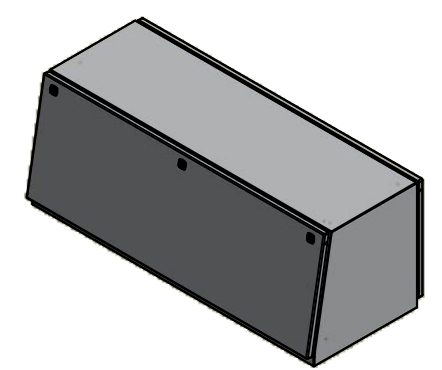
FRONT



RIGHT




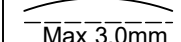
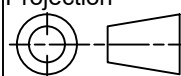
BOTTOM



Isometric View



No.	Revisions	Date	By/Par

 Tél: (450) 979-4373 Fax: (450) 979-4626 <a href="http://www.exmweb.com">www.exmweb.com</a>		Flatness Aplatissement  Max 3.0mm Projection 
Customer Client	Date	
Drawn By Dessiné Par	BoxCad: BoxCad	Date 7/15/2021
Material Matière	14 Ga Cold Rolled A1008 CS Type B (1.7mm)	
Color Couleur	Light Grey RAL7035	Finish Fini Rough Textured
Description 6500MTU 460mm x 1200mm x 500mm Assembly		Detail Rev.
Part Number Numéro Pièce	6500MTU1205	Rev. 1 0

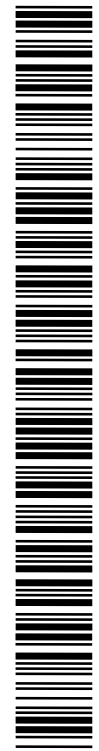
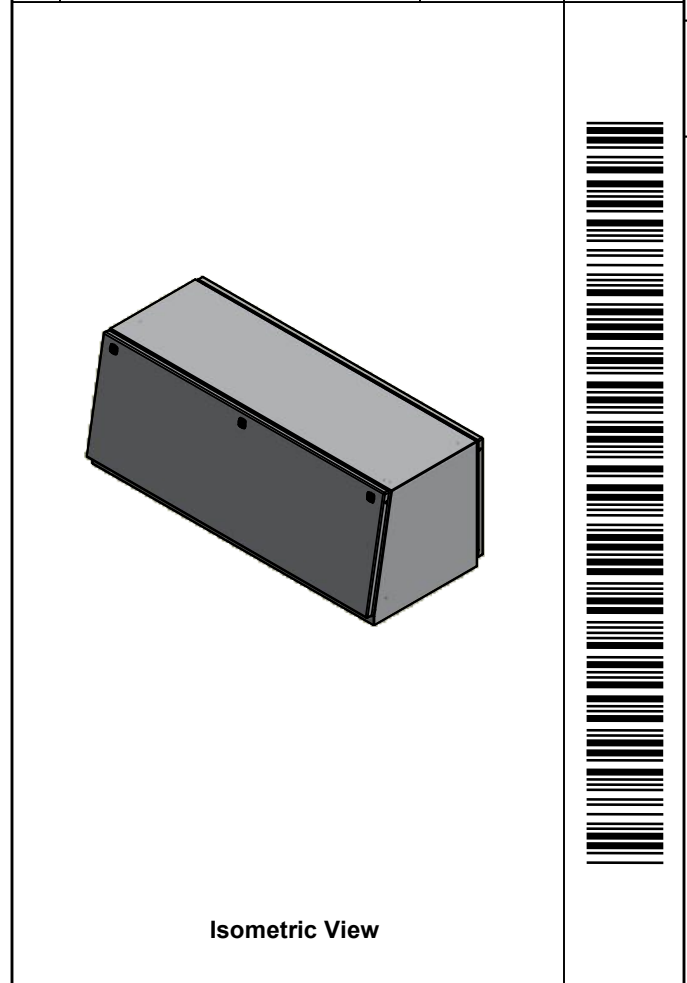
SEE BILL OF MATERIAL ON LAST PAGE


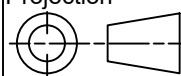
This drawing is confidential and must not be reproduced or used without the consent of EXM

Ce dessin est confidentiel et ne doit pas être reproduit ou utilisé sans le consentement de EXM

NOTE	
ITEM	DESCRIPTION
1	NEMA 12/13 Enclosure
2	C/W Standard ground studs on box and cover
3	C/W Standard door stiffener
4	C/W Special inner panel (Sold separately)
5	C/W Standard inner panel mounting studs

No.	Revisions	Date	By/Par



 Tél: (450) 979-4373 Fax: (450) 979-4626 <a href="http://www.exmweb.com">www.exmweb.com</a>	Flatness Aplatissement Max 3.0mm
	Projection 
Customer Client	Date
Drawn By Dessiné Par BoxCad: BoxCad	Date 7/15/2021

PACKING		
ITEM	QTY	DESCRIPTION
Cardboard corner	2	To reinforced for the plastic strap tightening
Honeycomb angle	4	To protect each corners
Plastic strap- Green	2	To secure the enclosure to the wood pallet
Wood pallet	1	Standard wood pallet
Flat cardboard	1	Between the enclosure and the wood pallet
Packaging label	1	White label with product number

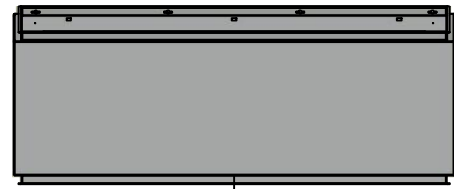
Qty	Part Number	Rev	Description
1	6500MTU1205IP	0	6500MTU 460mm x 1200mm Inner Panel Part
8	STK-Q-05025	1	M5 x 9.5mm Thread Rolling Screw
4	STK-A-GASSPRING	0	Gas Spring 115N/12Kg/26Lbs
1	6500MTU1205BD	0	6500MTU 460mm x 1200mm Back Cover
1	6500MTU1205FD	0	6500MTU 460mm x 1200mm Front Cover
1	6500MTU1205B	0	6500MTU 460mm x 1200mm x 500mm Body
8	STK-Q-04050-07	7	M6 x 7mm Hexagon Socket Head Machine Screw with Nyseal
8	STK-Q-08100	1	M5 Nylon Insert Lock Nut

Parts List

Material Matière	14 Ga Cold Rolled A1008 CS Type B (1.7mm)
Color Couleur	Light Grey RAL7035
Finish Fini	Rough Textured
Description	6500MTU 460mm x 1200mm x 500mm Assembly
Part Number Numéro Pièce	<b>6500MTU1205</b>
Rev.	2
	0
	16

This drawing is confidential and must not be reproduced or used without the consent of EXM

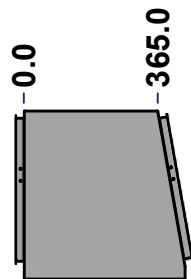
Ce dessin est confidentiel et ne doit pas être reproduit ou utilisé sans le consentement de EXM



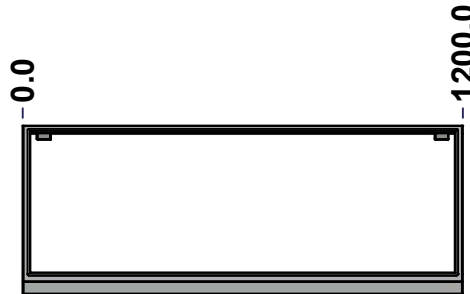
TOP



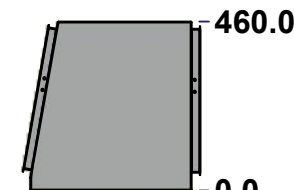
BACK



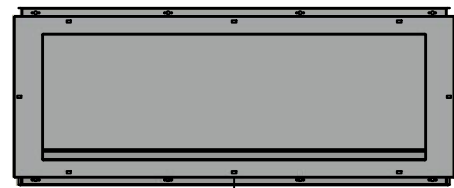
LEFT



FRONT

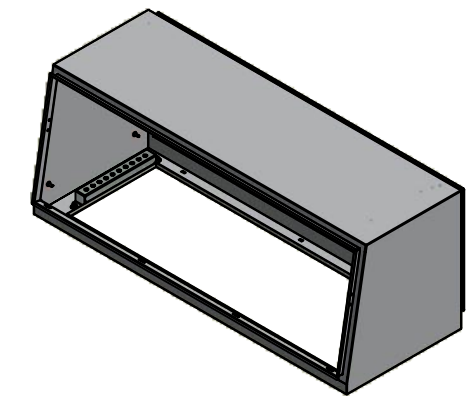


RIGHT



BOTTOM

No.	Revisions	Date	By/Par



Isometric View

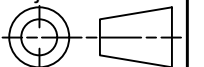


Tél: (450) 979-4373  
 Fax: (450) 979-4626  
[www.exmweb.com](http://www.exmweb.com)

Flatness  
Aplatissement

Max 3.0mm

Projection



Customer Client	Date
Drawn By / Dessiné Par: BoxCad: BoxCad	Date: 7/15/2021
Material / Matière: 14 Ga Cold Rolled A1008 CS Type B (1.7mm)	
Color / Couleur: Light Grey RAL7035	Finish / Fini: Rough Textured
Description: 6500MTU 460mm x 1200mm x 500mm Body	Detail Rev.
Part Number / Numéro Pièce: <b>6500MTU1205B</b>	Rev. 0 / 3

SEE BILL OF MATERIAL ON LAST PAGE

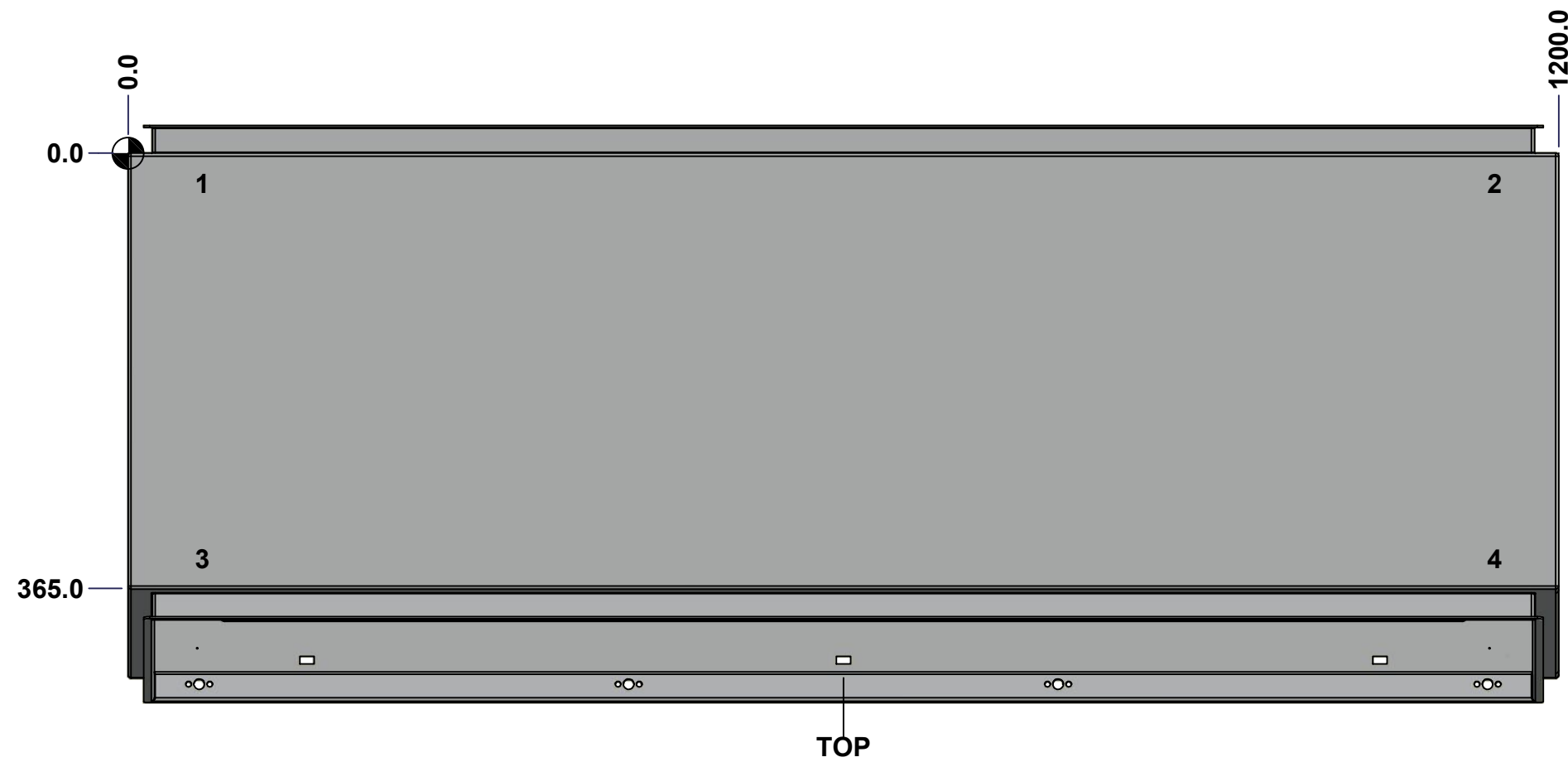
This drawing is confidential and must not be reproduced or used without the consent of EXM

Ce dessin est confidentiel et ne doit pas être reproduit ou utilisé sans le consentement de EXM

**STANDARD FEATURES ARE NOT LISTED IN THIS HOLE TABLE**

**HOLE TABLE - TOP VIEW (CUSTOM FEATURE ONLY)**

CUT-OUT	XDIM	YDIM	DESCRIPTION
1	58.0	25.0	STUD M6 x 18mm (Inside)
2	1142.0	25.0	STUD M6 x 18mm (Inside)
3	58.0	340.0	STUD M6 x 18mm (Inside)
4	1142.0	340.0	STUD M6 x 18mm (Inside)

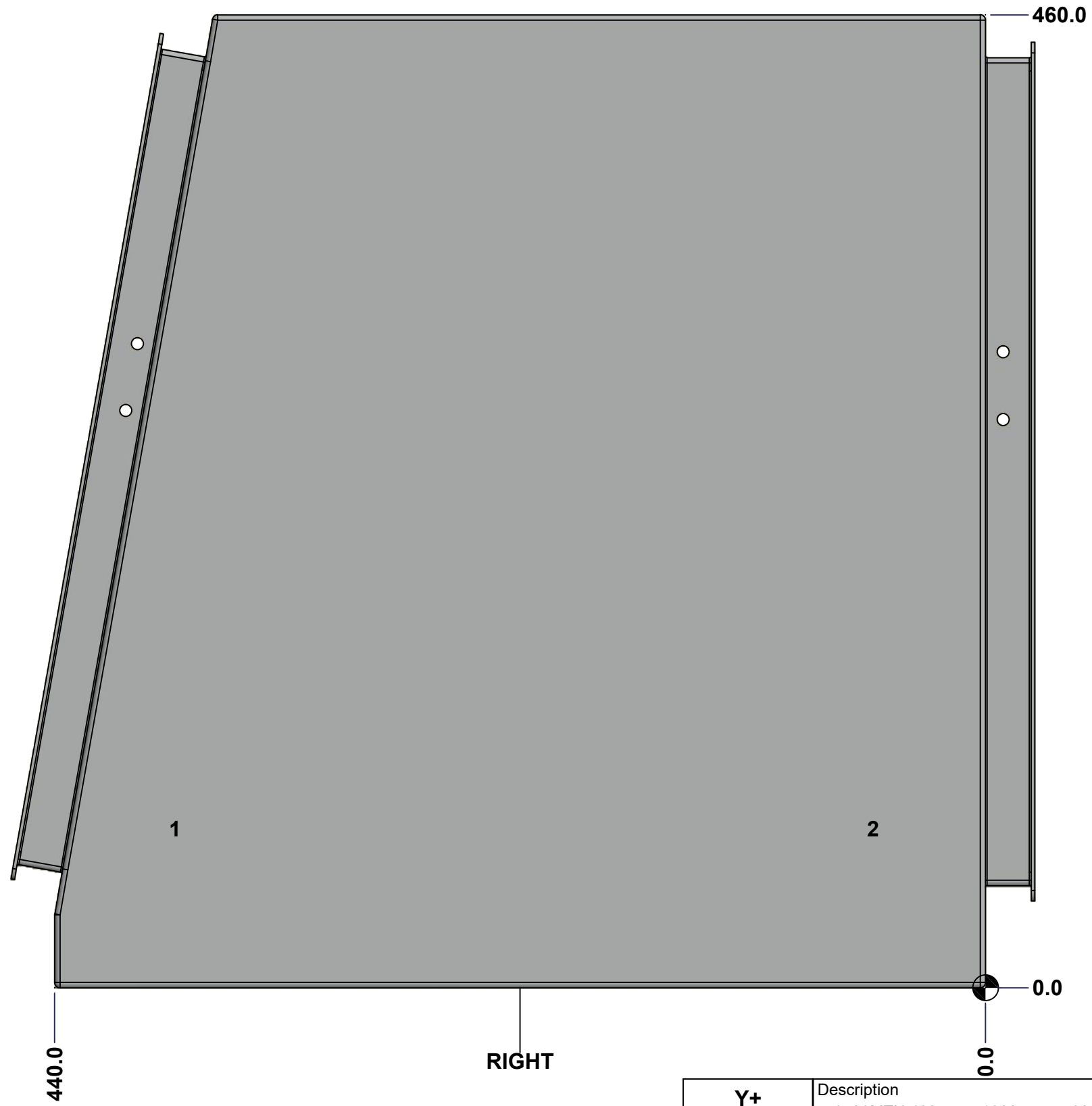


	Description 6500MTU 460mm x 1200mm x 500mm Body		Status (NULL)	
	Part Number Numéro Pièce <b>6500MTU1205B</b>		Rev. <b>0</b>	4 16

This drawing is confidential and must not be reproduced or used without the consent of EXM

Ce dessin est confidentiel et ne doit pas être reproduit ou utilisé sans le consentement de EXM

STANDARD FEATURES ARE NOT LISTED IN THIS HOLE TABLE			
HOLE TABLE - RIGHT VIEW (CUSTOM FEATURE ONLY)			
CUT-OUT	XDIM	YDIM	DESCRIPTION
1	385.0	75.0	GND STUD M6 x 16mm (Inside)
2	55.0	75.0	GND STUD M6 x 16mm (Inside)



	Description 6500MTU 460mm x 1200mm x 500mm Body	Status (NULL)
	Part Number Numéro Pièce <b>6500MTU1205B</b>	Rev. 5 <b>0</b> / 16

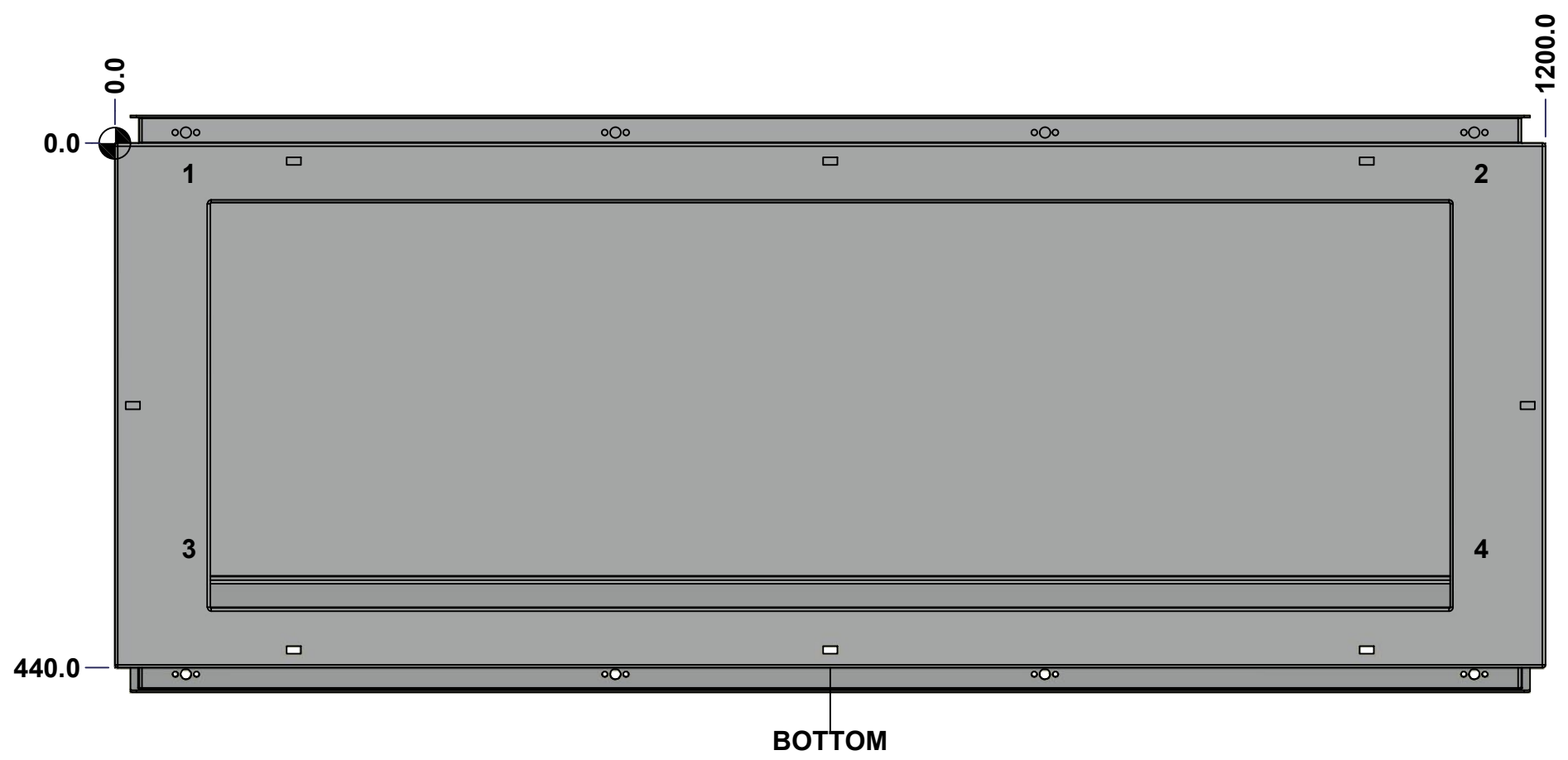
This drawing is confidential and must not be reproduced or used without the consent of EXM

Ce dessin est confidentiel et ne doit pas être reproduit ou utilisé sans le consentement de EXM

**STANDARD FEATURES ARE NOT LISTED IN THIS HOLE TABLE**

**HOLE TABLE - BOTTOM VIEW (CUSTOM FEATURE ONLY)**

CUT-OUT	XDIM	YDIM	DESCRIPTION
1	58.0	25.0	STUD M6 x 18mm (Inside)
2	1142.0	25.0	STUD M6 x 18mm (Inside)
3	58.0	340.0	STUD M6 x 18mm (Inside)
4	1142.0	340.0	STUD M6 x 18mm (Inside)



	Description 6500MTU 460mm x 1200mm x 500mm Body	Status (NULL)
	Part Number Numéro Pièce <b>6500MTU1205B</b>	Rev. 6 <b>0</b> / 16

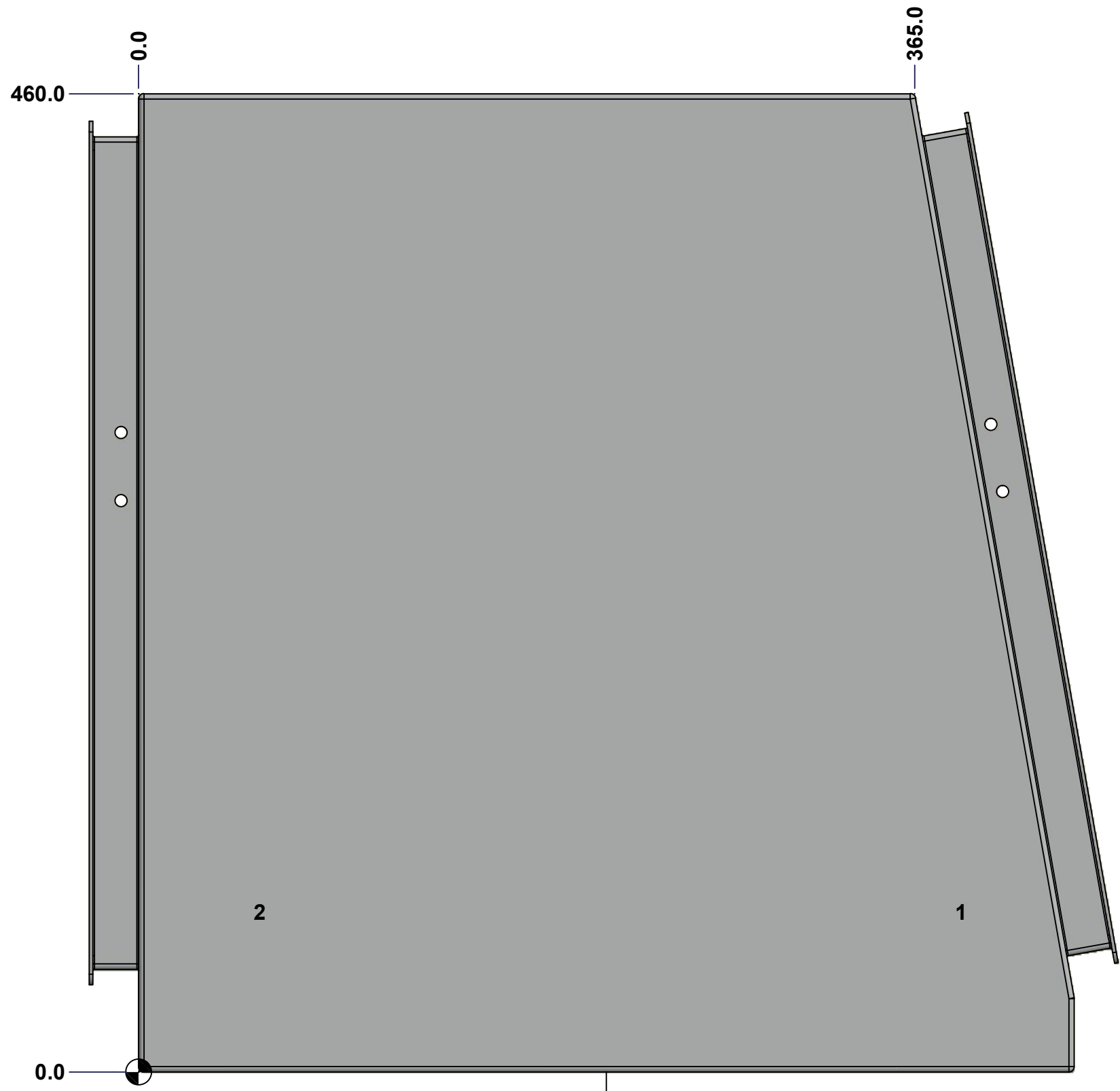
This drawing is confidential and must not be reproduced or used without the consent of EXM

Ce dessin est confidentiel et ne doit pas être reproduit ou utilisé sans le consentement de EXM

**STANDARD FEATURES ARE NOT LISTED IN THIS HOLE TABLE**

**HOLE TABLE - LEFT VIEW (CUSTOM FEATURE ONLY)**

CUT-OUT	XDIM	YDIM	DESCRIPTION
1	385.0	75.0	GND STUD M6 x 16mm (Inside)
2	55.0	75.0	GND STUD M6 x 16mm (Inside)



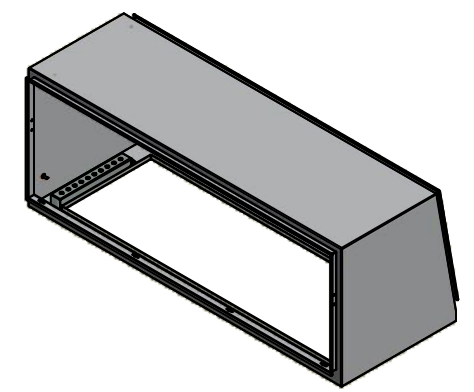
LEFT

	Description 6500MTU 460mm x 1200mm x 500mm Body	Status (NULL)
	Part Number Numéro Pièce <b>6500MTU1205B</b>	Rev. 7 <b>0</b> / 16

This drawing is confidential and must not be reproduced or used without the consent of EXM

Ce dessin est confidentiel et ne doit pas être reproduit ou utilisé sans le consentement de EXM

No.	Revisions	Date	By/Par



Isometric View



Tél: (450) 979-4373  
 Fax: (450) 979-4626  
[www.exmweb.com](http://www.exmweb.com)

Flatness  
Aplatissement  
Max 3.0mm  
Projection

Customer Client	Date
Drawn By / Dessiné Par: BoxCad: BoxCad	Date: 7/15/2021
Material / Matière: 14 Ga Cold Rolled A1008 CS Type B (1.7mm)	

Color / Couleur: Light Grey RAL7035	Finish / Fini: Rough Textured
Description: 6500MTU 460mm x 1200mm x 500mm Body	
Detail Rev.	

4	STK-Q-16080	0	Ground Stud M6 x 16mm
1	STK-P-03820R	0	Powder Paint (Light Grey / Rough Textured)
4	STK-Q-49090-275	2	Mounting Rail 275.0mm
8	STK-Q-16031	0	M6 x 10mm Stud (No Paint Cap Required)
1	6500MTU1205B-P	0	6500MTU 460mm x 1200mm x 500mm Body Part
8	STK-Q-07220	1	M6 Nylon Insert Lock Nut
Qty	Part Number	Rev	Description
Parts List			

Part Number / Numéro Pièce: <b>6500MTU1205B</b>	Rev. / Révis: <b>0</b>	8
		16

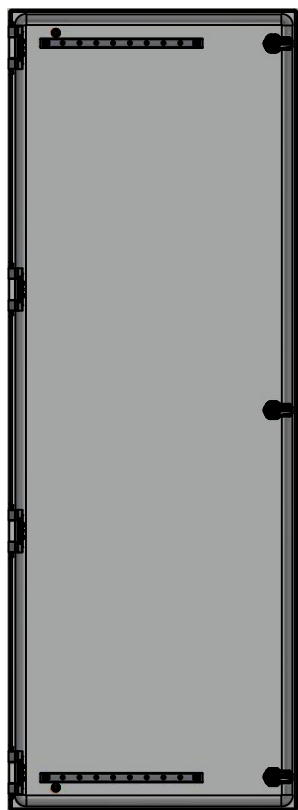


This drawing is confidential and must not be reproduced or used without the consent of EXM

Ce dessin est confidentiel et ne doit pas être reproduit ou utilisé sans le consentement de EXM



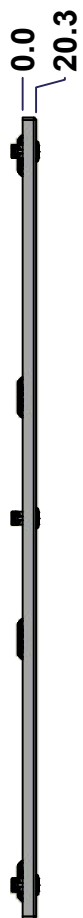
TOP



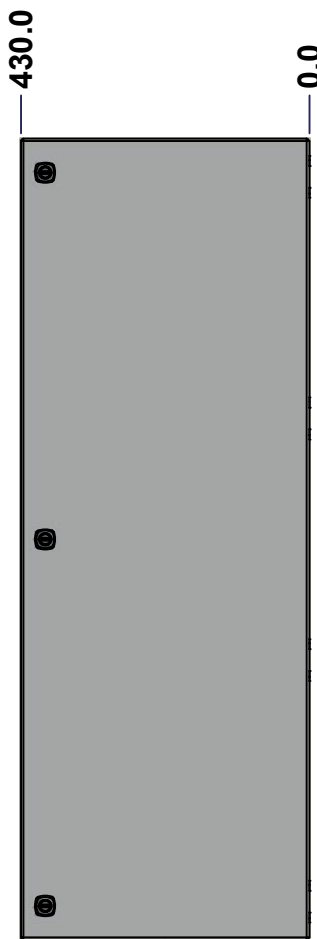
BACK



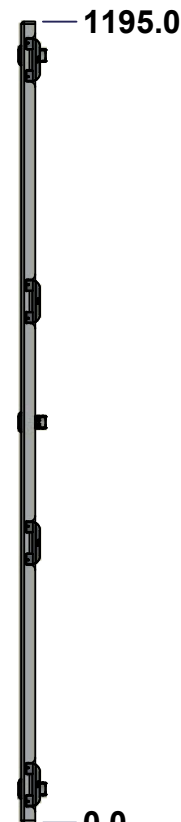
BOTTOM



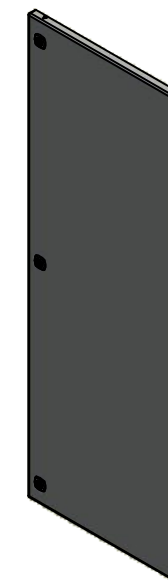
LEFT



FRONT




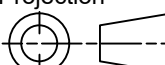
RIGHT



Isometric View



No.	Revisions	Date	By/Par

 Tél: (450) 979-4373 Fax: (450) 979-4626 <a href="http://www.exmweb.com">www.exmweb.com</a>		Flatness Aplatissement Max 3.0mm Projection 
Customer Client	Date	
Drawn By Dessiné Par	BoxCad: BoxCad	Date 7/15/2021
Material Matière	14 Ga Cold Rolled A1008 CS Type B (1.7mm)	
Color Couleur	Light Grey RAL7035	Finish Fini Rough Textured
Description 6500MTU 460mm x 1200mm Front Cover		Detail Rev.
Part Number Numéro Pièce	Rev. 0	9 / 16

SEE BILL OF MATERIAL ON LAST PAGE

**6500MTU1205FD**

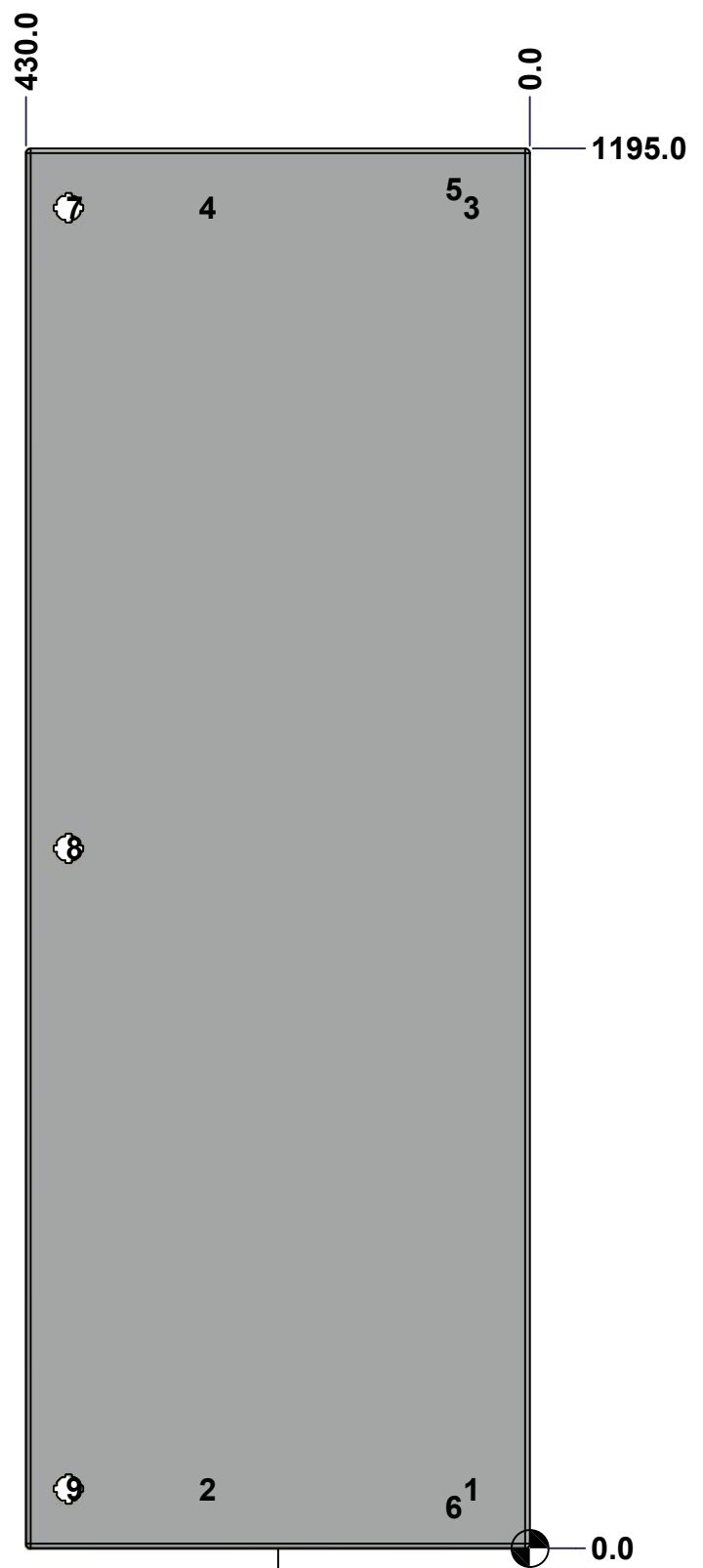
This drawing is confidential and must not be reproduced or used without the consent of EXM

Ce dessin est confidentiel et ne doit pas être reproduit ou utilisé sans le consentement de EXM

**STANDARD FEATURES ARE NOT LISTED IN THIS HOLE TABLE**

**HOLE TABLE - FRONT VIEW (CUSTOM FEATURE ONLY)**

CUT-OUT	XDIM	YDIM	DESCRIPTION
1	55.0	50.0	STUD M6 x 18mm (Inside)
2	280.0	50.0	STUD M6 x 18mm (Inside)
3	55.0	1145.0	STUD M6 x 18mm (Inside)
4	280.0	1145.0	STUD M6 x 18mm (Inside)
-----			
5	70.0	1160.0	GND STUD M6 x 16mm (Inside)
6	70.0	35.0	GND STUD M6 x 16mm (Inside)
7	393.8	1144.2	LOCK 880 SCQ4-SL @ 90.0°
8	393.8	597.5	LOCK 880 SCQ4-SL @ 90.0°
9	393.8	50.8	LOCK 880 SCQ4-SL @ 90.0°



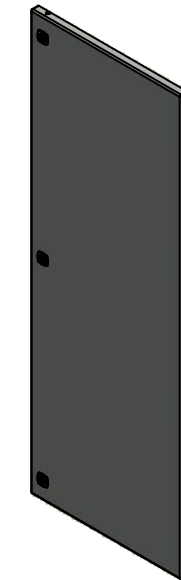
FRONT

	Description	Status
	6500MTU 460mm x 1200mm Front Cover	(NULL)
	Part Number Numéro Pièce	Rev.
	<b>6500MTU1205FD</b>	<b>0</b>
		10
		16

This drawing is confidential and must not be reproduced or used without the consent of EXM


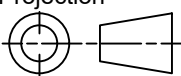
Ce dessin est confidentiel et ne doit pas être reproduit ou utilisé sans le consentement de EXM

No.	Revisions	Date	By/Par



Isometric View



 Tél: (450) 979-4373 Fax: (450) 979-4626 <a href="http://www.exmweb.com">www.exmweb.com</a>	Flatness Aplatissement	Max 3.0mm
	Projection	
Customer Client	Date	
Drawn By Dessiné Par	BoxCad: BoxCad	Date 7/15/2021
Material Matière	14 Ga Cold Rolled A1008 CS Type B (1.7mm)	
Color Couleur	Light Grey RAL7035	Finish Fini Rough Textured
Description	6500MTU 460mm x 1200mm Front Cover	
Part Number Numéro Pièce	Rev. 0	11 / 16

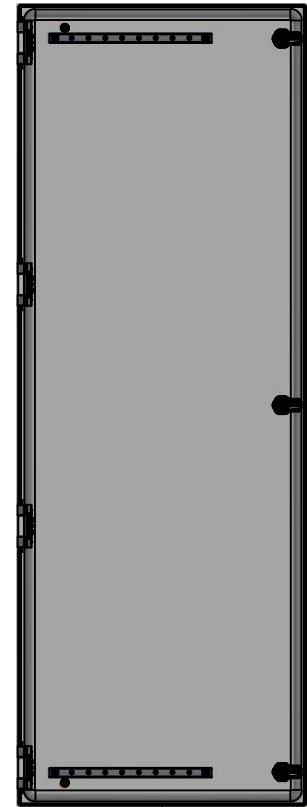
Qty	Part Number	Rev	Description
2	STK-Q-16080	0	Ground Stud M6 x 16mm
1	STK-P-03820R	0	Powder Paint (Light Grey / Rough Textured)
2	STK-Q-46020-12	5	5412 ES Vertical Door Stiffener 12"
4	STK-Q-16055	1	M6 x 18mm Stud (No Paint Cap Required)
1	6500MTU1205FD-P	0	6500MTU 460mm x 1200mm Front Cover Part
1	6500MTU1205FD-G	0	6500MTU 460mm x 1200mm Front Cover Gasket
4	STK-K-09800	10	5412 ES Hinge with 2 Captive Hinge Pins
4	STK-Q-07220	1	M6 Nylon Insert Lock Nut
3	880 SCQ4-SL	6	5412 ES 1/4 Turn Lock
Parts List			

This drawing is confidential and must not be reproduced or used without the consent of EXM

Ce dessin est confidentiel et ne doit pas être reproduit ou utilisé sans le consentement de EXM



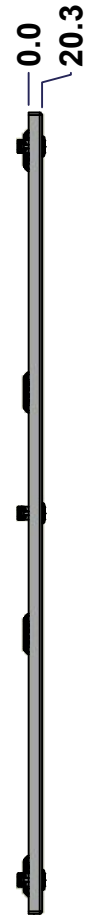
TOP



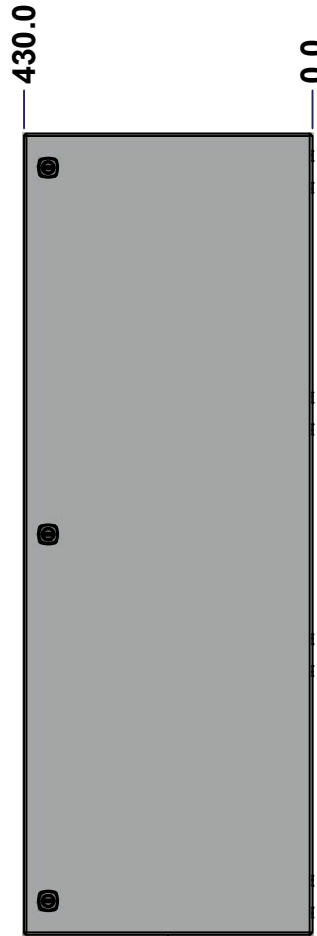
BACK



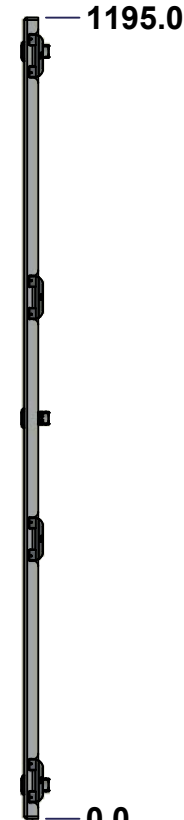
BOTTOM



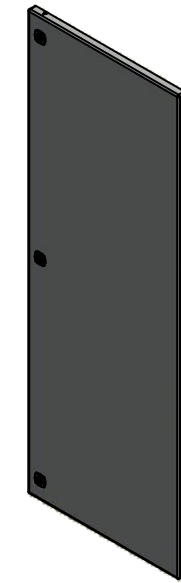
LEFT



FRONT




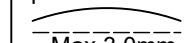
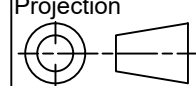
RIGHT



Isometric View



No.	Revisions	Date	By/Par

 Tél: (450) 979-4373 Fax: (450) 979-4626 <a href="http://www.exmweb.com">www.exmweb.com</a>		Flatness Aplatissement  Max 3.0mm
Customer Client Drawn By / Dessiné Par: BoxCad: BoxCad		Projection 
Material / Matière: 14 Ga Cold Rolled A1008 CS Type B (1.7mm)		Date: 7/15/2021
Color / Couleur: Light Grey RAL7035	Finish / Fini: Rough Textured	Detail Rev.
Description: 6500MTU 460mm x 1200mm Back Cover		Part Number / Numéro Pièce: <b>6500MTU1205BD</b>
SEE BILL OF MATERIAL ON LAST PAGE		Rev. 0 / 12 / 16

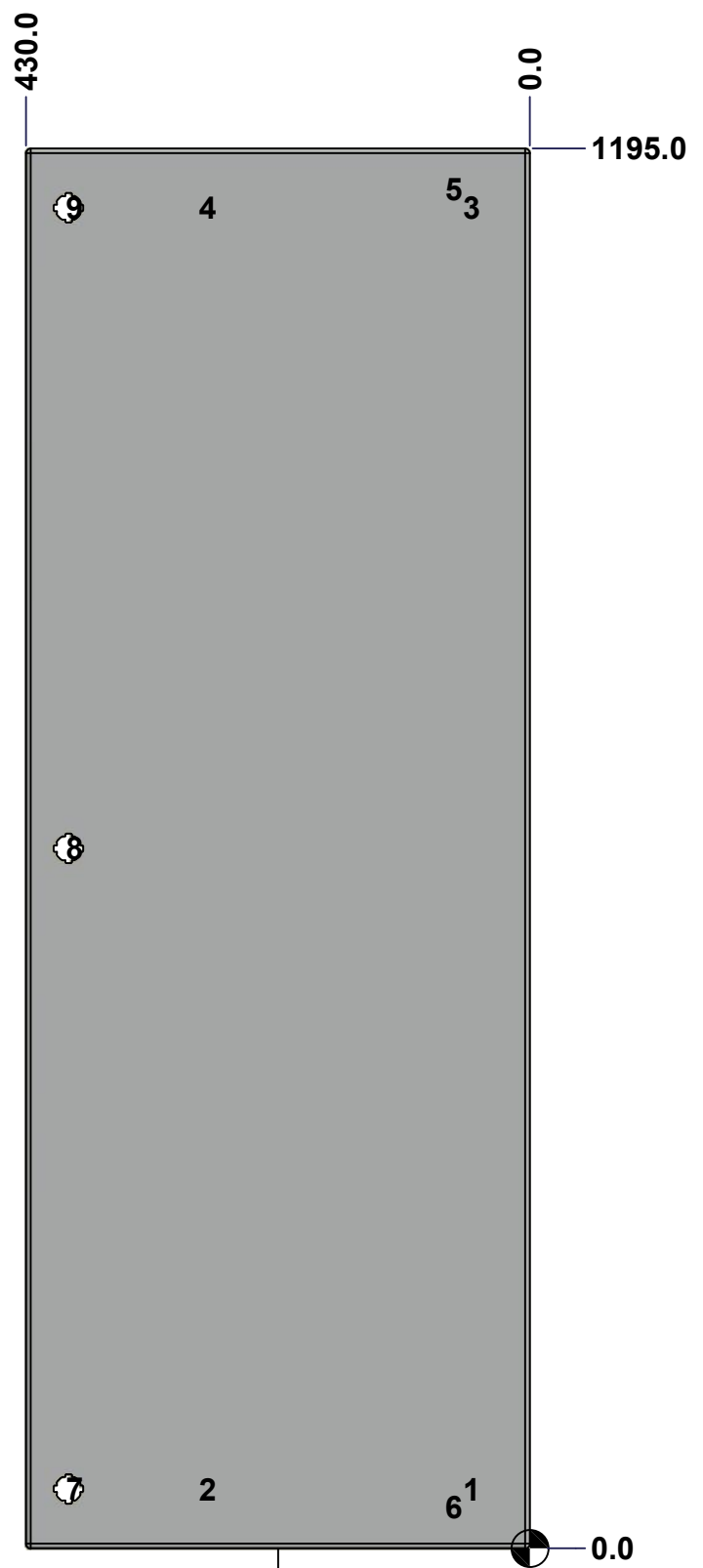
This drawing is confidential and must not be reproduced or used without the consent of EXM

Ce dessin est confidentiel et ne doit pas être reproduit ou utilisé sans le consentement de EXM

**STANDARD FEATURES ARE NOT LISTED IN THIS HOLE TABLE**

**HOLE TABLE - FRONT VIEW (CUSTOM FEATURE ONLY)**

CUT-OUT	XDIM	YDIM	DESCRIPTION
1	55.0	50.0	STUD M6 x 18mm (Inside)
2	280.0	50.0	STUD M6 x 18mm (Inside)
3	55.0	1145.0	STUD M6 x 18mm (Inside)
4	280.0	1145.0	STUD M6 x 18mm (Inside)
-----			
5	70.0	1160.0	GND STUD M6 x 16mm (Inside)
6	70.0	35.0	GND STUD M6 x 16mm (Inside)
7	393.8	50.8	LOCK 880 SCQ4-SL @ 90.0°
8	393.8	597.5	LOCK 880 SCQ4-SL @ 90.0°
9	393.8	1144.2	LOCK 880 SCQ4-SL @ 90.0°



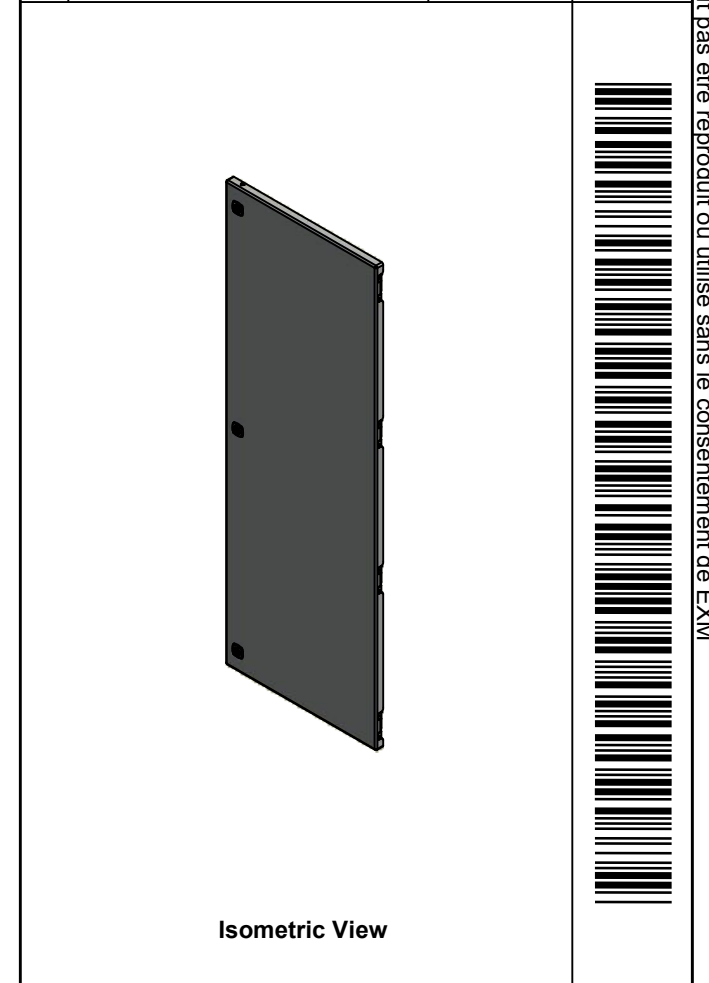
FRONT

	Description	Status
	6500MTU 460mm x 1200mm Back Cover	(NULL)
Part Number Numéro Pièce <b>6500MTU1205BD</b>	Rev.	13
	<b>0</b>	16

This drawing is confidential and must not be reproduced or used without the consent of EXM

Ce dessin est confidentiel et ne doit pas être reproduit ou utilisé sans le consentement de EXM

No.	Revisions	Date	By/Par




 Tél: (450) 979-4373  
 Fax: (450) 979-4626  
[www.exmweb.com](http://www.exmweb.com)

**Flatness**  
 Aplatissement  

 Max 3.0mm  
**Projection**  


Customer Client	Date
Drawn By Dessiné Par BoxCad: BoxCad	Date 7/15/2021
Material Matière 14 Ga Cold Rolled A1008 CS Type B (1.7mm)	

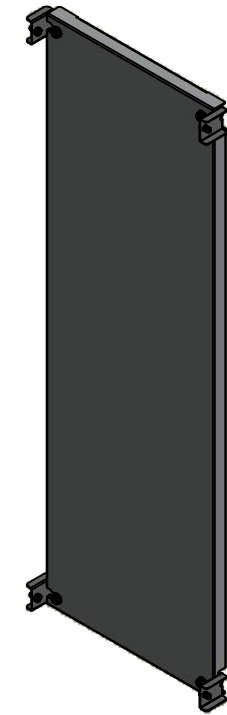
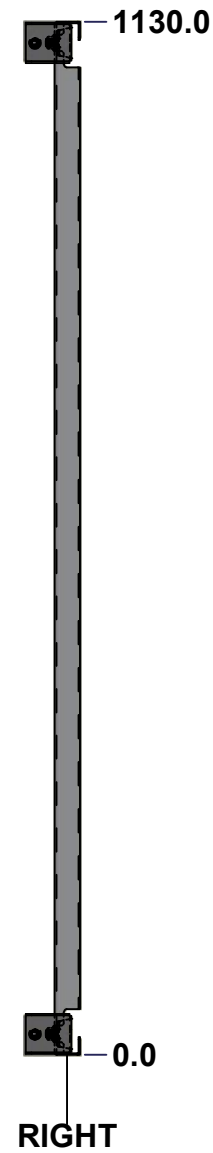
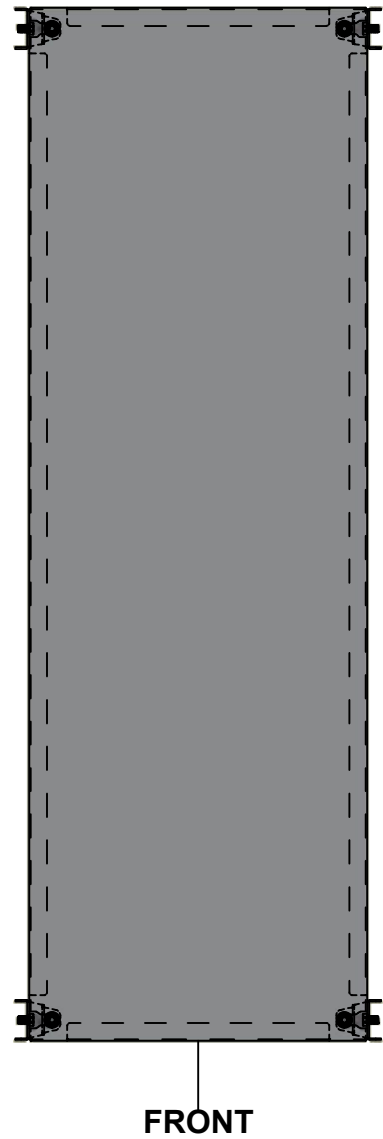
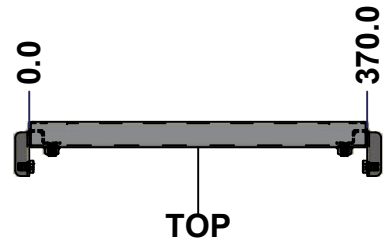
Color Couleur Light Grey RAL7035	Finish Fini Rough Textured
Description 6500MTU 460mm x 1200mm Back Cover	

Part Number Numéro Pièce <b>6500MTU1205BD</b>	Rev. <b>0</b>	14 16
---	---------------	----------


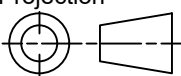
Qty	Part Number	Rev	Description
2	STK-Q-16080	0	Ground Stud M6 x 16mm
1	STK-P-03820R	0	Powder Paint (Light Grey / Rough Textured)
2	STK-Q-46020-12	5	5412 ES Vertical Door Stiffener 12"
4	STK-Q-16055	1	M6 x 18mm Stud (No Paint Cap Required)
1	6500MTU1205BD-P	0	6500MTU 460mm x 1200mm Back Cover Part
1	6500MTU1205BD-G	0	6500MTU 460mm x 1200mm Back Cover Gasket
4	STK-K-09800	10	5412 ES Hinge with 2 Captive Hinge Pins
4	STK-Q-07220	1	M6 Nylon Insert Lock Nut
3	880 SCQ4-SL	6	5412 ES 1/4 Turn Lock
Parts List			

This drawing is confidential and must not be reproduced or used without the consent of EXM

Ce dessin est confidentiel et ne doit pas être reproduit ou utilisé sans le consentement de EXM



No.	Revisions	Date	By/Par

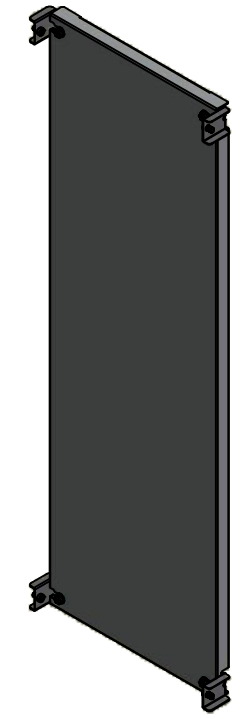
 Tél: (450) 979-4373 Fax: (450) 979-4626 <a href="http://www.exmweb.com">www.exmweb.com</a>		Flatness Aplatissement Max 3.0mm Projection 
Customer Client	Date	
Drawn By Dessiné Par	BoxCad: BoxCad	Date 7/15/2021
Material Matière	14 Ga Galvanized	
Color Couleur	Unpainted	Finish Fini Rough Textured
Description	Detail Rev.	
6500MTU 460mm x 1200mm Inner Panel Part		
Part Number Numéro Pièce	Rev.	15
<b>6500MTU1205IP</b>	<b>0</b>	16

SEE BILL OF MATERIAL ON LAST PAGE

This drawing is confidential and must not be reproduced or used without the consent of EXM


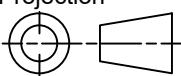
Ce dessin est confidentiel et ne doit pas être reproduit ou utilisé sans le consentement de EXM

No.	Revisions	Date	By/Par



Isometric View



 Tél: (450) 979-4373 Fax: (450) 979-4626 <a href="http://www.exmweb.com">www.exmweb.com</a>	Flatness Aplatissement	Max 3.0mm
	Projection	
Customer Client	Date	
Drawn By Dessiné Par	BoxCad: BoxCad	Date 7/15/2021
Material Matière	14 Ga Galvanized	
Color Couleur	Unpainted	Finish Fini
		Rough Textured
Description	Detail Rev.	
6500MTU 460mm x 1200mm Inner Panel Part		
Part Number Numéro Pièce	Rev.	16
<b>6500MTU1205IP</b>	<b>0</b>	16

Qty	Part Number	Rev	Description
4	STK-Q-00700	2	M8 x 12mm Hex Socket Cap Screw (DIN 6912)
4	STK-Q-07310	2	Flange Lock Nut M8
1	6500MTU1205IP-P	0	6500MTU 460mm x 1200mm Inner Panel Part
4	STK-Q-07640	0	6500 MTU Inner Panel Support Bracket
Parts List			