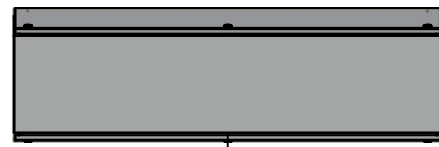


This drawing is confidential and must not be reproduced or used without the consent of EXM

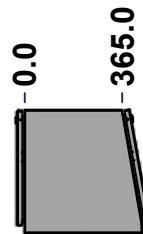
Ce dessin est confidentiel et ne doit pas être reproduit ou utilisé sans le consentement de EXM



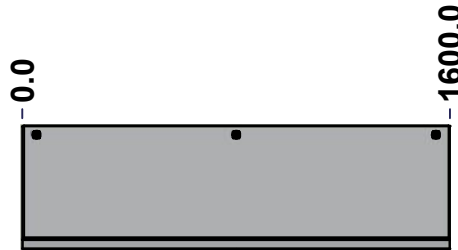
TOP



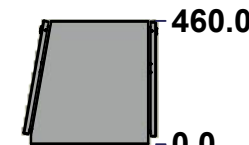
BACK



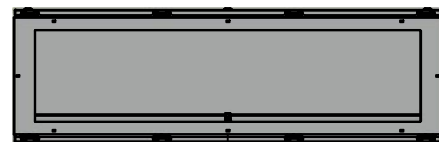
LEFT



FRONT

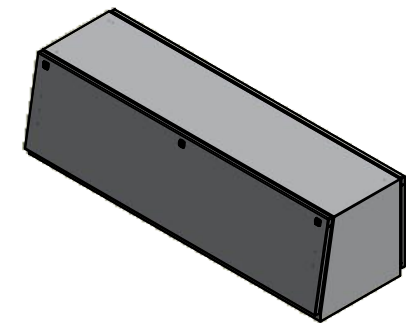


RIGHT



BOTTOM

No.	Revisions	Date	By/Par



Isometric View

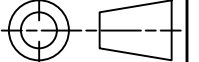


Tél: (450) 979-4373  
 Fax: (450) 979-4626  
[www.exmweb.com](http://www.exmweb.com)

Flatness  
Aplatissement

Max 3.0mm

Projection



Customer Client	Date
Drawn By Dessiné Par BoxCad: BoxCad	Date 7/21/2022
Material Matière 14 Ga Cold Rolled A1008 CS Type B (1.7mm)	

Color Couleur Light Grey RAL7035	Finish Fini Rough Textured
-------------------------------------	-------------------------------

Description 6500MTU 460mm x 1600mm x 500mm Assembly	Detail Rev.
---	-------------

Part Number Numéro Pièce <b>6500MTU1605</b>	Rev. <b>0</b>	1	14
--	---------------	---	----

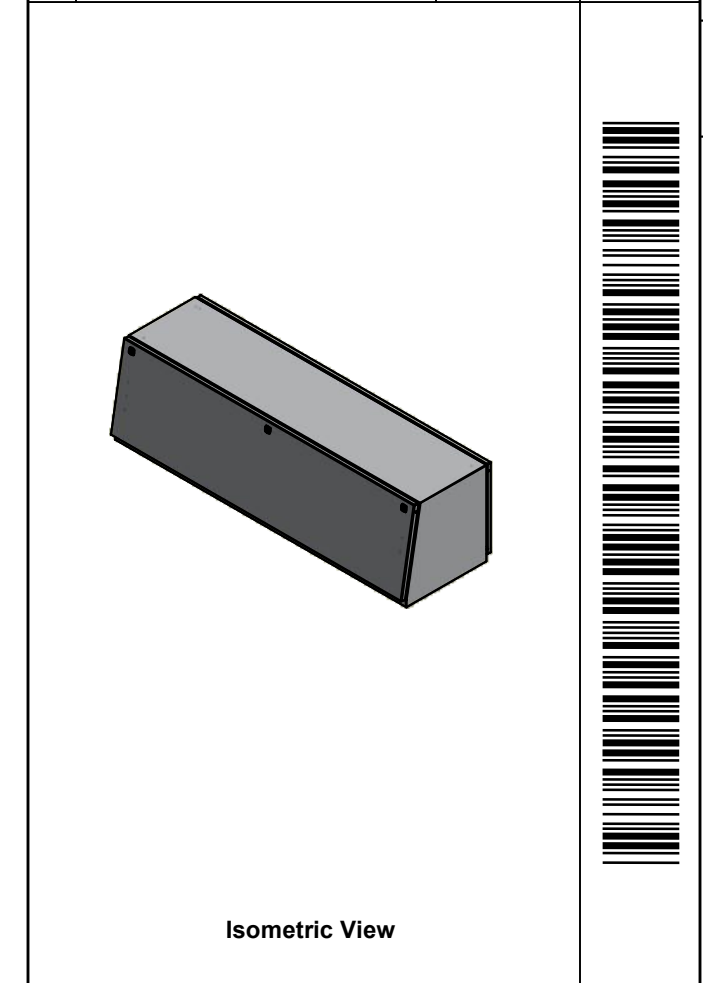
SEE BILL OF MATERIAL ON LAST PAGE

This drawing is confidential and must not be reproduced or used without the consent of EXM

Ce dessin est confidentiel et ne doit pas être reproduit ou utilisé sans le consentement de EXM

NOTE	
ITEM	DESCRIPTION
1	NEMA 12/13 Enclosure
2	C/W Standard ground studs on box and cover
3	C/W Standard door stiffener
4	C/W Standard inner panel (Included)
5	C/W Standard inner panel mounting studs

No.	Revisions	Date	By/Par



Tél: (450) 979-4373  
Fax: (450) 979-4626  
[www.exmweb.com](http://www.exmweb.com)

Flatness  
Aplatissement  
Max 3.0mm  
Projection

Customer Client	Date
Drawn By Dessiné Par BoxCad: BoxCad	Date 7/21/2022

Material Matière 14 Ga Cold Rolled A1008 CS Type B (1.7mm)

Color Couleur Light Grey RAL7035      Finish Fini Rough Textured

Description 6500MTU 460mm x 1600mm x 500mm Assembly      Detail Rev.

Part Number Numéro Pièce **6500MTU1605**      Rev. 0      2/14

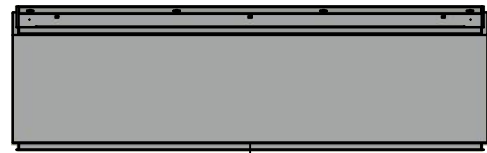
PACKING		
ITEM	QTY	DESCRIPTION
Cardboard corner	2	To reinforced for the plastic strap tightening
Honeycomb angle	4	To protect each corners
Plastic strap- Green	2	To secure the enclosure to the wood pallet
Wood pallet	1	Standard wood pallet
Flat cardboard	1	Between the enclosure and the wood pallet
Packaging label	1	White label with product number

Qty	Part Number	Rev	Description
1	886SP1600MTU	1	Inner Panel
8	STK-Q-05025	1	M5 x 9.5mm Thread Rolling Screw
4	STK-A-GASSPRING	0	Gas Spring 115N/12Kg/26Lbs
1	6500MTU1605BD	0	6500MTU 460mm x 1600mm Back Cover
1	6500MTU1605FD	0	6500MTU 460mm x 1600mm Front Cover
1	6500MTU1605B	0	6500MTU 460mm x 1600mm x 500mm Body
8	STK-Q-04050-07	7	M6 x 7mm Hexagon Socket Head Machine Screw with Nyseal
8	STK-Q-08100	1	M5 Nylon Insert Lock Nut

Parts List

This drawing is confidential and must not be reproduced or used without the consent of EXM

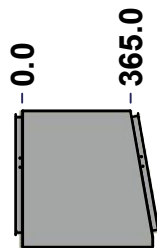
Ce dessin est confidentiel et ne doit pas être reproduit ou utilisé sans le consentement de EXM



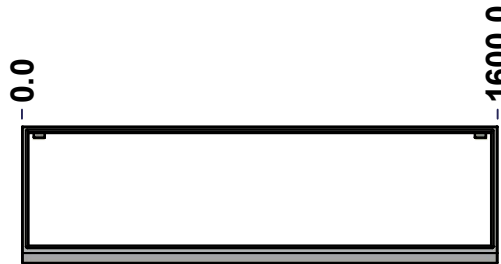
TOP



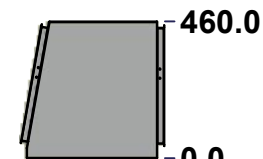
BACK



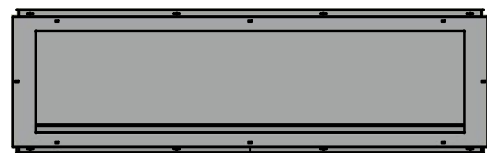
LEFT



FRONT

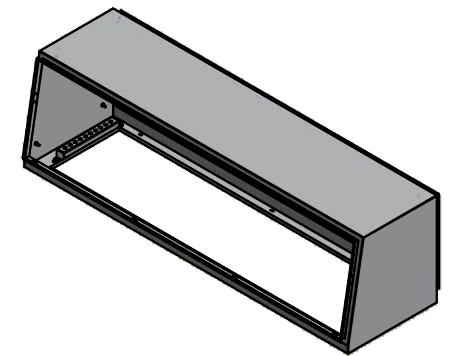


RIGHT



BOTTOM

No.	Revisions	Date	By/Par



Isometric View

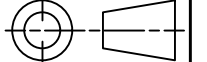


Tél: (450) 979-4373  
 Fax: (450) 979-4626  
[www.exmweb.com](http://www.exmweb.com)

Flatness  
Aplatissement

Max 3.0mm

Projection



Customer Client	Date
Drawn By / Dessiné Par: BoxCad: BoxCad	Date: 7/21/2022
Material / Matière: 14 Ga Cold Rolled A1008 CS Type B (1.7mm)	
Color / Couleur: Light Grey RAL7035	Finish / Fini: Rough Textured
Description: 6500MTU 460mm x 1600mm x 500mm Body	
Detail Rev.	
Part Number / Numéro Pièce: <b>6500MTU1605B</b>	Rev. 0
	3 / 14

SEE BILL OF MATERIAL ON LAST PAGE

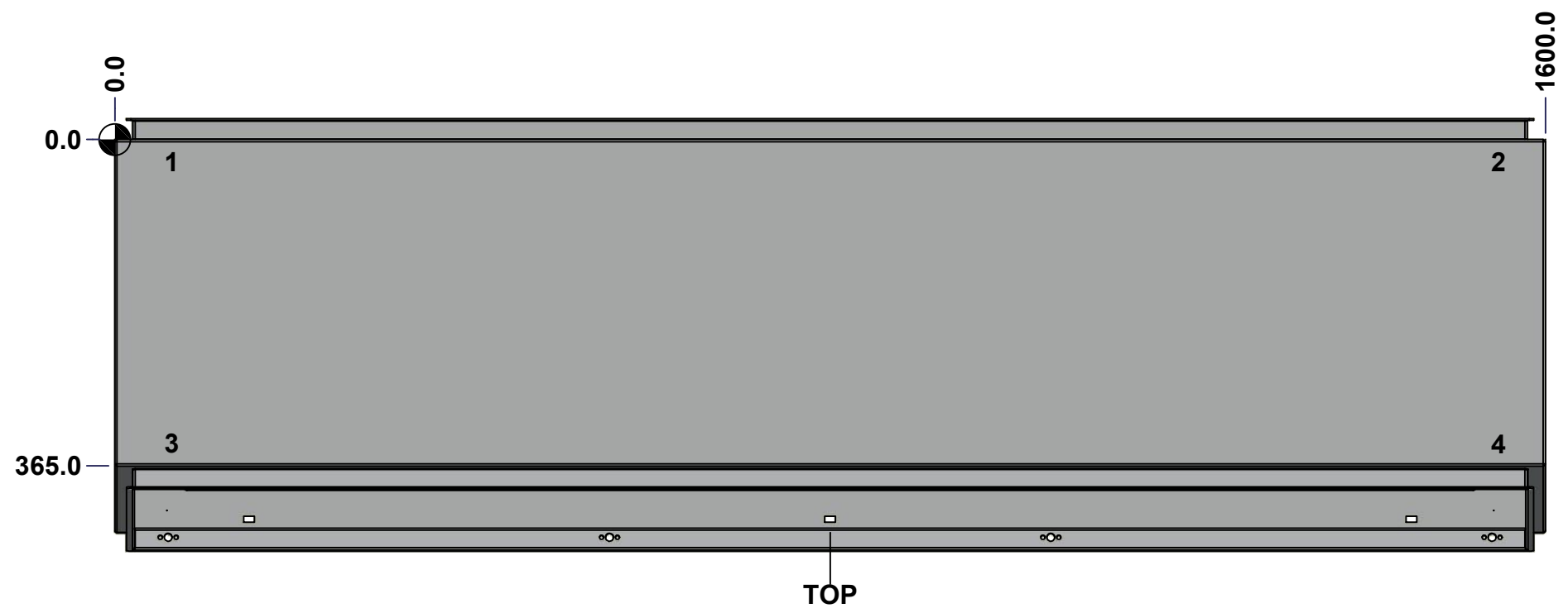
This drawing is confidential and must not be reproduced or used without the consent of EXM

Ce dessin est confidentiel et ne doit pas être reproduit ou utilisé sans le consentement de EXM

**STANDARD FEATURES ARE NOT LISTED IN THIS HOLE TABLE**

**HOLE TABLE - TOP VIEW (CUSTOM FEATURE ONLY)**

CUT-OUT	XDIM	YDIM	DESCRIPTION
1	58.0	25.0	STUD M6 x 18mm (Inside)
2	1542.0	25.0	STUD M6 x 18mm (Inside)
3	58.0	340.0	STUD M6 x 18mm (Inside)
4	1542.0	340.0	STUD M6 x 18mm (Inside)

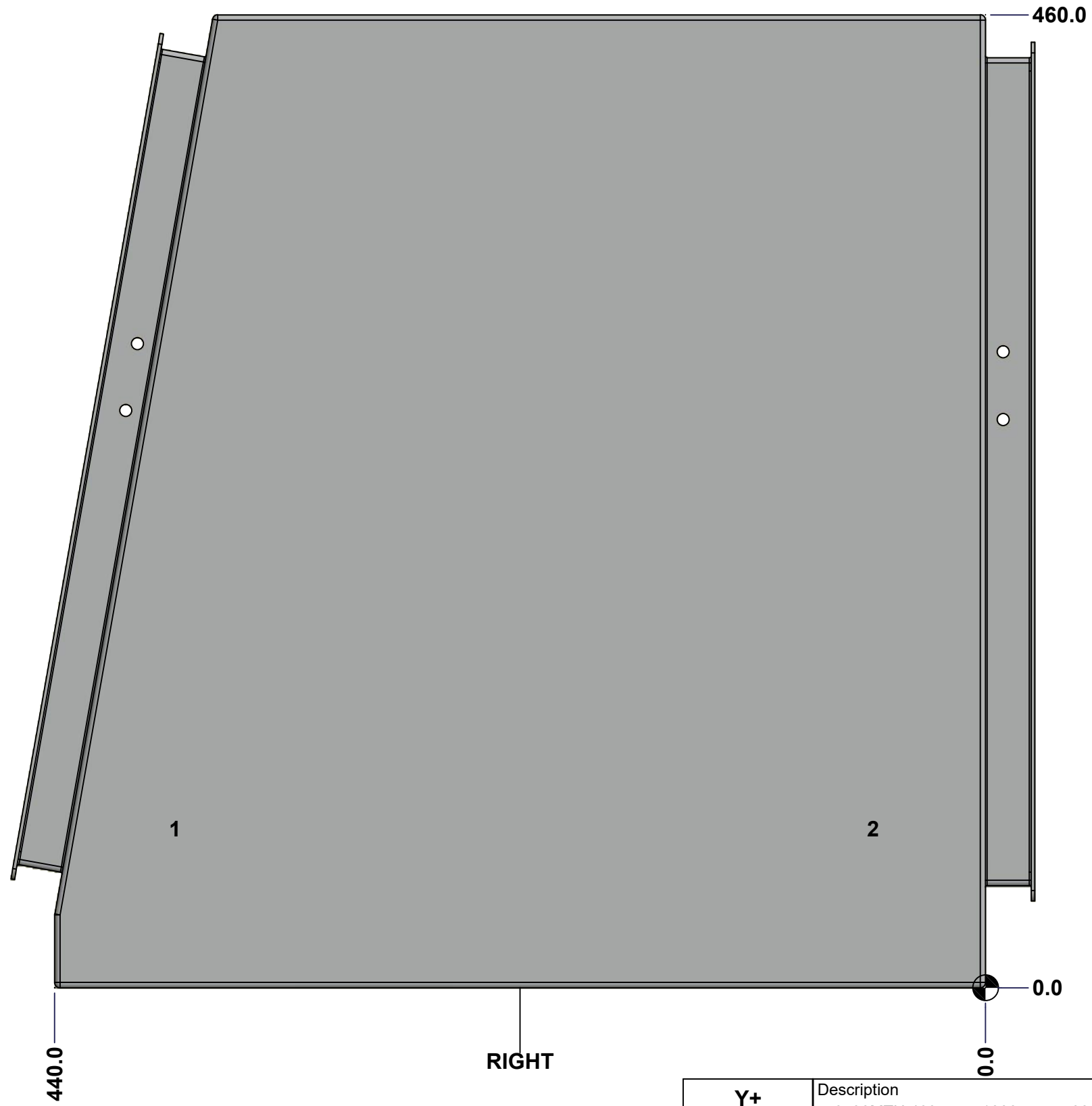


	Description 6500MTU 460mm x 1600mm x 500mm Body		Status (NULL)	
	Part Number Numéro Pièce <b>6500MTU1605B</b>		Rev. <b>0</b>	4 14

This drawing is confidential and must not be reproduced or used without the consent of EXM

Ce dessin est confidentiel et ne doit pas être reproduit ou utilisé sans le consentement de EXM

STANDARD FEATURES ARE NOT LISTED IN THIS HOLE TABLE			
HOLE TABLE - RIGHT VIEW (CUSTOM FEATURE ONLY)			
CUT-OUT	XDIM	YDIM	DESCRIPTION
1	385.0	75.0	GND STUD M6 x 16mm (Inside)
2	55.0	75.0	GND STUD M6 x 16mm (Inside)



	Description 6500MTU 460mm x 1600mm x 500mm Body		Status (NULL)
	Part Number Numéro Pièce <b>6500MTU1605B</b>		Rev. 5 <b>0</b>

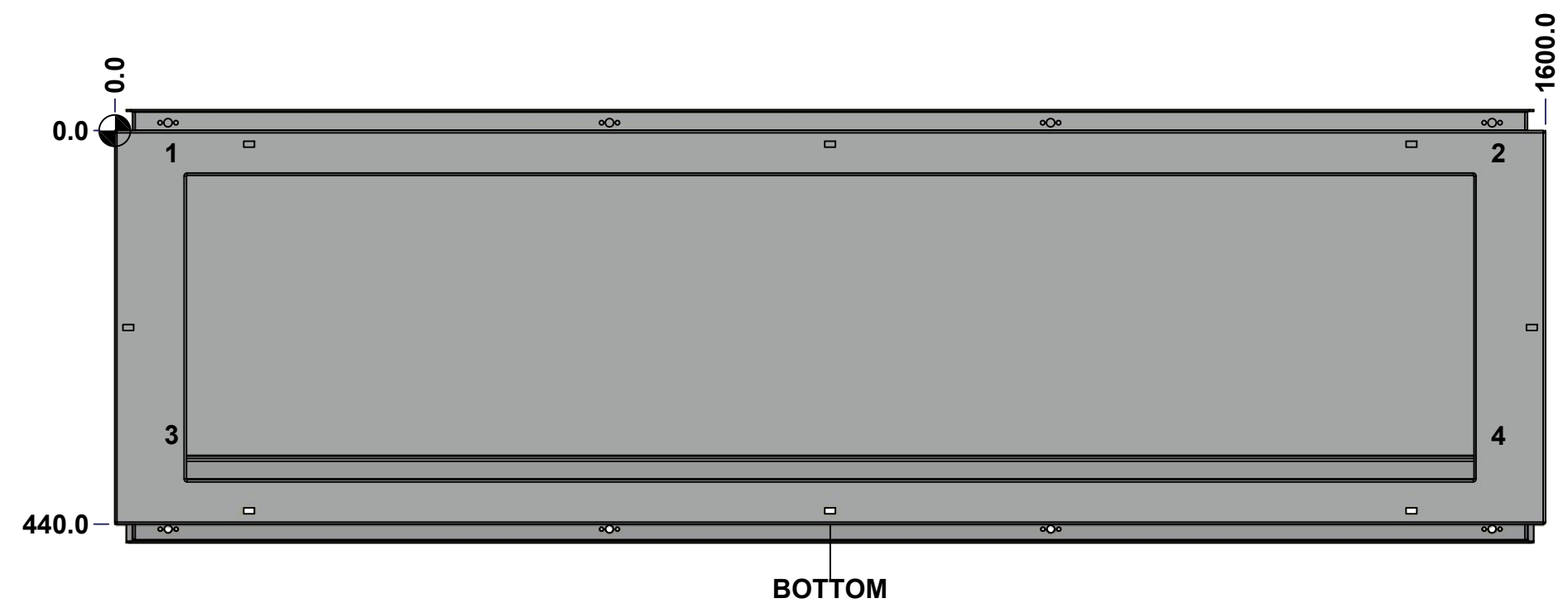
This drawing is confidential and must not be reproduced or used without the consent of EXM

Ce dessin est confidentiel et ne doit pas être reproduit ou utilisé sans le consentement de EXM

**STANDARD FEATURES ARE NOT LISTED IN THIS HOLE TABLE**

**HOLE TABLE - BOTTOM VIEW (CUSTOM FEATURE ONLY)**

CUT-OUT	XDIM	YDIM	DESCRIPTION
1	58.0	25.0	STUD M6 x 18mm (Inside)
2	1542.0	25.0	STUD M6 x 18mm (Inside)
3	58.0	340.0	STUD M6 x 18mm (Inside)
4	1542.0	340.0	STUD M6 x 18mm (Inside)

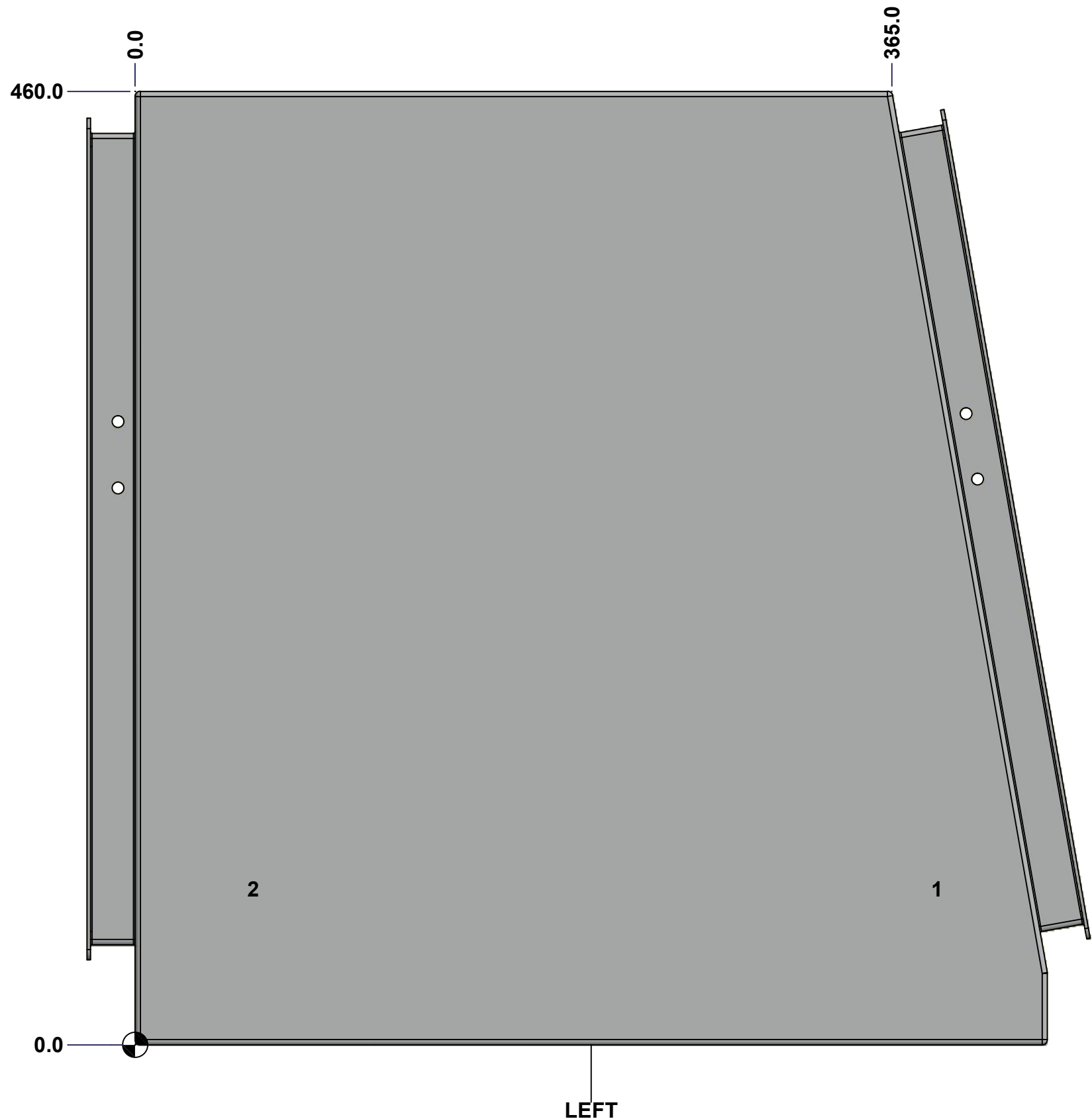


	Description 6500MTU 460mm x 1600mm x 500mm Body		Status (NULL)
	Part Number Numéro Pièce <b>6500MTU1605B</b>		Rev. 6 <b>0</b> / 14

This drawing is confidential and must not be reproduced or used without the consent of EXM

Ce dessin est confidentiel et ne doit pas être reproduit ou utilisé sans le consentement de EXM

STANDARD FEATURES ARE NOT LISTED IN THIS HOLE TABLE			
HOLE TABLE - LEFT VIEW (CUSTOM FEATURE ONLY)			
CUT-OUT	XDIM	YDIM	DESCRIPTION
1	385.0	75.0	GND STUD M6 x 16mm (Inside)
2	55.0	75.0	GND STUD M6 x 16mm (Inside)

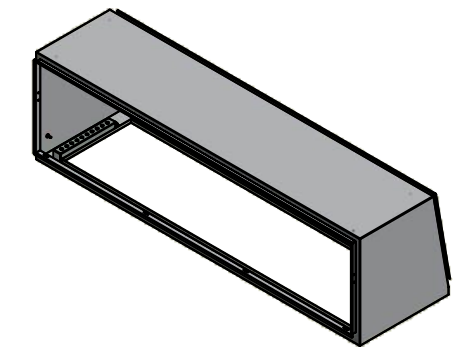


	Description 6500MTU 460mm x 1600mm x 500mm Body		Status (NULL)
	Part Number Numéro Pièce <b>6500MTU1605B</b>		Rev. 7 <b>0</b> / 14

This drawing is confidential and must not be reproduced or used without the consent of EXM

Ce dessin est confidentiel et ne doit pas être reproduit ou utilisé sans le consentement de EXM

No.	Revisions	Date	By/Par



Isometric View



Tél: (450) 979-4373  
Fax: (450) 979-4626  
[www.exmweb.com](http://www.exmweb.com)

Flatness  
Aplatissement  
Max 3.0mm

Projection



Customer Client	Date
Drawn By / Dessiné Par: BoxCad: BoxCad	Date: 7/21/2022

Material / Matière: 14 Ga Cold Rolled A1008 CS Type B (1.7mm)

Color / Couleur: Light Grey RAL7035	Finish / Fini: Rough Textured
-------------------------------------	-------------------------------

Description: 6500MTU 460mm x 1600mm x 500mm Body	Detail Rev.
--	-------------

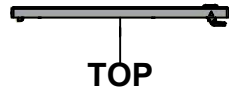
Part Number / Numéro Pièce: <b>6500MTU1605B</b>	Rev. / Révis: <b>0</b>	8
---	------------------------	---

Qty	Part Number	Rev	Description
4	STK-Q-16080	0	Ground Stud M6 x 16mm
1	STK-P-03820R	0	Powder Paint (Light Grey / Rough Textured)
4	STK-Q-49090-275	2	Mounting Rail 275.0mm
8	STK-Q-16031	0	M6 x 10mm Stud (No Paint Cap Required)
1	6500MTU1605B-P	0	6500MTU 460mm x 1600mm x 500mm Body Part
8	STK-Q-07220	1	M6 Nylon Insert Lock Nut
Parts List			

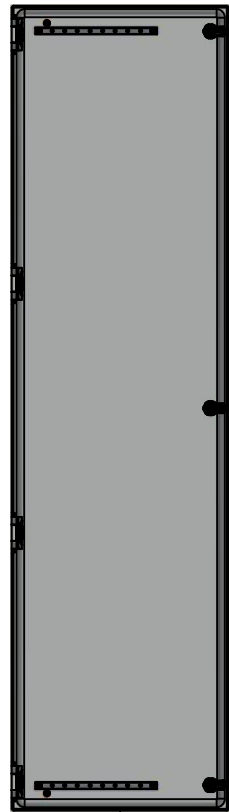


This drawing is confidential and must not be reproduced or used without the consent of EXM

Ce dessin est confidentiel et ne doit pas être reproduit ou utilisé sans le consentement de EXM



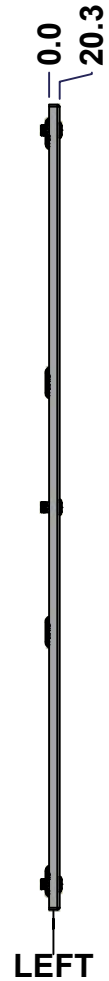
TOP



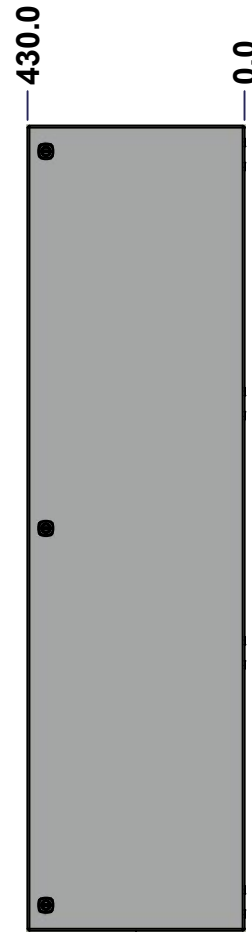
BACK



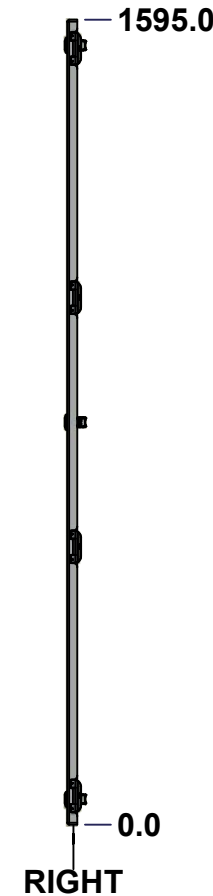
BOTTOM



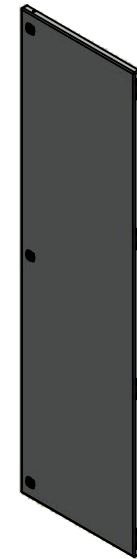
LEFT



FRONT




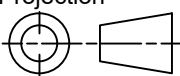
RIGHT



Isometric View



No.	Revisions	Date	By/Par

 Tél: (450) 979-4373 Fax: (450) 979-4626 <a href="http://www.exmweb.com">www.exmweb.com</a>		Flatness Aplatissement Max 3.0mm Projection 
Customer Client	Date	
Drawn By Dessiné Par	BoxCad: BoxCad	Date 7/21/2022
Material Matière	14 Ga Cold Rolled A1008 CS Type B (1.7mm)	
Color Couleur	Light Grey RAL7035	Finish Fini Rough Textured
Description 6500MTU 460mm x 1600mm Front Cover		Detail Rev.
Part Number Numéro Pièce	Rev. 0	9 / 14

SEE BILL OF MATERIAL ON LAST PAGE

**6500MTU1605FD**

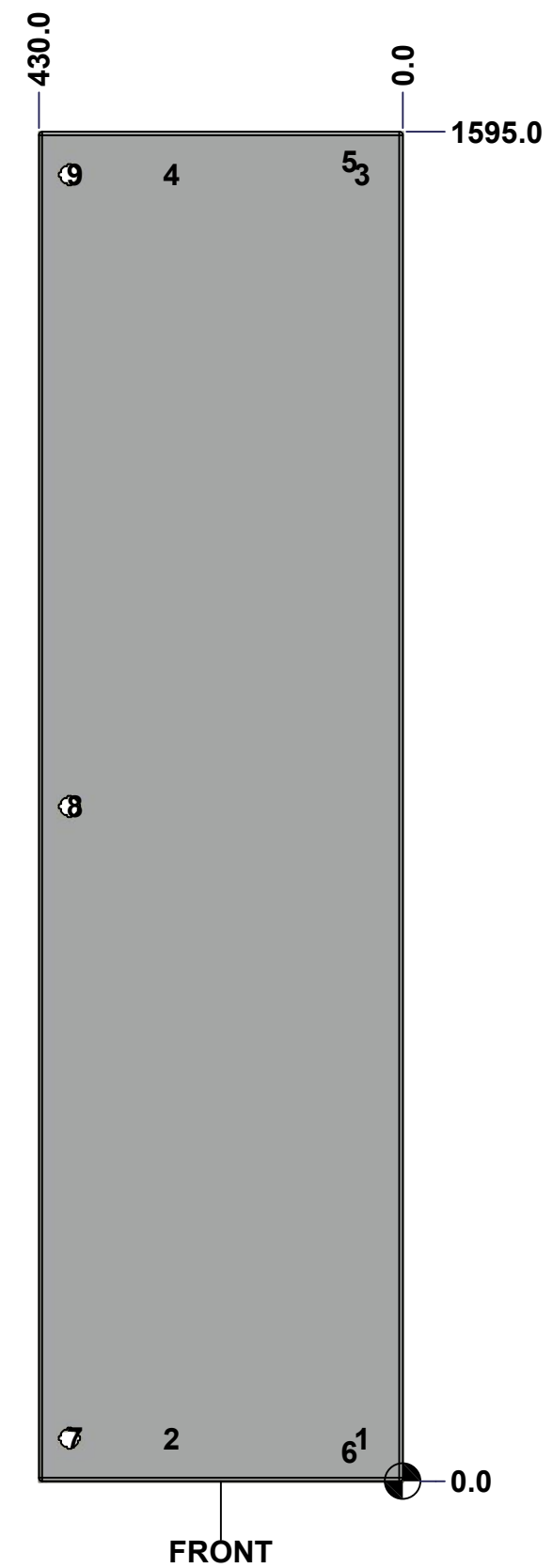
This drawing is confidential and must not be reproduced or used without the consent of EXM

Ce dessin est confidentiel et ne doit pas être reproduit ou utilisé sans le consentement de EXM

**STANDARD FEATURES ARE NOT LISTED IN THIS HOLE TABLE**

**HOLE TABLE - FRONT VIEW (CUSTOM FEATURE ONLY)**

CUT-OUT	XDIM	YDIM	DESCRIPTION
1	55.0	50.0	STUD M6 x 18mm (Inside)
2	280.0	50.0	STUD M6 x 18mm (Inside)
3	55.0	1545.0	STUD M6 x 18mm (Inside)
4	280.0	1545.0	STUD M6 x 18mm (Inside)
-----			
5	70.0	1560.0	GND STUD M6 x 16mm (Inside)
6	70.0	35.0	GND STUD M6 x 16mm (Inside)
7	393.8	50.8	LOCK 880 SCQ4-SL @ 90.0°
8	393.8	797.5	LOCK 880 SCQ4-SL @ 90.0°
9	393.8	1544.2	LOCK 880 SCQ4-SL @ 90.0°

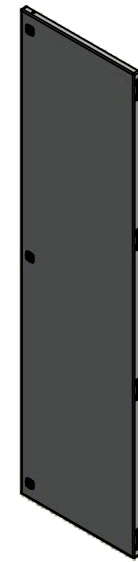


	Description	Status
	6500MTU 460mm x 1600mm Front Cover	(NULL)
	Part Number Numéro Pièce	Rev.
	<b>6500MTU1605FD</b>	<b>0</b>
		10
		14

This drawing is confidential and must not be reproduced or used without the consent of EXM


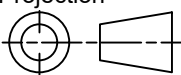
Ce dessin est confidentiel et ne doit pas être reproduit ou utilisé sans le consentement de EXM

No.	Revisions	Date	By/Par



Isometric View

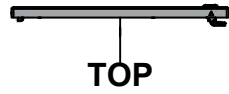


 Tél: (450) 979-4373 Fax: (450) 979-4626 <a href="http://www.exmweb.com">www.exmweb.com</a>	Flatness Aplatissement	Max 3.0mm
	Projection	
Customer Client	Date	
Drawn By Dessiné Par	BoxCad: BoxCad	Date 7/21/2022
Material Matière	14 Ga Cold Rolled A1008 CS Type B (1.7mm)	
Color Couleur	Light Grey RAL7035	Finish Fini Rough Textured
Description	6500MTU 460mm x 1600mm Front Cover	
Part Number Numéro Pièce	Rev. 0	11 / 14

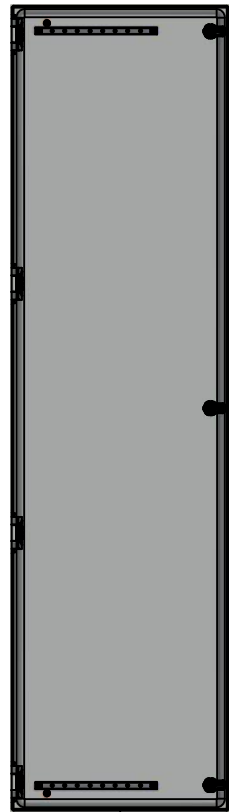
Qty	Part Number	Rev	Description
2	STK-Q-16080	0	Ground Stud M6 x 16mm
1	STK-P-03820R	0	Powder Paint (Light Grey / Rough Textured)
2	STK-Q-46020-12	5	5412 ES Vertical Door Stiffener 12"
4	STK-Q-16055	1	M6 x 18mm Stud (No Paint Cap Required)
1	6500MTU1605FD-P	0	6500MTU 460mm x 1600mm Front Cover Part
1	6500MTU1605FD-G	0	6500MTU 460mm x 1600mm Front Cover Gasket
4	STK-K-09800	10	5412 ES Hinge with 2 Captive Hinge Pins
4	STK-Q-07220	1	M6 Nylon Insert Lock Nut
3	880 SCQ4-SL	6	5412 ES 1/4 Turn Lock
Parts List			

This drawing is confidential and must not be reproduced or used without the consent of EXM

Ce dessin est confidentiel et ne doit pas être reproduit ou utilisé sans le consentement de EXM



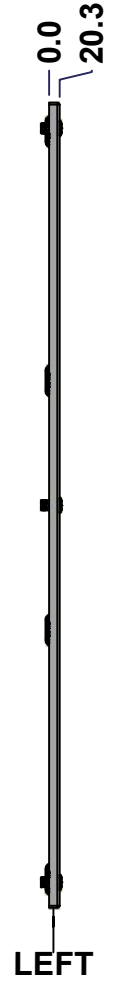
TOP



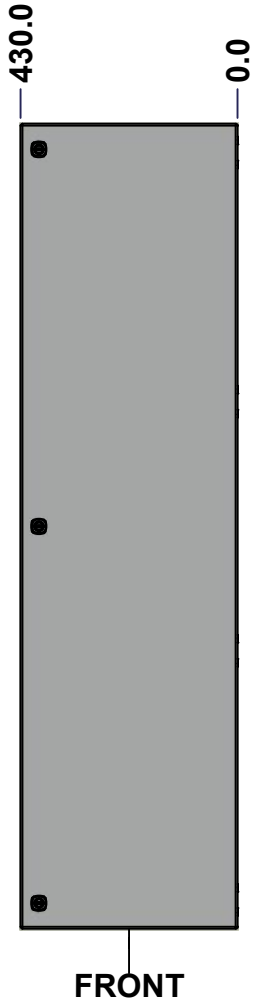
BACK



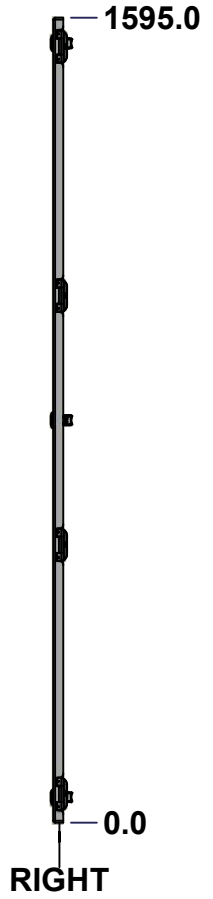
BOTTOM



LEFT



FRONT




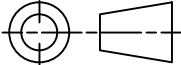
RIGHT



Isometric View



No.	Revisions	Date	By/Par

 Tél: (450) 979-4373 Fax: (450) 979-4626 <a href="http://www.exmweb.com">www.exmweb.com</a>		Flatness Aplatissement Max 3.0mm Projection 
Customer Client	Date	
Drawn By Dessiné Par	BoxCad: BoxCad	Date 7/21/2022
Material Matière	14 Ga Cold Rolled A1008 CS Type B (1.7mm)	
Color Couleur	Light Grey RAL7035	Finish Fini Rough Textured
Description 6500MTU 460mm x 1600mm Back Cover		Detail Rev.
Part Number Numéro Pièce	Rev. 0	12 14

SEE BILL OF MATERIAL ON LAST PAGE

**6500MTU1605BD**

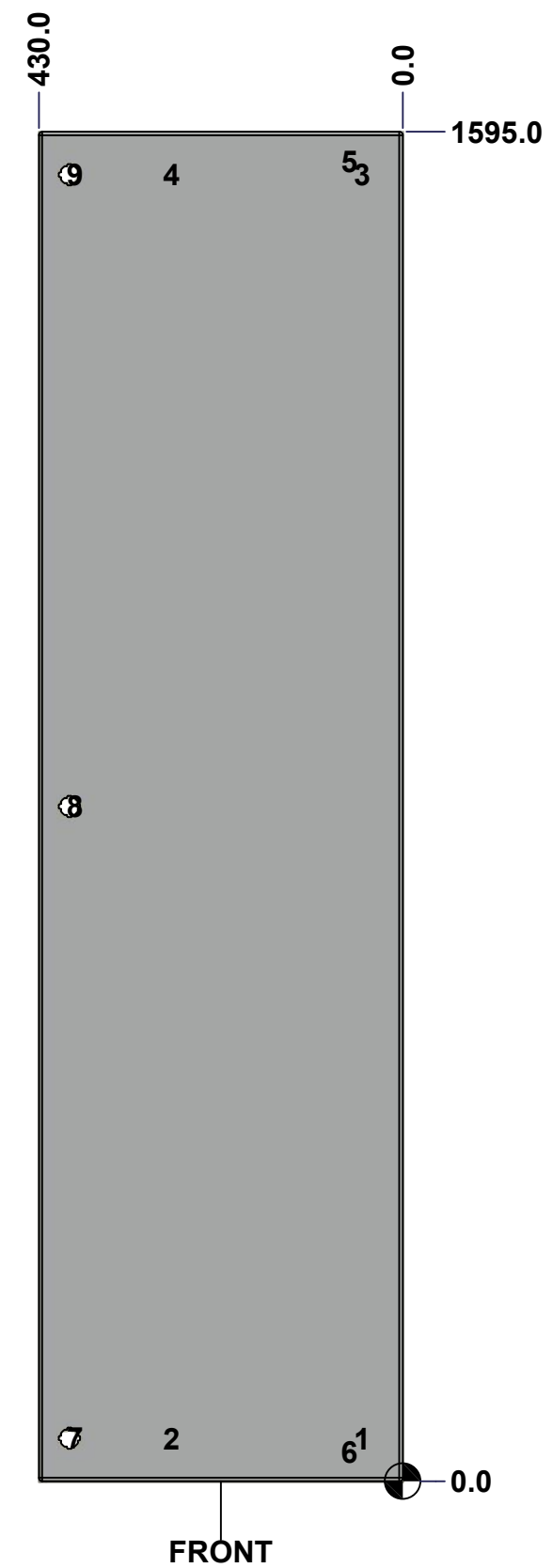
This drawing is confidential and must not be reproduced or used without the consent of EXM

Ce dessin est confidentiel et ne doit pas être reproduit ou utilisé sans le consentement de EXM

**STANDARD FEATURES ARE NOT LISTED IN THIS HOLE TABLE**

**HOLE TABLE - FRONT VIEW (CUSTOM FEATURE ONLY)**

CUT-OUT	XDIM	YDIM	DESCRIPTION
1	55.0	50.0	STUD M6 x 18mm (Inside)
2	280.0	50.0	STUD M6 x 18mm (Inside)
3	55.0	1545.0	STUD M6 x 18mm (Inside)
4	280.0	1545.0	STUD M6 x 18mm (Inside)
-----			
5	70.0	1560.0	GND STUD M6 x 16mm (Inside)
6	70.0	35.0	GND STUD M6 x 16mm (Inside)
7	393.8	50.8	LOCK 880 SCQ4-SL @ 90.0°
8	393.8	797.5	LOCK 880 SCQ4-SL @ 90.0°
9	393.8	1544.2	LOCK 880 SCQ4-SL @ 90.0°

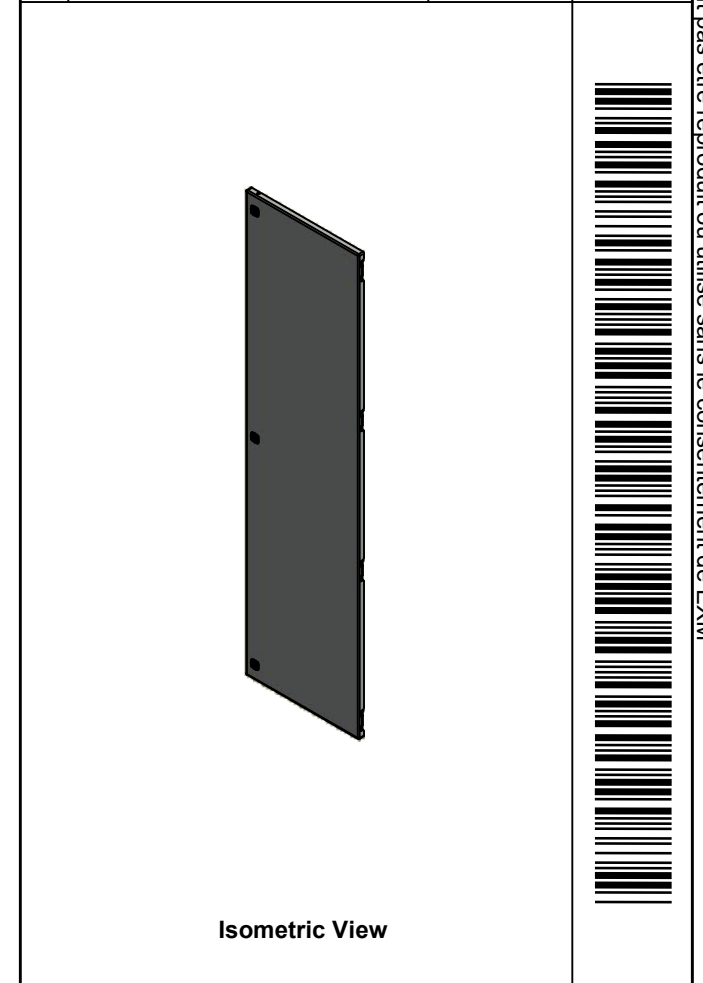


	Description	Status
	6500MTU 460mm x 1600mm Back Cover	(NULL)
	Part Number Numéro Pièce	Rev.
	<b>6500MTU1605BD</b>	<b>0</b>
		13
		14

This drawing is confidential and must not be reproduced or used without the consent of EXM

Ce dessin est confidentiel et ne doit pas être reproduit ou utilisé sans le consentement de EXM

No.	Revisions	Date	By/Par



**EXM**  
www.exmweb.com

Tél: (450) 979-4373  
Fax: (450) 979-4626

Flatness  
Aplatissement  
Max 3.0mm

Projection

Customer Client	Date
Drawn By Dessiné Par BoxCad: BoxCad	Date 7/21/2022
Material Matière 14 Ga Cold Rolled A1008 CS Type B (1.7mm)	

Color Couleur Light Grey RAL7035	Finish Fini Rough Textured
Description 6500MTU 460mm x 1600mm Back Cover	

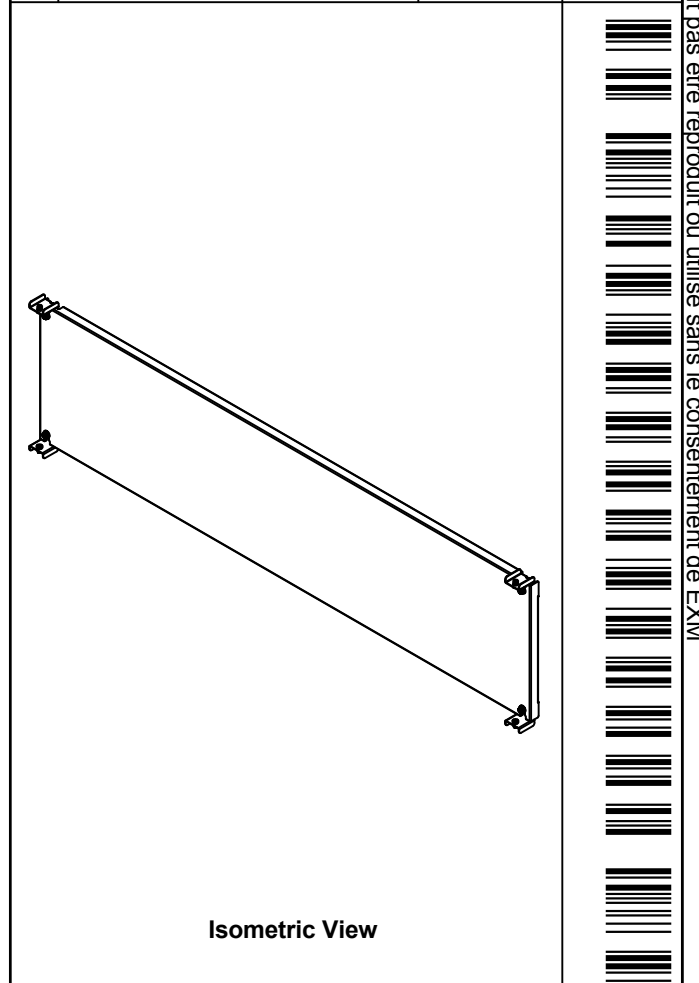
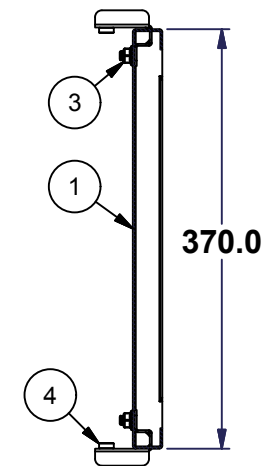
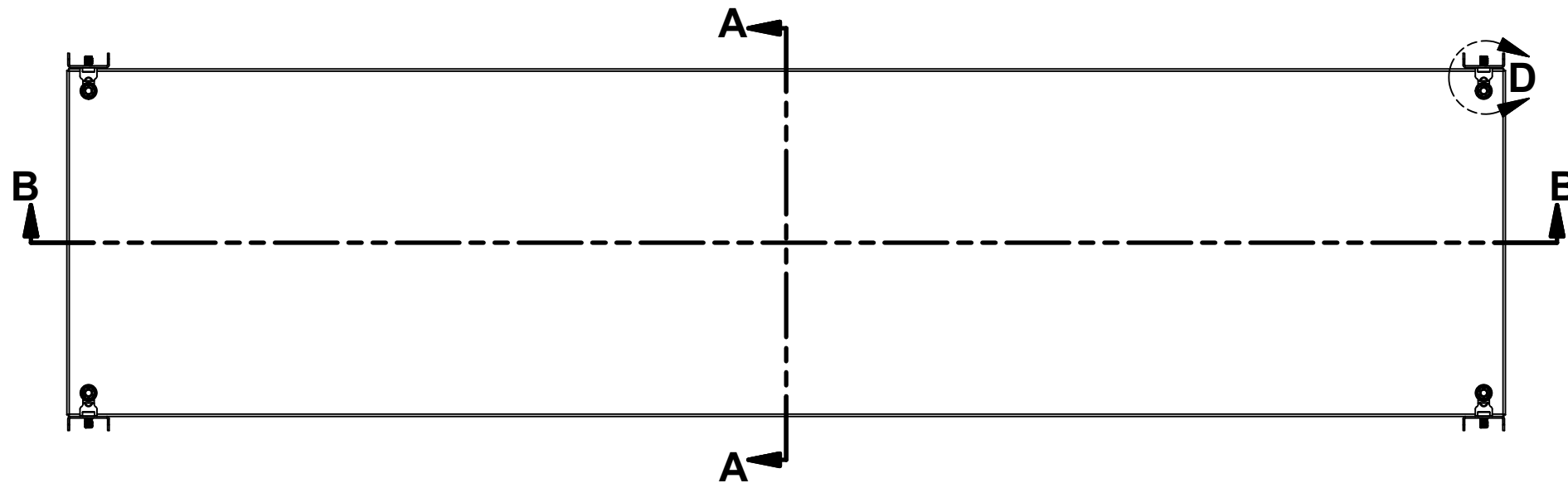
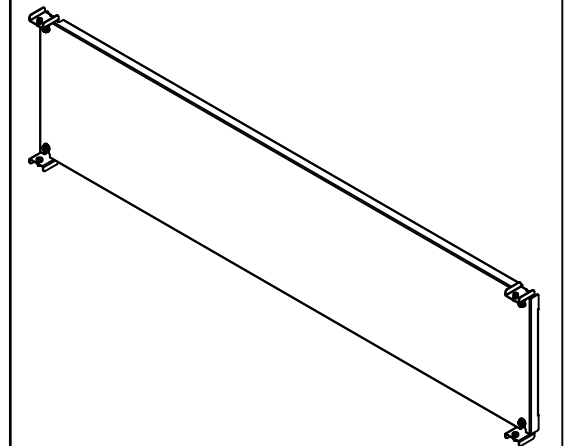
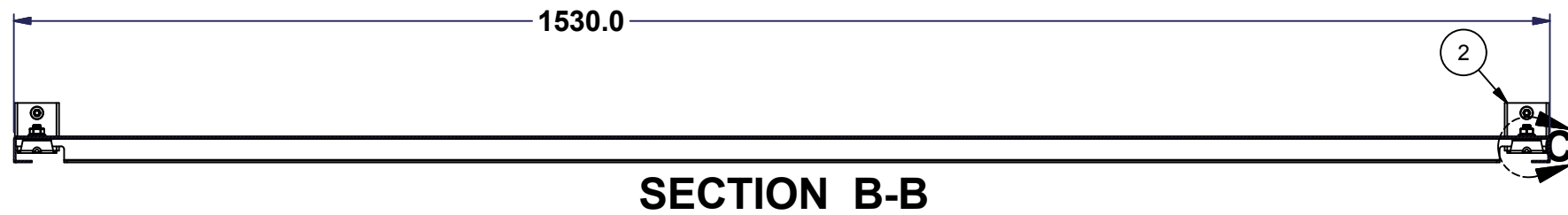
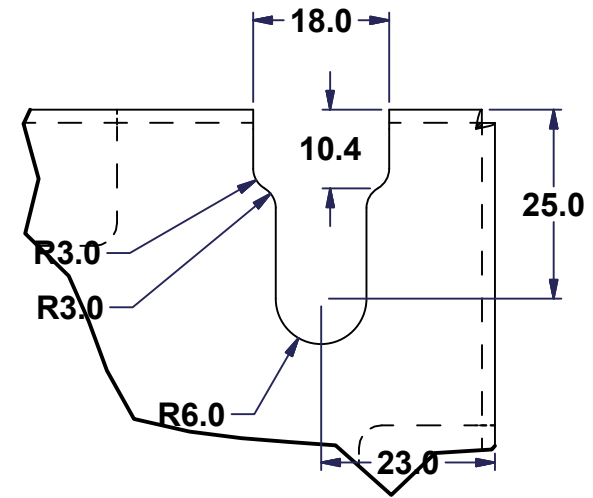
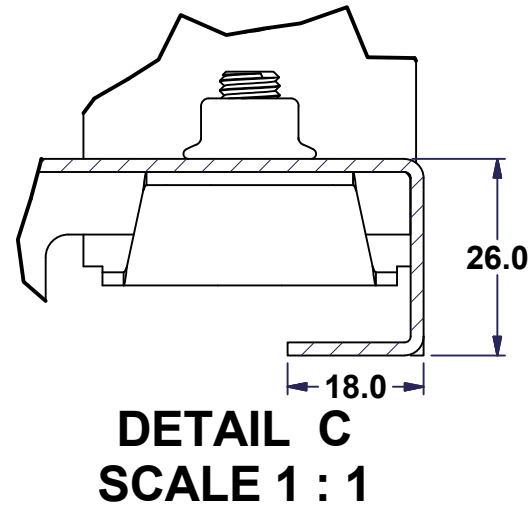
Qty	Part Number	Rev	Description
2	STK-Q-16080	0	Ground Stud M6 x 16mm
1	STK-P-03820R	0	Powder Paint (Light Grey / Rough Textured)
2	STK-Q-46020-12	5	5412 ES Vertical Door Stiffener 12"
4	STK-Q-16055	1	M6 x 18mm Stud (No Paint Cap Required)
1	6500MTU1605BD-P	0	6500MTU 460mm x 1600mm Back Cover Part
1	6500MTU1605BD-G	0	6500MTU 460mm x 1600mm Back Cover Gasket
4	STK-K-09800	10	5412 ES Hinge with 2 Captive Hinge Pins
4	STK-Q-07220	1	M6 Nylon Insert Lock Nut
3	880 SCQ4-SL	6	5412 ES 1/4 Turn Lock
Parts List			

Part Number Numéro Pièce <b>6500MTU1605BD</b>	Rev. <b>0</b>	14 14
---	------------------	----------

All knockouts are actual size / Les disques défonçables sont grandeur réel

This drawing is confidential and must not be reproduced or used without the consent of EXM

Ce dessin est confidentiel et ne doit pas être reproduit ou utilisé sans le consentement de EXM



Flatness  
Aplatissement  
Max 3.0mm  
Projection

Customer Client  
Date  
Drawn By Dessiné Par Patrick Deschenes  
Date 10/12/2013

Material Matière See Part List

Color Couleur See Part List  
Finish Fini See Part List

Description  
6500 MTU16-- Inner Panel  
Detail Rev.

Part Number Numéro Pièce  
**886SP1600MTU**  
Rev. 3

Parts List							
Item	Qty	Part Number	Rev	Description	Material	Color	Finish
1	1	886SP1600MTU-P	3	Inner Panel	12 Ga Galvanized	Bright	Galvanized
2	4	STK-Q-07640	0	6500 MTU Inner Panel Support Bracket	See Part List	See Part List	See Part List
3	4	STK-Q-07310	2	Flange Lock Nut M8	Property Class 8 Steel	Bright	Zinc Plated
4	4	STK-Q-00700	2	M8 x 12mm Hex Socket Cap Screw (DIN 6912)	Property Class 8.8 Medium Carbon Steel Quenched & Tempered	Bright	Zinc Plated