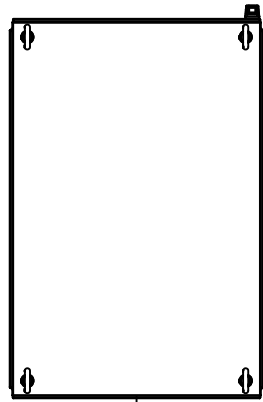
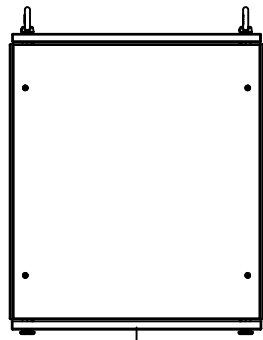


This drawing is confidential and must not be reproduced or used without the consent of EXM

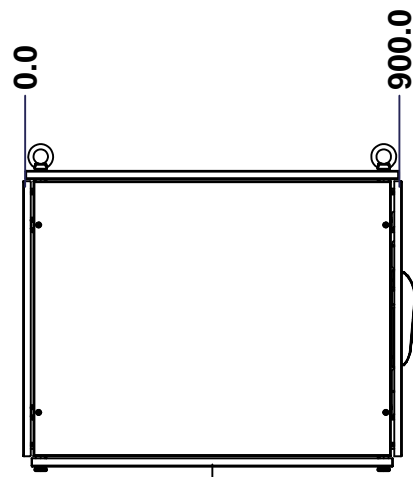
Ce dessin est confidentiel et ne doit pas être reproduit ou utilisé sans le consentement de EXM



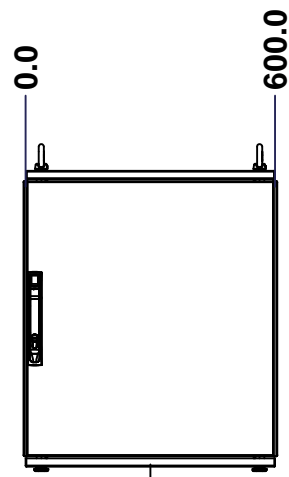
TOP



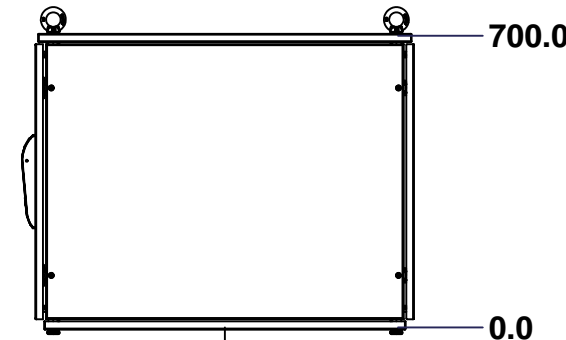
BACK



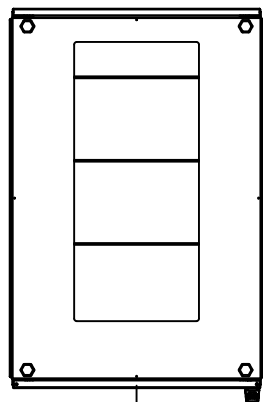
LEFT



FRONT

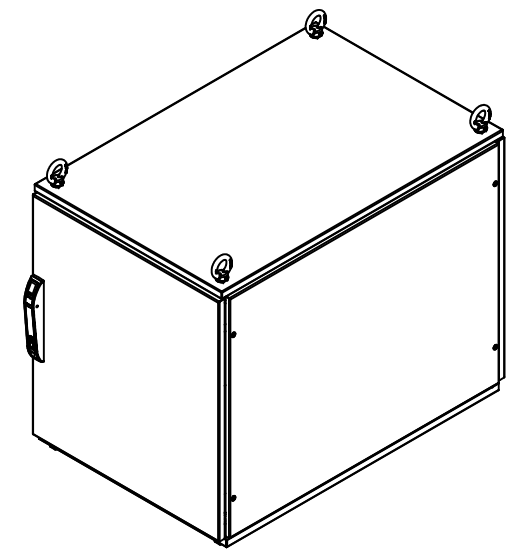


RIGHT




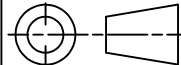
BOTTOM

No.	Revisions	Date	By/Par



Isometric View



 Tél: (450) 979-4373 Fax: (450) 979-4626 <a href="http://www.exmweb.com">www.exmweb.com</a>		Flatness Aplatissement Max 3.0mm Projection 
Customer Client		Date
Drawn By Dessiné Par	BoxCad: Annie	Date 28/01/2015
Material Matière	See Part List	
Color Couleur	See Part List	Finish Fini See Part List
Description 6500MX 700mm x 600mm x 900mm Assembly		Detail Rev.
Part Number Numéro Pièce	<b>6500MXK070609</b>	Rev. 1 0

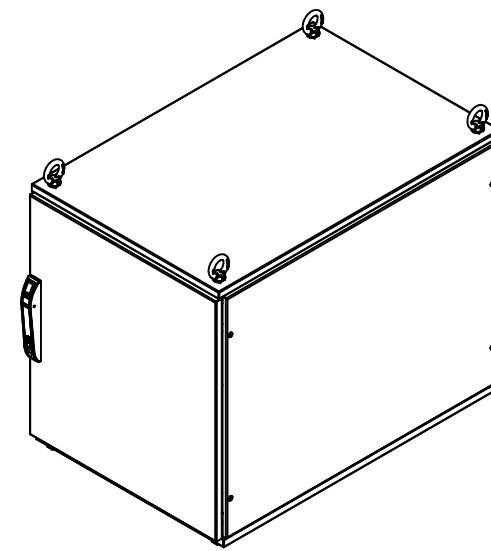
SEE BILL OF MATERIAL ON LAST PAGE

2

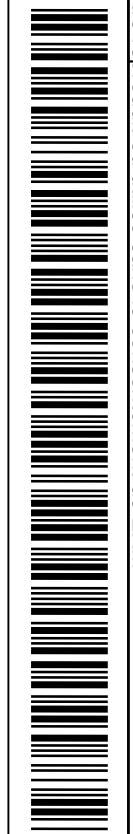
This drawing is confidential and must not be reproduced or used without the consent of EXM

Ce dessin est confidentiel et ne doit pas être reproduit ou utilisé sans le consentement de EXM

No.	Revisions	Date	By/Par



Isometric View



Tél: (450) 979-4373  
 Fax: (450) 979-4626  
[www.exmweb.com](http://www.exmweb.com)

Flatness  
Aplatissement  
Max 3.0mm  
Projection

Customer Client  
 Drawn By Dessiné Par BoxCad: Annie  
 Date 28/01/2015

Material Matière See Part List

Color Couleur See Part List  
 Finish Fini See Part List

Description 6500MX 700mm x 600mm x 900mm Assembly  
 Detail Rev.

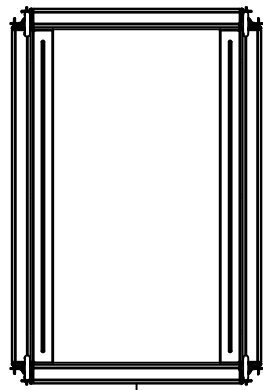
Part Number Numéro Pièce **6500MXK070609**  
 Rev. 0

1	6500MXK070609BIP	0	6500 MXM 700mm x 600mm Back Inner Panel
1	6500MXK070609R	0	6500 MXC 700mm x 900mm Right
1	6500MXK070609L	0	6500 MXC 700mm x 900mm Left
1	6500MXK070609F	0	6500 MXD 700mm x 600mm Front
1	6500MXK070609B	0	6500 MXR 700mm x 600mm Back
1	6500MXK070609BT	0	6500 MXB 600mm x 900mm Bottom
1	6500MXK070609T	0	6500 MXT 600mm x 900mm Top
1	6500MXK070609FR	0	6500 MX 700mm x 600mm x 900mm Frame
Qty	Part Number	Rev	Description
Parts List			

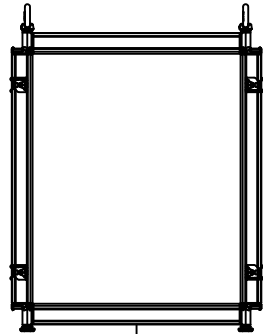
2
2

This drawing is confidential and must not be reproduced or used without the consent of EXM

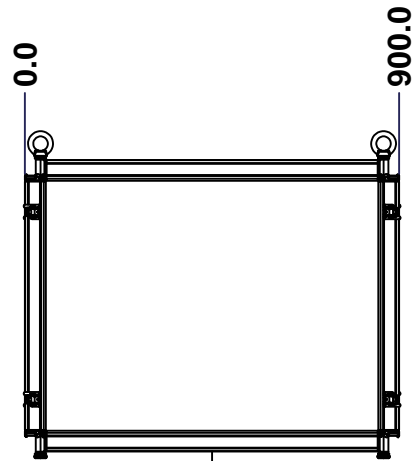
Ce dessin est confidentiel et ne doit pas être reproduit ou utilisé sans le consentement de EXM



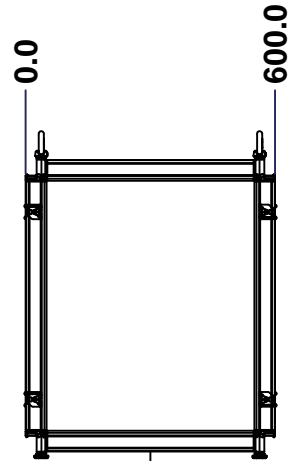
TOP



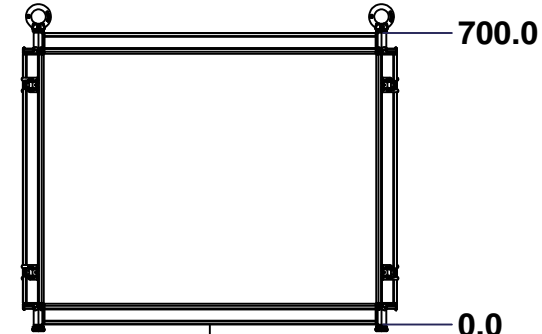
BACK



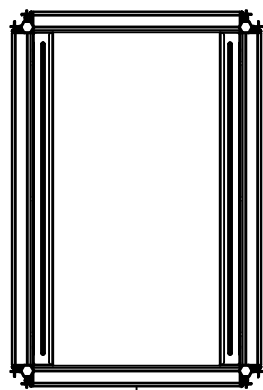
LEFT



FRONT

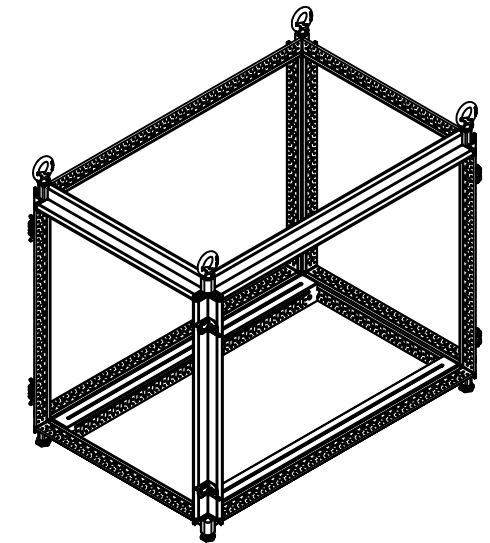


RIGHT





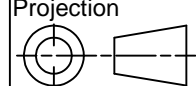
BOTTOM

No.	Revisions	Date	By/Par



Isometric View



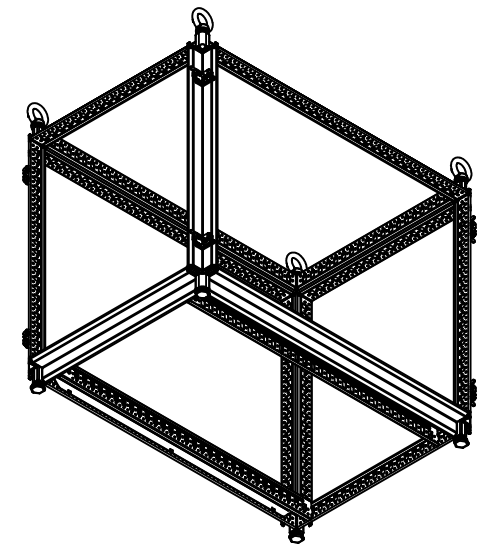
 Tél: (450) 979-4373 Fax: (450) 979-4626 <a href="http://www.exmweb.com">www.exmweb.com</a>		Flatness Aplatissement  Max 3.0mm
Customer Client		Projection 
Drawn By Dessiné Par BoxCad: Annie		Date 28/01/2015
Material Matière 16 Ga Electro-Galvanized (1.4mm)		
Color Couleur Iron Grey RAL7011	Finish Fini Rough Textured	
Description 6500 MX 700mm x 600mm x 900mm Frame		Detail Rev.
Part Number Numéro Pièce <b>6500MXK070609FR</b>		Rev. 1 0

SEE BILL OF MATERIAL ON LAST PAGE

This drawing is confidential and must not be reproduced or used without the consent of EXM

Ce dessin est confidentiel et ne doit pas être reproduit ou utilisé sans le consentement de EXM

No.	Revisions	Date	By/Par



Isometric View



Qty	Part Number	Rev	Description
1	STK-P-03810R	0	Powder Paint (Iron Grey / Rough Textured)
1	STK-Q-49070	3	6500 MXM Inner Panel Slider 900mm
1	STK-Q-49070-L	3	6500 MXM Inner Panel Slider 900mm
4	STK-Q-49500	3	M12 Eye Bolt (0.34T)
4	STK-Q-61110	0	M12 Feet Leveler
8	STK-Q-00610	1	M18 x 30.5mm Bolt - Cover
4	STK-Q-47251-07	3	6500 MX 700mm Vertical Frame Post Part
4	STK-Q-47250-06	3	6500 MX 600mm Horizontal Frame Post Part
4	STK-Q-47250-09	3	6500 MX 900mm Horizontal Frame Post Part
8	STK-Q-49445	2	6500 MX - Frame Corner Bracket Casting
8	STK-K-11001	2	3 Way Fixed Bracket Kit
Parts List			

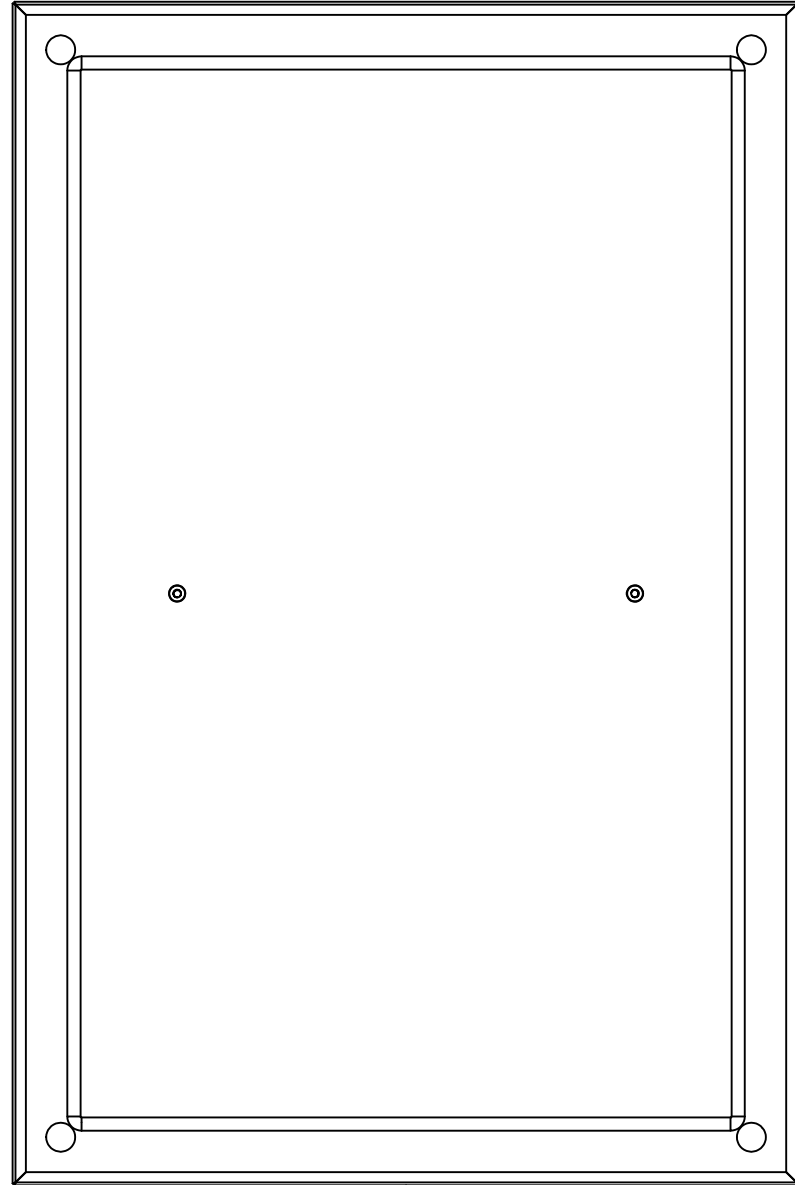
		Tél: (450) 979-4373 Fax: (450) 979-4626 <a href="http://www.exmweb.com">www.exmweb.com</a>		Flatness Aplatissement Max 3.0mm	
Customer Client		Drawn By Dessiné Par BoxCad: Annie		Projection 	
Date		Date 28/01/2015		Material Matière 16 Ga Electro-Galvanized (1.4mm)	
Color Couleur Iron Grey RAL7011		Finish Fini Rough Textured		Description 6500 MX 700mm x 600mm x 900mm Frame	
Part Number Numéro Pièce <b>6500MXK070609FR</b>		Rev. 0		Detail Rev. 2	

This drawing is confidential and must not be reproduced or used without the consent of EXM

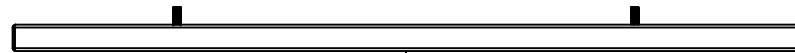
Ce dessin est confidentiel et ne doit pas être reproduit ou utilisé sans le consentement de EXM



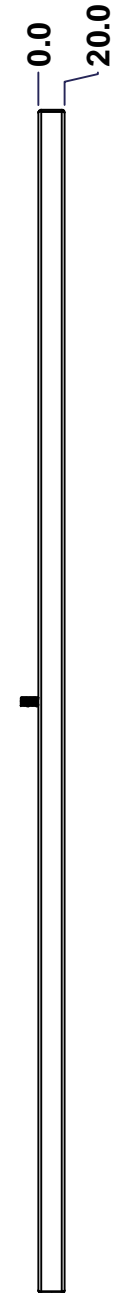
TOP



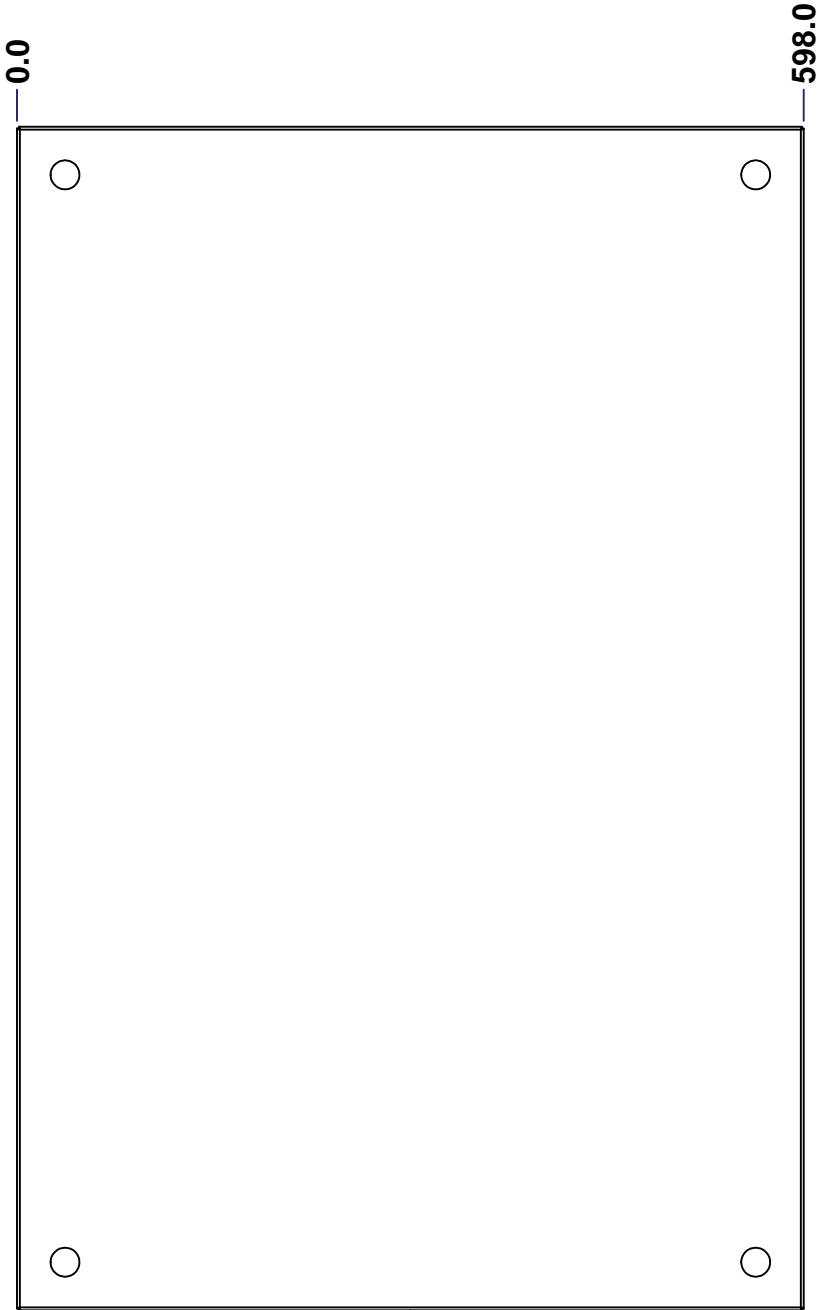
BACK



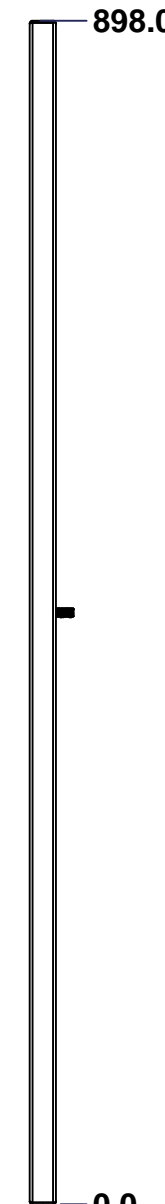
BOTTOM



LEFT

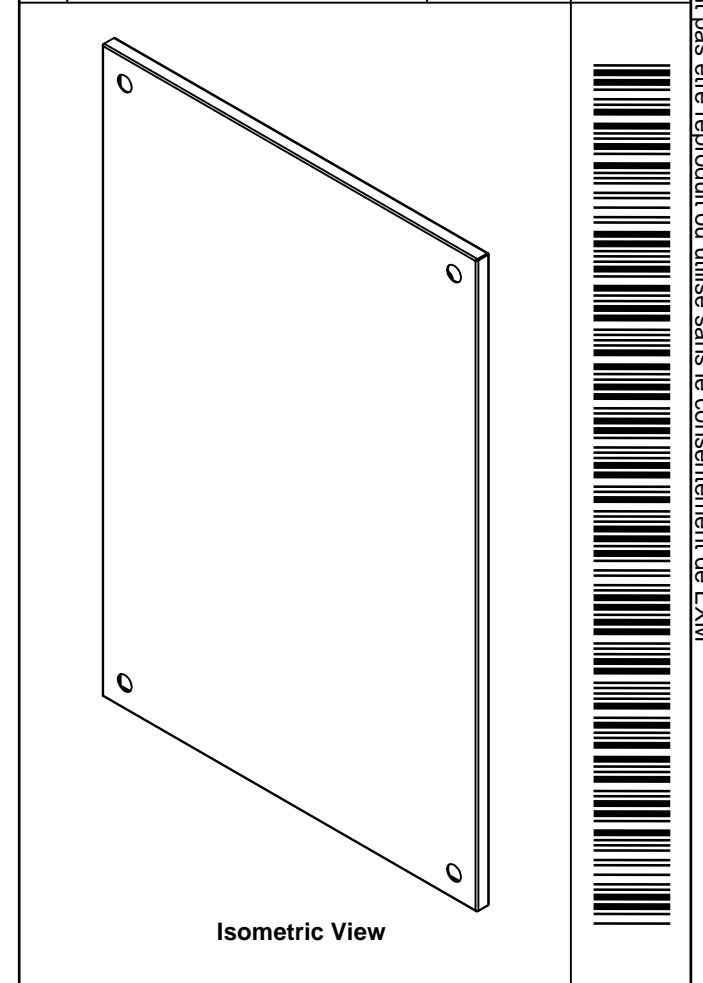



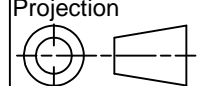
FRONT



RIGHT

No.	Revisions	Date	By/Par



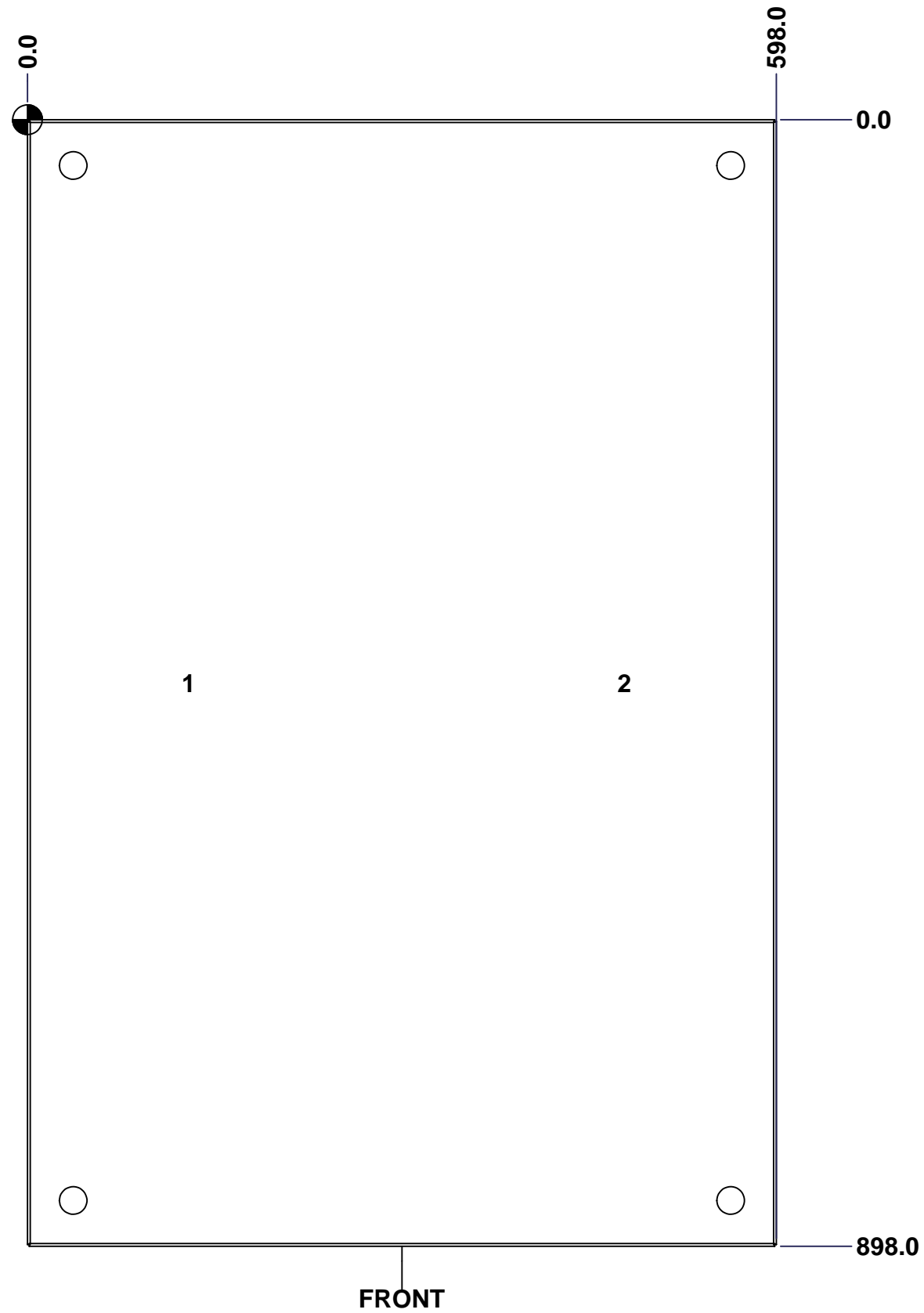
 Tél: (450) 979-4373 Fax: (450) 979-4626 <a href="http://www.exmweb.com">www.exmweb.com</a>		Flatness Aplatissement Max 3.0mm	
		Projection 	
Customer Client		Date	
Drawn By Dessiné Par BoxCad: Annie		Date 28/01/2015	
Material Matière		16 Ga H.R.P. & O. (1.4mm)	
Color Couleur	Iron Grey RAL7011	Finish Fini	Rough Textured
Description		Detail Rev.	
6500 MXT 600mm x 900mm Top			
Part Number Numéro Pièce		Rev.	1
6500MXK070609T		0	3

SEE BILL OF MATERIAL ON LAST PAGE

This drawing is confidential and must not be reproduced or used without the consent of EXM

Ce dessin est confidentiel et ne doit pas être reproduit ou utilisé sans le consentement de EXM

STANDARD FEATURES ARE NOT LISTED IN THIS HOLE TABLE			
HOLE TABLE - FRONT VIEW (CUSTOM FEATURE ONLY)			
CUT-OUT	XDIM	YDIM	DESCRIPTION
1	125.0	449.0	GND STUD M6 x 16mm (Inside)
2	473.0	449.0	GND STUD M6 x 16mm (Inside)



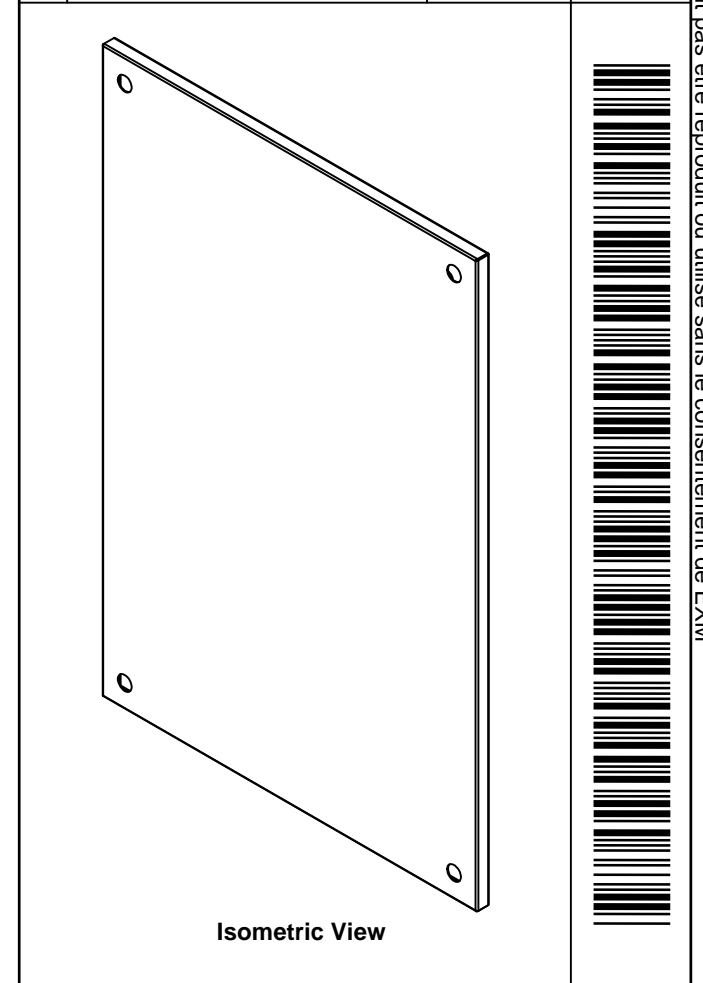
FRONT

	Description 6500 MXT 600mm x 900mm Top	Status (NULL)
	Part Number Numéro Pièce <b>6500MXK070609T</b>	Rev. 2 <b>0</b> / 3

This drawing is confidential and must not be reproduced or used without the consent of EXM

Ce dessin est confidentiel et ne doit pas être reproduit ou utilisé sans le consentement de EXM

No.	Revisions	Date	By/Par

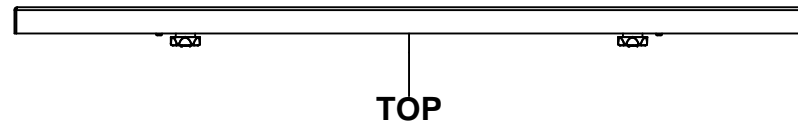


Tél: (450) 979-4373 Fax: (450) 979-4626 <a href="http://www.exmweb.com">www.exmweb.com</a>		Flatness Aplatissement	
		Max 3.0mm Projection	
Customer Client		Date	
Drawn By Dessiné Par		Date	
BoxCad: Annie		28/01/2015	
Material Matière			
16 Ga H.R.P. & O. (1.4mm)			
Color Couleur		Finish Fini	
Iron Grey RAL7011		Rough Textured	
Description			Detail Rev.
6500 MXT 600mm x 900mm Top			
Part Number Numéro Pièce		Rev.	3
<b>6500MXK070609T</b>		<b>0</b>	<b>3</b>

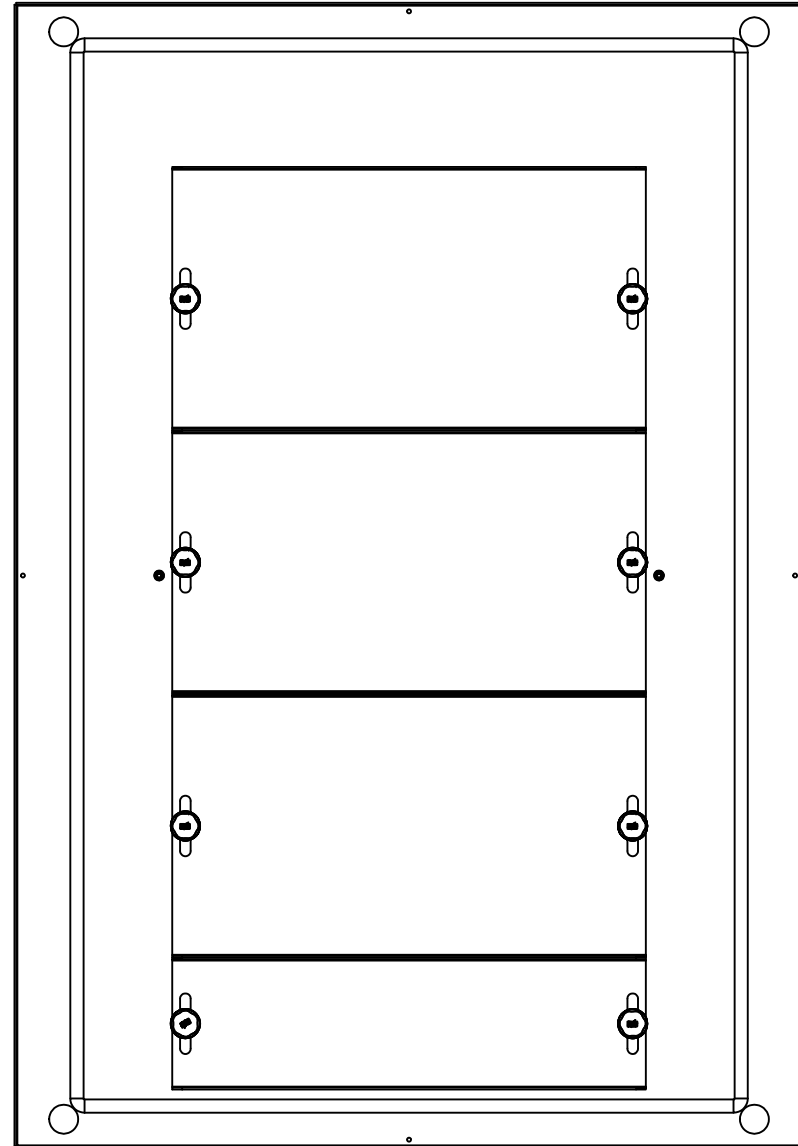
Qty	Part Number	Rev	Description
1	STK-P-03810R	0	Powder Paint (Iron Grey / Rough Textured)
2	STK-Q-16080	0.1.1	M6 x 16mm Ground Stud
1	6500MXK070609TG	0	6500 MXT 600mm x 900mm Top Gasket
1	6500MXK070609T-P	0	6500 MXT 600mm x 900mm Top Part
Parts List			

This drawing is confidential and must not be reproduced or used without the consent of EXM

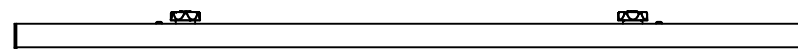
Ce dessin est confidentiel et ne doit pas être reproduit ou utilisé sans le consentement de EXM



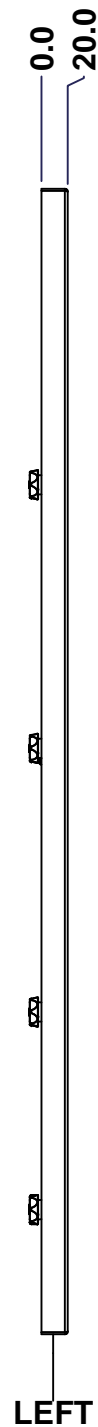
TOP



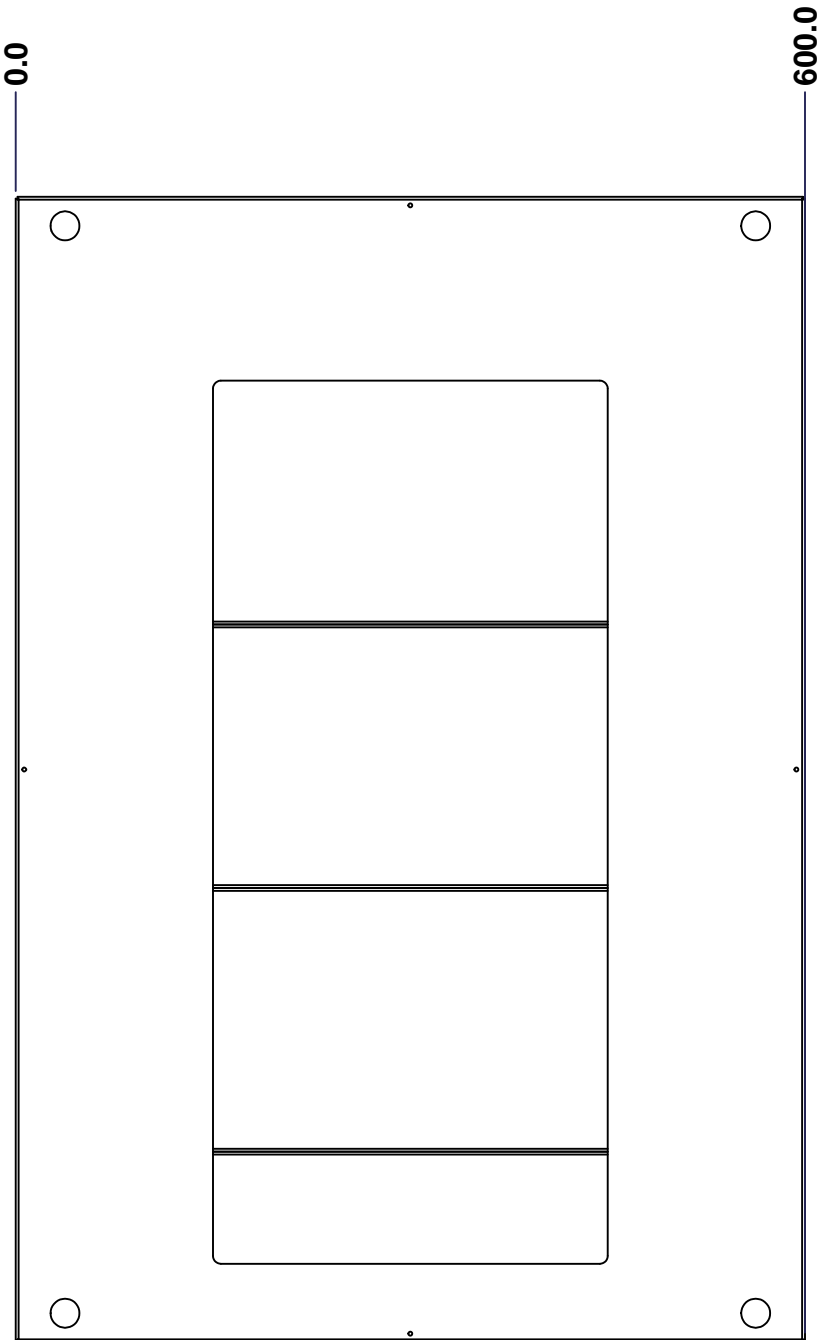
BACK



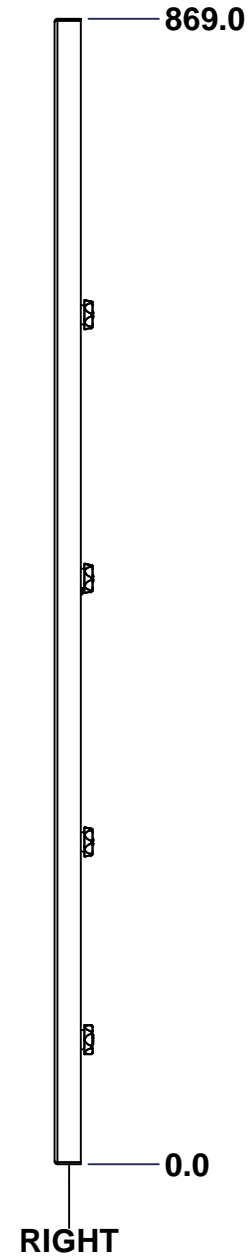
BOTTOM



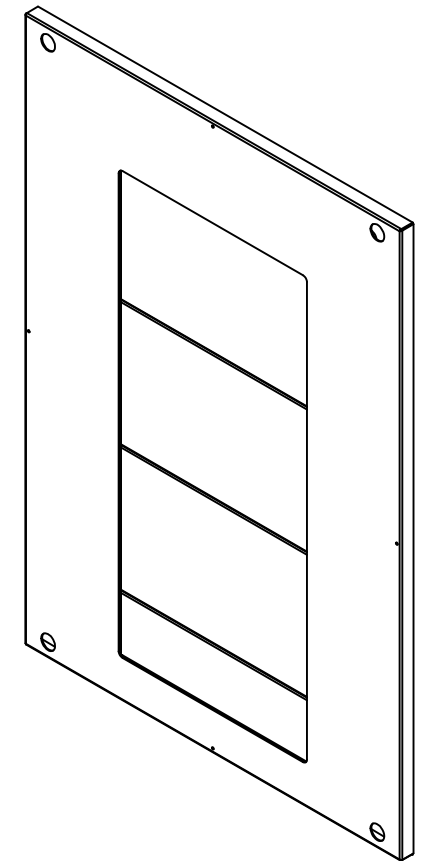
LEFT



FRONT




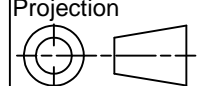
RIGHT



Isometric View



No.	Revisions	Date	By/Par

 Tél: (450) 979-4373 Fax: (450) 979-4626 <a href="http://www.exmweb.com">www.exmweb.com</a>		Flatness Aplatissement Max 3.0mm Projection 
Customer Client	Date	
Drawn By Dessiné Par	BoxCad: Annie	Date 28/01/2015
Material Matière	16 Ga H.R.P. & O. (1.4mm)	
Color Couleur	Iron Grey RAL7011	Finish Fini
Description		Detail Rev.
6500 MXB 600mm x 900mm Bottom		
Part Number Numéro Pièce	Rev.	
<b>6500MXK070609BT</b>	<b>0</b>	1 / 3

SEE BILL OF MATERIAL ON LAST PAGE



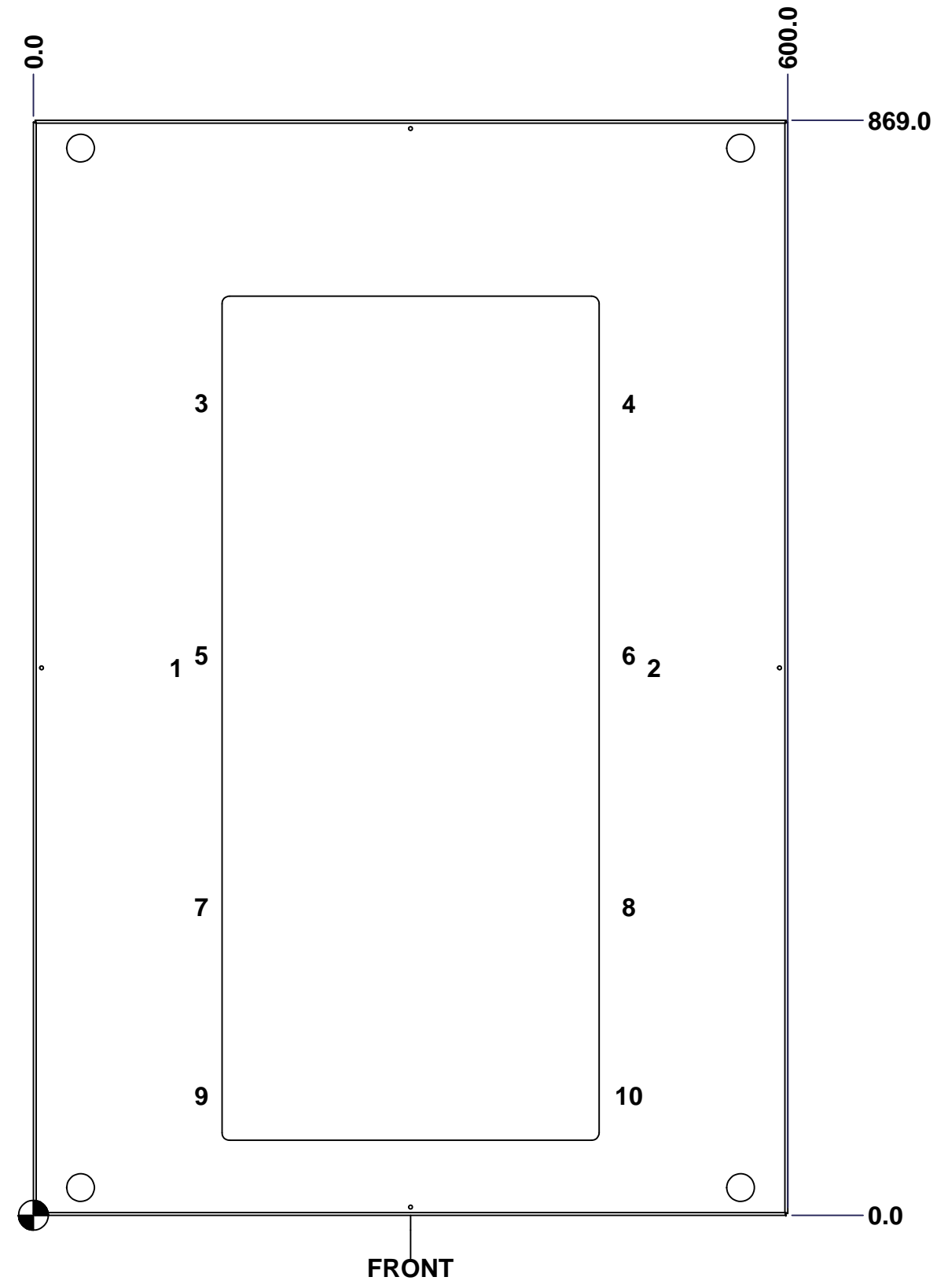
This drawing is confidential and must not be reproduced or used without the consent of EXM

Ce dessin est confidentiel et ne doit pas être reproduit ou utilisé sans le consentement de EXM

**STANDARD FEATURES ARE NOT LISTED IN THIS HOLE TABLE**

**HOLE TABLE - FRONT VIEW (CUSTOM FEATURE ONLY)**

CUT-OUT	XDIM	YDIM	DESCRIPTION
1	110.0	434.5	GND STUD M6 x 16mm (Inside)
2	490.0	434.5	GND STUD M6 x 16mm (Inside)
3	130.0	644.5	GP STUD M6 x 10mm (Inside)
4	470.0	644.5	GP STUD M6 x 10mm (Inside)
5	130.0	444.5	GP STUD M6 x 10mm (Inside)
6	470.0	444.5	GP STUD M6 x 10mm (Inside)
7	130.0	244.5	GP STUD M6 x 10mm (Inside)
8	470.0	244.5	GP STUD M6 x 10mm (Inside)
9	130.0	94.5	GP STUD M6 x 10mm (Inside)
10	470.0	94.5	GP STUD M6 x 10mm (Inside)

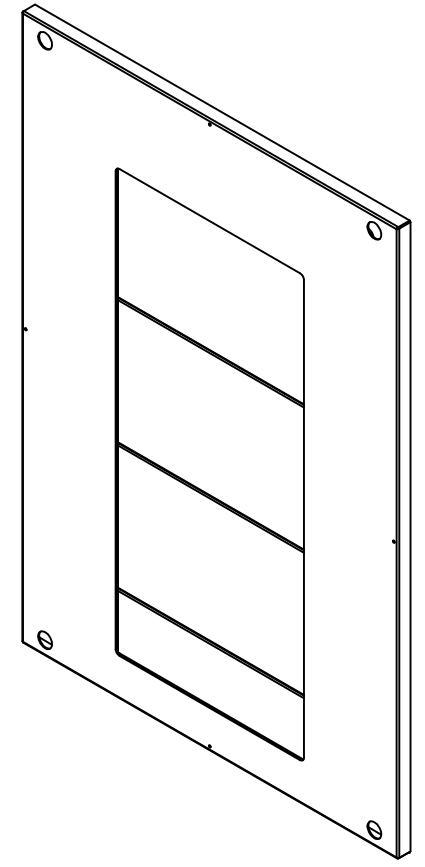


	Description	Status
	6500 MXB 600mm x 900mm Bottom	(NULL)
	Part Number	Rev.
	Numéro Pièce	2
	<b>6500MXK070609BT</b>	<b>0</b>
		3

This drawing is confidential and must not be reproduced or used without the consent of EXM


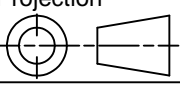
Ce dessin est confidentiel et ne doit pas être reproduit ou utilisé sans le consentement de EXM

No.	Revisions	Date	By/Par



Isometric View

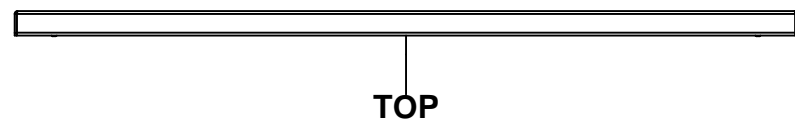


 Tél: (450) 979-4373 Fax: (450) 979-4626 <a href="http://www.exmweb.com">www.exmweb.com</a>		Flatness Aplatissement Max 3.0mm Projection 
Customer Client	Date	Date 28/01/2015
Drawn By Dessiné Par	BoxCad: Annie	
Material Matière	16 Ga H.R.P. & O. (1.4mm)	
Color Couleur	Iron Grey RAL7011	Finish Fini Rough Textured
Description	Detail Rev.	
6500 MXB 600mm x 900mm Bottom		
Part Number Numéro Pièce	Rev.	3
<b>6500MXK070609BT</b>	<b>0</b>	<b>3</b>

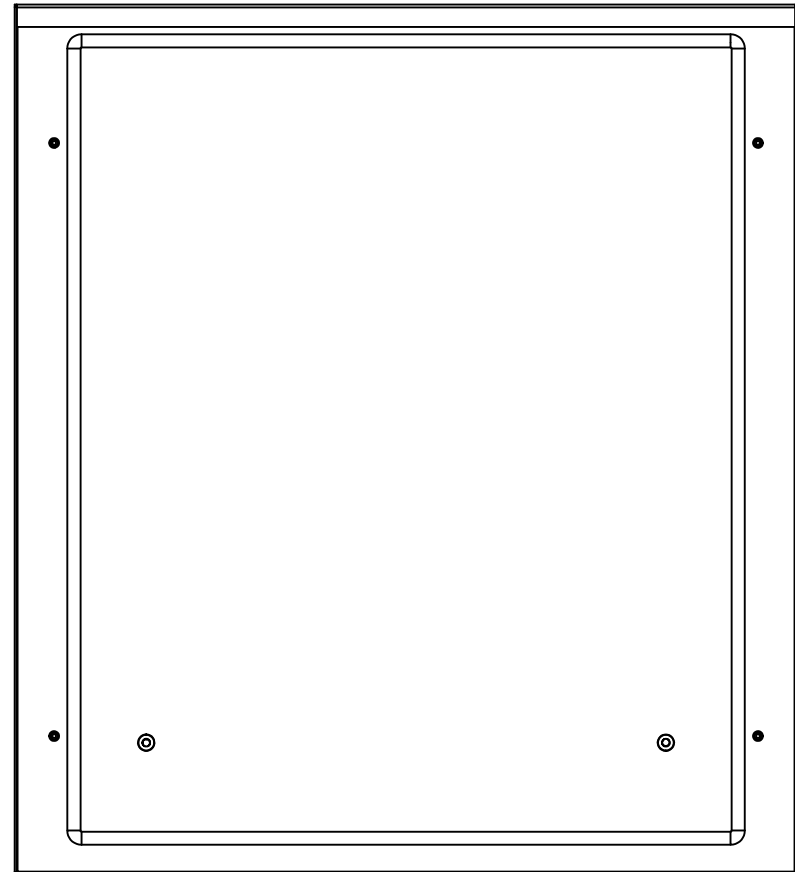
Qty	Part Number	Rev	Description
1	STK-P-03810R	0	Powder Paint (Iron Grey / Rough Textured)
8	STK-Q-06001	0	Mtrx - Gland Plate M6 Plastic Thumb Nut
2	STK-Q-16055	1	M6 x 18mm Stud (No Paint Cap Required)
1	6500MXK070609GP100-P	0	6500 MXB 600mm Gland Plate Part (100mm)
3	6500MXK070609GP200-P	0	6500 MXB 600mm Gland Plate Part (200mm)
8	STK-Q-16031	0	M6 x 10mm Stud (No Paint Cap Required)
1	6500MXK070609BTGPG	0	6500 MXB 600mm x 900mm Bottom Gland Plate Gasket
1	6500MXK070609BTG	0	6500 MXB 600mm x 900mm Bottom Gasket
1	6500MXK070609BT-P	0	6500 MXB 600mm x 900mm Bottom Part
Parts List			

This drawing is confidential and must not be reproduced or used without the consent of EXM

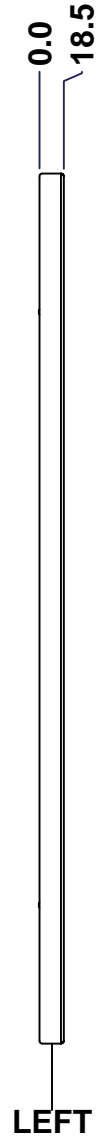
Ce dessin est confidentiel et ne doit pas être reproduit ou utilisé sans le consentement de EXM



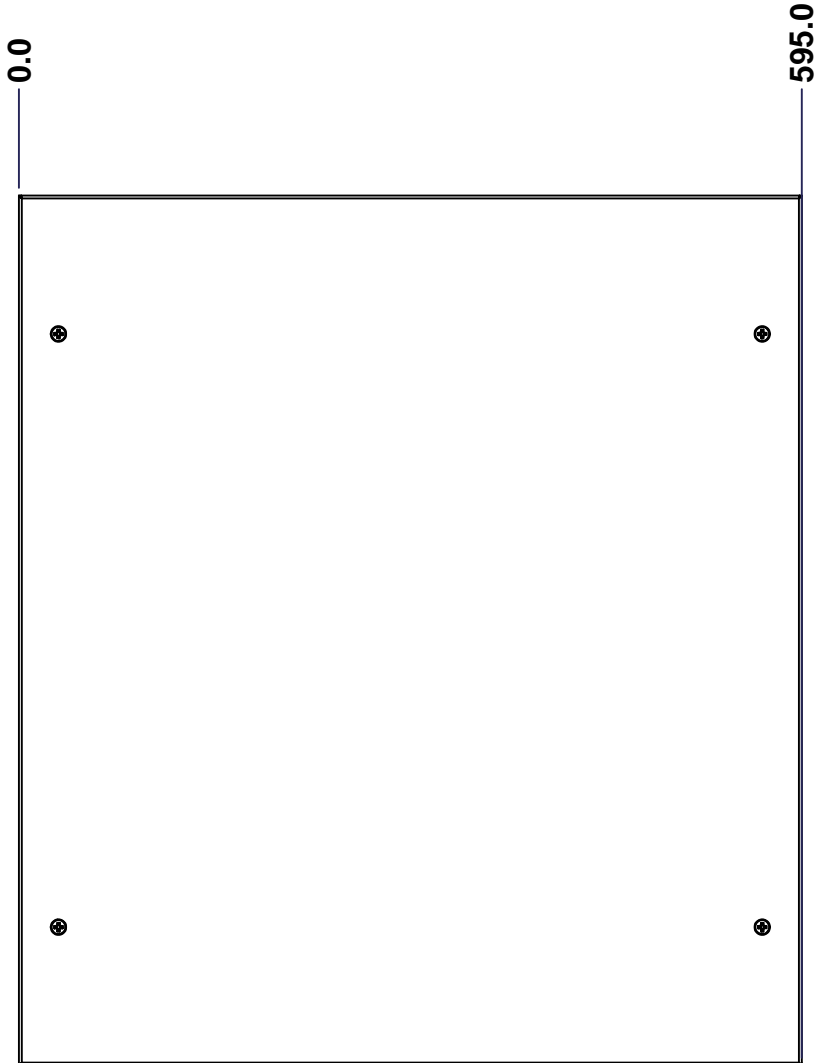
TOP



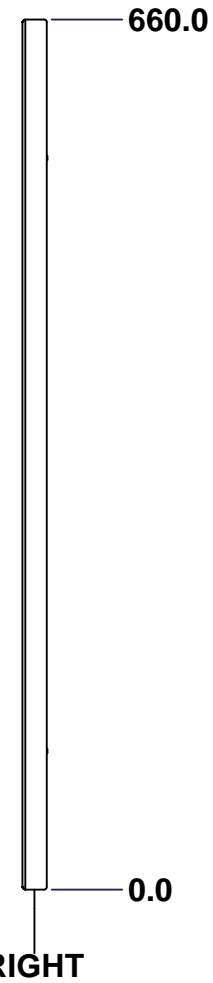
BACK



LEFT



FRONT

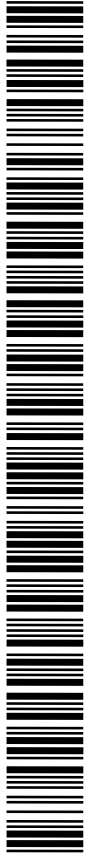
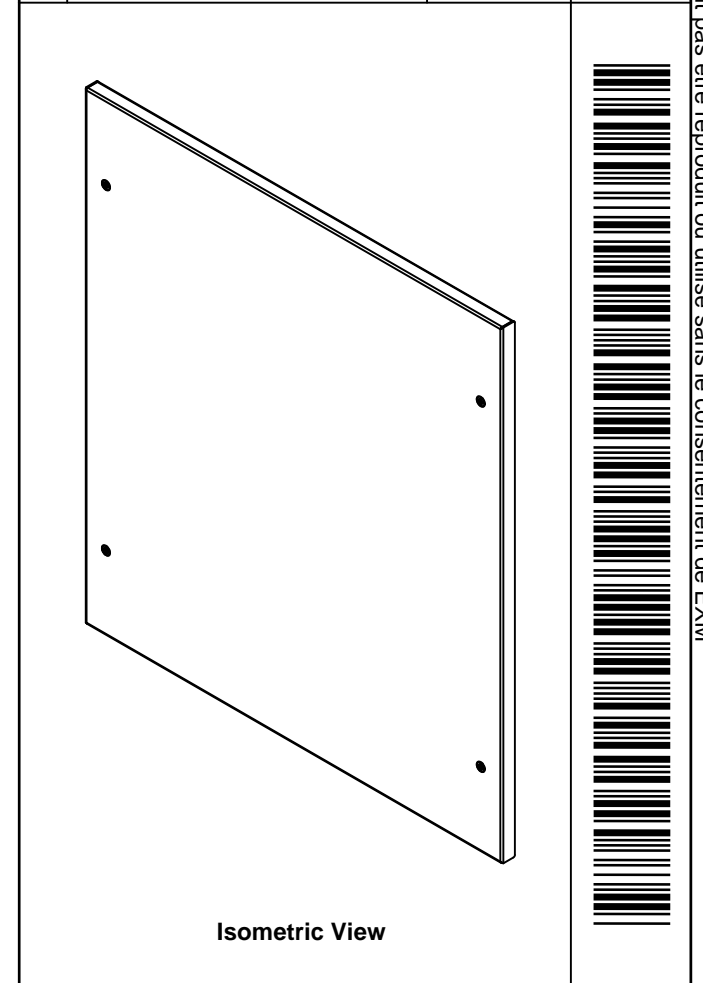



RIGHT



BOTTOM

No.	Revisions	Date	By/Par



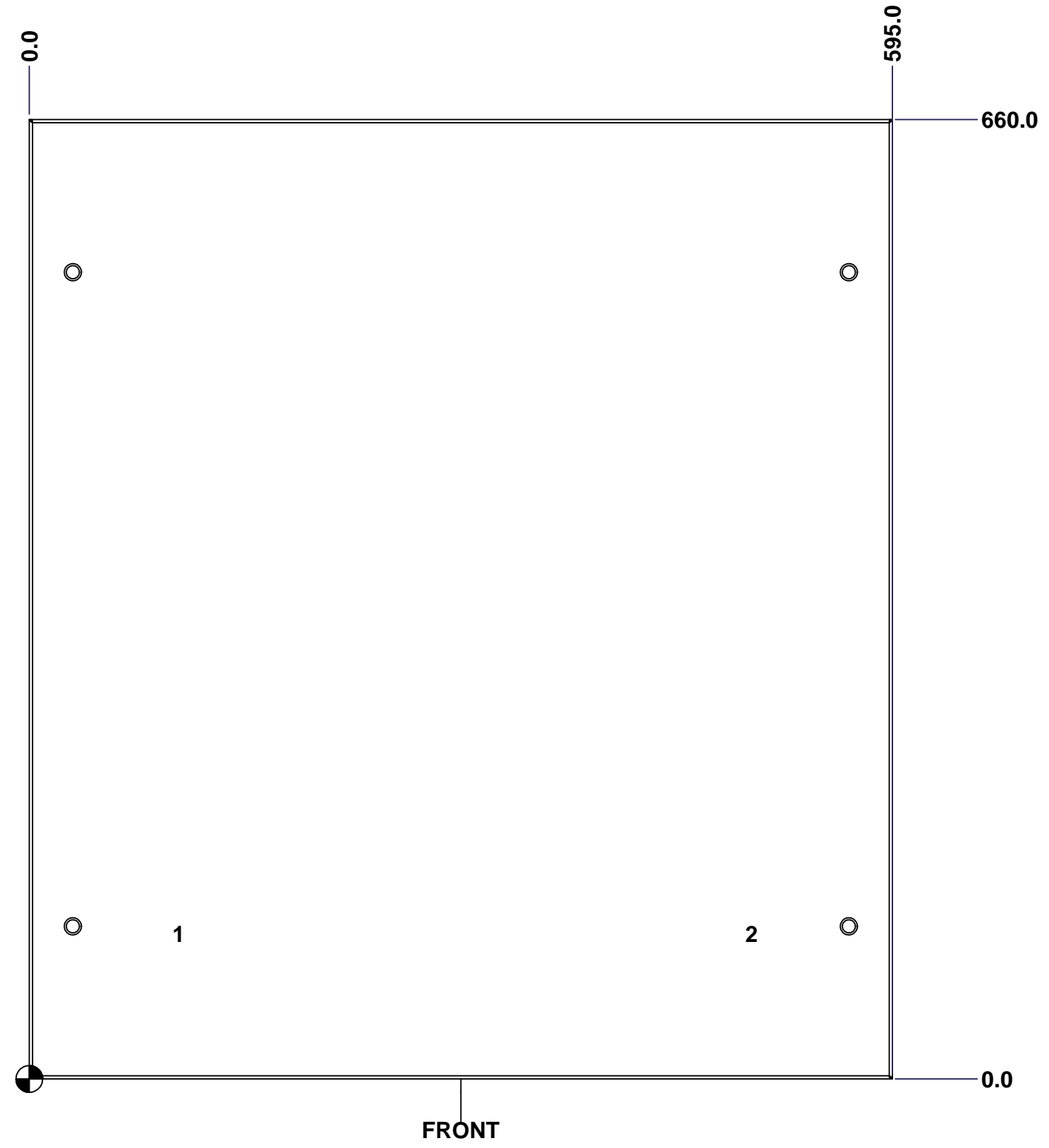
 Tél: (450) 979-4373 Fax: (450) 979-4626 <a href="http://www.exmweb.com">www.exmweb.com</a>		Flatness Aplatissement	
		Max 3.0mm	
Customer Client		Date	
Drawn By Dessiné Par BoxCad: Annie		Date 28/01/2015	
Material Matière 16 Ga H.R.P. & O. (1.4mm)			
Color Couleur Light Grey RAL7035		Finish Fini Rough Textured	
Description 6500 MXR 700mm x 600mm Back			Detail Rev.
Part Number Numéro Pièce <b>6500MXK070609B</b>		Rev. <b>0</b>	1 3

SEE BILL OF MATERIAL ON LAST PAGE

This drawing is confidential and must not be reproduced or used without the consent of EXM

Ce dessin est confidentiel et ne doit pas être reproduit ou utilisé sans le consentement de EXM

STANDARD FEATURES ARE NOT LISTED IN THIS HOLE TABLE			
HOLE TABLE - FRONT VIEW (CUSTOM FEATURE ONLY)			
CUT-OUT	XDIM	YDIM	DESCRIPTION
1	100.0	100.0	GND STUD M6 x 16mm (Inside)
2	495.0	100.0	GND STUD M6 x 16mm (Inside)

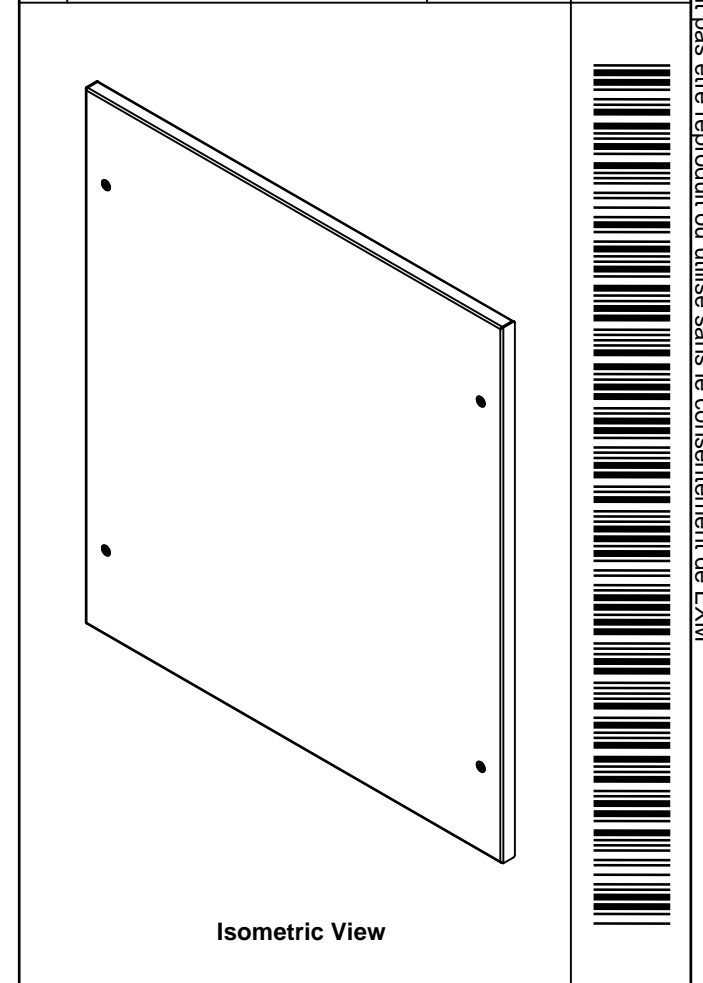


	Description	Status
	6500 MXR 700mm x 600mm Back	(NULL)
	Part Number Numéro Pièce	Rev.
	<b>6500MXK070609B</b>	<b>0</b>
		2
		3

This drawing is confidential and must not be reproduced or used without the consent of EXM

Ce dessin est confidentiel et ne doit pas être reproduit ou utilisé sans le consentement de EXM

No.	Revisions	Date	By/Par

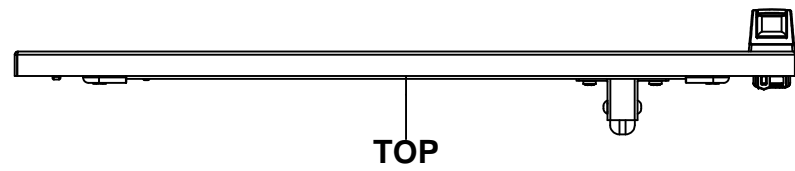


Tél: (450) 979-4373 Fax: (450) 979-4626 <a href="http://www.exmweb.com">www.exmweb.com</a>		Flatness Aplatissement	
		Max 3.0mm Projection	
Customer Client		Date	
Drawn By Dessiné Par BoxCad: Annie		Date 28/01/2015	
Material Matière 16 Ga H.R.P. & O. (1.4mm)			
Color Couleur Light Grey RAL7035		Finish Fini Rough Textured	
Description 6500 MXR 700mm x 600mm Back			Detail Rev.
Part Number Numéro Pièce <b>6500MXK070609B</b>			Rev. 3

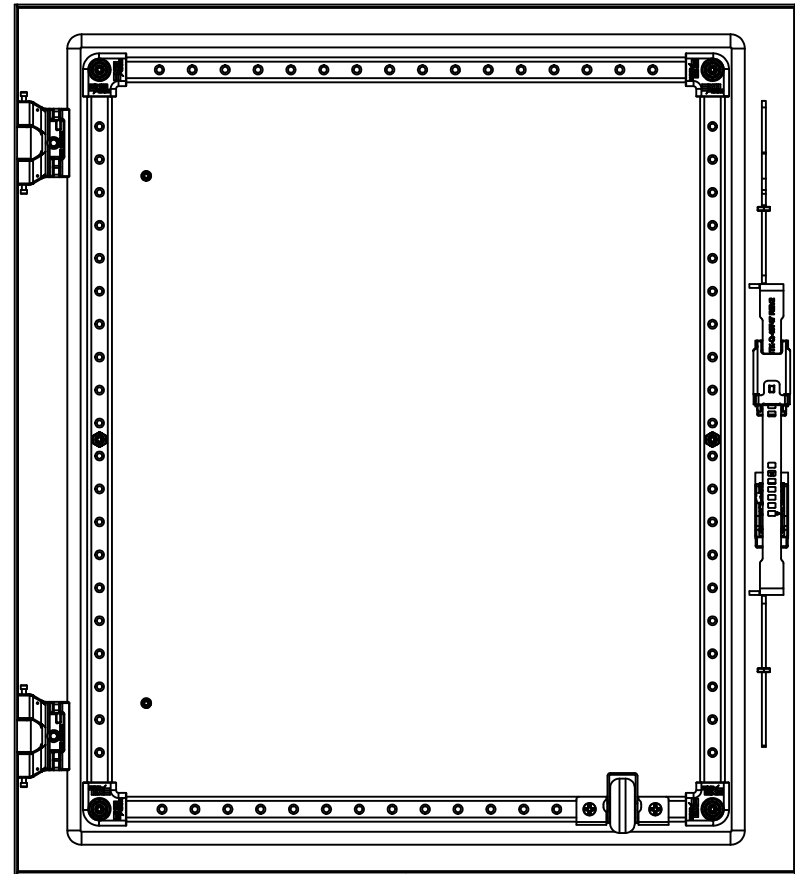
Qty	Part Number	Rev	Description
1	STK-P-03820R	0	Powder Paint (Light Grey / Rough Textured)
4	STK-Q-03072	2	M6 x 17mm Phillips Flat Head Screw
2	STK-Q-16080	0.1.1	M6 x 16mm Ground Stud
1	6500MXK070609BG	0	6500 MXR 700mm x 600mm Back Gasket
1	6500MXK070609B-P	0	6500 MXR 700mm x 600mm Back Part
Parts List			

This drawing is confidential and must not be reproduced or used without the consent of EXM

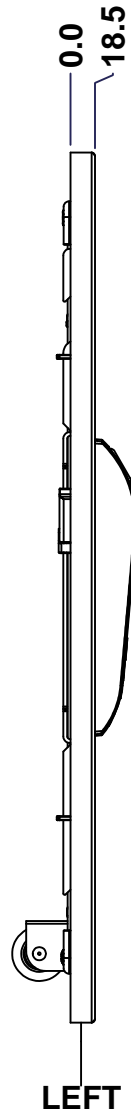
Ce dessin est confidentiel et ne doit pas être reproduit ou utilisé sans le consentement de EXM



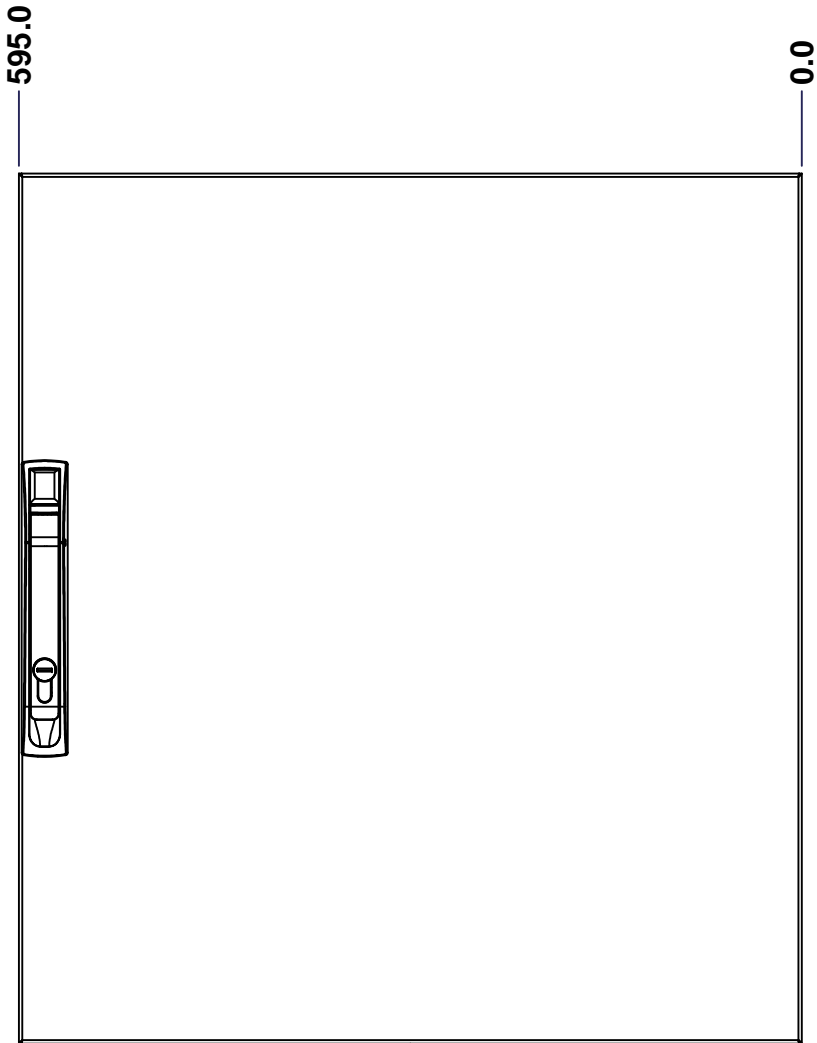
TOP



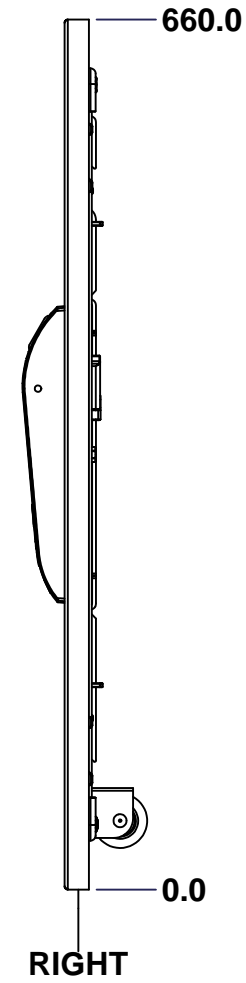
BACK



LEFT



FRONT

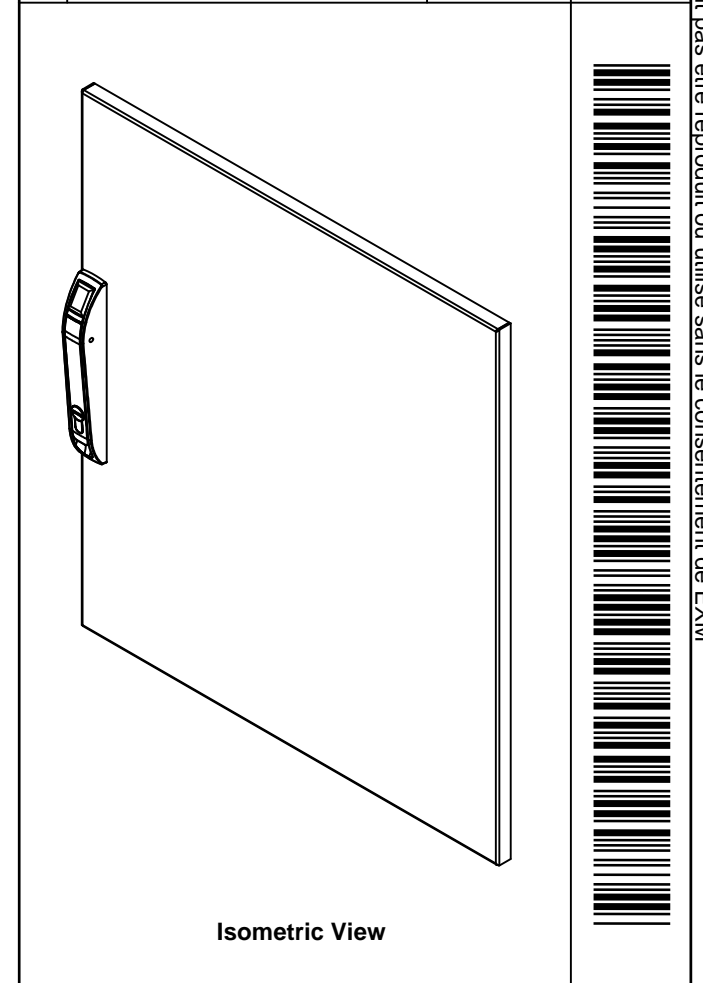


RIGHT

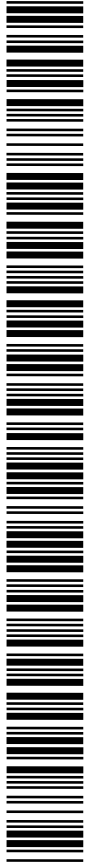



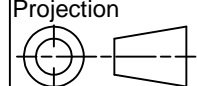
BOTTOM

No.	Revisions	Date	By/Par



Isometric View



 Tél: (450) 979-4373 Fax: (450) 979-4626 <a href="http://www.exmweb.com">www.exmweb.com</a>		Flatness Aplatissement Max 3.0mm Projection 
Customer Client	Date	
Drawn By Dessiné Par	BoxCad: Annie	Date 28/01/2015
Material Matière	14 Ga H.R.P. & O. (1.7mm)	
Color Couleur	Light Grey RAL7035	Finish Fini
Description		Detail Rev.
6500 MXD 700mm x 600mm Front		
Part Number Numéro Pièce	Rev.	
<b>6500MXK070609F</b>	<b>0</b>	1 / 3

SEE BILL OF MATERIAL ON LAST PAGE

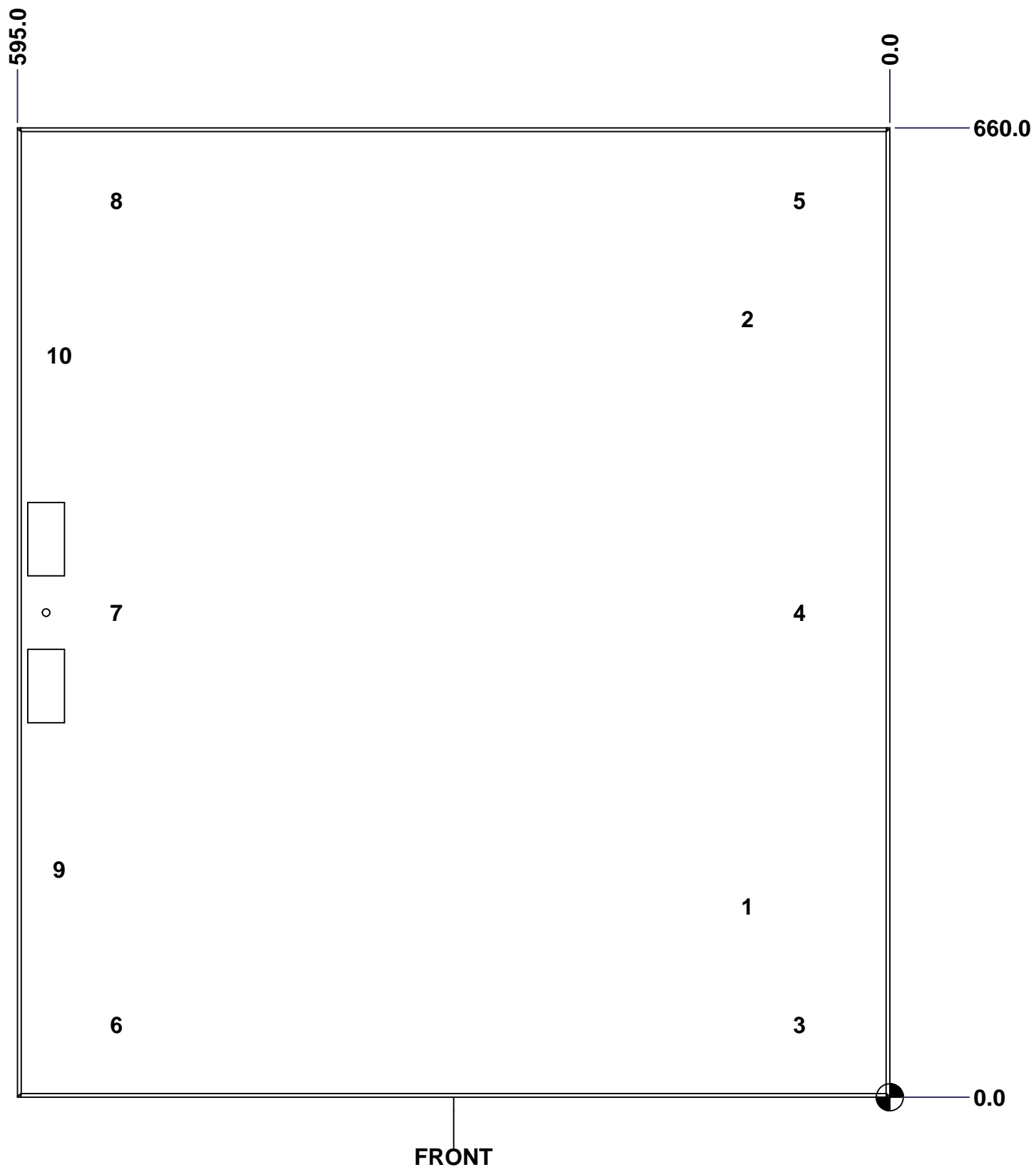
This drawing is confidential and must not be reproduced or used without the consent of EXM

Ce dessin est confidentiel et ne doit pas être reproduit ou utilisé sans le consentement de EXM

**STANDARD FEATURES ARE NOT LISTED IN THIS HOLE TABLE**

**HOLE TABLE - FRONT VIEW (CUSTOM FEATURE ONLY)**

CUT-OUT	XDIM	YDIM	DESCRIPTION
1	100.0	130.0	GND STUD M6 x 16mm (Inside)
2	100.0	530.0	GND STUD M6 x 16mm (Inside)
3	64.5	49.5	STIFF. STUD M6 x 18mm (Inside)
4	64.5	330.0	STIFF. STUD M6 x 18mm (Inside)
5	64.5	610.5	STIFF. STUD M6 x 18mm (Inside)
6	530.5	49.5	STIFF. STUD M6 x 18mm (Inside)
7	530.5	330.0	STIFF. STUD M6 x 18mm (Inside)
8	530.5	610.5	STIFF. STUD M6 x 18mm (Inside)
9	569.5	155.0	CLOSING BAR GUIDE (Inside)
10	569.5	505.0	CLOSING BAR GUIDE (Inside)

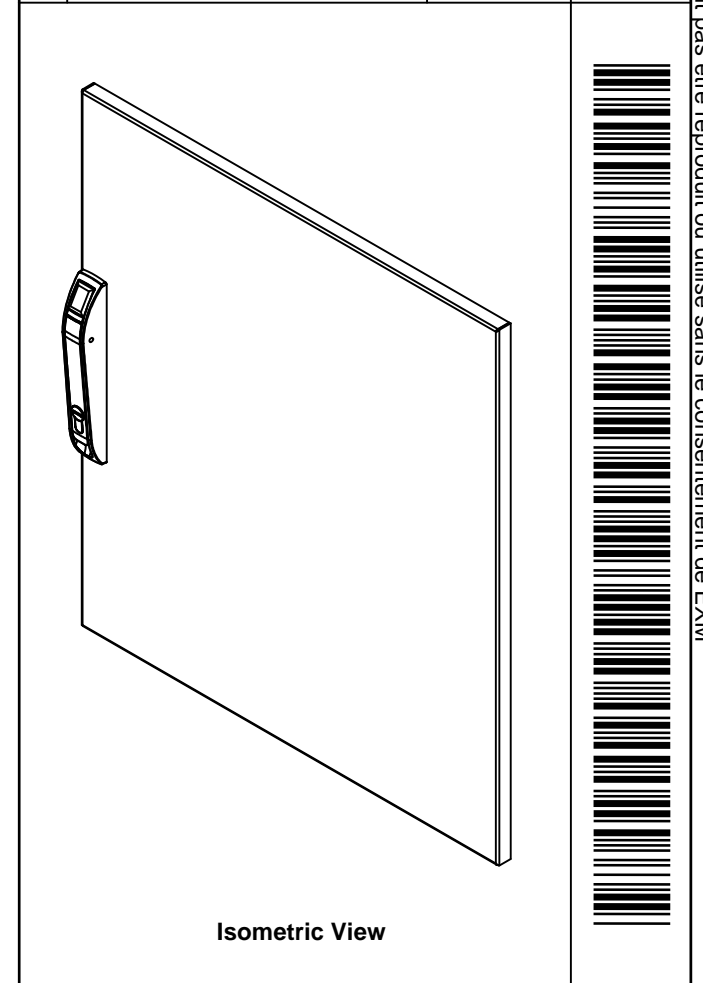


	Description	Status
	6500 MXD 700mm x 600mm Front	(NULL)
	Part Number Numéro Pièce	Rev.
	<b>6500MXK070609F</b>	<b>0</b>
		2
		3


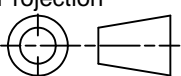
This drawing is confidential and must not be reproduced or used without the consent of EXM

Ce dessin est confidentiel et ne doit pas être reproduit ou utilisé sans le consentement de EXM

No.	Revisions	Date	By/Par



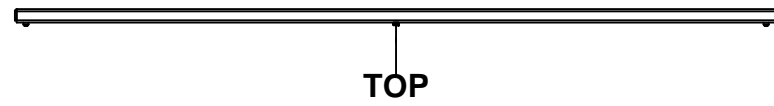
1	STK-P-03820R	0	Powder Paint (Light Grey / Rough Textured)
1	6500MXSRK	1	6500 MXRSK Door Support Roller
2	STK-Q-78022	0	Mtrx Closing Bar Slider
1	STK-Q-45746-07	1	6500 MXD - Lock Door Closing Bar
2	STK-Q-33105	4	5412 ESBU Buttable Hinge (Cover Part)
1	STK-Q-45729-07	2	6500 MXD - Lock Door Top Closing Bar
1	886PHD-S	4	Euroform Pull Handle Kit
8	STK-Q-16055	1	M6 x 18mm Stud (No Paint Cap Required)
1	6500MXK070609DS1	5	6500 MX 700mm x 600mm Door Stiffener
1	6500MXK070609FG	0	6500 MXD 700mm x 600mm Front Gasket
1	6500MXK070609F-P	0	6500 MXD 700mm x 600mm Front Part
2	STK-K-06811	1	6500 MX - Hinge Assy
Qty	Part Number	Rev	Description
Parts List			

 Tél: (450) 979-4373 Fax: (450) 979-4626 <a href="http://www.exmweb.com">www.exmweb.com</a>		Flatness Aplatissement Max 3.0mm Projection 
Customer Client	Date	
Drawn By Dessiné Par	BoxCad: Annie	Date 28/01/2015
Material Matière	14 Ga H.R.P. & O. (1.7mm)	
Color Couleur	Light Grey RAL7035	Finish Fini Rough Textured
Description	6500 MXD 700mm x 600mm Front	
Part Number Numéro Pièce	Rev. 0	3 / 3
<b>6500MXK070609F</b>		

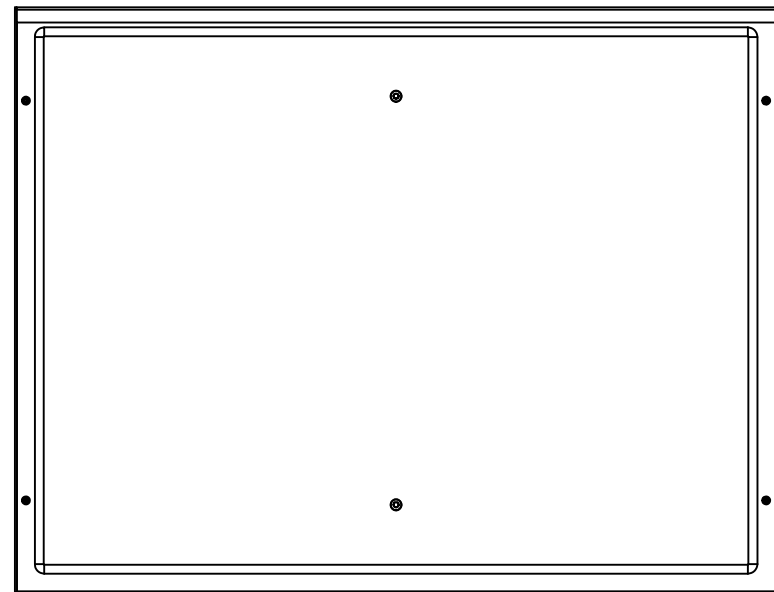


This drawing is confidential and must not be reproduced or used without the consent of EXM

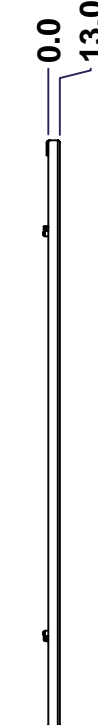
Ce dessin est confidentiel et ne doit pas être reproduit ou utilisé sans le consentement de EXM



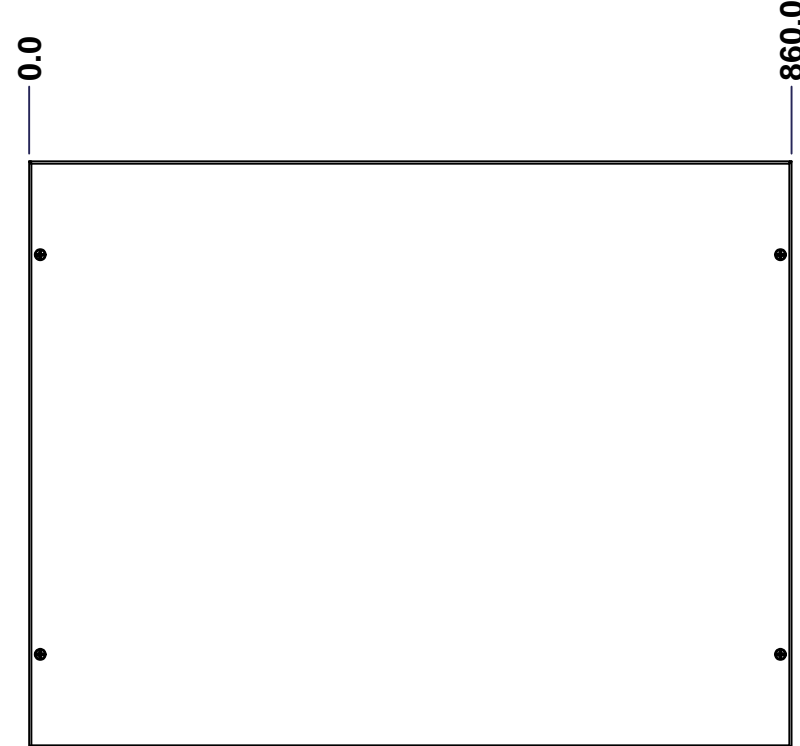
TOP



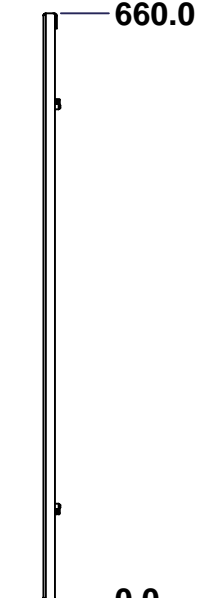
BACK



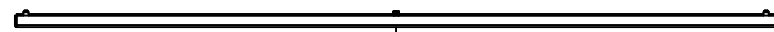
LEFT



FRONT



RIGHT



BOTTOM

No.	Revisions	Date	By/Par

Isometric View

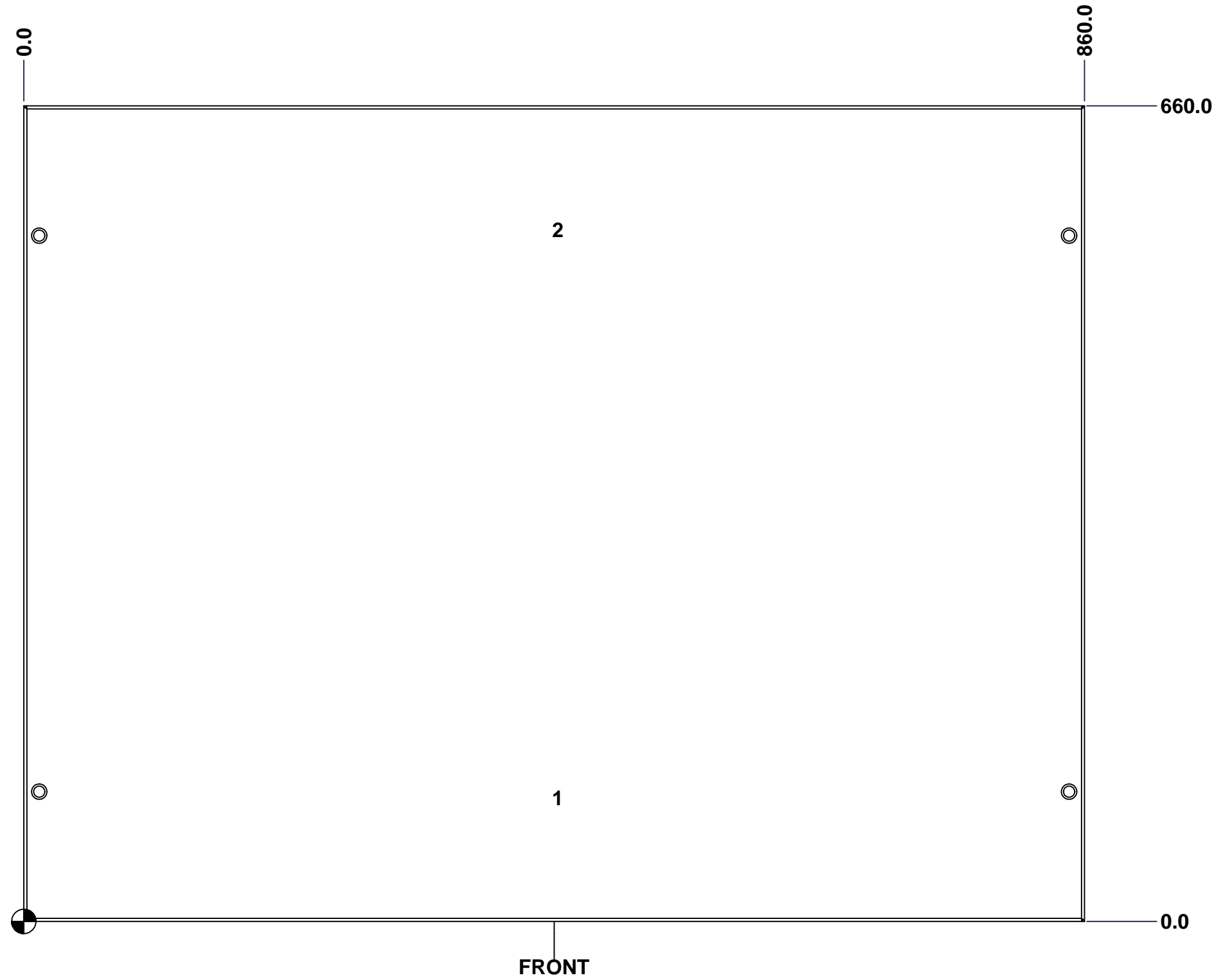
<p>Tél: (450) 979-4373 Fax: (450) 979-4626 <a href="http://www.exmweb.com">www.exmweb.com</a></p>		Flatness Aplatissement	
		Max 3.0mm	
Customer Client		Date	
Drawn By Dessiné Par BoxCad: Annie		Date 28/01/2015	
Material Matière 14 Ga H.R.P. & O. (1.7mm)			
Color Couleur Light Grey RAL7035		Finish Fini Rough Textured	
Description 6500 MXC 700mm x 900mm Left			Detail Rev.
Part Number Numéro Pièce <b>6500MXK070609L</b>		Rev. <b>0</b>	1 3

SEE BILL OF MATERIAL ON LAST PAGE

This drawing is confidential and must not be reproduced or used without the consent of EXM

Ce dessin est confidentiel et ne doit pas être reproduit ou utilisé sans le consentement de EXM

STANDARD FEATURES ARE NOT LISTED IN THIS HOLE TABLE			
HOLE TABLE - FRONT VIEW (CUSTOM FEATURE ONLY)			
CUT-OUT	XDIM	YDIM	DESCRIPTION
1	430.0	100.0	GND STUD M6 x 16mm (Inside)
2	430.0	560.0	GND STUD M6 x 16mm (Inside)

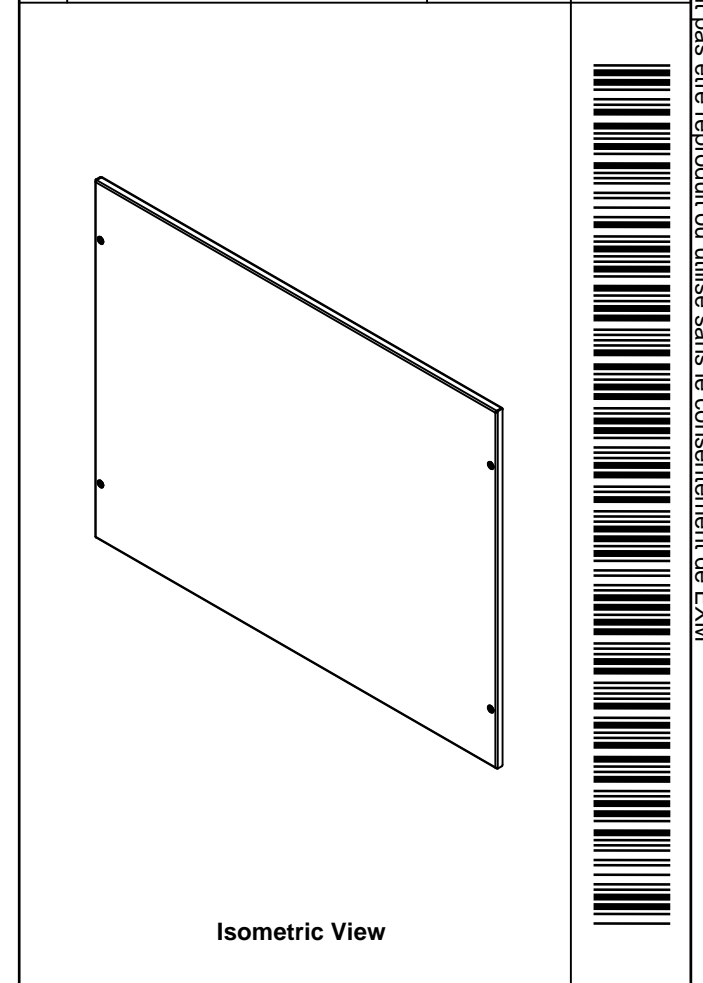



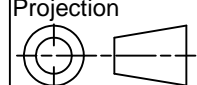
	Description	Status
	6500 MXC 700mm x 900mm Left	(NULL)
	Part Number Numéro Pièce	Rev.
	<b>6500MXK070609L</b>	<b>0</b>
		2
		3

This drawing is confidential and must not be reproduced or used without the consent of EXM

Ce dessin est confidentiel et ne doit pas être reproduit ou utilisé sans le consentement de EXM

No.	Revisions	Date	By/Par



 Tél: (450) 979-4373 Fax: (450) 979-4626 <a href="http://www.exmweb.com">www.exmweb.com</a>		Flatness Aplatissement Max 3.0mm Projection 
Customer Client	Date	
Drawn By Dessiné Par	BoxCad: Annie	Date 28/01/2015
Material Matière	14 Ga H.R.P. & O. (1.7mm)	
Color Couleur	Light Grey RAL7035	Finish Fini Rough Textured
Description	Detail Rev.	
6500 MXC 700mm x 900mm Left		
Part Number Numéro Pièce	Rev. 0	3
<b>6500MXK070609L</b>		3

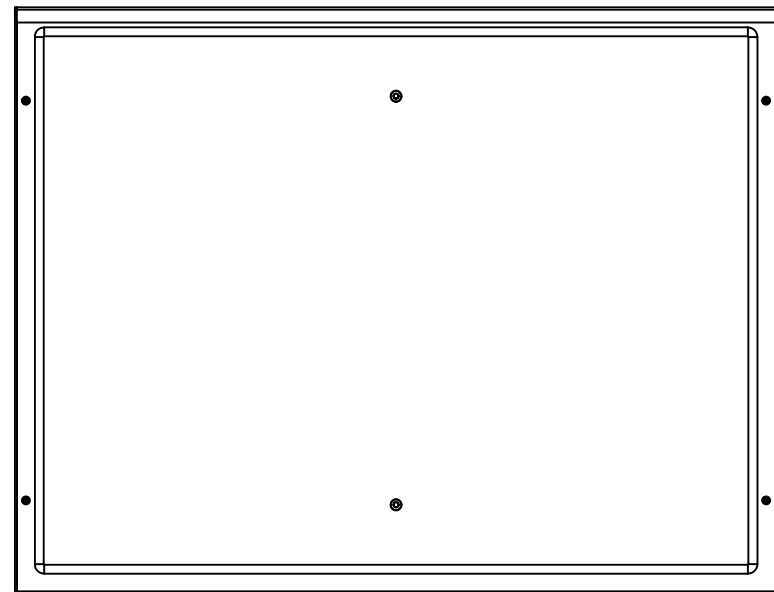
Qty	Part Number	Rev	Description
1	STK-P-03820R	0	Powder Paint (Light Grey / Rough Textured)
4	STK-Q-03072	2	M6 x 17mm Phillips Flat Head Screw
2	STK-Q-16080	0.1.1	M6 x 16mm Ground Stud
1	6500MXK070609LG	0	6500 MXC 700mm x 900mm Left Gasket
1	6500MXK070609L-P	0	6500 MXC 700mm x 900mm Left Part
Parts List			

This drawing is confidential and must not be reproduced or used without the consent of EXM

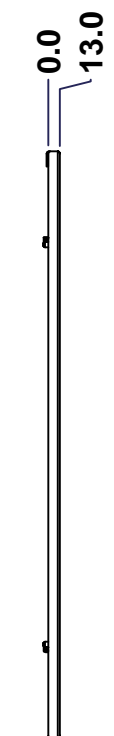
Ce dessin est confidentiel et ne doit pas être reproduit ou utilisé sans le consentement de EXM



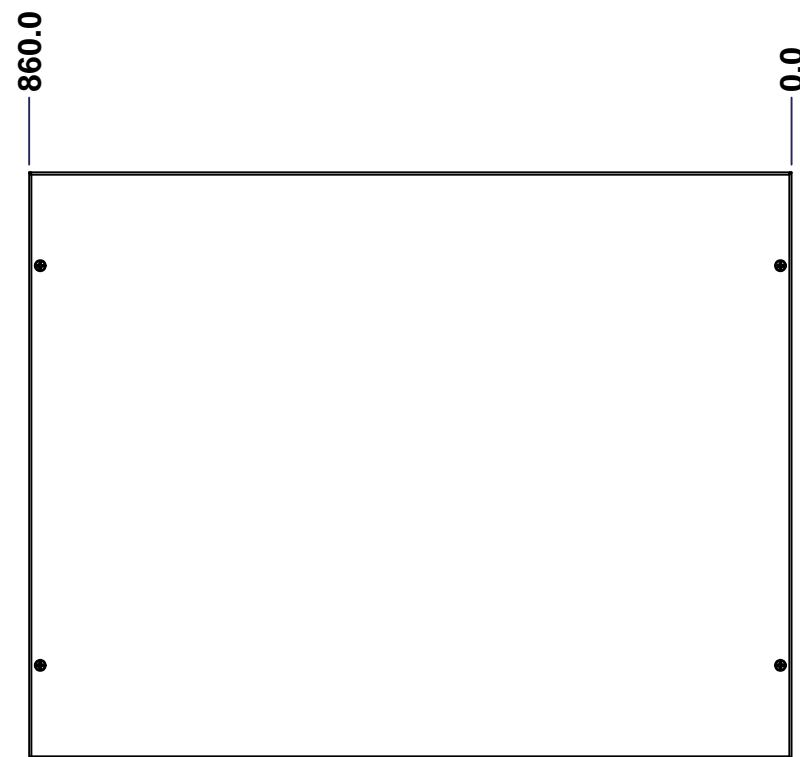
TOP



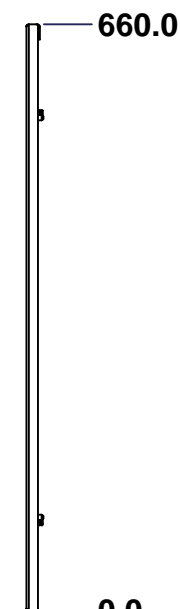
BACK



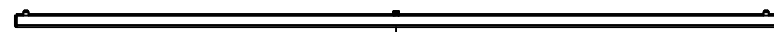
LEFT



FRONT

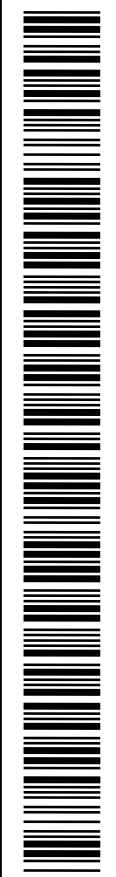
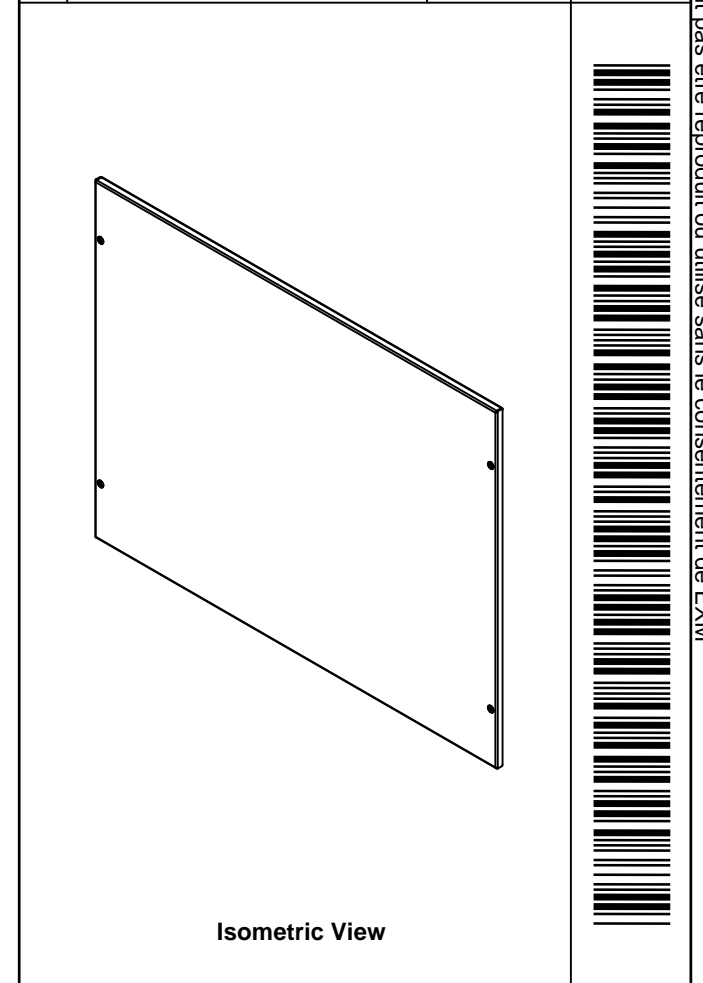



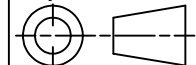
RIGHT



BOTTOM

No.	Revisions	Date	By/Par



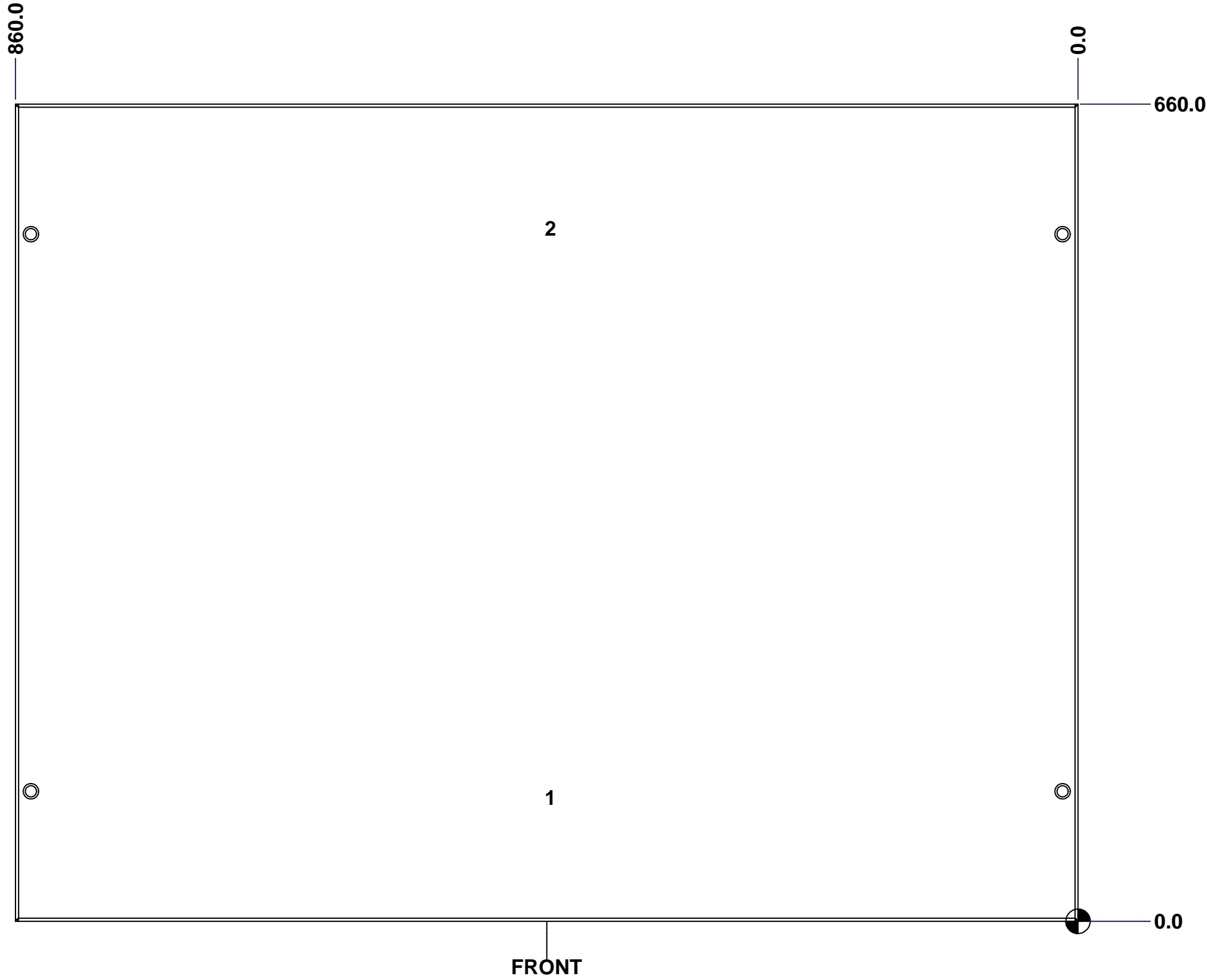
 Tél: (450) 979-4373 Fax: (450) 979-4626 <a href="http://www.exmweb.com">www.exmweb.com</a>		Flatness Aplatissement Max 3.0mm Projection 
Customer Client	Date	
Drawn By Dessiné Par	BoxCad: Annie	Date 28/01/2015
Material Matière	14 Ga H.R.P. & O. (1.7mm)	
Color Couleur	Light Grey RAL7035	Finish Fini
Description		Detail Rev.
6500 MXC 700mm x 900mm Right		
Part Number Numéro Pièce	Rev.	
<b>6500MXK070609R</b>	<b>0</b>	1 / 3

SEE BILL OF MATERIAL ON LAST PAGE

This drawing is confidential and must not be reproduced or used without the consent of EXM

Ce dessin est confidentiel et ne doit pas être reproduit ou utilisé sans le consentement de EXM

STANDARD FEATURES ARE NOT LISTED IN THIS HOLE TABLE			
HOLE TABLE - FRONT VIEW (CUSTOM FEATURE ONLY)			
CUT-OUT	XDIM	YDIM	DESCRIPTION
1	430.0	100.0	GND STUD M6 x 16mm (Inside)
2	430.0	560.0	GND STUD M6 x 16mm (Inside)

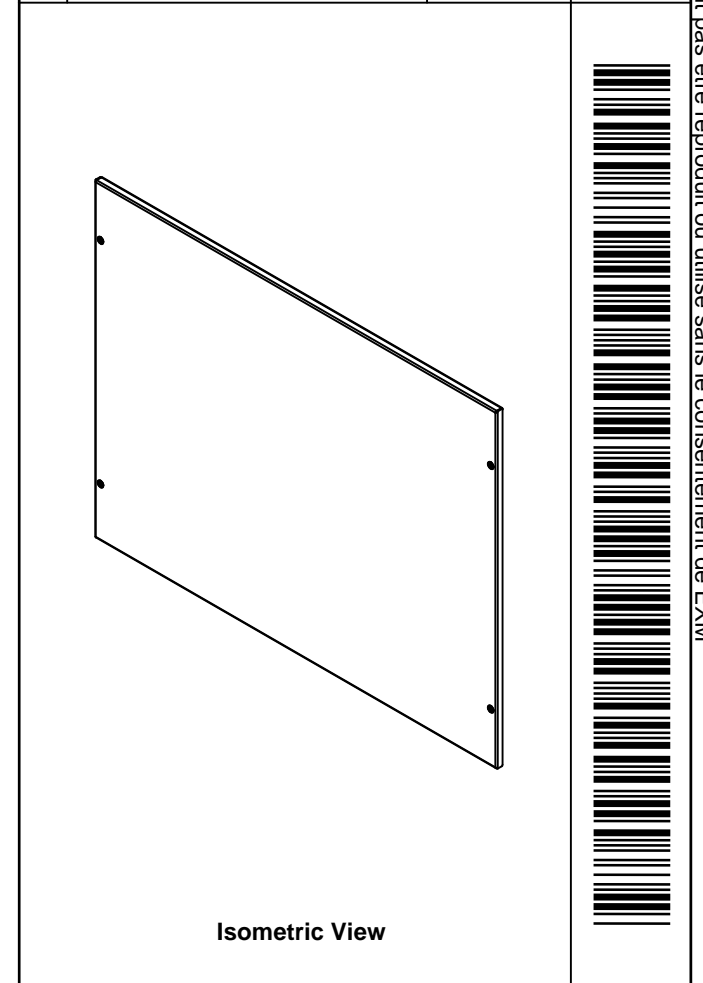



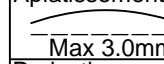
	Description	Status
	6500 MXC 700mm x 900mm Right	(NULL)
	Part Number Numéro Pièce	Rev.
	<b>6500MXK070609R</b>	<b>0</b>
		2
		3

This drawing is confidential and must not be reproduced or used without the consent of EXM

Ce dessin est confidentiel et ne doit pas être reproduit ou utilisé sans le consentement de EXM

No.	Revisions	Date	By/Par

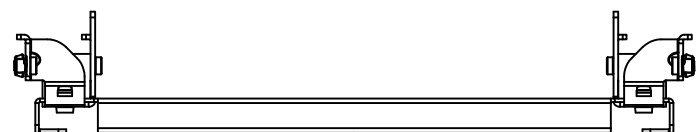


 Tél: (450) 979-4373 Fax: (450) 979-4626 <a href="http://www.exmweb.com">www.exmweb.com</a>		Flatness Aplatissement  Max 3.0mm
Customer Client		Date
Drawn By Dessiné Par BoxCad: Annie		Date 28/01/2015
Material Matière 14 Ga H.R.P. & O. (1.7mm)		
Color Couleur Light Grey RAL7035		Finish Fini Rough Textured
Description 6500 MXC 700mm x 900mm Right		Detail Rev.
Part Number Numéro Pièce <b>6500MXK070609R</b>		Rev. 3 <b>0</b>

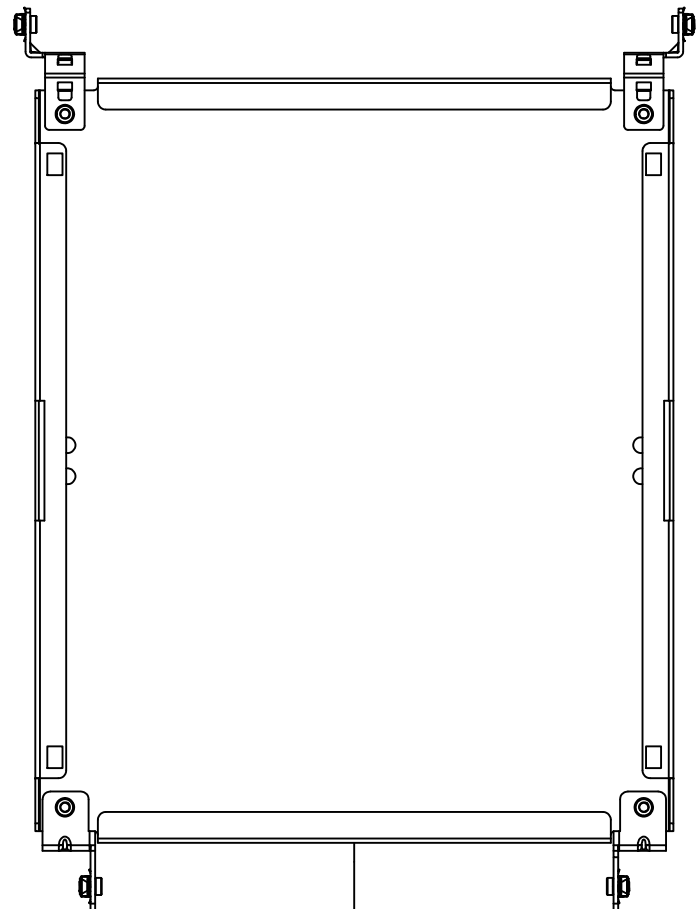
Qty	Part Number	Rev	Description
1	STK-P-03820R	0	Powder Paint (Light Grey / Rough Textured)
4	STK-Q-03072	2	M6 x 17mm Phillips Flat Head Screw
2	STK-Q-16080	0.1.1	M6 x 16mm Ground Stud
1	6500MXK070609RG	0	6500 MXC 700mm x 900mm Right Gasket
1	6500MXK070609R-P	0	6500 MXC 700mm x 900mm Right Part
Parts List			

This drawing is confidential and must not be reproduced or used without the consent of EXM

Ce dessin est confidentiel et ne doit pas être reproduit ou utilisé sans le consentement de EXM



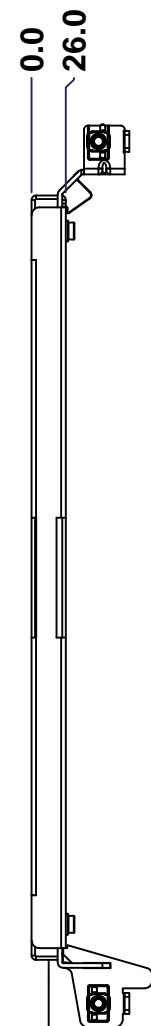
TOP



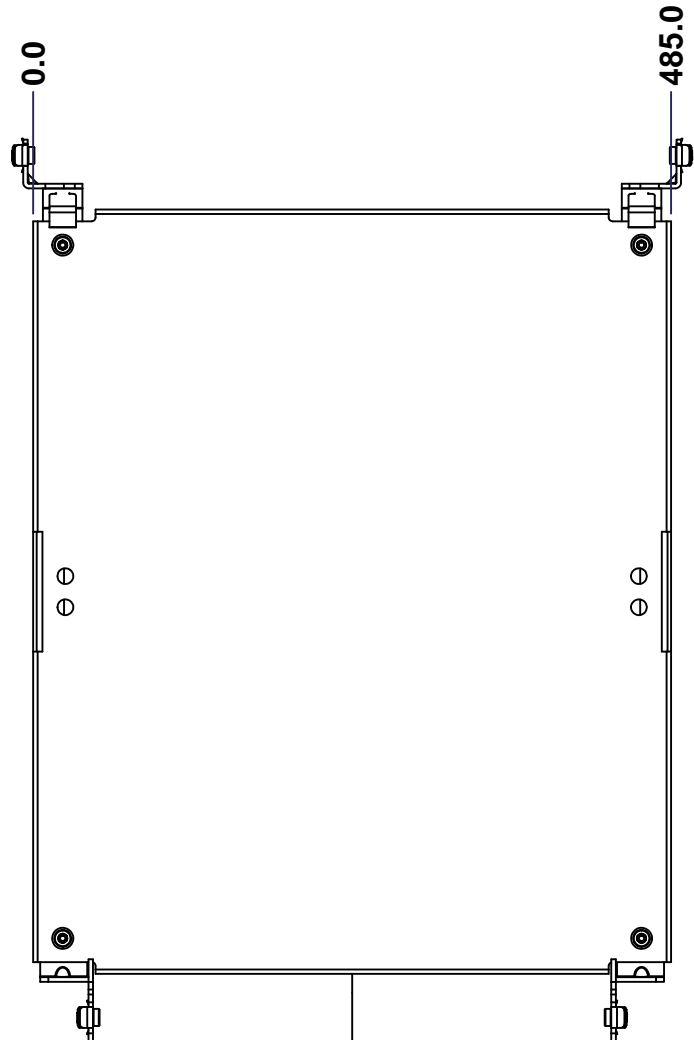
BACK



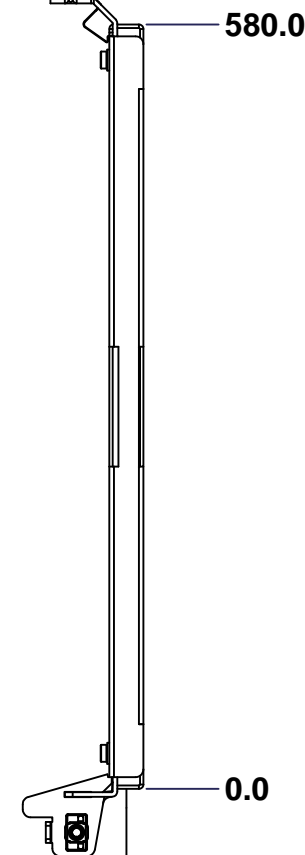
BOTTOM



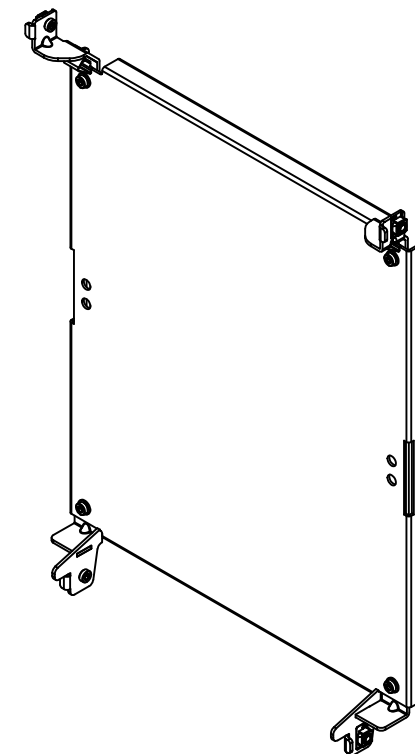
LEFT



FRONT




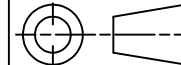
RIGHT



Isometric View



No.	Revisions	Date	By/Par

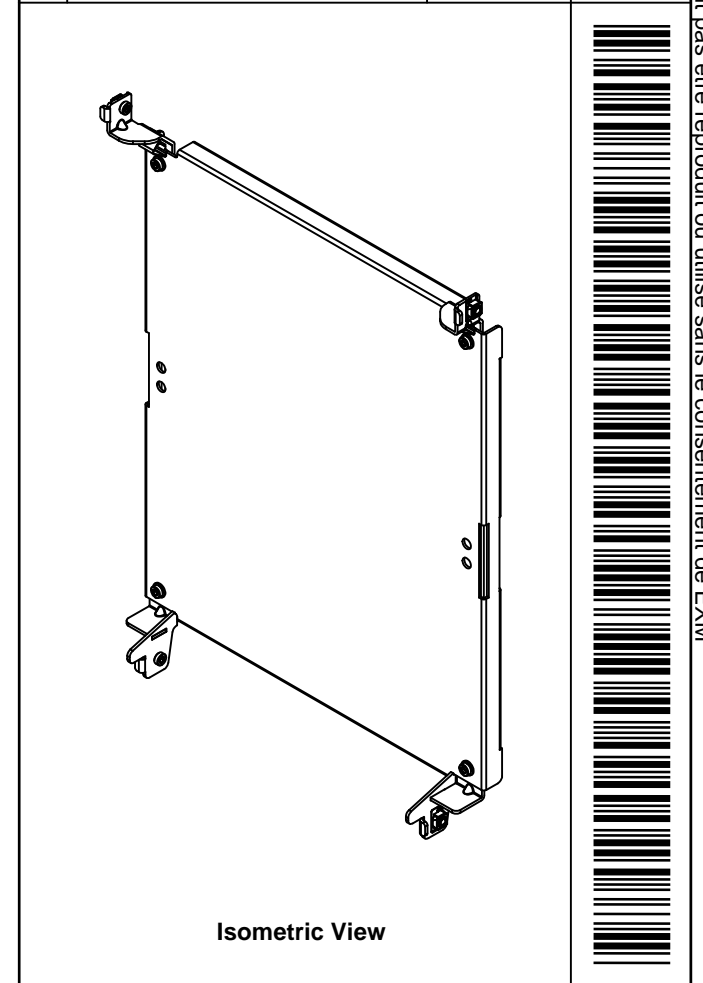
 Tél: (450) 979-4373 Fax: (450) 979-4626 <a href="http://www.exmweb.com">www.exmweb.com</a>		Flatness Aplatissement Max 3.0mm Projection 
Customer Client	Date	
Drawn By Dessiné Par	BoxCad: Annie	Date 28/01/2015
Material Matière	12 Ga Galvanized (2.5mm)	
Color Couleur	Unpainted	Finish Fini Unpainted
Description	Detail Rev.	
6500 MXM 700mm x 600mm Back Inner Panel		
Part Number Numéro Pièce	Rev.	
<b>6500MXK070609BIP</b>	<b>0</b>	1 / 3


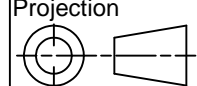
SEE BILL OF MATERIAL ON LAST PAGE

This drawing is confidential and must not be reproduced or used without the consent of EXM

Ce dessin est confidentiel et ne doit pas être reproduit ou utilisé sans le consentement de EXM

No.	Revisions	Date	By/Par



 Tél: (450) 979-4373 Fax: (450) 979-4626 <a href="http://www.exmweb.com">www.exmweb.com</a>		Flatness Aplatissement Max 3.0mm Projection 
Customer Client	Date	
Drawn By Dessiné Par	BoxCad: Annie	Date 28/01/2015
Material Matière	12 Ga Galvanized (2.5mm)	
Color Couleur	Unpainted	Finish Fini Unpainted
Description 6500 MXM 700mm x 600mm Back Inner Panel		Detail Rev.
Part Number Numéro Pièce	<b>6500MXK070609BIP</b>	Rev. 3
		<b>0</b>

Qty	Part Number	Rev	Description
1	STK-A-49005	0	6500MXM - Bottom Inner Panel Support Kit (Right)
1	STK-A-49000	0	6500MXM - Bottom Inner Panel Support Kit (Left)
1	STK-A-49015	0	6500MXM - Top Inner Panel Support Kit (Right)
1	STK-A-49010	0	6500MXM - Top Inner Panel Support Kit (Left)
1	6500MXK070609BIP-P	0	6500 MXM 700mm x 600mm Back Inner Panel Part
Parts List			