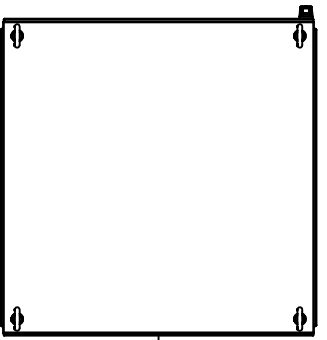
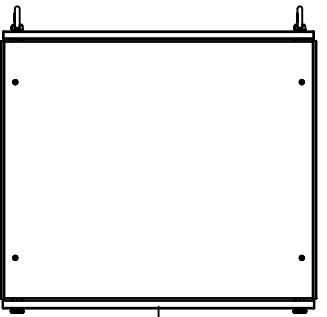


This drawing is confidential and must not be reproduced or used without the consent of EXM

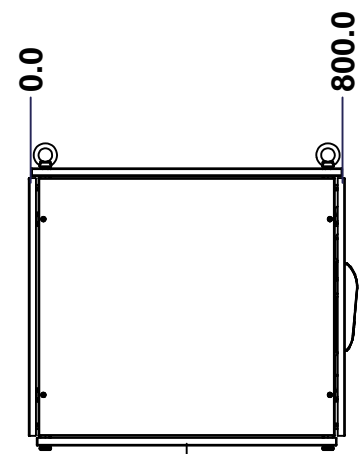
Ce dessin est confidentiel et ne doit pas être reproduit ou utilisé sans le consentement de EXM



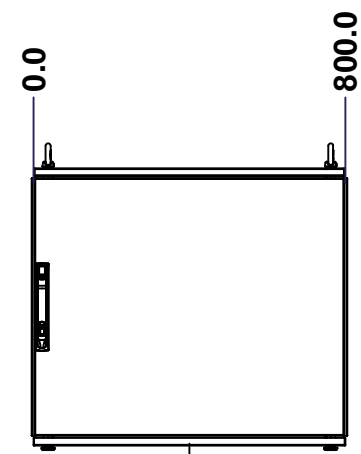
TOP



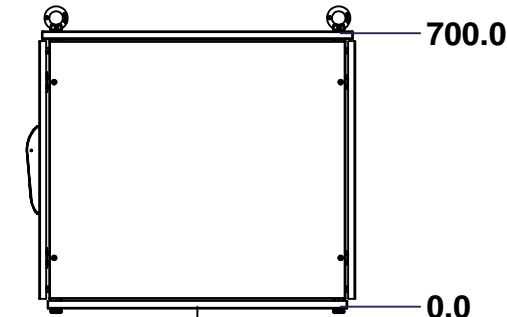
BACK



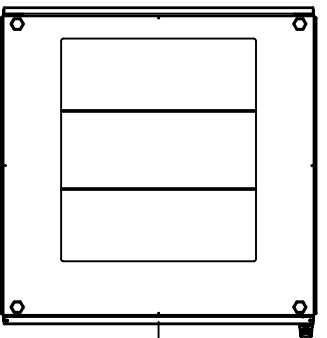
LEFT



FRONT

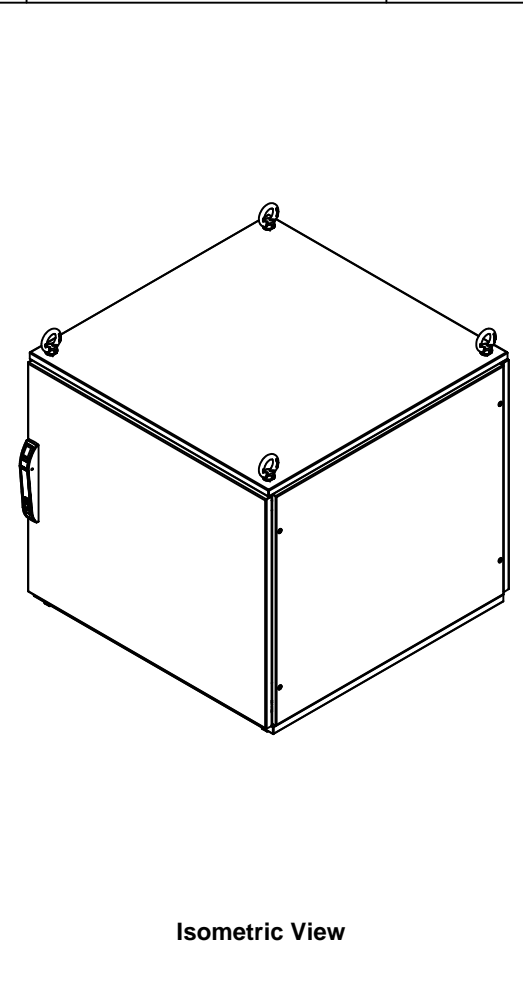


RIGHT




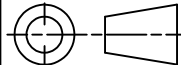
BOTTOM

| No. | Revisions | Date | By/Par |
|-----|-----------|------|--------|
|     |           |      |        |
|     |           |      |        |
|     |           |      |        |
|     |           |      |        |
|     |           |      |        |



Isometric View

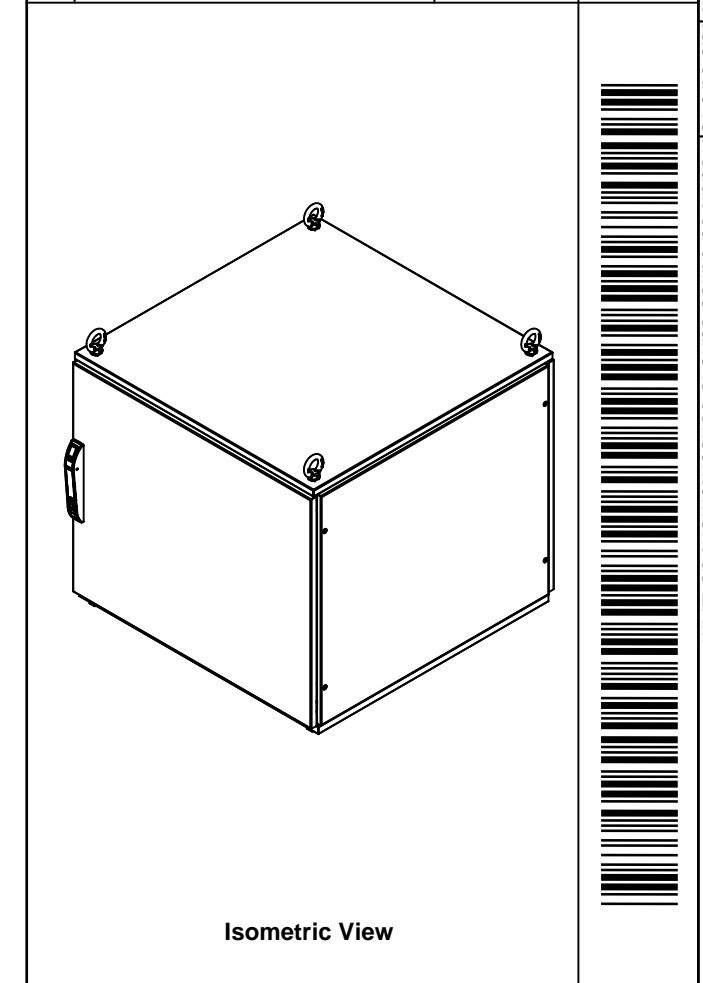


|  |                              |   |
|--|------------------------------|---|
|  Tél: (450) 979-4373<br>Fax: (450) 979-4626<br><a href="http://www.exmweb.com">www.exmweb.com</a> |                              | Flatness<br>Aplatissement<br>Max 3.0mm  |
| Customer<br>Client   |                              | Projection<br> |
| Drawn By<br>Dessiné Par BoxCad: Annie  |                              | Date<br>29/01/2015  |
| Material<br>Matière See Part List  |                              |   |
| Color<br>Couleur See Part List   | Finish<br>Fini See Part List | Detail Rev.   |
| Description<br>6500MX 700mm x 800mm x 800mm<br>Assembly  |                              | Rev. 1<br>0 2   |
| Part Number<br>Numéro Pièce <b>6500MXK070808</b>   |                              | SEE BILL OF MATERIAL ON LAST PAGE   |

This drawing is confidential and must not be reproduced or used without the consent of EXM

Ce dessin est confidentiel et ne doit pas être reproduit ou utilisé sans le consentement de EXM

| No. | Revisions | Date | By/Par |
|-----|-----------|------|--------|
|     |           |      |        |
|     |           |      |        |
|     |           |      |        |
|     |           |      |        |
|     |           |      |        |

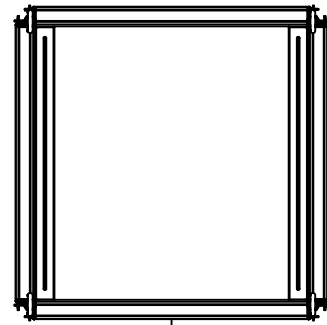


|  |  |                           |               |
|--|--|---------------------------|---------------|
| Tél: (450) 979-4373<br>Fax: (450) 979-4626<br><a href="http://www.exmweb.com">www.exmweb.com</a> |  | Flatness<br>Aplatissement |               |
|  |  | Max 3.0mm                 |               |
| Customer Client<br>Drawn By / Dessiné Par: BoxCad: Annie   |  | Projection                |               |
|  |  |                           |               |
| Date   |  | Date                      |               |
| Date 29/01/2015  |  | Date 29/01/2015           |               |
| Material / Matière   |  | See Part List             |               |
| Color / Couleur  |  | See Part List             | Finish / Fini |
|  |  | See Part List             |               |
| Description<br>6500MX 700mm x 800mm x 800mm Assembly   |  |                           | Detail Rev.   |
| Part Number / Numéro Pièce<br><b>6500MXK070808</b>   |  |                           | Rev. 2        |
|  |  |                           | <b>0</b>      |
|  |  |                           | 2             |

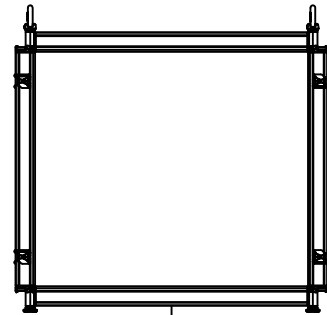
| Qty        | Part Number      | Rev | Description                             |
|------------|------------------|-----|---|
| 1          | 6500MXK070808BIP | 0   | 6500 MXM 700mm x 800mm Back Inner Panel |
| 1          | 6500MXK070808R   | 0   | 6500 MXC 700mm x 800mm Right            |
| 1          | 6500MXK070808L   | 0   | 6500 MXC 700mm x 800mm Left             |
| 1          | 6500MXK070808F   | 0   | 6500 MXD 700mm x 800mm Front            |
| 1          | 6500MXK070808B   | 0   | 6500 MXR 700mm x 800mm Back             |
| 1          | 6500MXK070808BT  | 0   | 6500 MXB 800mm x 800mm Bottom           |
| 1          | 6500MXK070808T   | 0   | 6500 MXT 800mm x 800mm Top              |
| 1          | 6500MXK070808FR  | 0   | 6500 MX 700mm x 800mm x 800mm Frame     |
| Parts List |                  |     |   |

This drawing is confidential and must not be reproduced or used without the consent of EXM

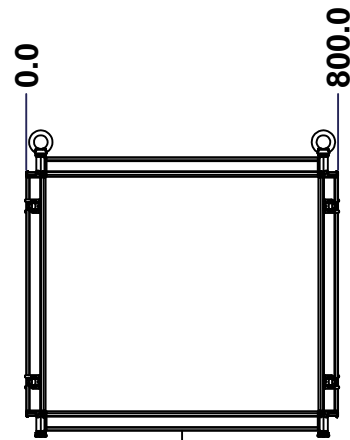
Ce dessin est confidentiel et ne doit pas être reproduit ou utilisé sans le consentement de EXM



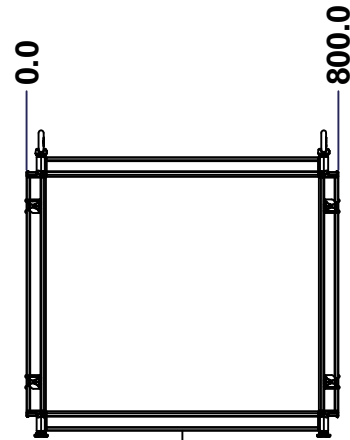
TOP



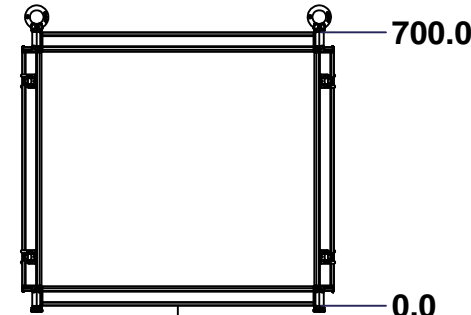
BACK



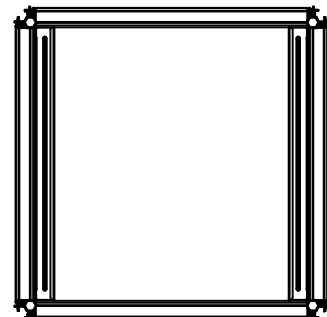
LEFT



FRONT

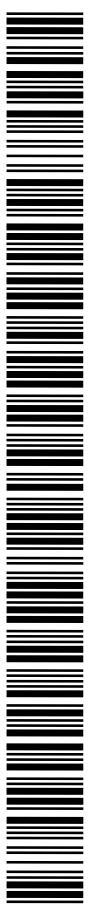
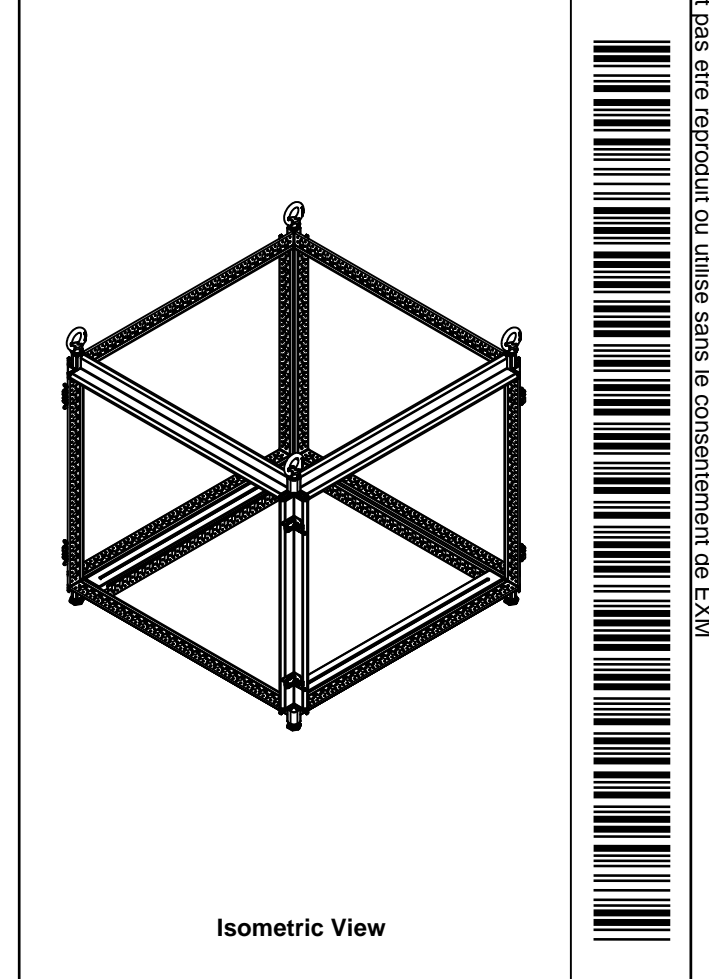




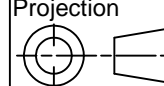
RIGHT



BOTTOM

| No. | Revisions | Date | By/Par |
|-----|-----------|------|--------|
|     |           |      |        |
|     |           |      |        |
|     |           |      |        |
|     |           |      |        |



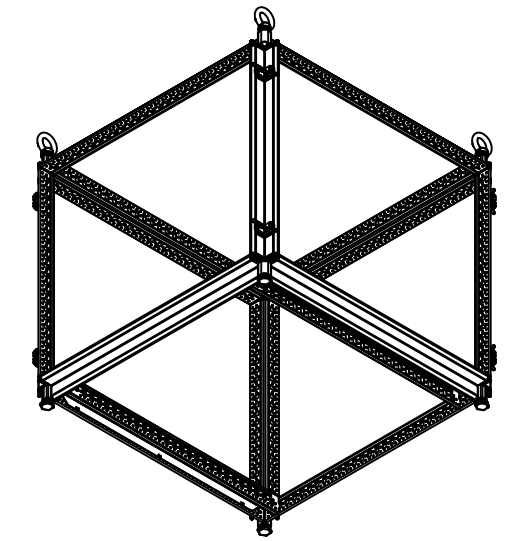
|  |                                  |   |
|--|----------------------------------|---|
|  Tél: (450) 979-4373<br>Fax: (450) 979-4626<br><a href="http://www.exmweb.com">www.exmweb.com</a> |                                  | Flatness<br>Aplatissement<br> Max 3.0mm<br>Projection<br> |
| Customer Client  | Date                             |   |
| Drawn By<br>Dessiné Par  | BoxCad: Annie                    | Date 29/01/2015   |
| Material<br>Matière  | 16 Ga Electro-Galvanized (1.4mm) |   |
| Color<br>Couleur   | Iron Grey RAL7011                | Finish<br>Fini<br>Rough Textured  |
| Description  | Detail Rev.                      |   |
| 6500 MX 700mm x 800mm x 800mm Frame  |                                  |   |
| Part Number<br>Numéro Pièce  | Rev. 0                           | 1<br>2  |
| <b>6500MXK070808FR</b>   |                                  |   |

SEE BILL OF MATERIAL ON LAST PAGE

This drawing is confidential and must not be reproduced or used without the consent of EXM

Ce dessin est confidentiel et ne doit pas être reproduit ou utilisé sans le consentement de EXM


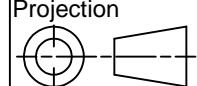
| No. | Revisions | Date | By/Par |
|-----|-----------|------|--------|
|     |           |      |        |
|     |           |      |        |
|     |           |      |        |
|     |           |      |        |
|     |           |      |        |



Isometric View

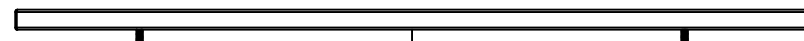


| Qty        | Part Number    | Rev | Description                               |
|------------|----------------|-----|---|
| 1          | STK-P-03810R   | 0   | Powder Paint (Iron Grey / Rough Textured) |
| 1          | STK-Q-49065    | 3   | 6500 MXM Inner Panel Slider 800mm         |
| 1          | STK-Q-49065-L  | 3   | 6500 MXM Inner Panel Slider 800mm         |
| 4          | STK-Q-49500    | 3   | M12 Eye Bolt (0.34T)                      |
| 4          | STK-Q-61110    | 0   | M12 Feet Leveler                          |
| 8          | STK-Q-00610    | 1   | M18 x 30.5mm Bolt - Cover                 |
| 4          | STK-Q-47251-07 | 3   | 6500 MX 700mm Vertical Frame Post Part    |
| 8          | STK-Q-49445    | 2   | 6500 MX - Frame Corner Bracket Casting    |
| 8          | STK-K-11001    | 2   | 3 Way Fixed Bracket Kit                   |
| 8          | STK-Q-47250-08 | 3   | 6500 MX 800mm Horizontal Frame Post Part  |
| Parts List |                |     |   |

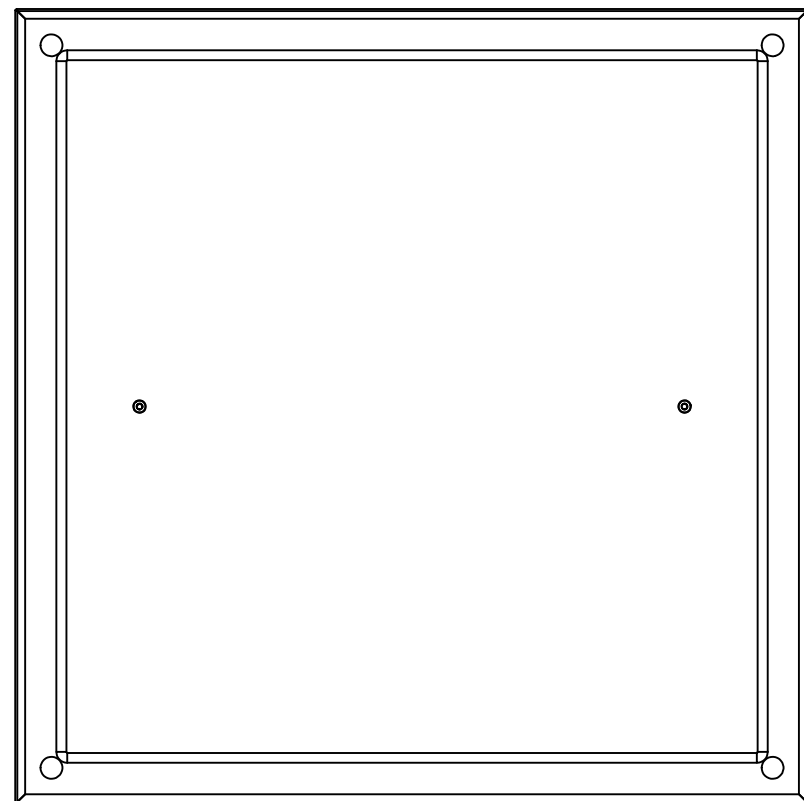
|  |                                  |   |
|--|----------------------------------|---|
|  Tél: (450) 979-4373<br>Fax: (450) 979-4626<br><a href="http://www.exmweb.com">www.exmweb.com</a> |                                  | Flatness<br>Aplatissement<br>Max 3.0mm<br>Projection<br> |
| Customer<br>Client   | Date                             |   |
| Drawn By<br>Dessiné Par  | BoxCad: Annie                    | Date 29/01/2015   |
| Material<br>Matière  | 16 Ga Electro-Galvanized (1.4mm) |   |
| Color<br>Couleur   | Iron Grey RAL7011                | Finish<br>Fini<br>Rough Textured  |
| Description  | Detail Rev.                      |   |
| 6500 MX 700mm x 800mm x 800mm Frame  |                                  |   |
| Part Number<br>Numéro Pièce  | Rev.                             | 2   |
| <b>6500MXK070808FR</b>   | <b>0</b>                         | <b>2</b>  |

This drawing is confidential and must not be reproduced or used without the consent of EXM

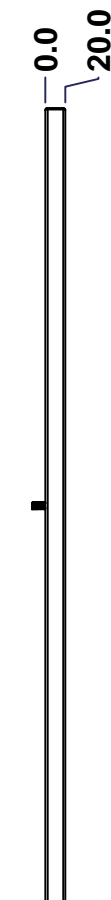
Ce dessin est confidentiel et ne doit pas être reproduit ou utilisé sans le consentement de EXM



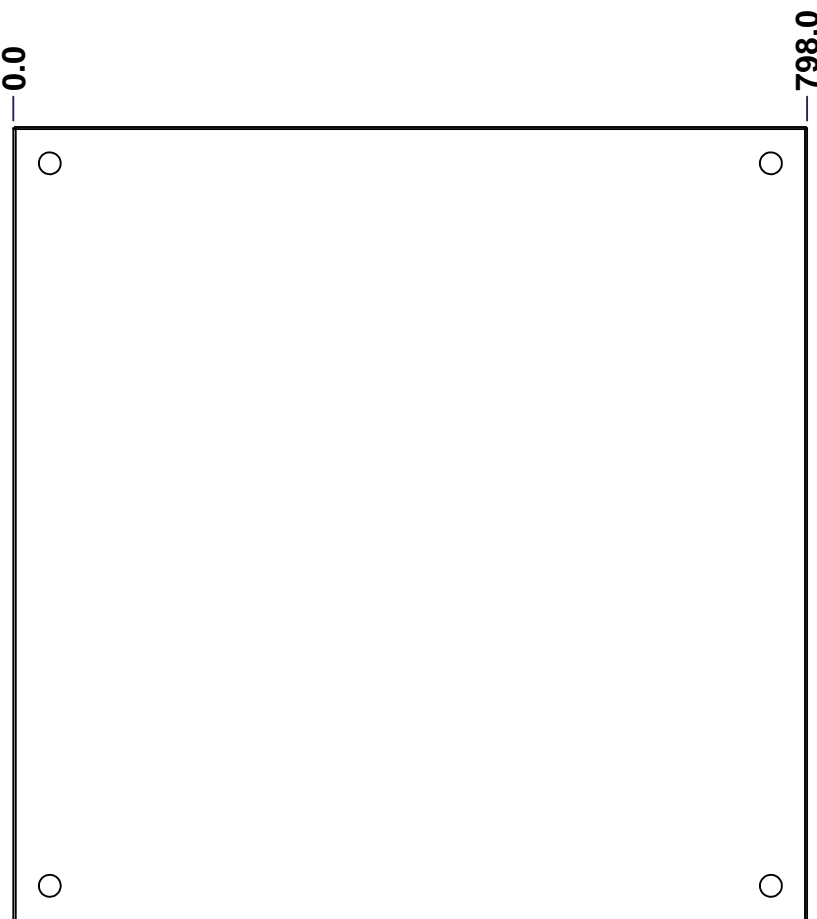
TOP



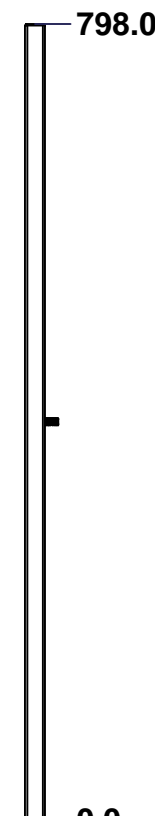
BACK



LEFT



FRONT

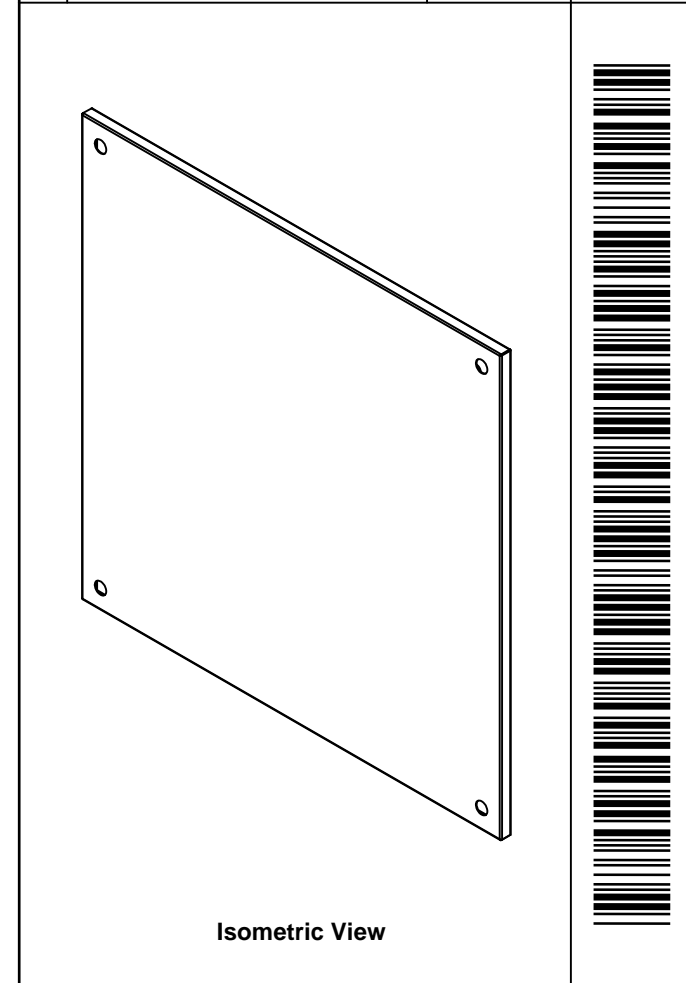


RIGHT


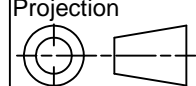


BOTTOM

| No. | Revisions | Date | By/Par |
|-----|-----------|------|--------|
|     |           |      |        |
|     |           |      |        |
|     |           |      |        |
|     |           |      |        |



Isometric View

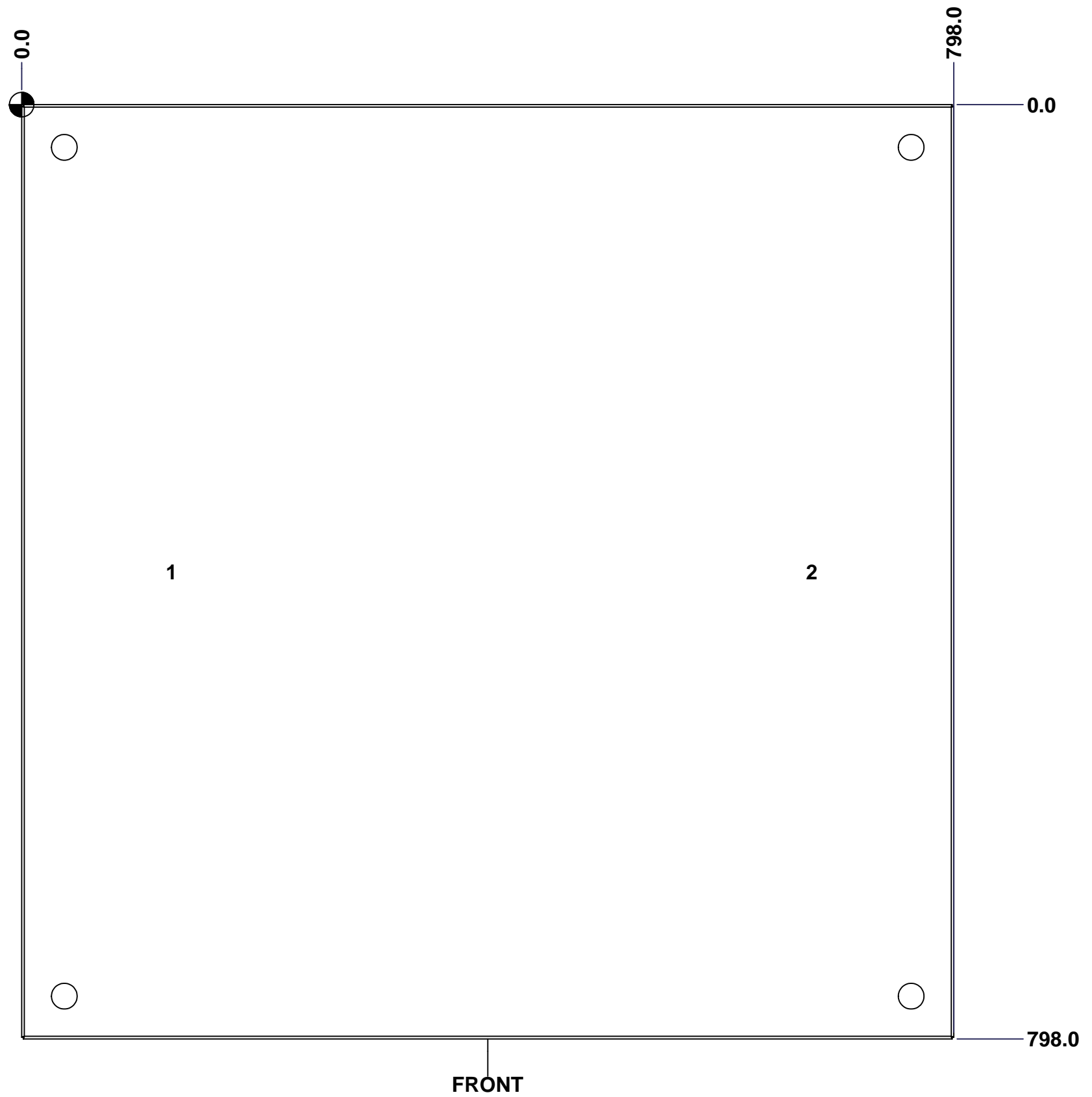
|  |                                    |   |
|--|------------------------------------|---|
|  Tél: (450) 979-4373<br>Fax: (450) 979-4626<br><a href="http://www.exmweb.com">www.exmweb.com</a> |                                    | Flatness<br>Aplatissement<br>Max 3.0mm<br>Projection<br> |
| Customer Client  | Date                               |   |
| Drawn By / Dessiné Par: BoxCad: Annie  | Date: 29/01/2015                   |   |
| Material / Matière: 16 Ga H.R.P. & O. (1.4mm)  | Color / Couleur: Iron Grey RAL7011 |   |
| Finish / Fini: Rough / Textured  |                                    | Description: 6500 MXT 800mm x 800mm Top   |
| Part Number / Numéro Pièce: 6500MXK070808T   | Rev. 0                             | 1 / 3   |

SEE BILL OF MATERIAL ON LAST PAGE

This drawing is confidential and must not be reproduced or used without the consent of EXM

Ce dessin est confidentiel et ne doit pas être reproduit ou utilisé sans le consentement de EXM

| STANDARD FEATURES ARE NOT LISTED IN THIS HOLE TABLE |       |       |                             |
|---|-------|-------|-----------------------------|
| HOLE TABLE - FRONT VIEW (CUSTOM FEATURE ONLY)       |       |       |                             |
| CUT-OUT   | XDIM  | YDIM  | DESCRIPTION                 |
| 1   | 125.0 | 399.0 | GND STUD M6 x 16mm (Inside) |
| 2   | 673.0 | 399.0 | GND STUD M6 x 16mm (Inside) |

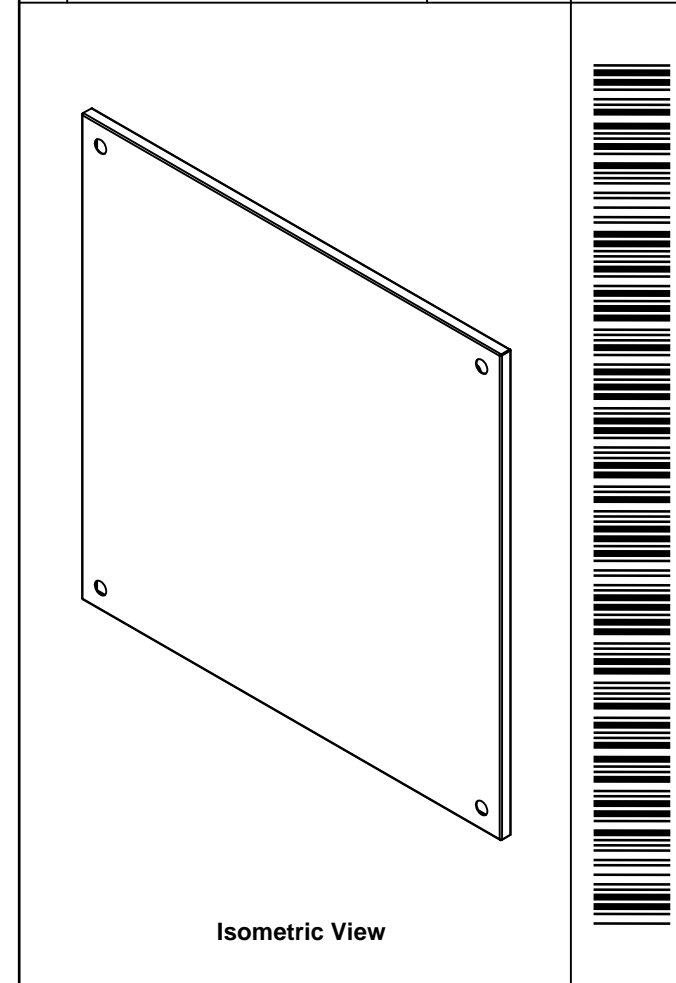



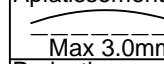
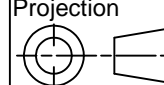
|  |                             |          |        |
|--|-----------------------------|----------|--------|
|  | Description                 | Status   |        |
|  | 6500 MXT 800mm x 800mm Top  | (NULL)   |        |
|  | Part Number<br>Numéro Pièce | Rev.     |        |
|  | <b>6500MXK070808T</b>       | <b>0</b> | 2<br>3 |

This drawing is confidential and must not be reproduced or used without the consent of EXM

Ce dessin est confidentiel et ne doit pas être reproduit ou utilisé sans le consentement de EXM

| No. | Revisions | Date | By/Par |
|-----|-----------|------|--------|
|     |           |      |        |
|     |           |      |        |
|     |           |      |        |
|     |           |      |        |
|     |           |      |        |

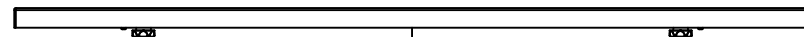


|  |                           |   |
|--|---------------------------|---|
|  Tél: (450) 979-4373<br>Fax: (450) 979-4626<br><a href="http://www.exmweb.com">www.exmweb.com</a> |                           | Flatness<br>Aplatissement<br> Max 3.0mm<br>Projection<br> |
| Customer<br>Client   | Date                      |   |
| Drawn By<br>Dessiné Par  | BoxCad: Annie             | Date 29/01/2015   |
| Material<br>Matière  | 16 Ga H.R.P. & O. (1.4mm) |   |
| Color<br>Couleur   | Iron Grey RAL7011         | Finish<br>Fini<br>Rough Textured  |
| Description  | Detail Rev.               |   |
| 6500 MXT 800mm x 800mm Top   |                           |   |
| Part Number<br>Numéro Pièce  | Rev.                      | 3   |
| <b>6500MXK070808T</b>  | <b>0</b>                  | <b>3</b>  |

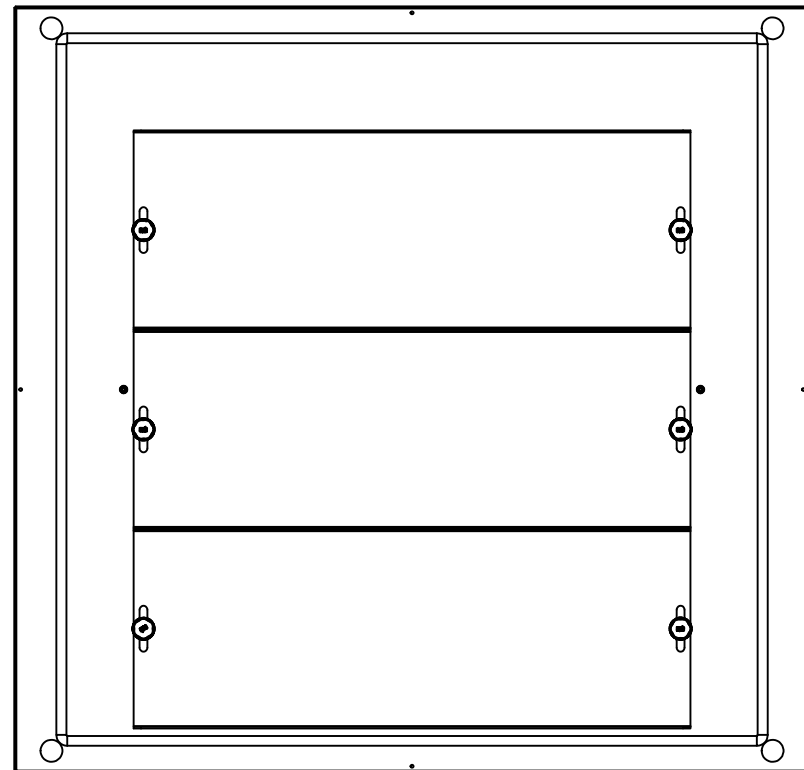
| Qty        | Part Number      | Rev   | Description                               |
|------------|------------------|-------|---|
| 1          | STK-P-03810R     | 0     | Powder Paint (Iron Grey / Rough Textured) |
| 2          | STK-Q-16080      | 0.1.1 | M6 x 16mm Ground Stud                     |
| 1          | 6500MXK070808TG  | 0     | 6500 MXT 800mm x 800mm Top Gasket         |
| 1          | 6500MXK070808T-P | 0     | 6500 MXT 800mm x 800mm Top Part           |
| Parts List |                  |       |   |

This drawing is confidential and must not be reproduced or used without the consent of EXM

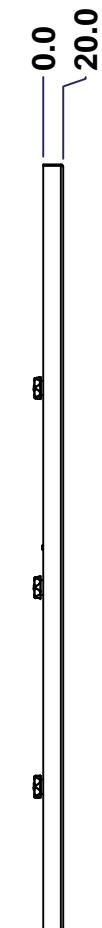
Ce dessin est confidentiel et ne doit pas être reproduit ou utilisé sans le consentement de EXM



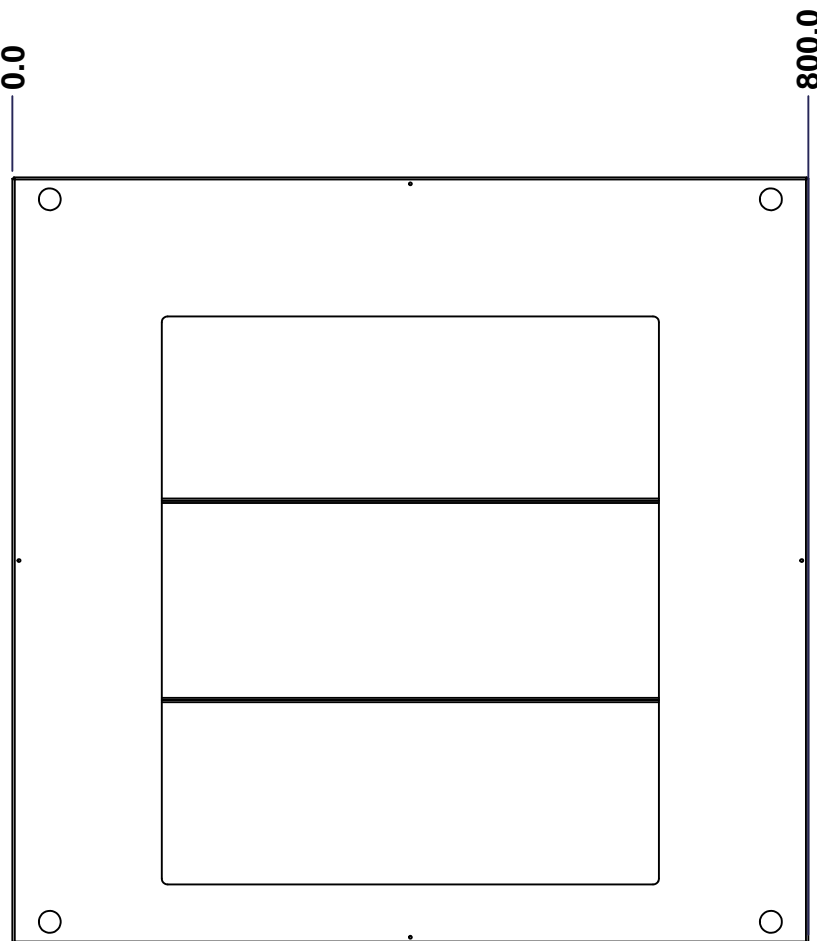
TOP



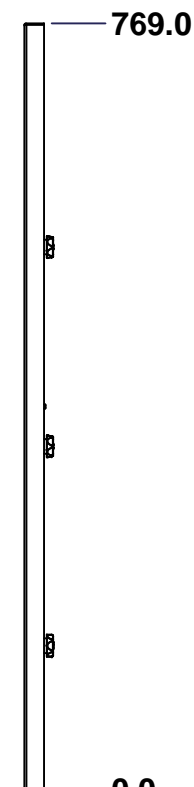
BACK



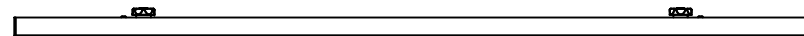
LEFT



FRONT

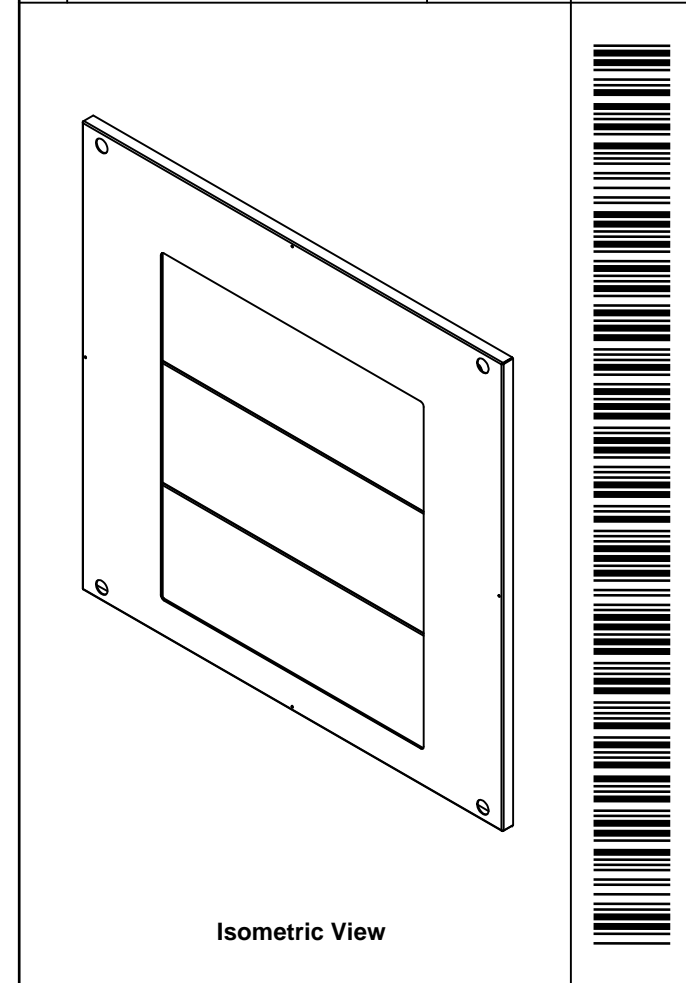


RIGHT


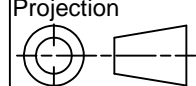


BOTTOM

| No. | Revisions | Date | By/Par |
|-----|-----------|------|--------|
|     |           |      |        |
|     |           |      |        |
|     |           |      |        |
|     |           |      |        |



Isometric View

|  |  |   |             |
|--|--|---|-------------|
|  Tél: (450) 979-4373<br>Fax: (450) 979-4626<br><a href="http://www.exmweb.com">www.exmweb.com</a> |  | Flatness<br>Aplatissement<br>Max 3.0mm<br>Projection<br> |             |
| Customer Client  |  | Date  |             |
| Drawn By / Dessiné Par: BoxCad: Annie  |  | Date: 29/01/2015  |             |
| Material / Matière: 16 Ga H.R.P. & O. (1.4mm)  |  |   |             |
| Color / Couleur: Iron Grey RAL7011   |  | Finish / Fini: Rough / Textured   |             |
| Description: 6500 MXB 800mm x 800mm Bottom   |  |   | Detail Rev. |
| Part Number / Numéro Pièce: 6500MXK070808BT  |  | Rev.:   | 1 / 3       |

SEE BILL OF MATERIAL ON LAST PAGE



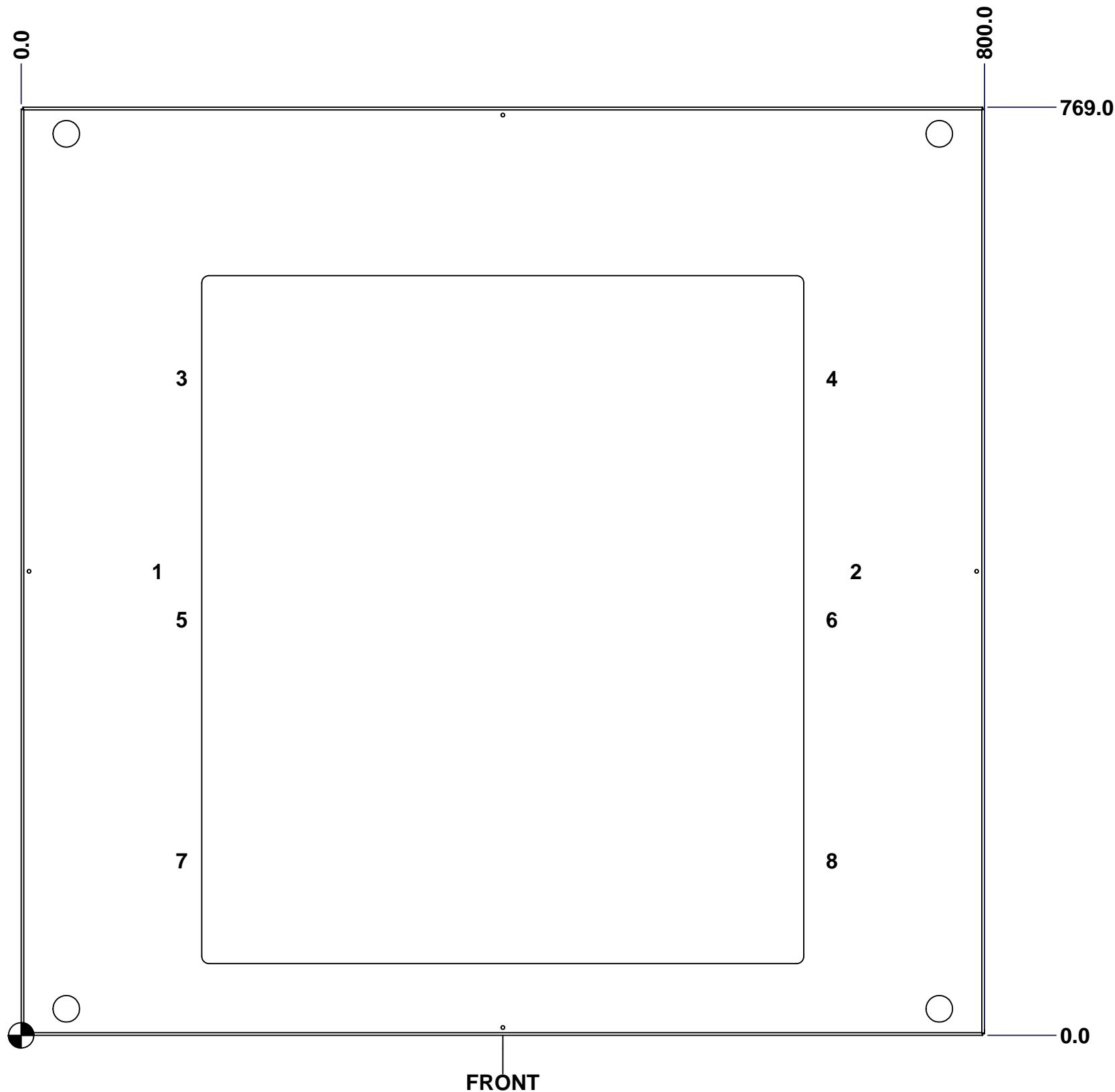
This drawing is confidential and must not be reproduced or used without the consent of EXM

Ce dessin est confidentiel et ne doit pas être reproduit ou utilisé sans le consentement de EXM

**STANDARD FEATURES ARE NOT LISTED IN THIS HOLE TABLE**

**HOLE TABLE - FRONT VIEW (CUSTOM FEATURE ONLY)**

| CUT-OUT | XDIM  | YDIM  | DESCRIPTION                 |
|---------|-------|-------|-----------------------------|
| 1       | 110.0 | 384.5 | GND STUD M6 x 16mm (Inside) |
| 2       | 690.0 | 384.5 | GND STUD M6 x 16mm (Inside) |
| 3       | 130.0 | 544.5 | GP STUD M6 x 10mm (Inside)  |
| 4       | 670.0 | 544.5 | GP STUD M6 x 10mm (Inside)  |
| 5       | 130.0 | 344.5 | GP STUD M6 x 10mm (Inside)  |
| 6       | 670.0 | 344.5 | GP STUD M6 x 10mm (Inside)  |
| 7       | 130.0 | 144.5 | GP STUD M6 x 10mm (Inside)  |
| 8       | 670.0 | 144.5 | GP STUD M6 x 10mm (Inside)  |

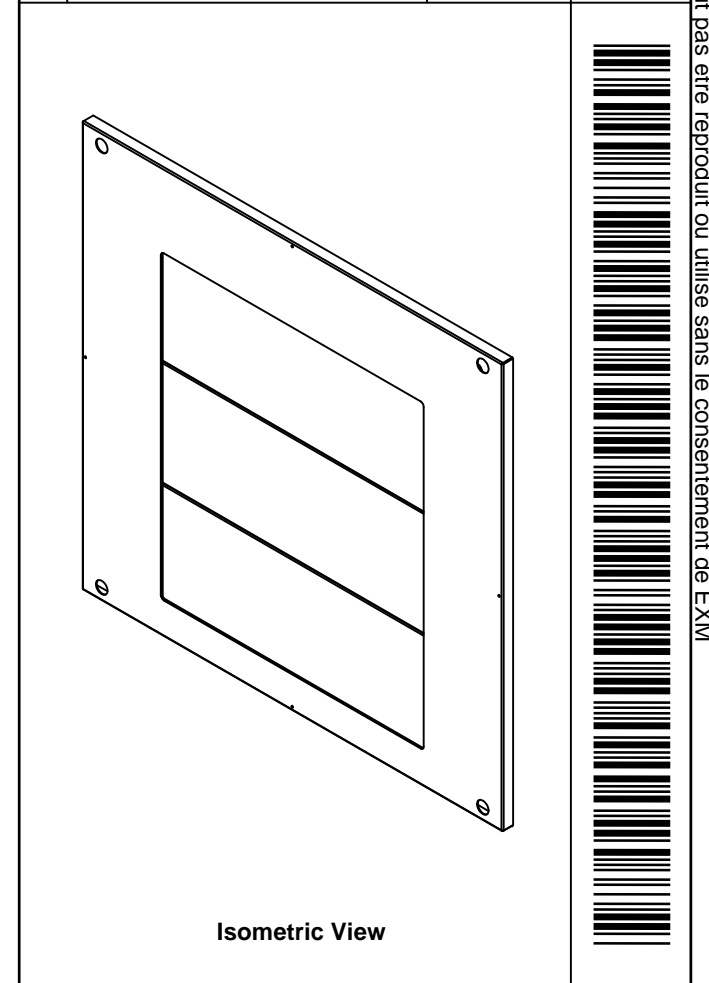



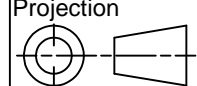
|  |  |          |
|--|--|----------|
|  | Description                            | Status   |
|  | 6500 MXB 800mm x 800mm Bottom          | (NULL)   |
|  | Part Number                            | Rev.     |
|  | Numéro Pièce<br><b>6500MXK070808BT</b> | <b>0</b> |
|  |  | 2        |
|  |  | 3        |

This drawing is confidential and must not be reproduced or used without the consent of EXM

Ce dessin est confidentiel et ne doit pas être reproduit ou utilisé sans le consentement de EXM

| No. | Revisions | Date | By/Par |
|-----|-----------|------|--------|
|     |           |      |        |
|     |           |      |        |
|     |           |      |        |
|     |           |      |        |
|     |           |      |        |

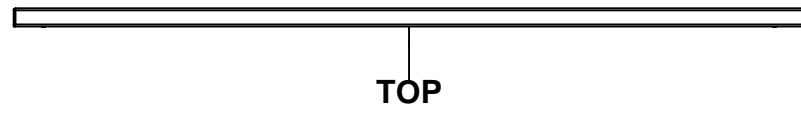


|  |                           |   |
|--|---------------------------|---|
|  Tél: (450) 979-4373<br>Fax: (450) 979-4626<br><a href="http://www.exmweb.com">www.exmweb.com</a> |                           | Flatness<br>Aplatissement<br>Max 3.0mm<br>Projection<br> |
| Customer<br>Client   | Date                      |   |
| Drawn By<br>Dessiné Par  | BoxCad: Annie             | Date 29/01/2015   |
| Material<br>Matière  | 16 Ga H.R.P. & O. (1.4mm) |   |
| Color<br>Couleur   | Iron Grey RAL7011         | Finish<br>Fini<br>Rough<br>Textured   |
| Description  | Detail Rev.               |   |
| 6500 MXB 800mm x 800mm Bottom  |                           |   |
| Part Number<br>Numéro Pièce  | Rev.                      | 3   |
| <b>6500MXK070808BT</b>   | <b>0</b>                  | <b>3</b>  |

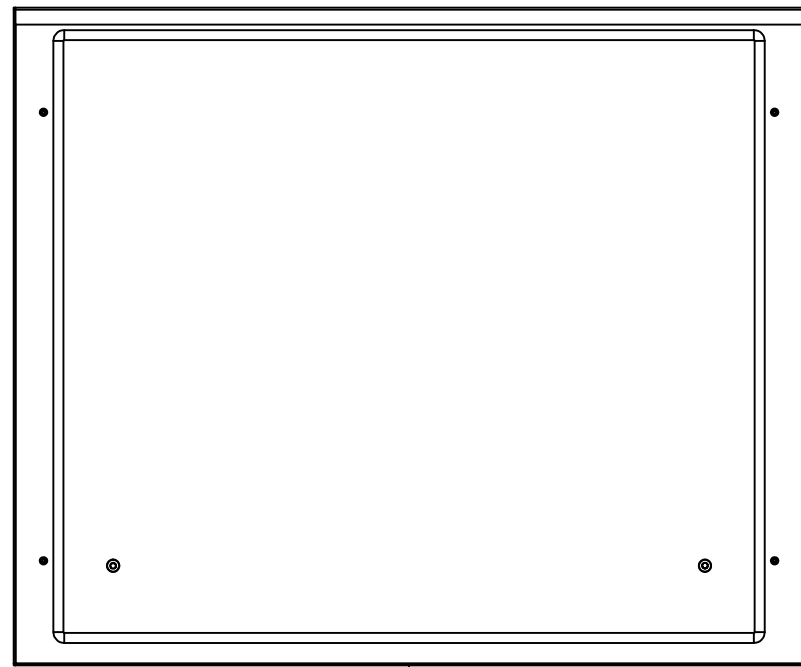
| Qty        | Part Number          | Rev | Description                                      |
|------------|----------------------|-----|--|
| 1          | STK-P-03810R         | 0   | Powder Paint (Iron Grey / Rough Textured)        |
| 6          | STK-Q-06001          | 0   | Mtrx - Gland Plate M6 Plastic Thumb Nut          |
| 2          | STK-Q-16055          | 1   | M6 x 18mm Stud (No Paint Cap Required)           |
| 3          | 6500MXK070808GP200-P | 0   | 6500 MXB 800mm Gland Plate Part (200mm)          |
| 6          | STK-Q-16031          | 0   | M6 x 10mm Stud (No Paint Cap Required)           |
| 1          | 6500MXK070808BTGPG   | 0   | 6500 MXB 800mm x 800mm Bottom Gland Plate Gasket |
| 1          | 6500MXK070808BTG     | 0   | 6500 MXB 800mm x 800mm Bottom Gasket             |
| 1          | 6500MXK070808BT-P    | 0   | 6500 MXB 800mm x 800mm Bottom Part               |
| Parts List |                      |     |  |

This drawing is confidential and must not be reproduced or used without the consent of EXM

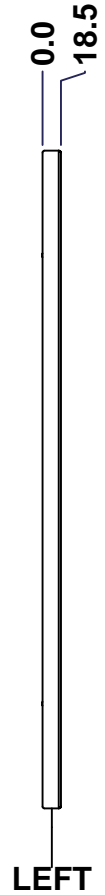
Ce dessin est confidentiel et ne doit pas être reproduit ou utilisé sans le consentement de EXM



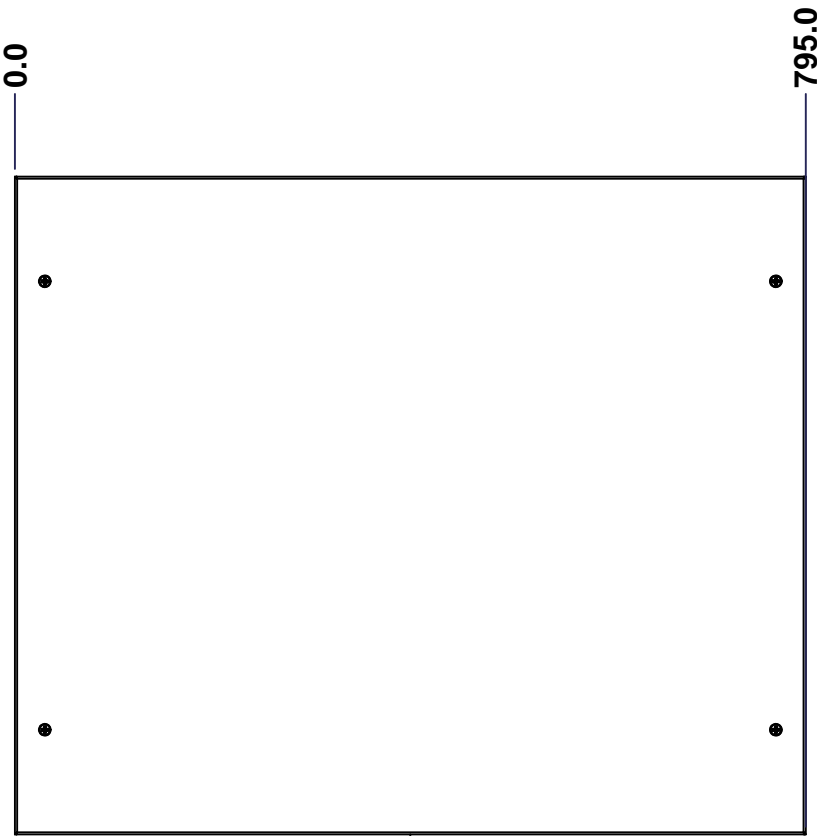
TOP



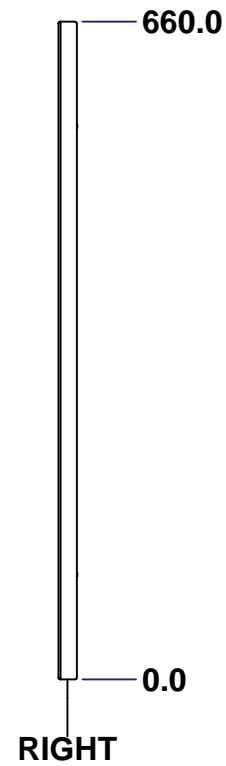
BACK



LEFT



FRONT



RIGHT



BOTTOM

| No. | Revisions | Date | By/Par |
|-----|-----------|------|--------|
|     |           |      |        |
|     |           |      |        |
|     |           |      |        |
|     |           |      |        |

Isometric View

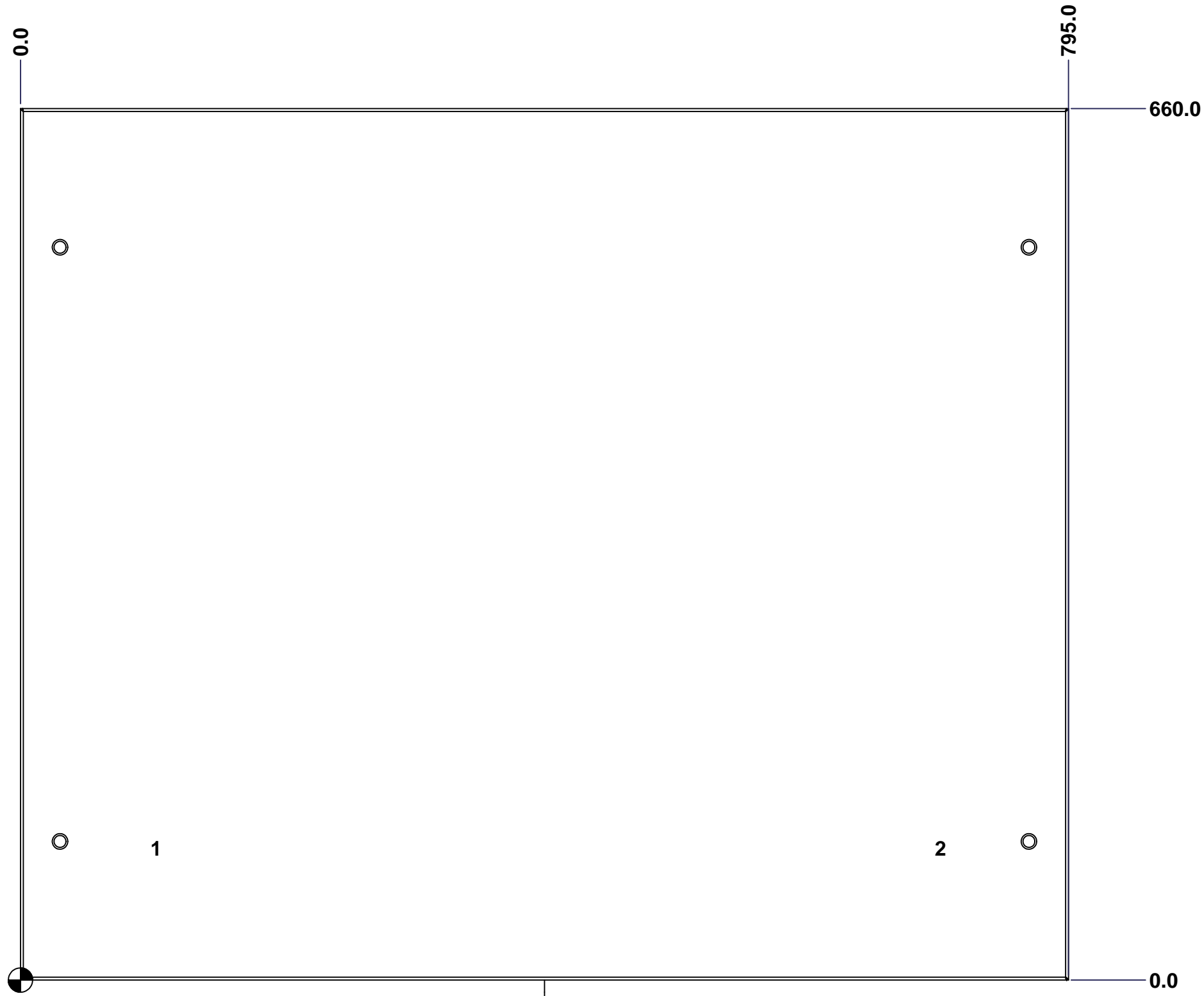
|   |  |                               |             |
|---|--|-------------------------------|-------------|
| <p>Tél: (450) 979-4373<br/>Fax: (450) 979-4626<br/><a href="http://www.exmweb.com">www.exmweb.com</a></p> |  | Flatness<br>Aplatissement     |             |
|   |  | Max 3.0mm                     |             |
| Customer<br>Client  |  | Date                          |             |
| Drawn By<br>Dessiné Par BoxCad: Annie   |  | Date 29/01/2015               |             |
| Material<br>Matière 16 Ga H.R.P. & O. (1.4mm)   |  |                               |             |
| Color<br>Couleur Light Grey RAL7035   |  | Finish<br>Fini Rough Textured |             |
| Description<br>6500 MXR 700mm x 800mm Back  |  |                               | Detail Rev. |
| Part Number<br>Numéro Pièce <b>6500MXK070808B</b>   |  | Rev. <b>0</b>                 | 1<br>3      |

SEE BILL OF MATERIAL ON LAST PAGE

This drawing is confidential and must not be reproduced or used without the consent of EXM

Ce dessin est confidentiel et ne doit pas être reproduit ou utilisé sans le consentement de EXM

| STANDARD FEATURES ARE NOT LISTED IN THIS HOLE TABLE |       |       |                             |
|---|-------|-------|-----------------------------|
| HOLE TABLE - FRONT VIEW (CUSTOM FEATURE ONLY)       |       |       |                             |
| CUT-OUT   | XDIM  | YDIM  | DESCRIPTION                 |
| 1   | 100.0 | 100.0 | GND STUD M6 x 16mm (Inside) |
| 2   | 695.0 | 100.0 | GND STUD M6 x 16mm (Inside) |



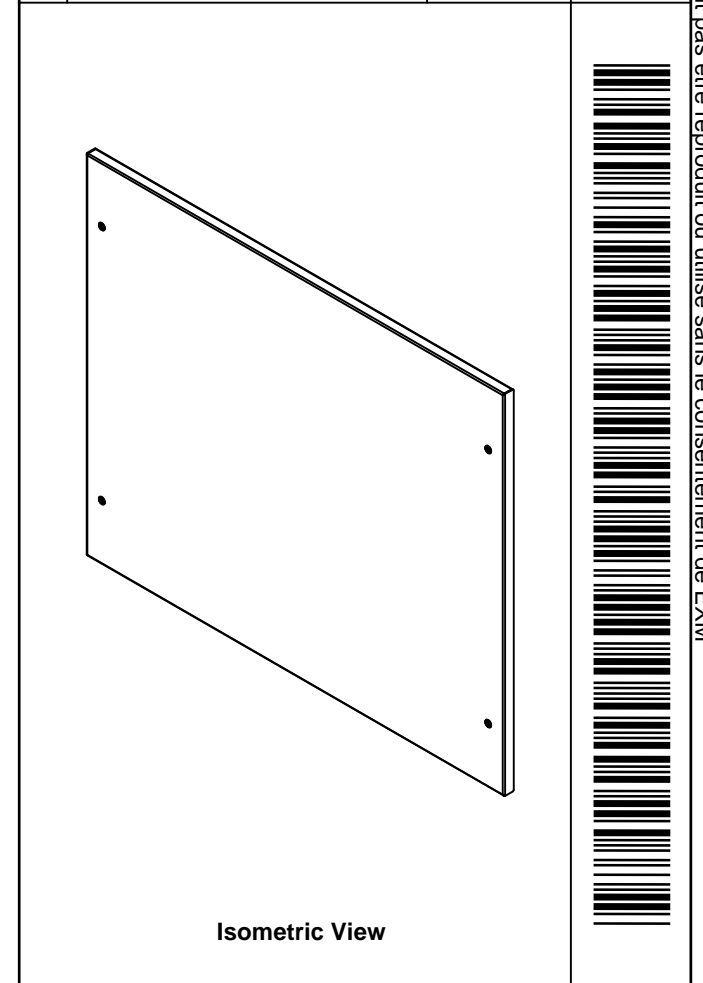
FRONT

|  |                             |          |
|--|-----------------------------|----------|
|  | Description                 | Status   |
|  | 6500 MXR 700mm x 800mm Back | (NULL)   |
|  | Part Number<br>Numéro Pièce | Rev.     |
|  | <b>6500MXK070808B</b>       | <b>0</b> |
|  |                             | 2        |
|  |                             | 3        |

This drawing is confidential and must not be reproduced or used without the consent of EXM

Ce dessin est confidentiel et ne doit pas être reproduit ou utilisé sans le consentement de EXM

| No. | Revisions | Date | By/Par |
|-----|-----------|------|--------|
|     |           |      |        |
|     |           |      |        |
|     |           |      |        |
|     |           |      |        |
|     |           |      |        |

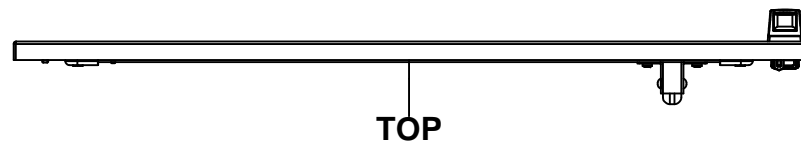


|  |  |                               |             |
|--|--|-------------------------------|-------------|
| Tél: (450) 979-4373<br>Fax: (450) 979-4626<br><a href="http://www.exmweb.com">www.exmweb.com</a> |  | Flatness<br>Aplatissement     |             |
|  |  | Max 3.0mm<br>Projection       |             |
| Customer<br>Client   |  | Date                          |             |
| Drawn By<br>Dessiné Par BoxCad: Annie  |  | Date 29/01/2015               |             |
| Material<br>Matière 16 Ga H.R.P. & O. (1.4mm)  |  |                               |             |
| Color<br>Couleur Light Grey RAL7035  |  | Finish<br>Fini Rough Textured |             |
| Description<br>6500 MXR 700mm x 800mm Back   |  |                               | Detail Rev. |
| Part Number<br>Numéro Pièce <b>6500MXK070808B</b>  |  |                               | Rev. 3      |

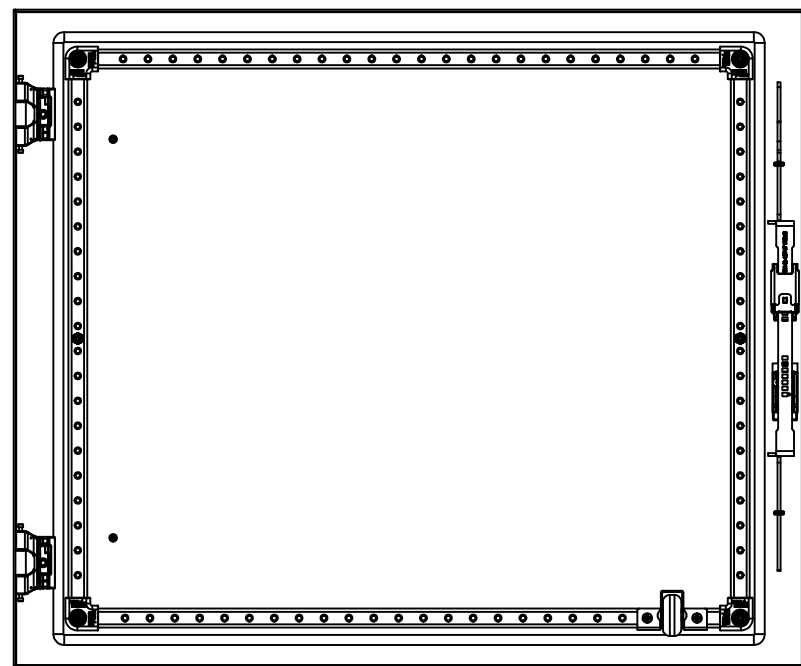
| Qty        | Part Number      | Rev   | Description                                |
|------------|------------------|-------|--|
| 1          | STK-P-03820R     | 0     | Powder Paint (Light Grey / Rough Textured) |
| 4          | STK-Q-03072      | 2     | M6 x 17mm Phillips Flat Head Screw         |
| 2          | STK-Q-16080      | 0.1.1 | M6 x 16mm Ground Stud                      |
| 1          | 6500MXK070808BG  | 0     | 6500 MXR 700mm x 800mm Back Gasket         |
| 1          | 6500MXK070808B-P | 0     | 6500 MXR 700mm x 800mm Back Part           |
| Parts List |                  |       |  |

This drawing is confidential and must not be reproduced or used without the consent of EXM

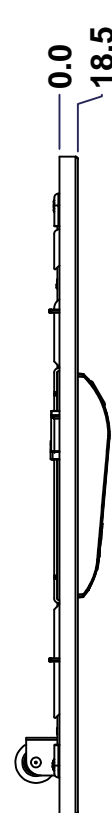
Ce dessin est confidentiel et ne doit pas être reproduit ou utilisé sans le consentement de EXM



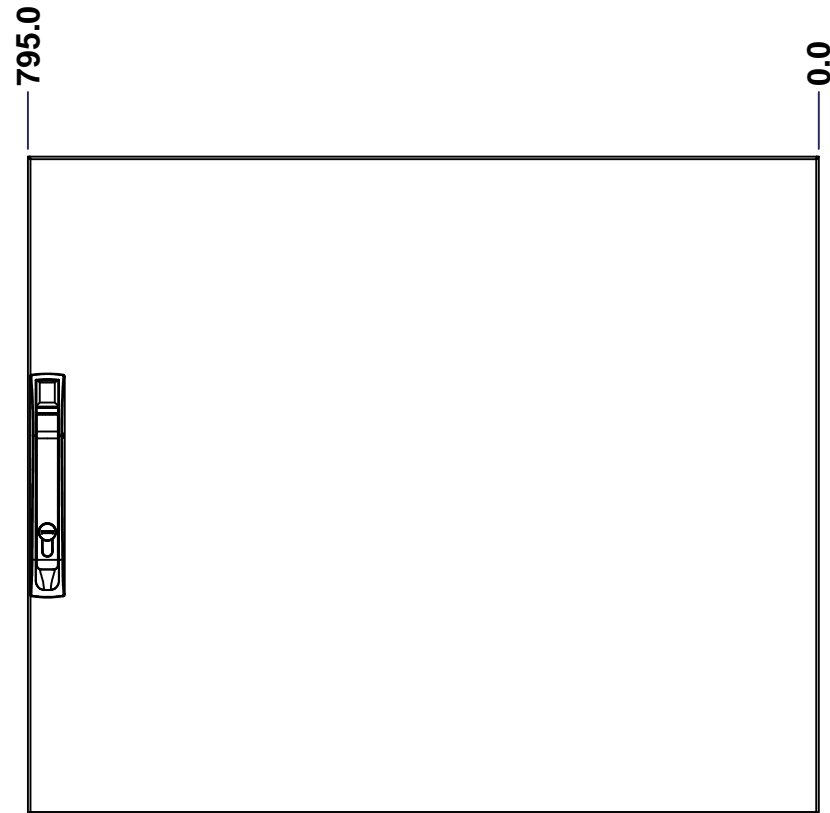
TOP



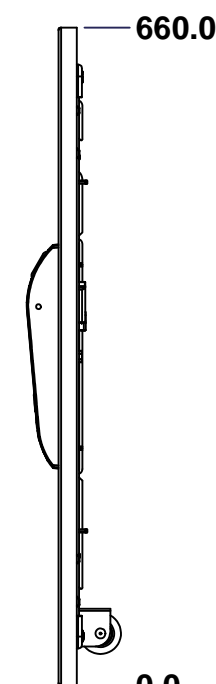
BACK



LEFT



FRONT

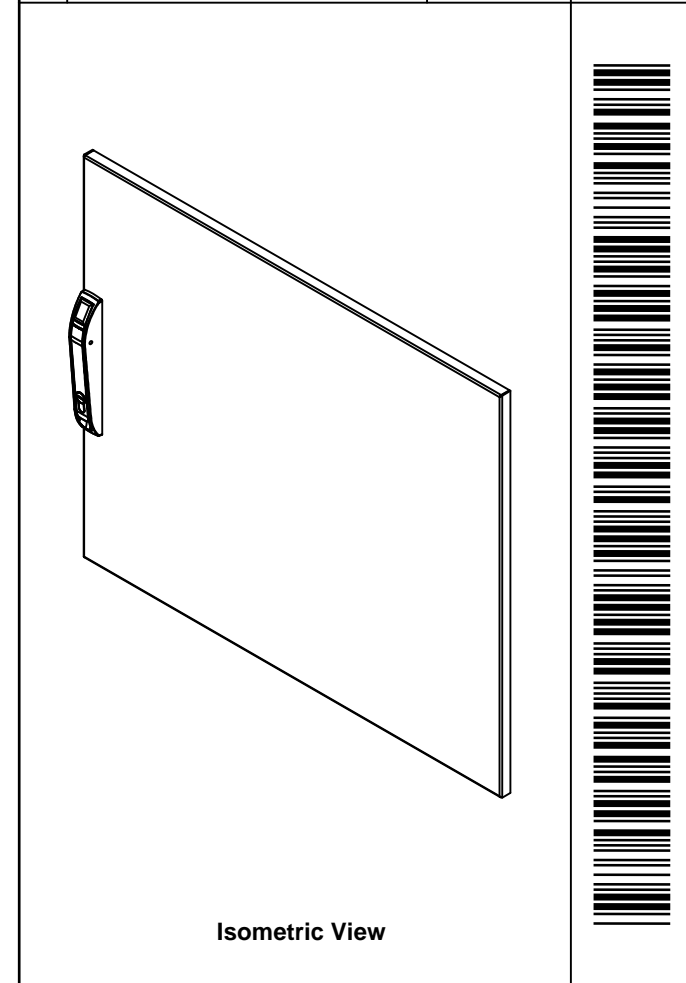


RIGHT




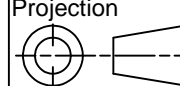
BOTTOM

| No. | Revisions | Date | By/Par |
|-----|-----------|------|--------|
|     |           |      |        |
|     |           |      |        |
|     |           |      |        |
|     |           |      |        |



Isometric View



|  |                             |   |
|--|-----------------------------|---|
|  Tél: (450) 979-4373<br>Fax: (450) 979-4626<br><a href="http://www.exmweb.com">www.exmweb.com</a> |                             | Flatness<br>Aplatissement<br>Max 3.0mm<br>Projection<br> |
| Customer Client  | Date                        |   |
| Drawn By / Dessiné Par: BoxCad: Annie  | Date: 29/01/2015            |   |
| Material Matière: 14 Ga H.R.P. & O. (1.7mm)  |                             |   |
| Color Couleur: Light Grey RAL7035  | Finish Fini: Rough Textured |   |
| Description: 6500 MXD 700mm x 800mm Front  |                             | Detail Rev.   |
| Part Number / Numéro Pièce: 6500MXK070808F   | Rev. 0                      | 1 / 3   |

SEE BILL OF MATERIAL ON LAST PAGE

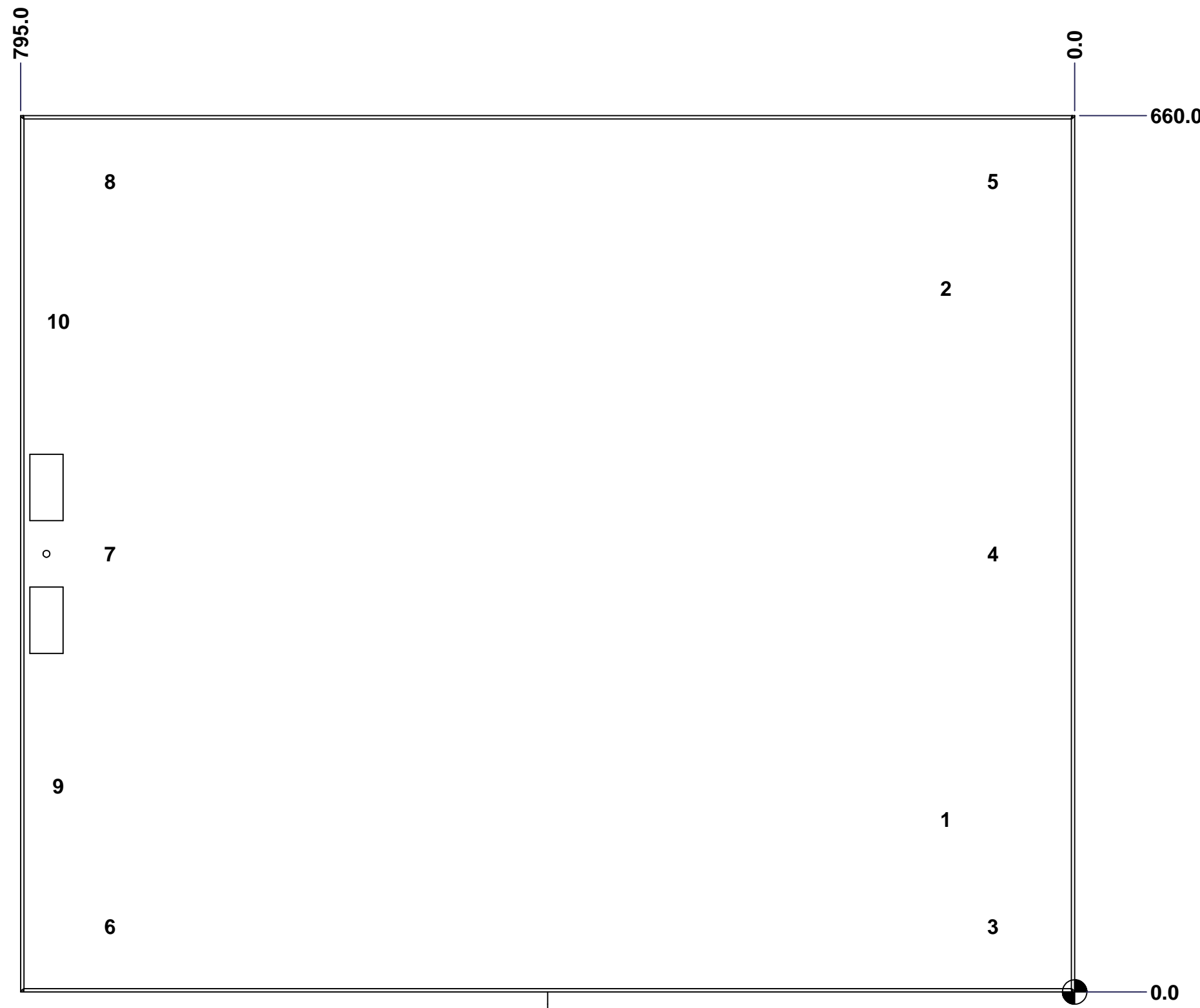
This drawing is confidential and must not be reproduced or used without the consent of EXM

Ce dessin est confidentiel et ne doit pas être reproduit ou utilisé sans le consentement de EXM

**STANDARD FEATURES ARE NOT LISTED IN THIS HOLE TABLE**

**HOLE TABLE - FRONT VIEW (CUSTOM FEATURE ONLY)**

| CUT-OUT | XDIM  | YDIM  | DESCRIPTION                    |
|---------|-------|-------|--------------------------------|
| 1       | 100.0 | 130.0 | GND STUD M6 x 16mm (Inside)    |
| 2       | 100.0 | 530.0 | GND STUD M6 x 16mm (Inside)    |
| 3       | 64.5  | 49.5  | STIFF. STUD M6 x 18mm (Inside) |
| 4       | 64.5  | 330.0 | STIFF. STUD M6 x 18mm (Inside) |
| 5       | 64.5  | 610.5 | STIFF. STUD M6 x 18mm (Inside) |
| 6       | 730.5 | 49.5  | STIFF. STUD M6 x 18mm (Inside) |
| 7       | 730.5 | 330.0 | STIFF. STUD M6 x 18mm (Inside) |
| 8       | 730.5 | 610.5 | STIFF. STUD M6 x 18mm (Inside) |
| 9       | 769.5 | 155.0 | CLOSING BAR GUIDE (Inside)     |
| 10      | 769.5 | 505.0 | CLOSING BAR GUIDE (Inside)     |

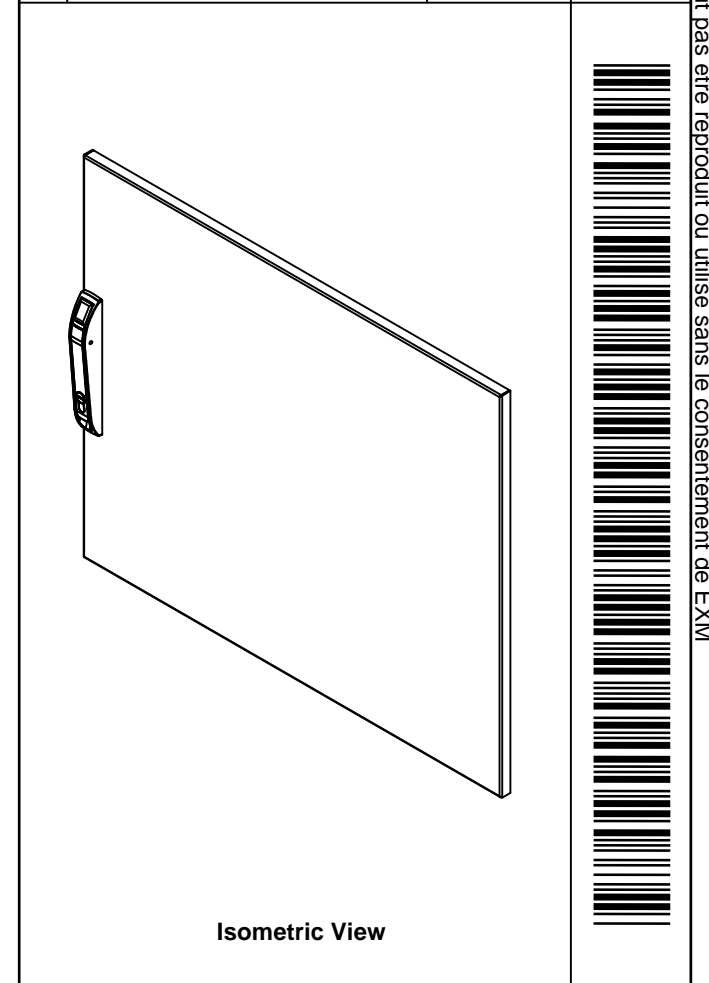


|  |                              |          |
|--|------------------------------|----------|
|  | Description                  | Status   |
|  | 6500 MXD 700mm x 800mm Front | (NULL)   |
|  | Part Number<br>Numéro Pièce  | Rev.     |
|  | <b>6500MXK070808F</b>        | <b>0</b> |
|  |                              | 2        |
|  |                              | 3        |

This drawing is confidential and must not be reproduced or used without the consent of EXM

Ce dessin est confidentiel et ne doit pas être reproduit ou utilisé sans le consentement de EXM

| No. | Revisions | Date | By/Par |
|-----|-----------|------|--------|
|     |           |      |        |
|     |           |      |        |
|     |           |      |        |
|     |           |      |        |
|     |           |      |        |



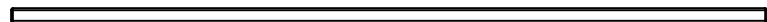
| 1          | STK-P-03820R     | 0   | Powder Paint (Light Grey / Rough Textured) |
|------------|------------------|-----|--|
| 1          | 6500MXSRK        | 1   | 6500 MXRSK Door Support Roller             |
| 2          | STK-Q-78022      | 0   | Mtrx Closing Bar Slider                    |
| 1          | STK-Q-45746-07   | 1   | 6500 MXD - Lock Door Closing Bar           |
| 2          | STK-Q-33105      | 4   | 5412 ESBU Buttable Hinge (Cover Part)      |
| 1          | STK-Q-45729-07   | 2   | 6500 MXD - Lock Door Top Closing Bar       |
| 1          | 886PHD-S         | 4   | Euroform Pull Handle Kit                   |
| 8          | STK-Q-16055      | 1   | M6 x 18mm Stud (No Paint Cap Required)     |
| 1          | 6500MXK070808DS1 | 5   | 6500 MX 700mm x 800mm Door Stiffener       |
| 1          | 6500MXK070808FG  | 0   | 6500 MXD 700mm x 800mm Front Gasket        |
| 1          | 6500MXK070808F-P | 0   | 6500 MXD 700mm x 800mm Front Part          |
| 2          | STK-K-06811      | 1   | 6500 MX - Hinge Assy                       |
| Qty        | Part Number      | Rev | Description                                |
| Parts List |                  |     |  |

|                             |  |                           |                   |
|-----------------------------|--|---------------------------|-------------------|
|                             | Tél: (450) 979-4373<br>Fax: (450) 979-4626<br><a href="http://www.exmweb.com">www.exmweb.com</a> | Flatness<br>Aplatissement | Max 3.0mm         |
|                             |  | Projection                |                   |
| Customer<br>Client          | Date   | Date 29/01/2015           |                   |
| Drawn By<br>Dessiné Par     | BoxCad: Annie  | Date 29/01/2015           |                   |
| Material<br>Matière         | 14 Ga H.R.P. & O. (1.7mm)  |                           |                   |
| Color<br>Couleur            | Light Grey RAL7035   | Finish<br>Fini            | Rough<br>Textured |
| Description                 | 6500 MXD 700mm x 800mm Front   |                           | Detail Rev.       |
| Part Number<br>Numéro Pièce | <b>6500MXK070808F</b>  |                           | Rev. 3            |
|                             |  |                           | <b>0</b>          |

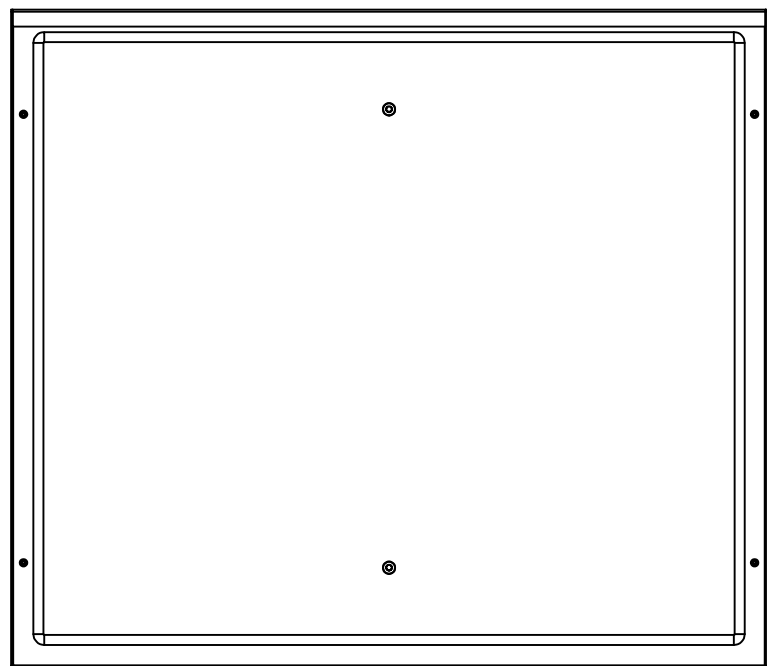


This drawing is confidential and must not be reproduced or used without the consent of EXM

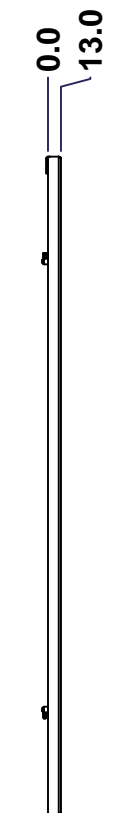
Ce dessin est confidentiel et ne doit pas être reproduit ou utilisé sans le consentement de EXM



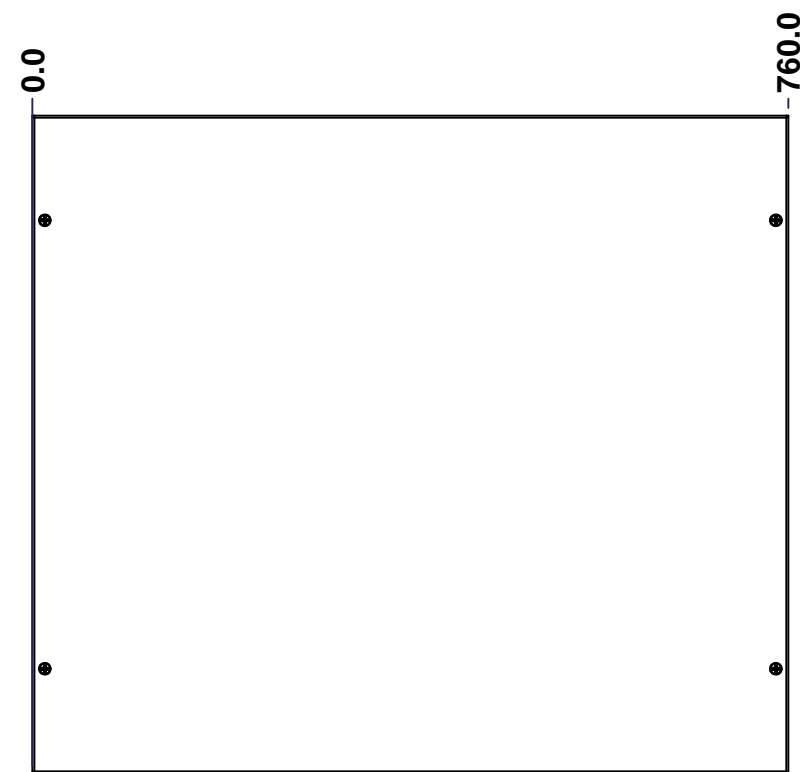
TOP



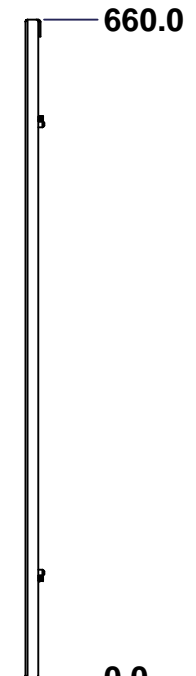
BACK



LEFT



FRONT

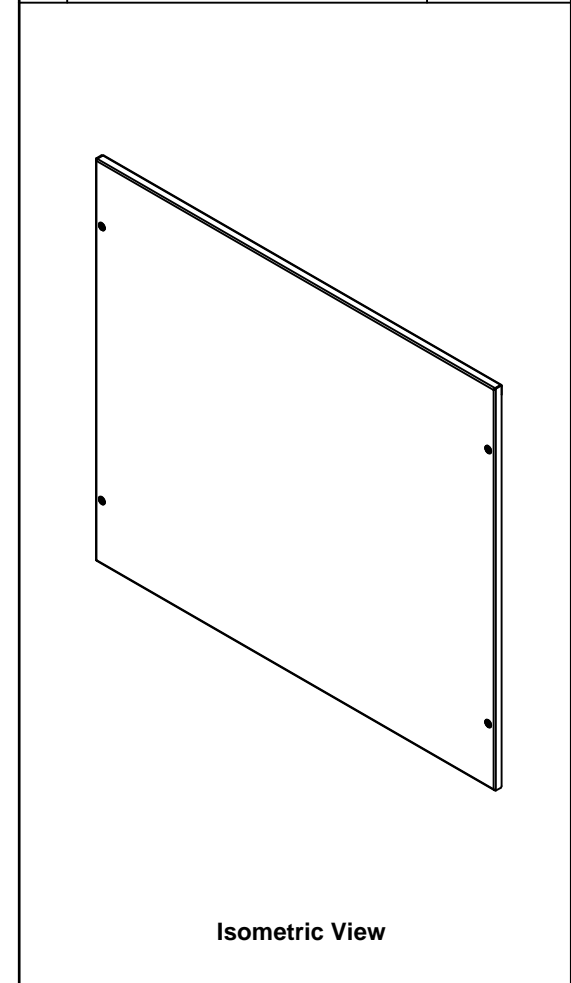


RIGHT




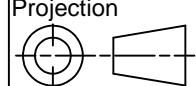
BOTTOM

| No. | Revisions | Date | By/Par |
|-----|-----------|------|--------|
|     |           |      |        |
|     |           |      |        |
|     |           |      |        |
|     |           |      |        |



Isometric View



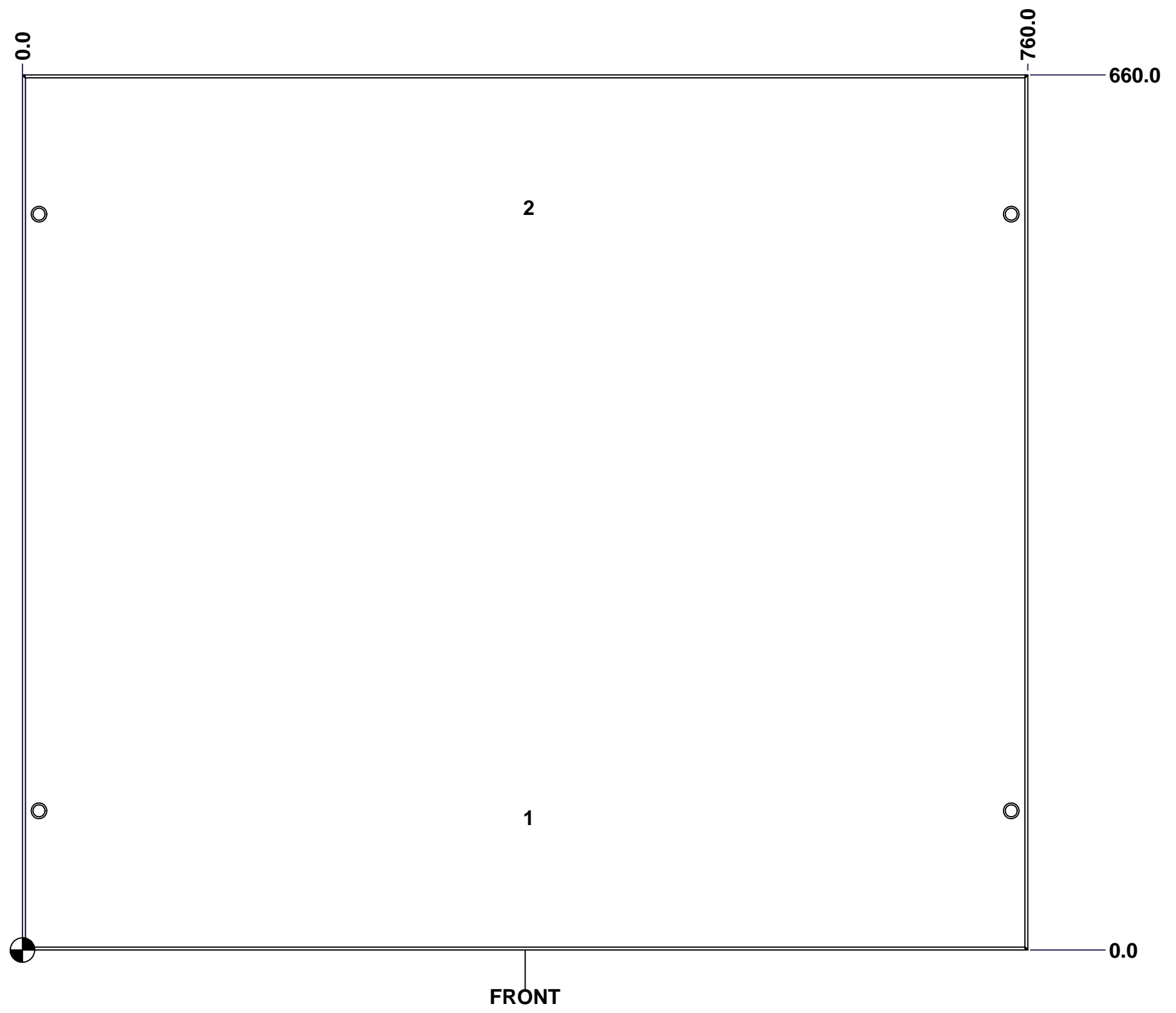
|  |                           |   |
|--|---------------------------|---|
|  Tél: (450) 979-4373<br>Fax: (450) 979-4626<br><a href="http://www.exmweb.com">www.exmweb.com</a> |                           | Flatness<br>Aplatissement<br>Max 3.0mm<br>Projection<br> |
| Customer Client  | Date                      |   |
| Drawn By<br>Dessiné Par  | BoxCad: Annie             | Date 29/01/2015   |
| Material<br>Matière  | 16 Ga H.R.P. & O. (1.4mm) |   |
| Color<br>Couleur   | Light Grey RAL7035        | Finish<br>Fini  |
| Description  |                           | Detail Rev.   |
| 6500 MXC 700mm x 800mm Left  |                           |   |
| Part Number<br>Numéro Pièce  | Rev.                      |   |
| <b>6500MXK070808L</b>  | <b>0</b>                  | 1 / 3   |

SEE BILL OF MATERIAL ON LAST PAGE

This drawing is confidential and must not be reproduced or used without the consent of EXM

Ce dessin est confidentiel et ne doit pas être reproduit ou utilisé sans le consentement de EXM

| STANDARD FEATURES ARE NOT LISTED IN THIS HOLE TABLE |       |       |                             |
|---|-------|-------|-----------------------------|
| HOLE TABLE - FRONT VIEW (CUSTOM FEATURE ONLY)       |       |       |                             |
| CUT-OUT   | XDIM  | YDIM  | DESCRIPTION                 |
| 1   | 380.0 | 100.0 | GND STUD M6 x 16mm (Inside) |
| 2   | 380.0 | 560.0 | GND STUD M6 x 16mm (Inside) |

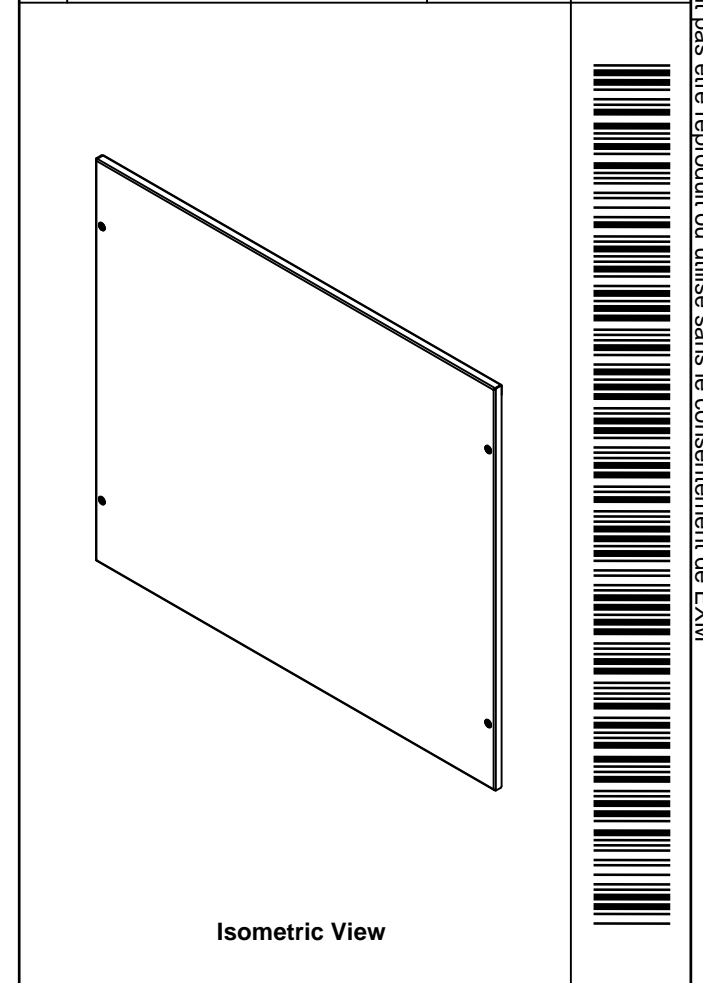


|  |                             |          |
|--|-----------------------------|----------|
|  | Description                 | Status   |
|  | 6500 MXC 700mm x 800mm Left | (NULL)   |
|  | Part Number<br>Numéro Pièce | Rev.     |
|  | <b>6500MXK070808L</b>       | <b>0</b> |
|  |                             | 2        |
|  |                             | 3        |

This drawing is confidential and must not be reproduced or used without the consent of EXM

Ce dessin est confidentiel et ne doit pas être reproduit ou utilisé sans le consentement de EXM

| No. | Revisions | Date | By/Par |
|-----|-----------|------|--------|
|     |           |      |        |
|     |           |      |        |
|     |           |      |        |
|     |           |      |        |
|     |           |      |        |



|  |  |                               |             |
|--|--|-------------------------------|-------------|
| Tél: (450) 979-4373<br>Fax: (450) 979-4626<br><a href="http://www.exmweb.com">www.exmweb.com</a> |  | Flatness<br>Aplatissement     |             |
|  |  | Max 3.0mm<br>Projection       |             |
| Customer<br>Client   |  | Date                          |             |
| Drawn By<br>Dessiné Par BoxCad: Annie  |  | Date 29/01/2015               |             |
| Material<br>Matière 16 Ga H.R.P. & O. (1.4mm)  |  |                               |             |
| Color<br>Couleur Light Grey RAL7035  |  | Finish<br>Fini Rough Textured |             |
| Description<br>6500 MXC 700mm x 800mm Left   |  |                               | Detail Rev. |
| Part Number<br>Numéro Pièce <b>6500MXK070808L</b>  |  | Rev. <b>0</b>                 | 3<br>3      |

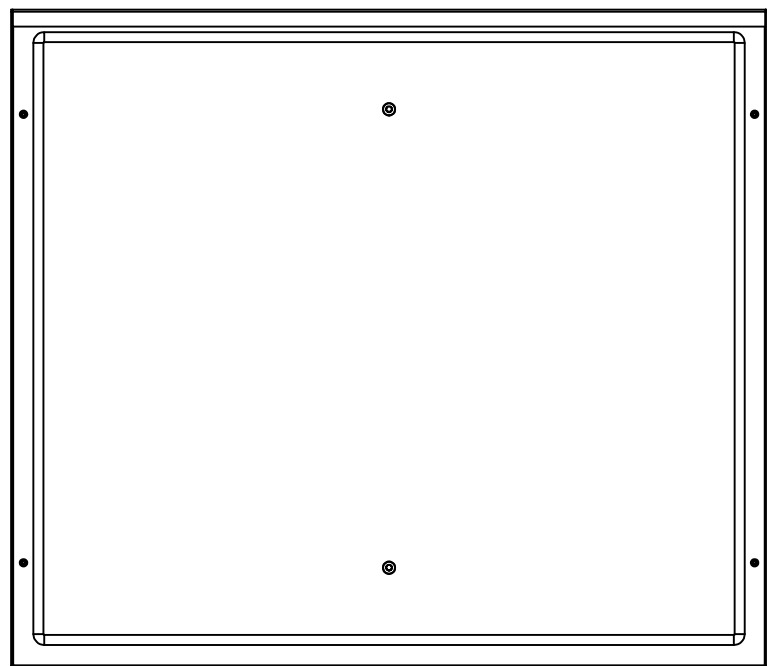
| Qty        | Part Number      | Rev   | Description                                |
|------------|------------------|-------|--|
| 1          | STK-P-03820R     | 0     | Powder Paint (Light Grey / Rough Textured) |
| 4          | STK-Q-03072      | 2     | M6 x 17mm Phillips Flat Head Screw         |
| 2          | STK-Q-16080      | 0.1.1 | M6 x 16mm Ground Stud                      |
| 1          | 6500MXK070808LG  | 0     | 6500 MXC 700mm x 800mm Left Gasket         |
| 1          | 6500MXK070808L-P | 0     | 6500 MXC 700mm x 800mm Left Part           |
| Parts List |                  |       |  |

This drawing is confidential and must not be reproduced or used without the consent of EXM

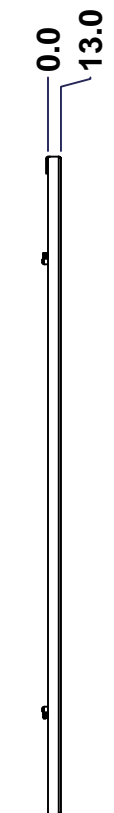
Ce dessin est confidentiel et ne doit pas être reproduit ou utilisé sans le consentement de EXM



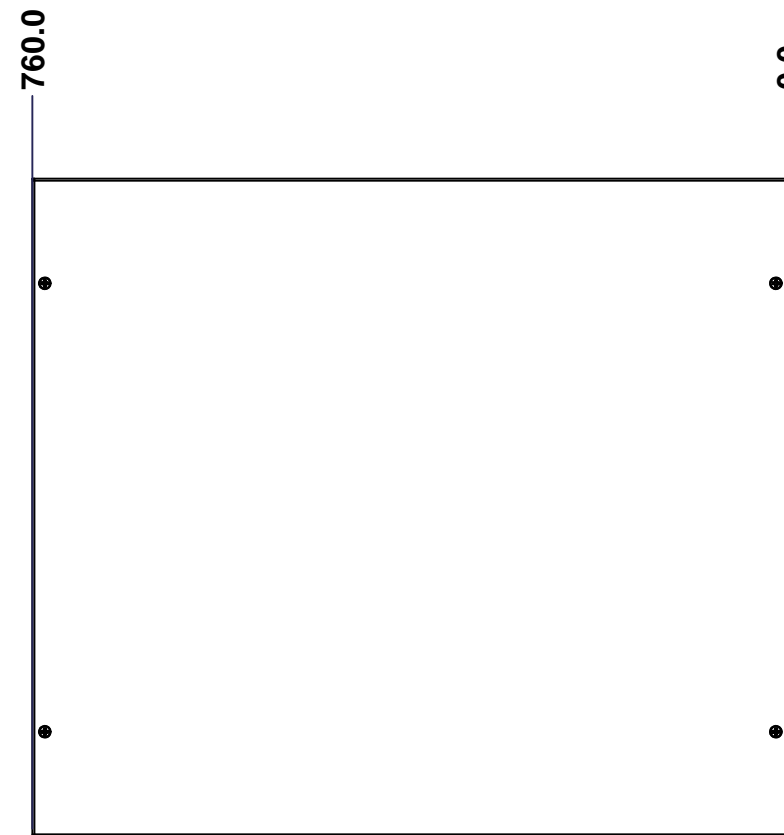
TOP



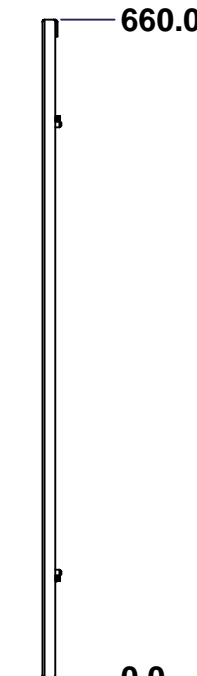
BACK



LEFT



FRONT

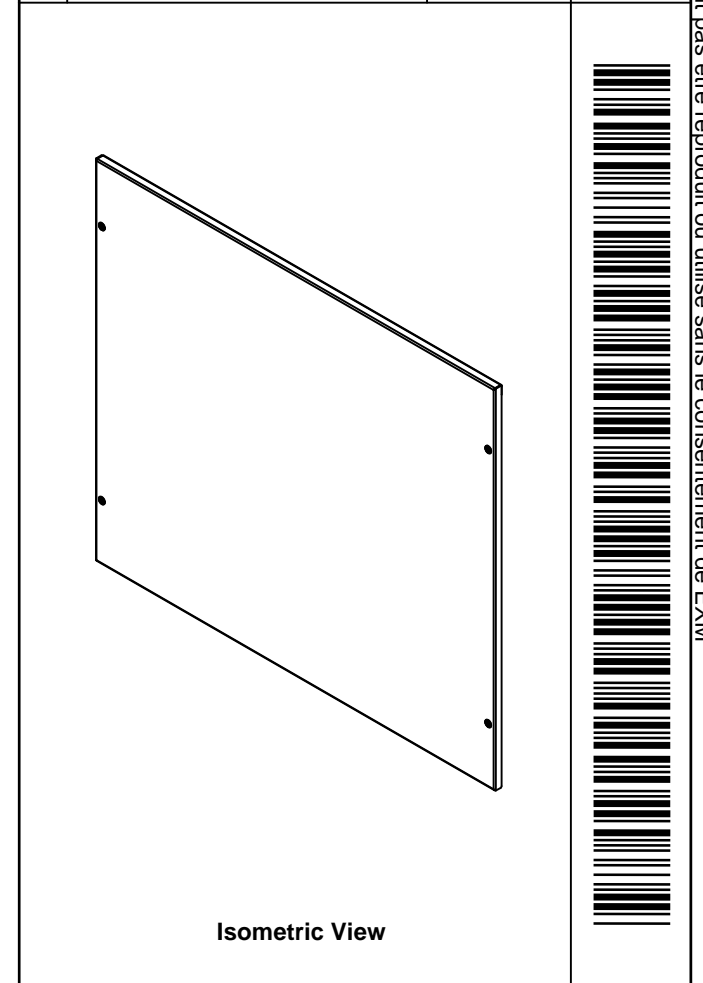


RIGHT


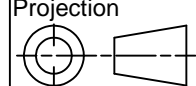


BOTTOM

| No. | Revisions | Date | By/Par |
|-----|-----------|------|--------|
|     |           |      |        |
|     |           |      |        |
|     |           |      |        |
|     |           |      |        |



Isometric View

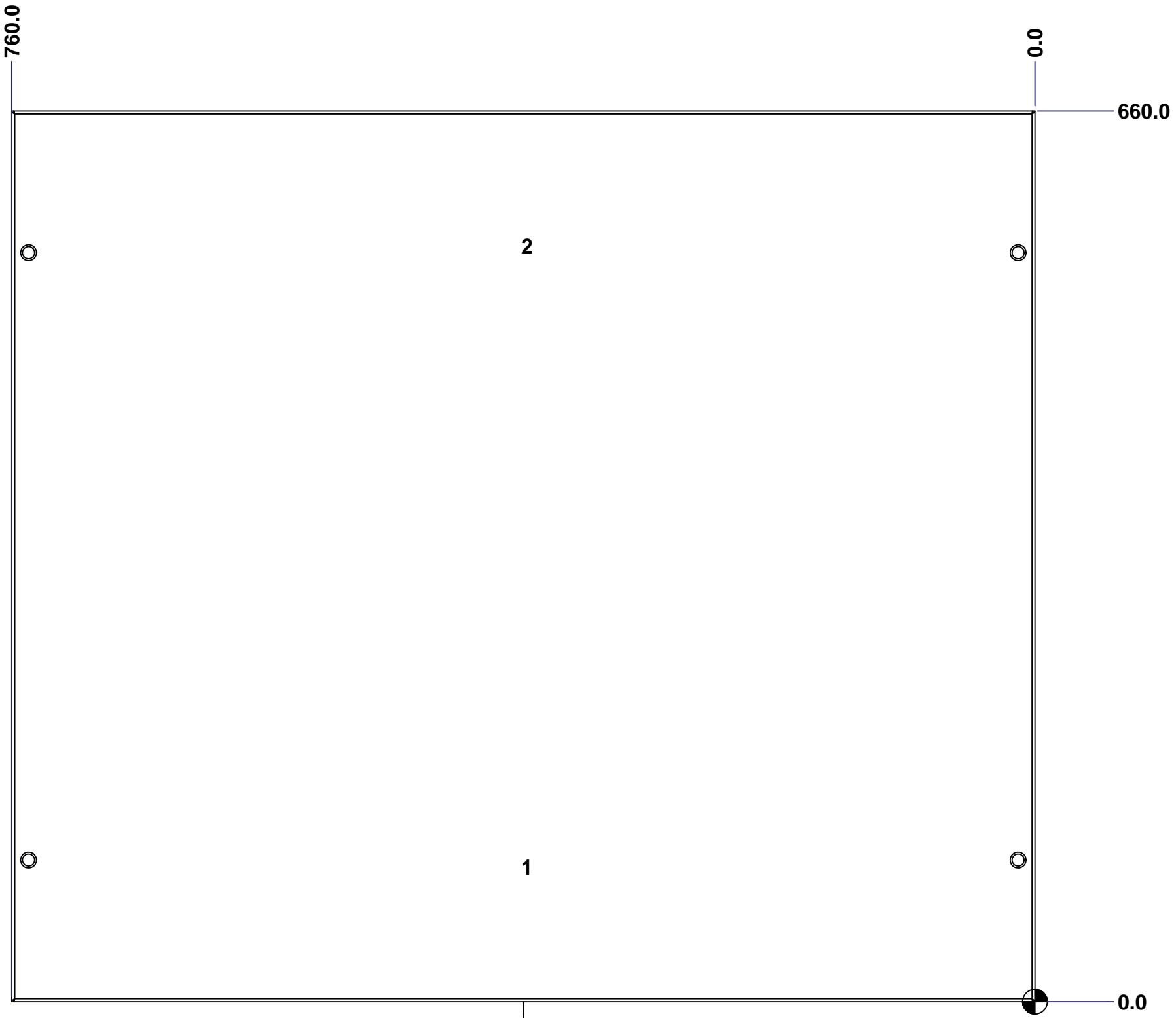
|  |                                 |   |
|--|---------------------------------|---|
|  Tél: (450) 979-4373<br>Fax: (450) 979-4626<br><a href="http://www.exmweb.com">www.exmweb.com</a> |                                 | Flatness<br>Aplatissement<br>Max 3.0mm<br>Projection<br> |
| Customer Client  | Date                            |   |
| Drawn By / Dessiné Par: BoxCad: Annie  | Date: 29/01/2015                |   |
| Material / Matière: 16 Ga H.R.P. & O. (1.4mm)  |                                 |   |
| Color / Couleur: Light Grey RAL7035  | Finish / Fini: Rough / Textured |   |
| Description: 6500 MXC 700mm x 800mm Right  |                                 | Detail Rev.   |
| Part Number / Numéro Pièce: <b>6500MXK070808R</b>  | Rev. <b>0</b>                   | 1 / 3   |

SEE BILL OF MATERIAL ON LAST PAGE

This drawing is confidential and must not be reproduced or used without the consent of EXM

Ce dessin est confidentiel et ne doit pas être reproduit ou utilisé sans le consentement de EXM

| STANDARD FEATURES ARE NOT LISTED IN THIS HOLE TABLE |       |       |                             |
|---|-------|-------|-----------------------------|
| HOLE TABLE - FRONT VIEW (CUSTOM FEATURE ONLY)       |       |       |                             |
| CUT-OUT   | XDIM  | YDIM  | DESCRIPTION                 |
| 1   | 380.0 | 100.0 | GND STUD M6 x 16mm (Inside) |
| 2   | 380.0 | 560.0 | GND STUD M6 x 16mm (Inside) |



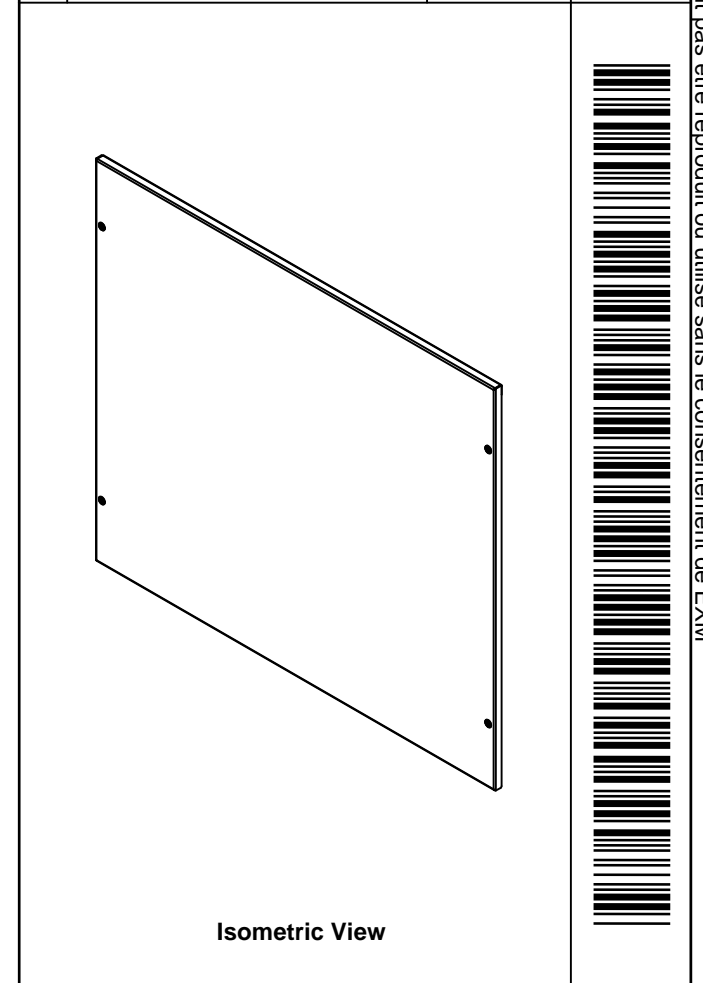
FRONT


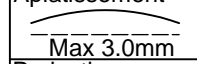
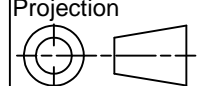
|  |                              |          |
|--|------------------------------|----------|
|  | Description                  | Status   |
|  | 6500 MXC 700mm x 800mm Right | (NULL)   |
|  | Part Number<br>Numéro Pièce  | Rev.     |
|  | <b>6500MXK070808R</b>        | <b>0</b> |
|  |                              | 2        |
|  |                              | 3        |

This drawing is confidential and must not be reproduced or used without the consent of EXM

Ce dessin est confidentiel et ne doit pas être reproduit ou utilisé sans le consentement de EXM

| No. | Revisions | Date | By/Par |
|-----|-----------|------|--------|
|     |           |      |        |
|     |           |      |        |
|     |           |      |        |
|     |           |      |        |
|     |           |      |        |

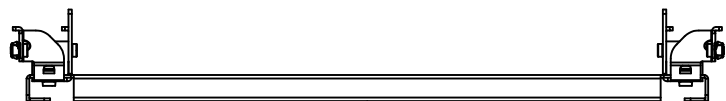


|  |  |  |
|--|--|--|
|  Tél: (450) 979-4373<br>Fax: (450) 979-4626<br><a href="http://www.exmweb.com">www.exmweb.com</a> |  | Flatness<br>Aplatissement<br> Max 3.0mm |
| Customer<br>Client   |  | Projection<br>                          |
| Drawn By<br>Dessiné Par BoxCad: Annie  |  | Date 29/01/2015  |
| Material<br>Matière 16 Ga H.R.P. & O. (1.4mm)  |  |  |
| Color<br>Couleur Light Grey RAL7035  |  | Finish<br>Fini Rough Textured  |
| Description<br>6500 MXC 700mm x 800mm Right  |  | Detail Rev.  |
| Part Number<br>Numéro Pièce <b>6500MXK070808R</b>  |  | Rev. 3<br><b>0</b>   |

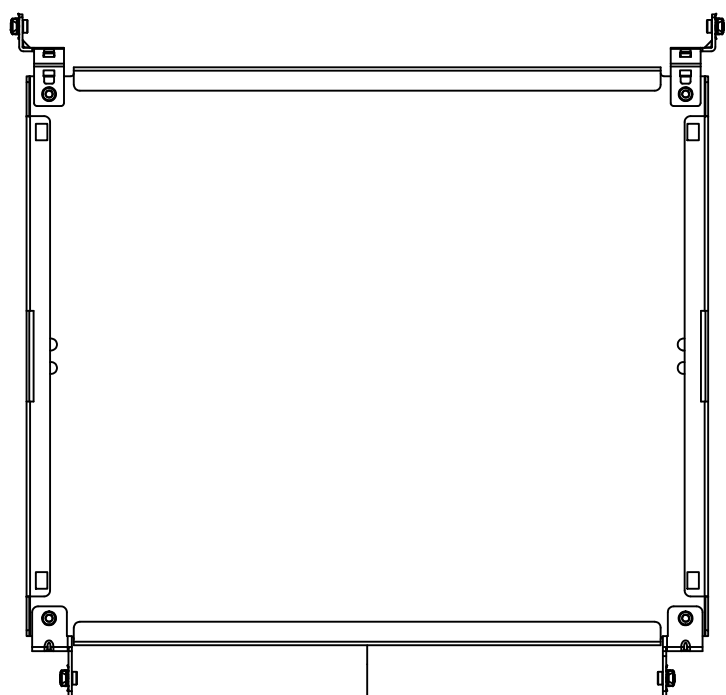
| Qty        | Part Number      | Rev   | Description                                |
|------------|------------------|-------|--|
| 1          | STK-P-03820R     | 0     | Powder Paint (Light Grey / Rough Textured) |
| 4          | STK-Q-03072      | 2     | M6 x 17mm Phillips Flat Head Screw         |
| 2          | STK-Q-16080      | 0.1.1 | M6 x 16mm Ground Stud                      |
| 1          | 6500MXK070808RG  | 0     | 6500 MXC 700mm x 800mm Right Gasket        |
| 1          | 6500MXK070808R-P | 0     | 6500 MXC 700mm x 800mm Right Part          |
| Parts List |                  |       |  |

This drawing is confidential and must not be reproduced or used without the consent of EXM

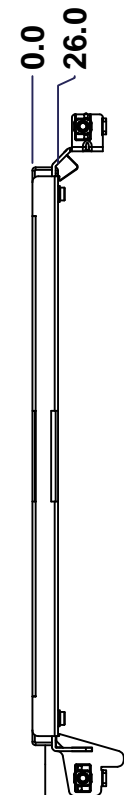
Ce dessin est confidentiel et ne doit pas être reproduit ou utilisé sans le consentement de EXM



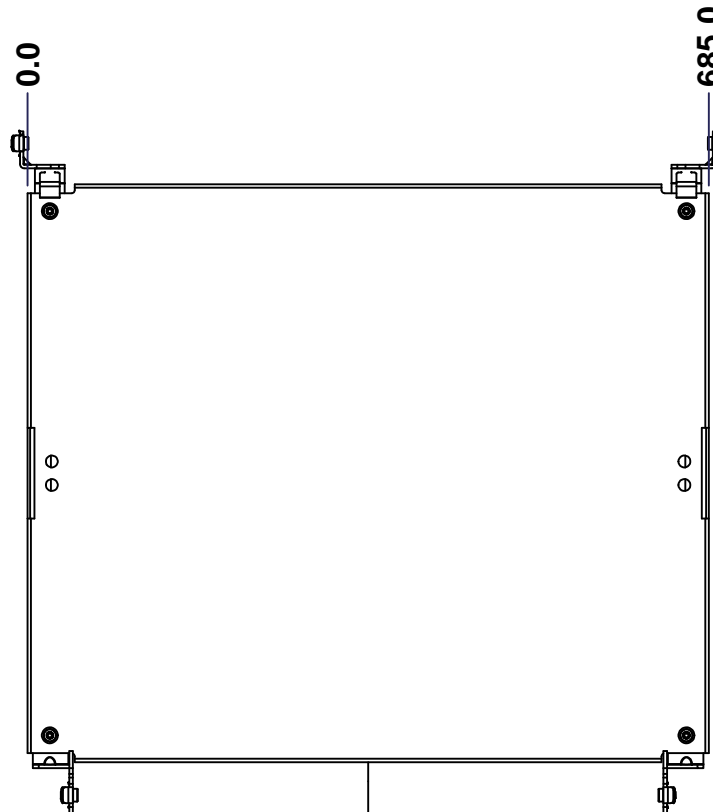
TOP



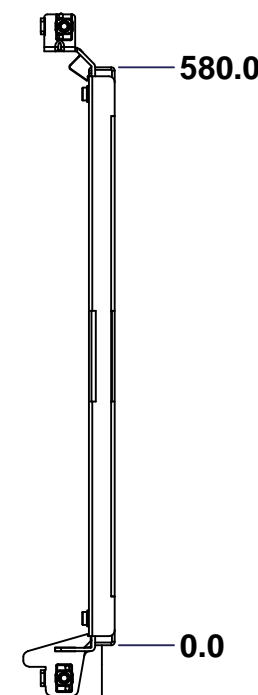
BACK



LEFT



FRONT

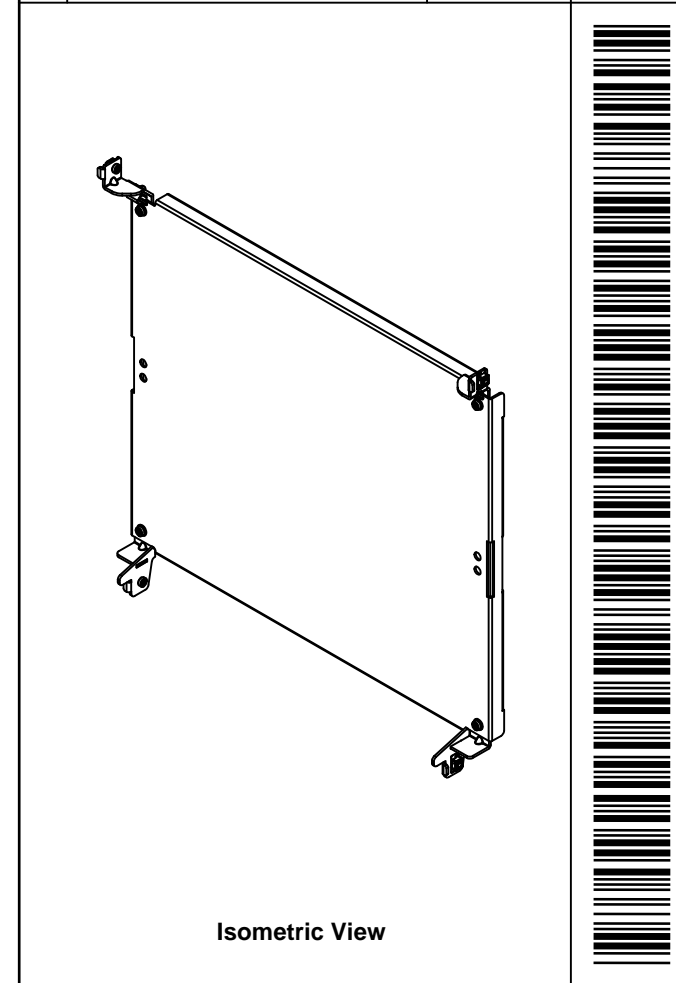



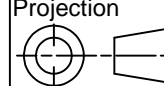
RIGHT



BOTTOM

| No. | Revisions | Date | By/Par |
|-----|-----------|------|--------|
|     |           |      |        |
|     |           |      |        |
|     |           |      |        |
|     |           |      |        |



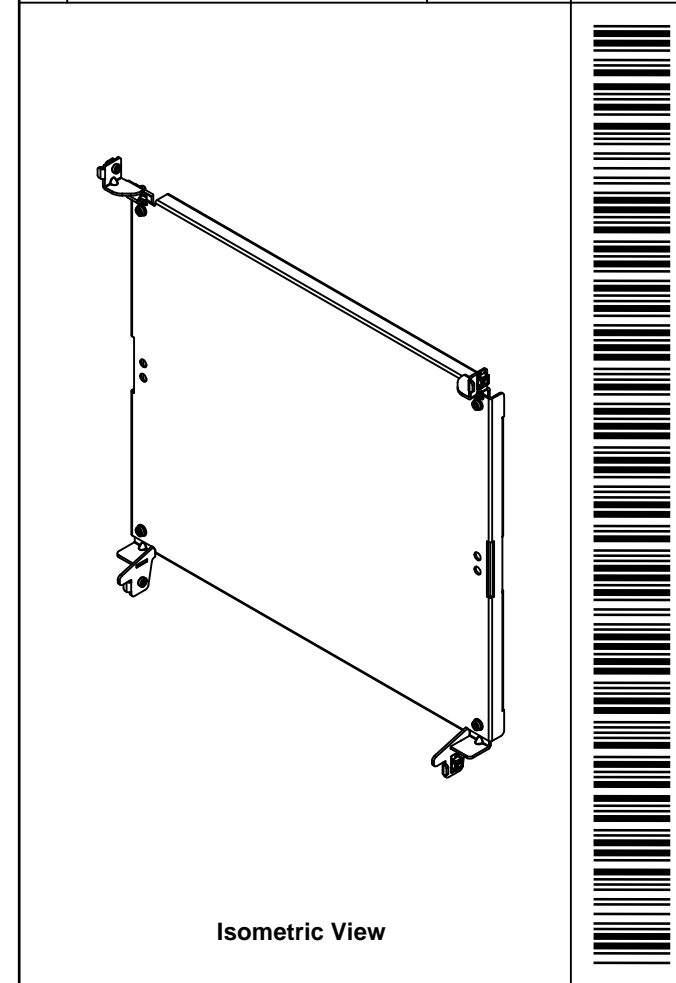
|  |  |   |             |
|--|--|---|-------------|
|  Tél: (450) 979-4373<br>Fax: (450) 979-4626<br><a href="http://www.exmweb.com">www.exmweb.com</a> |  | Flatness<br>Aplatissement<br>Max 3.0mm  |             |
|  |  | Projection<br> |             |
| Customer Client  |  | Date  |             |
| Drawn By<br>Dessiné Par BoxCad: Annie  |  | Date 29/01/2015   |             |
| Material<br>Matière 12 Ga Galvanized (2.5mm)   |  |   |             |
| Color<br>Couleur Unpainted   |  | Finish<br>Fini Unpainted  |             |
| Description<br>6500 MXM 700mm x 800mm Back Inner Panel   |  |   | Detail Rev. |
| Part Number<br>Numéro Pièce <b>6500MXK070808BIP</b>  |  | Rev. <b>0</b>   | 1<br>3      |


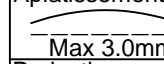
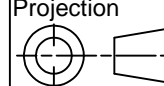
SEE BILL OF MATERIAL ON LAST PAGE

This drawing is confidential and must not be reproduced or used without the consent of EXM

Ce dessin est confidentiel et ne doit pas être reproduit ou utilisé sans le consentement de EXM

| No. | Revisions | Date | By/Par |
|-----|-----------|------|--------|
|     |           |      |        |
|     |           |      |        |
|     |           |      |        |
|     |           |      |        |
|     |           |      |        |



|  |                          |   |
|--|--------------------------|---|
|  Tél: (450) 979-4373<br>Fax: (450) 979-4626<br><a href="http://www.exmweb.com">www.exmweb.com</a> |                          | Flatness<br>Aplatissement<br> Max 3.0mm<br>Projection<br> |
| Customer<br>Client   | Date                     |   |
| Drawn By<br>Dessiné Par  | BoxCad: Annie            | Date 29/01/2015   |
| Material<br>Matière  | 12 Ga Galvanized (2.5mm) |   |
| Color<br>Couleur   | Unpainted                | Finish<br>Fini Unpainted  |
| Description<br>6500 MXM 700mm x 800mm Back Inner Panel   |                          | Detail Rev.   |
| Part Number<br>Numéro Pièce  | <b>6500MXK070808BIP</b>  | Rev. 3  |
|  |                          | <b>0</b>  |

| Qty        | Part Number        | Rev | Description                                      |
|------------|--------------------|-----|--|
| 1          | STK-A-49005        | 0   | 6500MXM - Bottom Inner Panel Support Kit (Right) |
| 1          | STK-A-49000        | 0   | 6500MXM - Bottom Inner Panel Support Kit (Left)  |
| 1          | STK-A-49015        | 0   | 6500MXM - Top Inner Panel Support Kit (Right)    |
| 1          | STK-A-49010        | 0   | 6500MXM - Top Inner Panel Support Kit (Left)     |
| 1          | 6500MXK070808BIP-P | 0   | 6500 MXM 700mm x 800mm Back Inner Panel Part     |
| Parts List |                    |     |  |